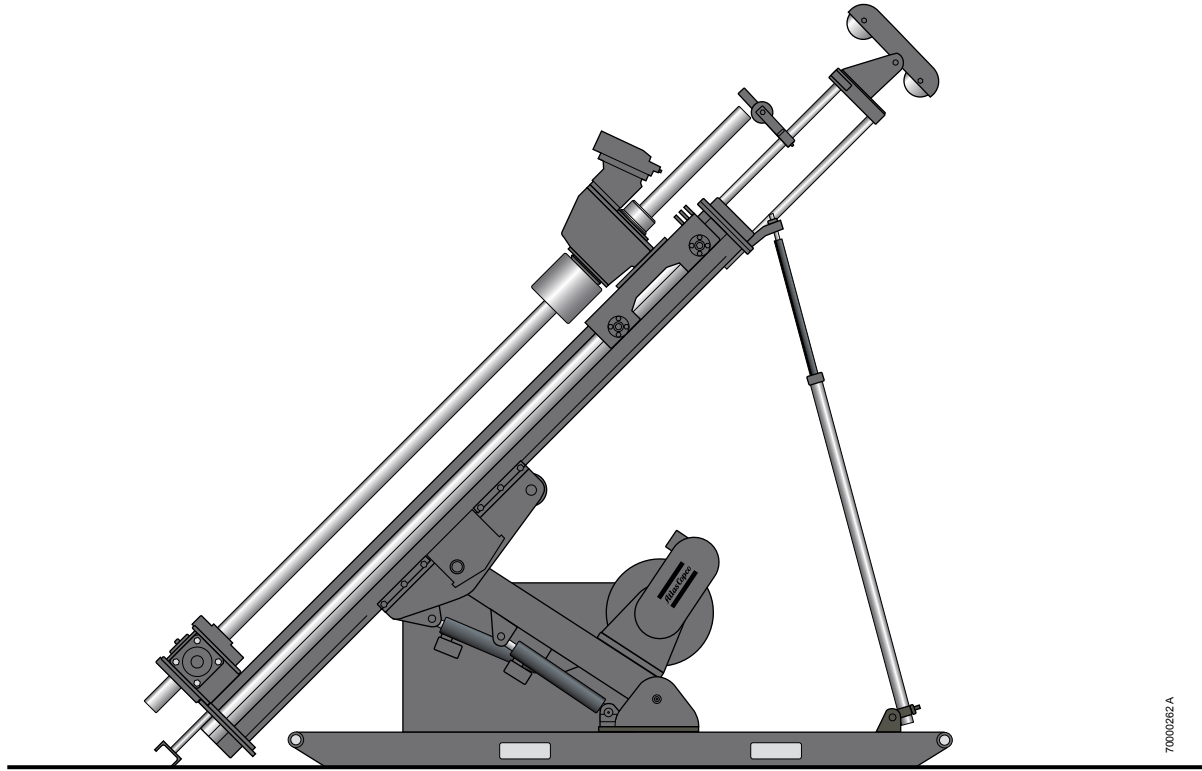


Atlas Copco Exploration Products

DIAMEC Diamond Core Drill



7000182 A

DIAMEC U6 PHC

Spare parts list



Contents

Diamec U6	9
Carrier complete	3719 0013 68 9
Turn table kit	3719 0002 07 11
Feed frame holder assembly	3719 0002 00 13
Positioner assembly	3719 0006 42 15
<i>Positioner assembly fitting kit</i>	3719 0006 46 17
<i>Cylinder</i>	3719 0000 47 19
<i>Valve, counter balance block</i>	3719 0004 73 21
Skid frame	3719 0001 60 23
<i>Backstay leg</i>	3719 0002 19 25
Feed frame	27
Feed frame complete 850 mm	3719 0061 30 27
Feed frame 850 assembly	3719 0001 22 29
<i>Feed frame fitting kit 850 mm</i>	3719 0005 99 31
<i>Feed cylinder 850 mm</i>	3719 0001 40 33
<i>Packing kit, feed cylinder 850 mm</i>	3719 0007 90 35
<i>Overhauling kit, feed frame 850 mm</i>	3719 0004 06 37
Hose ladder assembly 850 mm	3719 0006 45 39
Hose ladder 850 mm	3719 0013 50 41
<i>Hose ladder 850 mm hose kit A-N</i>	3719 0006 09 43
<i>Hose ladder fitting kit 850 mm</i>	3719 0006 14 45
Guard assembly 850 mm A-N	3719 0006 49 47
Guard assembly 850 mm B-H	3719 0011 82 49
Feed frame complete 1800 mm	3719 0061 32 51
Feed frame 1800 assembly	3719 0000 22 53
<i>Feed frame fitting kit 1800 mm</i>	3719 0006 29 55
<i>Cylinder 1800 mm</i>	3719 0000 00 57
<i>Packing kit, feed cylinder 1800 mm</i>	3719 0003 75 59
<i>Overhauling kit, feed frame 1800 mm</i>	3719 0004 05 61
Hose ladder assembly 1800 mm	3719 0007 56 63
Hose ladder 1800 mm	3719 0004 76 65
<i>Hose ladder 1800 mm hose kit</i>	3719 0007 54 67
<i>Hose ladder fitting kit 1800 mm</i>	3719 0007 53 69
Guard assembly 1800 mm	3719 0002 58 71
Feed frame complete 1800 mm DH	3719 0061 33 73
Feed frame 1800 DH assembly	3719 0003 44 75
<i>Cylinder 1800 mm DH</i>	3719 0002 88 77
<i>Packing kit, feed cylinder 1800 mm DH</i>	3719 0005 37 79
<i>Overhauling kit, feed frame 1800 mm DH</i>	3719 0004 02 81

Contents

Hose ladder assembly 1800 mm DH.	3719 0052 3483
<i>Hose ladder 1800 mm DH V14 hose kit.</i>	3719 0049 5185
Guard assembly 1800 mm DH	3719 0011 2087
Hose ladder 850-1800 mm B-H hose kit	3719 0060 9789
Cradle assembly cast.	3719 0061 2191
Overhaul kit cradle cast.	3719 0004 0893
Rod holder assembly	3719 0001 1295
<i>Rod holder insert</i>	3719 0000 9697
<i>Rod holder fitting kit</i>	3719 0006 0399
<i>Gas spring kit</i>	3719 0000 88101
E-stop kit	3719 0019 61103
Top pulley	3719 0001 93105
Standard wall bracket assembly	3719 0002 17107
Rotation unit			109
Rotation unit A-N Basic 60cc complete	3719 0068 62109
Rotation unit A-N Basic 60 cc	3719 0068 61111
Rotation unit A-N Basic 80 cc complete	3719 0068 53116
Rotation unit A-N, Basic 80 cc.	3719 0068 52118
Overhaul kit bushing rotation unit A-N.	3719 0068 63123
Packing kit bushing rotation unit A-N.	3719 0068 64125
Upgrade kit bushing rotation unit A-N	3719 0068 65127
Rotation unit B-H Basic 110 cc complete	3719 0066 91129
Rotation unit B-H, Basic 110 cc.	3719 0066 92131
Rotation unit B-H Basic 160 cc complete	3719 0064 78136
Rotation unit B-H, Basic 160 cc.	3719 0064 79138
Control system			143
Hydraulic pilot system STD.	3719 0006 16143
Pilot panel PHC U6	3719 0006 17145
Hydraulic pilot system DH.	3719 0008 33149
Pilot panel PHC U6 DH	3719 0011 39151
Joystick 4-ports	3719 0008 47155
Joystick 2-ports	3719 0008 48157
Valve assembly U6 PHC.	3719 0008 39159
<i>Pressure filter, spare parts kit.</i>	3719 0004 46165
PU - Rig hose kit.	3719 0006 07167
Water control kit, PHC	3719 0037 69169
Winch			171
W-L winch 1300 kit, JIC	3719 0015 31171
Wire Line DH hoist assembly	3719 0063 62173
W/L 1000 hose kit	3719 0006 08177

<i>Top pulley</i>	3719 0001 71	179
Option		181
Bracing device (support jacks)	3719 0027 94	181
Option		183
Bracing device kit.	3719 0056 03	183
Keyhole wall bracket A-N rotation	3719 0002 18	185
Keyhole wall bracket B-H rotation	3719 0067 71	187
Water collector	3719 0032 45	189
Bracket for casing clamp.	3719 0006 23	191
Wireline sheave for steep uphole	3719 0003 93	193
Wheel kit rig	3719 0041 71	195
Dimension rel. kits		197
A jaw & guide kits	3719 00xx xx	197
A jaw & guide kit 43mm, A-N rot.	3719 0052 80	198
A jaw & guide kit 44mm, A-N rot.	3719 0068 30	198
Jaw & guide kit 45mm, A-N rot.	3719 0052 81	198
Jaw & guide kit 50mm, A-N rot.	3719 0052 82	198
B jaw & guide kit 53mm, A-N rot.	3719 0052 83	198
B jaw & guide kit 55mm, A-N rot.	3719 0052 84	198
Jaw & guide kit 64mm, A-N rot.	3719 0062 05	199
N Jaw & guide kit 70mm, A-N rot.	3719 0052 85	199
B jaw & guide kit 54mm, N-H rot. Unit	3719 0053 81	199
N jaw & guide kit 70mm, N-H rot. Unit	3719 0053 83	199
H jaw & guide kit 89mm, N-H rot. Unit	3719 0053 84	199

English

To be read before ordering

- 1 When ordering spare parts, please state Description and part number of the spare part (not the Ref. no.) as well as drill type designation and serial number.
- 2 Parts which are included in a subassembly are given immediately after this part and are preceded by a dash in the description column.

Symbols that may occur:

- *) Placed instead of part number in part number column, means that the indicated part is normally not Delivered separately. Can be ordered as a kit, see point 2.
- ***) Optional
- A) When ordering, please state part number, hose dimension and length.
- B) See separate list according to the List of contents.

Deutsch

Vor der Ersatzteilbestellung lesen

- 1 Bei der Ersatzteilbestellung bitte die Teilbenennung und die Ersatzteilnummer (10-stellig), Ausführungstyp und Seriennummer der Maschine angeben.
- 2 Teile, die einer Montagegruppe angehören sind unmittelbar danach aufgegliedert und durch einen Strich in der Spalte "Bezeichnung" gekennzeichnet.

Verwendete Symbole:

- *) Ein Sternchen anstelle einer Teilnummer bedeutet, daß das so gekennzeichnete Teil normalerweise gesondert geliefert wird. Kann auch im Set bestellt werden, siehe Punkt 2.
- ***) Auf Sonderwunsch lieferbar.
- A) Bei Bestellung bitte Teilnummer und Schlauchgröße, -länge, -durchmesser usw. angeben.
- B) Siehe separate Liste.

Svenska

Läs detta innan du beställer reservdelar

- 1 Ange artikelns namn och detaljnummer (inte bara Ref. nr.) och även maskinens typ- och serienummer vid beställning av reservdelar.
- 2 Delar som ingår i huvudartikeln nämns efter denna och föregås av ett streck i "Beskrivningskolumnen".

Teckenförklaring:

- *) Ersätter detaljnummer, vilket innebär att detaljen vanligtvis inte levereras separat utan ingår i en sats, se punkt 2.
- ***) Extra utrustning
- A) Ange detaljnummer, slangdimension och längd.
- B) Se innehållsförteckningen.

Français

Information pour la commande

- 1 Prière de spécifier la description et le numéro de la pièce (et non sa référence) ainsi que la designation de type et le numéro de série de la machine ou de l'unité.
- 2 Les pièces faisant partie d'un sous-ensemble partiel sont indiquées immédiatement après celui-ci et sont précédées d'un tiret dans la colonne de la description.

Symboles utilisés:

- *) Placé au lieu du numéro de pièce, dans la colonne du numéro de pièce, pour indiquer que la pièce n'est normalement pas livrée séparément. Voir point 2 pour savoir si la pièce est également livrée en kit.
- ***) Option.
- A) Lors de la commande, prière de spécifier le numéro de pièce ainsi que la longueur et les dimensions du flexible.
- B) Voir a liste séparée selon Sommaire.

Español**Considerar antes de hacer un pedido**

- 1 Al solicitar piezas de repuesto, sirvase indicar la designación y el número de la pieza (No su número de referencia) así como el tipo de maguina y número de serie.
- 2 Las piezas que forman parte de un subconjunto vienen relacionadas inmediatamente después del subconjunto y vienen precedidas de un guión.

Indicacion de los simbolos:

- *) Colocados en lugar número de la pieza significa que la pieza indicada no se suministra separadamente. Se puede pedir como parte de juego. Ver punto 2 arriba.
- ***) Opcional
- A) Cuando efectue el pedido, indicar la designación de la pieza y el diámetro de la manguera, longitud, etc.
- B) Ver en lista a parte de acuerdo con la relación de contenido.

Italiano**Leggere prima di ordinare**

- 1 Quando ordinate un ricambio, per favore indichiate "Description", "part number" ma non il "Ref. no." e, possibilmente, modello e numero di serie della macchina.
- 2 I ricambi che sono inclusi in un sottoinsieme sono elencati immediatamente dopo questa parte e sono preceduti da un trattino nella colonna "Description".

Simbolo utilizzati:

- *) Collocato, in sostituzione del "part number" nell' apposita colonna indica che quel ricambio normalmente non è consegnabile separatamente. Può essere ordinato solo in un kit, vedi punto 2.
- ***) Accessorio
- A) Trattandosi di flessibili idraulici, preghiamo specificare, oltre al "part number", anche dimensioni e lunghezza.
- B) Consultare la lista specifica facendo riferimento all' indice.

Português**Leia antes de encomendar**

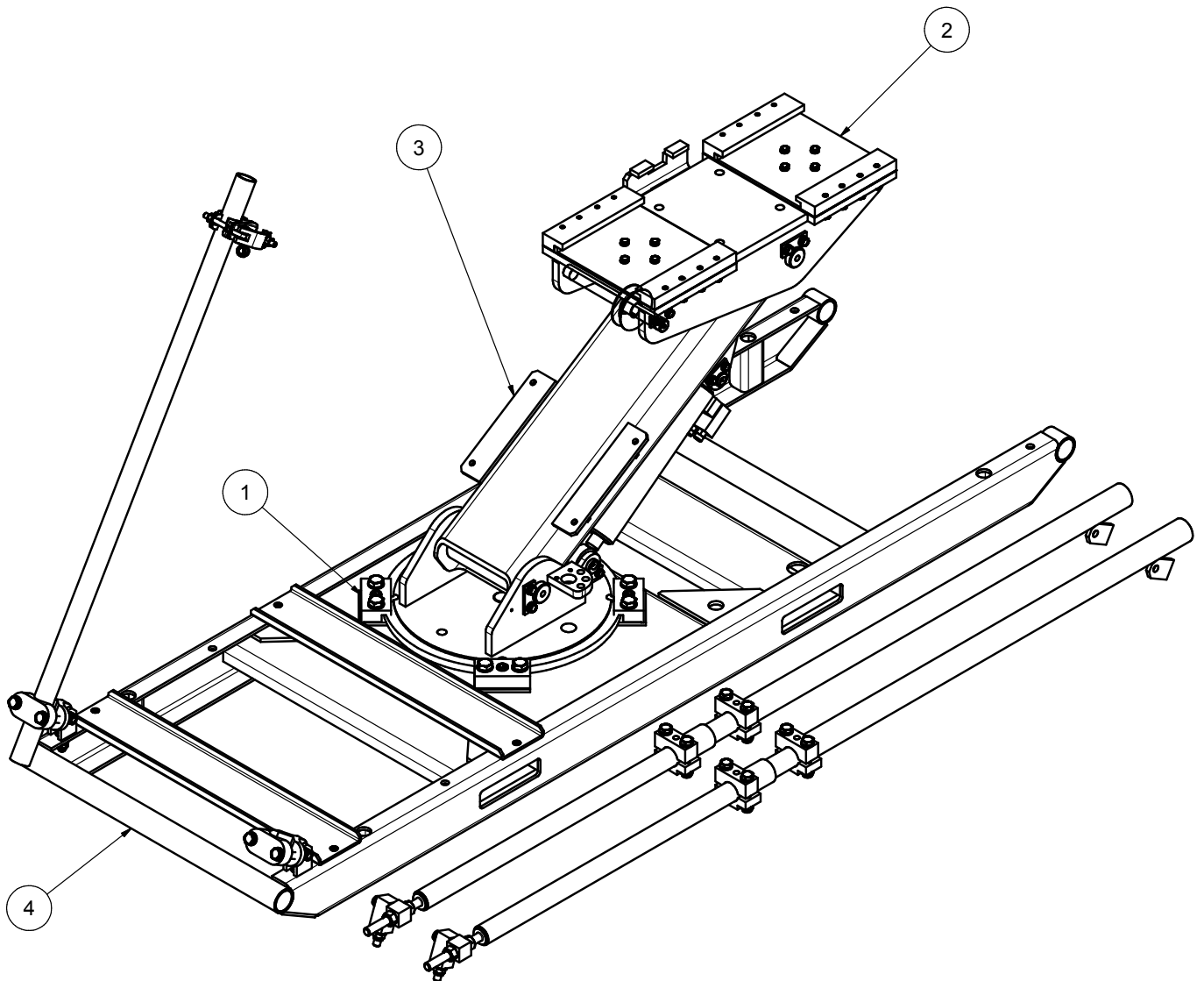
- 1 Quando efectuar um pedido de peças, indique a sua designação e o número da peça (e não a sua referência) bem como o tipo de máquina a que se destinam e o seu número de série.
- 2 As peças que fazem parte de um conjunto são indicadas imediatamente após esse conjunto e são precedidas por um traço, na coluna à sua descrição.

Simbolos utilizados:

- *) Colocado na coluna das referências significa que peça não é fornecida separadamente. A peça deverá fazer parte de um conjunto. Leia ponto 2.
- ***) Opcional.
- A) Quando efectuar o pedido, indique a designação da peça e o diâmetro da mangueira, comprimento.
- B) Consulte a lista em anexo, conforme mencionado no conteúdo.

Diamec U6

Carrier complete

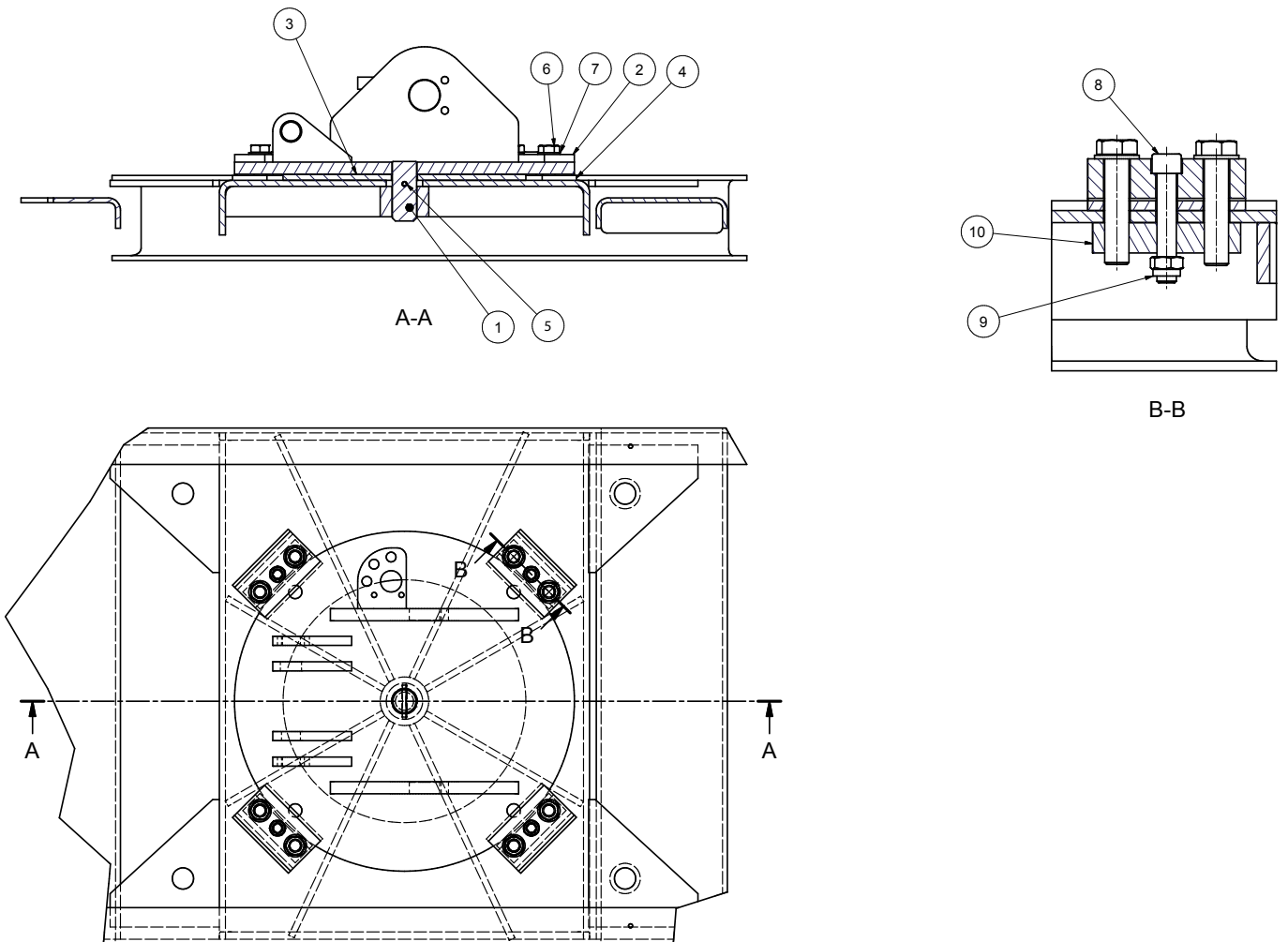
3719 0013 68

Spare parts list

3719 0013 68 Carrier complete				
Pos. No.	Part number	Quantity	Description	Remark
-	3719 0002 07	1	Turn table kit	
-	3719 000 200	1	Feed frame holder assembly	
-	3719 0006 42	1	Positioner assembly, jic	
-	3719 0001 60	1	Skid frame	

Feed frame

Turn table kit

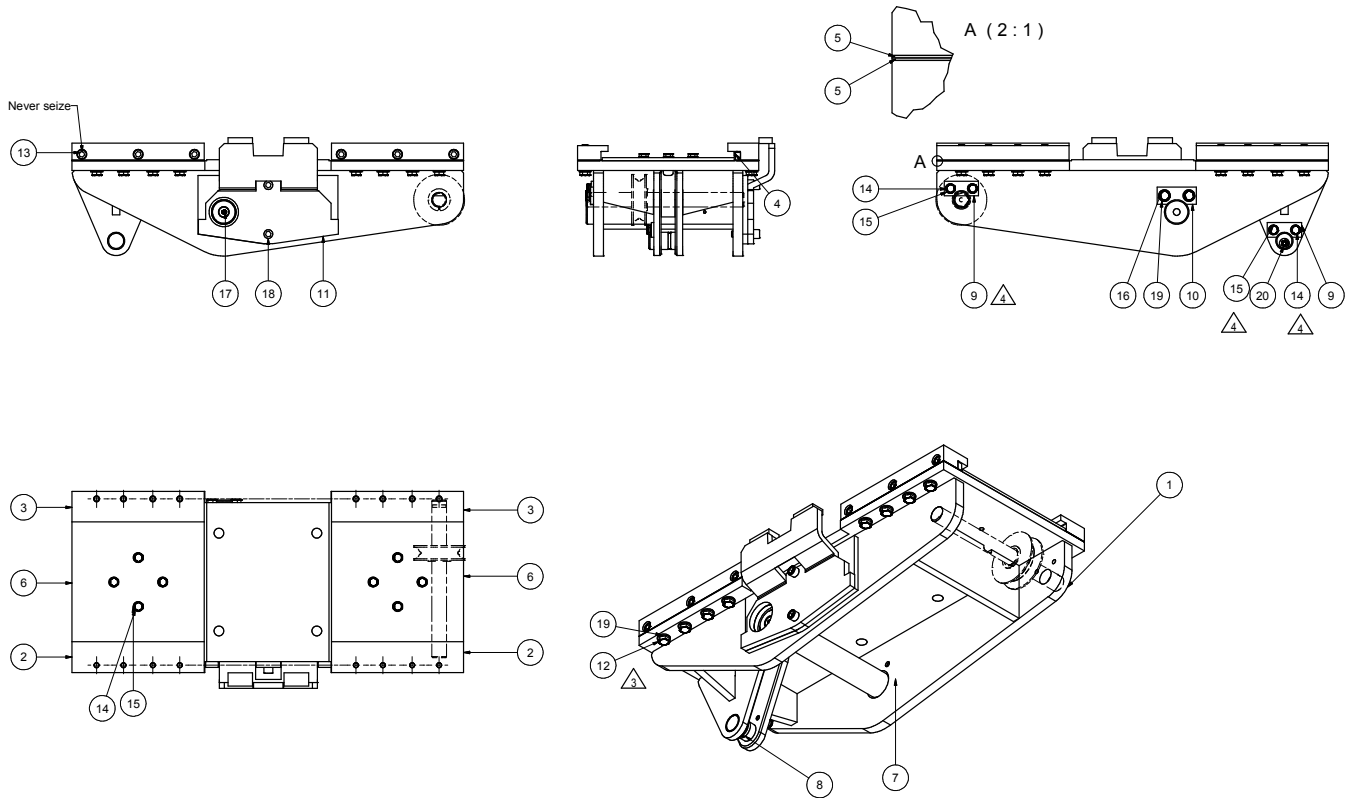
3719 0002 07

Spare parts list

3719 0002 07 Turn table kit				
Pos. No.	Part number	Quantity	Description	Remark
1	3719 0002 10	1	Pin	
2	3719 0002 11	4	Clamp	
3	3719 0002 12	1	Liner	
4	3719 0002 13	4	Spacer	
5	0108 1364 00	1	Spring pin	FRP 8 x 55 DIN1481
6	0147 1559 03	8	Screw	M6S 20 x 90
7	0300 0274 13	8	Washer	BRB 21 x 37 x 3 ISO 7089
8	0211 1487 03	4	Cap screw	MC6S16 x 90-8.8 FZB
9	0291 1114 00	4	Lock nut	M16 LM6M DIN 985-6 FZB
10	3719 0002 14	4	Tapped plate	

Feed frame

Feed frame holder assembly

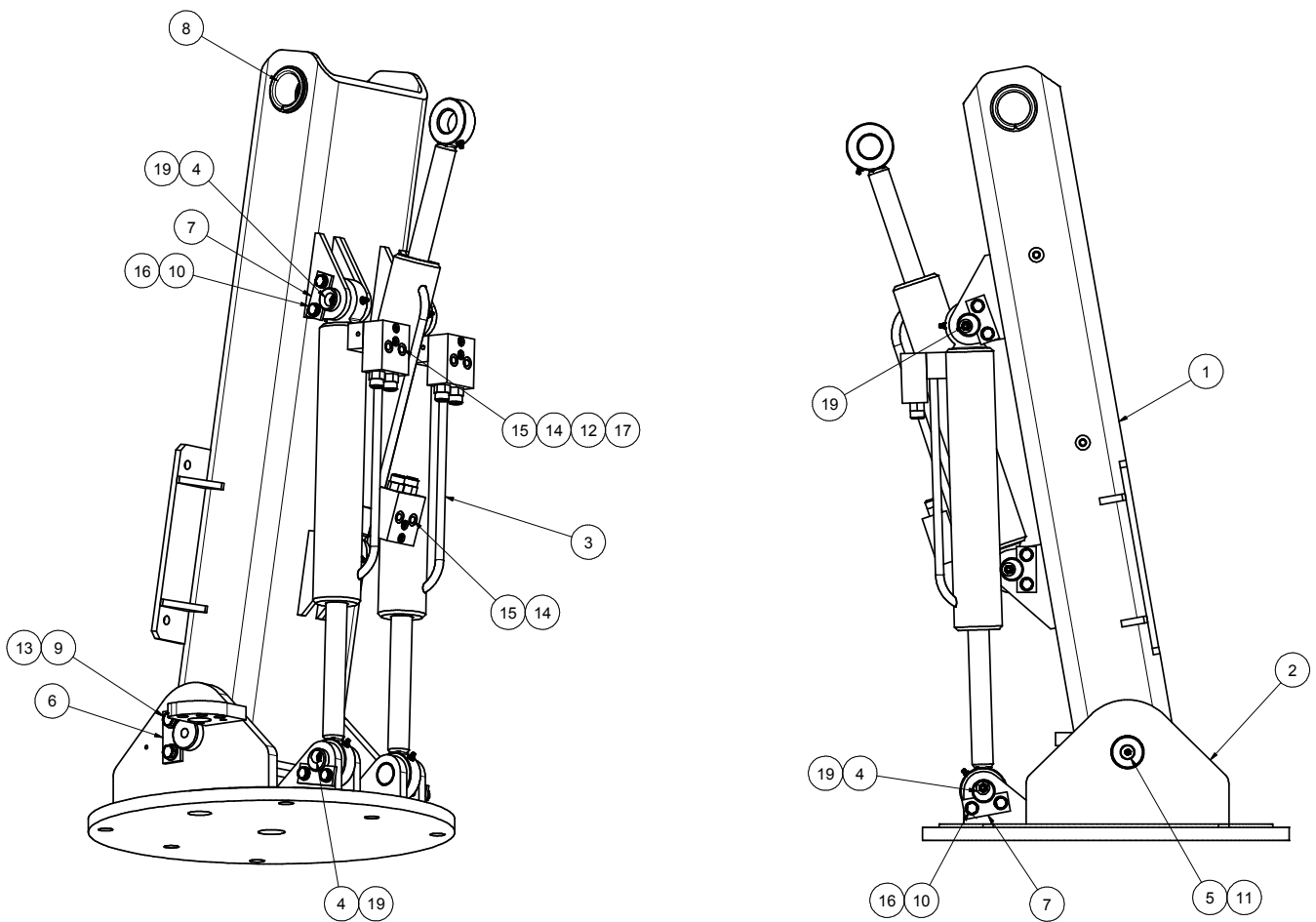
3719 0002 00


Spare parts list

3719 0002 00 Feed frame holder assembly				
Pos. No.	Part number	Quantity	Description	Remark
1	3719 0000 49	1	Feed frame holder	B
2	3719 0000 71	2	Clamp	
3	3719 0000 72	2	Clamp	
4	3719 0000 73	2	Key	
5	3719 0000 74	8	Shim	
6	3719 0000 75	2	Liner	
7	3719 0000 51	1	Pin	
8	3719 0017 14	1	Pin	
9	9110 4756 00	2	Securing plate	
10	3217 6359 00	1	Securing plate	
11	3719 0011 58	1	Dump bracket	
12	0147 1960 69	16	Screw	HEX HEAD SCREW
13	3719 0049 60	6	Screw	MODIFIED MC6S M12x35
14	0147 1360 03	12	Screw	M6S 10 x 20
15	0301 2344 00	12	Washer	BRB 10.5 x 20 x 2
16	0147 1400 03	2	Screw	M6S 12 x 25
17	0544 1106 00	1	Lub. Nipple	M6 SMS 1567
18	0211 1404 03	2	Cap screw	MC6S 12 x 45 8.8
19	0301 2364 00	18	Washer	BRB 13.5 x 24 x 2 FZB
20	0544 1100 12	1	Lub. Nipple	H1 M10 X 1

Diamec U6

Positioner assembly

3719 0006 42

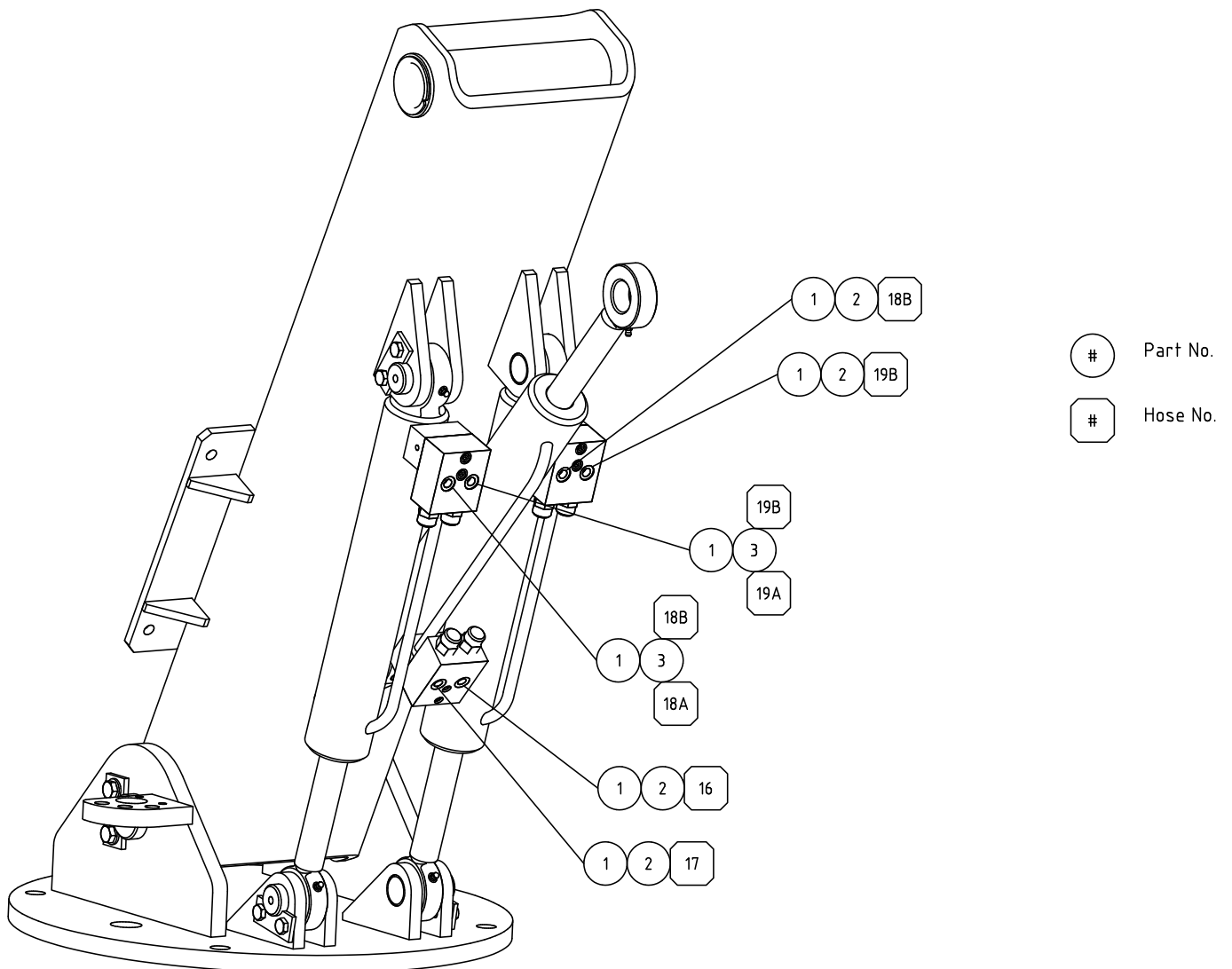
Spare parts list

3719 0006 42 Positioner assembly				
Pos. No.	Part number	Quantity	Description	Remark
1	3719 0000 50	1	Positioner arm	
2	3719 0000 53	1	Base plate	
3	3719 0000 47	3	Hydraulic cylinder	(B)
4	3719 0017 14	5	Pin	
5	3719 0000 51	1	Pin	
6	3217 6359 00	1	Securing plate	
7	9110 4756 00	5	Securing plate	
8	0500 4500 33	4	Radial bearing flange	
9	0147 1400 03	2	Screw	M6S 12 x 25
10	0147 1360 03	10	Screw	M6S 10 x 20
11	0544 1106 00	1	Lub. Nipple	M6 SMS 1567
12	3719 0006 46	1	Positioner fitting kit	(B)
13	0301 2358 00	2	Washer	BRB 13 x 24 x 2.5
14	0211 1252 03	6	Cap screw	MC6S 6 x 40 8.8 fzb
15	3719 0004 73	3	Valveblock, dual cb alu	(B)
16	0301 2344 00	10	Washer	BRB 10.5 x 20 x 2
17	3719 0007 36	1	Positioner hose kit jic	
19	0544 1100 12	5	Lub. Nipple	H1 M10 X 1

Diamec U6

Positioner assembly fitting kit

3719 0006 46



Spare parts list

3719 0006 46 Positioner assembly fitting kit				
Pos. No.	Part number	Quantity	Description	Remark
1	3176 6348 00	6	Nipple	UN 9/16 x R 1/4
2	3715 0584 00	4	Elbow	UN 9/16xUN 9/16
3	3176 5428 00	2	Tee	UN 9/16" x UN 9/16"
18A	-	-	Hose	See Hydraulic Diagram
18B	-	-	Hose	See Hydraulic Diagram
19A	-	-	Hose	See Hydraulic Diagram
19A	-	-	Hose	See Hydraulic Diagram

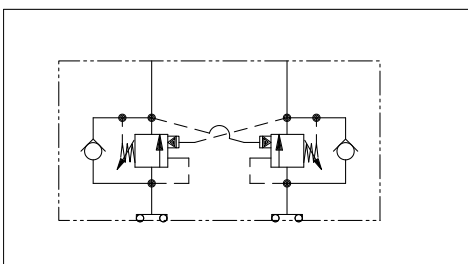
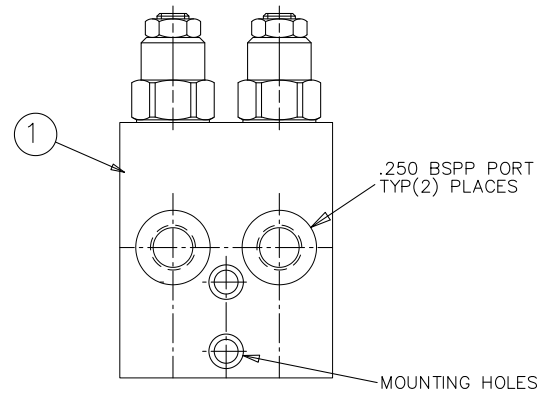
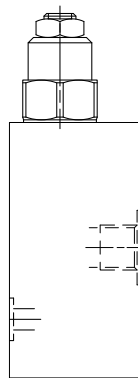
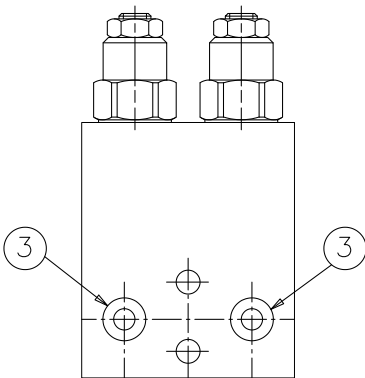
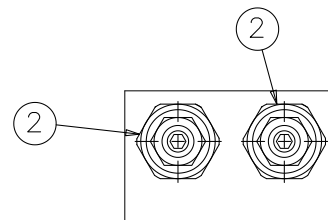
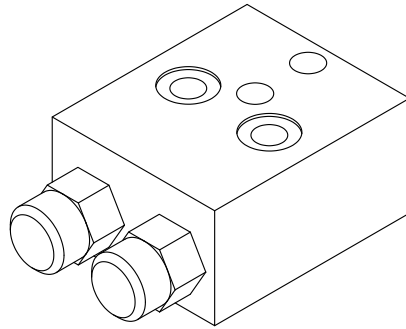
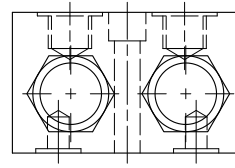
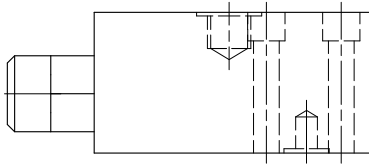
Spare parts list

3719 0000 47 Cylinder				
Pos. No.	Part number	Quantity	Description	Remark
-	3719 0003 76		Packing kit, hydraulic cylinder	
-	3719 0004 73		Valve, counter balance block	
1	-	1	Wiper	32 / 42 x 7 x 10
5	-	1	Support ring	53 / 63 x 1.7
6	-	1	O-ring	52.2 x 5.7
7	-	1	Piston seal	32 / 40 x 9
10	-	1	O-ring	19.2 x 3.0
12	-	1	Piston rod	63 / 52 x 4.2
13	-	1	Support ring	63 / 58 x 9.7
14	-	2	Bushing	35 / 39 x 25
16	-	1	Support ring	32 / 36 x 9.6
-	-	1	Loctite	

Diamec U6

Valve, counter balance block

3719 0004 73



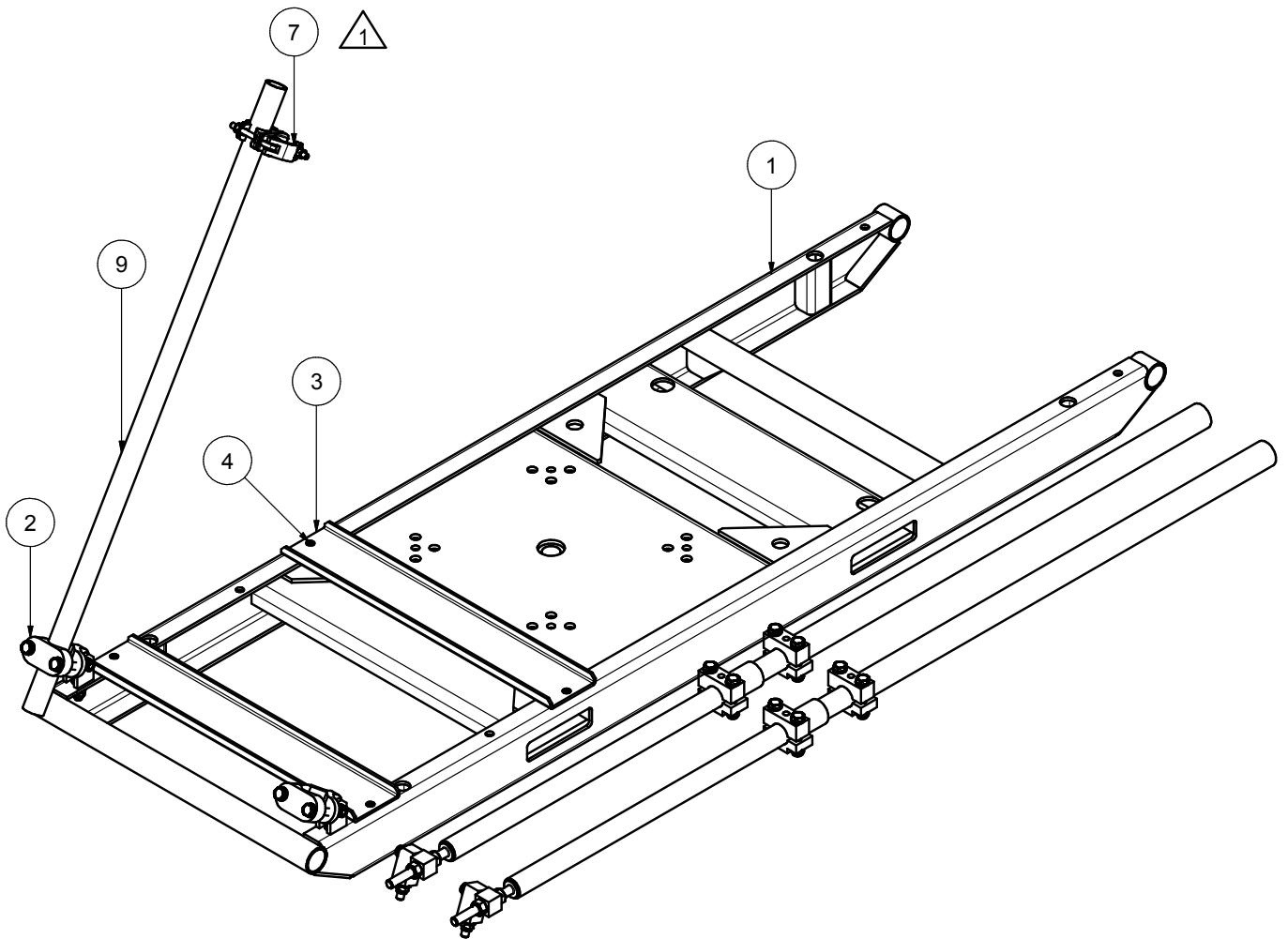
CIRCUIT

Spare parts list

3719 0004 73 Valve, counter balance block				
Pos. No.	Part number	Quantity	Description	Remark
1	-	1	Body	
2	3719 0005 81	2	Valve, counter balance	
3	0663 9050 00	2	O-ring	

Diamec U6

Skid frame

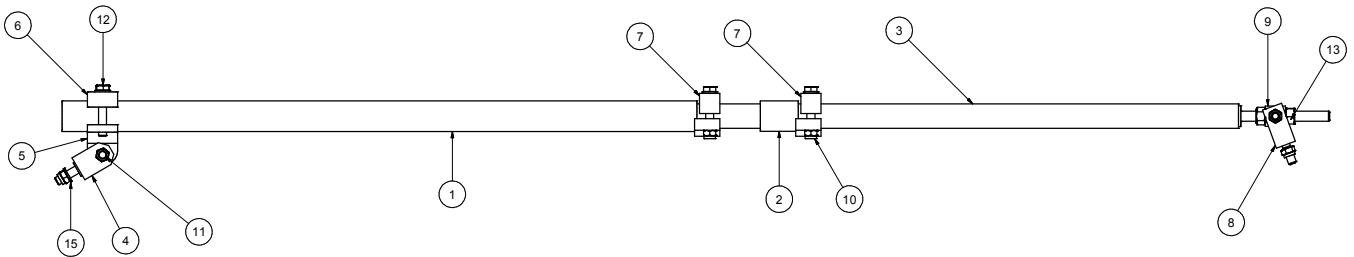
3719 0001 60

Spare parts list

3719 0001 60 Skid frame				
Pos. No.	Part number	Quantity	Description	Remark
1	3719 0000 78	1	Skid	
2	3719 0002 19	2	Back stay leg	(B)
3	3719 0009 99	2	Support	
4	0216 1957 48	4	Cap screw	MF6S M8 x 20 8.8 FZB
7	3715 3496 00	1	Clamp	49 x 49
8	3719 0014 66	1	Warning sign for transport	BRACKETS
9	3719 0004 45	1	Pipe extension	(1,5m)

Diamec U6

Backstay leg

3719 0002 19

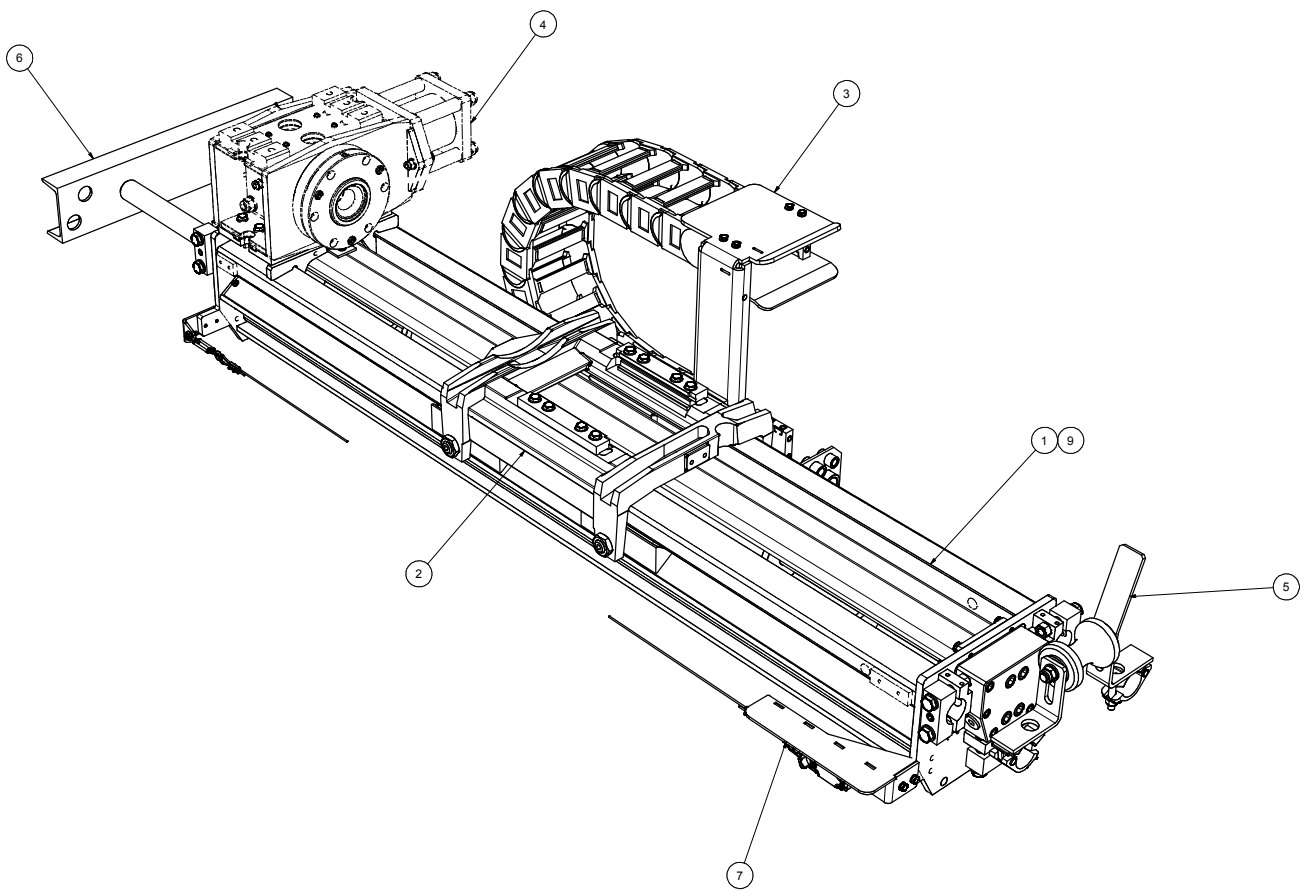
Spare parts list

3719 0002 19 Backstay leg				
Pos. No.	Part number	Quantity	Description	Remark
1	3719 0002 20	1	Stay	
2	3719 0002 21	1	Stay	
3	3715 6980 00	1	Stay	
4	3715 3469 00	1	Fork	
5	3715 6086 00	1	Clamp	
6	3715 6165 00	1	Clamp	
7	3719 0002 05	2	Clamp	
8	3715 6983 00	1	Leg support	
9	3715 6985 00	1	Leg support	
10	0291 1114 00	8	Lock nut	M16 LM6M DIN 985-6 FZB
11	0147 1481 03	1	Screw	M6S 16 x 60
12	0147 1487 03	6	Screw	M6S 16 x 90
13	0266 2116 00	2	Hex. Nut	M6M M20
15	0301 2378 00	8	Washer	BRB 17 x 30 x 3
15	0301 2378 00	4	Washer	BRB 17 x 30 x 3

Feed frame

Feed frame complete 850 mm

3719 0061 30



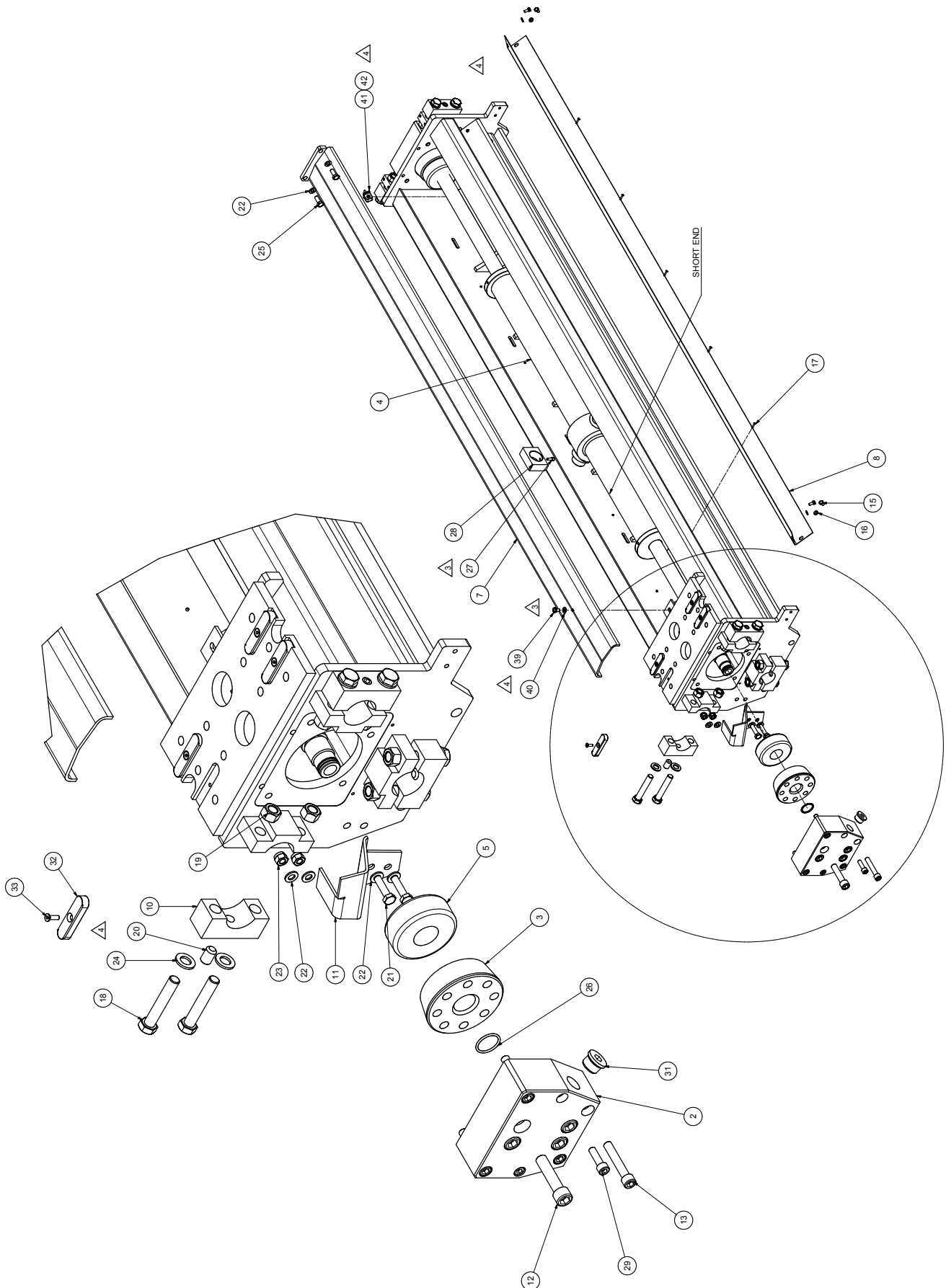
Spare parts list

3719 0061 30 Feed frame complete 850 mm				
Pos. No.	Part number	Quantity	Description	Remark
1	3719 0001 22	1	Feed frame 850 assembly	(B)
2	3719 0061 21	1	Cradle assembly cast	(B)
3	3719 0006 45	1	Hose ladder assy, 850 mm, jic	(B)
4	3719 0001 12	1	Rod holder assembly	(B)
5	3719 0001 93	1	Rod pulley	(B)
6	3719 0002 17	1	Standard wall bracket assembly	(B)
7	3719 0019 61	1	E-stop kit	(B)
8	3719 0006 03	1	Rod holder fitting kit jic	(B)
9	3719 0005 99	1	Feed frame 850 fitting kit jic	(B)

Diamec U6

Feed frame 850 assembly

3719 0001 22

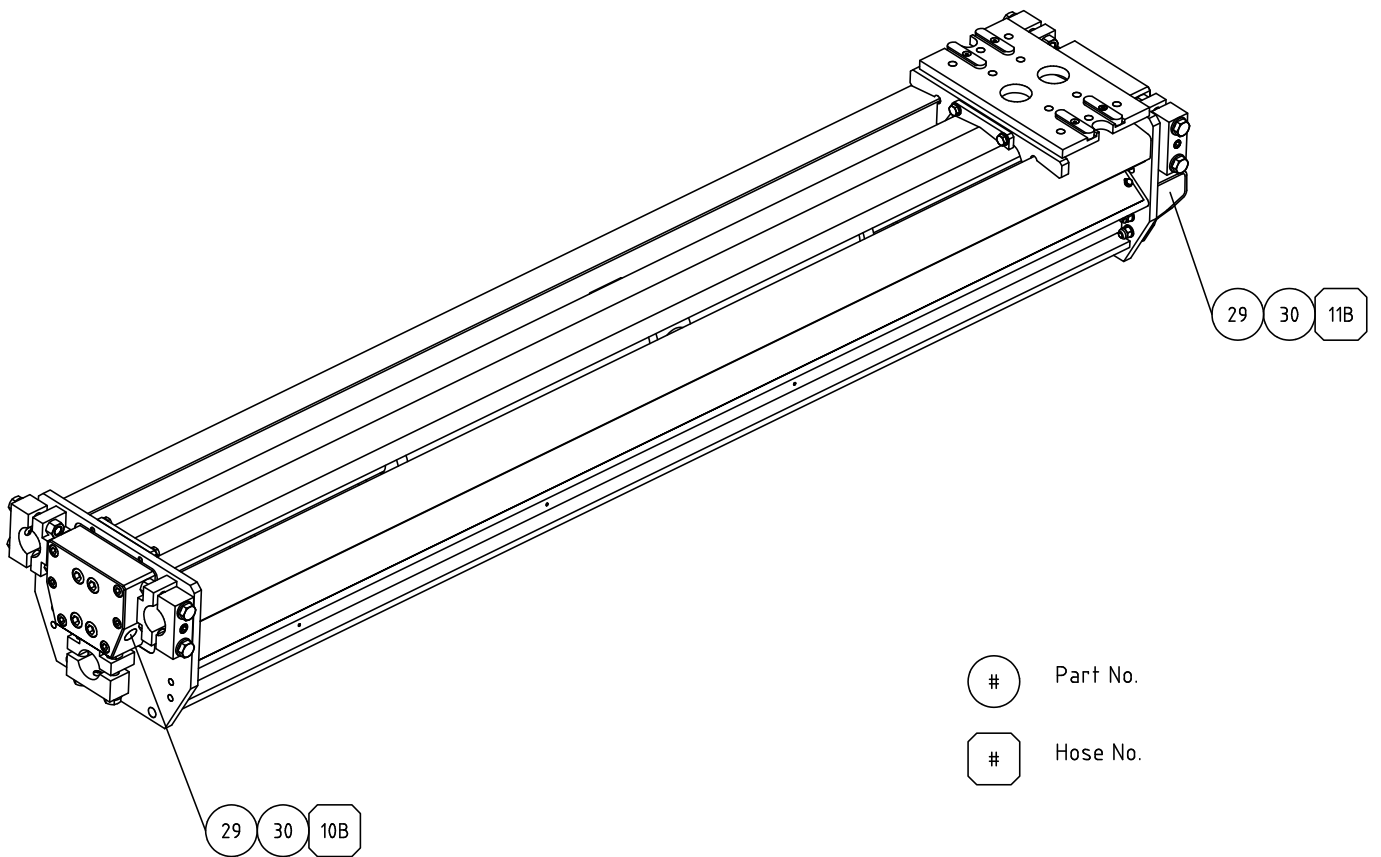


Spare parts list

3719 0001 22 Feed frame 850 assembly				
Pos. No.	Part number	Quantity	Description	Remark
1	3719 0041 32	1	Feed beam 850	
2	3719 0000 23	2	Endplate	
3	3719 0000 24	2	Lock nut	
4	3719 0001 40	1	Feed cylinder 850	(B)
5	3719 0000 32	2	End cushion	
7	3719 0041 33	1	Cylinder cover 850	
8	3719 0001 41	2	Wear liner 850	
10	3719 0002 05	6	Clamp	
11	3719 0001 85	1	Nipple protection	
12	0211 1483 03	8	Cap screw	MC6S16 x 70-8.8 FZB din 912
13	0211 1409 03	8	Cap screw	MC6S 12 x 70 8.8 FZB DIN912
15	0147 1244 03	8	Screw	M6S 6 x 12
16	0301 2321 00	8	Washer	BRFB 6.4 x 12.5 x 1.5
17	0129 3151 00	10	Blind rivet	ST/ST 3.2 x 15,4
18	0147 1487 03	12	Screw	M6S 16 x 90
19	0266 2114 00	12	Hex. Nut	M6M M16
20	0196 1474 00	6	Set screw	SK6SS 16 x 25
21	0147 1365 03	2	Screw	M6S 10 x 40
22	0301 2344 00	6	Washer	BRB 10.5 x 20 x 2
23	0291 1128 20	2	Lock nut	M10 8 fzb ISO 7040
24	0301 2378 00	12	Washer	BRB 17 x 30 x 3
25	0147 1362 03	2	Screw	M6S 10 x 25 ISO 4017
26	0663 2130 00	2	O-ring	32.2 x 3 70 Grader
27	0211 1245 03	2	Cap screw	MC6S 6 x 14 FZB
28	3719 0000 27	2	Trunnion block	
29	0211 1364 03	4	Cap screw	MC6S 10 x 35 8.8
31	0686 3718 08	2	Plug	VSTI R 3/4-ED SYRAFAST
32	3719 0000 94	4	Key	
33	0216 1247 03	4	Cap screw	MF6S 6 x 20 10.9 FZB
39	0147 1320 03	1	Screw	M6S 8 x 12 Helgängad
40	0301 2335 00	1	Washer	BRB 8.4 x 16 x 1.6 SS
41	3719 0041 76	2	Cable clip	SELGA CLIP #1410321
42	0211 1207 03	2	Cap screw	

Feed frame

Feed frame fitting kit 850 mm

3719 0005 99

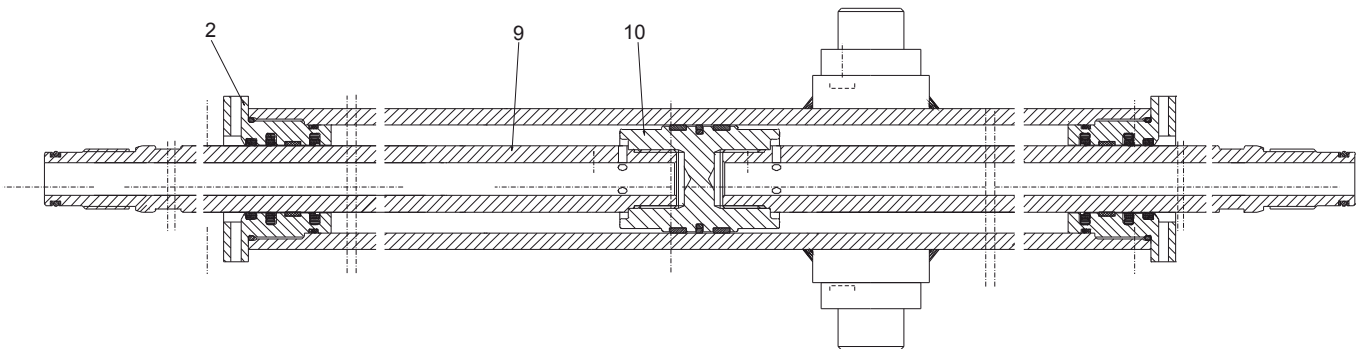
Spare parts list

3719 0005 99 Feed frame fitting kit 850 mm				
Pos. No.	Part number	Quantity	Description	Remark
29	3176 7757 00	2	Nipple	R 3/4 UN 1 1/16-12
30	3176 6499 00	2	BH union	1 1/16"
10B	-	-	Hose	See hydraulic diagram
11B	-	-	Hose	See hydraulic diagram

Diamec U6

Feed cylinder 850 mm

3719 0001 40

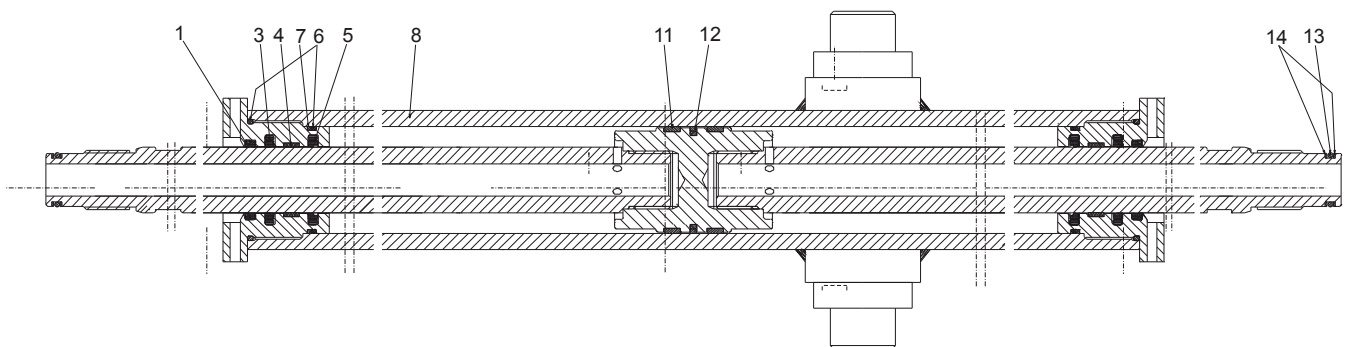


Spare parts list

3719 0001 40 Feed cylinder 850 mm				
Pos. No.	Part number	Quantity	Description	Remark
-	3719 0007 90	1	Packing kit, feed cyl 850	
10	3719 0014 98	1	Piston, fd cyl 1800, 850	
2	3719 0014 96	2	Cyl. Guide, fd cyl 850	
9	3719 0014 97	2	Piston rod, fd cyl 850	

Diamec U6

Packing kit, feed cylinder 850 mm

3719 0007 90

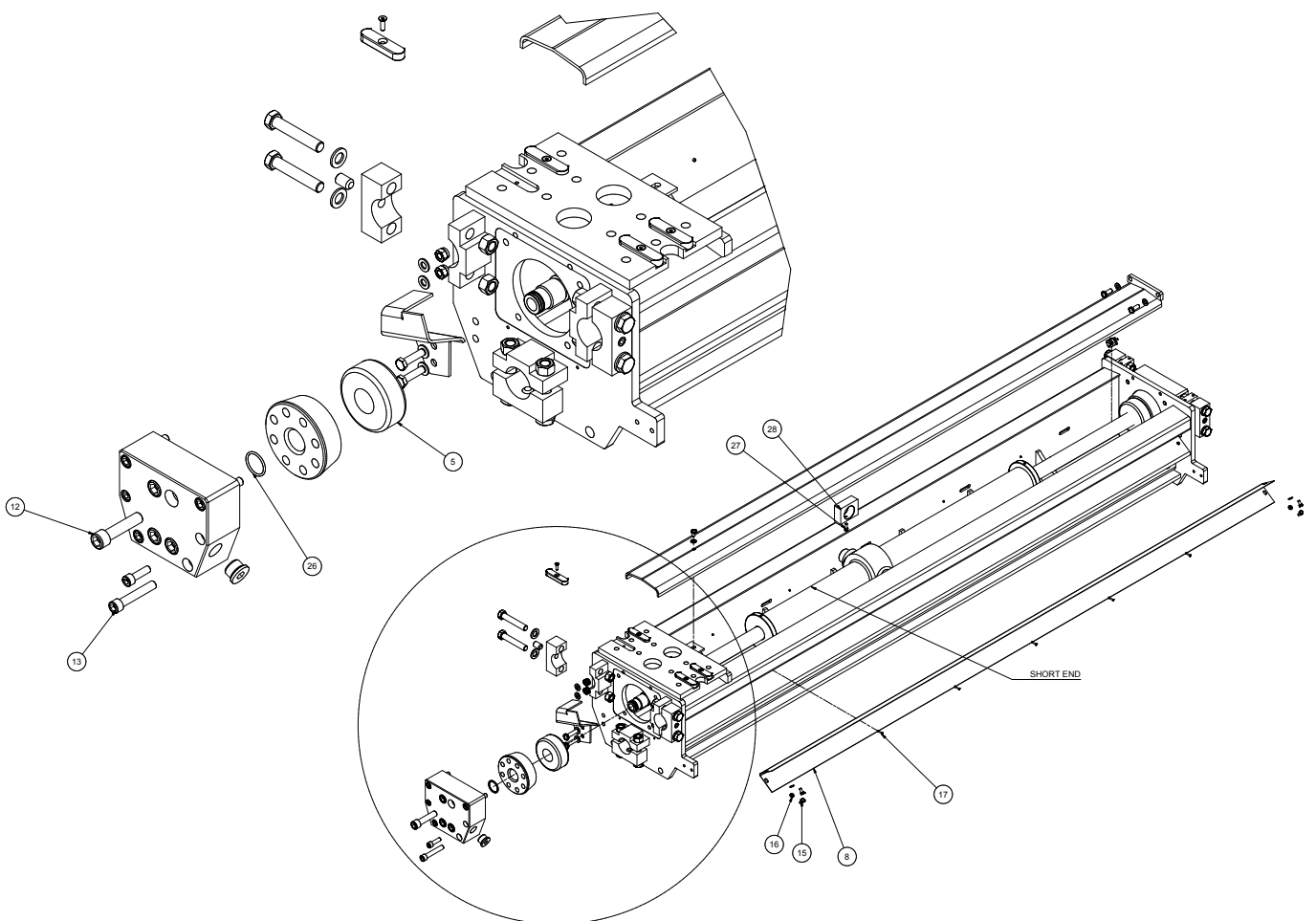
Spare parts list

3719 0007 90 Packing kit, feed cylinder 850 mm				
Pos. No.	Part number	Quantity	Description	Remark
1	-	2	Wiper	
3	-	2	Piston rod seal	
4	-	2	Support ring	
5	-	2	Piston rod seal	
6	-	4	O-ring	
7	-	2	Support ring	
11	-	2	Support ring	
12	-	1	Piston seal	
13	-	2	O-ring	
14	-	4	Support ring	

Diamec U6

Overhauling kit, feed frame 850 mm

3719 0004 06

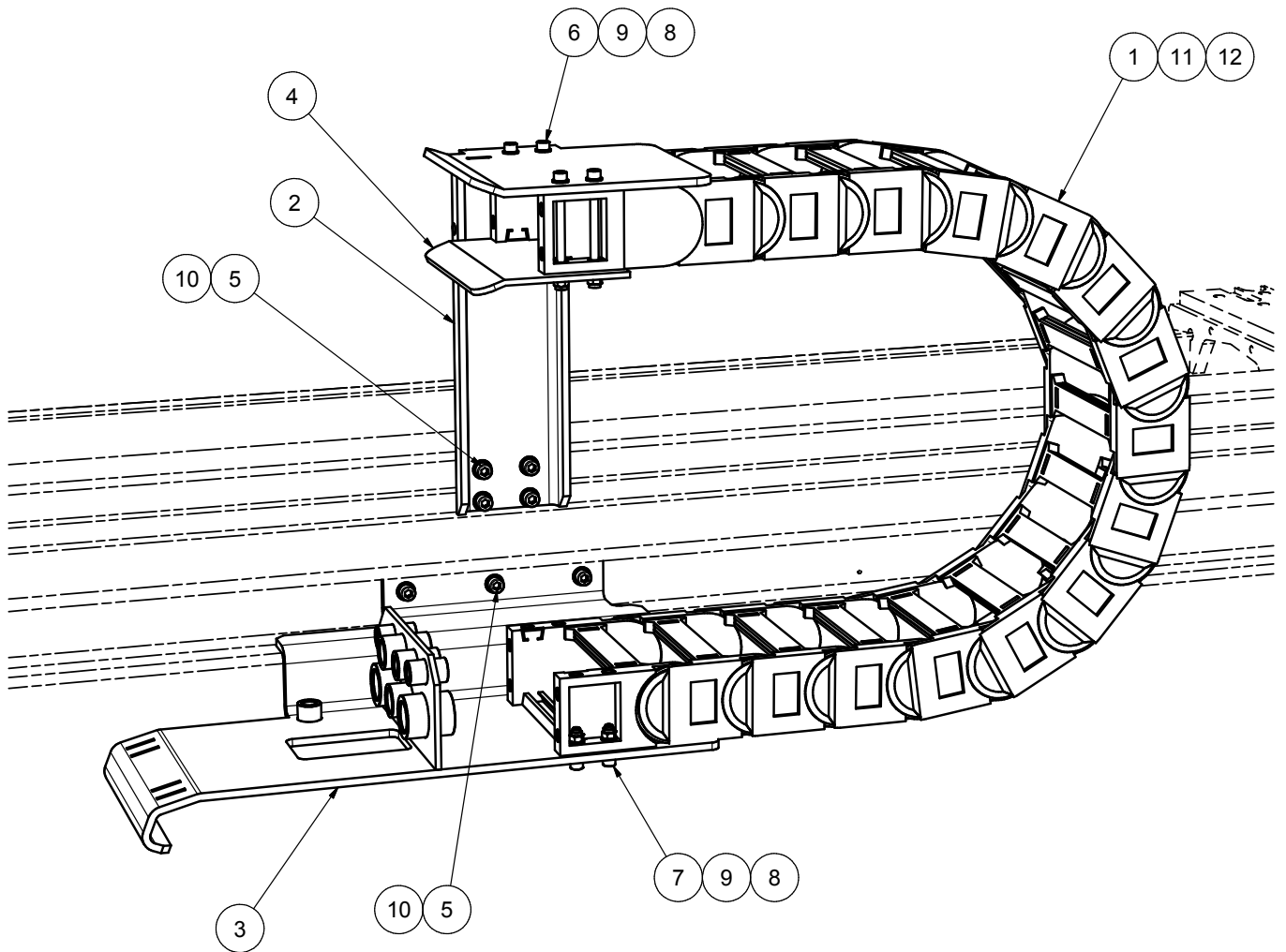


Spare parts list

3719 0004 06 Overhauling kit, Feed frame 850 mm				
Pos. No.	Part number	Quantity	Description	Remark
5	3719 0000 32	2	End cushion	
8	3719 0001 41	2	Wear liner 850	
12	0211 1483 03	8	Cap screw	MC6S16 x 70-8.8 FZB din 912
13	0211 1409 03	8	Cap screw	MC6S 12 x 70 8.8 FZB DIN912
15	0147 1244 03	8	Screw	M6S 6 x 12
16	0301 2321 00	8	Washer	BRFB 6.4 x 12.5 x 1.5
17	0129 3151 00	12	Blind rivet	ST/ST 3.2 x 15,4
26	0663 2130 00	4	O-ring	32.2 x 3 70 Grader
27	0211 1245 00	2	Cap screw	MC6S 6 x 14
28	3719 0000 27	2	Trunnion block	

Feed frame

Hose ladder assembly 850 mm

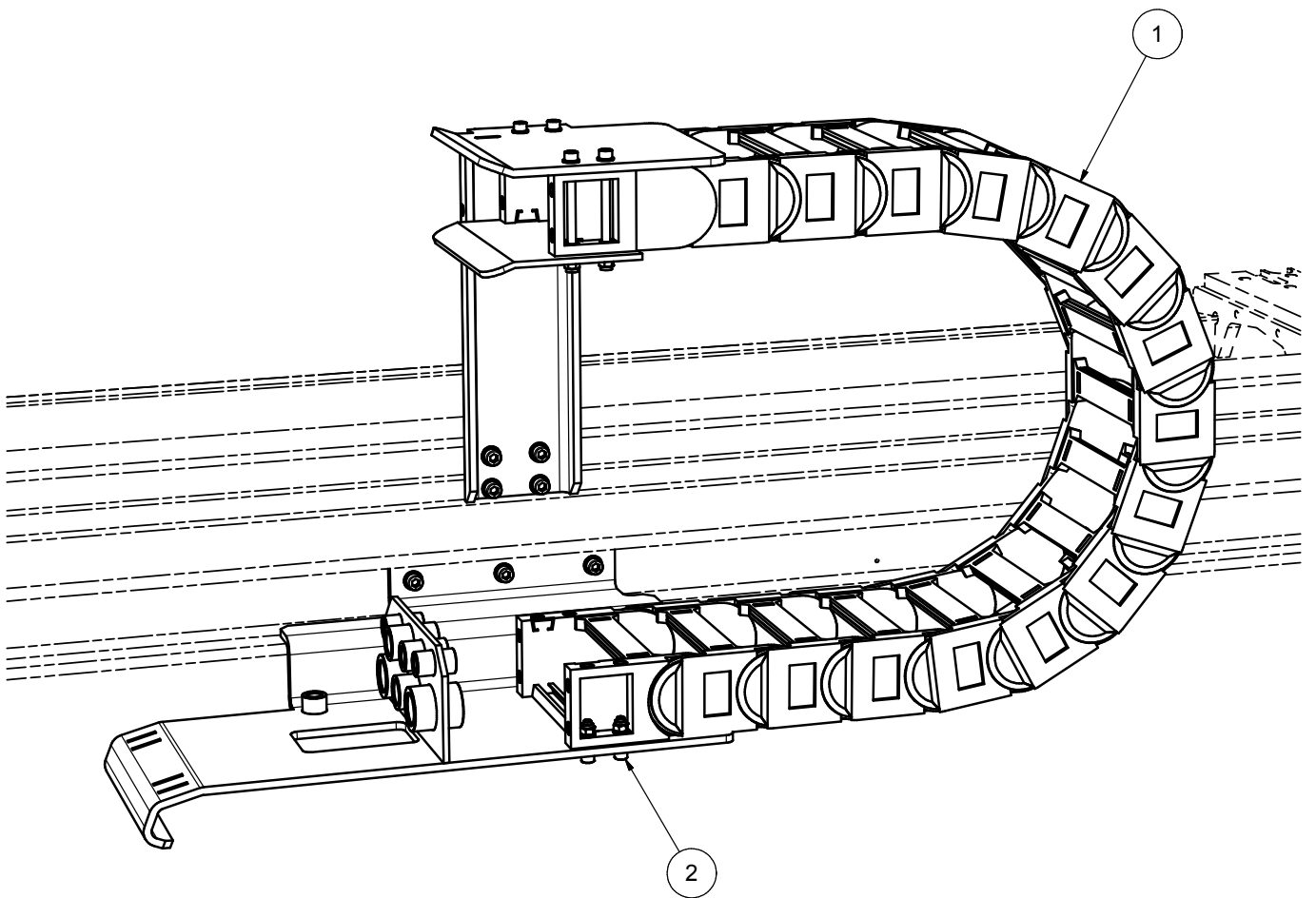
3719 0006 45

Spare parts list

3719 0006 45 Hose ladder assembly 850 mm				
Pos. No.	Part number	Quantity	Description	Remark
1	3719 0013 50	1	Hose ladder 850	(B)
2	3719 0004 78	1	Bracket	1"
3	3719 0004 82	1	Bulkhead	1"
4	3719 0005 31	1	Bracket	
5	0211 1364 03	7	Cap screw	MC6S 10 x 35 8.8
6	0211 1342 03	4	Cap screw	M8X110 FZB
7	0211 1327 03	4	Cap screw	MC6S 8 x 35 8.8
8	0291 1128 18	8	Lock nut	M8 HÖG fzb ISO 7040
9	0301 2335 00	16	Washer	BRB 8.4 x 16 x 1.6 SS
10	0301 2344 00	7	Washer	BRB 10.5 x 20 x 2
11	3719 0006 09	1	Hose ladder 850 hose kit jic	
12	3719 0006 14	1	Hose ladder 850 fitting kit, jic	

Feed frame

Hose ladder 850 mm

3719 0013 50

Spare parts list

3719 0013 50 Hose ladder 850 mm				
Pos. No.	Part number	Quantity	Description	Remark
1	3719 0007 27	15	Link for hose ladder 1"	
2	3719 0014 86	1	Hose ladder bracket	Spare for 3719000476, 3719001350

Feed frame

Hose ladder 850 mm hose kit A-N

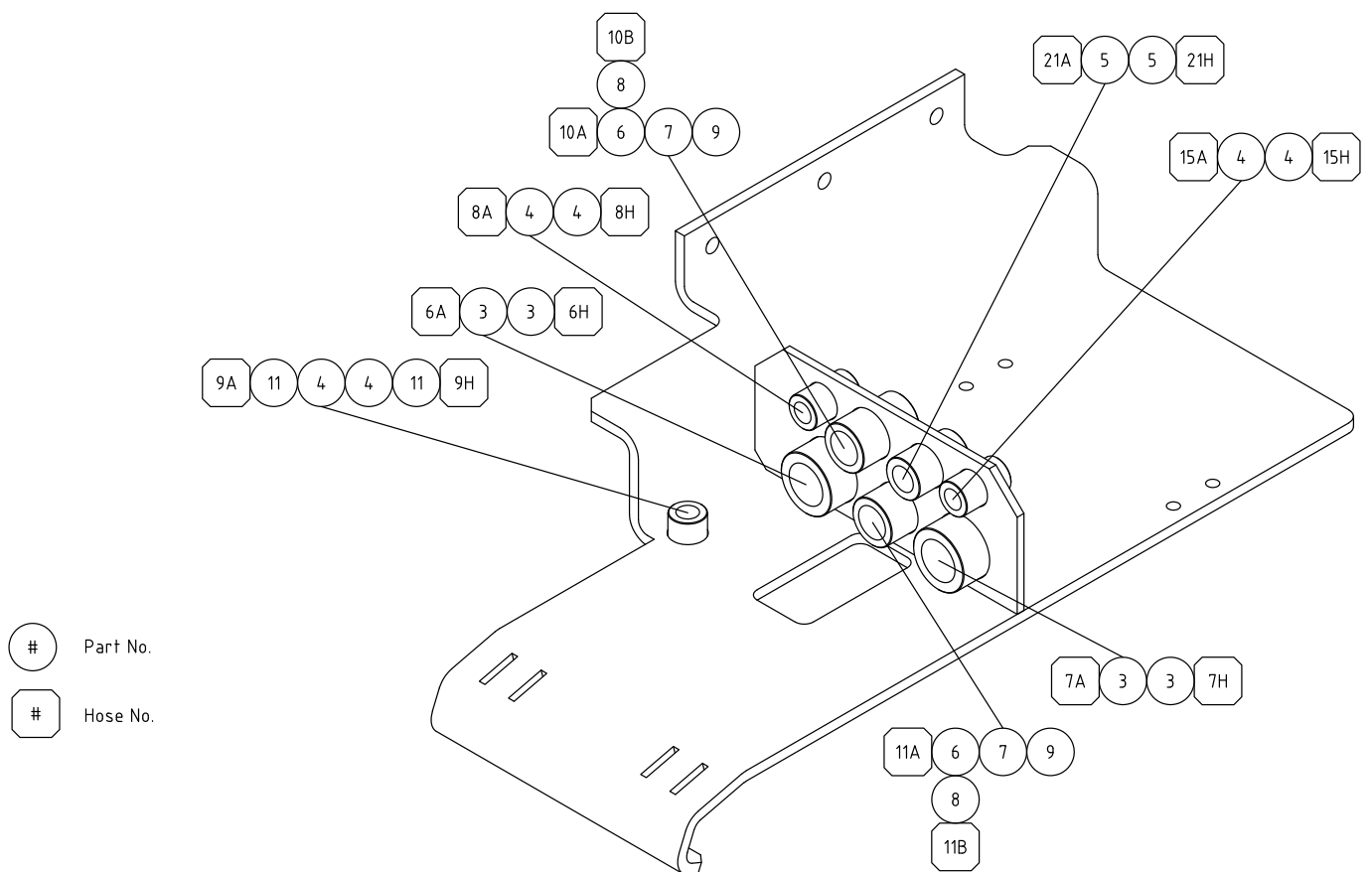
3719 0006 09

Spare parts list

3719 0006 09 Hose ladder 850 mm hose kit A-N								
Pos. No.	Part number	Quantity	Hose Dia.	Hose type	Length	End A	End B	Use
6H	0574 7802 22	1	1"	1142-14-16 ISOBAR 42 CO	2 700	ORFS, UN 1.7/16-12-IR	ORFS, UN 1.7/16- 12-IR	RotR
7H	0574 7802 22	1	1"	1142-14-16 ISOBAR 42 CO	2 700	ORFS, UN 1.7/16-12-IR	ORFS, UN 1.7/16- 12-IR	RotL
8H	0574 0071 37	1	3/8"	1104-03-06 KAPPAFLEX 2	3 200	JIC, UNF 3/4-16-IR	JIC, UNF 3/4-16- IR	Ch
9H	0574 0071 35	1	3/8"	1104-03-06 KAPPAFLEX 2	1 600	JIC, UNF 3/4-16-IR	JIC, UNF 3/4-16- IR	RH
10B	0574 0071 25	1	3/4"	1106-03-12 KAPPAFLEX 3	800	JIC, UN 1.1/16-12-IR	JIC, UN 1.1/16- 12-90B	Fdout
11B	0574 0071 26	1	3/4"	1106-03-12 KAPPAFLEX 3	1 400	JIC, UN 1.1/16-12-IR	JIC, UN 1.1/16- 12-90B	Fdin
15H	0574 0071 36	1	3/8"	1104-03-06 KAPPAFLEX 2	2 900	JIC, UNF 3/4-16-IR	JIC, UNF 3/4-16- IR	RPM
21H	0574 0071 39	1	1/2"	1104-03-08 KAPPAFLEX 2	2 700	JIC, UNF 7/8-14-IR	JIC, UNF 7/8-14- IR	Drain

Feed frame

Hose ladder fitting kit 850 mm

3719 0006 14


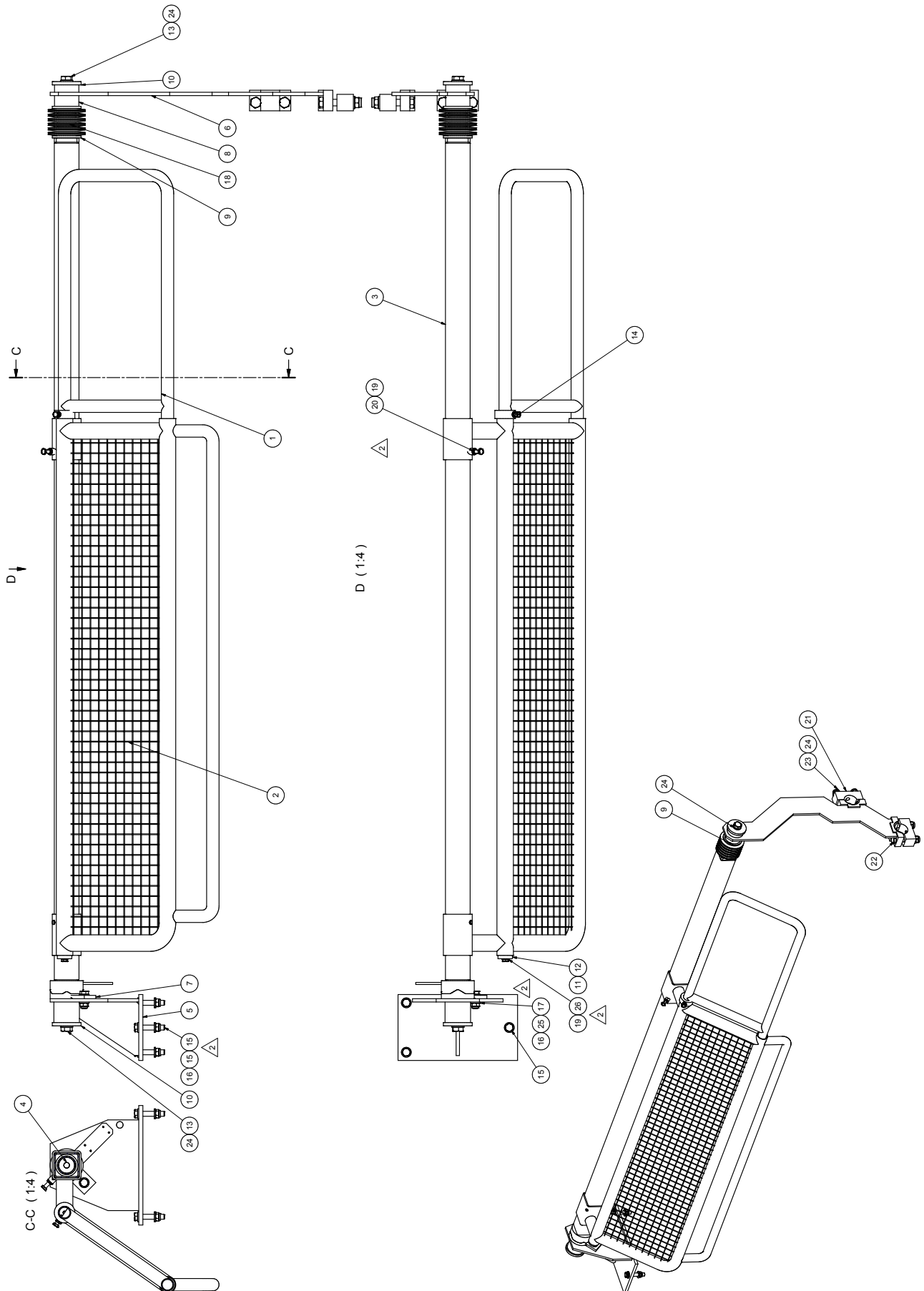
Spare parts list

3719 0006 14 Hose ladder fitting kit 850 mm				
Pos. No.	Part number	Quantity	Description	Remark
3	0570 7000 05	4	Nipple	UN 1 7/16-12 - BSPP 1"
4	3176 6512 00	6	Nipple	R 3/8 - UN 3/4
5	3176 6515 00	2	Nipple	UN 7/8 x R 1/2
6	3176 6591 00	2	Tee	UN 1 1/16"
7	3176 6517 00	2	Nipple	UN 1 1/16-R 3/4
8	3715 0589 00	2	Elbow	UN 1 1/16 x 1 1/16
9	0686 3718 08	2	Plug	VSTI R 3/4-ED SYRAFAST
11	3176 3060 00	2	Elbow	UN 3/4"
6A	-	-	Hose	See hydraulic diagram
6H	-	-	Hose	See hydraulic diagram
7A	-	-	Hose	See hydraulic diagram
7H	-	-	Hose	See hydraulic diagram
8A	-	-	Hose	See hydraulic diagram
8H	-	-	Hose	See hydraulic diagram
9A	-	-	Hose	See hydraulic diagram
9H	-	-	Hose	See hydraulic diagram
10A	-	-	Hose	See hydraulic diagram
10B	-	-	Hose	See hydraulic diagram
11A	-	-	Hose	See hydraulic diagram
11B	-	-	Hose	See hydraulic diagram
15A	-	-	Hose	See hydraulic diagram
15H	-	-	Hose	See hydraulic diagram
21A	-	-	Hose	See hydraulic diagram
21H	-	-	Hose	See hydraulic diagram

Feed frame

Guard assembly 850 mm A-N

3719 0006 49



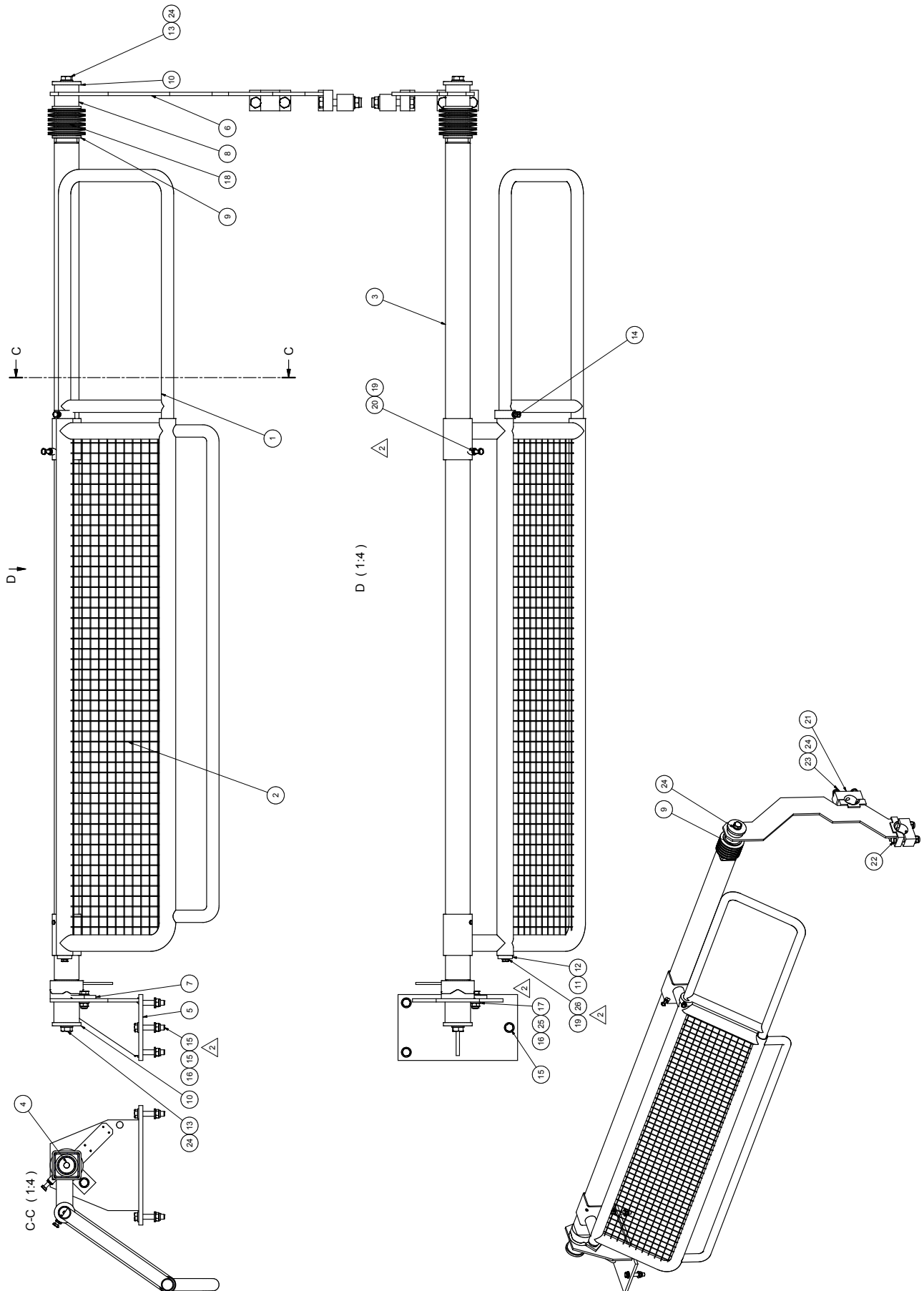
Spare parts list

3719 0006 49 Guard assembly 850 mm A-N				
Pos. No.	Part number	Quantity	Description	Remark
1	3719 0006 25	1	Telescopic pipe 850	
2	3719 0006 24	1	Fence main part 850	
3	3719 0006 26	1	Guide tube 850	
4	3719 0006 27	1	Inner tube 850	
5	3719 0002 48	1	Front bracket	
6	3719 0002 49	1	Rear bracket	
7	3719 0002 50	1	Toothed bushing	
8	3719 0002 51	1	Bushing	
9	3719 0002 52	2	Back-up washer	
10	3719 0002 53	2	Washer	
11	3719 0002 54	1	Distance pipe	
12	3719 0002 55	1	Stop washer	
13	0147 1479 03	2	Screw	M6S 16 x 50
14	0147 1325 03	1	Screw	M6S 8 x 25
15	0147 1408 03	3	Screw	M6S 12 x 65 8.8 Fzb
16	0291 1112 00	4	Lock nut	M12 LM6M DIN 985
17	0301 2358 00	8	Washer	BRB 13 x 24 x 2.5
18	3719 0007 30	12	Disc spring	
19	0147 1327 12	2	Screw	
20	0266 2110 00	2	Hex. Nut	M6M M8
21	3719 0002 05	2	Clamp	
22	0147 1487 03	4	Screw	M6S 16 x 90
23	0291 1114 00	4	Lock nut	M16 LM6M DIN 985-6 FZB
24	0301 2378 00	6	Washer	BRB 17 x 30 x 3
25	0147 1402 03	1	Screw	M6S 12 x 35 ISO 4017
26	0301 2335 00	1	Washer	BRB 8.4 x 16 x 1.6 SS

Feed frame

Guard assembly 850 mm B-H

3719 0011 82



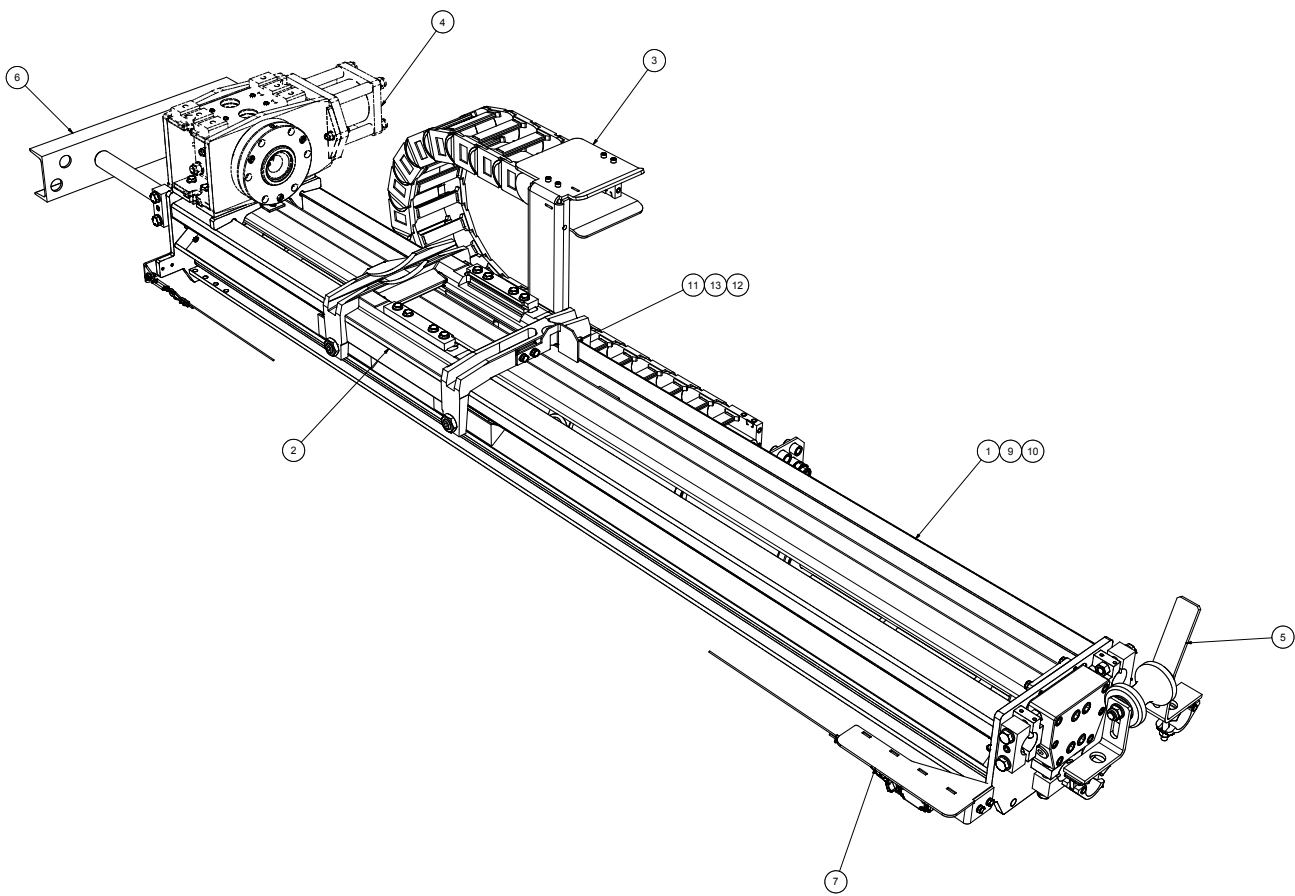
Spare parts list

3719 0011 82 Guard assembly 850 mm B-H				
Pos. No.	Part number	Quantity	Description	Remark
1	3719 0006 25	1	Telescopic pipe 850	
2	3719 0006 24	1	Fence main part 850	
3	3719 0006 26	1	Guide tube 850	
4	3719 0006 27	1	Inner tube 850	
5	3719 0011 21	1	Front bracket	
6	3719 0011 22	1	Rear bracket	
7	3719 0002 50	1	Toothed bushing	
8	3719 0002 51	1	Bushing	
9	3719 0002 52	2	Back-up washer	
10	3719 0002 53	2	Washer	
11	3719 0002 54	1	Distance pipe	
12	3719 0002 55	1	Stop washer	
13	0147 1479 03	2	Screw	M6S 16 x 50
14	0147 1325 03	1	Screw	M6S 8 x 25
15	0147 1408 03	3	Screw	M6S 12 x 65 8.8 Fzb
16	0291 1112 00	4	Lock nut	M12 LM6M DIN 985
17	0301 2358 00	8	Washer	BRB 13 x 24 x 2.5
18	3719 0007 30	12	Disc spring	
19	0147 1323 03	2	Screw	M6S 8 x 20
20	0266 2110 00	2	Hex. Nut	M6M M8
21	3719 0002 05	2	Clamp	
22	0147 1487 03	4	Screw	M6S 16 x 90
23	0291 1114 00	4	Lock nut	M16 LM6M DIN 985-6 FZB
24	0301 2378 00	4	Washer	BRB 17 x 30 x 3
25	0147 1402 03	1	Screw	M6S 12 x 35 ISO 4017

Diamec U6

Feed frame complete 1800 mm

3719 0061 32

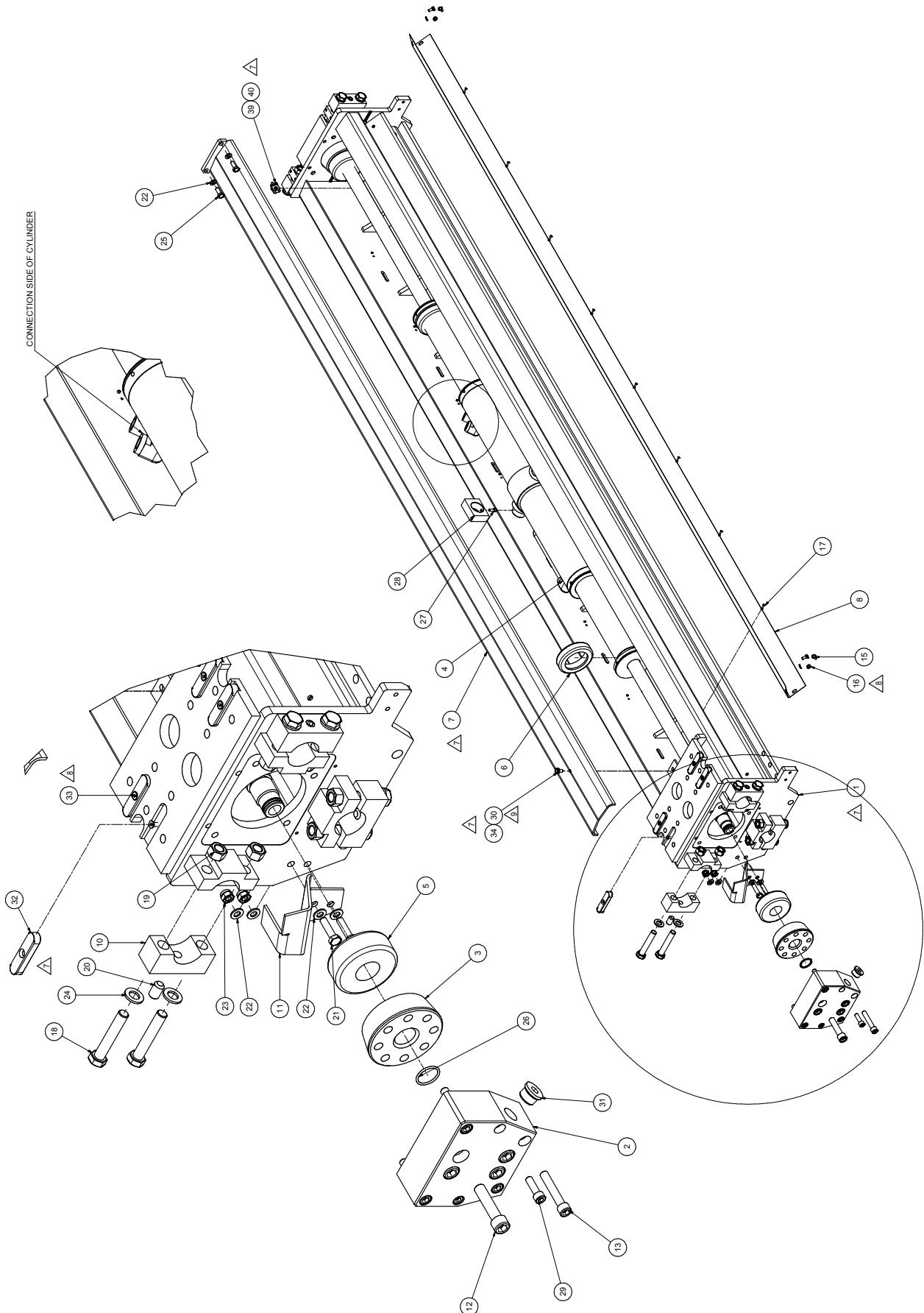


Spare parts list

3719 0061 32 Feed frame complete 1800 mm				
Pos. No.	Part number	Quantity	Description	Remark
1	3719 0000 22	1	Feed frame 1800 assembly	(B)
2	3719 0061 21	1	Cradle assembly cast	(B)
3	3719 0007 56	1	Hose ladder 1" assy, jic	(B)
4	3719 0001 12	1	Rod holder assembly	(B)
5	3719 0001 93	1	Rod pulley	(B)
6	3719 0002 17	1	Standard wall bracket assembly	(B)
7	3719 0019 61	1	E-stop kit	(B)
8	3719 0006 03	1	Rod holder fitting kit jic	(B)
9	3719 0006 29	1	Feed frame fitting kit, jic	(B)
10	3719 0009 86	1	Valve, flow control	138L
11	3719 0013 65	1	Guide bracket	
12	0301 2344 00	2	Washer	BRB 10.5 x 20 x 2
13	0147 1360 03	2	Screw	M6S 10 x 20

Diamec U6

Feed frame 1800 assembly

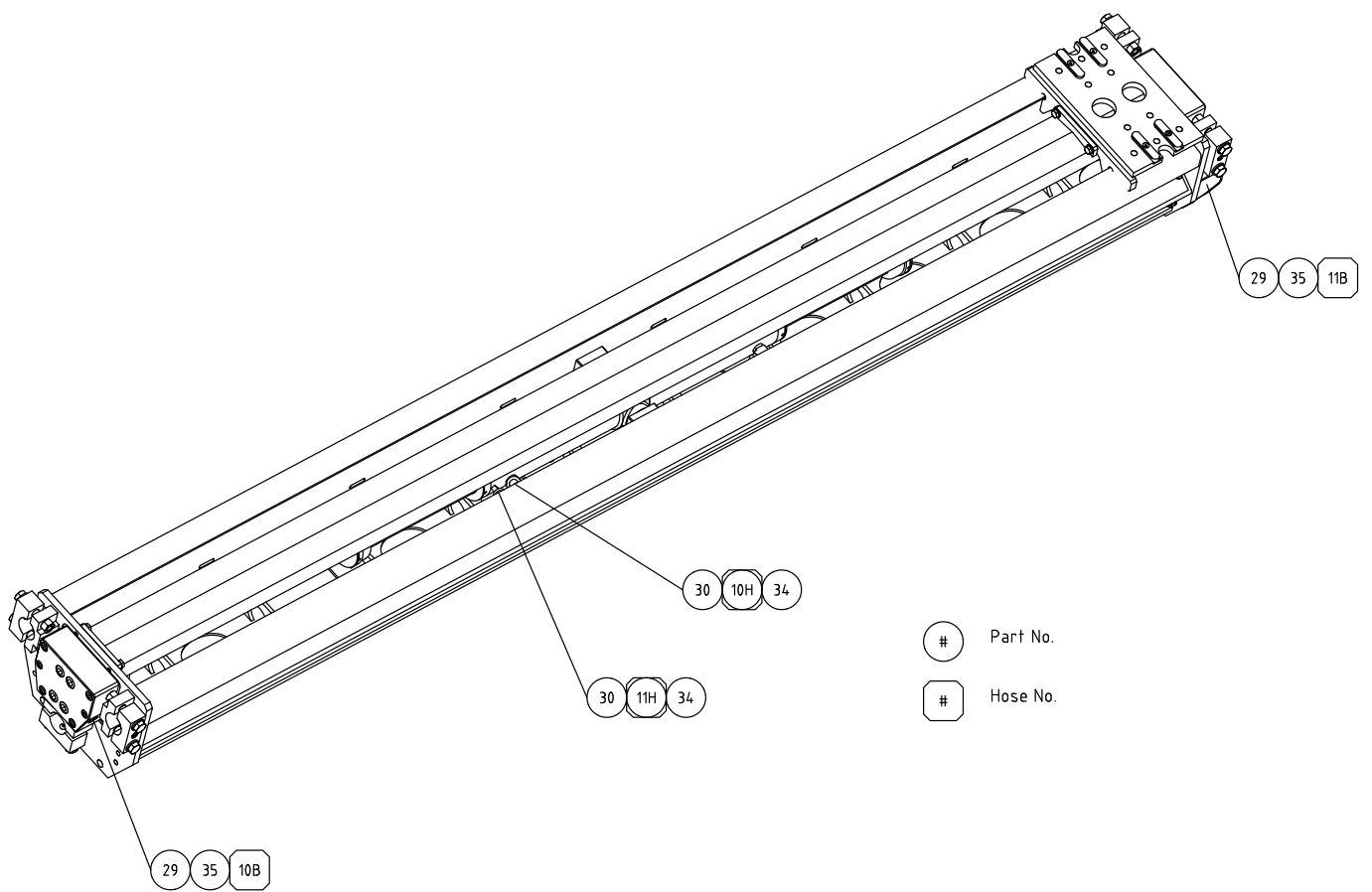
3719 0000 22


Spare parts list

3719 0000 22 Feed frame 1800 assembly				
Pos. No.	Part number	Quantity	Description	Remark
1	3719 0041 30	1	Feed beam 1800	
2	3719 0000 23	2	End plate	
3	3719 0000 24	2	Lock nut	
4	3719 0000 00	1	Feed cylinder 1800	(B)
5	3719 0000 32	2	End cushion	
6	3719 0000 33	2	Intermediate cushion	
7	3719 0041 31	1	Cylinder cover 1800	
8	3719 0027 00	2	Wear liner 1800	L= 2729mm
10	3719 0002 05	6	Clamp	
11	3719 0001 85	1	Nipple protection	
12	0211 1483 03	8	Cap screw	MC6S16 x 70-8.8 FZB DIN 912
13	0211 1409 03	8	Cap screw	MC6S 12 x 70 8.8 FZB DIN 912
15	0147 1244 03	8	Screw	M6S 6 x 12
16	0301 2321 00	8	Washer	BRFB 6.4 X 12.5 X 1.5
17	0129 3151 00	16	Blind rivet	ST/ST 3.2 X 15,4
18	0147 1487 03	12	Screw	M6S 16 x 90
19	0266 2114 00	12	Hex. Nut	M6M M16
20	0196 1474 00	6	Set screw	SK6SS 16 x 25
21	0147 1365 03	2	Screw	M6S 10 x 40
22	0301 2344 00	6	Washer 10	BRB 10.5 X 20 x 2
23	0291 1128 20	2	Lock nut	M10 8 FZB ISO 7040
24	0301 2378 00	12	Washer	BRB 17 x 30 x 3
25	0147 1362 03	2	Screw	M6S 10 x 25 ISO 4017
26	0663 2130 00	2	O-ring	32.2 X 3 70 grader
27	0211 1245 03	2	Cap screw	MC6S 6 x 14 FZB
28	3719 0000 27	2	Trunnion block	
29	0211 1364 03	4	Cap screw	MC6S 10 x 35 8.8
30	0147 1322 03	1	Screw	M6S 8 x 16
31	0686 3718 08	2	Plug	Vsti R 3/4-ed
32	3719 0000 94	4	Key	
33	0216 1247 03	4	Cap screw	MF6S 6 x 20 10.9 FZB
34	0301 2335 00	1	Washer	BRB 8.4 X 16 x 1.6 SS
39	3719 0041 76	2	Cable clip	Selga clip #1410321
40	0211 1207 03	2	Cap screw	M5x16 FZB

Feed frame

Feed frame fitting kit 1800 mm

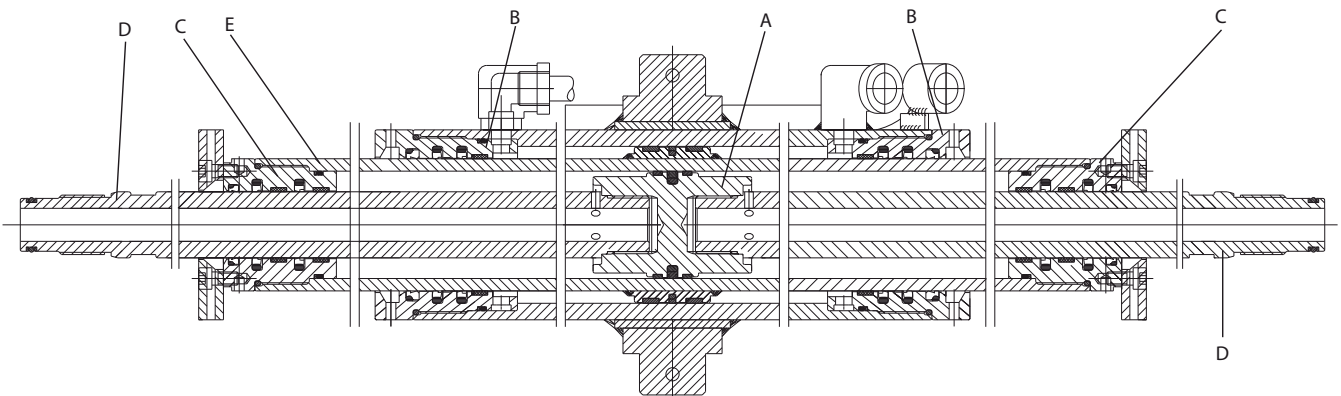
3719 0006 29

Spare parts list

3719 0006 29 Feed frame fitting kit 1800 mm				
Pos. No.	Part number	Quantity	Description	Remark
29	3176 7757 00	2	Nipple	R 3/4 UN 1 1/16-12
30	3176 6515 00	2	Nipple	UN 7/8 x R 1/2
34	3715 0599 00	2	Plug	UN 7/8"-14
35	3176 6499 00	2	Fitting	1 1/16"
10B		1	Hose	See hydraulic diagram
10H		1	Hose	See hydraulic diagram
11B		1	Hose	See hydraulic diagram
11H		1	Hose	See hydraulic diagram

Diamec U6

Cylinder 1800 mm

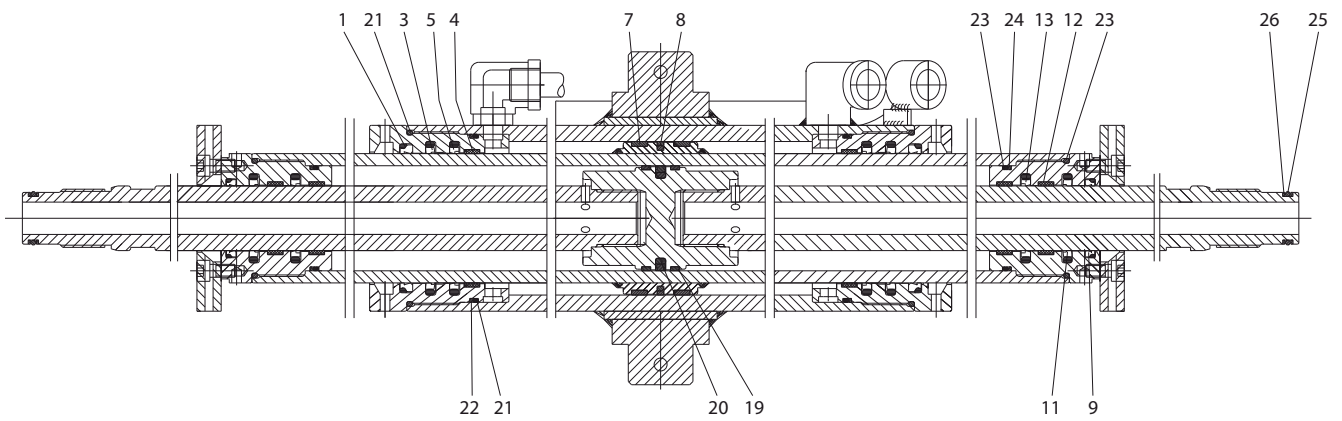
3719 0000 00

Spare parts list

3719 0000 00 Cylinder 1800 mm				
Pos. No.	Part number	Quantity	Description	Remark
-	3719 0060 68	1	Piston seal	
-	3719 0003 75	1	Packing kit, feed cyl 1800	(B)
A	3719 0014 98	1	Piston, fd cyl 1800, 850	
B	3719 0014 99	2	Cyl. Guide, inner, fd 1800	
C	3719 0015 00	2	Cyl. Guide, outer, fd 1800	
D	3719 0015 01	2	Piston rod, fd cyl 1800	
E	3719 0015 02	1	Piston rod/bar. Fd cyl 1800	

Diamec U6

Packing kit, feed cylinder 1800 mm

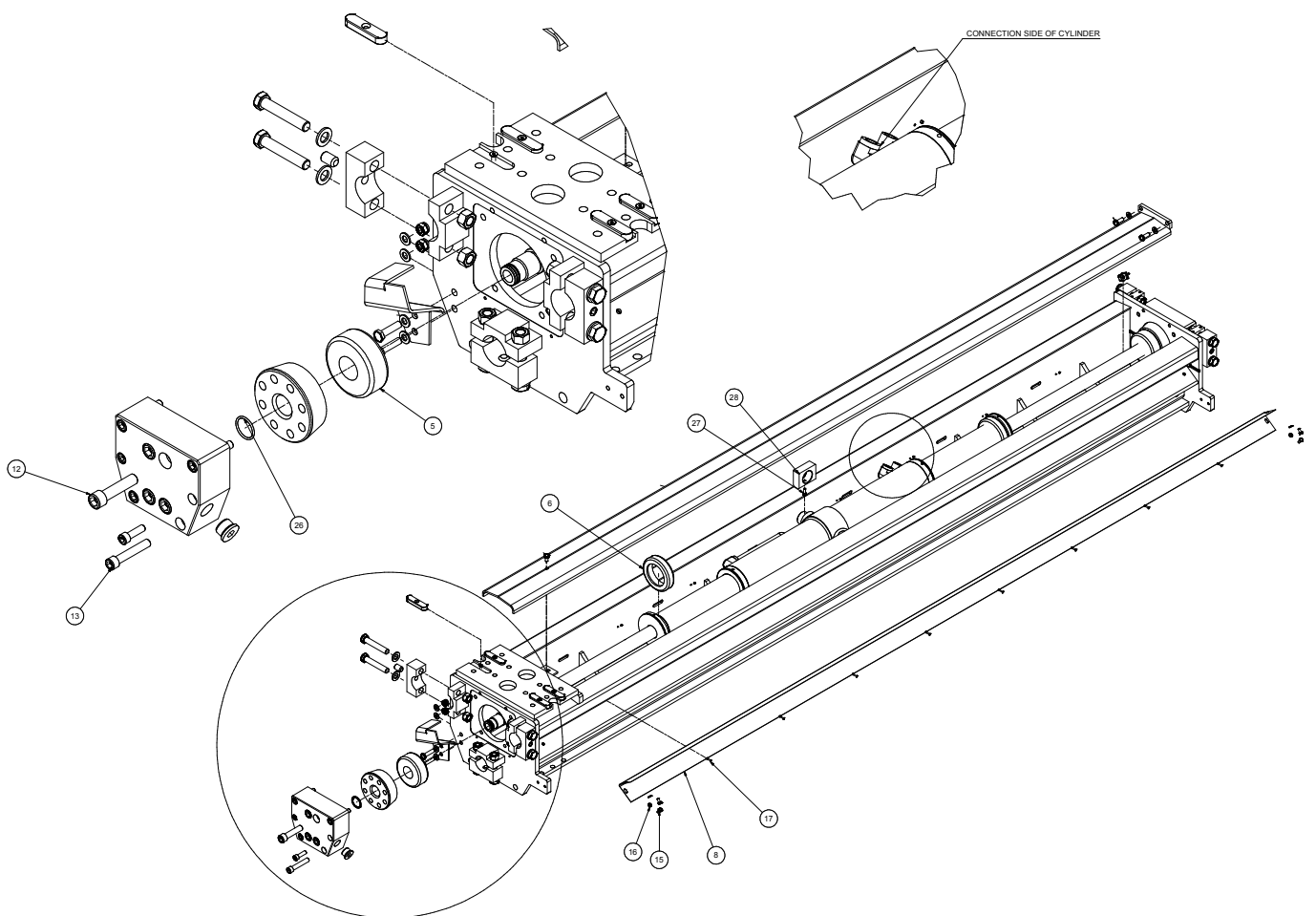
3719 0003 75

Spare parts list

3719 0003 75 Packing kit, feed cylinder 1800 mm				
Pos. No.	Part number	Quantity	Description	Remark
1	-	1	Wiper	
3	-	2	Piston seal	
4	-	2	Support ring	
5	-	2	Piston seal	
6	-	2	Piston seal	
7	-	2	Support ring	
8	-	1	Piston seal	
9	-	2	Wiper	
11	-	2	Piston seal	
12	-	4	Support ring	
13	-	2	Piston seal	
19	-	2	Support ring	
20	-	1	Piston seal	
21	-	4	O-ring	
22	-	2	Support ring	
23	-	4	O-ring	
24	-	2	Support ring	
25	-	2	O-ring	
26	-	4	Support ring	

Diamec U6

Overhauling kit, feed frame 1800 mm

3719 0004 05

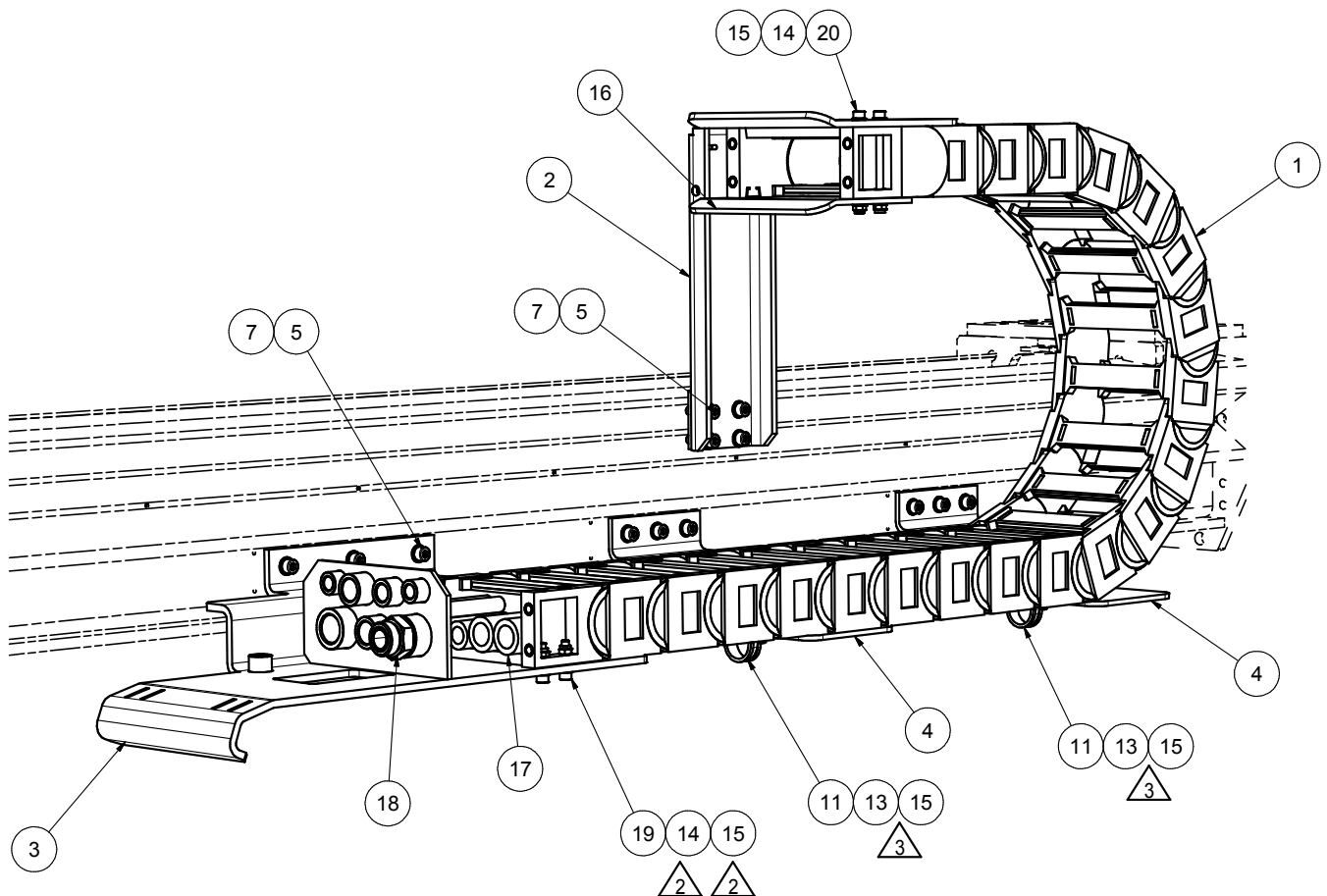
Spare parts list

3719 0004 05 Overhauling kit, Feed frame 1800 mm				
Pos. No.	Part number	Quantity	Description	Remark
5	3719 0000 32	2	End cushion	
6	3719 0000 33	2	Intermediate cushion	
8	3719 0027 00	2	Wear liner 1800	L= 2729mm
12	0211 1483 03	8	Cap screw	MC6S16 x 70-8.8 FZB din 912
13	0211 1409 03	8	Cap screw	MC6S 12 x 70 8.8 FZB DIN912
15	0147 1244 03	8	Screw	M6S 6 x 12
16	0301 2321 00	8	Washer	BRFB 6.4 x 12.5 x 1.5
17	0129 3151 00	16	Blind rivet	ST/ST 3.2 x 15,4
26	0663 2130 00	4	O-ring	32.2 x 3 70 degrees
27	0211 1245 00	2	Cap screw	MC6S 6 x 14
28	3719 0000 27	2	Trunnion block	

Feed frame

Hose ladder assembly 1800 mm

3719 0007 56

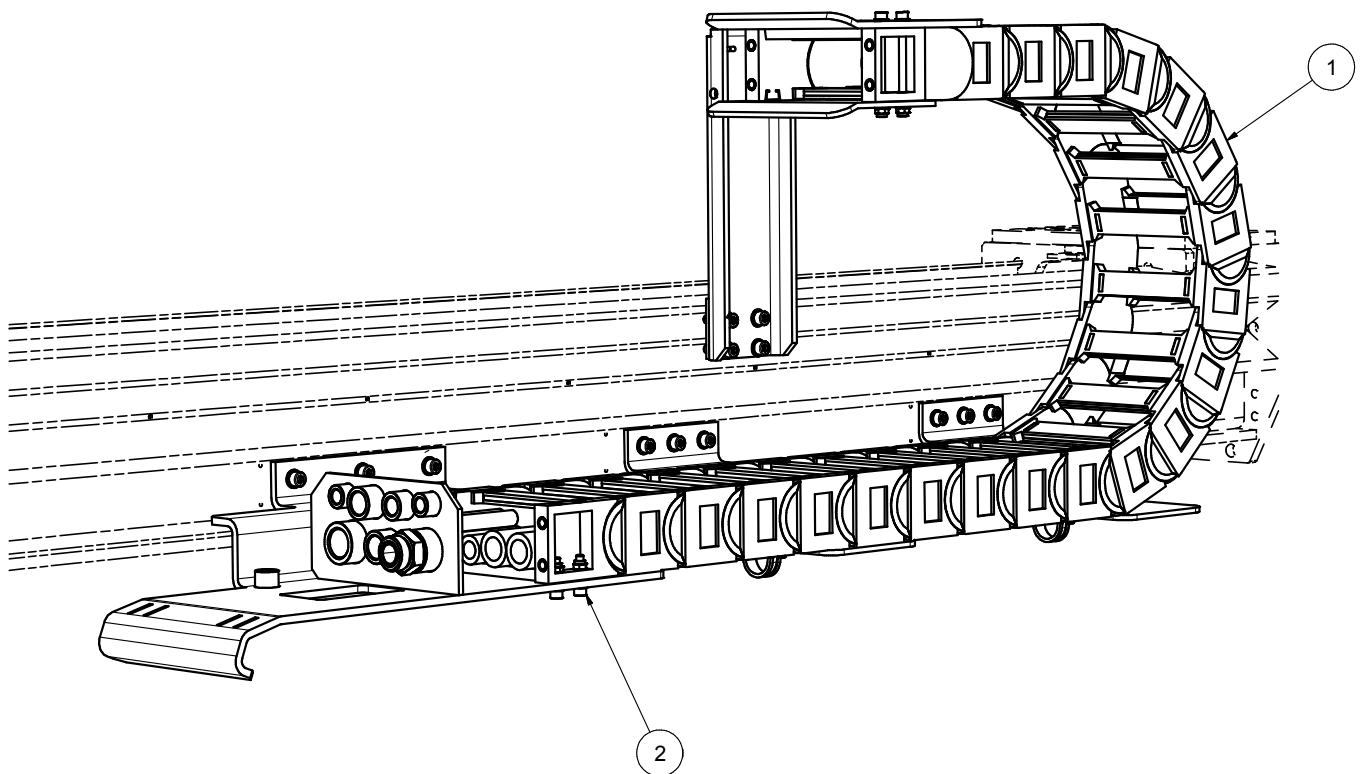


Spare parts list

3719 0007 56 Hose ladder assembly 1800 mm				
Pos. No.	Part number	Quantity	Description	Remark
1	3719 0004 76	1	Hose ladder	(B)
2	3719 0004 78	1	Bracket	1"
3	3719 0004 82	1	Bulkhead	1"
4	3719 0005 30	2	Support bracket	1"
5	0211 1364 03	13	Cap screw	MC6S 10 x 35 8.8
7	0301 2344 00	13	Washer	BRB 10.5 x 20 x 2
11	0346 1003 14	2	Pipe clamp	RSGU 1 38/20
13	0216 1957 61	2	Screw, countersunk	M8x25
14	0301 2335 00	12	Washer	BRB 8.4 x 16 x 1.6 SS
15	0291 1128 18	10	Lock nut	M8 HÖG fzb ISO 7040
16	3719 0005 31	1	Bracket	
17	3719 0007 54	1	Hose ladder 1" hose kit, jic	
18	3719 0007 53	1	Hose ladder 1" fitting kit,jic	
19	0211 1327 03	4	Cap screw	MC6S 8 x 35 8.8
20	0211 1342 03	4	Cap screw	M8X110 FZB

Feed frame

Hose ladder 1800 mm

3719 0004 76

Spare parts list

3719 0004 76 Hose ladder 1800 mm				
Pos. No.	Part number	Quantity	Description	Remark
1	3719 0007 27	20	Link for hose ladder	
2	3719 0014 86	1	Hose ladder bracket set	1"

Feed frame

Hose ladder 1800 mm hose kit

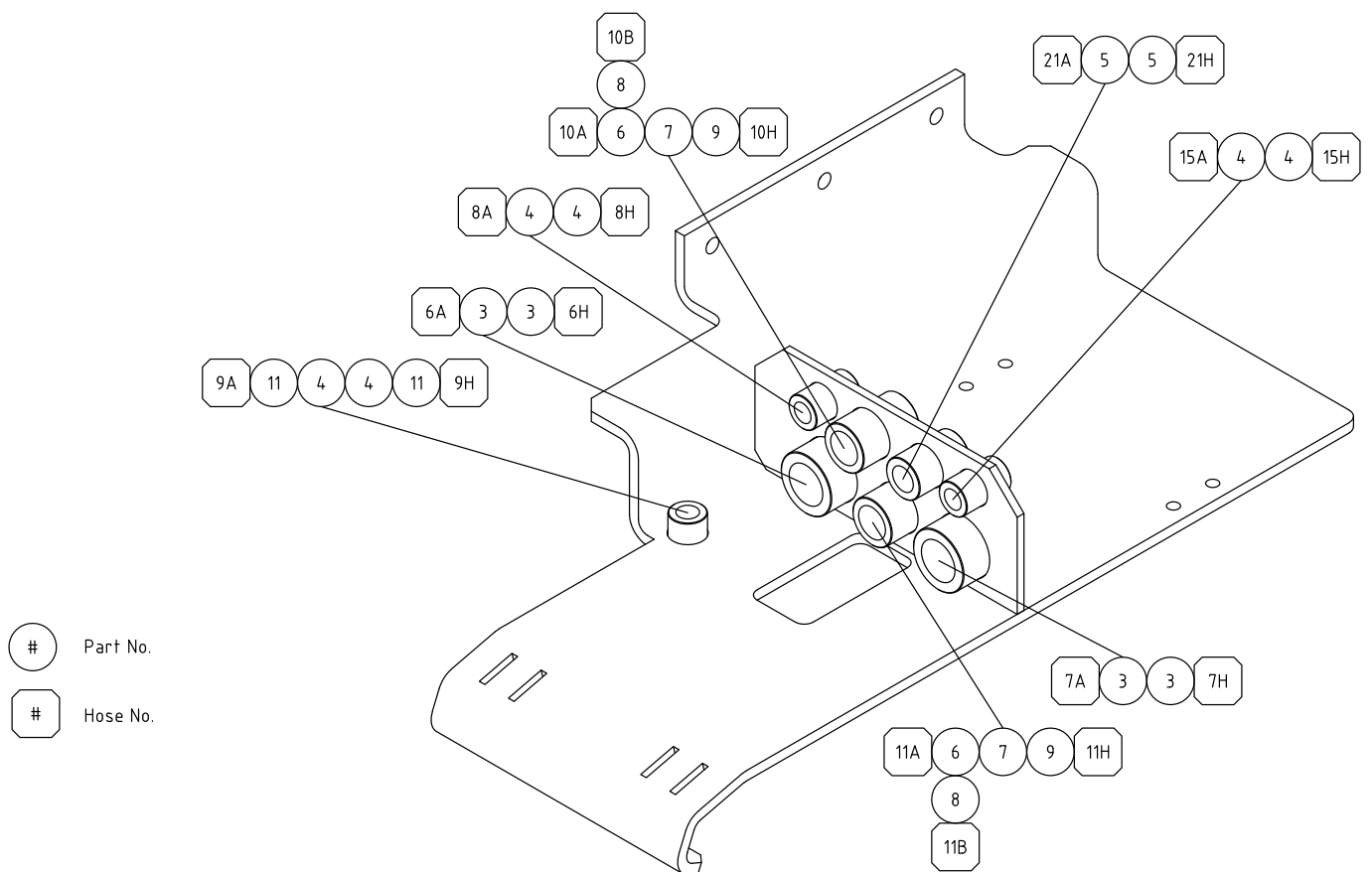
3719 0007 54

Spare parts list

3719 0007 54								
Pos. No.	Part number	Quantity	Hose Dia.	Hose type	Length	End A	End B	Use
6H	0574 7801 08	1	1"	1142-14-16 ISOBAR 42 CO	3 200	ORFS, UN 1.7/16-12-IR	ORFS, UN 1.7/16- 12-IR	RotR
7H	0574 7801 08	1	1"	1142-14-16 ISOBAR 42 CO	3 200	ORFS, UN 1.7/16-12-IR	ORFS, UN 1.7/16- 12-IR	RotL
8H	0574 0071 56	1	3/8"	1104-03-06 KAPPAFLEX 2	3 700	JIC, UNF 3/4-16-IR	JIC, UNF 3/4-16- IR	Ch
9H	0574 0071 52	1	3/8"	1104-03-06 KAPPAFLEX 2	2 000	JIC, UNF 3/4-16-IR	JIC, UNF 3/4-16- IR	RH
10B	0574 0072 39	1	3/4"	1106-03-12 KAPPAFLEX 3	1 050	JIC, UN 1.1/16-12-IR	JIC, UN 1.1/16- 12-90B	Fdout
10H	0574 0071 51	1	1/2"	1104-03-08 KAPPAFLEX 2	3 600	JIC, UNF 7/8-14-IR	JIC, UNF 7/8-14- IR	Fdout
11B	0574 0071 59	1	3/4"	1106-03-12 KAPPAFLEX 3	1 850	JIC, UN 1.1/16-12-IR	JIC, UN 1.1/16- 12-90B	Fdin
11H	0574 0071 51	1	1/2"	1104-03-08 KAPPAFLEX 2	3 600	JIC, UNF 7/8-14-IR	JIC, UNF 7/8-14- IR	Fdin
15H	0574 0071 53	1	3/8"	1104-03-06 KAPPAFLEX 2	3 400	JIC, UNF 3/4-16-IR	JIC, UNF 3/4-16- IR	RPM
21H	0574 0071 57	1	1/2"	1104-03-08 KAPPAFLEX 2	3 200	JIC, UNF 7/8-14-IR	JIC, UNF 7/8-14- IR	Drain

Feed frame

Hose ladder fitting kit 1800 mm

3719 0007 53


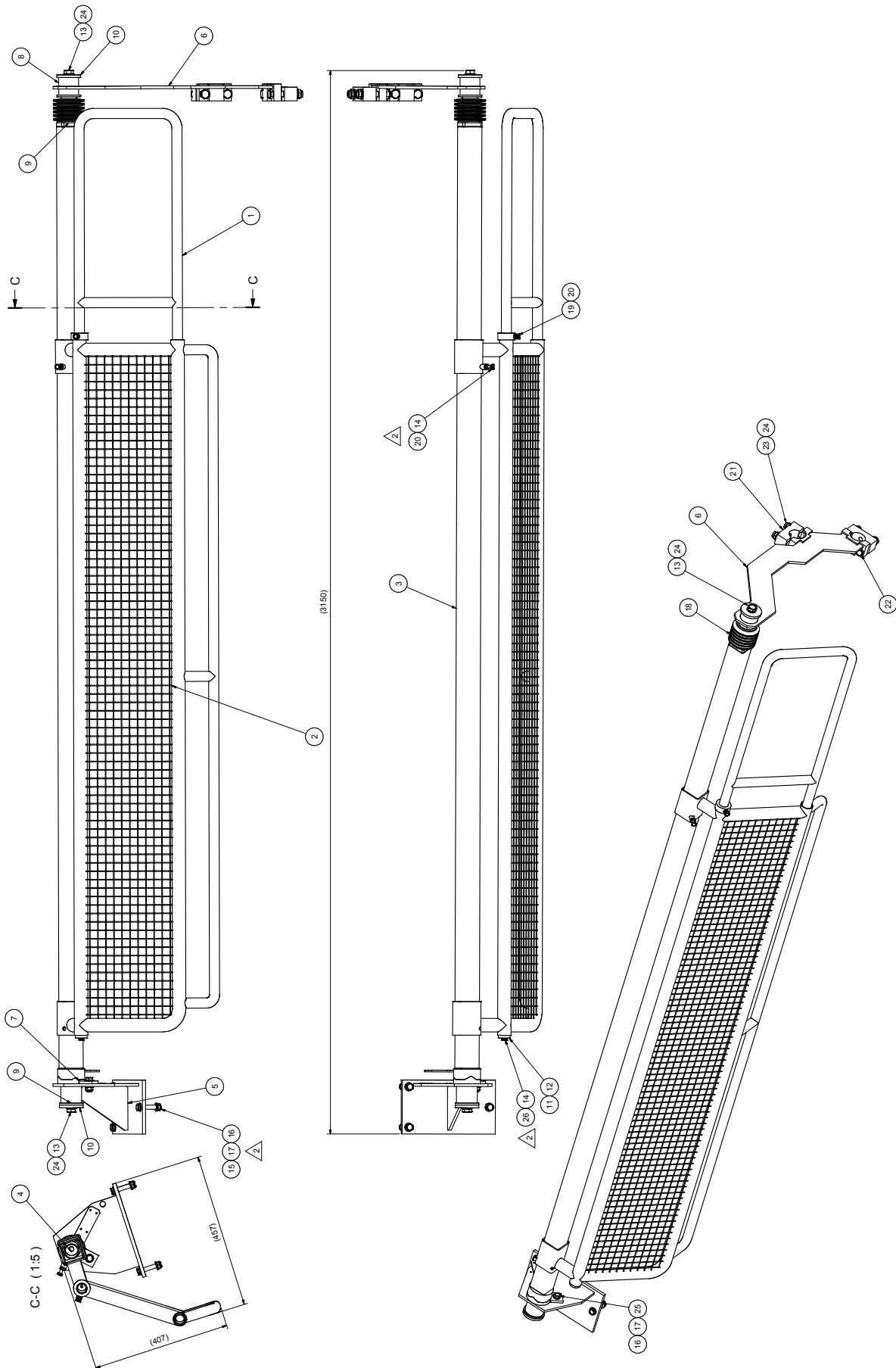
Spare parts list

3719 0007 53 Hose ladder fitting kit 1800 mm				
Pos. No.	Part number	Quantity	Description	Remark
3	0570 7000 05	4	Nipple	UN 1 7/16-12 - BSPP 1"
4	3176 6512 00	6	Nipple	R 3/8 - UN 3/4
5	3176 6515 00	2	Nipple	UN 7/8 x R 1/2
6	3176 6591 00	2	Tee	UN 1 1/16"
7	3176 6517 00	2	Nipple	UN 1 1/16-R 3/4
8	3715 0589 00	2	Elbow	UN 1 1/16 x 1 1/16
9	3176 2131 00	2	Nipple	UN 7/8 x R 3/4
11	3176 3060 00	2	Elbow	UN 3/4"
6A	-	-	Hose	See hydraulic diagram
6H	-	-	Hose	See hydraulic diagram
7A	-	-	Hose	See hydraulic diagram
7H	-	-	Hose	See hydraulic diagram
8A	-	-	Hose	See hydraulic diagram
8H	-	-	Hose	See hydraulic diagram
9A	-	-	Hose	See hydraulic diagram
9H	-	-	Hose	See hydraulic diagram
10A	-	-	Hose	See hydraulic diagram
10B	-	-	Hose	See hydraulic diagram
11A	-	-	Hose	See hydraulic diagram
11B	-	-	Hose	See hydraulic diagram
15A	-	-	Hose	See hydraulic diagram
15H	-	-	Hose	See hydraulic diagram
21A	-	-	Hose	See hydraulic diagram
21H	-	-	Hose	See hydraulic diagram

Feed frame

Guard assembly 1800 mm

3719 0002 58



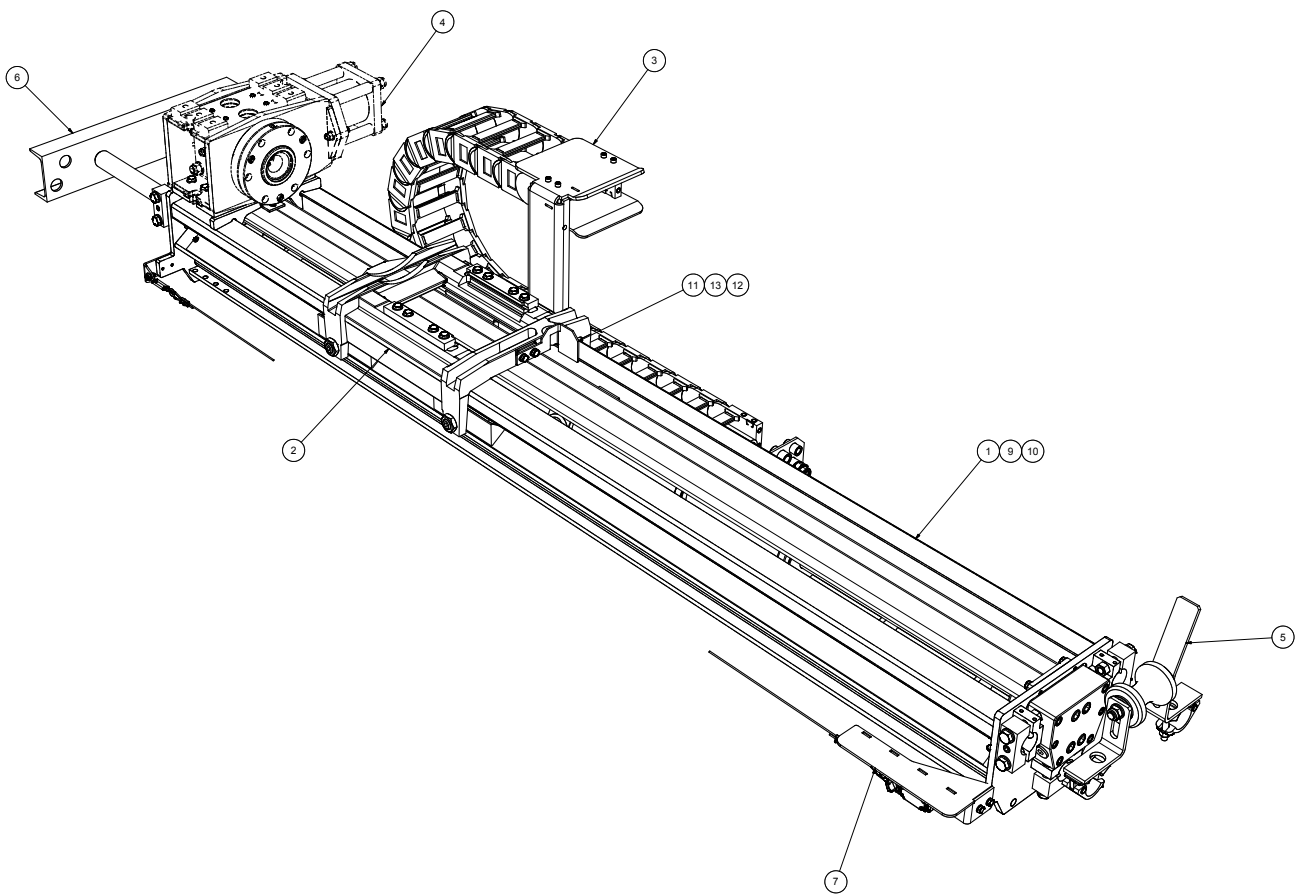
Spare parts list

3719 0002 58 Guard assembly 1800 mm				
Pos. No.	Part number	Quantity	Description	Remark
1	3719 0002 56	1	Telescopic pipe	
2	3719 0002 57	1	Fence main part	
3	3719 0002 46	1	Guide tube	
4	3719 0002 47	1	Inner tube	
5	3719 0002 48	1	Front bracket	
6	3719 0002 49	1	Rear bracket	
7	3719 0002 50	1	Toothed bushing	
8	3719 0002 51	1	Bushing	
9	3719 0002 52	3	Back-up washer	
10	3719 0002 53	2	Washer	
11	3719 0002 54	1	Distance pipe	
12	3719 0002 55	1	Stop washer	
13	0147 1479 03	2	Screw	M6S 16 x 50
14	0147 1327 12	2	Screw	
15	0147 1408 03	3	Screw	M6S 12 x 65 8.8 Fzb
16	0291 1112 00	4	Lock nut	M12 LM6M DIN 985
17	0301 2358 00	8	Washer	BRB 13 x 24 x 2.5
18	3719 0007 30	12	Disc spring	
19	0147 1323 03	1	Screw	M6S 8 x 20
20	0266 2110 00	2	Hex. Nut	M6M M8
21	3719 0002 05	2	Clamp	
22	0147 1487 03	4	Screw	M6S 16 x 90
23	0291 1114 00	4	Lock nut	M16 LM6M DIN 985-6 FZB
24	0301 2378 00	6	Washer	BRB 17 x 30 x 3
25	0147 1402 03	1	Screw	M6S 12 x 35 ISO 4017
26	0301 2335 00	1	Washer	BRB 8.4 x 16 x 1.6 SS

Diamec U6

Feed frame complete 1800 mm DH

3719 0061 33



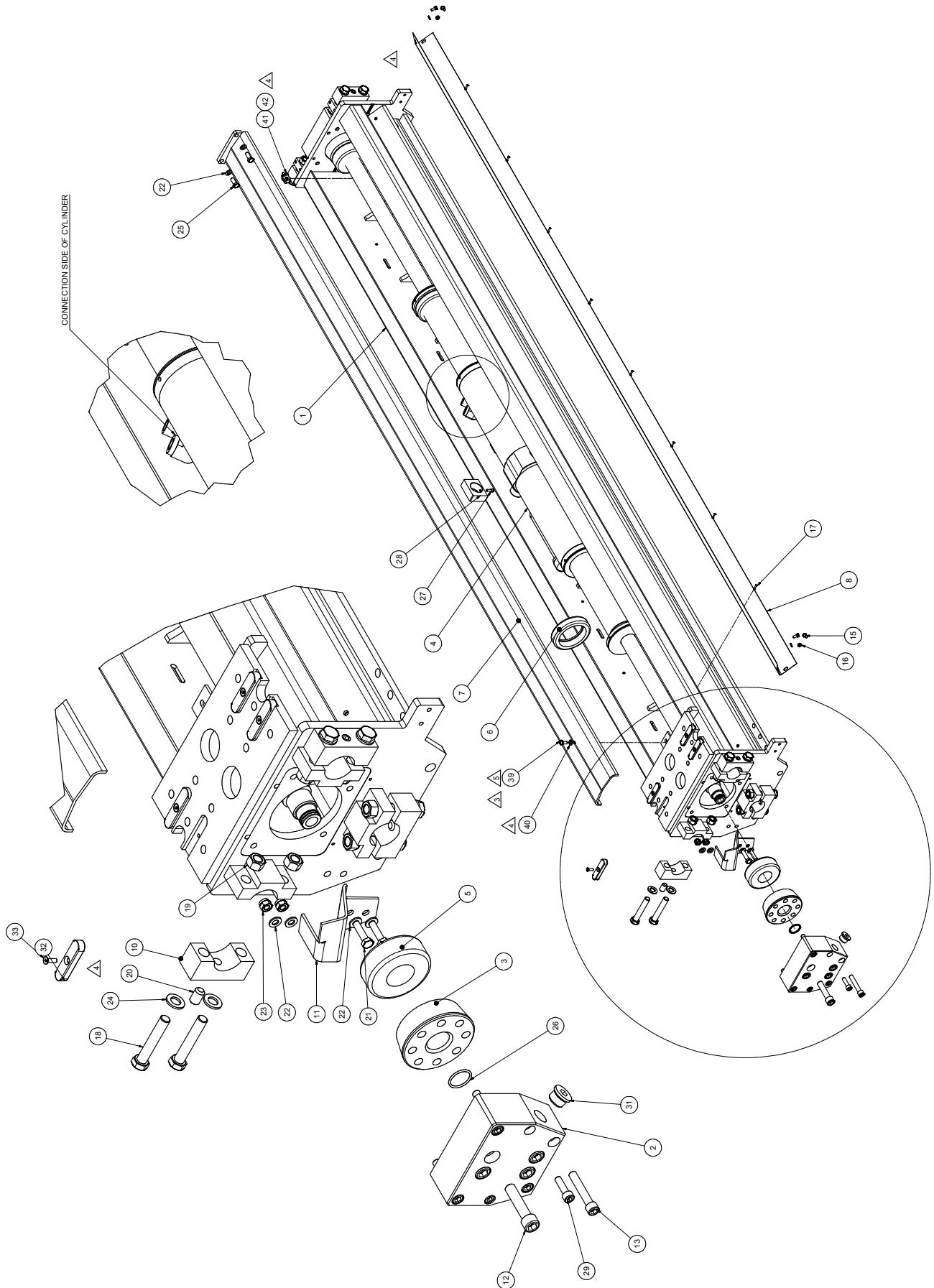
Spare parts list

3719 0061 33 Feed frame complete 1800 mm DH				
Pos. No.	Part number	Quantity	Description	Remark
1	3719 0003 44	1	Feed frame 1800 DH assembly	(B)
2	3719 0061 21	1	Cradle assembly cast	(B)
3	3719 0052 34	1	Hose ladder 1" V14 DH assembly	(B)
4	3719 0001 12	1	Rod holder assembly	(B)
5	3719 0001 93	1	Rod pulley	(B)
6	3719 0002 17	1	Standard wall bracket assembly	(B)
7	3719 0019 61	1	E-stop kit	(B)
8	3719 0006 03	1	Rod holder fitting kit jic	(B)
9	3719 0006 29	1	Feed frame fitting kit, jic	(B)
10	3719 0013 65	1	Guide bracket	
11	0301 2344 00	2	Washer	BRB 10.5 x 20 x 2
12	0147 1360 03	2	Screw	M6S 10 x 20
-	3719 0056 38	1	EI.Kit-U6,PHC,feed	

Diamec U6

Feed frame 1800 DH assembly

3719 0003 44

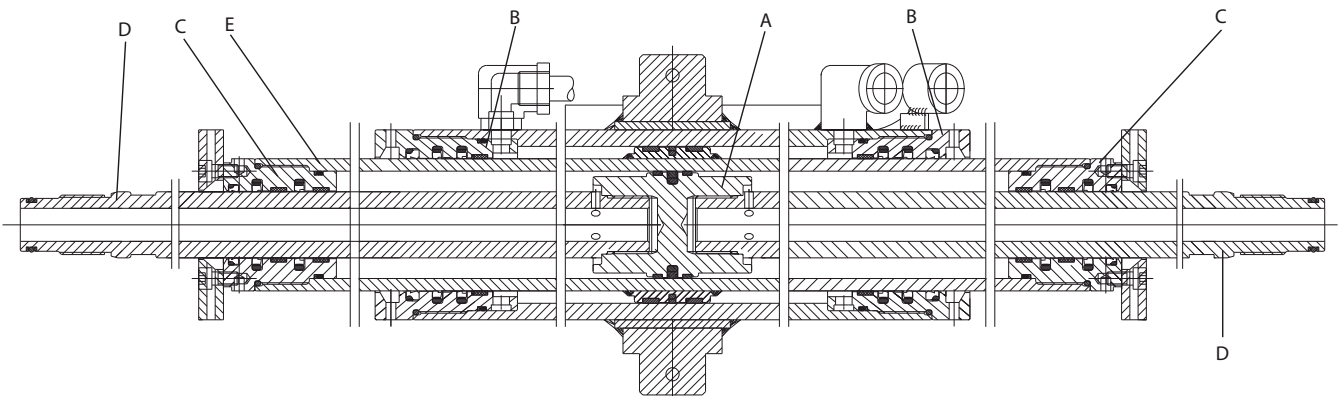


Spare parts list

3719 0003 44 Feed frame 1800 DH assembly				
Pos. No.	Part number	Quantity	Description	Remark
1	3719 0041 30	1	Feed beam 1800	
2	3719 0000 23	2	Endplate	
3	3719 0002 60	2	Lock nut	
4	3719 0002 88	1	Feed cylinder 1800 DH	(B)
5	3719 0002 61	2	End cushion	
6	3719 0002 62	2	Intermediate cushion	
7	3719 0041 31	1	Cylinder cover 1800	
8	3719 0027 00	2	Wear liner 1800	L= 2729mm
10	3719 0002 05	6	Clamp	
11	3719 0001 85	1	Nipple protection	
12	0211 1483 03	8	Cap screw	MC6S16 x 70-8.8 FZB din 912
13	0211 1409 03	8	Cap screw	MC6S 12 x 70 8.8 FZB DIN912
15	0147 1244 03	8	Screw	M6S 6 x 12
16	0301 2321 00	8	Washer	BRFB 6.4 x 12.5 x 1.5
17	0129 3151 00	16	Blind rivet	ST/ST 3.2 x 15,4
18	0147 1487 03	12	Screw	M6S 16 x 90
19	0266 2114 00	12	Hex. Nut	M6M M16
20	0196 1474 00	6	Set screw	SK6SS 16 x 25
21	0147 1365 03	2	Screw	M6S 10 x 40
22	0301 2344 00	6	Washer	BRB 10.5 x 20 x 2
23	0291 1128 20	2	Lock nut	M10 8 fzb ISO 7040
24	0301 2378 00	12	Washer	BRB 17 x 30 x 3
25	0147 1362 03	2	Screw	M6S 10 x 25 ISO 4017
26	0663 2130 00	2	O-ring	32.2 x 3 70 Grader
27	0211 1245 03	2	Cap screw	MC6S 6 x 14 FZB
28	3719 0000 27	2	Trunnion block	
29	0211 1364 03	4	Cap screw	MC6S 10 x 35 8.8
31	0686 3718 08	2	Plug	VSTI R 3/4-ED SYRAFAST
32	3719 0000 94	4	Key	
33	0216 1247 03	4	Cap screw	MF6S 6 x 20 10.9 FZB
39	0147 1322 03	1	Screw	M6S 8 x 16
40	0301 2335 00	1	Washer	BRB 8.4 x 16 x 1.6 SS
41	3719 0041 76	2	Cable clip	SELGA CLIP #1410321
42	0211 1207 03	2	Cap screw	

Diamec U6

Cylinder 1800 mm DH

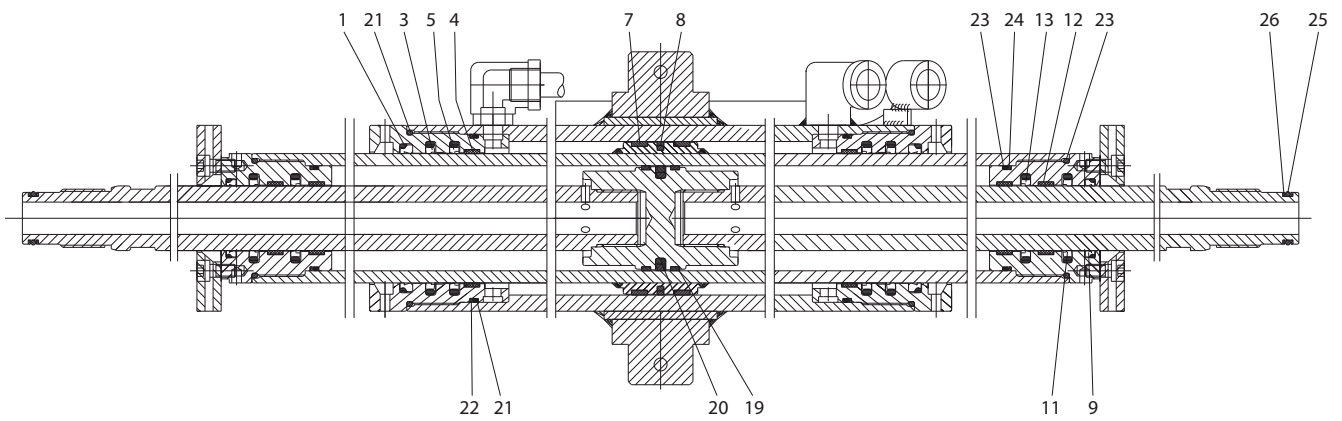
3719 0002 88

Spare parts list

3719 0002 88 Cylinder 1800 mm				
Pos. No.	Part number	Quantity	Description	Remark
-	3719 0060 68	1	Piston seal	
-	3719 0005 37	1	Packing kit, feed cyl 1800 DH	(B)
A	3719 0014 98	1	Piston, fd cyl 1800, 850	
B	3719 0014 99	2	Cyl. Guide, inner, fd 1800	
C	3719 0015 00	2	Cyl. Guide, outer, fd 1800	
D	3719 0015 01	2	Piston rod, fd cyl 1800	
E	3719 0015 02	1	Piston rod/bar. Fd cyl 1800	

Diamec U6

Packing kit, feed cylinder 1800 mm DH

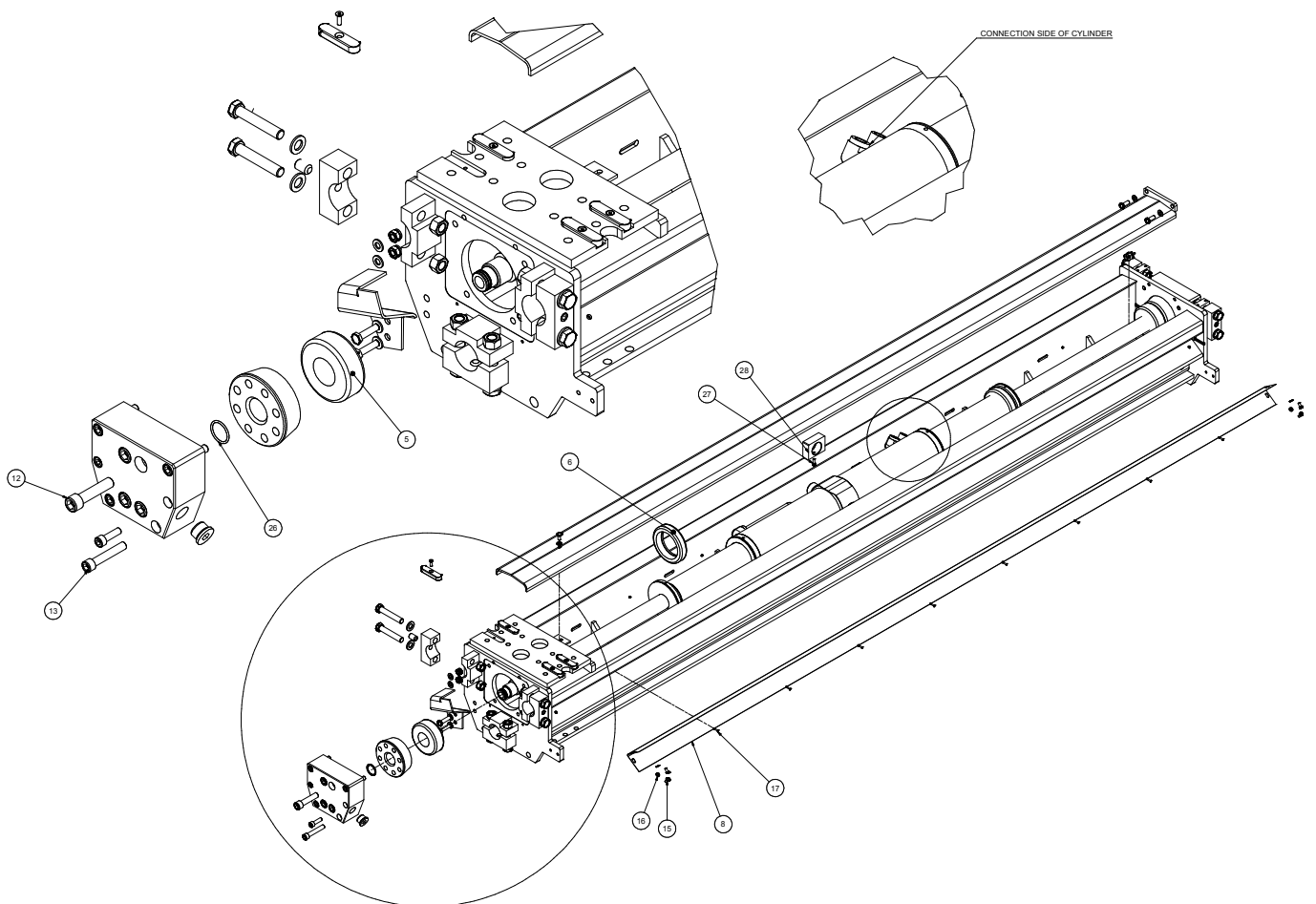
3719 0005 37

Spare parts list

3719 0005 37 Packing kit, feed cylinder 1800 mm DH				
Pos. No.	Part number	Quantity	Description	Remark
1	-	2	Wiper	
3	-	2	Piston seal	
4	-	2	Wear ring	
5	-	2	Piston seal	
7	-	2	Wear ring	
8	-	1	Piston seal	
9	-	2	Wiper	
11	-	2	Piston seal	
12	-	4	Wear ring	
13	-	2	Piston seal	
19	-	2	Wear ring	
20	-	1	Piston seal	
21	-	4	O-ring	
22	-	2	Support ring	
23	-	4	O-ring	
24	-	2	Support ring	
25	-	2	O-ring	
26	-	4	Support ring	

Diamec U6

Overhauling kit, feed frame 1800 mm DH

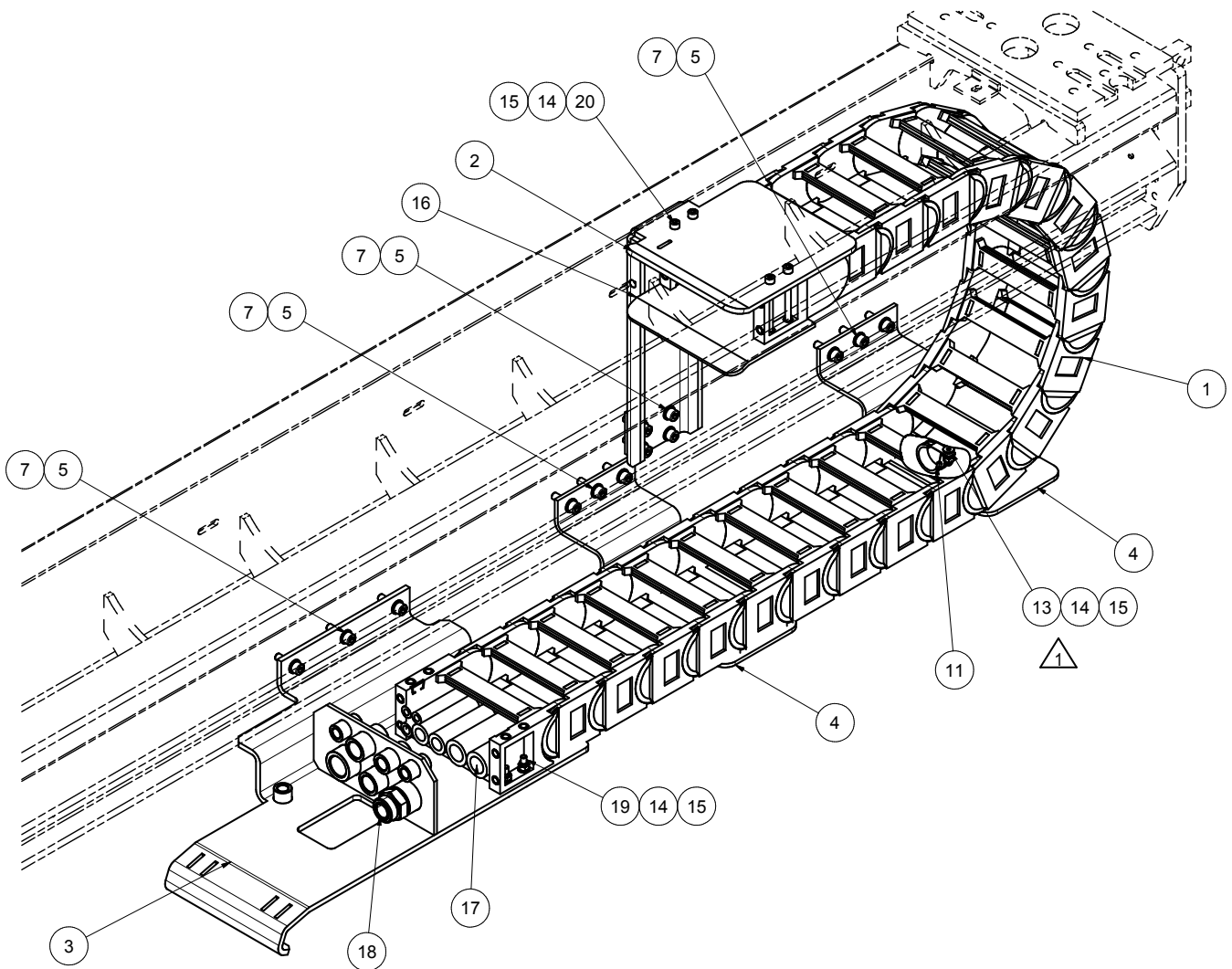
3719 0004 02

Spare parts list

3719 0004 02 Overhauling kit, Feed frame 1800 mm DH				
Pos. No.	Part number	Quantity	Description	Remark
5	3719 0002 61	2	End cushion	
6	3719 0002 62	2	Intermediate cushion	
8	3719 0027 00	2	Wear liner 1800	L= 2729mm
12	0211 1483 03	8	Cap screw	MC6S16 x 70-8.8 FZB din 912
13	0211 1409 03	8	Cap screw	MC6S 12 x 70 8.8 FZB DIN912
15	0147 1244 03	8	Screw	M6S 6 x 12
16	0301 2321 00	8	Washer	BRFB 6.4 x 12.5 x 1.5
17	0129 3151 00	16	Blind rivet	ST/ST 3.2 x 15,4
26	0663 2130 00	4	O-ring	32.2 x 3 70 degrees
27	0211 1245 00	2	Cap screw	MC6S 6 x 14
28	3719 0000 27	2	Trunnion block	

Feed frame

Hose ladder assembly 1800 mm DH

3719 0052 34

Spare parts list

3719 0052 34 Hose ladder assembly 1800 mm DH				
Pos. No.	Part number	Quantity	Description	Remark
1	3719 0004 76	1	Hose ladder	(B)
2	3719 0004 78	1	Bracket	1"
3	3719 0004 82	1	Bulkhead	1"
4	3719 0005 30	2	Support bracket	1"
5	0211 1364 03	13	Cap screw	MC6S 10 x 35 8.8
7	0301 2344 00	13	Washer	BRB 10.5 x 20 x 2
11	0346 1003 14	2	Pipe clamp	RSGU 1 38/20
13	0216 1957 61	2	Screw, countersunk	M8x25
14	0301 2335 00	10	Washer	BRB 8.4 x 16 x 1.6 SS
15	0291 1128 18	10	Lock nut	M8 HÖG fzb ISO 7040
16	3719 0005 31	1	Bracket	
17	3719 0049 51	1	Hose ladder hose kit jic v14	
18	3719 0007 53	1	Hose ladder 1" fitting kit,jic	
19	0211 1327 03	4	Cap screw	MC6S 8 x 35 8.8
20	0211 1342 03	4	Cap screw	M8X110 FZB

Feed frame

Hose ladder 1800 mm DH V14 hose kit

3719 0049 51

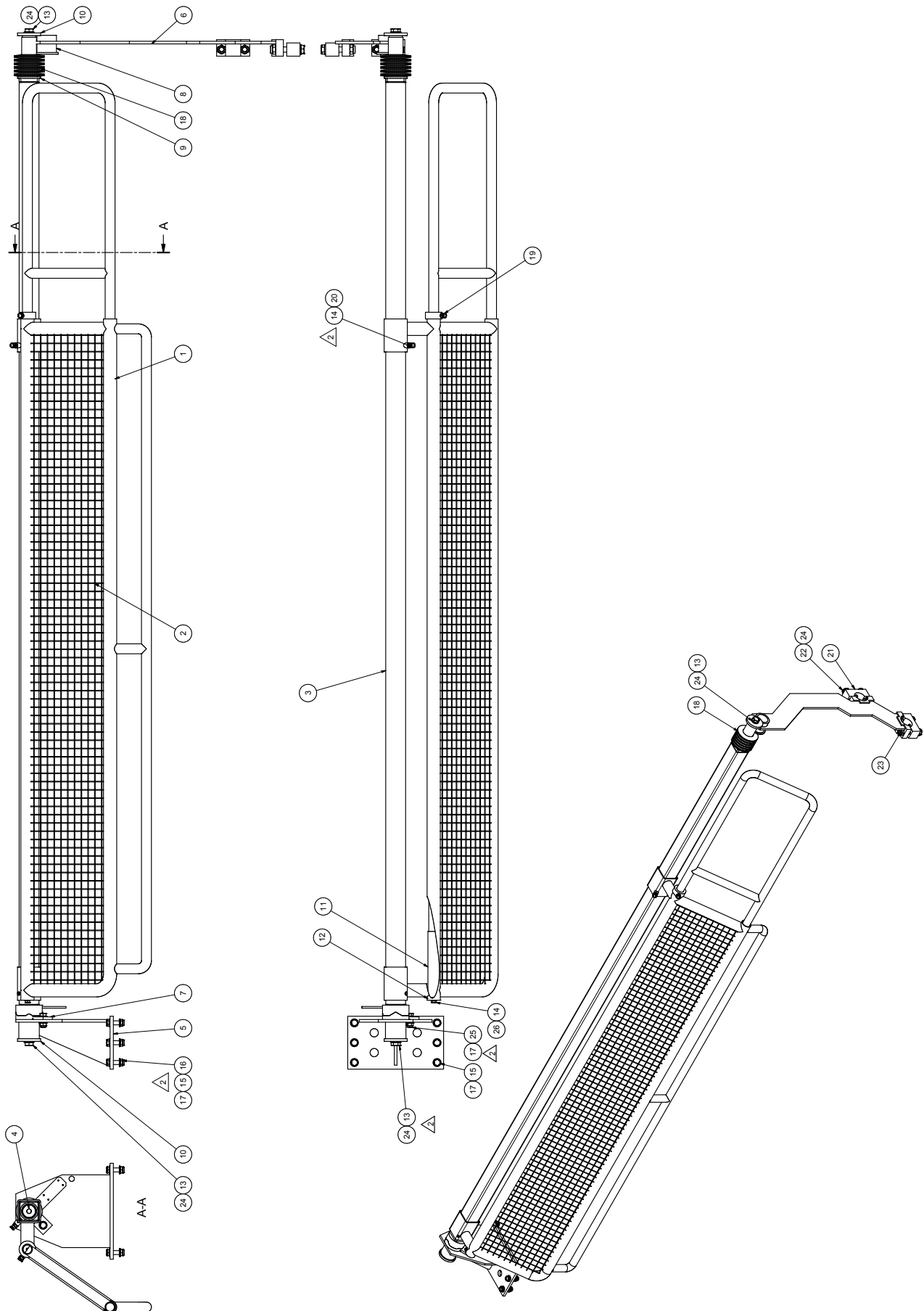
Spare parts list

3719 0049 51 Hose ladder 1800 mm DH V14 hose kit								
Pos. No.	Part number	Quantity	Hose Dia.	Hose type	Length	End A	End B	Use
6H	0574 2255 29	1	1"	1142-14-16 ISOBAR 42 CO	3 400	ORFS, UN 1.7/16-12-IR	ORFS, UN 1.7/16- 12-90B	RotR
7H	0574 2255 29	1	1"	1142-14-16 ISOBAR 42 CO	3 400	ORFS, UN 1.7/16-12-IR	ORFS, UN 1.7/16- 12-90B	RotL
8H	0574 1316 11	1	3/8"	1102-00-06 EGEFLEX 2	2 700	JIC, UNF 3/4-16-IR	JIC, UNF 3/4-16- IR	Ch
9H	0574 1277 11	1	3/8"	1102-00-06 EGEFLEX 2	2 000	JIC, UNF 3/4-16-IR	JIC, UNF 3/4-16- IR	RH
10B	0574 0072 39	1	3/4"	1106-03-12 KAPPAFLEX 3	1 050	JIC, UN 1.1/16-12-IR	JIC, UN 1.1/16- 12-90B	Fdout
11B	0574 0071 59	1	3/4"	1106-03-12 KAPPAFLEX 3	1 850	JIC, UN 1.1/16-12-IR	JIC, UN 1.1/16- 12-90B	Fdin
15H	0574 3258 17	1	3/8"	1104-03-06 KAPPAFLEX 2	3 000	JIC, UNF 3/4-16-IR	JIC, UNF 3/4-16- 90B	RPM
21H	0574 3258 18	1	1/2"	1104-03-08 KAPPAFLEX 2	3 000	JIC, UNF 7/8-14-IR	JIC, UNF 7/8-14- 90B	Drain
10H	0574 3258 19	1	1/2"	1104-03-08 KAPPAFLEX 2	2 800	JIC, UNF 7/8-14-IR	JIC, UNF 7/8-14- IR	Fdout
11H	0574 3258 19	1	1/2"	1104-03-08 KAPPAFLEX 2	2 800	JIC, UNF 7/8-14-IR	JIC, UNF 7/8-14- IR	Fdin

Feed frame

Guard assembly 1800 mm DH

3719 0011 20



Spare parts list

3719 0011 20 Guard assembly 1800 mm DH				
Pos. No.	Part number	Quantity	Description	Remark
1	3719 0002 56	1	Telescopic pipe	
2	3719 0002 57	1	Fence main part	
3	3719 0002 46	1	Guide tube	
4	3719 0002 47	1	Inner tube	
5	3719 0011 21	1	Front bracket	
6	3719 0011 22	1	Rear bracket	
7	3719 0002 50	1	Toothed bushing	
8	3719 0002 51	1	Bushing	
9	3719 0002 52	2	Back-up washer	
10	3719 0002 53	2	Washer	
11	3719 0002 54	1	Distance pipe	
12	3719 0002 55	1	Stop washer	
13	0147 1479 03	2	Screw	M6S 16 x 50
14	0147 1327 12	2	Screw	
15	0147 1404 03	6	Screw	M6S 12 x 45
16	0291 1112 00	7	Lock nut	M12 LM6M DIN 985
17	0301 2358 00	14	Washer	BRB 13 x 24 x 2.5
18	3719 0007 30	12	Disc spring	
19	0147 1323 03	1	Screw	M6S 8 x 20
20	0266 2110 00	2	Hex. Nut	M6M M8
21	3719 0002 05	2	Clamp	
22	0147 1487 03	4	Screw	M6S 16 x 90
23	0291 1114 00	4	Lock nut	M16 LM6M DIN 985-6 FZB
24	0301 2378 00	6	Washer	BRB 17 x 30 x 3
25	0147 1402 03	1	Screw	M6S 12 x 35 ISO 4017
26	0301 2335 00	1	Washer	BRB 8.4 x 16 x 1.6 SS

Feed frame

Hose ladder 850-1800 mm B-H hose kit

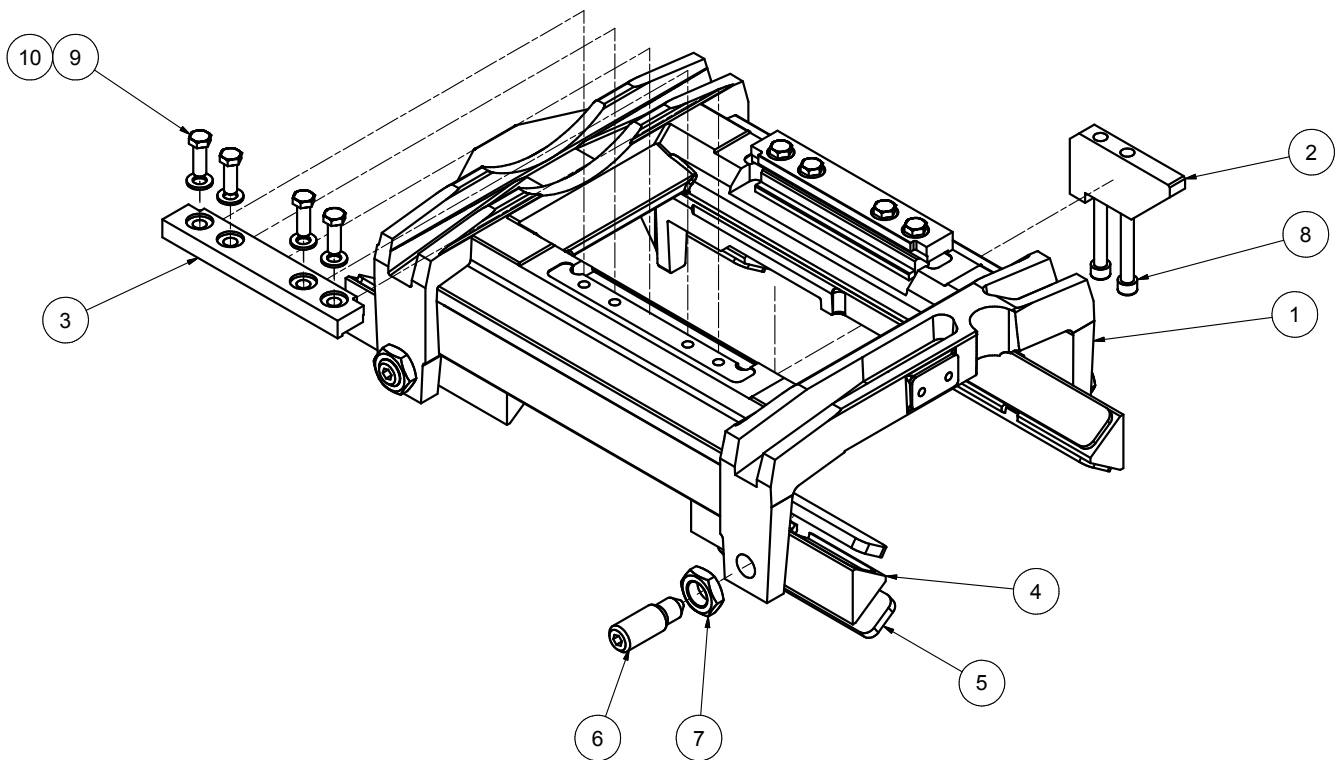
3719 0060 97

Spare parts list

3719 0060 97 Hose ladder 850-1800 mm B-H hose kit								
Pos. No.	Part number	Quantity	Hose Dia.	Hose type	Length	End A	End B	Use
6H	3719 0060 98	1	1"	1142-14-16 ISOBAR 42 CO	2 800	ORFS, UN 1.7/16-12-IR	ORFS, UN 1.7/16- 12-90B	RotR
7H	3719 0060 98	1	1"	1142-14-16 ISOBAR 42 CO	2 800	ORFS, UN 1.7/16-12-IR	ORFS, UN 1.7/16- 12-90B	RotL
8H	3176 6337 00	1	3/8"	1102-00-06 EGEFLEX 2	2 200	JIC, UNF 3/4-16-IR	JIC, UNF 3/4-16- IR	Ch
9H	0574 1273 11	1	3/8"	1102-00-06 EGEFLEX 2	1 600	JIC, UNF 3/4-16-IR	JIC, UNF 3/4-16- IR	RH
10B	3719 0060 99	1	3/4"	1106-03-12 KAPPAFLEX 3	700	JIC, UN 1.1/16-12-IR	JIC, UN 1.1/16- 12-90B	Fdout
11B	0574 0071 26	1	3/4"	1106-03-12 KAPPAFLEX 3	1 400	JIC, UN 1.1/16-12-IR	JIC, UN 1.1/16- 12-90B	Fdin
15H	3719 0061 00	1	3/8"	1104-03-06 KAPPAFLEX 2	2 600	JIC, UNF 3/4-16-IR	JIC, UNF 3/4-16- 90B	RPM
21H	3719 0061 01	1	1/2"	1104-03-08 KAPPAFLEX 2	2 600	JIC, UNF 7/8-14-IR	JIC, UNF 7/8-14- 90B	Drain

Feed frame

Cradle assembly cast.

3719 0061 21

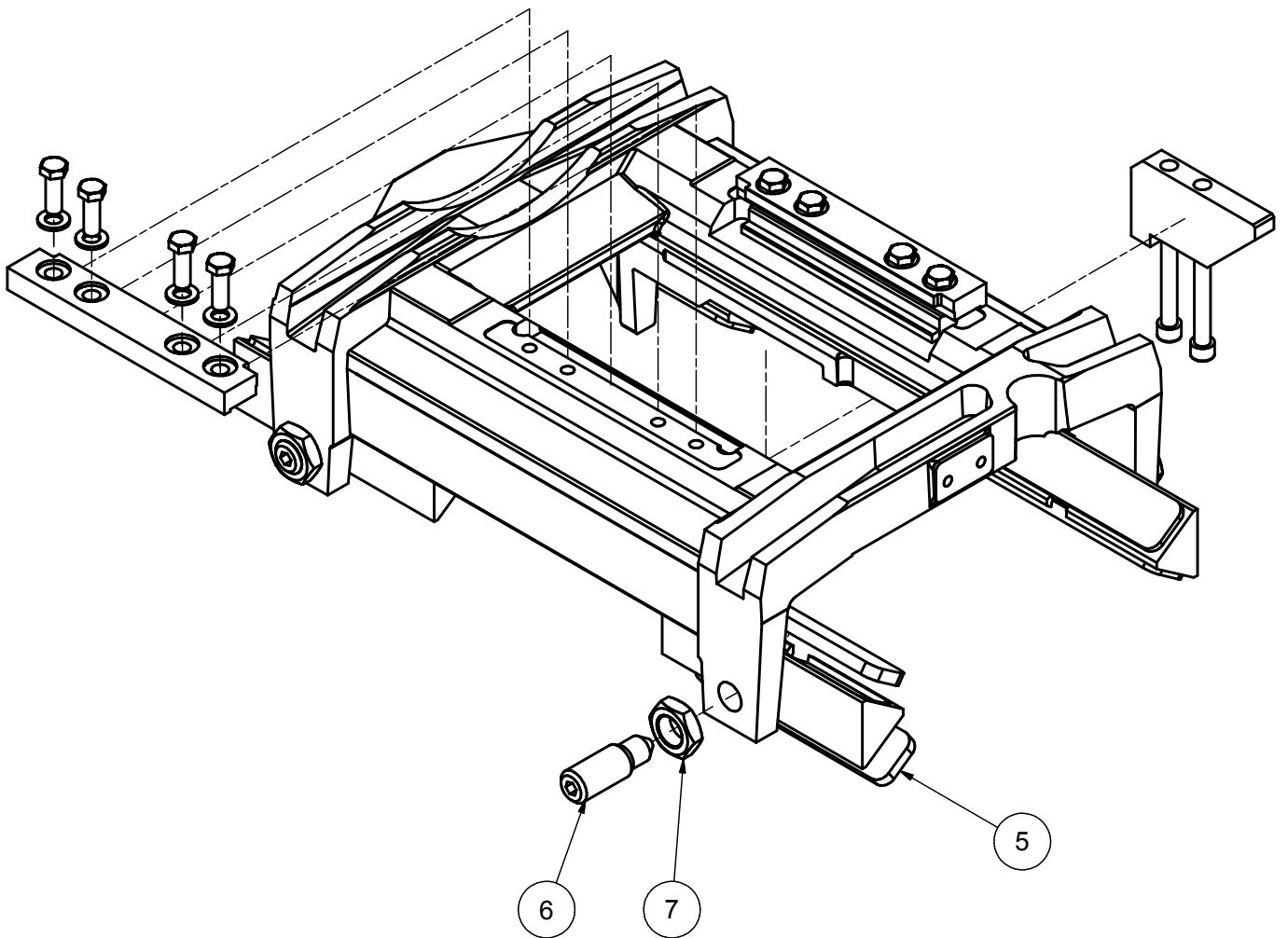
Spare parts list

3719 0061 21 Cradle assembly				
Pos. No.	Part number	Quantity	Description	Remark
1	3719 0006 38	1	Cradle (cast+mach)	
2	3719 0000 26	2	Retainer	
3	3719 0052 27	2	Securing clamp rotation unit	
4	3719 0000 28	4	Slide block	
5	3719 0000 29	8	Sliding pad	
6	3719 0000 31	4	Pin	
7	0261 1099 22	4	Hex. Nut	M27x2 H=13,5 DIN 439 B
8	0211 1411 03	4	Cap screw	MC6S 12 x 80 8.8 FZB
9	0147 1402 03	8	Screw	M6S 12 x 35 ISO 4017
10	0301 2358 00	8	Washer	BRB 13 x 24 x 2.5

Feed frame

Overhaul kit cradle cast.

3719 0004 08



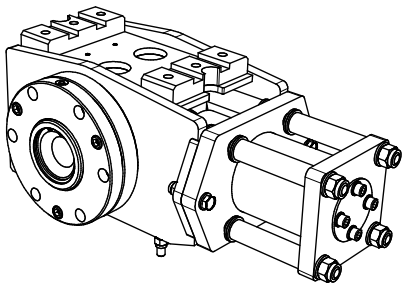
Spare parts list

3719 0004 08 Overhaul kit cradle				
Pos. No.	Part number	Quantity	Description	Remark
5	3719 0000 29	8	Sliding pad	
6	3719 0000 31	4	Pin	
7	0261 1099 22	4	Hex. Nut	M27x2 H=13,5 DIN 439 B

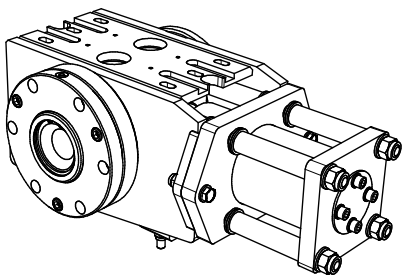
Diamec U6

Rod holder assembly

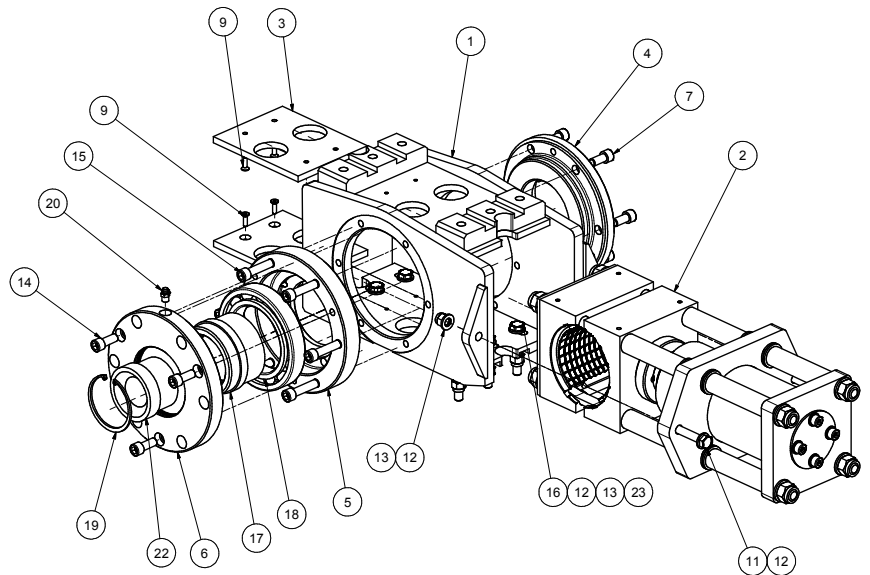
3719 0001 12



STANDARD CONFIGURATION



DEEP HOLE DRILLING CONFIGURATION

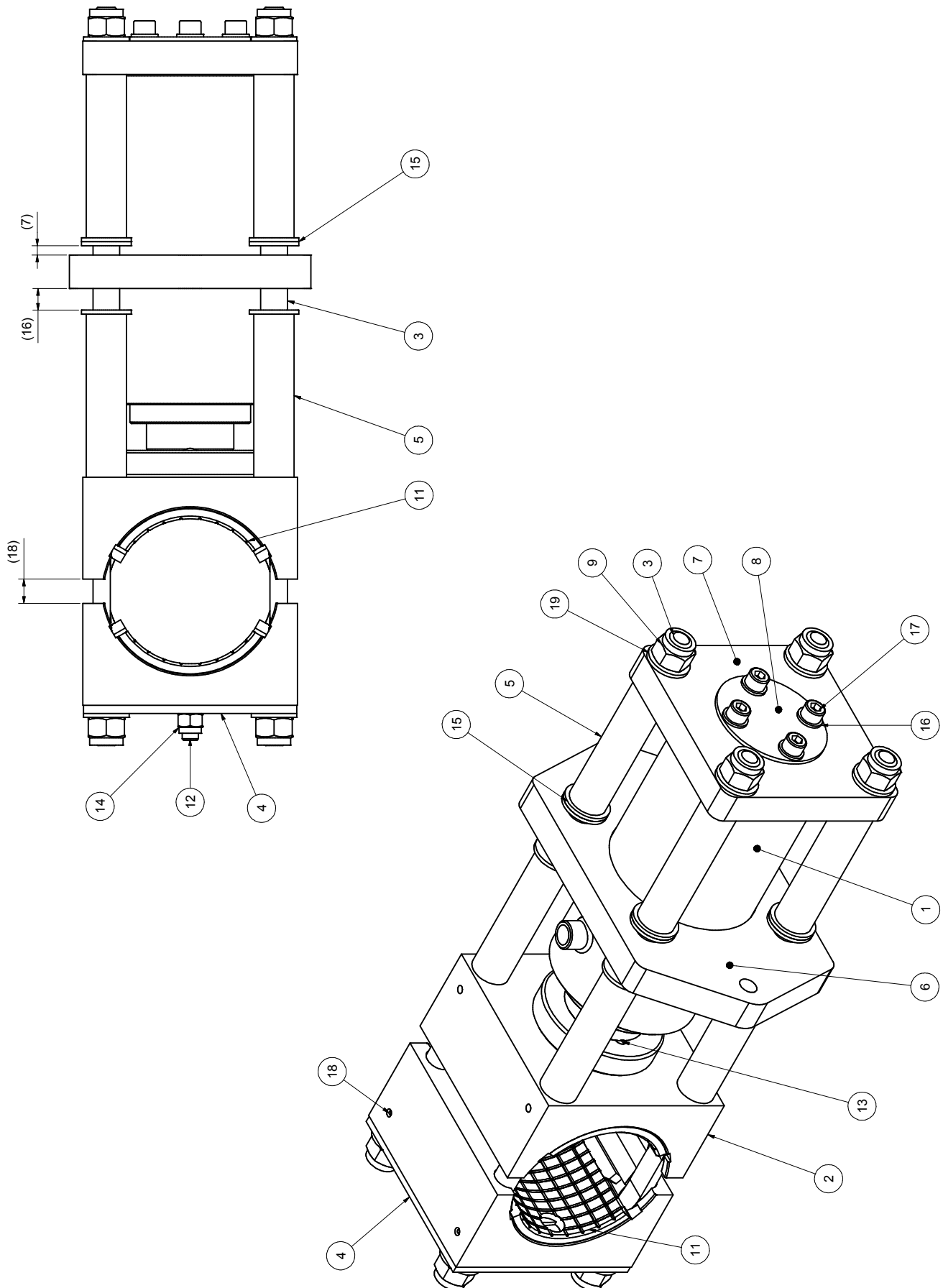


Spare parts list

3719 0001 12 Rod holder assembly				
Pos. No.	Part number	Quantity	Description	Remark
1	3719 0000 87	1	Housing	
2	3719 0000 96	1	Rod holder	
3	3719 0001 84	2	Liner	
4	3719 0001 00	1	Front cover	
4	3719 0006 22	1	Front cover	HW Casing
5	3719 0001 09	1	Back cover	
6	3719 0001 10	1	Retainer	
7	0211 1400 03	6	Cap screw	MC6S 12 x 25 8.8
9	0216 1247 03	8	Cap screw	MF6S 6 x 20 10.9 FZB
11	0147 1407 03	2	Screw	M6S 12 x 60
12	0301 2358 00	10	Washer	BRB 13 x 24 x 2.5
13	0291 1128 22	8	Lock nut	M12
14	0211 1401 03	3	Cap screw	MC6S 12 x 30 8.8 din912
15	0211 1405 03	6	Cap screw	MC6S 12 x 50 8.8 FZB
16	0147 1405 03	6	Screw	M6S 12 x 50
17	3719 0007 05	1	Socket holder	
18	0502 1121 00	1	Ball bearing	6021 2ZR FAG
19	0335 2162 00	1	Circlip	SGH 85 DIN 472
20	0544 1100 12	1	Lub. Nipple	H1 M10 X 1
22	-	1	Guide socket	See jaws and guides
23	0147 1410 03	6	Screw	M6S M12 x 75 8.8 FZB

Diamec U6

Rod holder insert

3719 0000 96


Spare parts list

3719 0000 96 Rod holder insert				
Pos. No.	Part number	Quantity	Description	Remark
1	3719 0000 88	1	Gas spring	
2	3719 0000 89	2	Jaw holder	
3	3719 0000 97	4	Tie rod	
4	3719 0001 38	1	Locking plate	
5	3719 0001 82	8	Spacer	
6	3719 0000 99	1	Mounting flange	
7	3719 0000 98	1	End plate	
8	3719 0001 83	1	Cap	
9	0291 1128 27	8	Lock nut	M6MF M18 FZB ISO 7043
11	-	1	RH jaw kit	See jaws and guides
12	0211 1402 03	2	Cap screw	MC6S 12 x 35 8.8 FZB
13	0211 1401 03	2	Cap screw	MC6S 12 x 30 8.8 din912
14	0291 1128 22	2	Lock nut	M12
15	0300 0274 13	12	Washer	BRB 21 x 37 x 3 ISO 7089
16	0301 2344 00	4	Washer	BRB 10.5 x 20 x 2
17	0211 1366 03	4	Cap screw	MC6S 10 x 45 8.8
18	0108 1296 00	4	Spring pin	FRP 5 x 20
19	0301 2386 00	8	Washer	BRB 19x34x3 FZB

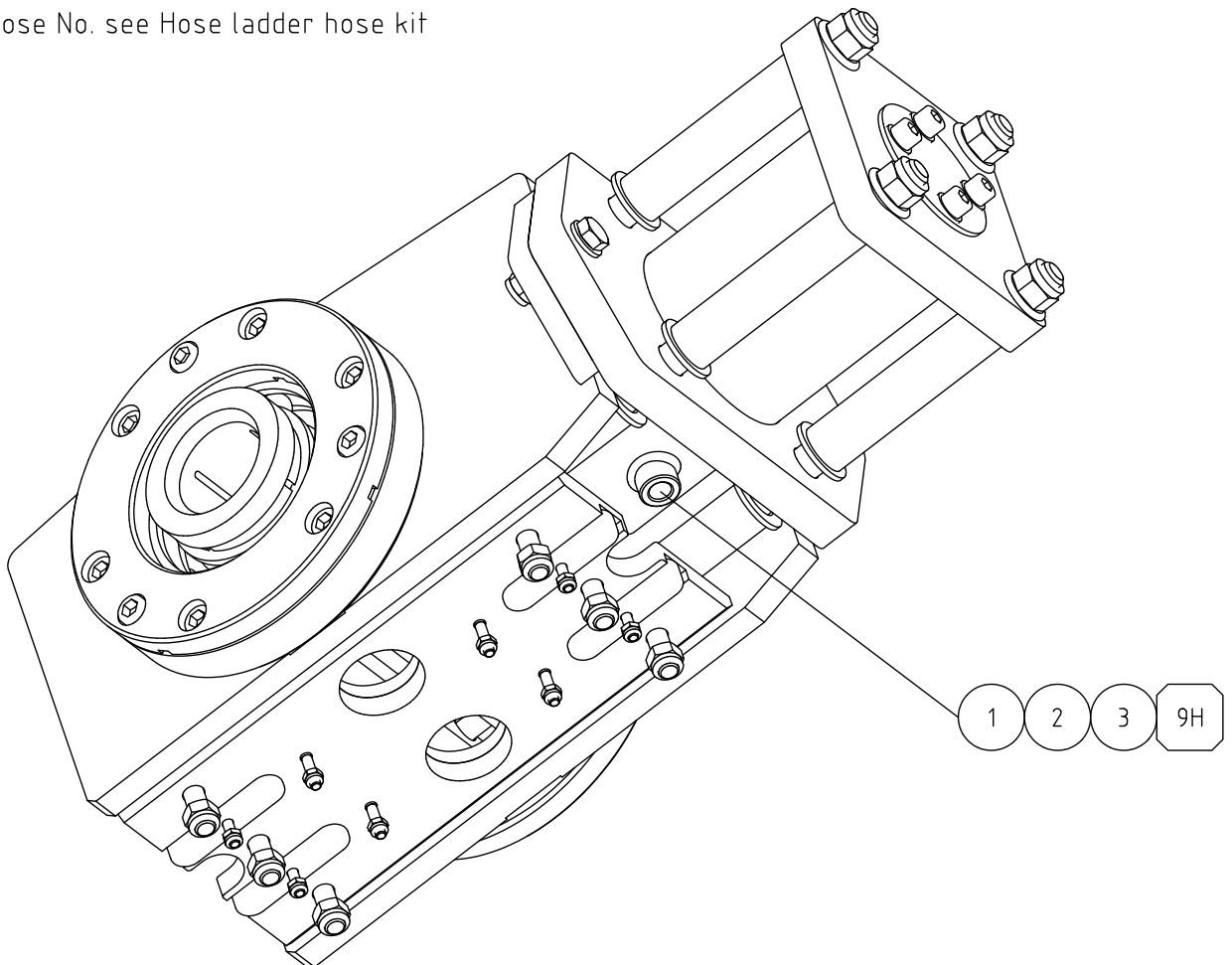
Feed frame

Rod holder fitting kit

3719 0006 03

⊕ Part No. see fitting kit 3719 0006 03

⊕ Hose No. see Hose ladder hose kit

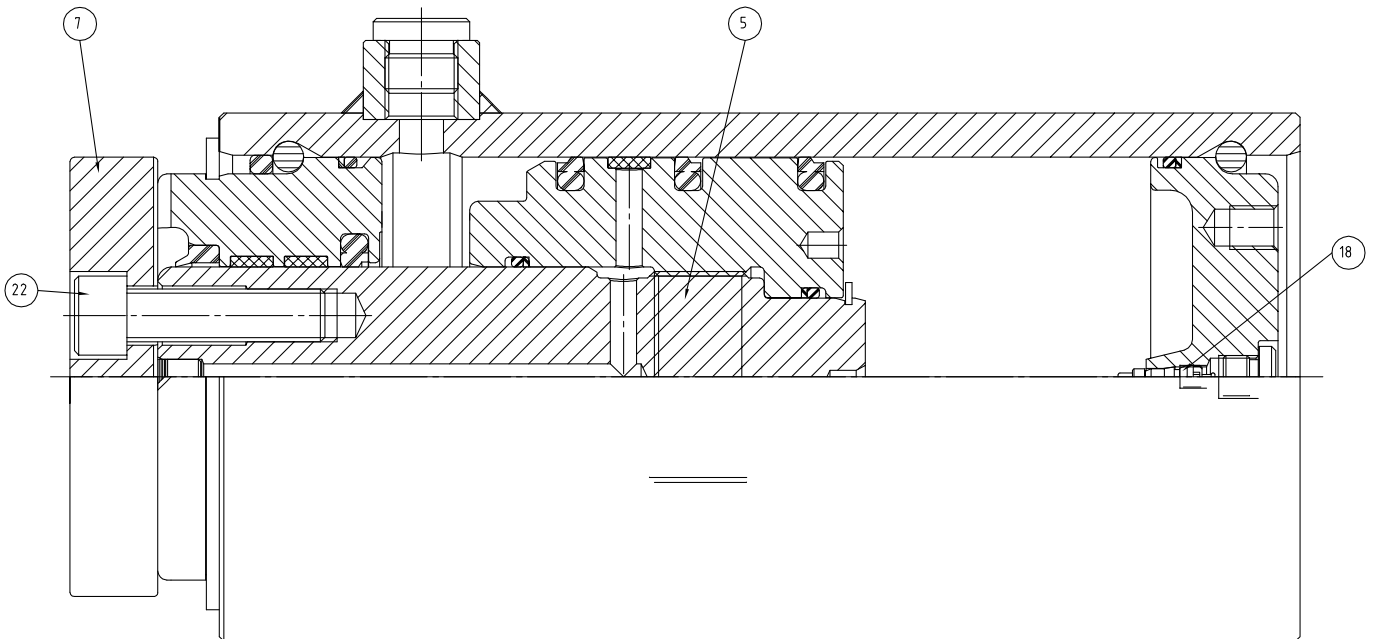


Spare parts list

3719 0006 03 Rod holder fitting kit				
Pos. No.	Part number	Quantity	Description	Remark
1	3719 0026 93	1	Nozzle	UN 3/4, G 3/8, 2mm hole
2	3176 6548 00	1	Elbow	45 GR.UN 3/4U x UN 3/4I
3	3176 5313 00	1	Cap	UN 3/4"- 16
9H	-	-	Hose	See hydraulic diagram

Diamec U6

Gas spring kit

3719 0000 88

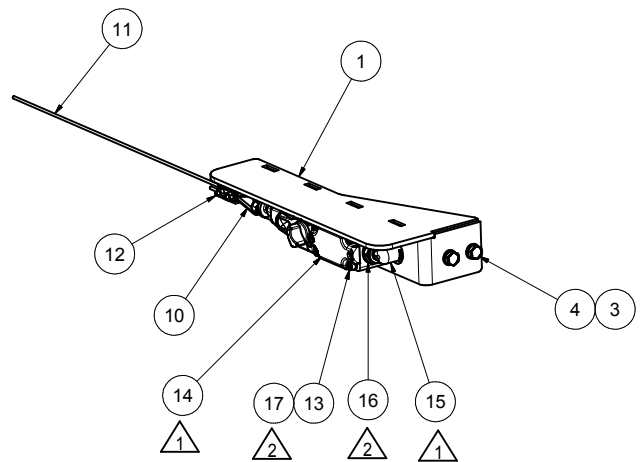
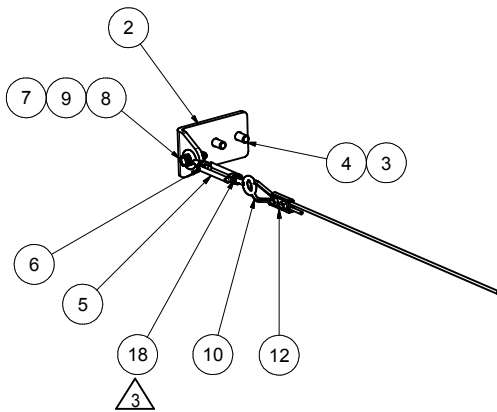
Spare parts list

3719 0000 88 Gas spring kit				
Pos. No.	Part number	Quantity	Description	Remark
-	3719 0005 67	1	Repair kit - gas spring	For 3719000088 gas spring cartridge
-	3719 0005 68	1	Tool kit - gas spring	For 3719000088 gas spring cartridge
-	3719 0014 85	1	Gas spring charging kit	For 3719000088 gas spring cartridge
5	3719 0056 13	1	Piston rod	For gas cylinder 3719000088
7	3719 0041 24	1	Mounting plate	
18	3719 0005 42	1	Valve insert - gas spring	For 3719000088 gas spring cartridge
22	0211 1404 00	2	Cap screw	MC6S 12 x 45 12.9

Feed frame

E-stop kit

3719 0019 61

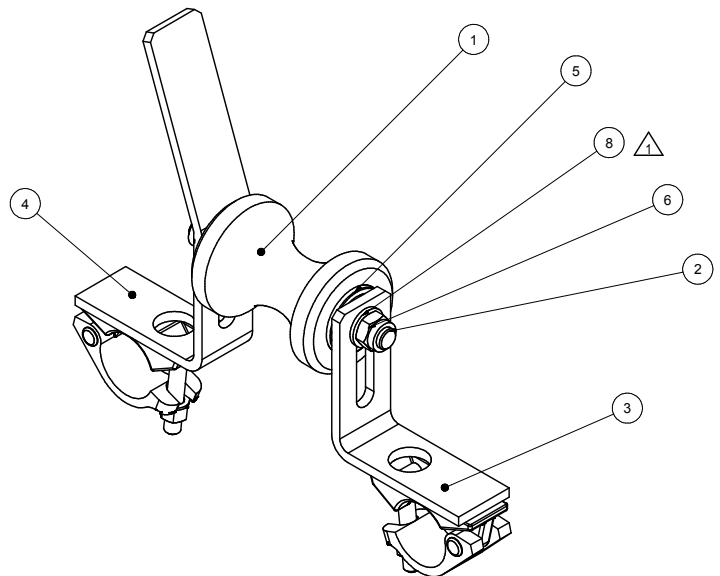
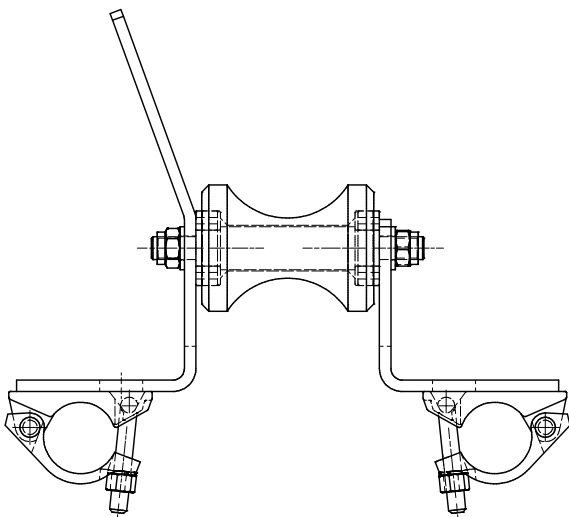


Spare parts list

3719 0019 61 E-stop kit				
Pos. No.	Part number	Quantity	Description	Remark
1	3719 0019 59	1	E-stop bracket front	
2	3719 0019 60	1	E-stop bracket rear	
3	0301 2335 00	4	Washer	BRB 8.4 x 16 x 1.6 SS
4	0147 1323 03	4	Screw	M6S 8 x 20
5	3716 5503 00	1	Turn buckle	
6	0266 2107 00	1	Hex. Nut	M6M M5 8
7	0291 1128 15	1	Lock nut	M6 HÖG fzb ISO 7040
8	0147 1249 03	1	Screw	M6S 6 x 25
9	0301 2321 00	2	Washer	BRFB 6.4 x 12.5 x 1.5
10	3716 5504 00	2	Thimble	
11	3716 5501 00	3	Wire	PLASTMANTLAD STÅLWIRE
12	3716 5502 00	2	Wire lock	DUPLEXKLÄMMA
13	0211 1213 03	4	Cap screw	MC6S 5 X 40 8.8 FZB
14	3716 5500 00	1	Emergency stop	
15	3719 0057 94	1	Cable connector	
16	3719 0057 95	1	Reduction	M20-M16
17	0301 2318 00	4	Washer	5.3x10x1 FZB
18	0261 1090 89	1	Nut	M5 LEFT HANDED

Feed frame

Top pulley

3719 0001 93

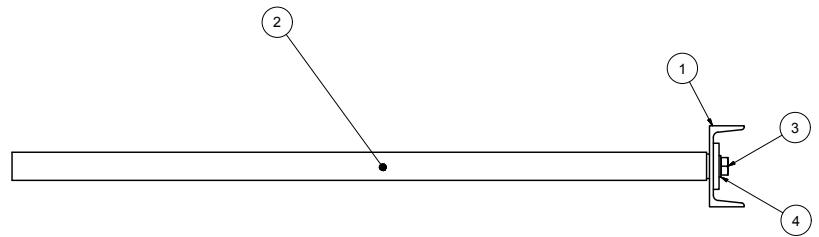
Spare parts list

3719 0001 93 Top pulley				
Pos. No.	Part number	Quantity	Description	Remark
1	3715 6341 00	1	Pulley	
2	3715 6342 00	1	Shaft	
3	3719 0001 07	1	Bracket	
4	3719 0001 75	1	Bracket	
5	0502 2230 00	2	Ball bearing	
6	0291 1114 00	2	Lock nut	M16 LM6M DIN 985-6 FZB
7	3719 0004 45	3	Pipe extension	(1,5m)
8	0301 2378 00	2	Washer	BRB 17 x 30 x 3

Feed frame

Standard wall bracket assembly

3719 0002 17



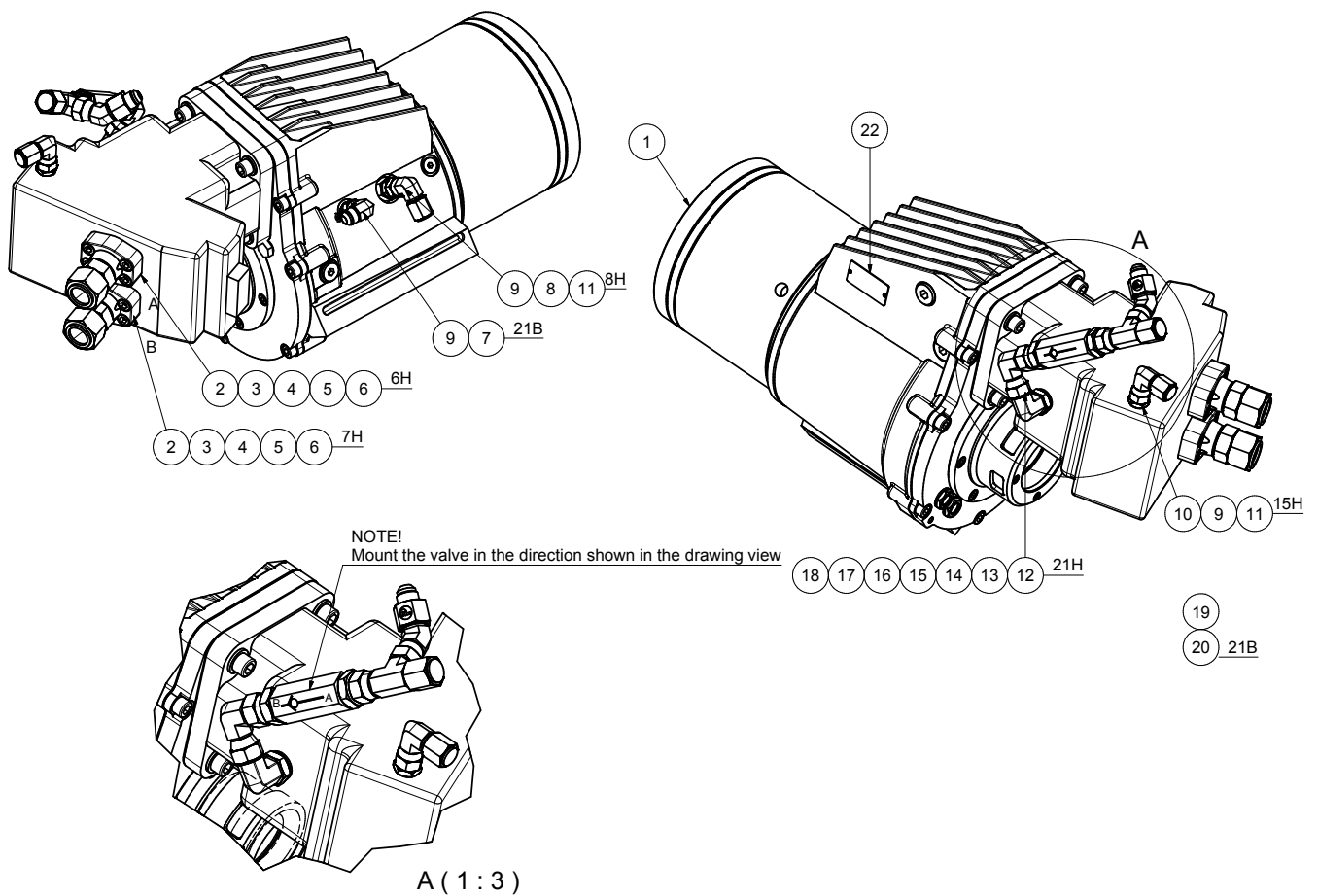
Spare parts list

3719 0002 17 Standard wall bracket assembly				
Pos. No.	Part number	Quantity	Description	Remark
1	3719 0001 08	1	Wall channel	
2	3715 6973 00	2	Extension leg	
3	0147 1552 03	2	Screw	M6S M20 x 55 FZB
4	0301 2394 00	2	Washer	BRFB 21 x 37 x 3 FZB

Rotation unit

Rotation unit A-N Basic 60cc complete

3719 0068 62

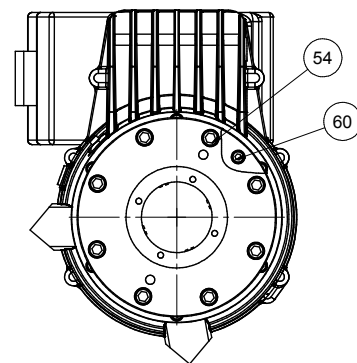
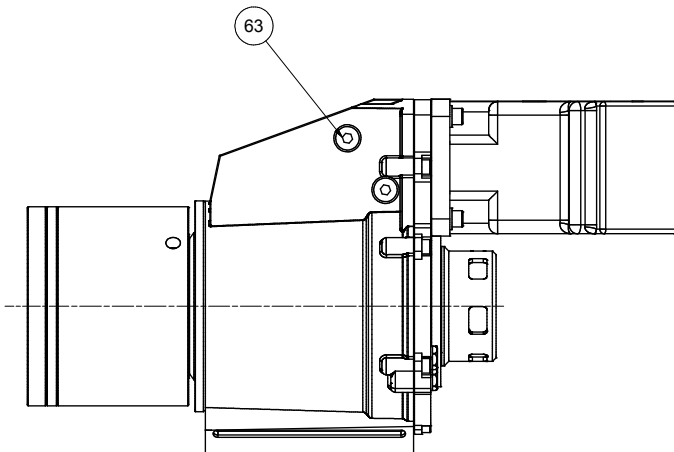
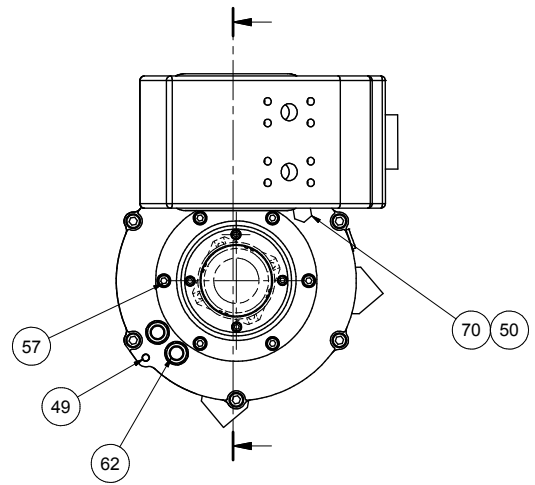
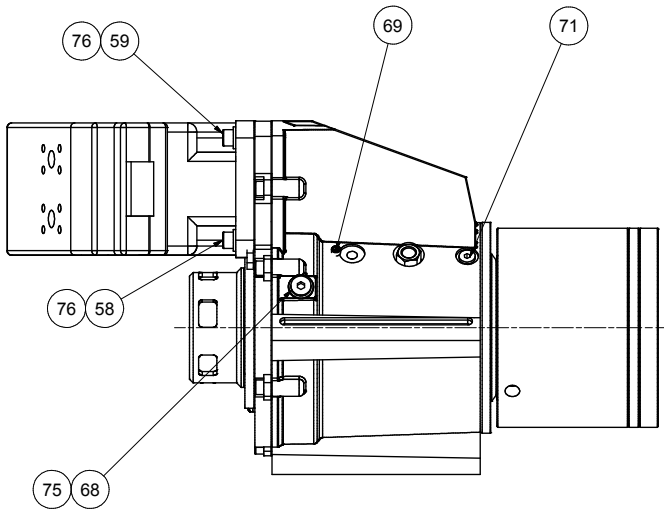


Spare parts list

3719 0068 62 Rotation unit A-N Basic 60cc complete				
Pos. No.	Part number	Quantity	Description	Remark
1	3719 0068 61	1	Rot.Unit A-N, basic 60cc	(B)
2	0663 9182 00	2	O-ring	24.99 x 3.53
3	3719 0005 32	2	Flange	SAE6-G3/4
4	0211 1364 03	8	Cap screw	MC6S 10 x 35 8.8
5	0570 7000 23	2	Nipple, orfs	UN 1 7/16-12 - BSPP 3/4
6	0570 7000 11	2	Cap	UN 1 7/16-12
7	3176 6511 00	1	Nipple	UN 3/4 x R 1/4
8	3176 6512 00	1	Nipple	R 3/8 - UN 3/4
9	3176 3060 00	3	Elbow	UN 3/4"
10	0570 5010 42	1	Nipple	JIC 3/4 - M14x1,5
11	3176 5313 00	2	Cap	UN 3/4"- 16
12	0570 5090 55	1	Elbow	UN 7/8" x M22x1,5
13	3715 0585 00	1	Elbow	UN 7/8 U x UN 7/8 I
14	3176 8490 00	1	Nipple	UN 7/8" x R 1/2"
15	3742 1278 00	1	Count.Press.Valve	
16	3176 6515 00	1	Nipple	UN 7/8 x R 1/2
17	3176 6590 00	1	Tee	UN 7/8 x UN 7/8
18	3715 0597 00	1	Cap	UN 7/8"-14
19	3176 6549 00	1	Elbow	45 UN 7/8-UN 7/8
20	3176 7336 00	1	Nipple	UN 3/4 x 7/8
21	0574 0071 33	1	Hose 3/8" l=350 360bar	JIC, UNF 3/4-16-IR / JIC, UNF 3/4-16-IR
22	3716 5577 03	1	Sign	ROTATION UNIT
23	3719 0068 51	1	Sensor bracket A-N rot	

Rotation unit

Rotation unit A-N Basic 60 cc

3719 0068 61

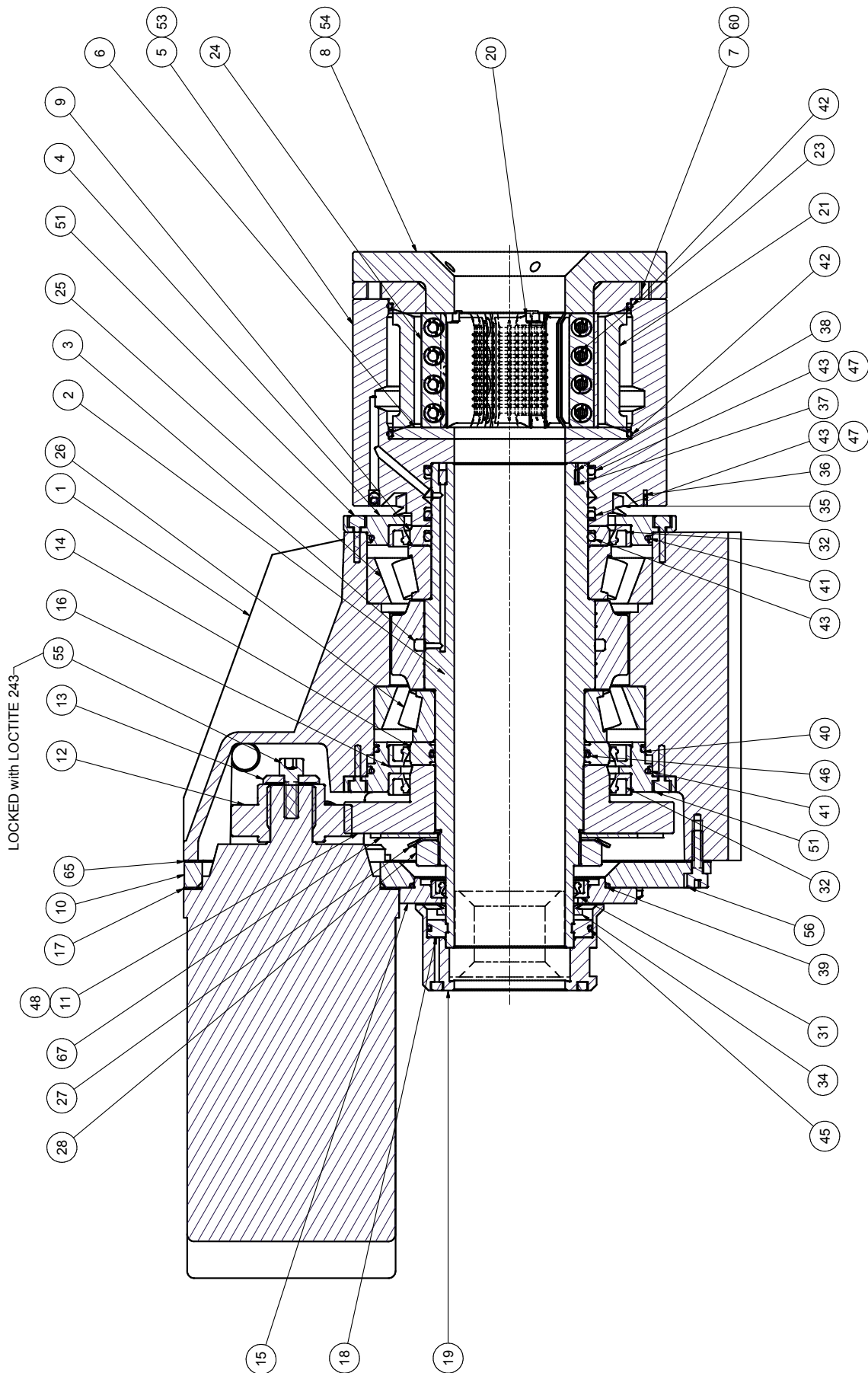
Spare parts list

3719 0068 61 Rotation unit A-N Basic 60cc				
Pos. No.	Part number	Quantity	Description	Remark
1	3719 0068 20	1	Housing A-N	
2	3719 0067 25	1	Shaft A-N	
3	3719 0060 43	1	Bushing a-n rotation	
4	3719 0000 05	1	Front flange	
5	3719 0000 16	1	Chuck housing	
6	3719 0000 19	1	Wear washer	
7	3719 0000 18	1	Inner flange	
8	3719 0000 17	1	Flange	
9	3719 0000 09	1	Spacer ring	
10	3719 0000 03	1	Cover a-n	
11	3719 0000 07	1	Gear wheel	
12	3719 0000 06	1	Pinion	
13	3719 0000 08	1	Washer	
14	3719 0000 10	1	Ring	
15	3719 0000 11	1	Rear flange	
16	3719 0000 13	1	Inner ring	
17	3719 0068 50	1	Gasket	
18	3719 0000 12	2	Locking ring	
19	3719 0019 25	1	Guide cover	
20	3716 5879 00	4	Guide pin	
21	3716 6128 00	1	Rubber muff	
22	3719 0060 46	1	Connection	
23	3715 8730 00	16	Spring	
24	3719 0000 36	4	Jaw holder	
25	0509 0121 20	1	Bearing	
26	0509 0121 19	1	Bearing	
27	0333 6121 00	1	Lock washer	MB-20
28	0295 3121 00	1	Lock nut	KM-20
29	0663 3123 00	1	O-ring	16.3 x 2.4 FPM
30	0663 2125 01	1	O-ring	19.2 x 3 90 Grader
31	0666 6000 22	1	Seal	
32	0666 6000 44	3	Seal	
34	3715 3042 00	1	V-ring	
35	0666 8000 17	1	Seal	
37	3715 3202 00	4	Plug	8.4 X 10
38	3719 0009 73	4	Plug	
39	0663 2111 48	1	O-ring	134 x 3.0
40	0663 2111 22	1	O-ring	183,74 x 3,53
41	9126 6071 00	2	O-ring	190.09 x 3.53
42	0663 2111 49	2	O-ring	160 x 3,55
43	0663 2149 00	3	O-ring	109.1 x 5.7 70 GR
45	0663 2109 16	1	O-ring	110 x 3,00
46	0663 2103 72	1	O-ring	104.4 x 3.53
47	0661 1567 00	2	Back-up ring	PTFE 110 x 120 x 1. 7
48	0337 7198 00	1	Parallel key	12 x 8 x 45 RK SMS 2306 DIN 6885A

Rotation unit

Rotation unit A-N Basic 60 cc

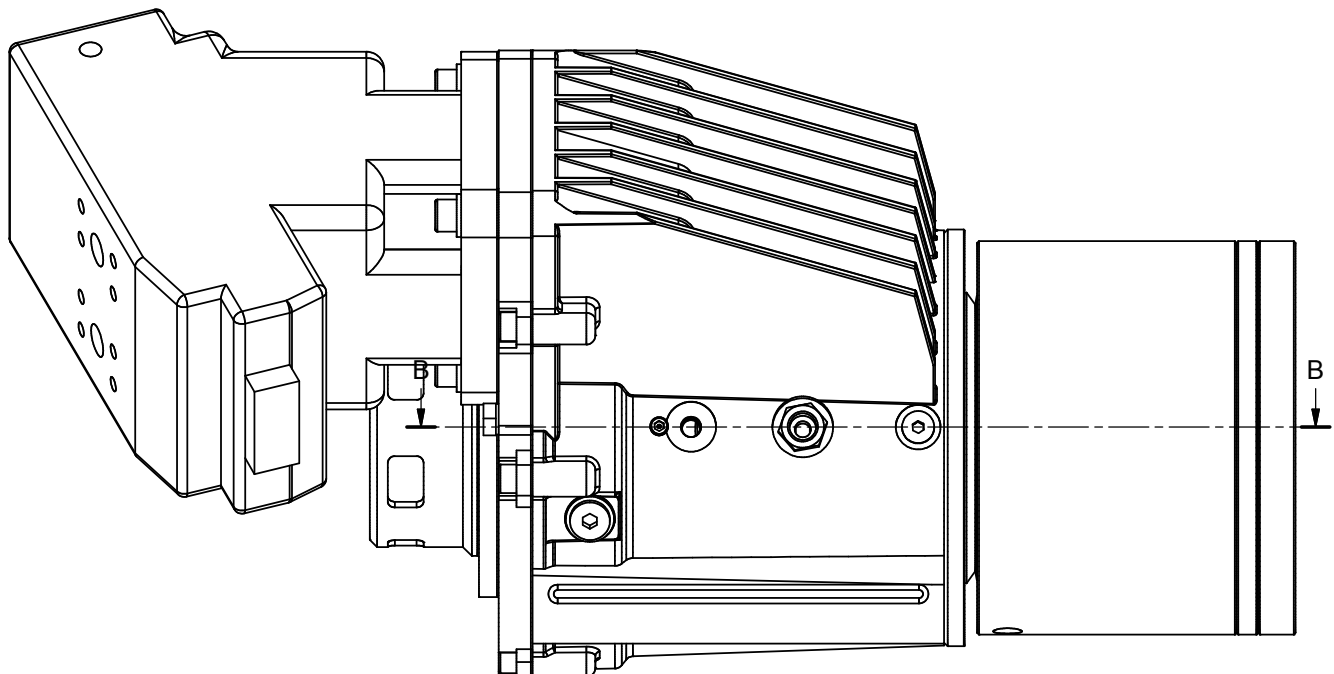
3719 0068 61



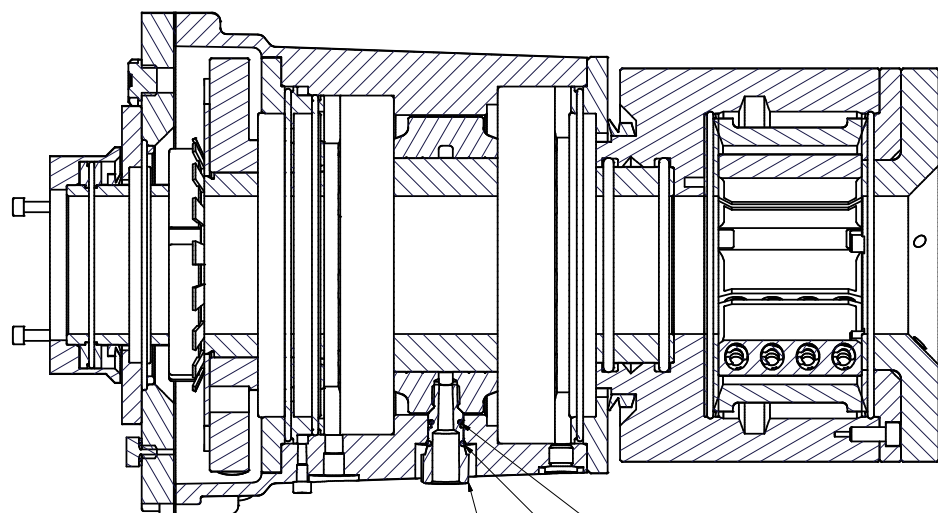
Rotation unit

Rotation unit A-N Basic 60 cc

3719 0068 61



B-B (1 : 2)



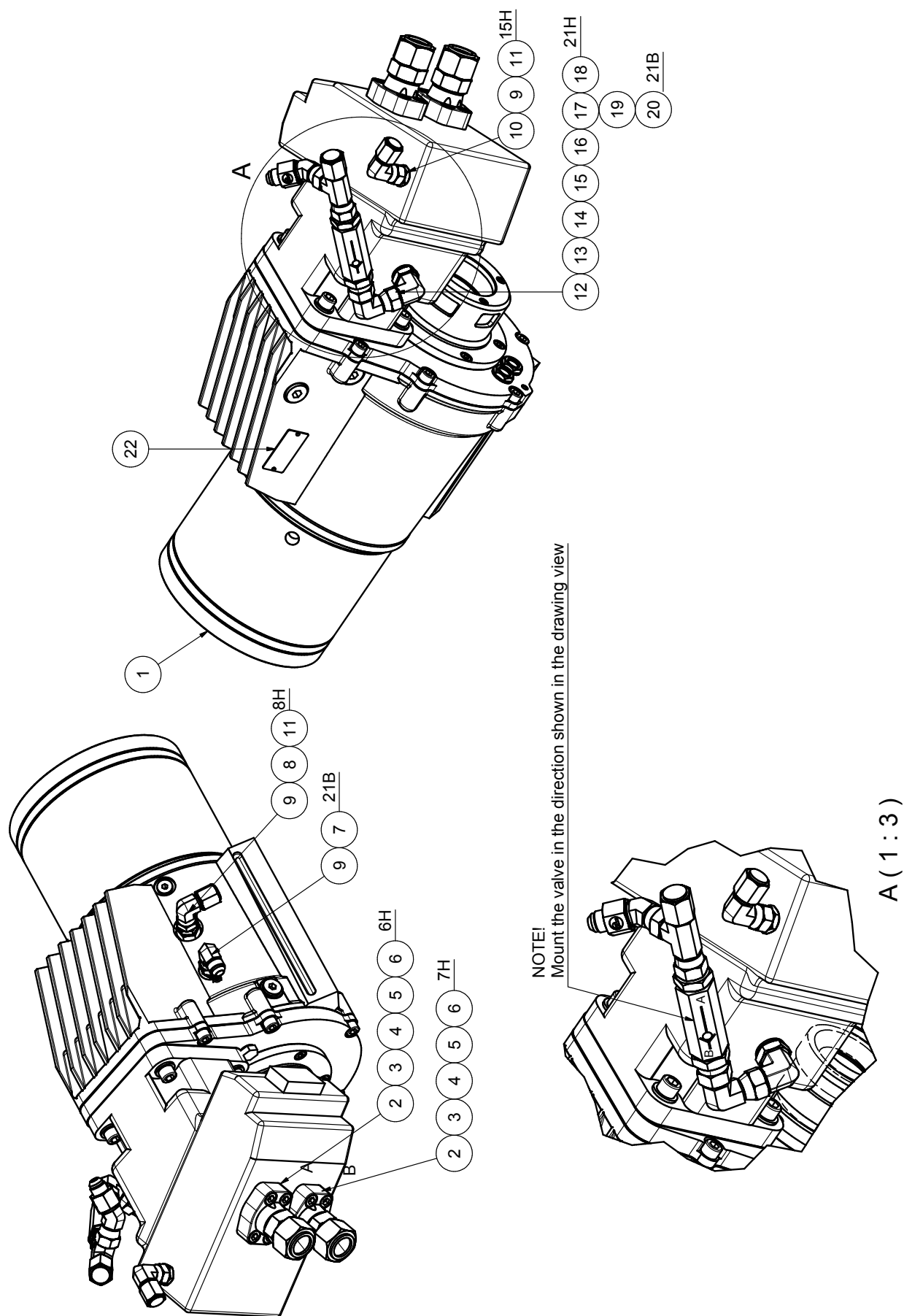
Tightening torque 60Nm

3719 0068 61 Rotation unit A-N Basic 60cc				
Pos. No.	Part number	Quantity	Description	Remark
49	0101 1366 00	2	Parallel pin	8 x 35 H6 din 6325
50	0661 1005 00	1	Seal washer	TREDO 112
51	0211 1957 57	12	Cap screw	MC6S 8 x 25 10.9 Din 912
52	0211 1253 00	4	Cap screw	MC6S 6 x 45
53	0211 1957 74	8	Cap screw	MC6S 10 x 45 10.9
54	0211 1964 33	8	Cap screw	MC6S 12 x 35 10.9
55	0211 1401 03	1	Cap screw	MC6S 12 x 30 8.8 din912
56	0211 1957 71	7	Cap screw	MC6S 10 x 30 10.9
57	0211 1320 03	6	Cap screw	MC6S 8 x 12 8.8 Helgängad
58	0211 1964 34	2	Cap screw	MC6S 12 x 45 10.9
59	0211 1964 36	2	Cap screw	MC6S 12 x 60 10.9
60	0211 1957 56	4	Cap screw	MC6S 8 x 20 10.9 Din 912
62	3719 0002 02	2	Oil indicator	
63	0686 3718 02	2	Plug	VSTI R 1/2-ED
64	3719 0003 59	1	Hydraulic motor, 60cc variable	
65	3719 0068 49	1	Gasket	
67	3719 0002 41	1	Indicator disc	
68	3176 7868 06	1	Plug	3/4-16 UNF
69	3719 0005 44	1	Breather plug	
70	3719 0005 45	1	Plug	
71	0686 6442 07	1	Plug	VSTI R 1/4-ED
75	0661 1030 00	1	Seal washer	TREDO 17

Rotation unit

Rotation unit A-N Basic 80 cc complete

3719 0068 53

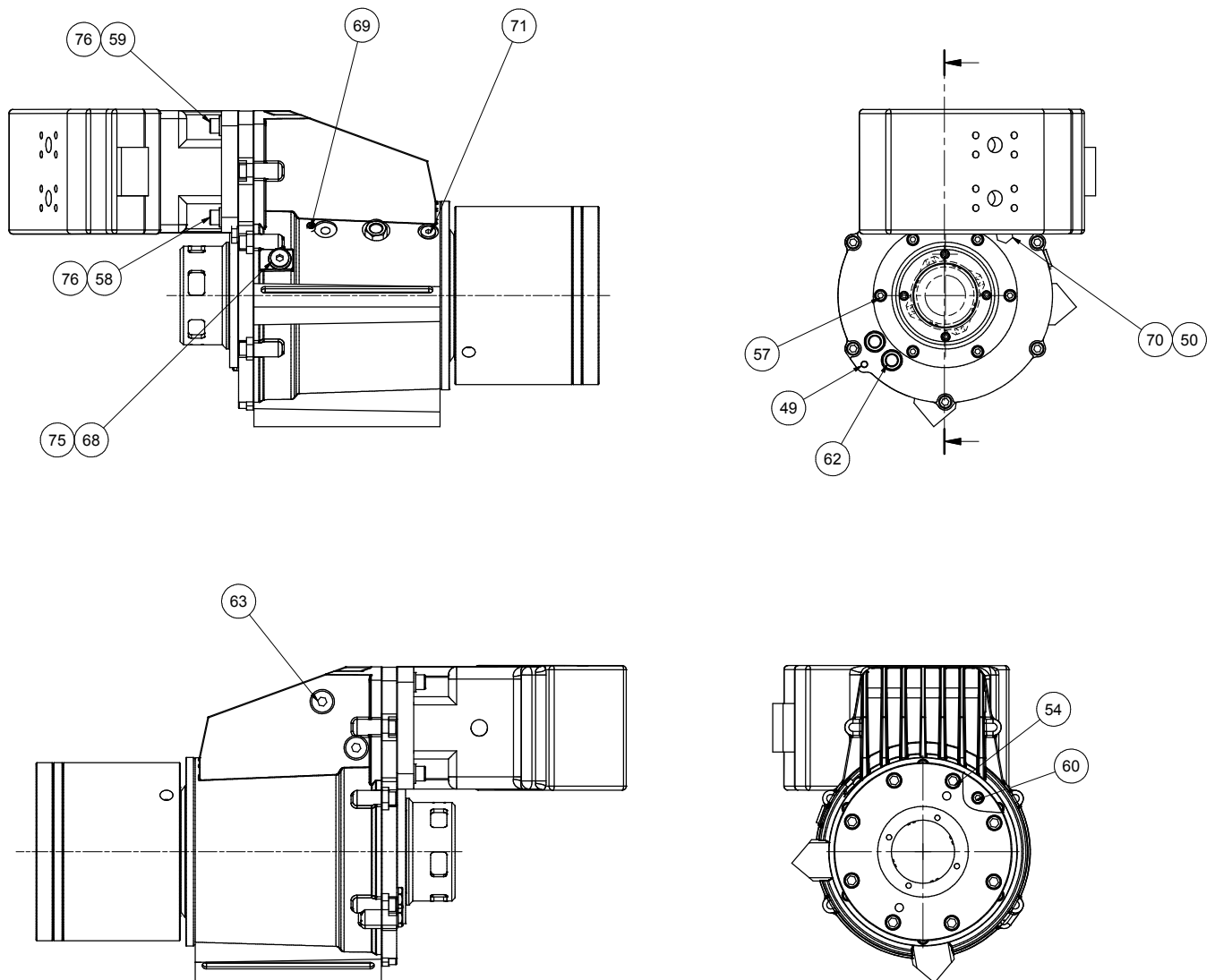


3719 0068 53 Rotation unit A-N Basic 80cc complete				
Pos. No.	Part number	Quantity	Description	Remark
1	3719 0068 52	1	Rot.Unit A-N, basic 80cc	
2	0663 9182 00	2	O-ring	24.99 x 3.53
3	3719 0005 32	2	Flange	
4	0211 1364 03	8	Cap screw	MC6S 10 x 35 8.8
5	0570 7000 23	2	Nipple	UN 1 7/16-12 - BSPP 3/4
6	0570 7000 11	2	Cap	UN 1 7/16-12
7	3176 6511 00	1	Nipple	UN 3/4 x R 1/4
8	3176 6512 00	1	Nipple	R 3/8 - UN 3/4
9	3176 3060 00	3	Elbow	UN 3/4"
10	0570 5010 42	1	Nipple	JIC 3/4 - M14x1,5
11	3176 5313 00	2	Cap	UN 3/4"- 16
12	0570 5090 55	1	Elbow	UN 7/8" x M22x1,5
13	3715 0585 00	1	Elbow	UN 7/8 U x UN 7/8 I
14	3176 8490 00	1	Nipple	UN 7/8" x R 1/2"
15	3742 1278 00	1	Count.Press.Valve	
16	3176 6515 00	1	Nipple	UN 7/8 x R 1/2
17	3176 6590 00	1	Tee	UN 7/8 x UN 7/8
18	3715 0597 00	1	Cap	UN 7/8"-14
19	3176 6549 00	1	Elbow	45 UN 7/8-UN 7/8
20	3176 7336 00	1	Nipple	UN 3/4 x 7/8
21	0574 0071 33	1	Hose 3/8" l=350 360bar	JIC, UNF 3/4-16-IR / JIC, UNF 3/4-16-IR
22	3716 5577 03	1	Sign	ROTATION UNIT
23	3719 0068 51	1	Sensor bracket A-N rotation unit	
-	0017 1392 85	1	Mereta 68	L=0,600 m

Rotation unit

Rotation unit A-N, Basic 80 cc

3719 0068 52

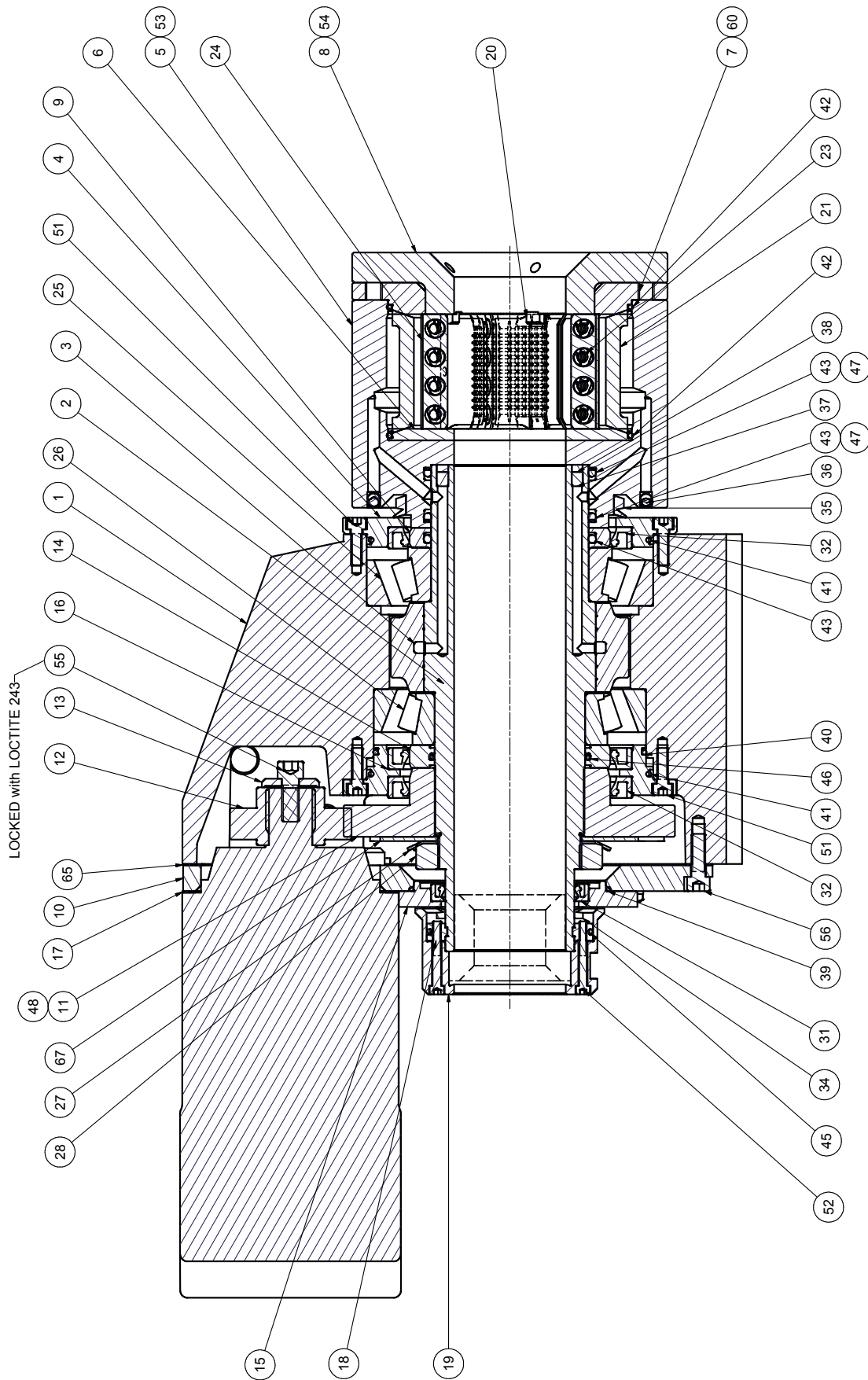


3719 0068 52 Rotation unit A-N, Basic 80 cc				
Pos. No.	Part number	Quantity	Description	Remark
1	3719 0068 20	1	Housing A-N	
2	3719 0067 25	1	Shaft A-N	
3	3719 0060 43	1	Bushing A-N rotation	
4	3719 0000 05	1	Front flange	
5	3719 0000 16	1	Chuck housing	
6	3719 0000 19	1	Wear washer	
7	3719 0000 18	1	Inner flange	
8	3719 0000 17	1	Flange	
9	3719 0000 09	1	Spacer ring	
10	3719 0000 03	1	Cover a-n	
11	3719 0000 07	1	Gear wheel	
12	3719 0000 06	1	Pinion	
13	3719 0000 08	1	Washer	
14	3719 0000 10	1	Ring	
15	3719 0000 11	1	Rear flange	
16	3719 0000 13	1	Inner ring	
17	3719 0068 50	1	Gasket	
18	3719 0000 12	2	Locking ring	
19	3719 0019 25	1	Guide cover	
20	3716 5879 00	4	Guide pin	
21	3716 6128 00	1	Rubber muff	
22	3719 0060 46	1	Connection	
23	3715 8730 00	16	Spring	
24	3719 0000 36	4	Jaw holder	
25	0509 0121 20	1	Bearing	
26	0509 0121 19	1	Bearing	
27	0333 6121 00	1	Lock washer	MB-20
28	0295 3121 00	1	Lock nut	KM-20
29	0663 3123 00	1	O-ring	16.3 x 2.4 FPM
30	0663 2125 01	1	O-ring	19.2 x 3 90 Grader
31	0666 6000 22	1	Seal	
32	0666 6000 44	3	Seal	
34	3715 3042 00	1	V-ring	
35	0666 8000 17	1	Seal	
37	3715 3202 00	4	Plug	8.4 X 10
38	3719 0009 73	4	Plug	
39	0663 2111 48	1	O-ring	134 x 3.0
40	0663 2111 22	1	O-ring	183,74 x 3,53
41	9126 6071 00	2	O-ring	190.09 x 3.53
42	0663 2111 49	2	O-ring	160 x 3,55
43	0663 2149 00	3	O-ring	109.1 x 5.7 70 GR
45	0663 2109 16	1	O-ring	110 x 3,00
46	0663 2103 72	1	O-ring	104.4 x 3.53
47	0661 1567 00	2	Back-up ring	PTFE 110 x 120 x 1. 7

Rotation unit

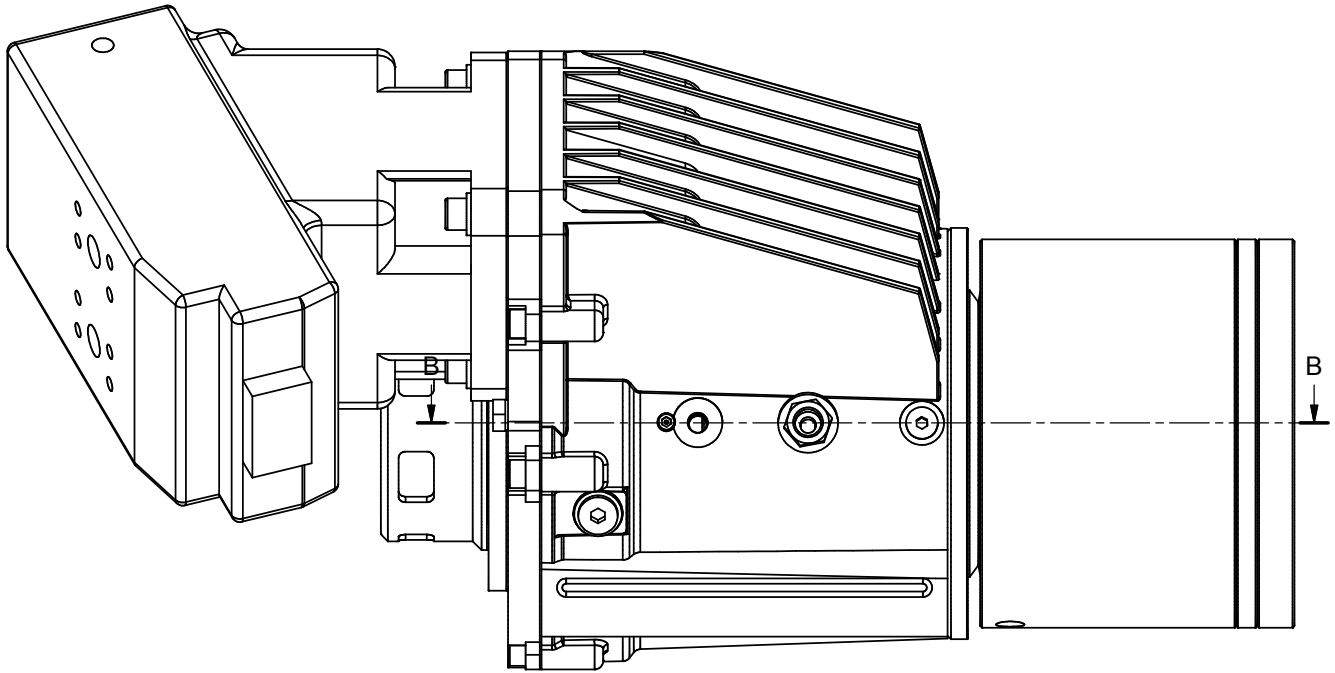
Rotation unit A-N, Basic 80 cc

3719 0068 52

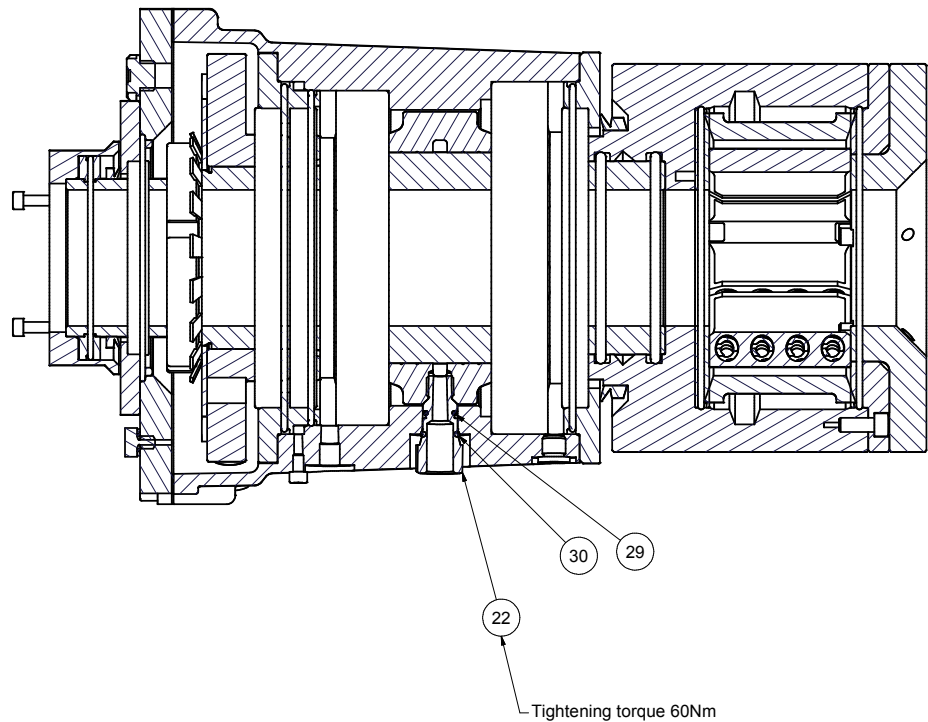


Rotation unit

Rotation unit A-N, Basic 80 cc

3719 0068 52

B-B (1 : 2)

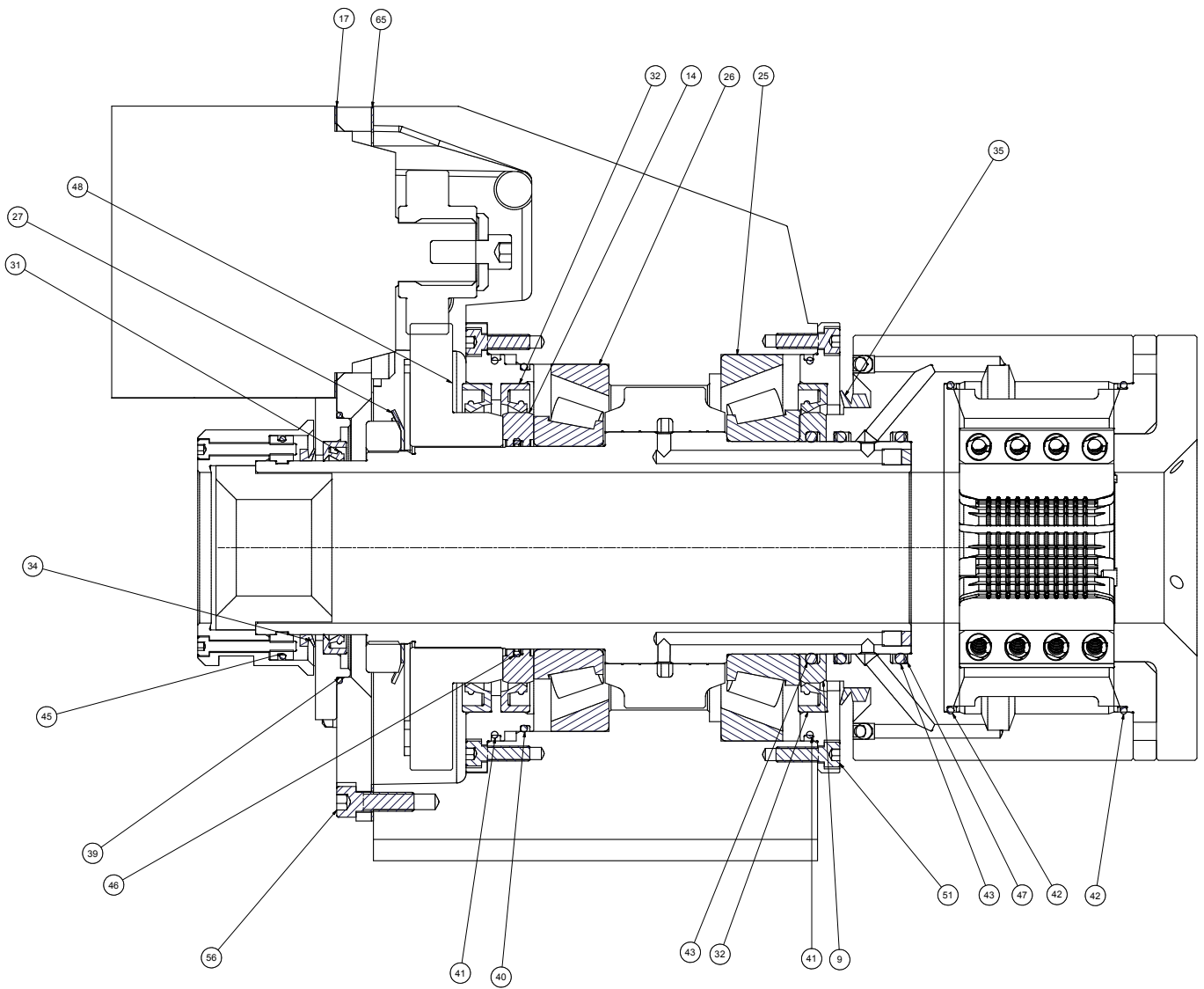


Spare parts list

3719 0068 52 Rotation unit A-N, Basic 80 cc				
Pos. No.	Part number	Quantity	Description	Remark
48	0337 7198 00	1	Parallel key	12 x 8 x 45 RK SMS 2306 DIN 6885A
49	0101 1366 00	2	Parallel pin	8 x 35 H6 din 6325
50	0661 1005 00	1	Seal washer	TREDO 112
51	0211 1957 57	12	Cap screw	MC6S 8 x 25 10.9 Din 912
52	0211 1253 00	4	Cap screw	MC6S 6 x 45
53	0211 1957 74	8	Cap screw	MC6S 10 x 45 10.9
54	0211 1964 33	8	Cap screw	MC6S 12 x 35 10.9
55	0211 1401 03	1	Cap screw	MC6S 12 x 30 8.8 din912
56	0211 1957 71	7	Cap screw	MC6S 10 x 30 10.9
57	0211 1320 03	6	Cap screw	MC6S 8 x 12 8.8 Helgängad
58	0211 1964 34	2	Cap screw	MC6S 12 x 45 10.9
59	0211 1964 36	2	Cap screw	MC6S 12 x 60 10.9
60	0211 1957 56	4	Cap screw	MC6S 8 x 20 10.9 Din 912
62	3719 0002 02	2	Oil indicator	
63	0686 3718 02	2	Plug	VSTI R 1/2-ED
64	3719 0005 29	1	Hydraulic motor, 80cc variable	80 CC
65	3719 0068 49	1	Gasket	
67	3719 0002 41	1	Indicator disc	
68	3176 7868 06	1	Plug	3/4-16 UNF
69	3719 0005 44	1	Breather plug	
70	3719 0005 45	1	Plug	
71	0686 6442 07	1	Plug	VSTI R 1/4-ED
75	0661 1030 00	1	Seal washer	TREDO 17

Rotation unit

Overhaul kit bushing rotation unit A-N

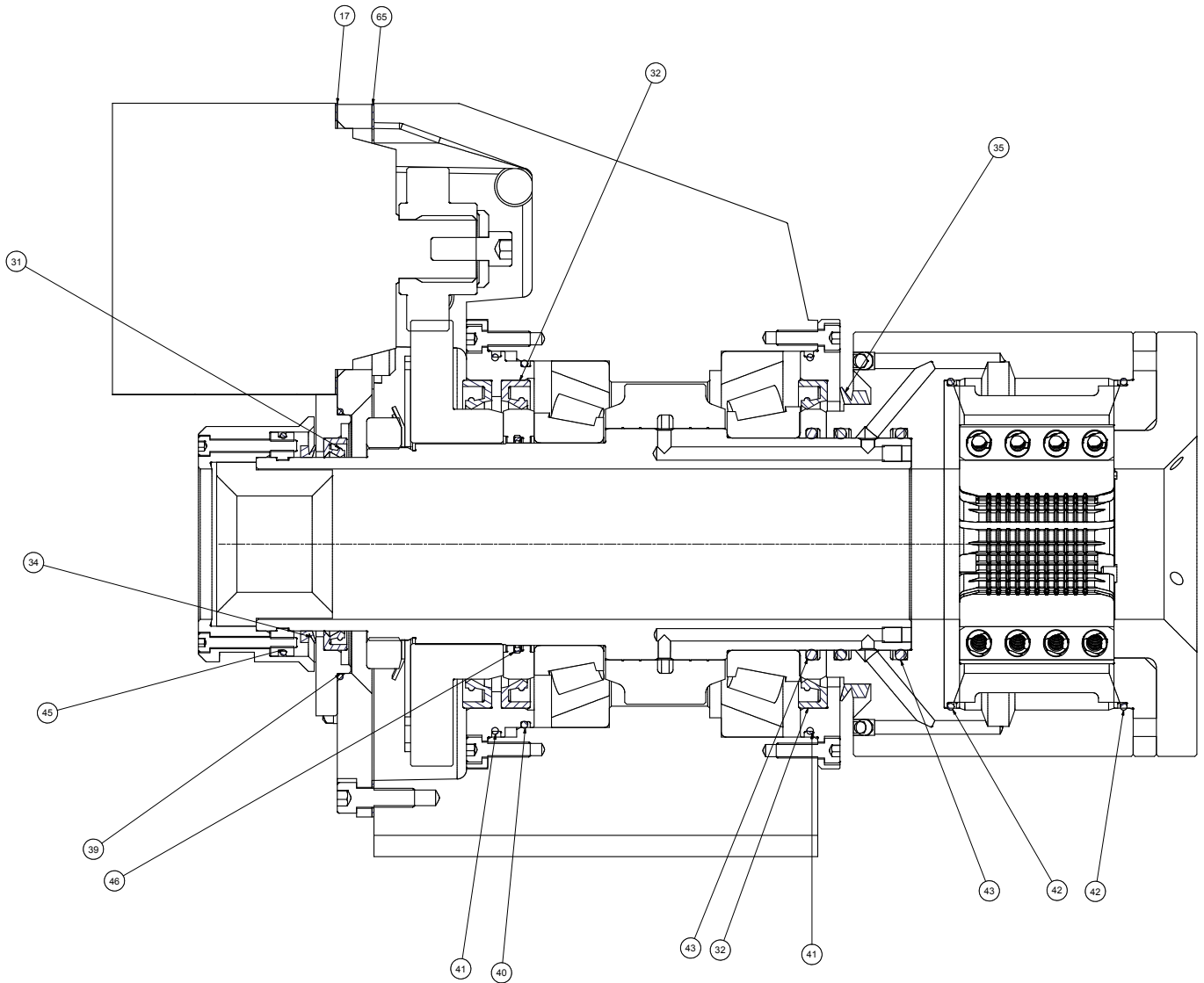
3719 0068 63

Spare parts list

3719 0068 63 Overhaul kit bushing rotation unit A-N				
Pos. No.	Part number	Quantity	Description	Remark
9	3719 0000 09	1	Spacer ring	
14	3719 0000 10	1	Ring	
17	3719 0068 50	1	Gasket	
25	0509 0121 20	1	Bearing	
26	0509 0121 19	1	Bearing	
27	0333 6121 00	1	Lock washer	MB-20
31	0666 6000 22	1	Seal	
32	0666 6000 44	3	Seal	
34	3715 3042 00	1	V-ring	
35	0666 8000 17	1	Seal	
38	3719 0009 73	4	Plug	
39	0663 2111 48	1	O-ring	134 x 3.0
40	0663 2111 22	1	O-ring	183,74 x 3,53
41	9126 6071 00	2	O-ring	190.09 x 3.53
42	0663 2111 49	2	O-ring	160 x 3,55
43	0663 2149 00	3	O-ring	109.1 x 5.7 70 GR
45	0663 2109 16	1	O-ring	110 x 3,00
46	0663 2103 72	1	O-ring	104.4 x 3.53
47	0661 1567 00	2	Back-up ring	PTFE 110 x 120 x 1.7
48	0337 7198 00	1	Parallel key	12 x 8 x 45 RK SMS 2306 DIN 6885A
51	0211 1957 57	12	Cap screw	MC6S 8 x 25 10.9 Din 912
56	0211 1957 71	7	Cap screw	MC6S 10 x 30 10.9
57	0211 1320 03	6	Cap screw	MC6S 8 x 12 8.8
65	3719 0068 49	1	Gasket	

Rotation unit

Packing kit bushing rotation unit A-N

3719 0068 64

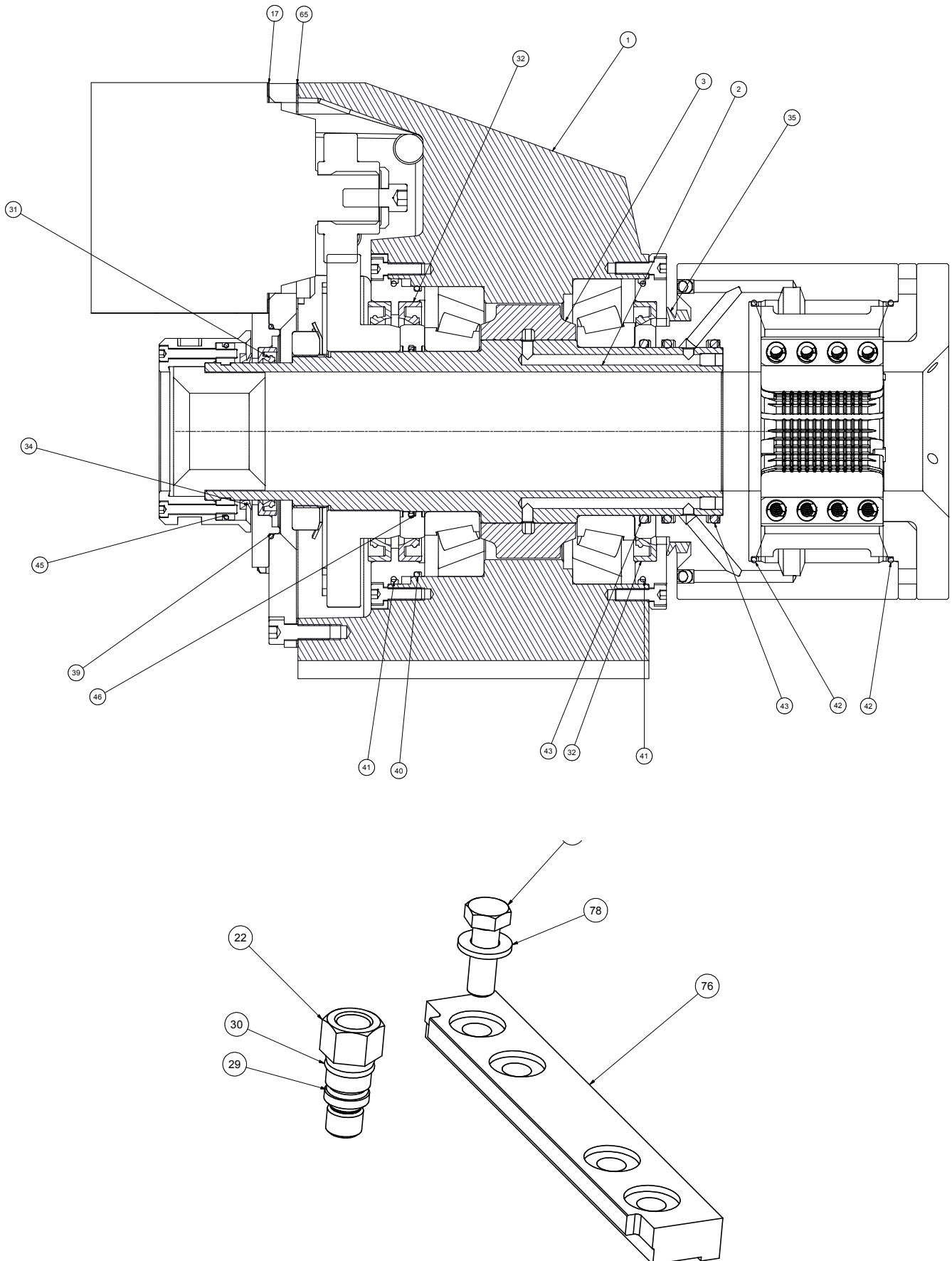
V

Spare parts list

3719 0068 64 Packing kit bushing rotation unit A-N				
Pos. No.	Part number	Quantity	Description	Remark
17	3719 0068 50	1	Gasket	
31	0666 6000 22	1	Seal	
32	0666 6000 44	3	Seal	
34	3715 3042 00	1	V-ring	
35	0666 8000 17	1	Seal	
39	0663 2111 48	1	O-ring	134 x 3.0
40	0663 2111 22	1	O-ring	183,74 x 3,53
41	9126 6071 00	2	O-ring	190.09 x 3.53
42	0663 2111 49	2	O-ring	160 x 3,55
43	0663 2149 00	3	O-ring	109.1 x 5.7 70 GR
45	0663 2109 16	1	O-ring	110 x 3,00
46	0663 2103 72	1	O-ring	104.4 x 3.53
65	3719 0068 49	1	Gasket	

Rotation unit

Upgrade kit bushing rotation unit A-N

3719 0068 65


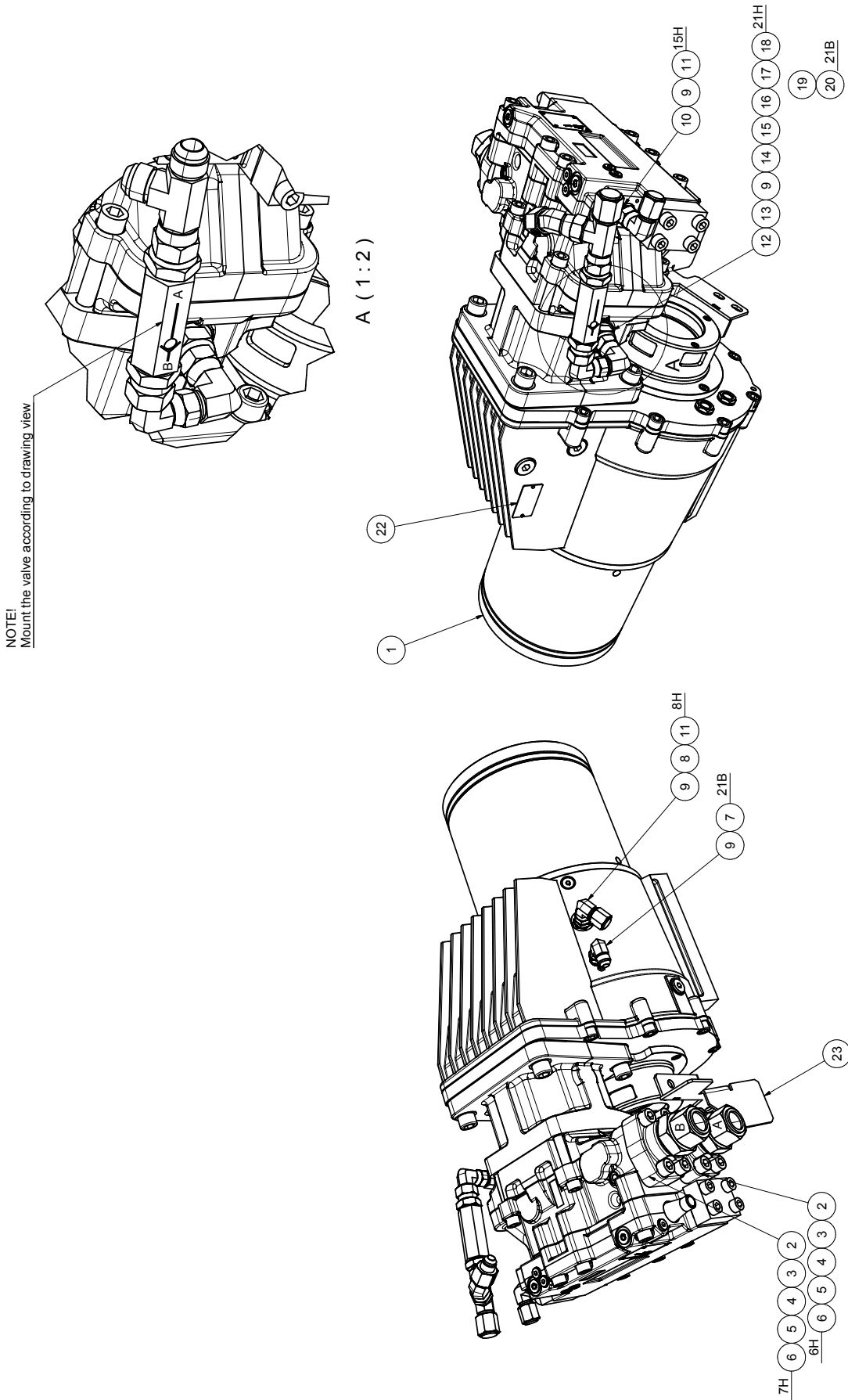
Spare parts list

3719 0068 65 Upgrade kit bushing rotation unit A-N				
Pos. No.	Part number	Quantity	Description	Remark
1	3719 0068 20	1	Housing A-N	
2	3719 0067 25	1	Shaft A-N	
3	3719 0060 43	1	Bushing A-N rotation	
17	3719 0068 50	1	Gasket	
22	3719 0060 46	1	Connection	
29	0663 3123 00	1	O-ring	16.3 x 2.4 FPM
30	0663 2125 01	1	O-ring	19.2 x 3 90 Grader
31	0666 6000 22	1	Seal	
32	0666 6000 44	3	Seal	
34	3715 3042 00	1	V-ring	
35	0666 8000 17	1	Seal	
39	0663 2111 48	1	O-ring	134 x 3.0
40	0663 2111 22	1	O-ring	183,74 x 3,53
41	9126 6071 00	2	O-ring	190.09 x 3.53
42	0663 2111 49	2	O-ring	160 x 3,55
43	0663 2149 00	3	O-ring	109.1 x 5.7 70 GR
45	0663 2109 16	1	O-ring	110 x 3,00
46	0663 2103 72	1	O-ring	104.4 x 3.53
65	3719 0068 49	1	Gasket	
76	3719 0052 27	2	Securing clamp rotation unit	
77	0147 1402 03	8	Screw	M6S 12 x 35 ISO 4017
78	0301 2358 00	8	Washer	BRB 13 x 24 x 2.5
-	3716 5577 03	1	Sign	ROTATION UNIT

Rotation unit

Rotation unit B-H Basic 110 cc complete

3719 0066 91

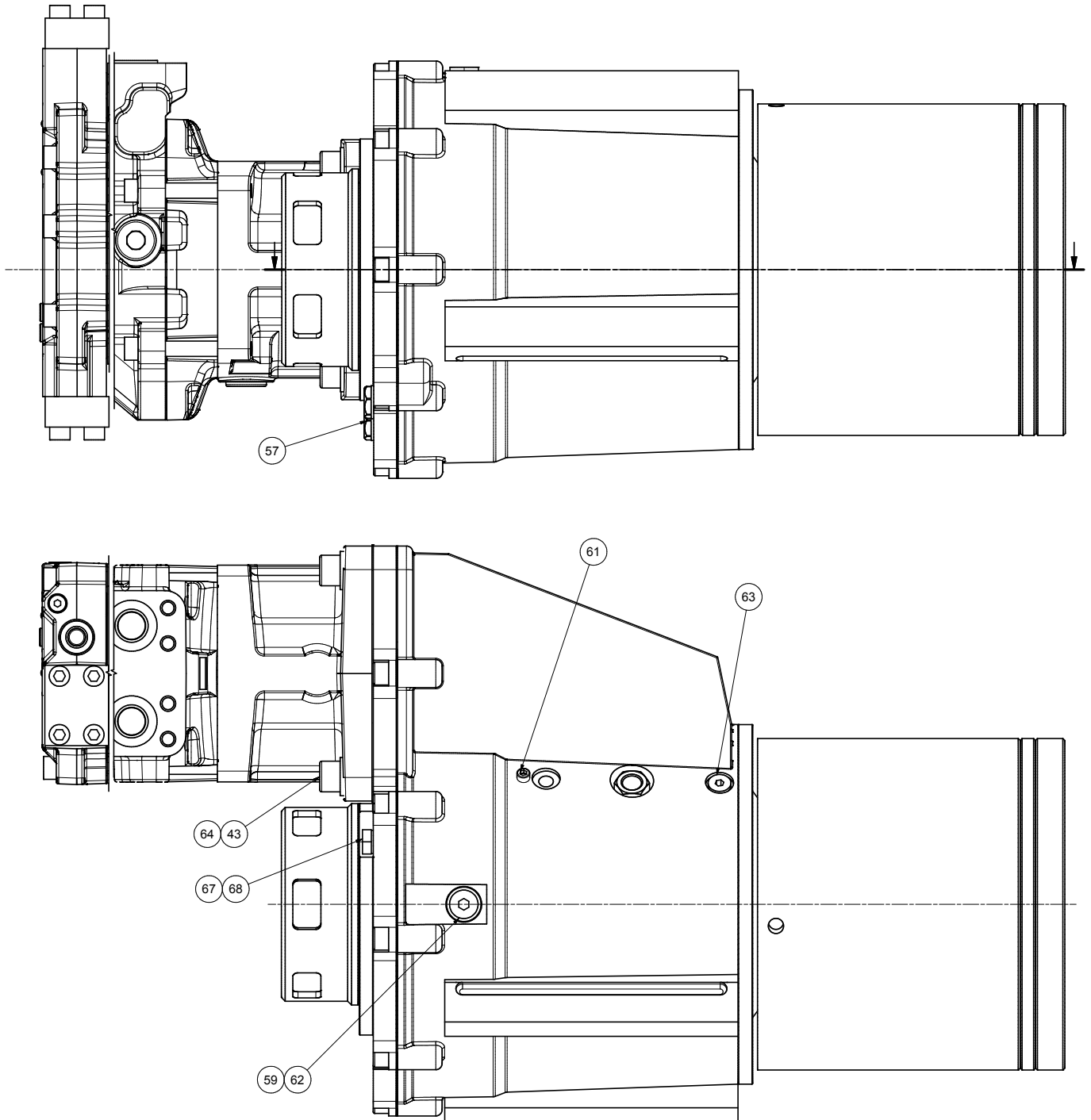


Spare parts list

3719 0066 91 Rotation unit B-H Basic 110 cc complete				
Pos. No.	Part number	Quantity	Description	Remark
1	3719 0066 92	1	Rot. Unit B-H basic 110CC U6	
2	0663 9191 01	2	O-ring	37.69 x 3.53 90 GR
3	3719 0009 23	2	Flange	SAE6-G1.1/4"
4	0211 5366 00	8	Cap screw	UC6S 1/2" UNC x 45
5	0570 7025 15	2	Nipple	16 x G1.1/4 S
6	0570 7000 11	2	Cap	UN 1 7/16-12
7	3176 6511 00	1	Nipple	UN 3/4 x R 1/4
8	3176 6512 00	1	Nipple	R 3/8 - UN 3/4
9	3176 3060 00	3	Elbow	UN 3/4"
10	0570 5010 42	1	Nipple	JIC 3/4 - M14x1,5
11	3176 5313 00	2	Cap	UN 3/4"- 16
12	3176 6534 00	1	Nipple	UN 1 1/16 x 7/8
13	3715 0585 00	2	Elbow	UN 7/8 U x UN 7/8 I
14	3176 8490 00	1	Nipple	UN 7/8" x R 1/2"
15	3742 1278 00	1	Count.Press.Valve	
16	3176 6515 00	1	Nipple	UN 7/8 x R 1/2
17	3176 6590 00	1	Tee	UN 7/8 x UN 7/8
18	3715 0597 00	1	Cap	UN 7/8"-14
19	3176 6549 00	1	Elbow	45 UN 7/8-UN 7/8
20	3176 7336 00	1	Nipple	UN 3/4 x 7/8
21	0574 0071 32	1	Hose 3/8" l=500 360bar	JIC, UNF 3/4-16-IR / JIC, UNF 3/4-16-IR
22	3716 5577 03	1	Sign	ROTATION UNIT
23	3719 0066 41	1	Sensor bracket B-H rotation	

Rotation unit

Rotation unit B-H, Basic 110 cc

3719 0066 92

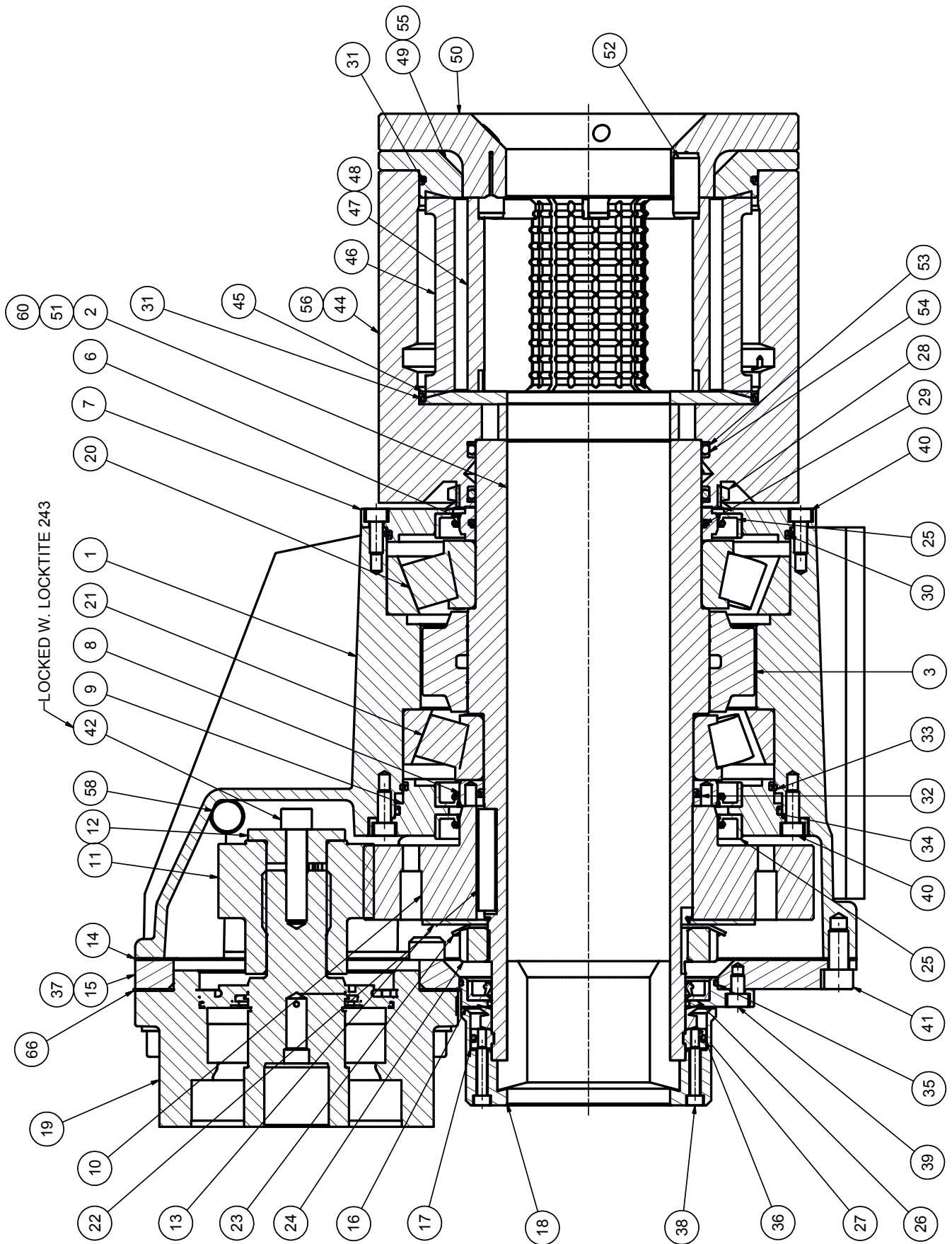
Spare parts list

3719 0066 92 Rotation unit B-H, Basic 110 cc				
Pos. No.	Part number	Quantity	Description	Remark
1	3719 0067 11	1	Housing B-H	
2	3719 0066 08	1	Shaft B-H	
3	3719 0060 41	1	Bushing B-H rotation	
4	3719 0060 46	1	Connection	
5	0663 3123 00	1	O-ring	16.3 x 2.4 FPM
6	3719 0001 29	1	Spacer ring	
7	3719 0001 28	1	Front flange	
8	3719 0001 30	1	Rear spacer ring	
9	3719 0001 33	1	Inner flange	
10	3719 0001 35	1	Gear wheel	
11	3719 0007 38	1	Pinion	
12	3719 0008 04	1	Washer	
13	3719 0002 40	1	Indicator disc	
14	3719 0066 13	1	Gasket	
15	3719 0006 39	1	Cover	
16	3719 0006 51	1	Rear flange	
17	3719 0001 32	2	Locking ring	
18	3719 0066 39	1	Guide cover	
19	3719 0002 74	1	Hydraulic motor, 110cc	
20	0509 0121 22	1	Bearing	
21	0509 0121 21	1	Bearing	
22	0337 8349 00	1	Parallel key	20 x 12 x 65, TYPE A
23	0333 6136 01	1	Lock washer	MB-25
24	0295 3136 08	1	Lock nut	KM-25
25	0666 6000 46	3	Seal	
26	0666 6000 25	1	Seal	
27	0666 8000 26	1	Seal	
28	0666 8000 00	1	Seal	
29	0663 2111 72	1	O-ring	139,29 x 3,53
30	0663 2111 62	1	O-ring	240,89 x 3,53
31	0663 2111 71	2	O-ring	196,44 x 3,53
32	0663 2111 60	1	O-ring	129,77 x 3,53
33	0663 2111 61	1	O-ring	221,84 x 3,53
34	0663 2100 30	1	O-ring	228,19 x 3,53
35	0663 2108 97	1	O-ring	152.07 X 2.62
36	0663 6152 00	1	O-ring	139.5 x 3
37	0101 1364 00	2	Parallel pin	8 x 30 H6
38	0211 1957 51	4	Cap screw	MC6S 6 x 40 10.9
39	0211 1320 03	5	Cap screw	MC6S 8 x 12 8.8
40	0211 1957 56	12	Cap screw	MC6S 8 x 20 10.9 Din 912
41	0211 1400 03	11	Cap screw	MC6S 12 x 25 8.8
42	0211 5366 00	1	Cap screw	UC6S 1/2" UNC x 45
43	0211 1477 00	4	Cap screw	MC6S 16 x 4 0 - 12.9
44	3719 0004 57	1	Chuck housing	

Rotation unit

Rotation unit B-H, Basic 110 cc

3719 0066 92

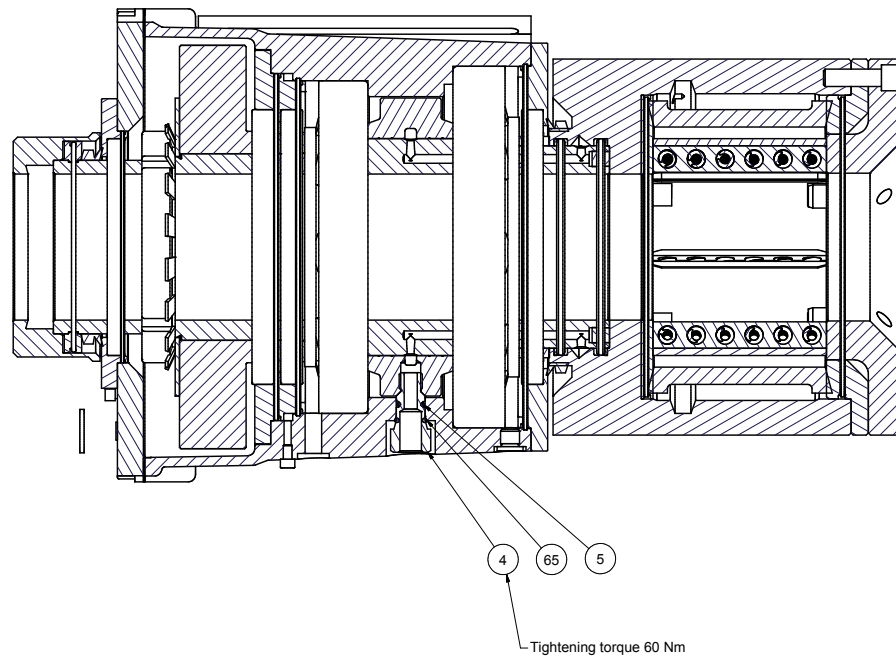
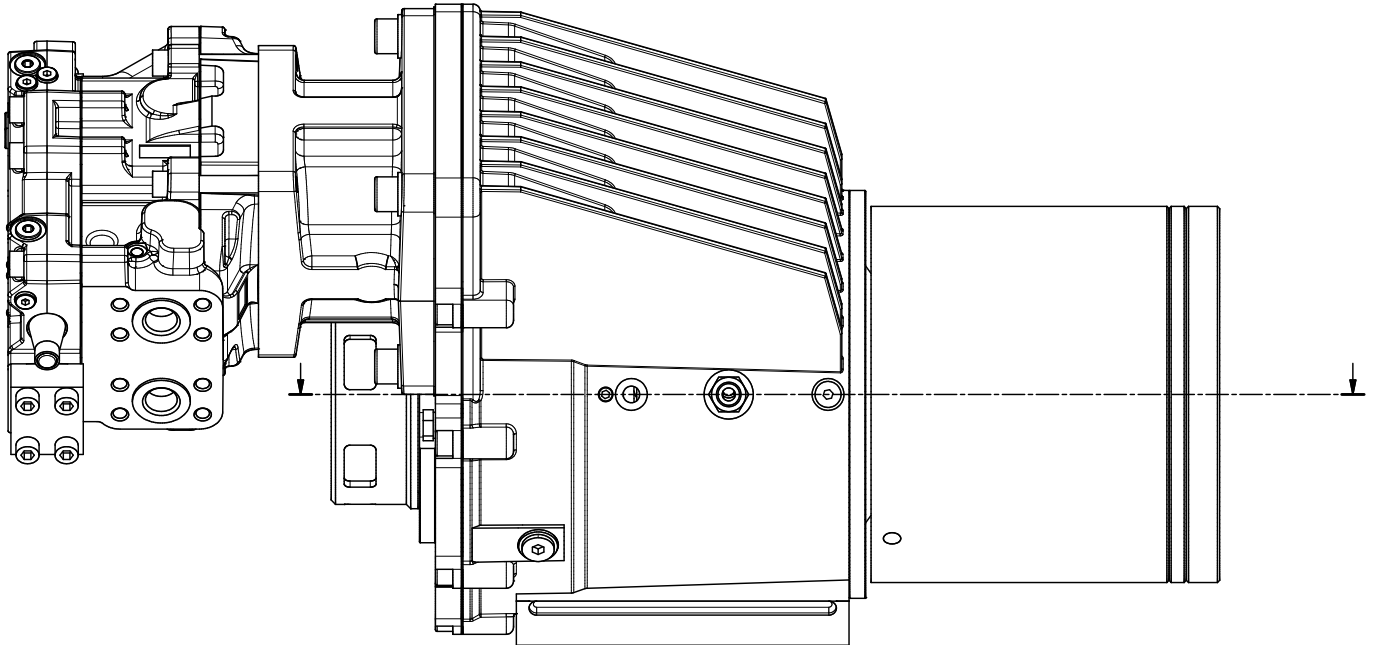


Spare parts list

3719 0066 92 Rotation unit B-H, Basic 110 cc				
Pos. No.	Part number	Quantity	Description	Remark
45	3719 0004 58	1	Wear plate	
46	3716 5018 00	1	Rubber sleeve	
47	3715 9273 00	4	Jaw holder	
48	3716 5200 00	24	Spring	
49	3719 0004 59	1	Inner flange	
50	3716 5126 00	1	Cover	
51	3715 9032 00	4	Plug	
52	0101 2626 00	4	Parallel pin	16x40
53	0661 1573 00	2	Back-up ring	140 x 150 x 1.7 PTFE
54	0663 2155 00	2	O-ring	139.3 x 5.7 70 GR
55	0211 1957 55	4	Cap screw	MC6S 8 x 16 10.9 Din 912
56	0211 1403 03	20	Cap screw	MC6S 12 x 40 8.8
57	3719 0002 02	2	Oil indicator	
58	0686 3718 02	2	Plug	VSTI R 1/2-ED
59	0661 1030 00	1	Seal washer	TREDO 17
60	3719 0002 03	4	Plug	
61	3719 0005 44	1	Breather plug	
62	3176 7868 06	1	Plug	3/4-16 UNF
63	0686 6442 07	1	Plug	VSTI R 1/4-ED
64	0301 2378 00	4	Washer	BRB 17 x 30 x 3
65	0663 2125 01	1	O-ring	19.2 x 3
66	3719 0066 14	1	Gasket	
67	0661 1005 00	1	Seal washer	TREDO 112
68	37190 005 45	1	Plug	

Rotation unit

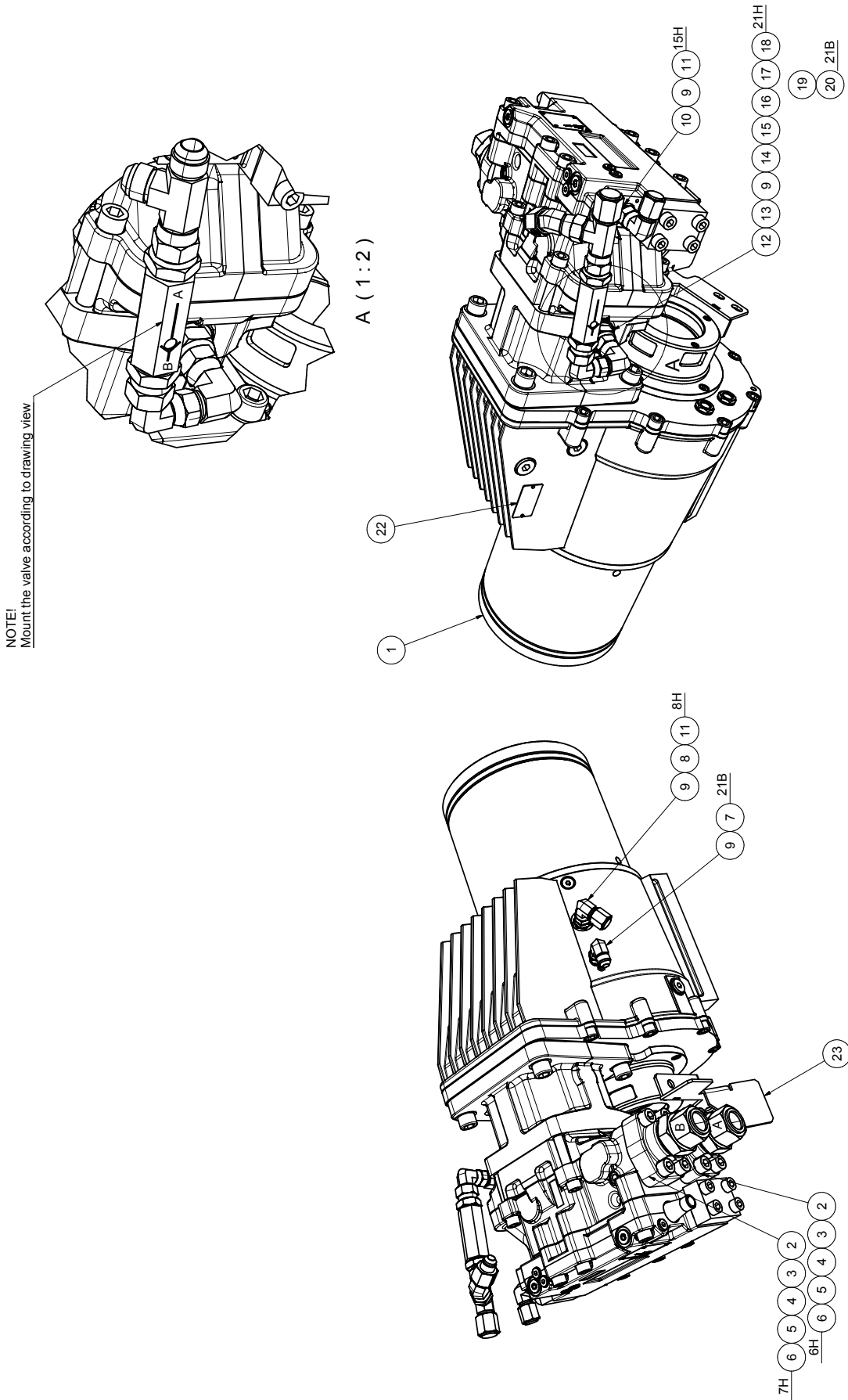
Rotation unit B-H, Basic 110 cc

3719 0066 92

Rotation unit

Rotation unit B-H Basic 160 cc complete

3719 0064 78

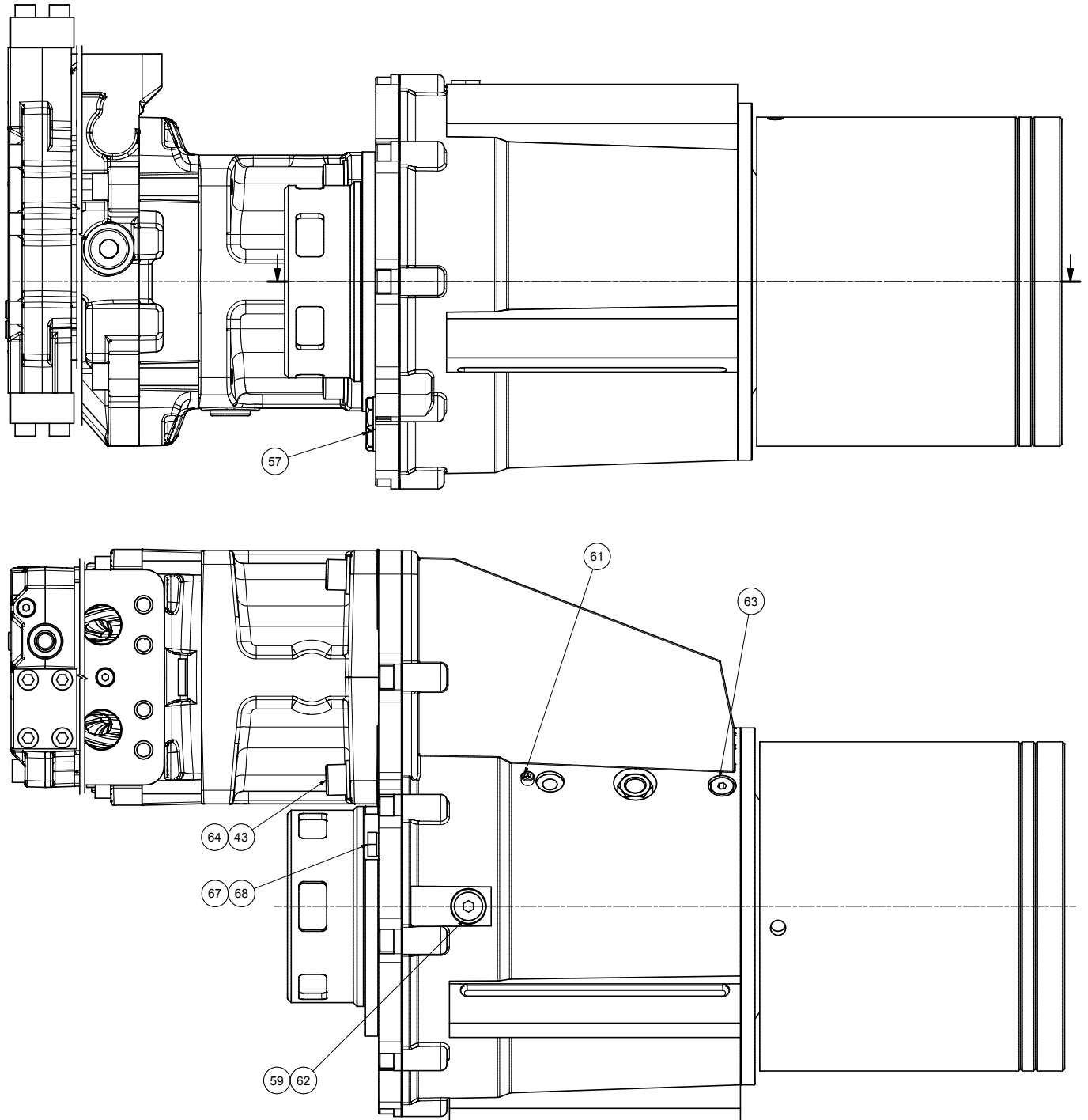


3719 0064 78 Rotation unit B-H Basic 160 cc complete				
Pos. No.	Part number	Quantity	Description	Remark
1	3719 0064 79	1	Rot. Unit B-H basic 160CC U6	
2	0663 9191 01	2	O-ring	37.69 x 3.53 90 GR
3	3719 0009 24	2	Flange	SAE6-G1.1/4"
4	0211 5366 00	8	Cap screw	UC6S 1/2" UNC x 45
5	0570 7025 15	2	Nipple	16 x G1.1/4 S
6	0570 7000 11	2	Cap	UN 1 7/16-12
7	3176 6511 00	1	Nipple	UN 3/4 x R 1/4
8	3176 6512 00	1	Nipple	R 3/8 - UN 3/4
9	3176 3060 00	3	Elbow	UN 3/4"
10	0570 5010 42	1	Nipple	JIC 3/4 - M14x1,5
11	3176 5313 00	2	Cap	UN 3/4"- 16
12	3176 6534 00	1	Nipple	UN 1 1/16 x 7/8
13	3715 0585 00	2	Elbow	UN 7/8 U x UN 7/8 I
14	3176 8490 00	1	Nipple	UN 7/8" x R 1/2"
15	3742 1278 00	1	Count.Press.Valve	
16	3176 6515 00	1	Nipple	UN 7/8 x R 1/2
17	3176 6590 00	1	Tee	UN 7/8 x UN 7/8
18	3715 0597 00	1	Cap	UN 7/8"-14
19	3176 6549 00	1	Elbow	45 UN 7/8-UN 7/8
20	3176 7336 00	1	Nipple	UN 3/4 x 7/8
21	0574 0071 32	1	Hose 3/8" l=500 360bar	JIC, UNF 3/4-16-IR / JIC, UNF 3/4-16-IR
22	3716 5577 03	1	Sign	ROTATION UNIT
23	3719 0066 41	1	Sensor bracket B-H rotation	

Rotation unit

Rotation unit B-H, Basic 160 cc

3719 0064 79

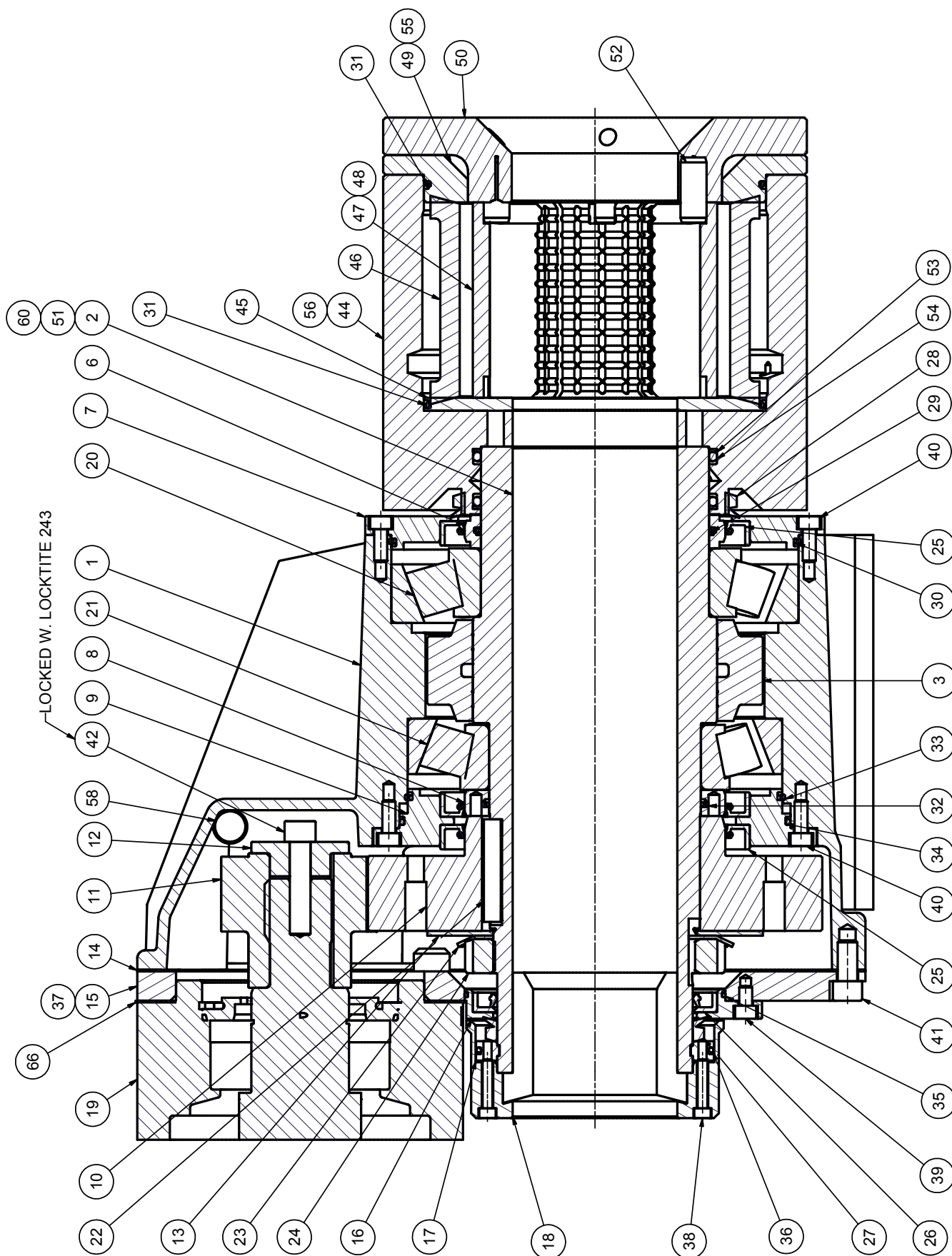


3719 0064 79 Rotation unit B-H, Basic 160 cc				
Pos. No.	Part number	Quantity	Description	Remark
1	3719 0067 11	1	Housing B-H	
2	3719 0066 08	1	Shaft B-H	
3	3719 0060 41	1	Bushing B-H rotation	
4	3719 0060 46	1	Connection	
5	0663 3123 00	1	O-ring	16.3 x 2.4 FPM
6	3719 0001 29	1	Spacer ring	
7	3719 0001 28	1	Front flange	
8	3719 0001 30	1	Rear spacer ring	
9	3719 0001 33	1	Inner flange	
10	3719 0001 35	1	Gear wheel	
11	3719 0007 38	1	Pinion	
12	3719 0008 04	1	Washer	
13	3719 0002 40	1	Indicator disc	
14	3719 0066 13	1	Gasket	
15	3719 0006 39	1	Cover	
16	3719 0006 51	1	Rear flange	
17	3719 0001 32	2	Locking ring	
18	3719 0066 39	1	Guide cover	
19	3719 0002 76	1	Hydraulic motor, 160cc	
20	0509 0121 22	1	Bearing	
21	0509 0121 21	1	Bearing	
22	0337 8349 00	1	Parallel key	20 x 12 x 65, TYPE A
23	0333 6136 01	1	Lock washer	MB-25
24	0295 3136 08	1	Lock nut	KM-25
25	0666 6000 46	3	Seal	
26	0666 6000 25	1	Seal	
27	0666 8000 26	1	Seal	
28	0666 8000 00	1	Seal	
29	0663 2111 72	1	O-ring	139,29 x 3,53
30	0663 2111 62	1	O-ring	240,89 x 3,53
31	0663 2111 71	2	O-ring	196,44 x 3,53
32	0663 2111 60	1	O-ring	129,77 x 3,53
33	0663 2111 61	1	O-ring	221,84 x 3,53
34	0663 2100 30	1	O-ring	228,19 x 3,53
35	0663 2108 97	1	O-ring	152.07 X 2.62
36	0663 6152 00	1	O-ring	139.5 x 3
37	0101 1364 00	2	Parallel pin	8 x 30 H6
38	0211 1957 51	4	Cap screw	MC6S 6 x 40 10.9
39	0211 1320 03	5	Cap screw	MC6S 8 x 12 8.8
40	0211 1957 56	12	Cap screw	MC6S 8 x 20 10.9 Din 912
41	0211 1400 03	11	Cap screw	MC6S 12 x 25 8.8
42	0211 5366 00	1	Cap screw	UC6S 1/2" UNC x 45
43	0211 1477 00	4	Cap screw	MC6S 16 x 4 0 - 12.9
44	3719 0004 57	1	Chuck housing	

Rotation unit

Rotation unit B-H, Basic 160 cc

3719 0064 79

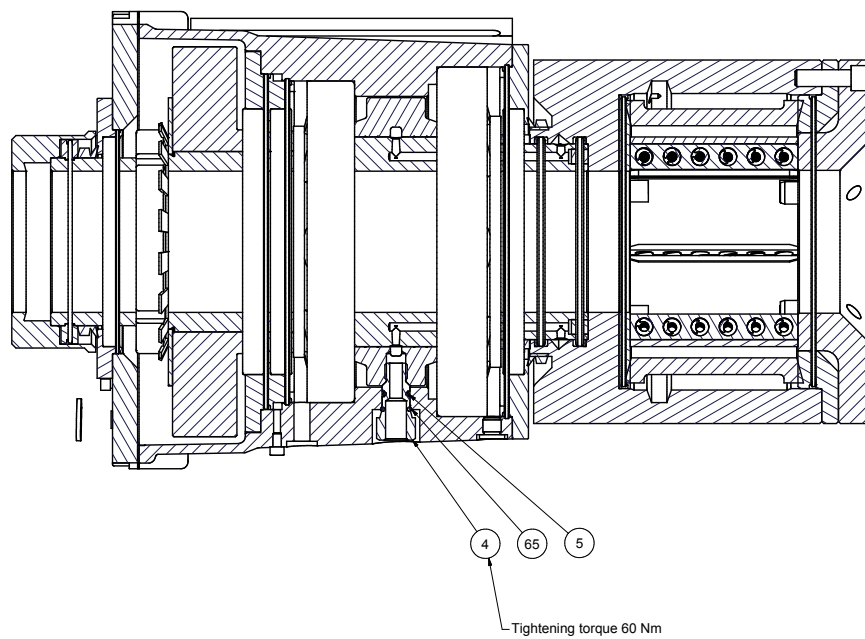
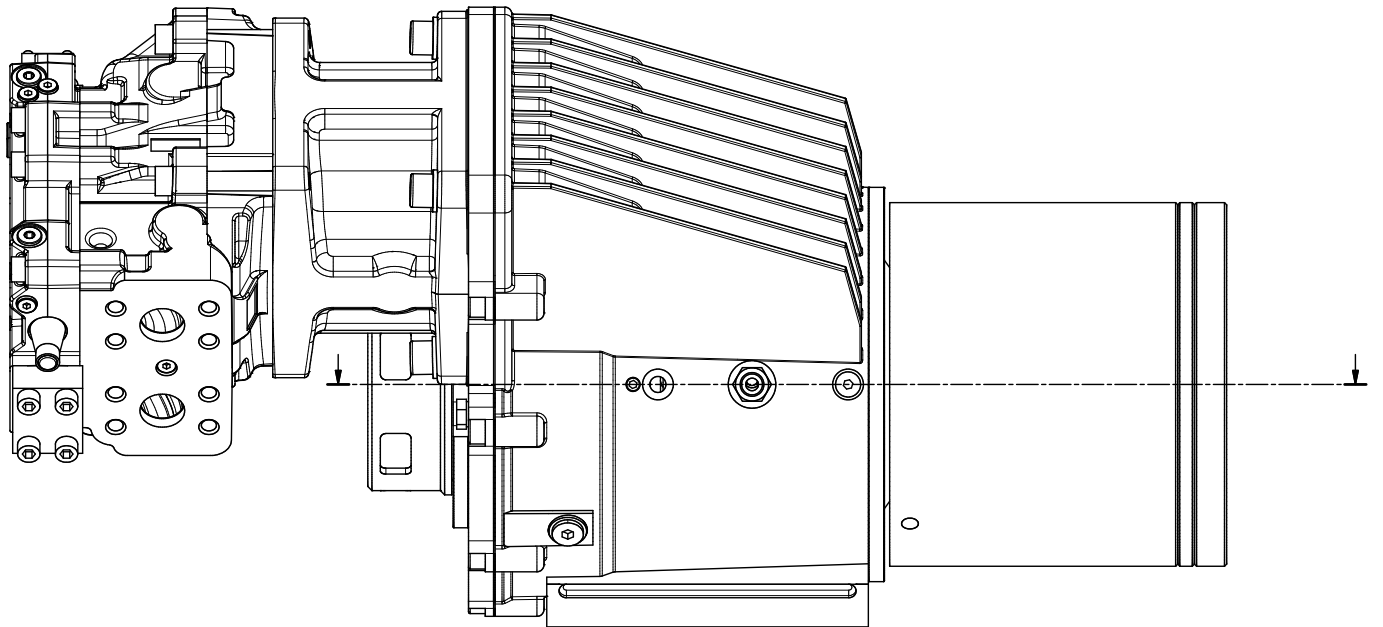


3719 0064 79 Rotation unit B-H, Basic 160 cc				
Pos. No.	Part number	Quantity	Description	Remark
45	3719 0004 58	1	Wear plate	
46	3716 5018 00	1	Rubber sleeve	
47	3715 9273 00	4	Jaw holder	
48	3716 5200 00	24	Spring	Dy 12.5 Di 6.3 L=76
49	3719 0004 59	1	Inner flange	
50	3716 5126 00	1	Cover	
51	3715 9032 00	4	Plug	
52	0101 2626 00	4	Parallel pin	16x40
53	0661 1573 00	2	Back-up ring	140 x 150 x 1.7 PTFE
54	0663 2155 00	2	O-ring	139.3 x 5.7 70 GR
55	0211 1957 55	4	Cap screw	MC6S 8 x 16 10.9 Din 912
56	0211 1403 03	20	Cap screw	MC6S 12 x 40 8.8
57	3719 0002 02	2	Oil indicator	
58	0686 3718 02	2	Plug	VSTI R 1/2-ED
59	0661 1030 00	1	Seal washer	TREDO 17
60	3719 0002 03	4	Plug	
61	3719 0005 44	1	Breather plug	
62	3176 7868 06	1	Plug	3/4-16 UNF
63	0686 6442 07	1	Plug	VSTI R 1/4-ED
64	0301 2378 00	4	Washer	BRB 17 x 30 x 3
65	0663 2125 01	1	O-ring	19.2 x 3
66	3719 0066 14	1	Gasket	
67	0661 1005 00	1	Seal washer	TREDO 112
68	3719 0005 45	1	Plug	

Rotation unit

Rotation unit B-H, Basic 160 cc

3719 0064 79



Control system

Hydraulic pilot system STD

3719 0006 16

Spare parts list

3719 0006 16 Hydraulic pilot system STD				
Pos. No.	Part number	Quantity	Description	Remark
1	3719 0006 17	1	Pilot panel, U6 phc std	
2	3719 0008 39	1	Valve assy U6 phc	
3	3719 0006 07	1	Pu - rig hose kit jic	
4	3719 0037 69	1	Water system assembly phc	
7	3719 0012 44	1	Pu-rig hoses plug kit, jic	
8	3719 0011 93	5	Hose protection	110MM. L=1000
9	3719 0011 94	4	Hose protection	50MM. L=1000
10	3176 3681 00	15	Hose strip	L = 500 MM BLACK

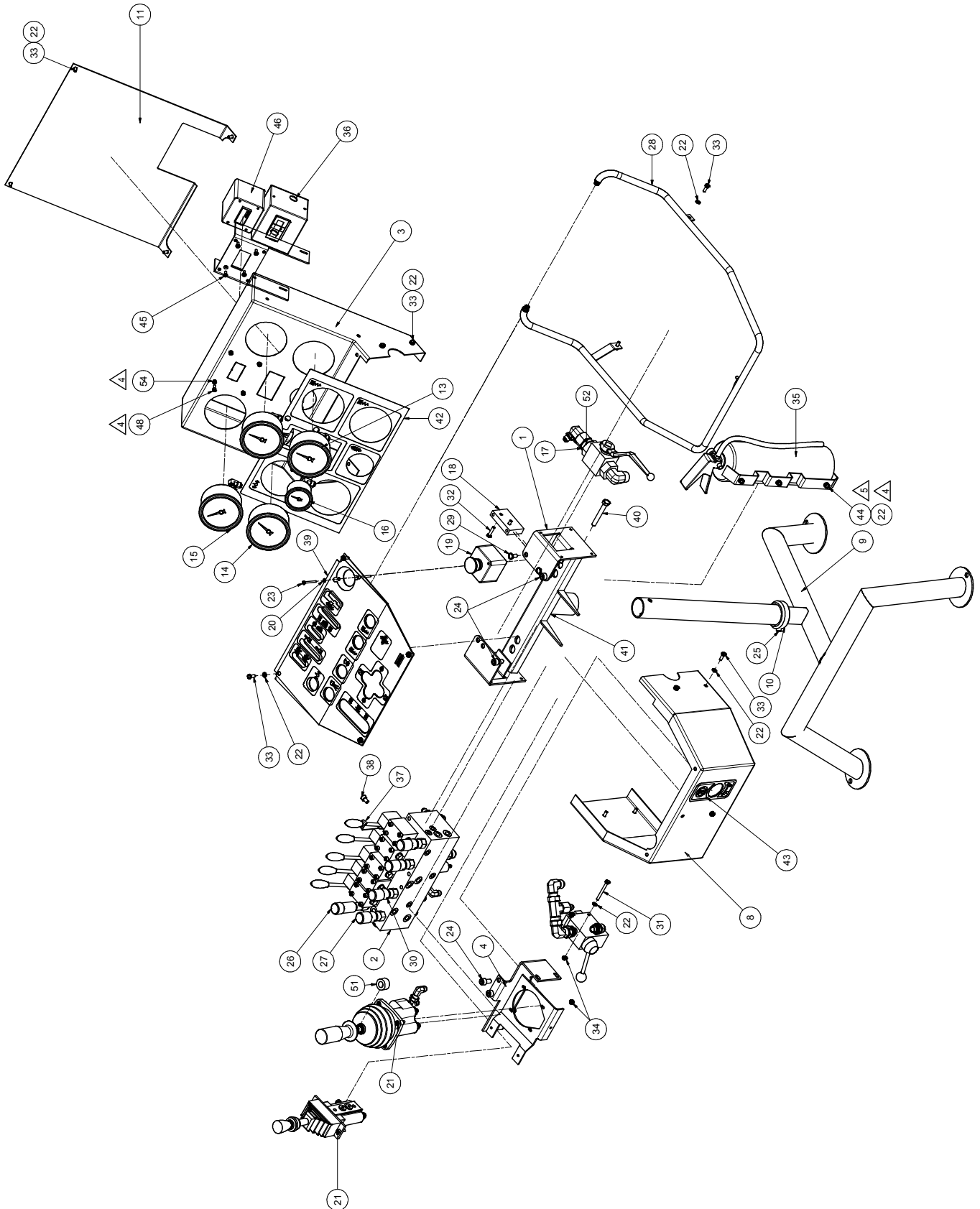
Control system

Pilot panel PHC U6

3719 0006 17

Loose Unions

97 28 20



Spare parts list

3719 0006 17 Pilot panel PHC U6				
Pos. No.	Part number	Quantity	Description	Remark
1	3719 0002 26	1	Frame	
2	3719 0011 37	1	Valve kit panel	
3	3719 0041 46	1	Cover	
4	3719 0002 28	1	Bracket	
5	3719 0008 47	1	Joystick 4-ports	SPARE TO 3719001137
6	3719 0008 48	1	Joystick 2-ports	SPARE TO 3719001137
8	3719 0002 29	1	Cover	
9	3719 0001 56	1	Stand	
10	3719 0001 57	1	Pipe	
11	3719 0002 30	1	Plate	
13	3719 0002 89	2	Pressure gauge D100	65kn
14	3716 3505 00	1	Pressure gauge D100	0-160bar-psi
15	3176 6023 00	1	Pressure gauge D100	0-400bar-psi
16	3716 2090 00	1	Pressure gauge D63	0-400bar-psi
17	3719 0011 98	1	Ball valve	3/4"
18	3719 0002 43	1	Bracket	
19	3716 5564 00	1	Emergency stop	NÖDSTOPP
20	0301 2315 00	2	Washer	BRB 4.3 x 9 FZB
21	0211 1247 03	6	Cap screw	M6 x 20 8.8 FZB
22	0301 2321 00	27	Washer	BRFB 6.4 x 12.5 x 1.5
23	0147 1179 03	2	Screw	M6S 4 x 40 8.8 FZB
24	0211 1360 03	4	Cap screw	MC6S 10 x 20 FZB
25	0196 1397 00	2	Set screw	MS6SS M12 x 16
26	3719 0002 91	1	Knob	
27	3716 3639 00	4	Knob	
28	3719 0003 94	1	Protective handle	
29	0147 1322 03	2	Screw	M6S 8 x 16
30	0196 1203 00	5	Set screw	SK6SS M5 x 8
31	0147 1255 03	2	Screw	M6 x 55
32	0147 1249 03	2	Screw	M6S 6 x 25
33	0147 1246 03	22	Screw	M6S 6 x 16
34	0291 1108 00	6	Lock nut m6	M6 LM6M
35	3716 5571 90	1	Fire extinguisher	2 KG
36	3716 6061 91	1	Tachometer kit U6	VARVRÄKNARSATS U6
37	3719 0005 01	1	Leaf spring, manual console	
38	0211 1320 03	1	Cap screw	MC6S 8 x 12 8.8 Helgängad
39	3719 0041 48	1	Function sticker manual panel	GLUED ON PLATE: 3719000231
40	0147 1371 03	1	Screw	M6S 10 x 70
41	0291 1128 20	1	Lock nut	M10 8 fzb ISO 7040
42	3719 0041 47	1	Gauge sticker manual panel	
43	3719 0041 49	1	Drill water sticker	
44	0216 1957 80	3	Hex socket screw	M6x16
45	0216 1957 59	4	Hex sock c-sunk screw	M5x16FZB DIN 7991
46	3719 0030 68	1	Flow meter display	
48	0211 1207 03	4	Cap screw	M5x16 FZB

Spare parts list

3719 0006 17 Pilot panel PHC U6				
Pos. No.	Part number	Quantity	Description	Remark
51	3719 0012 85	1	Spacer	
52	0661 1038 00	1	Seal washer	TREDO 20-3/4"
53	3719 0012 39	1	Pressure gauge hose kit	
54	3176 3556 00	1	Nipple	UN 9/16 - 18
55	0301 2318 00	4	Washer	5.3x10x1 FZB
ELKIT	3719 0056 36	1	El.Kit-U6,phc,panel	
	3719 0006 05	1	Panel-rig hose kit U6 phc	
	3719 0006 18	1	Panel hose kit, U6 phc	
	3163 1660 00	12	Hose strip	L=350 mm B=25mm
	3716 2761 00	6	Hose protection	75MM. L=1000
F70	3176 6514 00	2	Nipple	R 3/8 x UN 7/8
F71	3176 6348 00	25	Nipple	UN 9/16 x R 1/4
F72	3715 0584 00	11	Elbow	UN 9/16xUN 9/16
F73	3176 6351 00	1	Elbow	R 1/4 x UN 9/16-18
F74	3176 5427 00	4	Tee	UN 9/16" x UN 9/16"
F75	3176 6593 00	1	Tee	UN 9/16-18 x R 1/4
F76	0653 0905 11	4	Gasket	KBM R 3/8" COPPER
F77	3177 3070 00	1	Nipple	R 1/4"-UN 9/16"
F78	3176 7851 00	4	Nipple	UN 9/16-18 x R 3/8 TYPE B
F79	0686 6442 07	4	Plug	VSTI R 1/4-ED
F80	3176 6511 00	2	Nipple	UN 3/4 x R 1/4
F81	3176 5535 00	1	Tee	UN 3/4" x UN 3/4"
F82	3176 6981 00	1	Nipple	3/4-16 UN x 7/8-14 UN
F83	3176 6501 00	1	Nipple	UN 3/4" x UN 9/16"
F84	3176 6615 00	1	Nut	UN 3/4
F85	3715 0585 00	2	Elbow	UN 7/8 U x UN 7/8 I
F86	3176 6502 00	1	Reducer	UN 7/8" x UN 9/16"
F87	3176 6616 00	1	Nut	UN 7/8
F88	3719 0002 72	1	Elbow	3/4" WITH G1/4" BORE
F89	0606 0000 25	1	Nipple	7210-12-12
F90	0606 0000 31	1	Nipple	7008-12-12
F91	3176 6590 00	1	Tee	UN 7/8 x UN 7/8

Control system

Hydraulic pilot system DH

3719 0008 33

Spare parts list

3719 0008 33 Hydraulic pilot system DH				
Pos. No.	Part number	Quantity	Description	Remark
1	3719 0011 39	1	Pilot panel, U6 PHC DH	
2	3719 0008 39	1	Valve assy U6 PHC	
3	3719 0006 07	1	Pu - rig hose kit jic	
4	3719 0037 69	1	Water system assembly PHC	
7	3719 0012 44	1	Pu-rig hoses plug kit, jic	
8	3719 0011 93	5	Hose protection	110MM. L=1000
9	3719 0011 94	4	Hose protection	50MM. L=1000
10	3176 3681 00	15	Hose strip	L = 500 MM BLACK

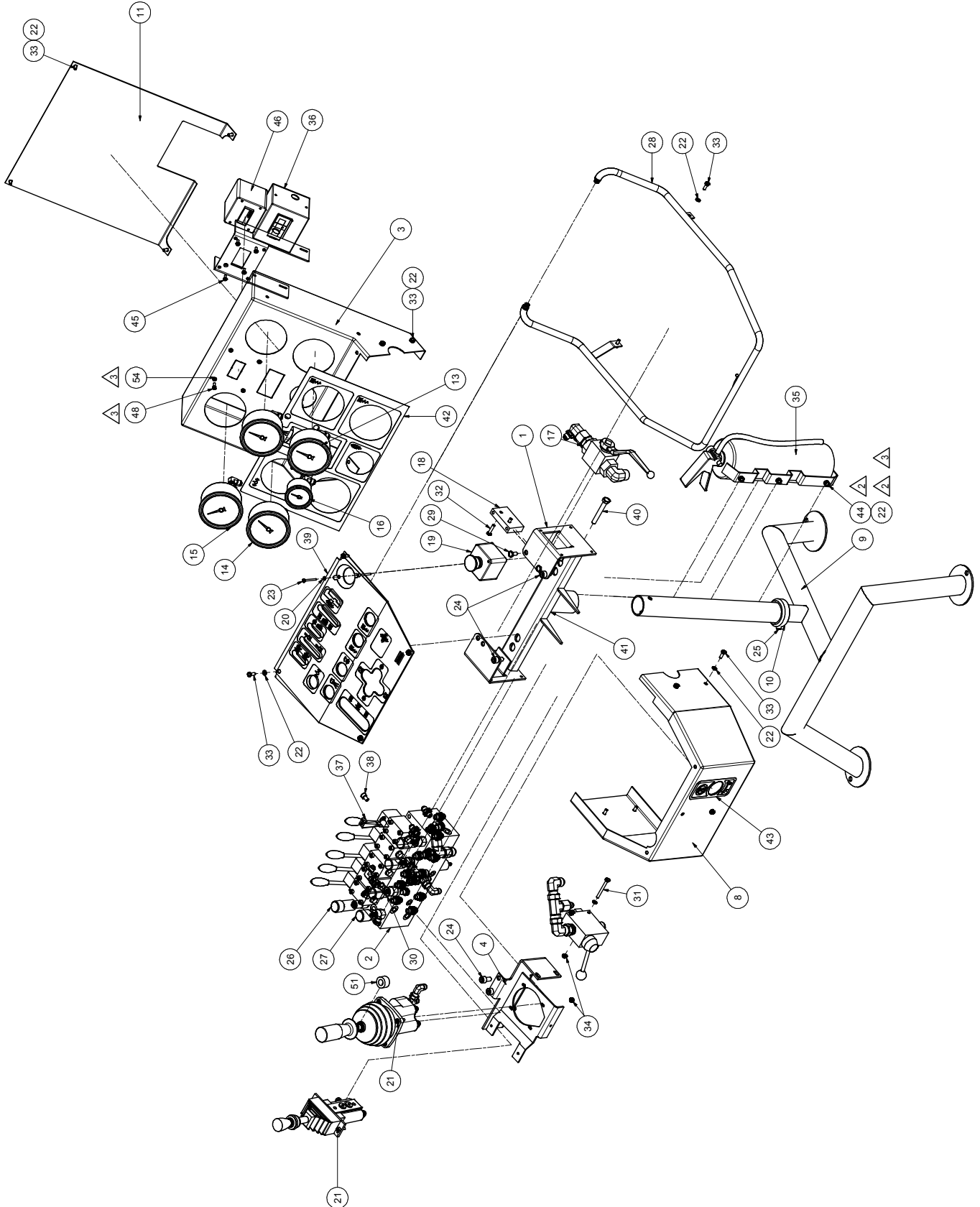
Control system

Pilot panel PHC U6 DH

3719 0011 39

Loose Unions

97 20 28



Spare parts list

3719 0011 39 Pilot panel PHC U6 DH				
Pos. No.	Part number	Quantity	Description	Remark
1	3719 0002 26	1	Frame	
2	3719 0011 37	1	Valve kit panel	
3	3719 0041 46	1	Cover	
4	3719 0002 28	1	Bracket	
5	3719 0008 47	1	Joystick 4-ports	SPARE TO 3719001137
6	3719 0008 48	1	Joystick 2-ports	SPARE TO 3719001137
7	3719 0002 35	1	Valve, pressure comp flow ctrl	SPARE TO 3719001157
8	3719 0002 29	1	Cover	
9	3719 0001 56	1	Stand	
10	3719 0001 57	1	Pipe	
11	3719 0002 30	1	Plate	
13	3719 0009 22	2	Pressure gauge D100	90KN
14	3716 3505 00	1	Pressure gauge D100	0-160bar-psi
15	3176 6023 00	1	Pressure gauge D100	0-400bar-psi
16	3716 2090 00	1	Pressure gauge D63	0-400bar-psi
17	3719 0011 98	1	Ball valve	3/4"
18	3719 0002 43	1	Bracket	
19	3716 5564 00	1	Emergency stop	NÖDSTOPP
20	0301 2315 00	2	Washer	BRB 4.3 x 9 FZB
21	0211 1247 03	6	Cap screw	M6 x 20 8.8 FZB
22	0301 2321 00	27	Washer	BRFB 6.4 x 12.5 x 1.5
23	0147 1179 03	2	Screw	M6S 4 x 40 8.8 FZB
24	0211 1360 03	4	Cap screw	MC6S 10 x 20 FZB
25	0196 1397 00	2	Set screw	MS6SS M12 x 16
26	3719 0002 91	1	Knob	
27	3716 3639 00	4	Knob	
28	3719 0003 94	1	Protective handle	
29	0147 1322 03	2	Screw	M6S 8 x 16
30	0196 1203 00	5	Set screw	SK6SS M5 x 8
31	0147 1255 03	2	Screw	M6 x 55
32	0147 1249 03	2	Screw	M6S 6 x 25
33	0147 1246 03	22	Screw	M6S 6 x 16
34	0291 1108 00	6	Lock nut	M6 LM6M
35	3716 5571 90	1	Fire extinguisher	ELDSLÄCKARSATS 2 KG
36	3716 6061 91	1	Tachometer kit U6	VARVRÄKNARSATS U6
37	3719 0005 01	1	Leaf spring, manual console	
38	0211 1320 03	1	Cap screw	MC6S 8 x 12 8.8 Helgängad
39	3719 0041 48	1	Function sticker manual panel	GLUED ON PLATE: 3719000231
40	0147 1371 03	1	Screw	M6S 10 x 70
41	0291 1128 20	1	Lock nut	M10 8 fzb ISO 7040
42	3719 0041 47	1	Gauge sticker manual panel	
43	3719 0041 49	1	Drill water sticker	
44	0216 1957 80	3	Hex socket screw	M6x16
45	0216 1957 59	4	Hex sock c-sunk screw	M5x16FZB DIN 7991
46	3719 0030 68	1	Flow meter display	

Spare parts list

3719 0011 39 Pilot panel PHC U6 DH				
Pos. No.	Part number	Quantity	Description	Remark
48	0211 1207 03	4	Cap screw	M5x16 FZB
51	3719 0012 85	1	Spacer	
52	0661 1038 00	1	Seal washer	TREDO 20-3/4"
53	3719 0012 39	1	Pressure gauge hose kit	
54	0301 2318 00	4	Washer	5.3x10x1 FZB
55	3176 3556 00	1	Nipple	UN 9/16 - 18
-	3719 0006 05	1	Panel-rig hose kit U6 PHC	
-	3719 0006 18	1	Panel hose kit, U6 PHC	
-	3163 1660 00	12	Hose strip	L=350 mm B=25mm
-	3716 2761 00	6	Hose protection	75MM. L=1000
ELKIT	3719 0056 36	1	El.Kit-U6,PHC,panel	HAS SPEC. AND DRAWING IN DRAWUSER
F70	3176 6514 00	2	Nipple	R 3/8 x UN 7/8
F71	3176 6348 00	25	Nipple	UN 9/16 x R 1/4
F72	3715 0584 00	11	Elbow	UN 9/16xUN 9/16
F73	3176 6351 00	1	Elbow	R 1/4 x UN 9/16-18
F74	3176 5427 00	4	Tee	UN 9/16" x UN 9/16"
F75	3176 6593 00	1	Tee	UN 9/16-18 x R 1/4
F76	0653 0905 11	4	Gasket	KBM R 3/8" COPPER
F77	3177 3070 00	1	Nipple	R 1/4"-UN 9/16"
F78	3176 7851 00	4	Nipple	UN 9/16-18 x R 3/8 TYPE B
F79	0686 6442 07	4	Plug g 1/4-ed	VSTI R 1/4-ED
F80	3176 6511 00	2	Nipple	UN 3/4 x R 1/4
F81	3176 5535 00	1	Tee	UN 3/4" x UN 3/4"
F82	3176 6981 00	1	Nipple	3/4-16 UN x 7/8-14 UN
F83	3176 6501 00	1	Nipple	UN 3/4" x UN 9/16"
F84	3176 6615 00	1	Nut	UN 3/4
F85	3715 0585 00	2	Elbow	UN 7/8 U x UN 7/8 I
F86	3176 6502 00	1	Reducer	UN 7/8" x UN 9/16"
F87	3176 6616 00	1	Nut	UN 7/8
F88	3719 0002 72	1	Elbow	3/4" with G 1/4" bore
F89	0606 0000 25	1	Nipple	G 3/4"UF x R 3/4"UF 90t 7210-12-12
F90	0606 0000 31	1	Nipple	G 3/4"UF x G 3/4"IR 7008-12-12
F91	3176 6590 00	1	Tee	UN 7/8 x UN 7/8

Control system

Joystick 4-ports

3719 0008 47

Spare parts list

3719 0008 47				
Pos. No.	Part number	Quantity	Description	Remark
-	3719 0060 83	1	Lever	For joystick 3719000847
-	3719 0060 84	1	Bellow	For joystick 3719000847

Control system

Joystick 2-ports

3719 0008 48

Spare parts list

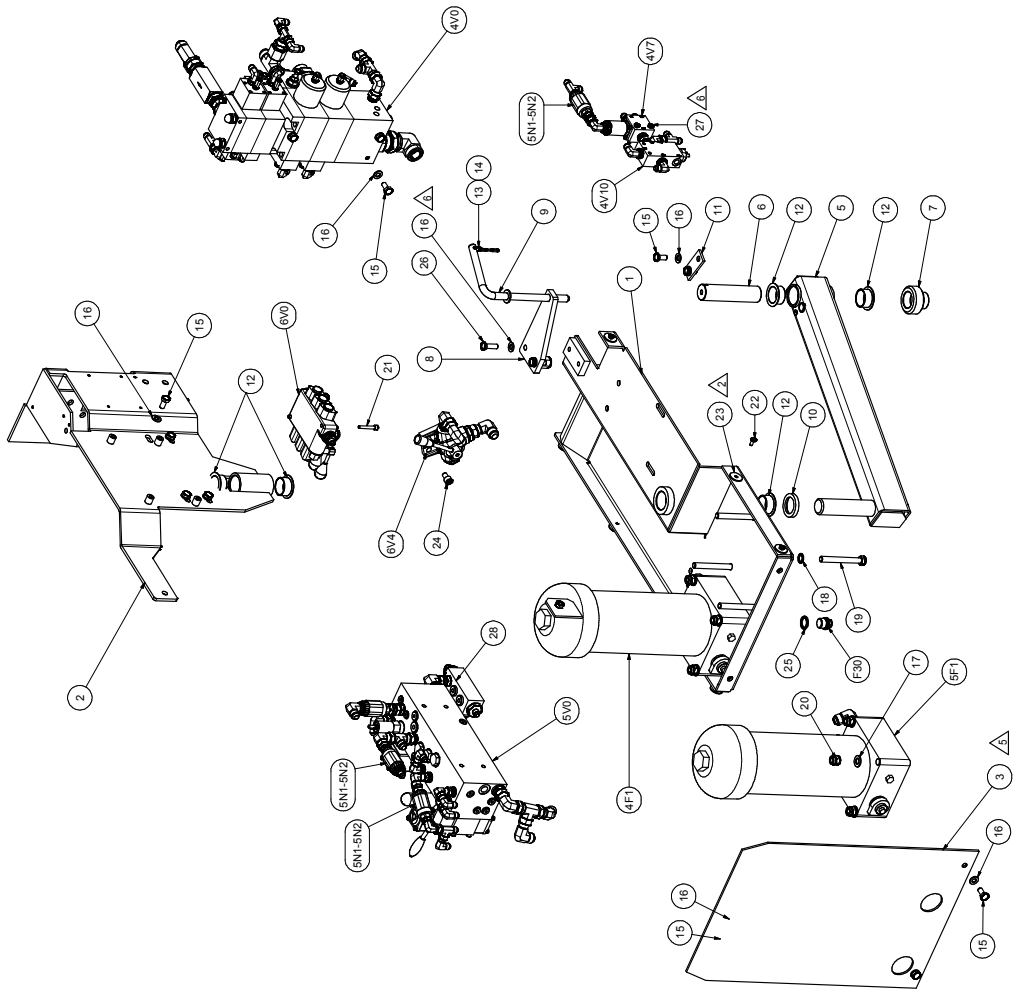
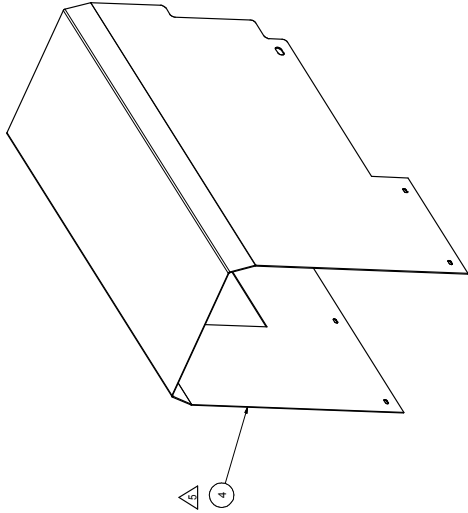
3719 0008 48				
Pos. No.	Part number	Quantity	Description	Remark
-	3719 0061 14	1	Lever kit	For joystick 3719000848
-	3719 0012 46	1	Cap for joystick	Spare to 3719001137,3719000848

Control system

Valve assembly U6 PHC

3719 0008 39

Hoses acc. to: 3719 0006 05
 3719 0006 06
 3719 0006 08
 3719 0006 10
 3719 0006 18
 3719 0007 60 QTY 1
 3719 0052 71 QTY 1



Spare parts list

3719 0008 39 Valve assembly U6 PHC				
Pos. No.	Part number	Quantity	Description	Remark
1	3719 0004 01	1	Oilpan	
2	3719 0002 23	1	Hydraulic plate	
3	3719 0015 75	1	Side plate	
4	3719 0015 76	1	Cover	
5	3719 0003 46	1	Valve assy arm	
6	3719 0003 47	1	Pin	
7	3719 0004 04	1	Bushing	
8	3719 0003 50	1	Bracket	
9	3719 0004 56	1	Locking pin	
10	3719 0004 03	1	Washer	
11	9110 4756 00	1	Securing plate	
12	0500 4500 15	5	Radial bearing flanged	
13	3715 3840 00	1	Ring	RING 20 MM
14	3715 0189 00	0,3	Chain	
15	0147 1360 03	12	Screw	M6S 10 x 20
16	0301 2344 00	14	Washer	BRB 10.5 x 20 x 2
17	0301 2358 00	8	Washer	BRB 13 x 24 x 2.5
18	0661 1023 00	8	Seal washer	TREDO 114
19	0147 1415 03	8	Screw	M6S 12 x 100
20	0291 1128 22	8	Lock nut	M12
21	0211 1252 03	2	Cap screw	MC6S 6 x 40 8.8
22	0147 1244 03	7	Screw	M6S 6 x 12
23	0300 0274 35	7	Plain washer	6.4 x 28 x 2 HB 200 FZB
24	0211 1359 03	2	Cap screw	MC6S 10 x 16 8.8 FZB
25	0661 1033 00	1	Seal washer	TREDO 18
26	0147 1363 03	2	Screw	M6S 10 x 30 ISO4017
27	0147 1253 03	2	Screw	M6S 6 x 45
28	3719 0036 16	1	Drain manifold	
4F1	3719 0002 96	1	Pressure filter housing complete	
4V0	3719 0002 93	1	Valveblock, proportional, pilo	
4V7	3719 0015 77	1	Valve, sequence pilot 6 bar	INCLUDED IN 3719001558
5F1	3719 0002 95	1	Pressure filter housing complete	
5N3	3719 0019 03	1	Valve, nozzle check	3/8"
5V0	3719 0007 82	1	Valveblock, service, pilot	
6V0	3719 0002 99	1	Valve, directional 3 sections	
6V4	3715 8860 00	1	Valve, selector 3 way	VÄLJARVENTIL
4V10	3718 0403 92	1	Sequence valve	QDS-6G-05-B-O-P
5N1-5N2	3742 0666 00	3	Valve	MK6G1.X/V
-	3719 0005 35	1	Selector valve sticker	
-	3719 0005 34	1	Positioner sticker	
-	3719 0006 10	1	Water pump hose kit, jic	
-	3719 0006 18	1	Panel hose kit, U6 PHC	
-	3719 0052 71	1	U6 auto oil circulation hosekit	
-	3719 0006 08	1	WI 1000 hose kit jic	
-	3719 0006 07	1	Pu - rig hose kit jic	
-	3719 0006 05	1	Panel-rig hose kit U6 PHC	

Spare parts list

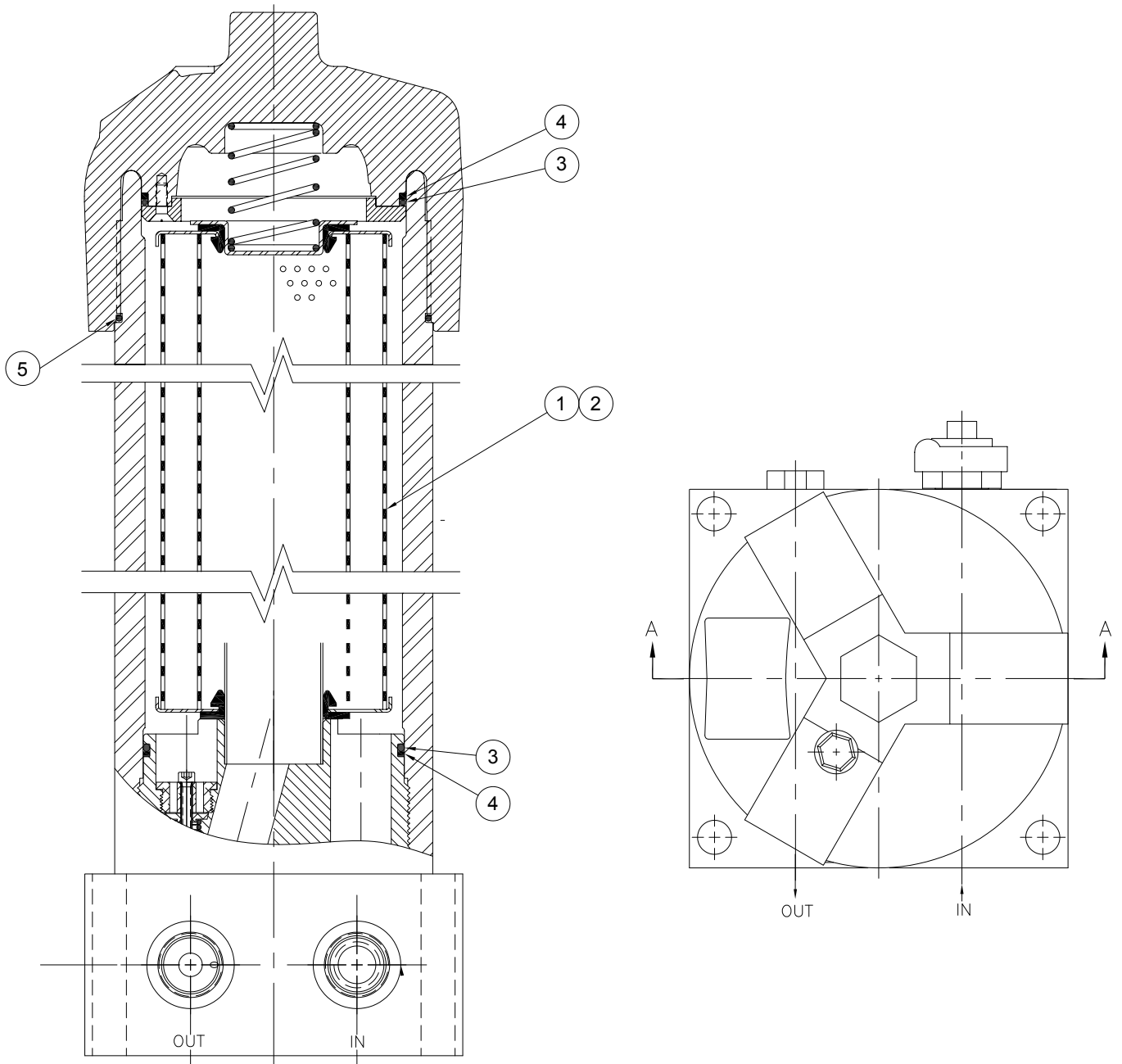
3719 0008 39 Valve assembly U6 PHC				
Pos. No.	Part number	Quantity	Description	Remark
-	3719 0007 60	1	Valve assy hose kit,U6 DH	
F30	0686 3716 02	1	Plug	R 1/2"
F31	3176 6642 00	1	Nipple	R 1" x 1 5/8" UN
F32	3176 6690 00	1	Tee	1.5/8X1.5/8lr1.5/8Ls
F33	3176 6640 00	1	Nipple	1 5/8-12/1 1/16-12
F34	3176 6787 00	1	Nut	1 5/8" UN
F35	3176 6577 00	1	Tee	UN 1 1/16"
F36	3176 6504 00	1	Nipple	1 1/16-12 3/4-16
F37	3176 2930 00	3	Nut	UN 1 1/16"
F38	3176 6511 00	3	Nipple	UN 3/4 x R 1/4
F39	3176 3060 00	4	Elbow	UN 3/4"
F40	3176 5535 00	2	Tee	UN 3/4" x UN 3/4"
F41	3715 0584 00	11	Elbow	UN 9/16xUN 9/16
F42	3176 6351 00	14	Elbow	R 1/4 x UN 9/16-18
F43	3716 3930 00	1	Nipple	G 1/4" x jic 9/16" m8
F44	0570 7000 05	3	Nipple	UN 1 7/16-12 - BSPP 1"
F45	3176 6518 00	2	Nipple	R 1" x UN 1 1/16
F46	3176 6591 00	4	Tee	UN 1 1/16"
F47	3176 6503 00	2	Nipple	UN 1 1/16"-9/16"
F48	3176 5428 00	2	Tee	UN 9/16" x UN 9/16"
F49	3176 2131 00	4	Nipple	UN 7/8 x R 3/4
F50	3176 6517 00	2	Nipple	UN 1 1/16-R 3/4
F51	3176 6505 00	2	Nipple	UN 1 1/16 x 7/8
F52	3715 0585 00	6	Elbow	UN 7/8 U x UN 7/8 I
F53	3716 3930 01	1	Elbow	JIC 9/16 X G1/4 W M8
F54	3176 6348 00	12	Nipple	UN 9/16 x R 1/4
F55	3176 6512 00	4	Nipple	R 3/8 - UN 3/4
F56	0686 6442 07	4	Plug	VSTI R 1/4-ED
F57	3742 0670 00	1	Nipple	R 3/8-9/16 UN
F58	0570 7025 15	2	Nipple	Orfs 16 x G1.1/4 S
F59	3176 6514 00	1	Nipple	R 3/8 x UN 7/8
F60	3176 6615 00	1	Nut	UN 3/4
F61	3176 8489 00	3	Nipple	R 1/4" x UN 9/16"
F62	3176 5427 00	3	Tee	UN 9/16" x UN 9/16"
F63	0570 5040 07	1	Nipple	3/4-16 UNF x R 1/4
F64	3176 6549 00	1	Elbow	45 UN 7/8-UN 7/8
F65	3176 6590 00	1	Tee	UN 7/8 x UN 7/8
F66	3176 6564 00	1	Elbow	R 1/2 x UN 3/4-16
F67	3176 6548 00	2	Elbow	45 GR.UN 3/4U x UN 3/4I
F68	3176 6565 00	1	Elbow	R 1/2" x UN 7/8"
F69	3176 6515 00	1	Nipple	UN 7/8 x R 1/2
F70	3715 6344 00	2	Nipple	R 1/2" x UN 9/16"
F71	0570 7009 05	1	Nipple	UN 1.7/16-12
F72	3718 0263 00	1	Check valve	1/2" 0.5 BAR
F73	3176 6593 00	1	Tee	UN 9/16-18 x R 1/4
F74	3176 8490 00	1	Nipple	UN 7/8" x R 1/2"

Spare parts list

3719 0008 39 Valve assembly U6 PHC				
Pos. No.	Part number	Quantity	Description	Remark
F75	3176 6516 00	1	Nipple	R 1/2-UN 1 1/16
F76	3715 0820 00	1	Cap	UN 1 1/16"-12 12FNTXS
F77	3715 6441 00	3	Nozzle	M8 X 10 0.7MM
F78	3176 6513 00	2	Nipple	UN 3/4 x R 1/2
F79	0686 3718 01	3	Plug	VSTI R 3/8-ED
F80	3176 8270 00	2	Nipple	UN 3/4" x R 3/8"
F81	3176 6501 00	1	Nipple	UN 3/4" x UN 9/16"
F82	3719 0031 36	2	Nippel	
F83	0661 1049 00	2	Seal washer	G1" TREDO 23
F84	3176 6344 00	1	Elbow	UN 3/4 x R 3/8 90GR

Control system

Pressure filter, spare parts kit

3719 0004 46

Spare parts list

3719 0004 46 Pressure filter, spare parts kit				
Pos. No.	Part number	Quantity	Description	Remark
1	-	1	Main filter insert 9"	KZX25
2	-	1	Service filter insert 9"	KZ25
3	-	4	O-ring	LFT-105
4	-	4	Backup ring	LF-2112
5	-	2	O-ring	LF-5877

Control system

PU - Rig hose kit

3719 0006 07

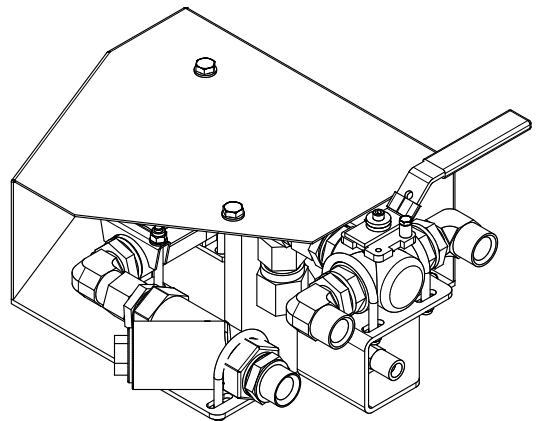
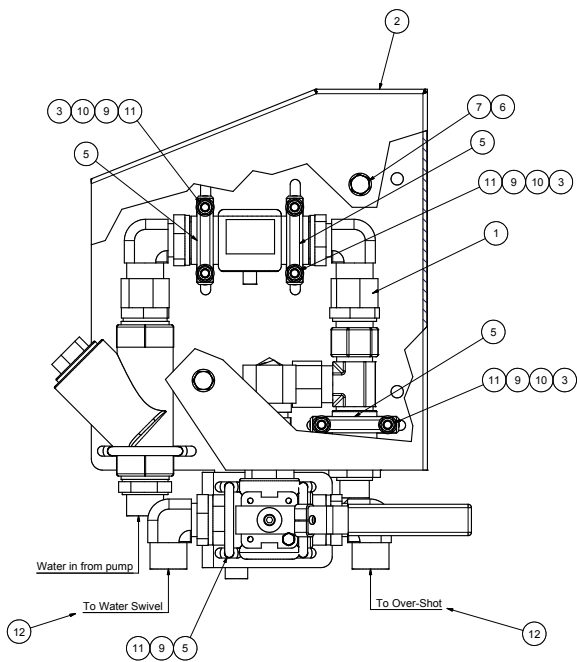
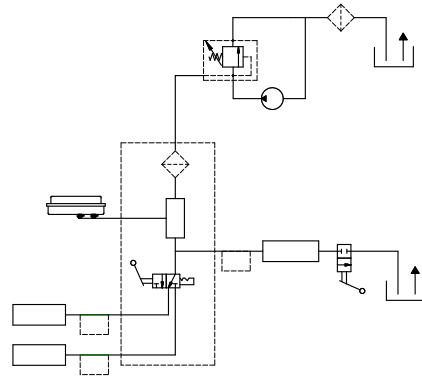
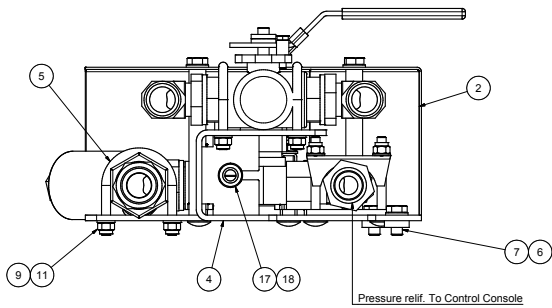
Spare parts list

3719 0006 07 PU - Rig hose kit								
Pos. No.	Part number	Quantity	Hose Dia.	Hose type	Length	End A	End B	Use
1B	0574 2255 02	1	1"	1106-03-16 KAPPAFLEX 3	7 100	ORFS, UN 1.7/16-12- IR	ORFS, UN 1.7/16-12- IR	MainP
3B	0574 0071 74	1	1.1/4"	1438-00-20 SAE 100 R4	6 500	JIC, UN 1.5/8-12-IR	JIC, UN 1.5/8-12-IR	Ret
4B	0574 3256 42	1	3/8"	1104-03-06 KAPPAFLEX 2	6 900	JIC, UNF 3/4-16-IR	JIC, UNF 3/4-16-IR	Pilot
5B	0574 0072 42	1	1/2"	1104-03-08 KAPPAFLEX 2	7 200	JIC, UNF 7/8-14-IR	JIC, UNF 7/8-14-IR	ServP
21A	0574 0072 86	1	1/2"	1104-03-08 KAPPAFLEX 2	10 600	JIC, UNF 7/8-14-IR	JIC, UNF 7/8-14-IR	Drain

Control system

Water control kit, PHC

3719 0037 69



Spare parts list

3719 0037 69 Water control kit, PHC				
Pos. No.	Part number	Quantity	Description	Remark
1	3719 0037 70	1	Water system PHC	
2	3719 0037 73	1	Cover plate	
3	3719 0037 74	3	Distance washer	
4	3719 0037 75	1	Base plate	
5	0346 2900 12	3	Pipe clamp	Type u-bolt max 51mm, m8
6	0301 2344 00	8	Washer	BRB 10.5 x 20 x 2
7	0147 1360 03	4	Screw	M6S 10 x 20
9	0301 2335 00	12	Washer	BRB 8.4 x 16 x 1.6 SS
10	0017 9892 65	6	Sq neck bolt	M8 X 75
11	0291 1128 18	12	Lock nut	M8 HÖG fzb ISO 7040
12	3715 7327 02	2	Hose	1" L=5000 200BAR WATER, G 1"-IR / WATER, G 1"-IR
17	3719 0049 44	1	Reducer	PG13,5 - PG9
18	3719 0049 43	1	Pist connection	PG13.5

Winch

W-L winch 1300 kit, JIC

3719 0015 31

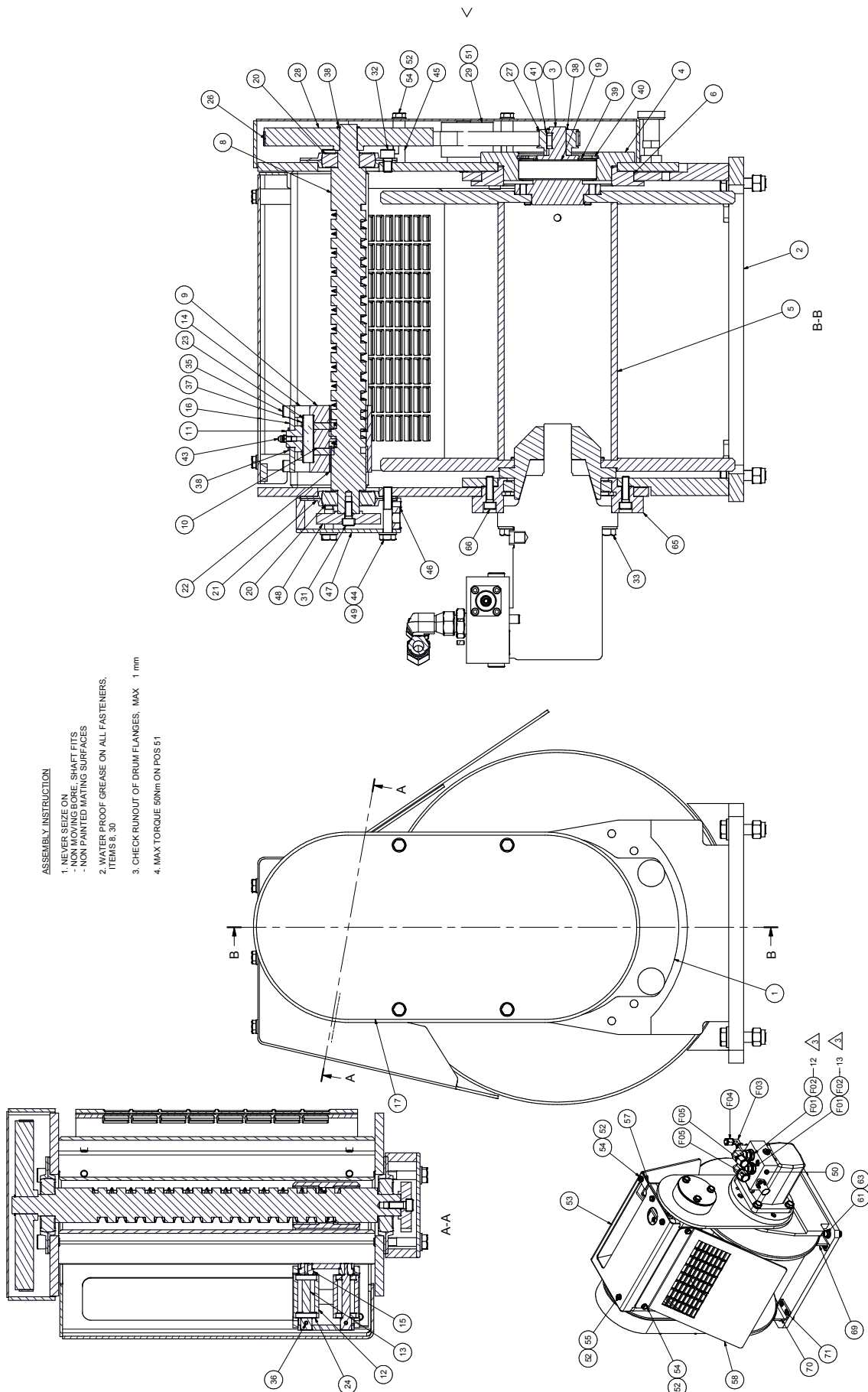
Spare parts list

3719 0015 31 W-L winch 1300 kit, JIC				
Pos. No.	Part number	Quantity	Description	Remark
	3719 0063 62	1	Wire line DH hoist assembly	
	3719 0006 08	1	WL 1000 hose kit jic	
	3719 0000 48	1	Mast head	
	3719 0001 71	1	Top pulley	

Winch

Wire Line DH hoist assembly

3719 0063 62

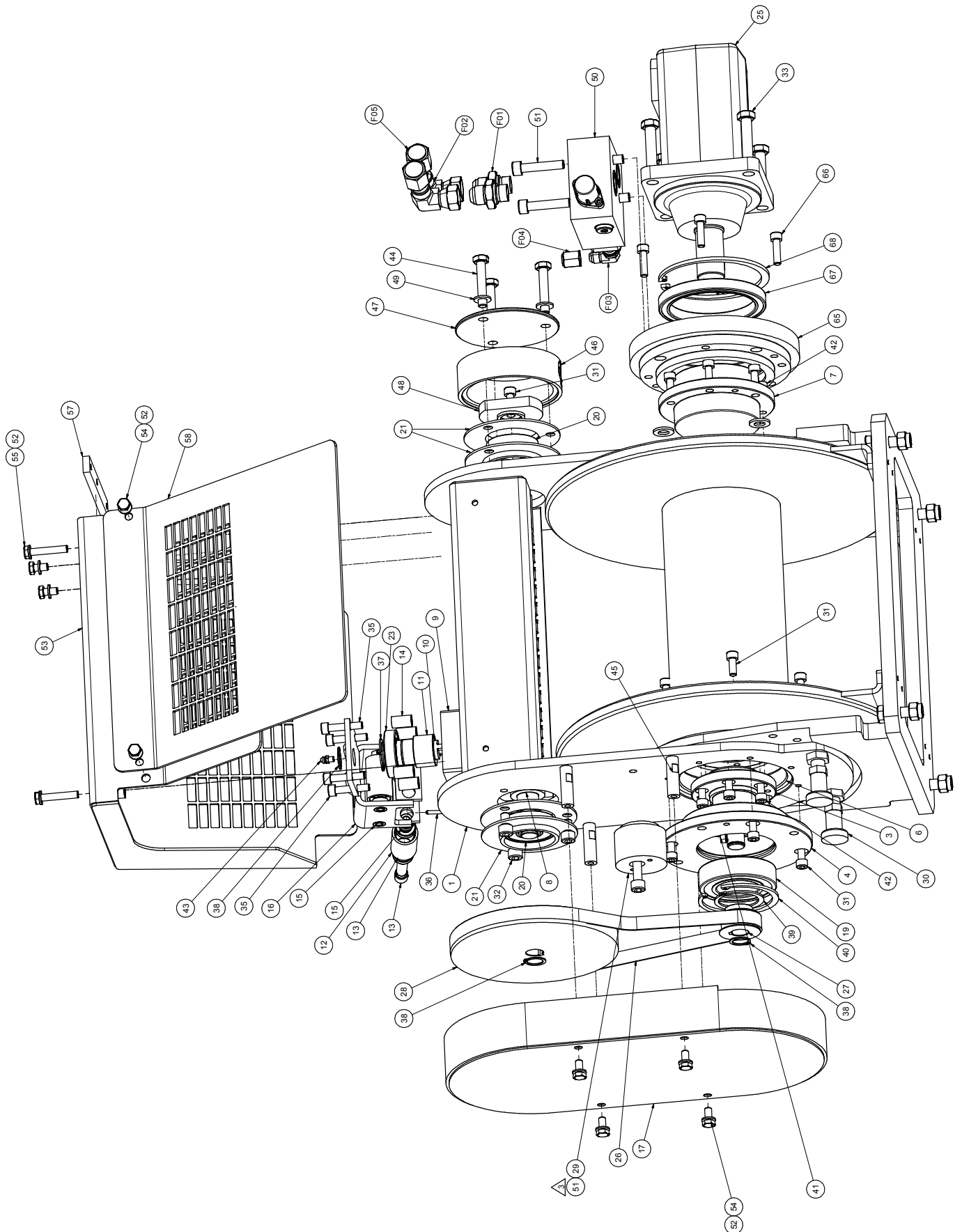


Spare parts list

3719 0063 62 Wire Line DH hoist assembly				
Pos. No.	Part number	Quantity	Description	Remark
F01	3176 6515 00	2	Nipple	UN 7/8 x R 1/2
F02	3715 0585 00	2	Elbow	UN 7/8 U x UN 7/8 I
F03	3176 6351 00	1	Elbow	R 1/4 x UN 9/16-18
F04	3176 5429 00	1	Cap	UN 9/16"-18
F05	3715 0597 00	2	Cap	UN 7/8"-14
01	3719 0007 88	1	Arm DH	
02	3719 0007 86	1	Stand DH	
03	3719 0000 56	1	Shaft	
04	3719 0000 57	1	Bearing housing	
05	3719 0007 87	1	Drum DH	
06	3719 0000 59	1	Flange	
07	3719 0057 98	1	Hub wire line	
08	3719 0007 85	1	Level wind screw DH	
09	3719 0000 62	1	Follower housing	
10	3719 0000 63	1	Follower	
11	3719 0000 64	1	Shaft	
12	3719 0000 65	4	Roller	
13	3719 0000 66	4	Roller shaft	
14	3719 0000 67	4	Spacer	
15	3719 0000 68	4	Spacer	
16	3719 0000 69	1	Bracket	
17	3719 0000 70	1	Belt cover	
19	0503 1090 06	1	Ball bearing	
20	0502 1091 86	2	Ball bearing	
21	3719 0001 20	4	Bearing housing	
22	3137 0003 91	2	Plain bearing	
23	0502 1222 00	1	Ball bearing	
24	0502 1090 68	8	Ball bearing	
25	3719 0053 93	1	Hydraulic motor	315 cc
26	3719 0016 38	1	Belt	L=890mm
27	3719 0001 15	1	Sprocket	14T
28	3719 0016 32	1	Sprocket	62T
29	3719 0001 17	1	Tensioning pulley	
30	3719 0001 18	2	Lock pin	
31	0211 1323 03	9	Cap screw	MC6S M8 x 20
32	0211 1359 03	3	Cap screw	MC6S 10 x 16 8.8 FZB
33	0147 1407 03	4	Screw	M6S 12 x 60
35	0211 1328 03	4	Cap screw	MC6S 8 x 40 8.8 FZB
36	0108 1690 39	4	Spring pin	4 x 25 connex
37	0335 1132 00	1	Circlip	SGA 30 DIN 471
38	0335 1122 00	3	Circlip	SGA 20
39	0335 1145 00	1	Circlip	SGA 50
40	0335 2165 00	1	Circlip	SGH 90 DIN 472
41	0337 2617 00	2	Parallel key	6 x 6 x 18 TYP A
42	0211 1322 03	12	Cap screw	MC6S 8 x 16 8.8 FZB
43	0544 1106 00	1	Lub. Nipple	M6 SMS 1567

Winch

Wire Line DH hoist assembly

3719 0063 62


Spare parts list

3719 0063 62 Wire Line DH hoist assembly				
Pos. No.	Part number	Quantity	Description	Remark
44	0147 1368 03	3	Screw	M6S 10 x 55
45	3719 0001 59	4	Spacer	
46	3719 0003 04	1	Housing	
47	3719 0003 05	1	Cover	
48	3719 0003 06	1	Indicator disc	
49	0301 2344 00	3	Washer	BRB 10.5 x 20 x 2
50	3719 0018 17	1	Valve, unloading flangable v2	
51	0211 1367 03	1	Cap screw	MC6S 10 x 50 8.8 FZB
52	0301 2335 00	10	Washer	BRB 8.4 x 16 x 1.6 SS
53	3719 0015 16	1	Wireline guard DH	
54	0147 1322 03	8	Screw	M6S 8 x 16
55	0147 1329 03	2	Screw	M6S 8 x 45
56	0211 1367 03	2	Cap screw	MC6S 10 x 50 8.8 FZB
57	3719 0015 33	1	Lock plate	
58	3719 0015 17	1	Wireline guard dh plate	
61	0147 1404 03	4	Screw	M6S 12 x 45
62	0301 2358 00	8	Washer	BRB 13 x 24 x 2.5
63	0291 1128 23	4	Lock nut	M12 8 fzb ISO 7043
65	3719 0057 99	1	Flange wire line	
66	0211 1326 03	4	Cap screw	M8x30
67	0502 1092 39	1	Ball bearing	TYP D2 D,100 D1,125 B13 rubber friction sealed on both sides
68	0335 2177 00	1	Circlip	SGH 125 DIN 472
69	3719 0068 68	2	Wire guidance plate	
70	3719 0068 69	2	Wire guidance plate mirror	
71	0211 1245 03	8	Cap screw	MC6S 6 x 14 FZB

W/L hoist

W/L 1000 hose kit

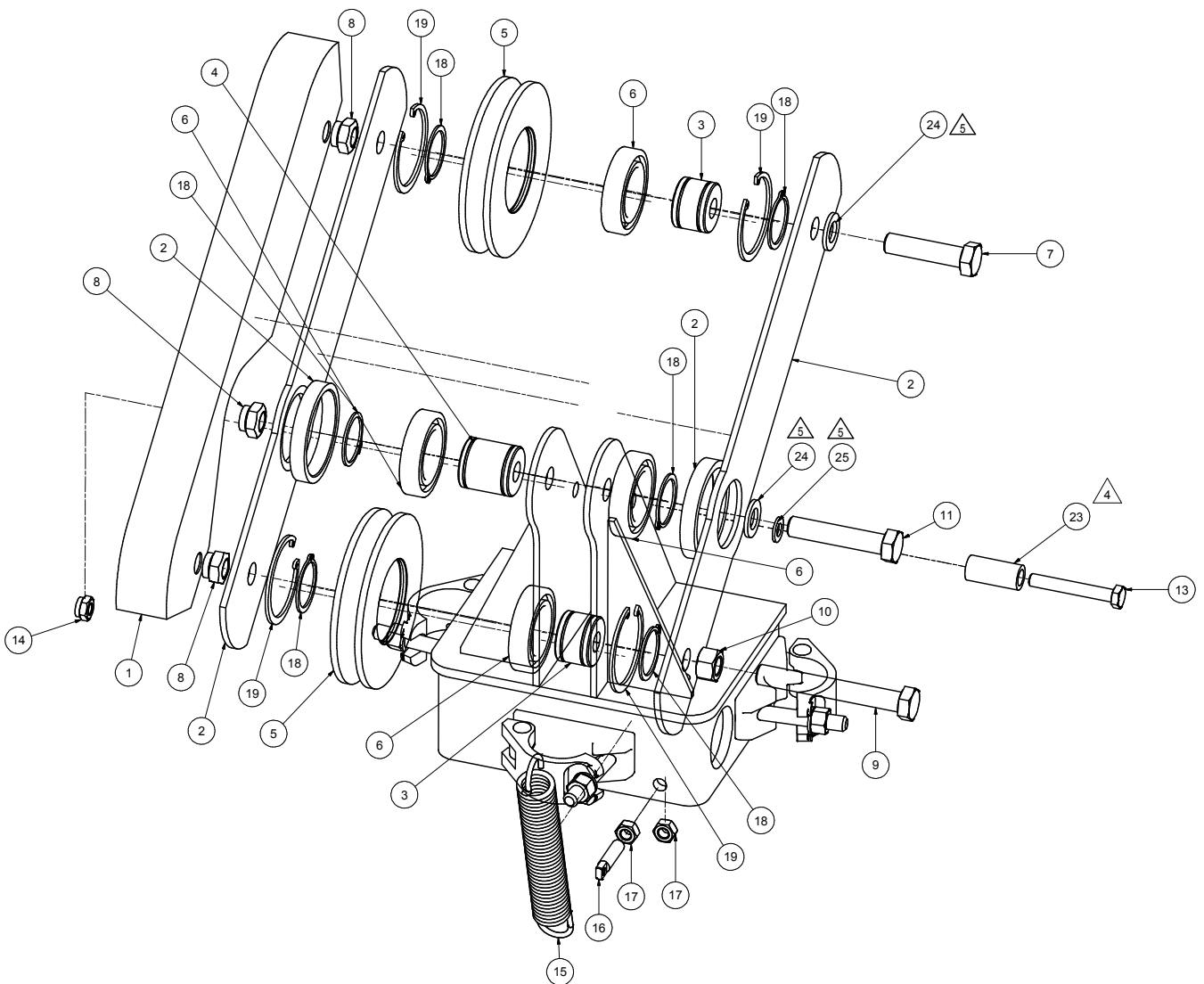
3719 0006 08

Spare parts list

3719 0006 08								
Pos. No.	Part number	Quantity	Hose Dia	Hose type	Length	End A	End B	Use
12	0574 0071 55	1	1/2"	1104-03-08 KAPPAFLEX 2	1 500	JIC, UNF 7/8-14-IR	JIC, UNF 7/8-14-IR	WLout
13	0574 0071 55	1	1/2"	1104-03-08 KAPPAFLEX 2	1 500	JIC, UNF 7/8-14-IR	JIC, UNF 7/8-14-IR	WLin
20	0574 0071 61	1	1/4"	1104-03-04 KAPPAFLEX 2	2 200	JIC, UNF 9/16-18-IR	JIC, UNF 9/16-18-IR	WLpi

Diamec U6

Top pulley

3719 0001 71

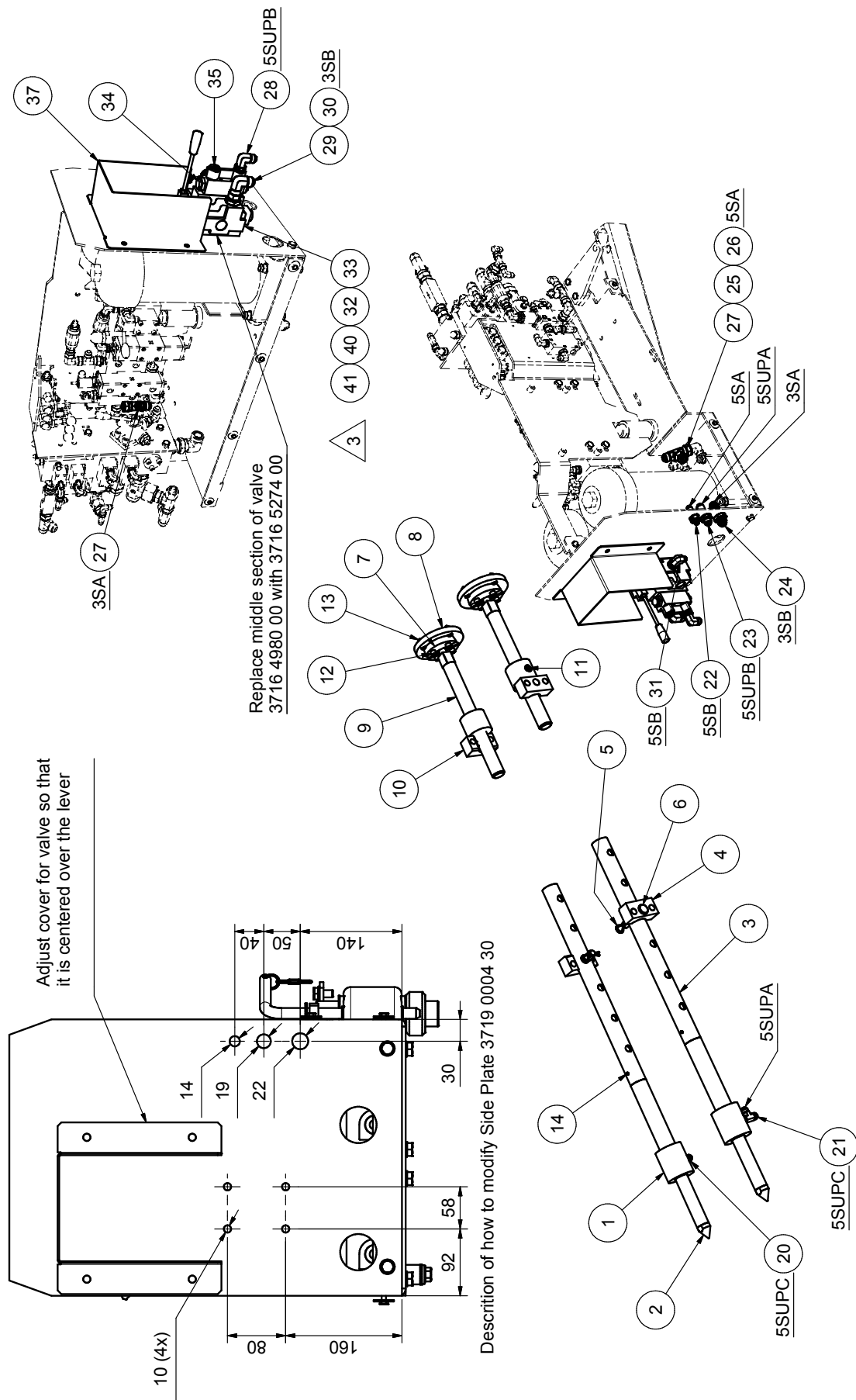
Spare parts list

3719 0001 71 Top pulley				
Pos. No.	Part number	Quantity	Description	Remark
1	3716 4390 00	1	Cover	
2	3715 8464 00	2	Arm	
3	3715 8460 00	2	Shaft	
4	3715 8461 00	1	Shaft	
5	3715 8462 00	2	Pulley	
6	0502 1229 00	4	Ball bearing	6008 2RS1
7	0147 1482 03	1	Screw	M6S 16 x 65 8.8 FZB
8	0291 1114 00	3	Lock nut	M16 LM6M DIN 985-6 FZB
9	0147 1958 78	1	Screw	M6S 16 x 120
10	0266 2114 00	1	Hex. Nut	M6M M16
11	0147 1485 03	1	Screw	M6S 16 x 80
13	0147 1371 03	1	Screw	M6S 10 x 70
14	0291 1111 00	1	Lock nut	M10 LM6M 6924-8
15	3719 0002 37	1	Spring	
16	3719 0002 38	1	Spring bracket	
17	0266 2111 00	2	Hex. Nut	M6M M10
18	0335 1140 00	6	Circlip	SGA 40 DIN 471
19	0335 2155 00	4	Circlip	SGH 68 DIN 472
23	3719 0063 58	1	Distance bushing	
24	0301 2378 00	2	Washer	BRB 17 x 30 x 3
25	0301 2344 00	1	Washer	BRB 10.5 x 20 x 2

Option

Bracing device (support jacks)

3719 0027 94



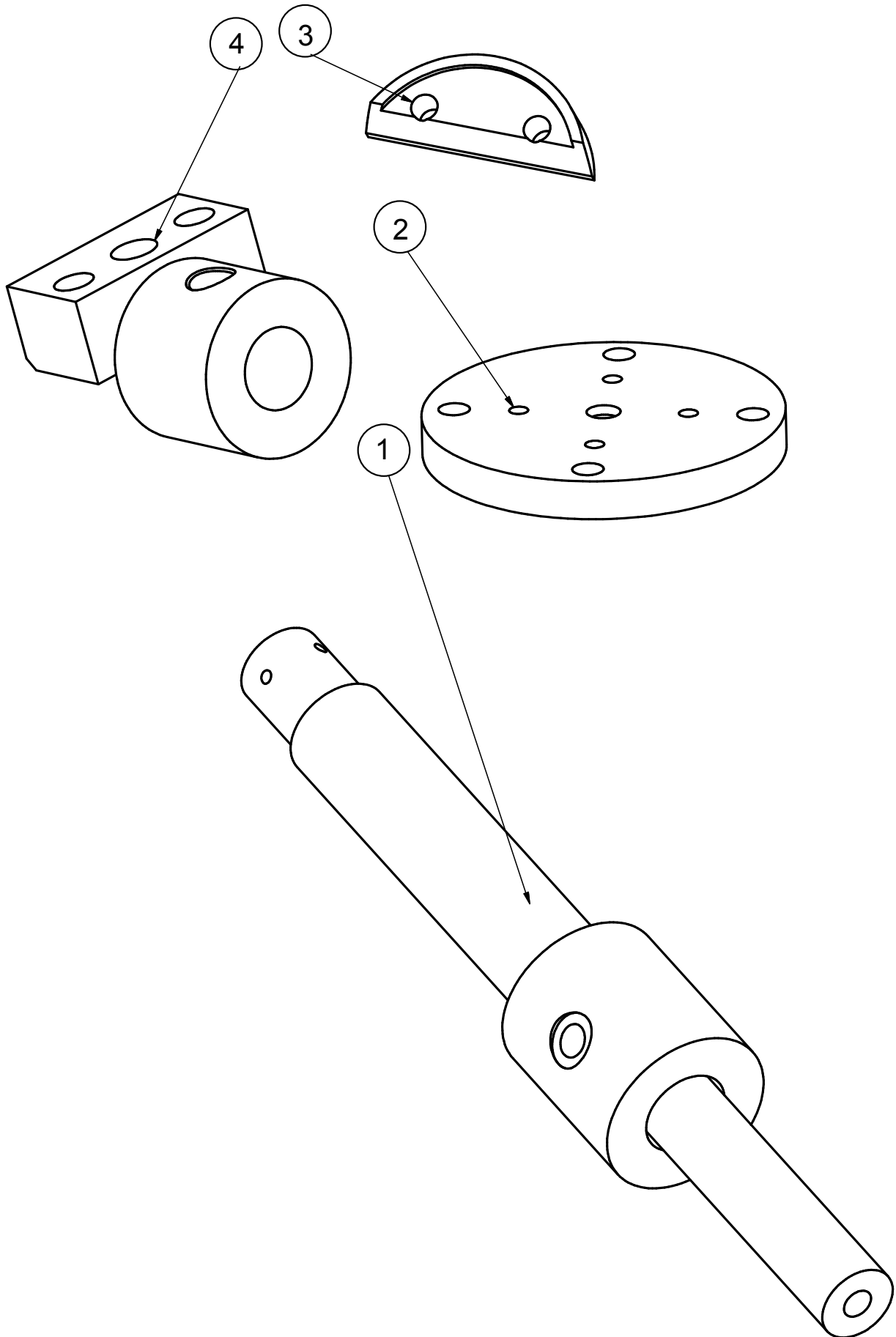
Spare parts list

3719 0027 94 Bracing device (support jacks)				
Pos. No.	Part number	Quantity	Description	Remark
1	3719 0056 03	1	Bracing device kit	(B)
2	3715 8783 00	2	Dowel	
3	3715 8785 00	2	Extension rod	
4	3719 0019 66	2	Clamp, stinger	
5	3715 8792 00	2	Hair pin	TYP HNS RAK 4 mm
6	0113 4615 29	2	Clevis pin	20 x 100
7	3715 8793 00	1	Plate	
8	3715 8791 00	1	Foot	
9	3715 8786 00	2	Support screw	
10	3719 0005 51	1	Bracing device nut	
11	0544 1106 00	2	Lub. Nipple	M6 SFÄRISK RAK SMS 1567
12	0211 1364 03	8	Cap screw	MC6S 10 x 35 8.8
13	0194 1476 00	8	Set screw	S6SS 16 x 35
14	0108 1334 00	2	Spring pin	FRP 6 x 50
20	3176 6512 00	1	Nipple	R 3/8 - UN 3/4
21	3176 6594 00	1	Tee	R 3/8 - UN 3/4
22	3176 6497 00	1	Bh union	SKOTTGENOMG. 3/4"
23	3176 6496 00	1	Bh union	UN 9/16" x UN 9/16"
24	3176 6498 00	1	Bh union	UN 7/8" x UN 7/8"
25	3176 6502 00	1	Reducer	UN 7/8" x UN 9/16"
26	3176 6616 00	1	Nut	UN 7/8
27	3176 6590 00	2	Tee	UN 7/8 x UN 7/8
28	3176 6344 00	1	Elbow	UN 3/4 x R 3/8 90GR
29	3715 0585 00	1	Elbow	UN 7/8 U x UN 7/8 I
30	3176 6515 00	1	Nipple	UN 7/8 x R 1/2
31	3176 6352 00	1	Elbow	R 3/8" x UN 9/16"
32	3716 5274 00	1	Valve section	
33	3716 4980 00	1	Valve	SD6
34	3716 5272 00	1	Check valve pilot operated	BP3
35	0686 3718 01	1	Plug	VSTI R 3/8-ED
36	3719 0052 25	1	Hose kit, bracing device U6	
37	3719 0063 53	1	Cover for valve	
40	0301 2335 00	4	Washer	BRB 8.4 x 16 x 1.6 SS
41	0147 1321 03	4	Screw	M6S 8 x 14

Option

Bracing device kit

3719 0056 03

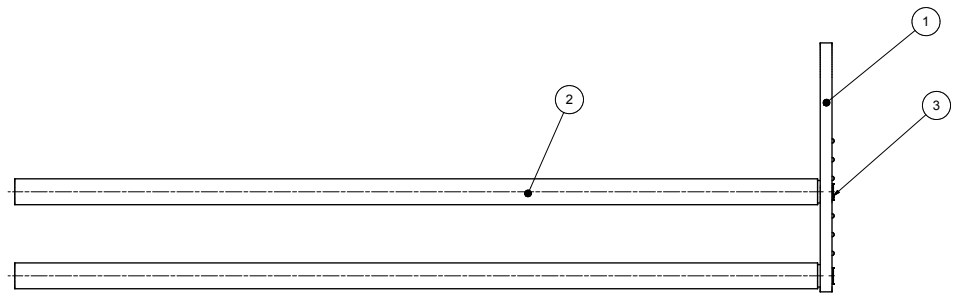
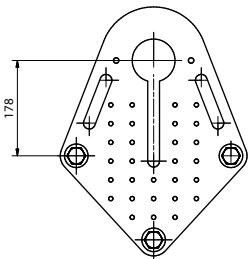


Spare parts list

3719 0056 03 Bracing device kit				
Pos. No.	Part number	Quantity	Description	Remark
1	3715 8784 00	2	Cylinder	
-	3715 8784 90	1	Packing kit	
2	3715 8791 00	2	Foot	
3	3715 8793 00	4	Plate	
4	3719 0005 51	2	Bracing device nut	

Option

Keyhole wall bracket A-N rotation

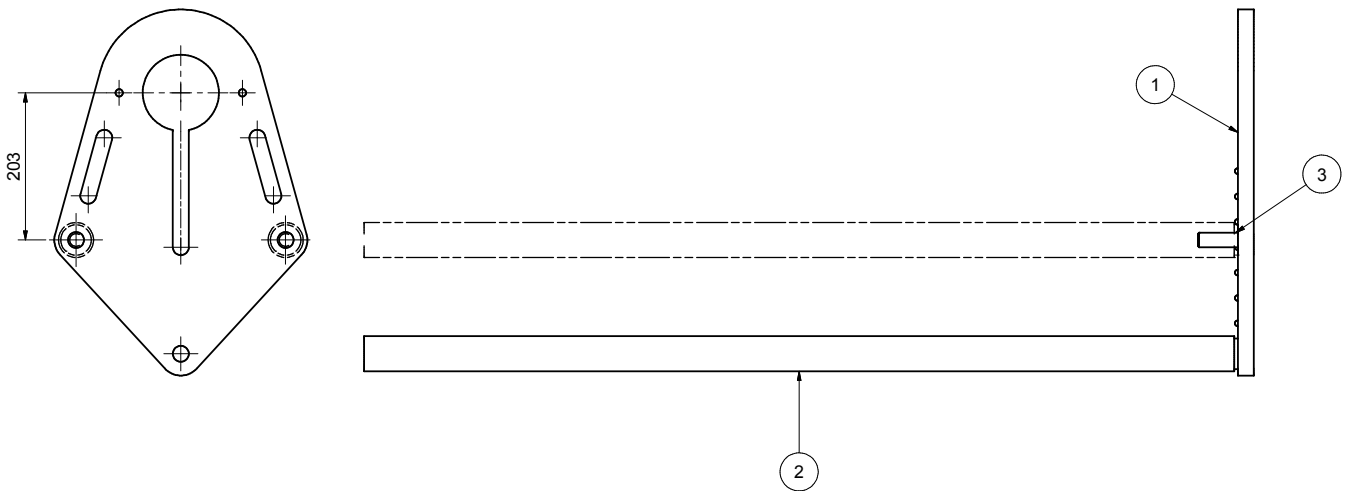
3719 0002 18

Spare parts list

3719 0002 18 Keyhole wall bracket A-N rotation				
Pos. No.	Part number	Quantity	Description	Remark
1	3719 0001 80	1	Wall bracket	
2	3715 6973 00	1	Extension leg	
3	0147 1552 03	3	Screw	M6S M20 x 55 FZB

Option

Keyhole wall bracket B-H rotation

3719 0067 71

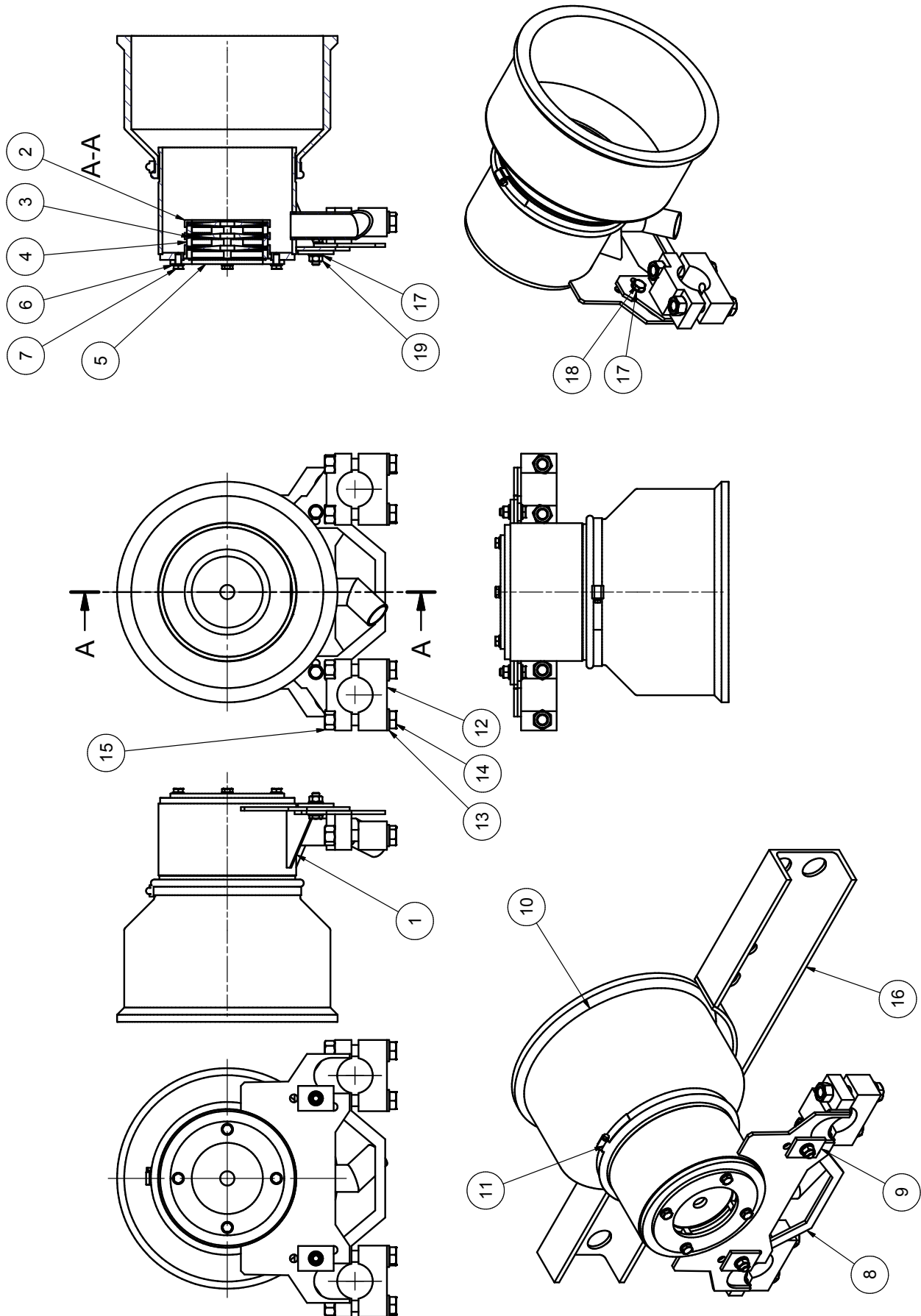
Spare parts list

3719 0067 71 Keyhole wall bracket B-H rotation				
Pos. No.	Part number	Quantity	Description	Remark
1	3719 0002 90	1	Keyhole wall bracket B-H	
2	3715 6973 00	1	Extension leg	
3	0147 1552 03	3	Screw	M6S M20 x 55 FZB

Option

Water collector

3719 0032 45

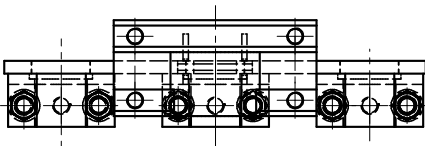
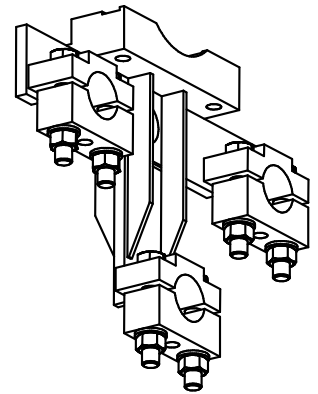
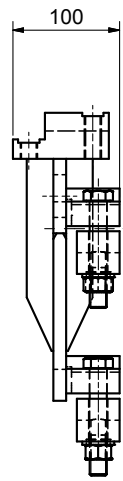
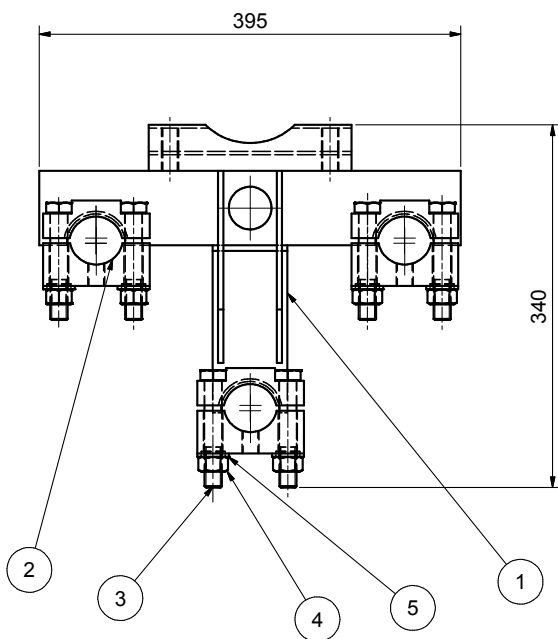


Spare parts list

3719 0032 45 Water collector				
Pos. No.	Part number	Quantity	Description	Remark
1	3719 0032 53	1	Water collector base U6	
2	3719 0032 46	1	Retainer	
3	3719 0032 48	3	Sealring	
4	3719 0032 47	3	Spacer	
5	3719 0032 51	1	Flange	
6	0301 2335 00	4	Washer	BRB 8.4 x 16 x 1.6 SS
7	0147 1321 03	4	Screw	M6S 8 x 14
8	3719 0032 49	1	Support plate for W.C.Kit	
9	3719 0032 52	2	Locking plate	
10	3217 0528 00	1	Bellows	
11	0347 6123 00	1	Hose clip	205 x 232
12	3719 0002 05	2	Clamp	
13	0301 2378 00	4	Washer	BRB 17 x 30 x 3
14	0147 1487 03	4	Screw	M6S 16 x 90
15	0266 2114 00	4	Hex. Nut	M6M M16
16	3719 0014 64	1	Wall bracket for water collect	
17	0301 2344 00	4	Washer	BRB 10.5 x 20 x 2
18	0147 1363 03	2	Screw	M6S 10 x 30 ISO4017
19	0266 2111 00	2	Hex. Nut	M6M M10

Option

Bracket for casing clamp

3719 0006 23

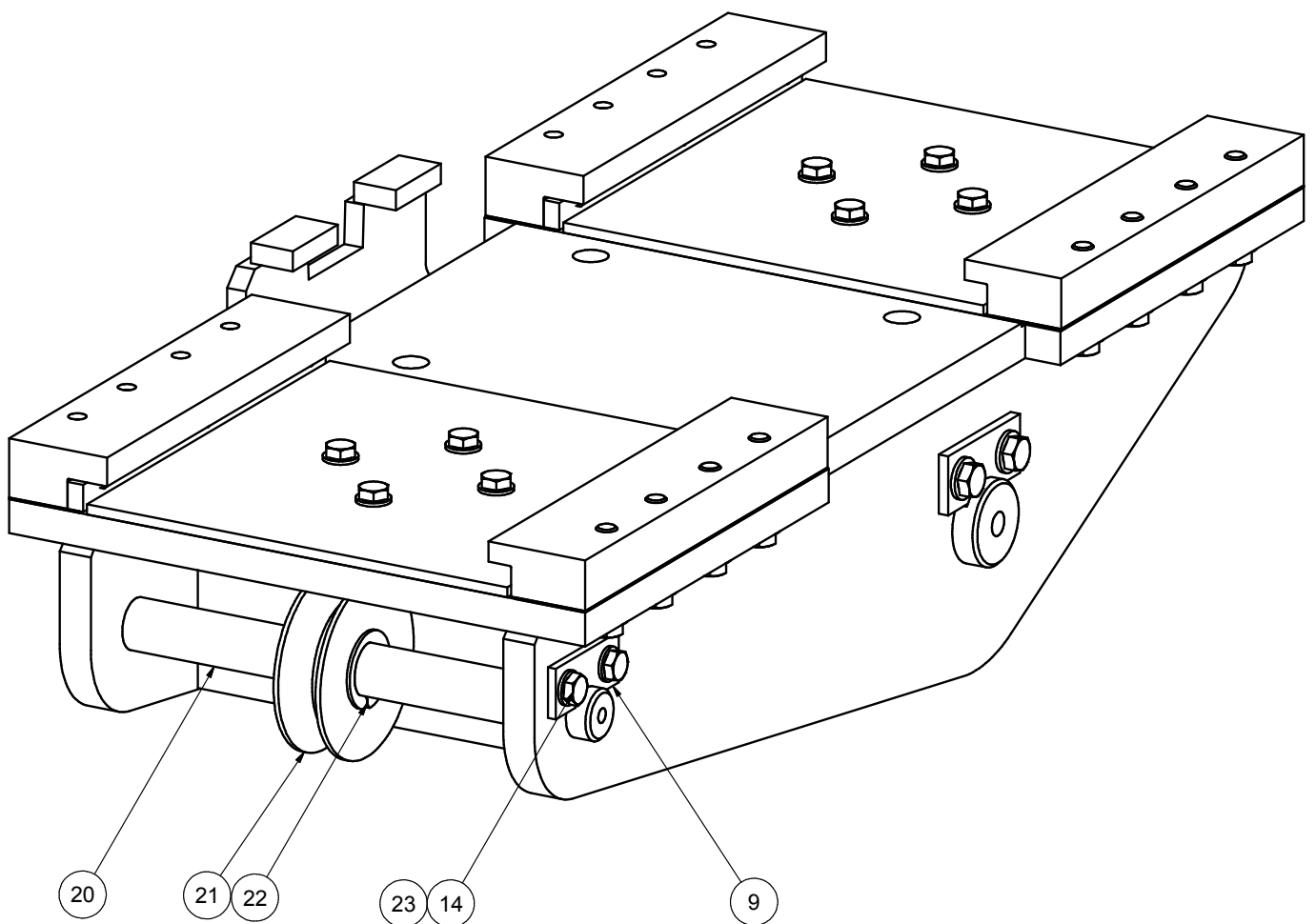
Spare parts list

3719 0006 23 Bracket for casing clamp				
Pos. No.	Part number	Quantity	Description	Remark
1	3719 0006 32	1	Casing clamp bracket	
2	3719 0002 05	3	Clamp	
3	0211 1962 04	6	Cap screw	MC6S 16 x 100 8.8
4	0291 1128 25	6	Lock nut	M16 FZB
5	0301 2178 01	6	Washer	BRB 17 x 30 x 3

Option

Wireline sheave for steep uphole

3719 0003 93



Spare parts list

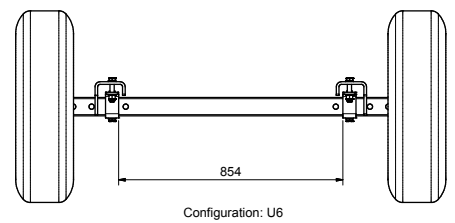
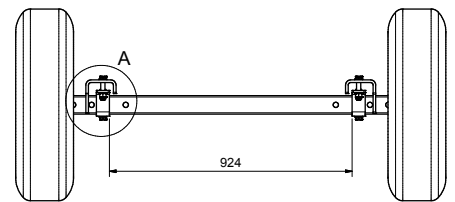
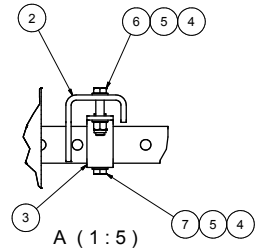
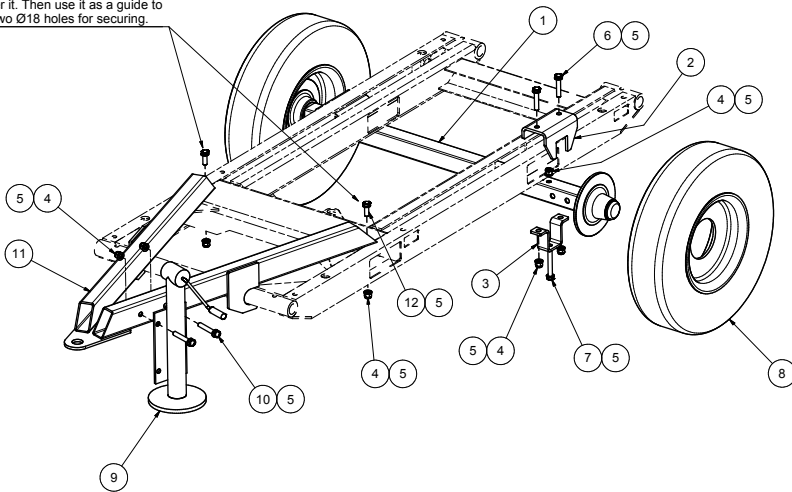
3719 0003 93 Wireline sheave for steep uphole				
Pos. No.	Part number	Quantity	Description	Remark
9	9110 4756 00	1	Securing plate	
14	0147 1360 03	2	Screw	M6S 10 x 20
20	3719 0001 99	1	Shaft	
21	3719 0000 77	1	Wheel	
22	0500 4500 82	1	Radial bearing flange	
23	0301 2344 00	2	Washer	BRB 10.5 x 20 x 2

Option

Wheel kit rig

3719 0041 71

Place Pull Bar (3719 0041 65) on skid according to this drawing and center it. Then use it as a guide to drill two $\varnothing 18$ holes for securing.



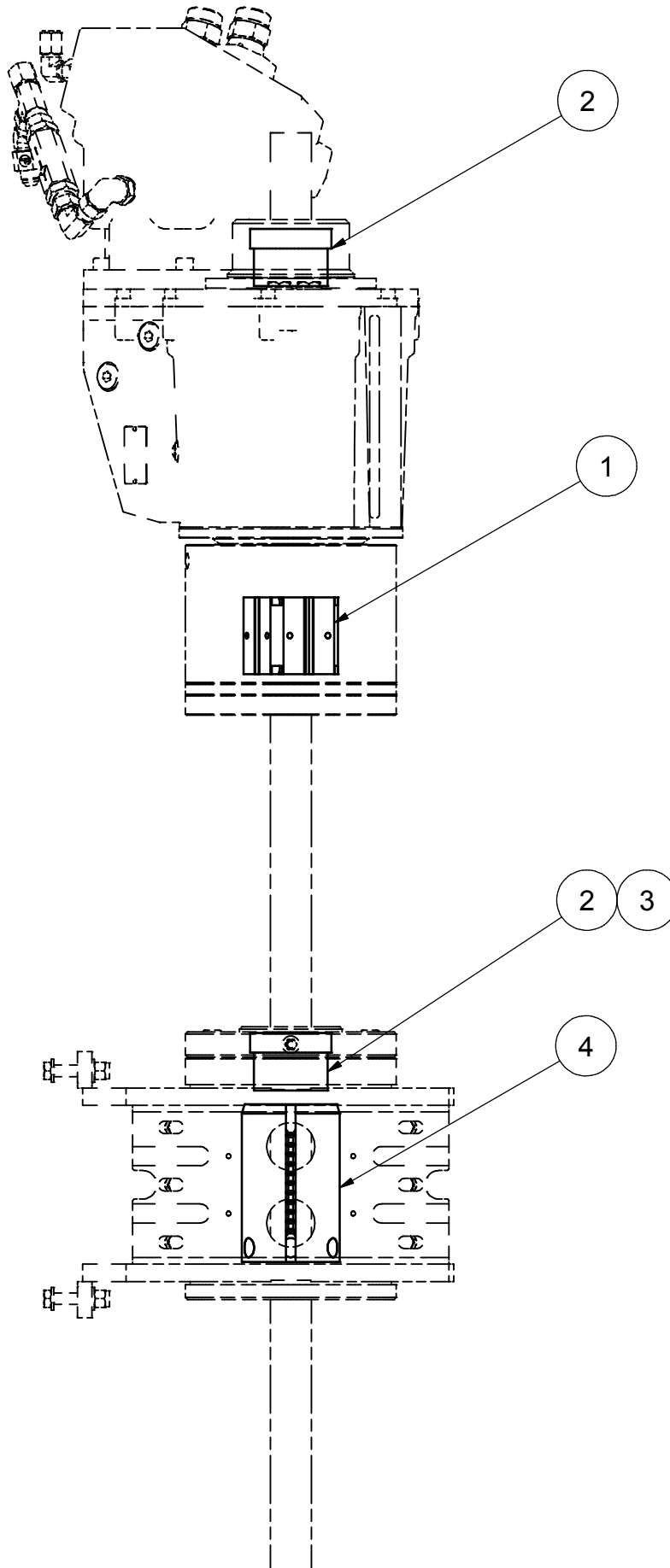
Spare parts list

3719 0041 71 Wheel kit rig				
Pos. No.	Part number	Quantity	Description	Remark
1	3719 0041 66	1	Wheel axle	
2	3719 0019 68	2	Wheel kit clamp	
3	3719 0041 68	2	Wheel kit bracket	PU 45/55/75
4	0291 1128 25	10	Lock nut	M16 FZB
5	0301 2378 00	20	Washer	BRB 17 x 30 x 3
6	0147 1485 03	4	Screw	M6S 16 x 80
7	0147 1491 03	2	Screw	M6S 16 x 110 8.8 FZB
8	3719 0009 98	2	Wheel	
9	3719 0011 86	1	Support leg	3000 KG
10	0147 1489 03	2	Screw	M6S 16 x 100 FZB 8.8
11	3719 0041 65	1	Pull bar	
12	0147 1478 03	2	Screw	M6S 16 x 45

Dimension rel. kits

A jaw & guide kits

3719 00xx xx



A jaw & guide kit 43mm, A-N rot.**3719 0052 80**

Pos. No.	Part number	Quantity	Description	Remark
1	3719 0007 06	1	Chuck jaw kit	43mm
2	3715 6282 00	2	Guide socket	47mm
4	3715 3614 80	1	RH jaw kit	45mm

A jaw & guide kit 44mm, A-N rot.**3719 0068 30**

Pos. No.	Part number	Quantity	Description	Remark
1	3715 9347 82	1	Chuck jaw kit	44mm
2	3719 0006 68	1	Guide socket A, N-H ROT	
3	3715 3614 80	1	RH jaw kit	45mm
4	3715 6282 00	1	Guide socket	47mm

Jaw & guide kit 45mm, A-N rot.**3719 0052 81**

Pos. No.	Part number	Quantity	Description	Remark
1	3719 0007 07	1	Chuck jaw kit	45mm
2	3715 6282 00	2	Guide socket	47mm
4	3715 3614 80	1	RH jaw kit	45mm

Jaw & guide kit 50mm, A-N rot.**3719 0052 82**

Pos. No.	Part number	Quantity	Description	Remark
1	3719 0007 08	1	Chuck jaw kit	50mm
2	3715 6283 00	2	Guide socket	50mm
4	3715 3615 80	1	RH jaw kit	50mm

B jaw & guide kit 53mm, A-N rot.**3719 0052 83**

Pos. No.	Part number	Quantity	Description	Remark
1	3719 0007 09	1	Chuck jaw kit	53mm
2	3715 6284 00	2	Guide socket	57mm
4	3715 3616 80	1	RH jaw kit	55mm

B jaw & guide kit 55mm, A-N rot.**3719 0052 84**

Pos. No.	Part number	Quantity	Description	Remark
1	3719 0007 10	1	Chuck jaw kit	55mm
2	3715 6285 00	2	Guide socket	62mm
4	3715 3616 80	1	RH jaw kit	55mm

Jaw & guide kit 64mm, A-N rot.**3719 0062 05**

Pos. No.	Part number	Quantity	Description	Remark
1	3719 0062 06	1	Chuck jaw kit	64MM
2	3719 0062 08	1	Guide socket	(64MM)
3	3719 0062 09	1	RH jaw kit	64MM
4	3719 0062 11	1	Guide socket	64MM

N Jaw & guide kit 70mm, A-N rot.**3719 0052 85**

Pos. No.	Part number	Quantity	Description	Remark
1	3719 0007 11	1	Chuck jaw kit	70mm
2	3715 8259 00	1	Guide socket	79mm
3	3715 3618 80	1	RH jaw kit	70mm
4	3719 0001 61	1	Guide socket N	(76mm)

B jaw & guide kit 54mm, N-H rot. Unit**3719 0053 81**

Pos. No.	Part number	Quantity	Description	Remark
-	3715 9347 84	1	Chuck jaw kit 54mm	DIAMEC U6 B-H
-	3719 0006 69	1	Guide socket B, N-H rotation	
-	3719 0032 00	1	Rh jaw kit 54mm (BQ)	
-	3719 0035 91	1	Guide socket B (62mm)	

N jaw & guide kit 70mm, N-H rot. Unit**3719 0053 83**

Pos. No.	Part number	Quantity	Description	Remark
	3715 9347 87	1	Chuck jaw kit 70mm	DIAMEC U6 B-H
	3719 0006 70	1	Guide socket N, N-H rotation	
	3719 0032 01	1	RH jaw kit 70mm (nq)	
	3719 0035 90	1	Guide socket N (76mm)	

H jaw & guide kit 89mm, N-H rot. Unit**3719 0053 84**

Pos. No.	Part number	Quantity	Description	Remark
-	3715 9348 81	1	Chuck jaw kit 89mm	DIAMEC U6 B-H
-	3719 0006 71	1	Guide socket H, N-H rotation	
-	3719 0032 02	1	Rh jaw kit 89mm (HQ)	
-	3719 0035 89	1	Guide socket H (96mm)	

