



Spare parts list for

Surface Drilling Machine

Christensen CS14



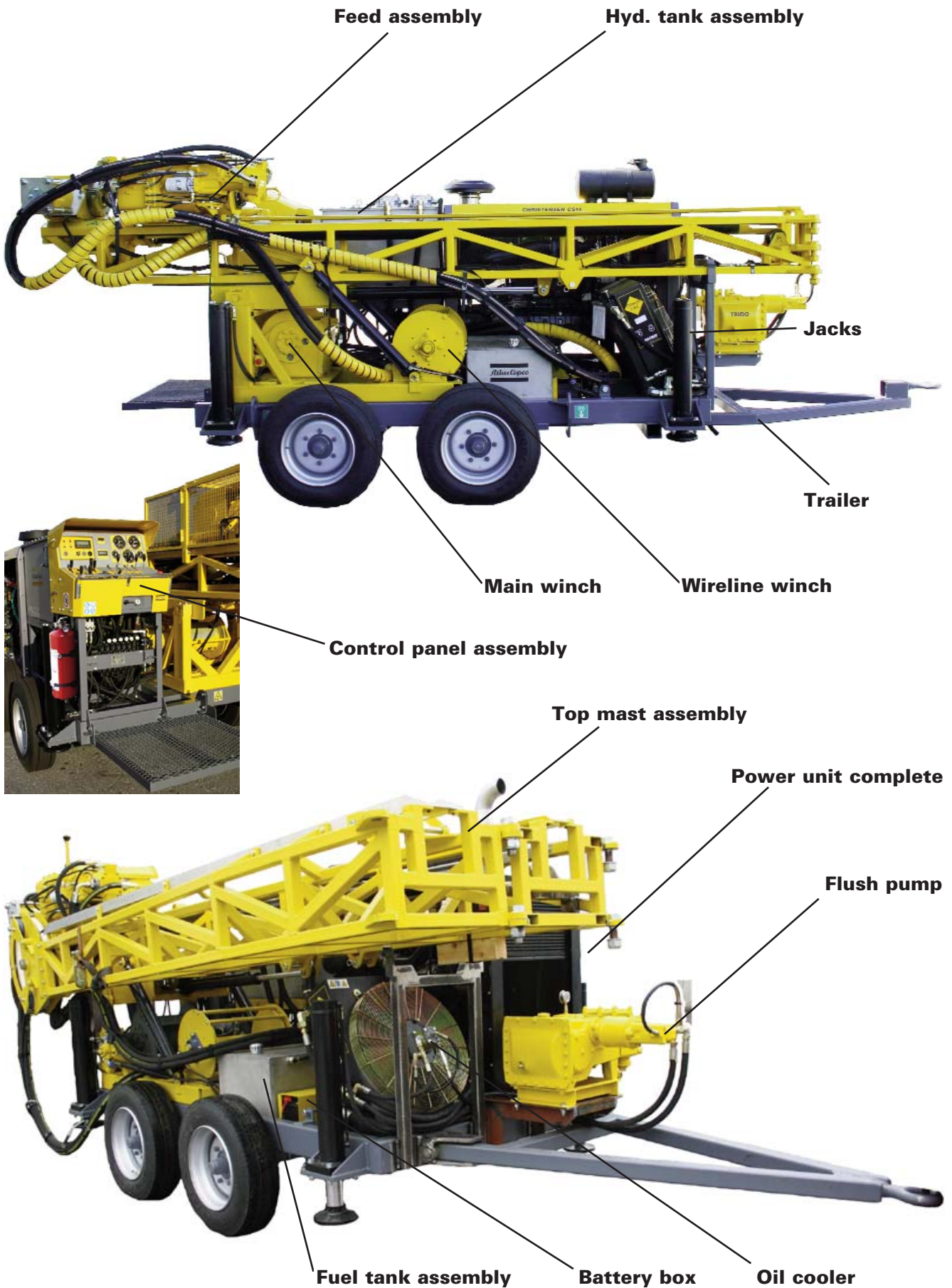
Spare parts list for

Surface Drilling Machine

Christensen CS14

ATLAS COPCO CRAELIUS AB
MÄRSTA - SWEDEN 07-12

Christensen



Christensen

	Remark	Rod Holder	Trido 140 Water/mud pump	RPM meter and Water flow meter	Cummins QSB Tier II	CAT C6.6. Tier III	CE-Marked	High altitude
CS14								
3719003401		STD	X			X		
3719003403		STD	X			X		
3719003405		STD	X	X		X		
3750053000		STD	X	X		X		X
3705090034	CE-Marked	STD	X	X		X	Yes	
3719003406		STD	X		X			
3719003407		STD	X		X			
3719003409		STD	X	X	X			
TBA	High altitude		X	X	X			X

English

To be read before ordering

1. When ordering spare parts, please state Description and part number of the spare part (not the Ref. no.) as well as drill type designation and serial number.
2. Parts which are included in a subassembly are given immediately after this part and are preceded by a dash in the description column.

Symbols that may occur:

- *) Placed instead of part number in part number column, means that the indicated part is normally not Delivered separately. Can be ordered as a kit, see point 2.
- ***) Optional
- A) When ordering, please state part number, hose dimension and length.
- B) See separate list according to the **List of contents**.

Deutsch

Vor der Ersatzteilbestellung lesen:

1. Bei der Ersatzteilbestellung bitte die Teilbenennung und die Ersatzteilnummer (10-stellig), Ausführungstyp und Seriennummer der Maschine angeben.
2. Teile, die einer Montagegruppe angehören sind unmittelbar danach aufgliedert und durch einen Strich in der Spalte "Bezeichnung" gekennzeichnet.

Verwendete Symbole:

- *) Ein Sternchen anstelle einer Teilnummer bedeutet, daß das so gekennzeichnete Teil normalerweise gesondert geliefert wird. Kann auch im Set bestellt werden, siehe Punkt 2.
- ***) Auf Sonderwunsch lieferbar.
- A) Bei Bestellung bitte Teilnummer und Schlauchgröße, -länge, -durchmesser usw. angeben!.
- B) Siehe separate Liste!.

Svenska

Läs detta innan du beställer reservdelar:

1. Ange artikelns namn och detaljnummer (inte bara Ref. nr.) och även maskinens typ- och serienummer vid beställning av reservdelar.
2. Delar som ingår i huvudartikeln nämns efter denna och föregås av ett streck i "Beskrivningskolumnen".

Teckenförklaring:

- *) Ersätter detaljnummer, vilket innebär att detaljen vanligtvis inte levereras separat utan ingår i en sats, se punkt 2.
- ***) Extra utrustning
- A) Ange detaljnummer, slangdimension och längd.
- B) Se innehållsförteckningen.

Français

Information pour la commande

1. Prière de spécifier la description et le numéro de la pièce (et non sa référence) ainsi que la designation de type et le numéro de série de la machine ou de l'unité.
2. Les pièces faisant partie d'un sous-ensemble partiel sont indiquées immédiatement après celui-ci et sont précédées d'un tiret dans la colonne de la description.

Symboles utilisés:

- *) Placé au lieu du numéro de pièce, dans la colonne du numéro de pièce, pour indiquer que la pièce n'est normalement pas livrée séparément. Voir point 2 pour savoir si la pièce est également livrée en kit.
- ***) Option.
- A) Lors de la commande, prière de spécifier le numéro de pièce ainsi que la longueur et les dimensions du flexible.
- B) Voir a liste séparée selon Sommaire.

Considerar antes de hacer un pedido

1. Al solicitar piezas de repuesto, sirvase indicar la designación y el número de la pieza (No su número de referencia) así como el tipo de máquina y número de serie.
2. Las piezas que forman parte de un subconjunto vienen relacionadas inmediatamente después del subconjunto y vienen precedidas de un guión.

Indicacion de los símbolos:

- *) Colocados en lugar número de la pieza significa que la pieza indicada no se suministra separadamente. Se puede pedir como parte de juego. Ver punto 2 arriba.
- ***) Opcional
- A) Cuando efectúe el pedido, indicar la designación de la pieza y el diámetro de la manguera, longitud, etc.
- B) Ver en lista a parte de acuerdo con la relación de contenido.

Leggere prima di ordinare:

1. Quando ordinate un ricambio, per favore indichi "Description", "part number" ma non il "Ref. no." e, possibilmente, modello e numero di serie della macchina.
2. I ricambi che sono inclusi in un sottoinsieme sono elencati immediatamente dopo questa parte e sono preceduti da un trattino nella colonna "Description".

Simbolo utilizzati:

- *) Collocato, in sostituzione del "part number" nell'apposita colonna indica che quel ricambio normalmente non è consegnabile separatamente. Può essere ordinato solo in un kit, vedi punto 2.
- ***) Accessorio
- A) Trattandosi di flessibili idraulici, preghiamo specificare, oltre al "part number", anche dimensioni e lunghezza.
- B. Consultare la lista specifica facendo riferimento all'indice.

Leia antes de encomendar

1. Quando efectuar um pedido de peças, indique a sua designação e o número da peça (e não a sua referência) bem como o tipo de máquina a que se destinam e o seu número de série.
2. As peças que fazem parte de um conjunto são indicadas imediatamente após esse conjunto e são precedidas por um traço, na coluna à sua descrição.

Símbolos utilizados:

- *) Colocado na coluna das referências significa que a peça não é fornecida separadamente. A peça deverá fazer parte de um conjunto. Leia ponto 2.
- ***) Opcional.
- A) Quando efectuar o pedido, indique a designação da peça e o diâmetro da mangueira, comprimento.
- B) Consulte a lista em anexo, conforme mencionado no conteúdo.

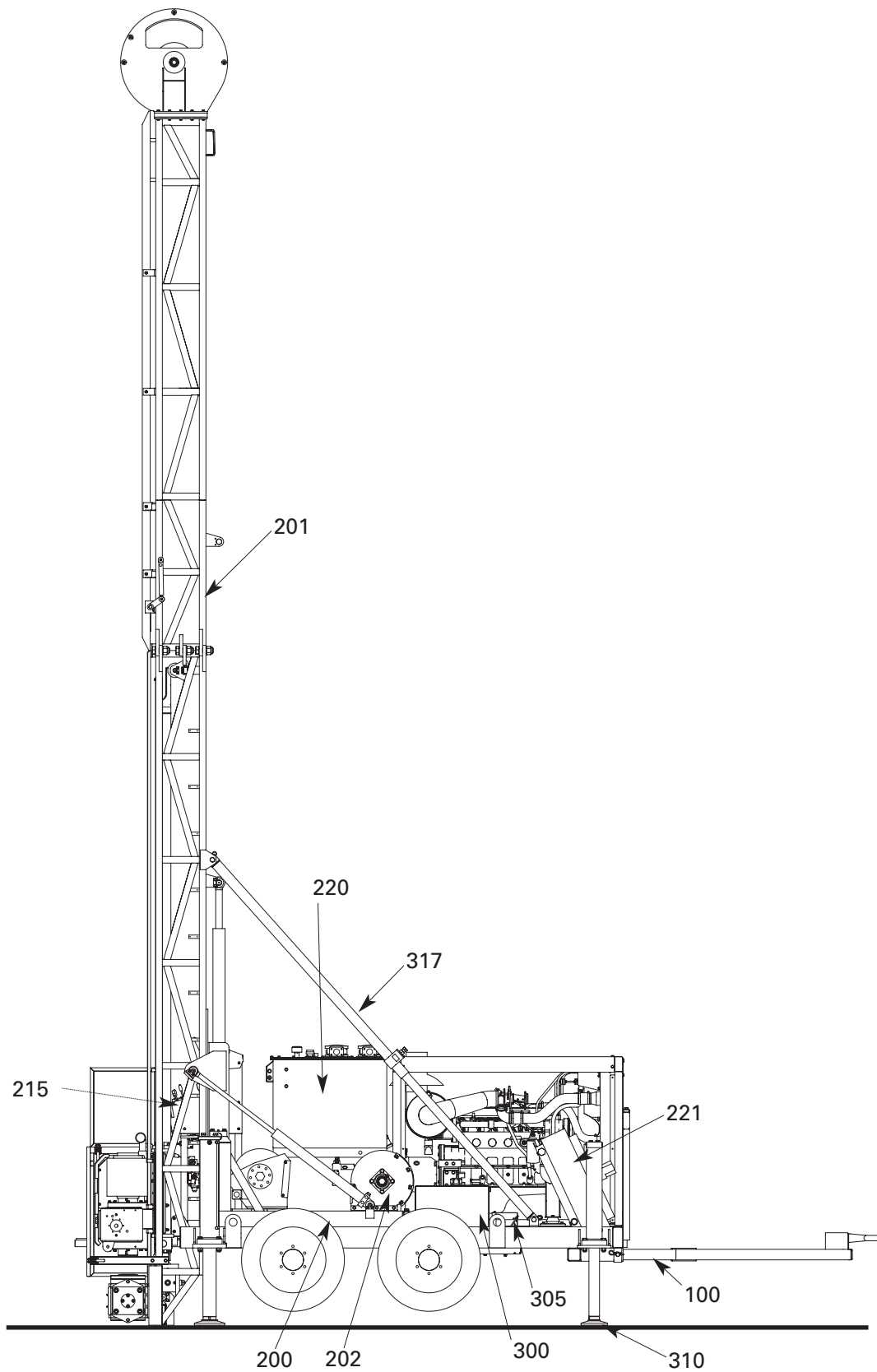
Contents	Art.nr	Page
CS 14	3719 0034 00	10
Trailer	3719 0025 62	12
Support Jacks	3719 0029 28	14
Cylinder 125-100x550	3719 0025 73	16
Cylinder 100-80x550	3719 0025 74	17
Frame assembly	3719 0025 94	18
Frame assembly (Fittings)	3719 0025 94	20
Main winch	3719 0040 04	22
Main winch, sprag clutch assembly	3719 0046 40	24
Main winch, primary planet carrier assembly	3719 0046 41	26
Main winch, planet carrier assy	3719 0046 42	28
Main winch, brake cyl assembly - 4 bolt C	3719 0046 44	30
Tension roller parts assembly	3719 0040 21	32
Main winch, hydraulic motor	3719 0046 72	34
Wire line	3719 0021 34	36
Raise cylinder	3719 0025 27	38
Mast dump cylinder	3719 0025 30	40
Support leg	3719 0030 20	42
Feed assembly	3719 0025 97	44
Feed assembly (Fittings)	3719 0025 97	46
Feed cylinder	3719 0025 03	48
Feed assembly, top mast	3719 0025 17	50
Hydraulic cylinder, "Rod kicker"	3719 0029 34	52
Guard	3719 0031 08	54
Cradle	3719 0021 12	56
Crown block	3719 0025 33	58
Crown block - CE	3719 0031 70	60
Rod holder assembly	3719 0029 50	62
Rod holder insert	3719 0020 51	64
Rotation Unit	3719 0040 93	66
Rotation Unit, mounting parts	3760 0045 96	68
Rotation Unit	3760 0043 08	70
Rotation Unit - Lubrication system	3760 0046 44	72
Rotation Unit - Chuck Assembly	74
Rotation Unit - Drill head "P"	76
Rotation Unit - Transmission	78
Control panel	3719 0025 70	82
Control panel, (Fitting kit)	3719 0025 70	86
Hyd. Tank / Behälter	3719 0025 96	108
Hyd. Tank / Behälter (Fittings)	3719 0025 96	110
Fuel tank / Behälter	3719 0025 95	114
Power unit / Kraftaggregat, CAT Caterpillar + Rexroth pumps	3719 0034 60	116
Power unit / Kraftaggregat, CAT Caterpillar + Parker pumps	3719 0040 44	118
Power unit / Kraftaggregat, CAT Caterpillar	3719 0034 56	120
Power unit / Kraftaggregat, Air/Oil cooler / Ölkühler (Fittings)	3719 0029 27	122
Electrical wiring diagram	3719 0031 94	126

Contents	Art.nr	Page
Power unit / Kraftaggregat, Cummins + Rexroth	3719 0025 98	138
Power unit / Kraftaggregat, Cummins + Parker pumps.	3719 0040 45	140
Power unit / Kraftaggregat, Cummins	3719 0025 04	142
Power unit / Kraftaggregat, Cummins	3719 0035 95	144
Electrical wiring diagram.	3719 0029 63	146
Hydraulicpump / Seal kit		
Hydraulic Diagram CS14	9844 0008 46	154
Flush pump / Spülpump.	3719 0031 25	158
Flush pump / Spülpump	8492 0208 16	160
Safety valve / Sicherheitsventil.	3715 7643 80	162
Flow meter kit	3719 0031 39	164
Pressure meter / Druck messer/.	3716 5655 80	166
Mud Mixer	3760 0046 06	168
Mud MixerAssembly	3760 0046 07	170
Spare parts proposal CS/CT 14.		172

CS 14

Bormaskin/ Drill rig / Diamantkernbohrgerät / Equipo de sondaje diamantino / Timanttikairauslaite

3719 0034 00



CS 14

Borrmaskin/ Drill rig / Diamantkernbohrgerät / Equipo de sondaje diamantino / Timanttikairauslaite

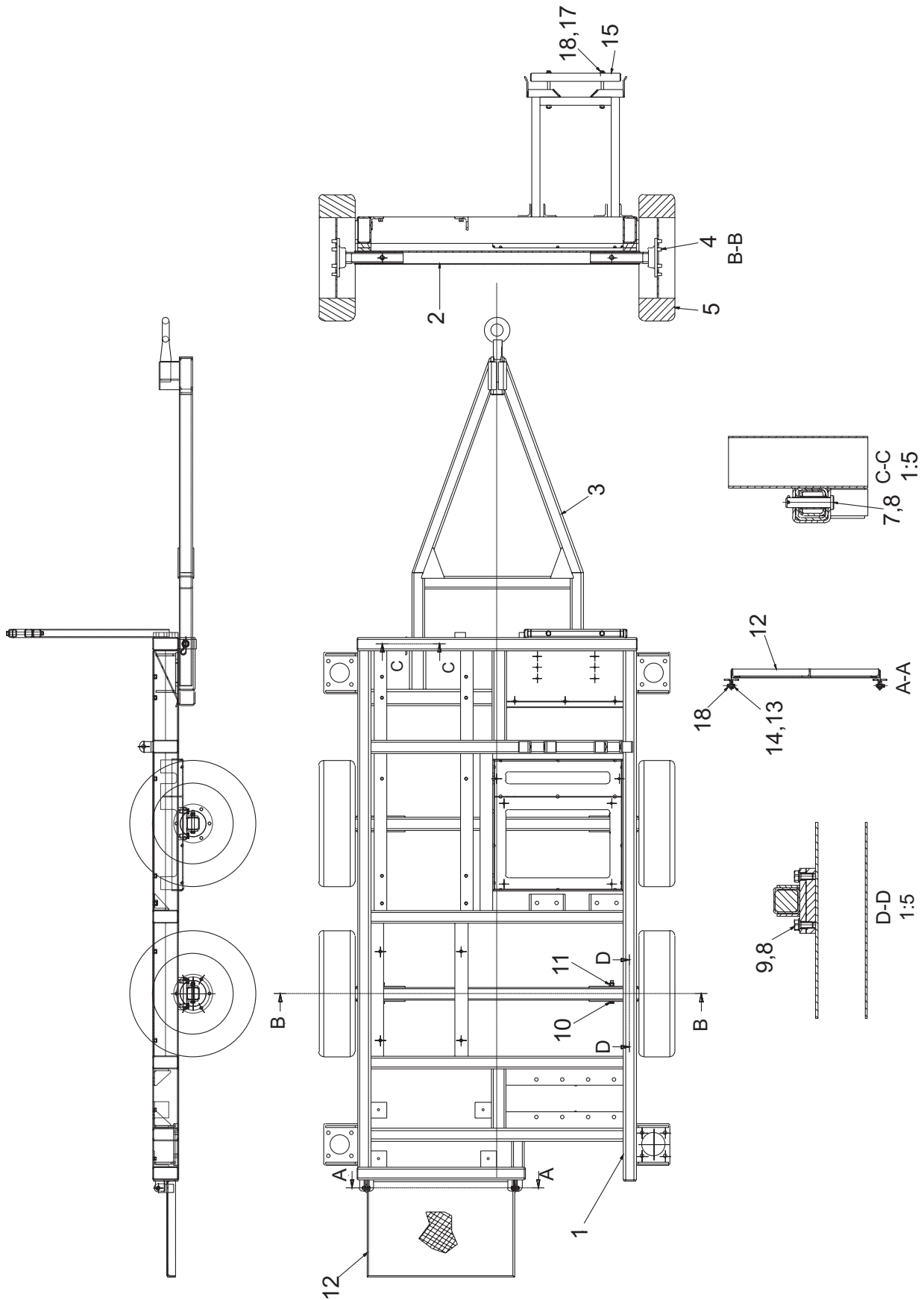
3719 0034 00

Ref. No.	Part No.	Qty.	Description	Notes
100	3719 0025 62	1	TRAILER	(B)
200	3719 0025 94	1	FRAME ASSEMBLY.....	(B)
201	3719 0025 97	1	FEED ASSY	(B)
202	3719 0021 34	1	WIRE LINE HOIST.....	(B)
215	3719 0025 70	1	CONTROL PANEL	(B)
220	3719 0025 96	1	HYDRAULIC TANK ASSEMBLY	(B)
221	3719 0029 27	1	OIL COOLER KIT.....	(B)
300	3719 0025 95	1	FUEL TANK ASSEMBLY	(B)
305	3719 0021 98	1	BATTERY BOX COMPLETE	
310	3719 0029 28	1	JACKS KIT.....	(B)
316	3719 0030 79	1	SIGN KIT	
317	3719 0030 20	2	SUPPORT LEGS	(B)
400	3719 0031 55	1	DECAL KIT.....	
590	3719 0029 22	1	WIRE.....	MAIN HOIST,Dia.16mm
591	3716 2761 00	8	HOSE PROTECTION.....	75MM. L=1000 mm
592	3115 0212 00	20	HOSE BAND.....	L= 1100 mm
990	3719 0030 86	1	FINAL ASSY HOSE KIT	(B)

Trailer

Släp / Trailer / Anhaenger / Remolque / Rimorchio / Reboque

3719 0025 62



Trailer

Släp / Trailer / Anhaenger / Remolque / Rimorchio / Reboque

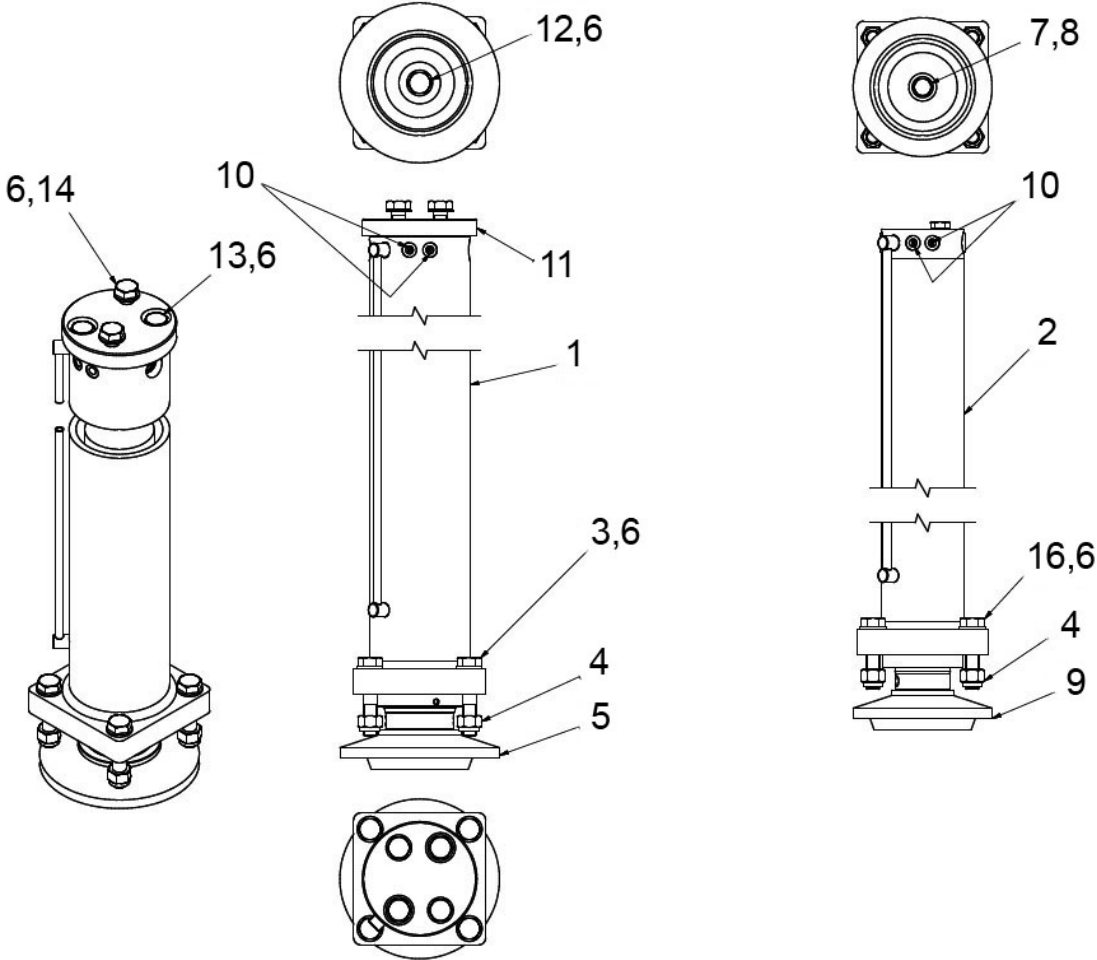
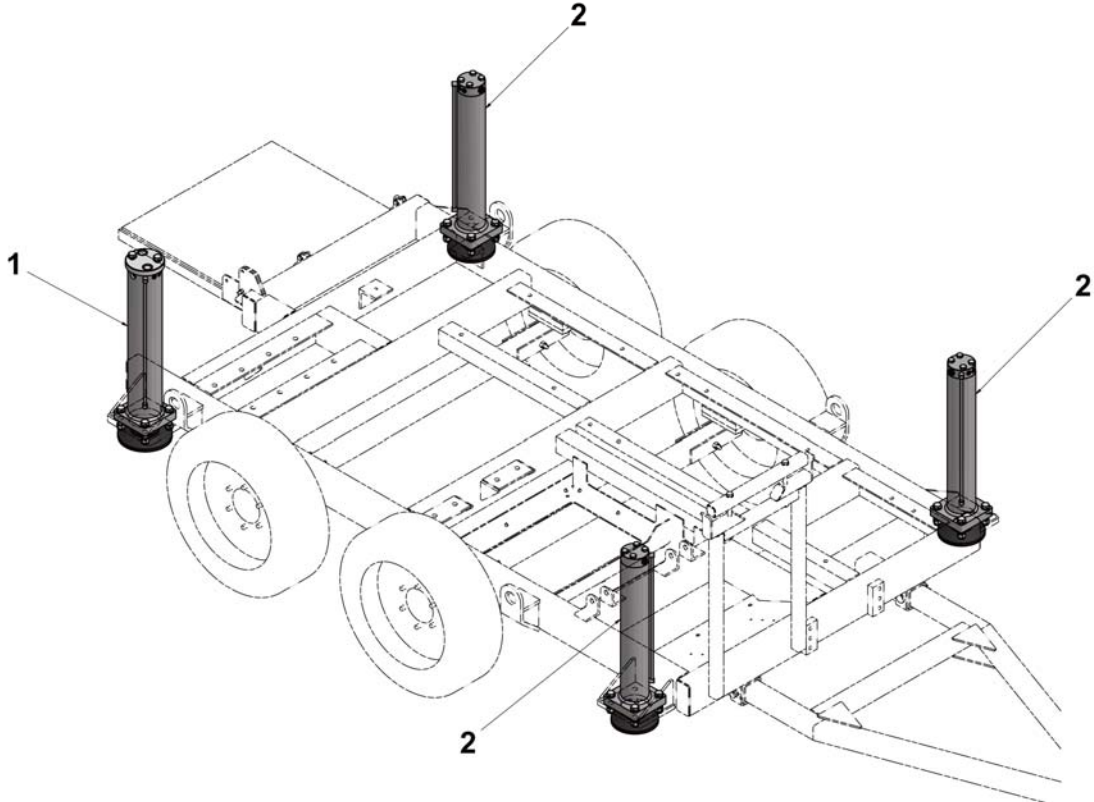
3719 0025 62

Ref. No.	Part No.	Qty.	Description	Notes
1	3719 0025 13	1	BASE TRAILER.....	
2	3719 0025 59	2	PIPE SHAFT.....	
3	3719 0025 14	1	HOOK	
4	3719 0025 60	4	WHEEL HUB	
5	3719 0009 98	4	WHEEL	
6	0113 4615 26	2	CLEVIS PIN	D30 L140 A1
7	0111 1686 09	2	COTTER PIN	6mm SHAFT 30 mm
8	0147 1550 03	8	SCREW	M6S M20 x 45 FZB
9	0300 0274 13	8	PLAIN WASHER.....	BRB 21 x 37 x 3 ISO 7089
10	0147 1493 03	4	SCREW	M6S 16 x 130 8.8 FZB
11	0291 1114 00	4	LOCK NUT.....	M16 FZB M16 LM6M DIN 985-6 FZB
12	3719 0025 63	1	WORKING PLATFORM	
13	0147 1405 03	4	SCREW	M6S 12 x 50
14	0301 2358 00	4	WASHER	12 BRB 13 x 24 x 2.5
15	3719 0029 54	1	BAR	
16	0147 1500 12	2	SCREW	M6S M16 X 220 8.8 FZB
17	0301 2378 00	2	WASHER	16 BRB 17 x 30 x 3
18	0291 1128 22	4	LOCK NUT.....	M12

Support Jacks

Domkraner / Stützheber

3719 0029 28



Support Jacks

Domkrafte / Stützheber

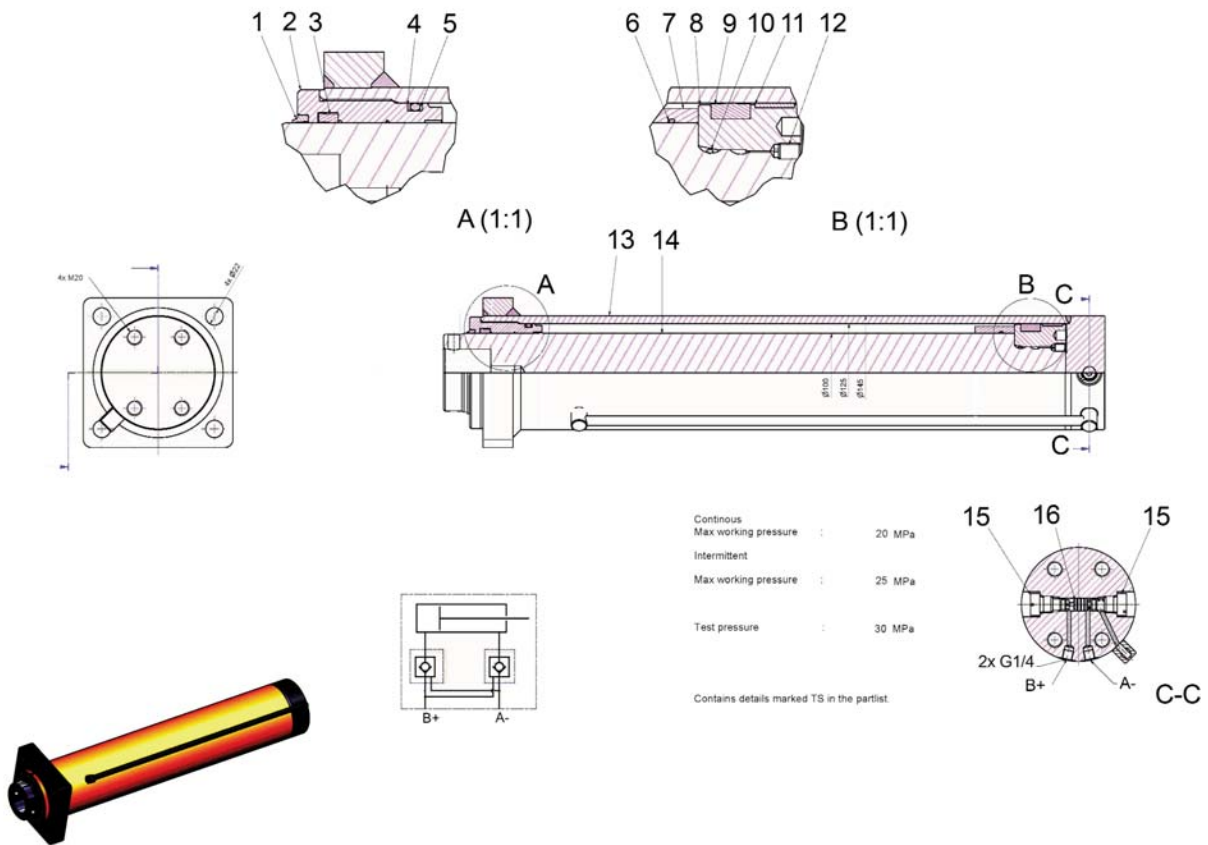
3719 0029 28

Ref. No.	Part No.	Qty.	Description	Notes
1	3719 0025 74	3	JACKS	100x80x550, L=833 mm
2	3719 0025 73	1	JACKS	125x100x550 , L=840 mm
3	0147 1561 03	4	SCREW	M6S 20 x 100 8.8 FZB
4	0291 1116 00	16	LOCK NUT.....	M20 LM6M
5	9110 8968 00	1	FOOT	BSJ12
6	0300 0274 13	21	PLAIN WASHER.....	BRB 21 x 37 x 3 ISO 7089
7	0147 1489 03	3	SCREW	M6S 16 x 100 FZB 8.8
8	0301 2378 00	3	WASHER	BRB 17 x 30 x 3
9	9110 8967 00	3	FOOT	BSJ (10-40, 10-55)
10	3176 6351 00	8	ELBOW	R 1/4 x UN 9/16-18
11	3719 0031 37	1	DISTANCE.....	
12	0147 1564 03	1	SCREW	M6S 20 x 120 8.8 FZB
13	0147 1547 03	2	SCREW	M6S 20 x 30 8.8 FZB
14	0147 1553 03	2	SCREW	M6S M20 x 60 FZB
15	0147 1474 03	12	SCREW	M6S 16 x 25 8.8 FZB
16	0147 1559 03	12	SCREW	M6S 20 x 90

Cylinder 125-100x550

Hydraulic cylinder / Hydraulik cylinder

3719 0025 73



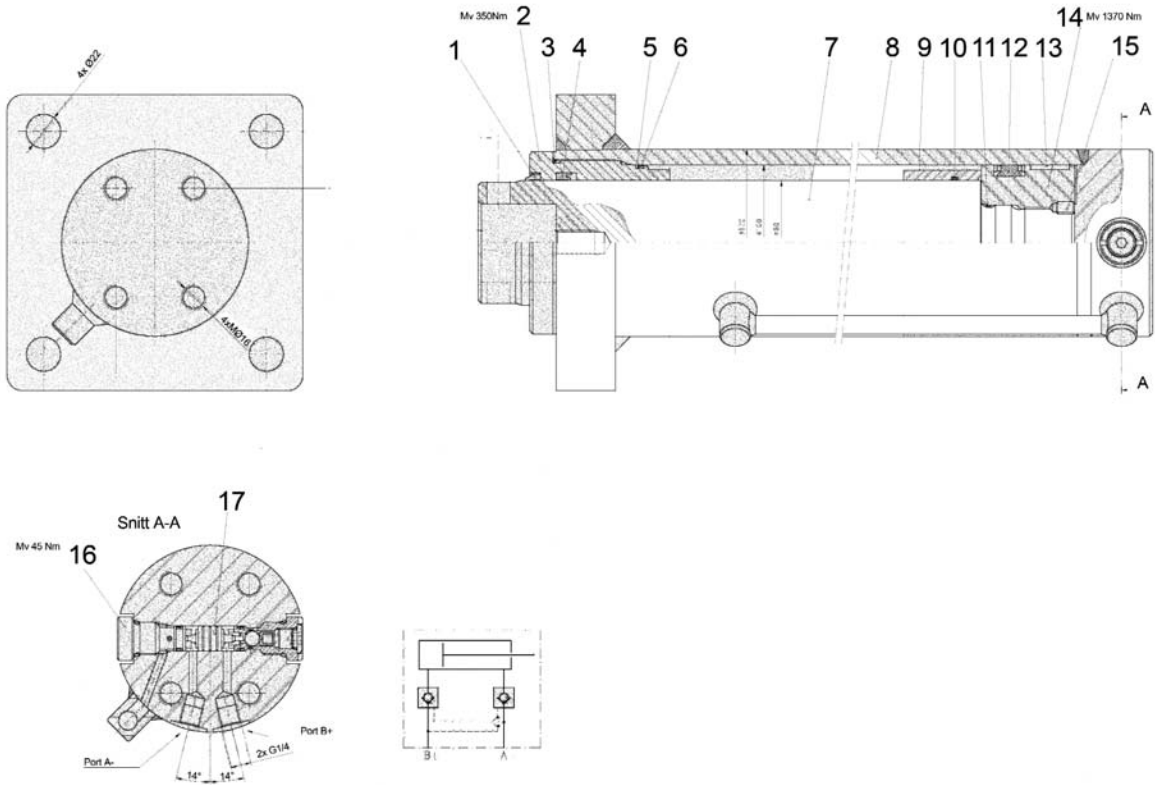
Ref. No.	Part No.	Qty.	Description	Notes
1	TS	1	WIPER	
2	-	1	A-COVER.....	Mv 600 Nm
3	TS	1	PISTON SEAL.....	
4	TS	1	SUPPORT RING	
5	TS	1	O-RING.....	
6	TS	1	O-RING.....	
7	-	1	SPACER	
8	-	1	PISTON	Mv 2000 Nm
9	TS	1	PISTON SEAL.....	
10	TS	1	O-RING.....	
11	TS	1	GUIDE RING	
12	-	1	SCREW.....	
13	-	1	CASING.....	
14	-	1	PISTON ROD	
15	3128 2099 55	2	VALVE.....	Mv 45 Nm
16	-	1	PISTON	

TS = Seal kit cylinder 9121 5987 50

Cylinder 100-80x550

Hydraulic cylinder / Hydraulik cylinder

3719 0025 74



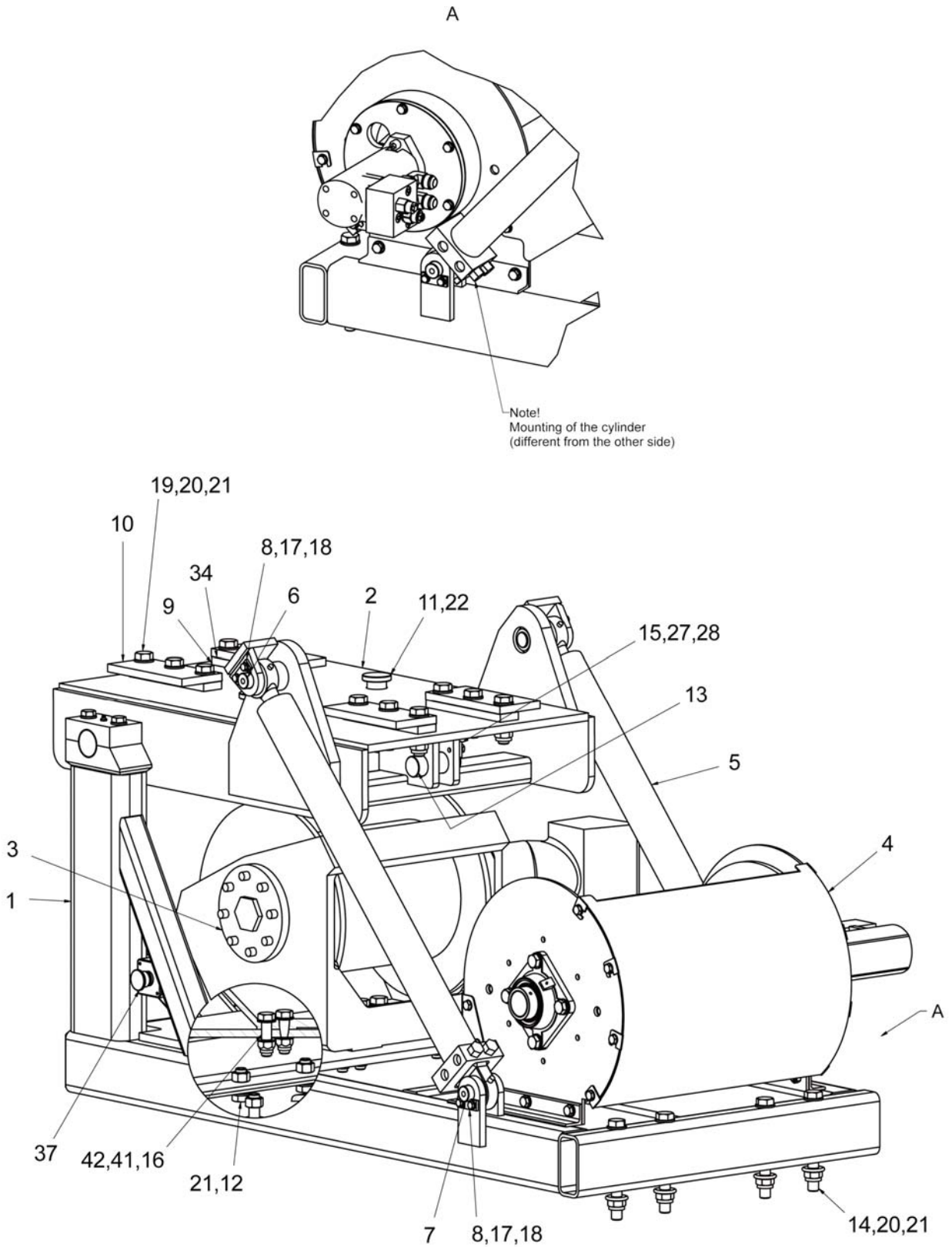
Ref. No.	Part No.	Qty.	Description	Notes
1	TS	1	WIPER	
2	-	1	A-COVER.....	Mv 350 Nm
3	TS	1	O-RING.....	
4	TS	1	PISTON SEAL.....	
5	TS	1	SUPPORT RING	
6	TS	1	O-RING.....	
7	TS	1	PISTON ROD	
8	-	1	CASING.....	
9	-	1	SPACER	
10	TS	1	O-RING.....	
11	TS	1	O-RING.....	
12	TS	1	PISTON SEAL.....	
13	-	1	GUIDE RING	
14	-	1	PISTON	MV 1370 Nm
15	TS	1	SCREW.....	
16	3128 2099 55	2	VALVE	Mv 45 Nm
17	-	1	PISTON	

TS = Seal kit cylinder 9121 5913 50

Frame assembly

Wirelinespel / Treuil pour carottiers à câble / Cabrestante wire line Argano/ Guincho de "wire line"

3719 0025 94



Frame assembly

Wirelinespel / Treuil pour carottiers à câble / Cabrestante wire line Argano/ Guincho de "wire line"

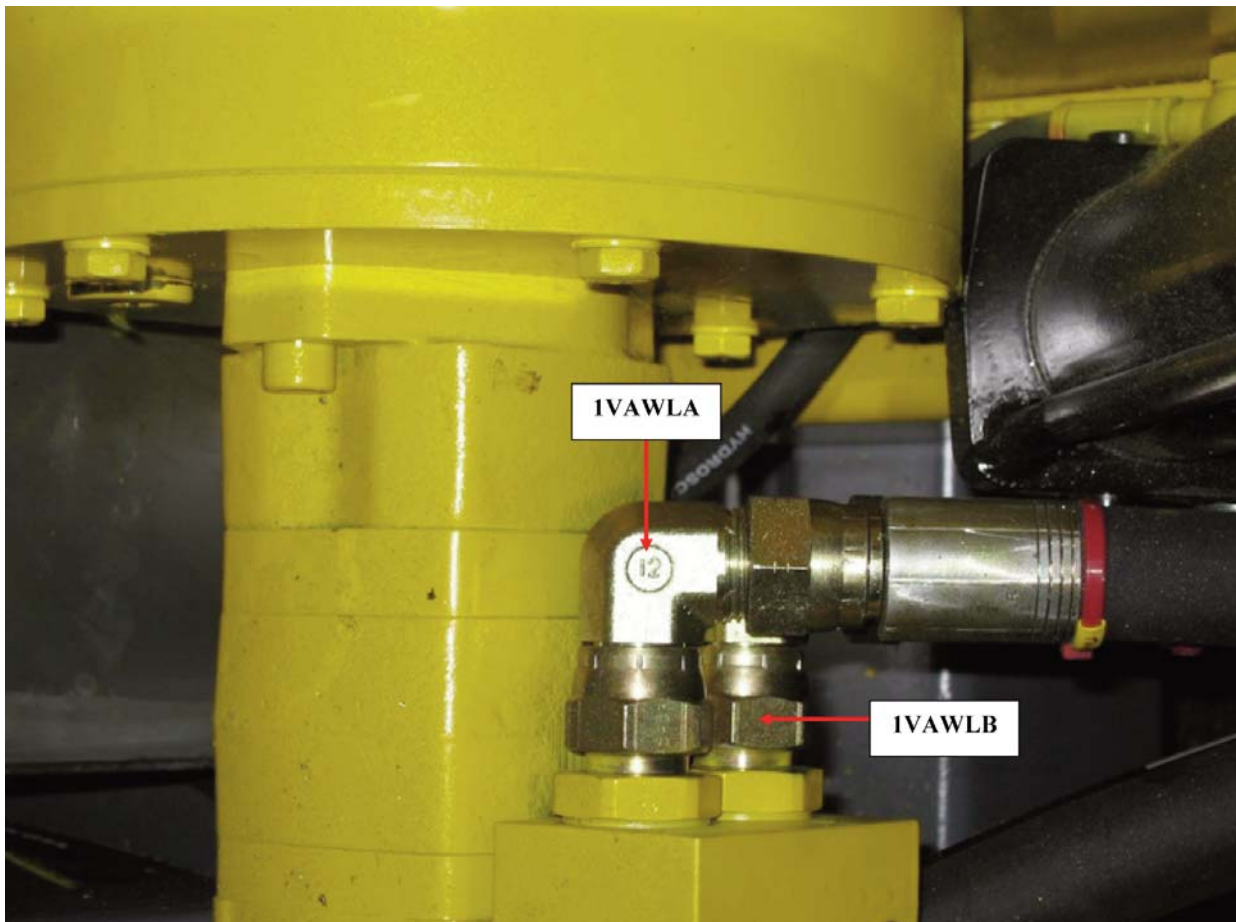
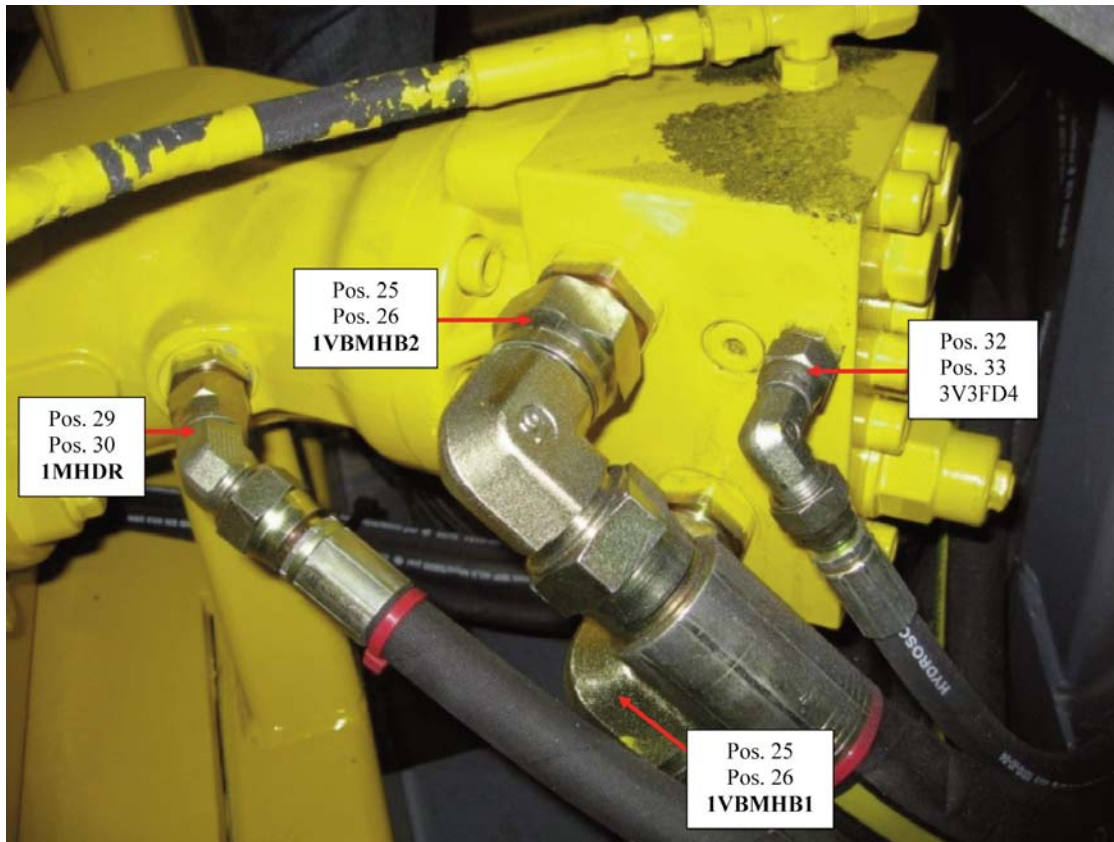
3719 0025 94

Ref. No.	Part No.	Qty.	Description	Notes
-	3719 0029 12	1	HOSE KIT FRAME	
1	3719 0021 21	1	FRAME	
2	3719 0021 20	1	MAST DUMP	
3	3719 0040 04	1	MAIN HOIST	(B) 18000 lb , P.O 3719002501
4	3719 0021 34	1	WIRE LINE HOIST	(B)
5	3719 0025 27	2	MAST RAISE CYLINDER.....	(B)
6	3719 0025 76	2	SHAFT	
7	3719 0025 88	2	SHAFT	
8	3719 0025 87	4	KEY PLATE.....	
9	3719 0021 25	4	SLIDER SUPPORT	
10	3719 0021 26	4	SLIDER CLAMP	
11	3719 0025 50	2	PIN	
12	0147 1551 03	8	SCREW	M6S 20 x 50 8.8 FZB
13	3719 0029 31	1	SHAFT	
14	0147 1569 03	4	SCREW	M6S M20 x 180
15	3719 0025 47	1	KEY PLATE	
16	5540 2236 00	8	SCREW	UNC 3/4 L=76
17	0147 1322 03	8	SCREW.....	M8x16 FZB M6S 8 x 16
18	0301 2335 00	8	WASHER	8 BRB 8.4 x 16 x 1.6 SS
19	0147 1557 03	12	SCREW.....	M6S M20 x 80
20	0291 1128 29	16	LOCK NUT	6MF M20 FZB ISO 7043, OR DIN 6926
21	0300 0274 13	24	PLAIN WASHER.....	BRB 21 x 37 x 3 ISO 7089
22	3137 1484 05	2	PIN	5MM AXEL 25-35 HNS
23	3719 0025 30	1	MAST DUMP CYLINDER	(B)
27	0147 1360 03	2	SCREW	M10x20 FZB M6S 10 x 20
28	0301 2344 00	2	WASHER	10 BRB 10.5 x 20 x 2
34	3719 0029 62	12	DISTANCE	
36	3176 6352 00	2	ELBOW	R 3/8" x UN 9/16"
37	3716 5564 00	1	EMERGENCY STOP.....	
41	0301 2588 00	16	WASHER	BRB 19 x 34 x 3 FZB
42	0292 1311 00	8	LOCK NUT	3/4-10 UNC STÅL 8 FZB

Frame assembly (Fittings)

Wirelinespel / Treuil pour carottiers à câble / Cabrestante wire line Argano/ Guincho de "wire line"

3719 0025 94

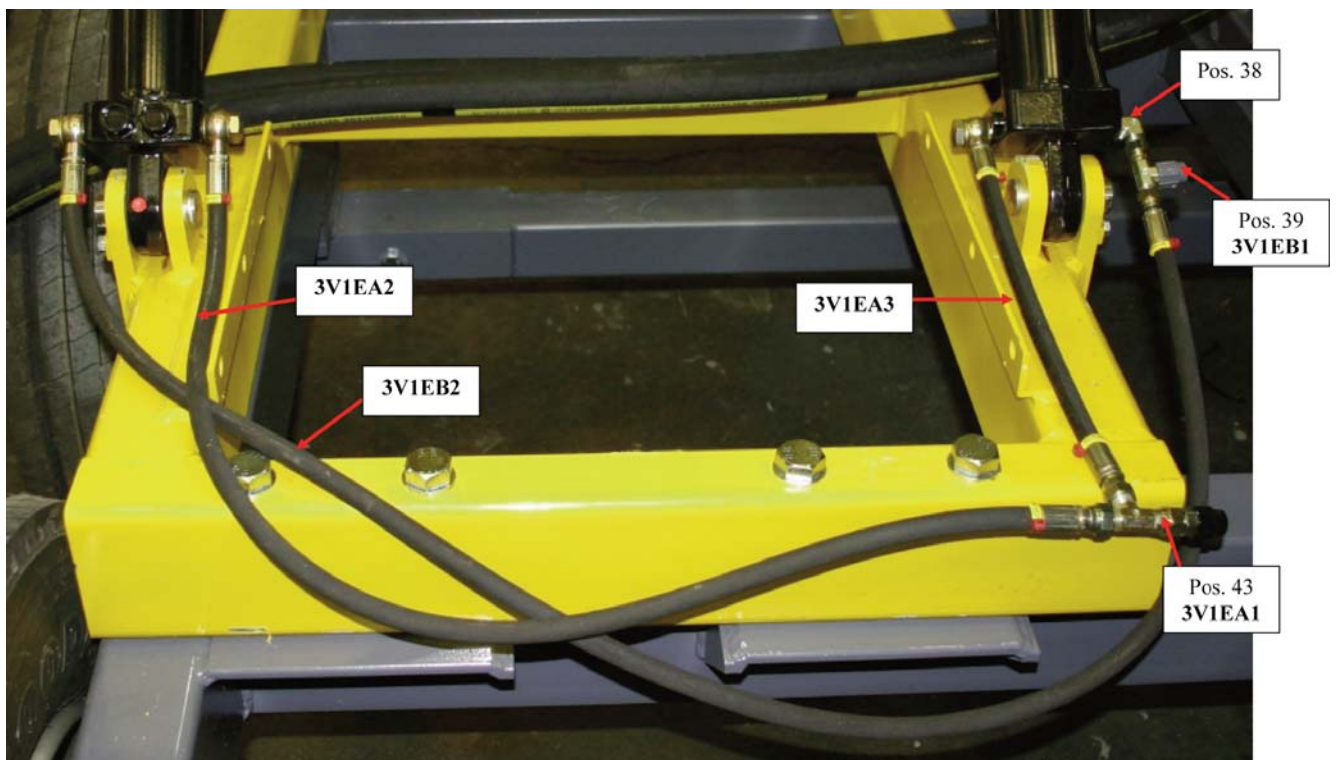


Frame assembly (Fittings)

Wirelinespel / Treuil pour carottiers à câble / Cabrestante wire line Argano/ Guincho de "wire line"

3719 0025 94

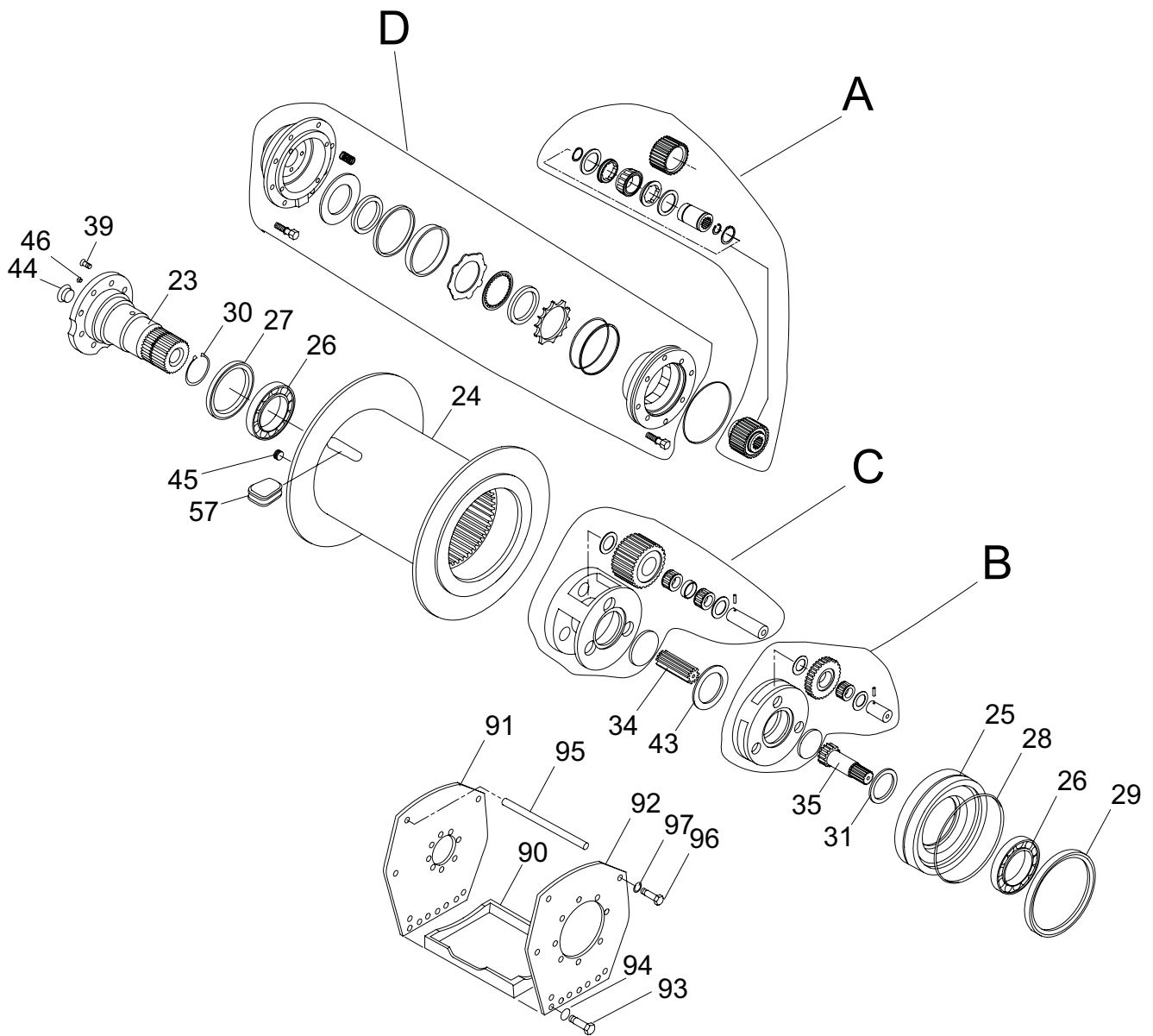
Ref. No.	Part No.	Qty.	Description	Notes
25	3176 6536 00	2	NIPPLE	1 5/16"UN x 1 1/16"UN
26	3176 6039 00	2	ELBOW	UN 1 5/16"-12
29	3176 1586 00	1	NIPPLE	7/8"-14x7/8"-14
30	3176 6549 00	1	ELBOW	45 UN 7/8-UN 7/8
32	3715 0584 00	1	ELBOW	UN 9/16xUN 9/16
33	3716 1581 00	1	NIPPLE	7/16-20UN X9/16-18UN
38	3176 6349 00	1	NIPPLE	R 3/8" x UN 9/16
39	3176 5428 00	2	TEE	UN 9/16" x UN 9/16"
43	3176 3555 00	1	T-NIPPLE	9/16" UN



Main winch

Vajerspel / wire line /

3719 0040 04



Main winch

Vajerspel / wire line /

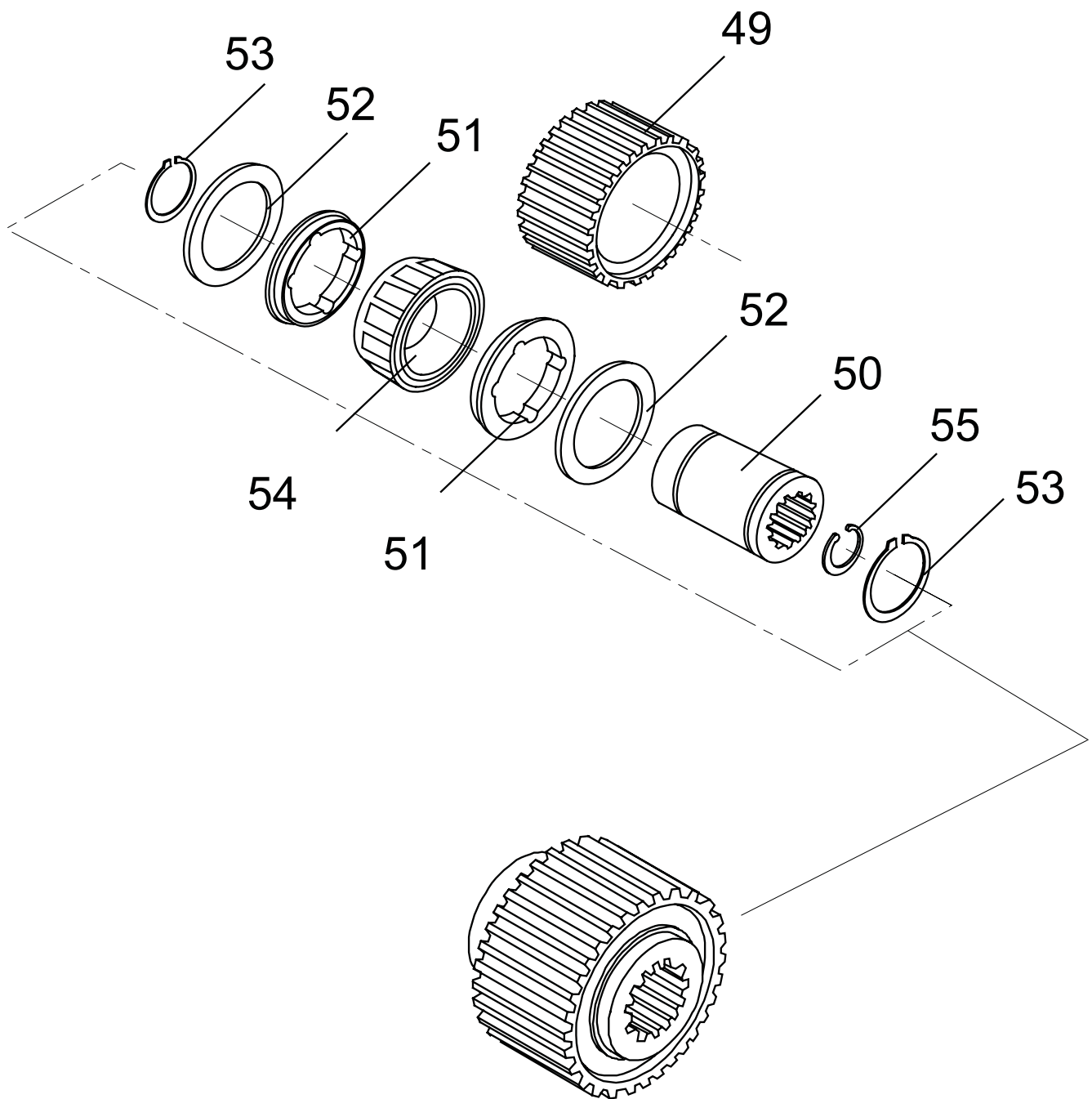
3719 0040 04

Ref. No.	Part No.	Cross ref No.	Qty.	Description	Notes
A	3719 0046 40	81776	1	SPRAG CLUTCH ASSY-C SHAFT UWCD	(B)
B	3719 0046 41	82342	1	PRIMARY PLANET CARRIER ASSY	(B)
C	3719 0046 42	81845	1	PLANET CARRIER ASSY	(B)
D	3719 0046 44	82266	1	BRAKE CYLINDER ASSY-4 BOLT C	(B)
-	3719 0040 21		1	TENSION ROLLER PARTS ASSEMBLY	(B)
-	3719 0046 72		1	HYD MOTOR GROUP PM	(B)
23		106459	1	BEARING SUPPORT	
24		26464	1	CABLE DRUM	
25		27866	1	CABLE DRUM CLOSURE	
26	3719 0046 68		2	BALL BEARING	
27		24109	1	OIL SEAL	
28		76208	1	O-RING	
29		22818	1	SEAL-OIL	
30		70575	1	RETAINING RING, EXTERNAL	
31		40128	1	THRUST WASHER	
34		100854	1	OUTPUT SUN GEAR	
35		26479	1	PRIMARY SUN GEAR	
43		40129	1	THRUST WASHER	
44	3719 0046 69		1	SIGHT GAUGE	
45	3719 0046 70		1	PLUG, O-RING FLUSH	
46	3719 0046 71		1	RELIEF VALVE 7.5-15 PSI	
57	3719 0029 48		1	CABLE WEDGE	
90		106526	1	BASE	
91		106521	1	SIDEPLATE, SUPPORT	
92		106520	1	SIDEPLATE, MOTOR	
93		103314	16	CAP SCREW	
94		12781	16	LOCKWASHER	
95		26223	2	SPACER	
96		13913	4	CAP SCREW	
97		11026	4	LOCK WASHER	
-	3719 0040 25	61715	1	UNIVERSEL SEAL K.PD12C & PD15B	
		24109	1	OIL SEAL	
		21033	1	O-RING	
		22818	1	SEAL-OIL	
		10330	1	O-RING	
		25642	1	SEAL	
		24981	1	O-RING	
		25643	1	BACK-UP RING	
		13838	1	O-RING	
		12465	2	O-RING	
		25366	2	O-RING	
		78312	2	O-RING	
		22586	1	O-RING	
		26754	1	SEAL KIT NOTE	
		21150	1	O-RING	
		21063	1	O-RING	
		76208	1	O-RING	
		23950	1	O-RING	
		24186	1	O-RING	
		72117	1	O-RING	
-	3719 0029 22		1	MAIN HOIST CABLE	

Main winch, sprag clutch assembly

Vajerspel / wire line /

3719 0046 40



Main winch, sprag clutch assembly

Vajerspel / wire line /

3719 0046 40

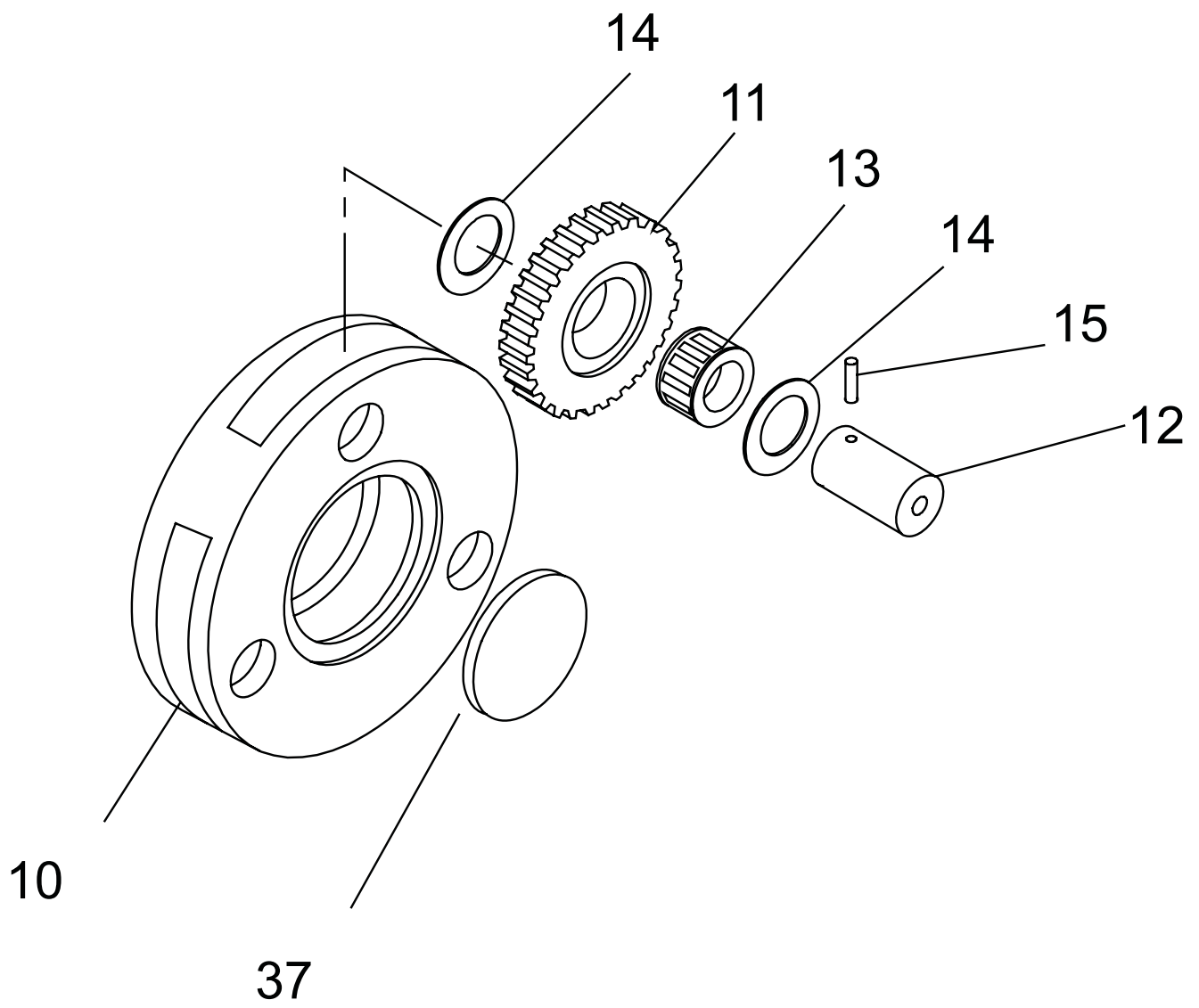
Ref. No.	Part No.	Cross ref No.	Qty.	Description	Notes
	54	NSS	1	SPRAG CLUTCH	
	49	NSS	1	OUTER BRAKE RACE	
	50	NSS	1	INNER BRAKE RACE	
*	51	3719 0046 55	2	SPRAG, BEARING	
*	52	3719 0046 56	2	THRUST, BEARING	
*	53	3719 0046 57	2	SNAP RING	
*	55	3719 0046 58	1	RETAINING RING	

* Included in 3719 0046 40

Main winch, primary planet carrier assembly

Vajerspel / wire line /

3719 0046 41



Main winch, primary planet carrier assembly

Vajerspel / wire line /

3719 0046 41

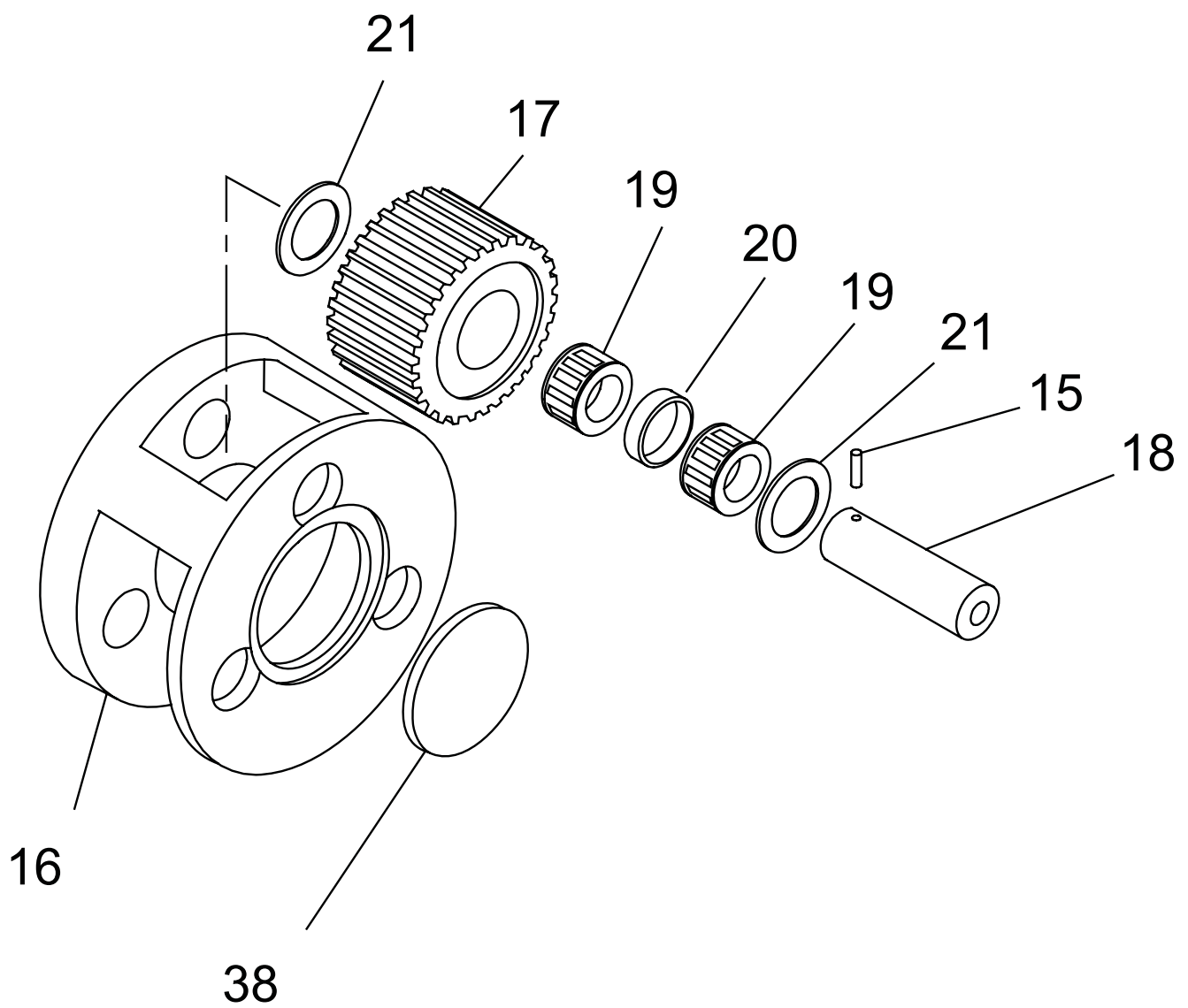
Ref. No.	Part No.	Cross ref No.	Qty.	Description	Notes
10		100852	1	PRIMARY PLANET CARRIER	
11		26466	3	PRIMARY PLANET GEAR	
12		25614	3	PRIMARY PLANET GEAR SHAFT	
* 13	3719 0046 53	24175	3	ROLLER BEARING	
14		25361	6	BEARING RACE	
* 15	3719 0046 54	24113	3	SPIROL PIN	
37		25729	1	PRIMARY SPACER	

* Included in 3719 0046 41

Main winch, planet carrier assy

Vajerspel / wire line /

3719 0046 42



Main winch, planet carrier assy

Vajerspel / wire line /

3719 0046 42

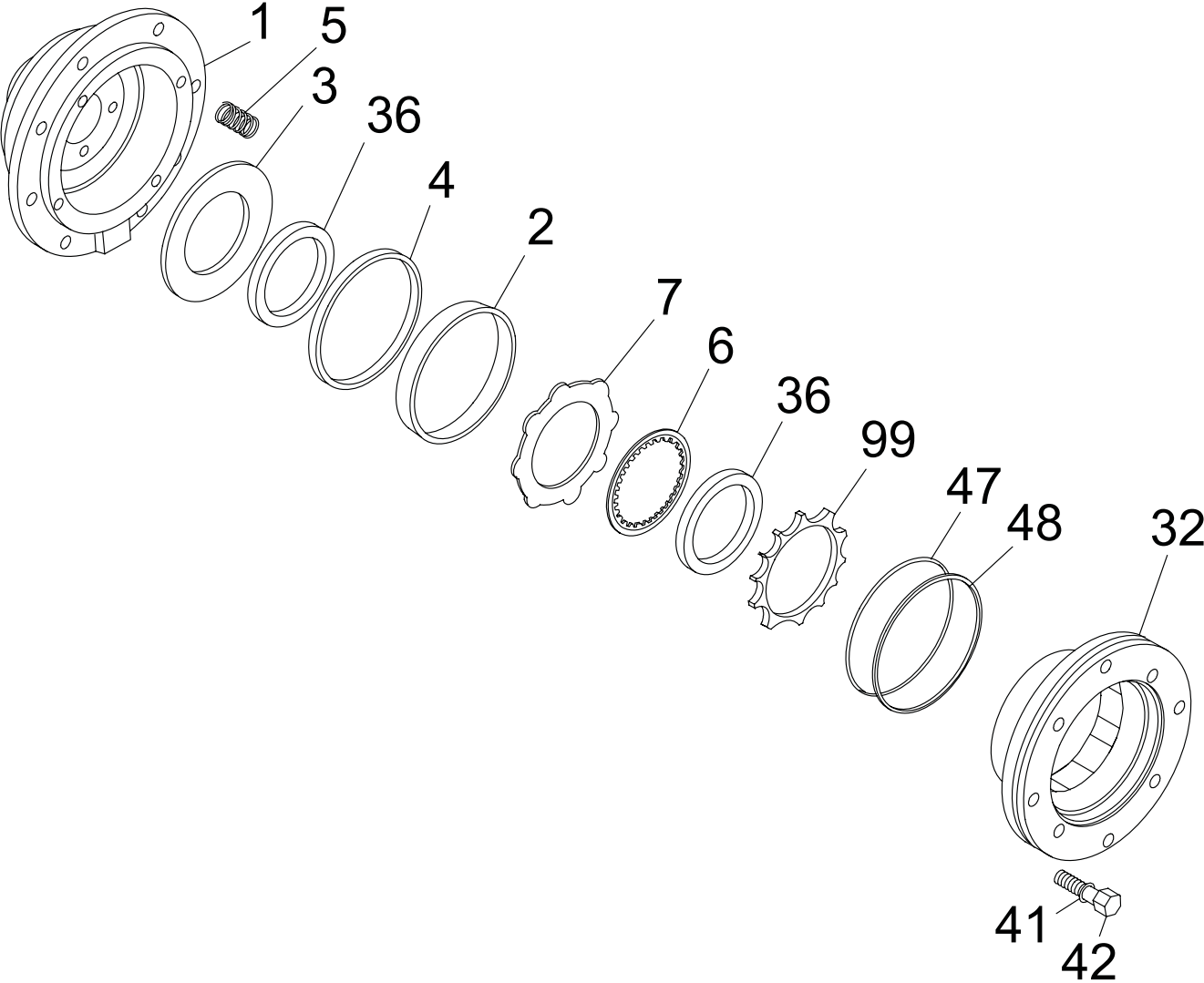
Ref. No.	Part No.	Cross ref No.	Qty.	Description	Notes	
	16	25602	1	PLANET CARRIER		
	17	26467	3	PLANET GEAR *		
	18	25613	3	PLANET GEAR SHAFT *		
*	19	3719 0046 60	25292	6	ROLLER BEARING	
	20	25443	3	BEARING SPACER		
	21	24306	6	THRUST WASHER		
*	15	3719 0046 59	23584	3	PIN-SPIROL	
	38	25638	1	SPACER, OUTPUT		

* Included in 3719 0046 42

Main winch, brake cyl assembly - 4 bolt C

Vajerspel / wire line /

3719 0046 44



Main winch, brake cyl assembly - 4 bolt C

Vajerspel / wire line /

3719 0046 44

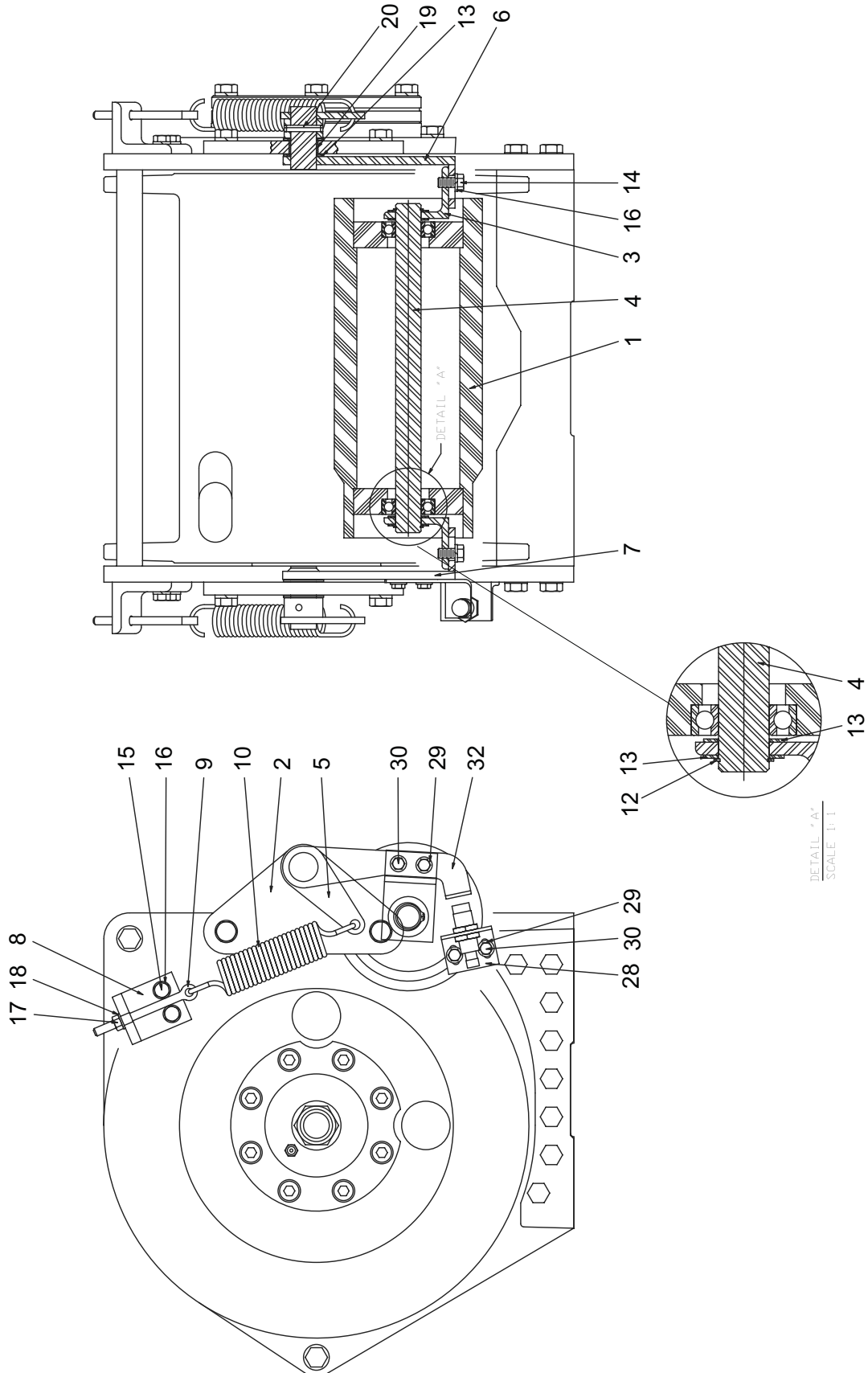
Ref. No.	Part No.	Cross ref No.	Qty.	Description	Notes
1		100035	1	BRAKE CYLINDER	
2		25642	1	SEAL	
3		25635	1	PRESSURE PLATE STAMPING	
4		25636	1	PISTON BACKUP RING	
* 5	3719 0046 65	25644	12	DIE SPRING	
* 6	3719 0046 66	21036	7	850170 DISC-FRICTION	
* 7	3719 0046 67	100027	8	BRAKE DISK	
32		100028	1	MOTOR SUPPORT	
36		25637	1	SPACER	
41		11026	4	LOCKWASHER	
42		29855	4	CAPSCREW	
47		24981	1	O-RING	
48		25643	1	BACK-UP RING	
99		100200	1	SPRING SPACER	

* Included in 3719 0046 44

Tension roller parts assembly

Vajerspel / wire line /

3719 0040 21



Tension roller parts assembly

Vajerspel / wire line /

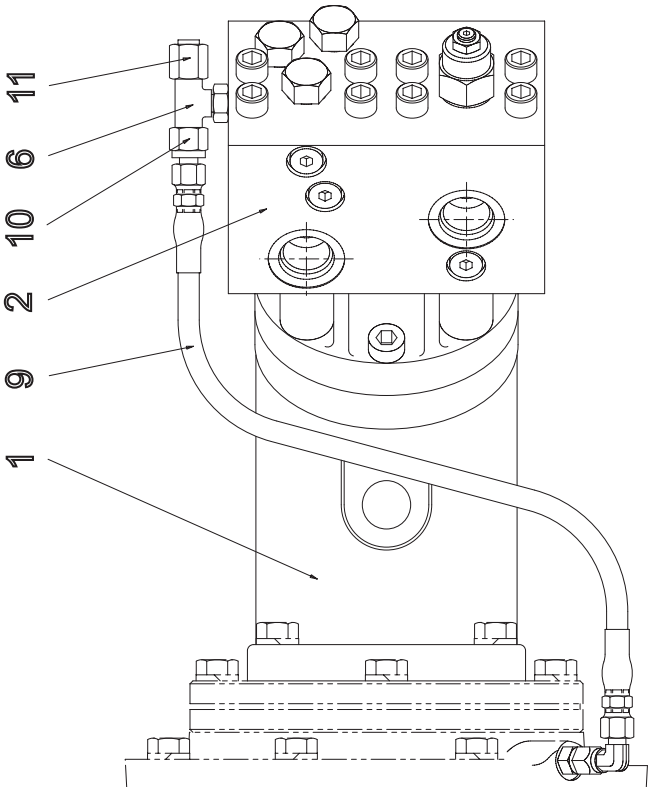
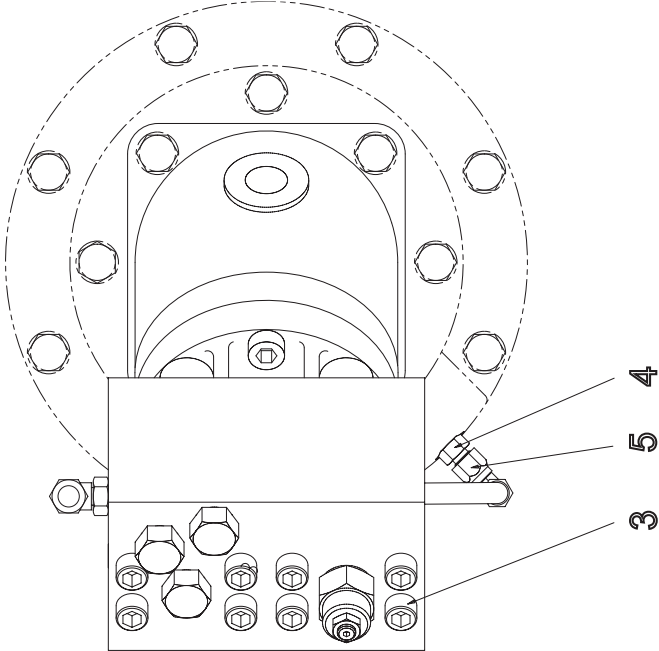
3719 0040 21

Ref. No.	Part No.	Cross ref No.	Qty.	Description	Notes
1	3719 0046 47	106522	1	ROLLER *	
2		102043	2	ROLLER PLATE	
3		106315	2	BRACKET, ROLLER	
4	3719 0046 48	106528	1	SHAFT, ROLLER	
5		102046	2	LEVER	
6		102047	1	ROLLER LEVER, RH	
7		106434	1	ROLLER LEVER, LH	
8		102055	2	BRACKET, ROLLER	
9	3719 0046 49	101726	2	ROD END, ROLLER	
10	3719 0046 50	101724	2	SPRING, ROLLER	
12		11953	2	1941004 SNAP RING	
13	3719 0046 51	25361	8	BEARING RACE	
14		13796	4	CAPSCREW	
15		104309	4	CAPSCREW	
16		27152	8	LOCKWASHER	
17		23558	2	NUT-ELASTIC	
18		13873	2	WASHER *	
19	3719 0046 52	22533	2	BUSHING	
20		18055	2	ROLLPIN	
28		106529	1	SENSOR BRACKET	
29		11072	4	WASHER	
30		104301	4	CAPSCREW	
32		106341	1	SWITCH BRACKET	

Main winch, hydraulic motor

Vajerspel / wire line /

3719 0046 72



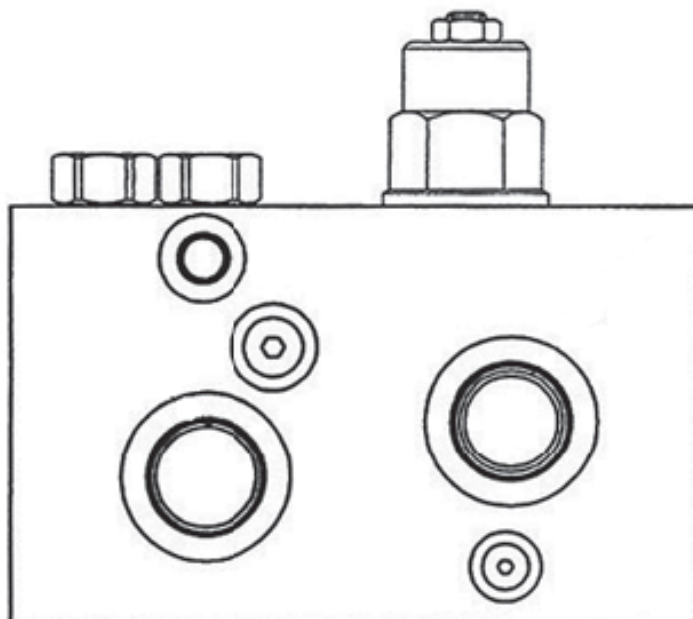
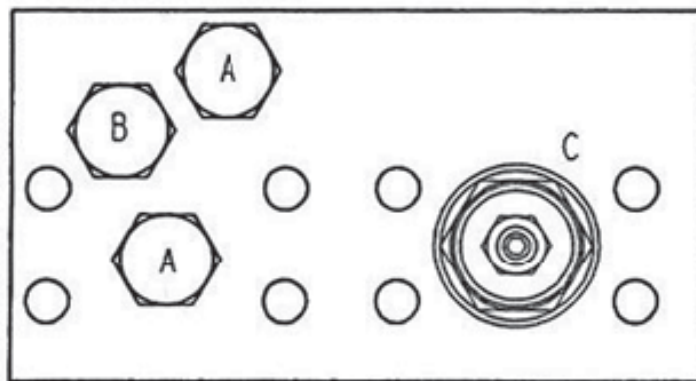
Main winch, hydraulic motor

Vajerspel / wire line /

3719 0046 72

Ref. No.	Part No.	Cross ref No.	Qty.	Description	Notes
A	3719 0046 62		2	CHECK VALVE	PACKING KIT D
B	3719 0046 63		1	SHUTTLE VALVE	PACKING KIT D
C	3719 0046 64		1	COUNTER BALANCE VALVE	PACKING KIT E
D	3742 0655 90		1	PACKING KIT PPDB VALVE	
E	5540 2948 00		1	PACKING KIT	
1	3719 0040 23		1	HYDRAULIC MOTOR, 80CC	*
9	3719 0046 61		1	HOSE ASSY	

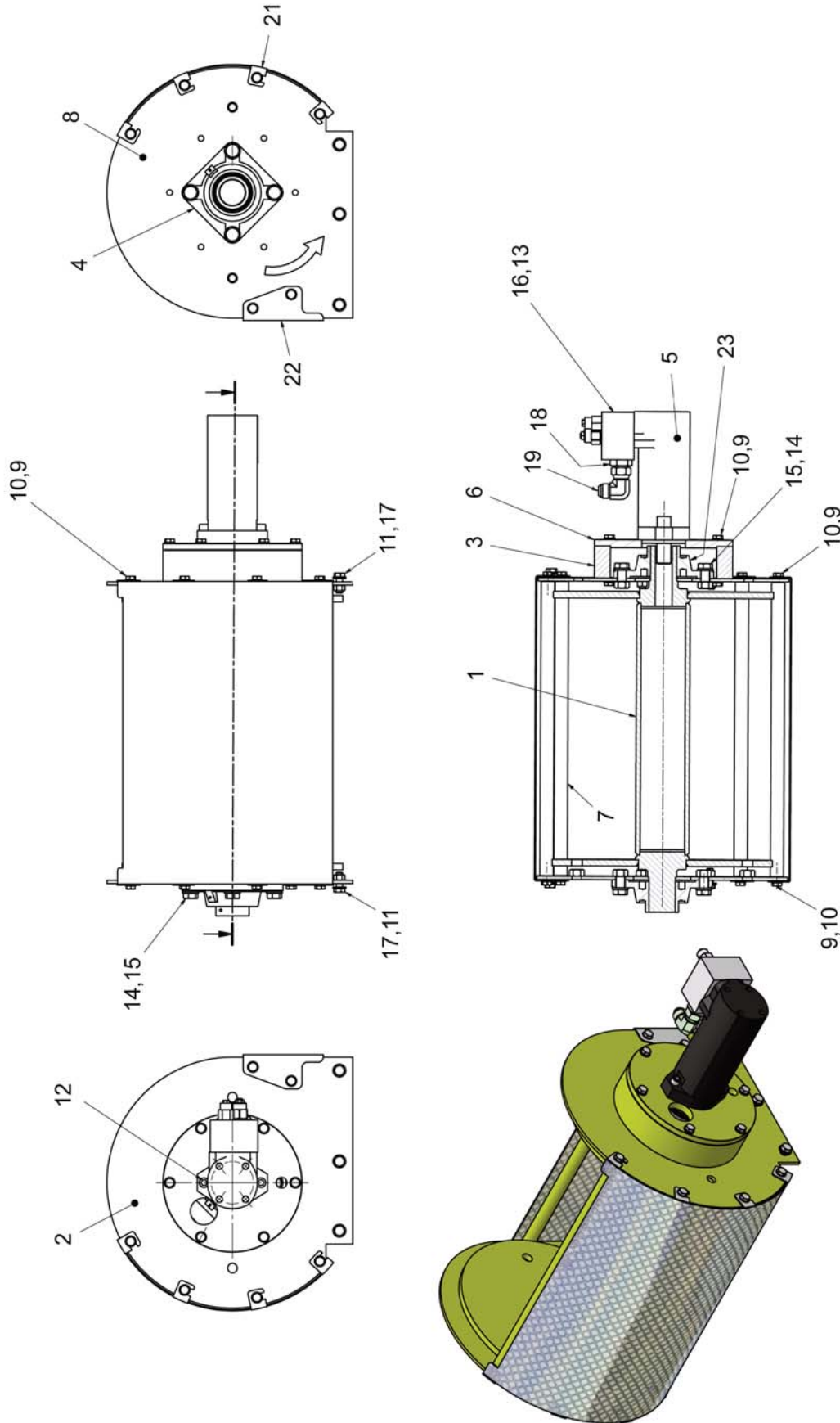
* Conversion kit for Rexroth to Parker motor 3719 0040 98



Wire line

Wirelinespel / Treuil pour carottiers à câble / Cabrestante wire line Argano/ Guincho de "wire line"

3719 0021 34



Wire line

Wirelinespel / Treuil pour carottiers à câble / Cabrestante wire line Argano/ Guincho de "wire line"

3719 0021 34

Ref. No.	Part No.	Qty.	Description	Notes
1	3719 0021 32	1	WIRELINE SPOOL	
2	3719 0021 35	1	WIRELINE OUTER LEFT	
3	3719 0021 36	1	MOUNT,BEARING AND MOTOR	
4	3719 0031 97	2	BEARING	P.O 0502801025
5	3719 0031 38	1	HYDRAULIC MOTOR.....	305CC FIXED P.O 3719002528
6	3719 0021 37	1	FLANGE	
7	3719 0021 38	6	SPACER	WIRELINE
8	3719 0025 23	1	WIRELINE OUTER RIGHT	
9	0301 2344 00	24	WASHER	10 BRB 10.5 x 20 x 2
10	0147 1362 03	24	SCREW	M10x25 FZB M6S 10 x 25 ISO 4017
11	0147 1401 03	6	SCREW	M12x30 FZB M6S 12 x 30
12	0211 1402 03	2	CAP SCREW.....	MC6S 12 x 35 8.8 FZB
13	0211 1369 03	3	CAP SCREW	MC6S 10 X 60 8.8 FZB
14	0301 2378 00	8	WASHER	16 BRB 17 x 30 x 3
15	0147 1476 03	8	SCREW	M16X35 FZB M6S 16 x 35
16	3719 0034 76	1	VALVE BLOCK	DOUBLE COUNTER BALANCE
-	3719 0031 79	2	VALVE, COUNTER BALANCE.....	
17	0301 2358 00	6	WASHER	12 BRB 13 x 24 x 2.5
18	3176 6517 00	2	NIPPLE	UN 1 1/16-R 3/4
19	3715 0589 00	2	ELBOW	UN 1 1/16 x 1 1/16
21	3719 0030 10	1	UPPER GUARD	
22	3719 0030 11	1	LOWER GUARD.....	
23	0544 1100 10	1	LUB. NIPPLE	NA 7206-7

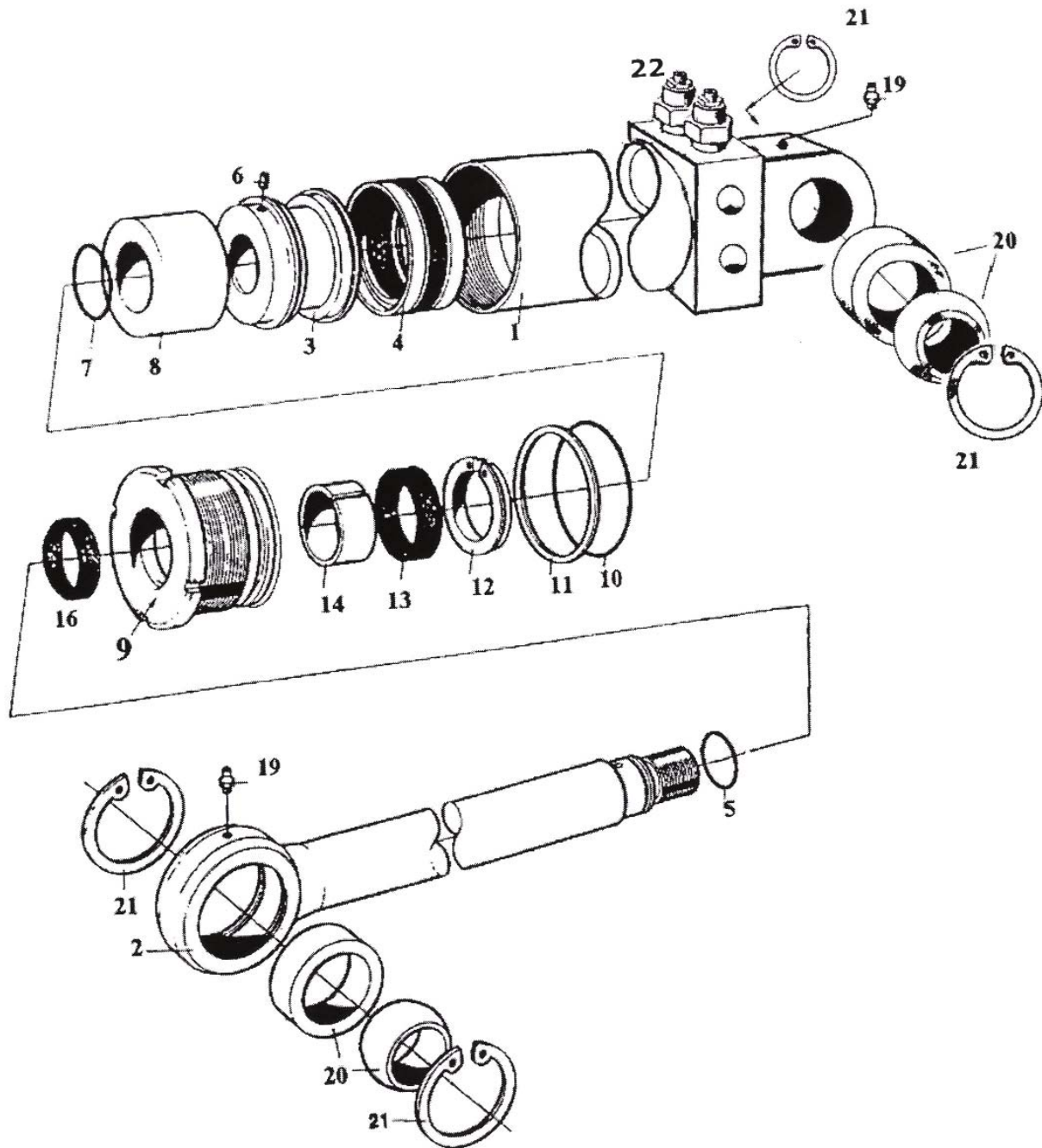
Recommended wire ropes

-	3715 8839 12	1 WIRE	5mm L= 1200m
-	3719 0029 23	1 WIRE	4,75mm L= 1800m

Raise cylinder

Hydraulikzylinder / Hydraulcylinder / Vérin hydraulique / Cilindro hidráulico / Cilindro de spinta / Cilindro de avance

3719 0025 27



Raise cylinder

Hydraulikzylinder / Hydraulcylinder / Vérin hydraulique / Cilindro hidráulico / Cilindro de spinta / Cilindro de avanço

3719 0025 27

Ref. No	Part Number	Qty.	Description	Notes
1	*	1	CYLINDER BARREL.....	
2	9126 41 43 0X	1	PISTON ROD	
3	9126 3953 00	1	PISTON	
4	TS	1	PISTON SEAL	
5	TS	1	O-RING.....	
6	TS	1	SCREW.....	
7	TS	1	O-RING.....	
8	9123 4859 00	1	SPACER	
9	9126 3951 00	1	A-COVER.....	
10	TS	1	O-RING.....	
11	TS	1	BACK UP RING.....	
12	TS	1	LOCKING RING	
13	TS	1	PISTON ROD SEAL	
14	TS	1	GUIDE RING	
16	TS	1	SCRAPER RING.....	
19	0544 2106 00	2	NIPPLE	
20	0501 0014 00	2	BALL JOINT.....	
21	0335 2143 00	4	LOCK RING	
22	8231 1206 86	2	CHECK VALVE	

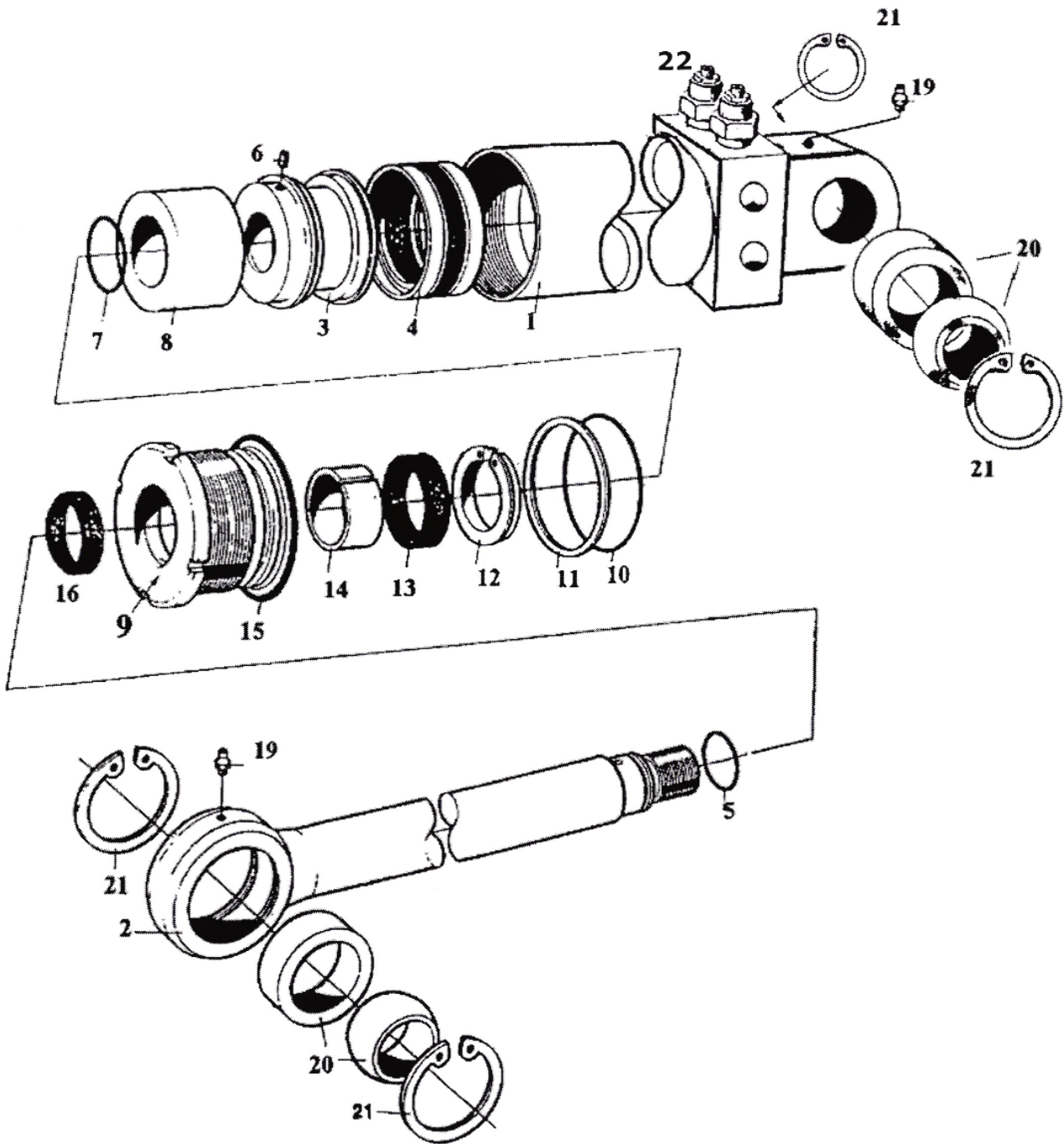
TS = SEAL KIT 9120 0993 08 (Items 4-7, 10-16)

* not delivered as spare part

Mast dump cylinder

Hydraulikzylinder / Hydraulcylinder / Vérin hydraulique / Cilindro hidráulico / Cilindro de spinta / Cilindro de avance

3719 0025 30



Mast dump cylinder

Hydraulikzylinder / Hydraulcylinder / Vérin hydraulique / Cilindro hidráulico / Cilindro de spinta / Cilindro de avanço

3719 0025 30

Ref. No	Part Number	Qty.	Description	Notes
1	*	1	CYLINDER BARREL.....	
2	9122 4869 5 X	1	PISTON ROD	
3	9126 3962 00	1	PISTON	
4	TS	1	PISTON SEAL	
5	TS	1	O-RING.....	
6	TS	1	SCREW.....	
7	TS	1	O-RING.....	
8	9123 4860 00	1	SPACER	
9	9126 3957 00	2	A-COVER.....	
10	TS	2	O-RING.....	
11	TS	2	BACK UP RING.....	
12	TS	2	LOCK RING	
13	TS	2	PISTON ROD SEAL	
14	TS	2	GUIDE RING	
15	TS	1	O-RING.....	
16	TS	2	SCRAPER RING.....	
19	0544 2106 00	2	NIPPLE	
20	9125 9552 00	2	BALL JOINT.....	
21	0335 2204 00	4	LOCK RING	
22	8231 1206 86	2	CHECK VALVE	

TS = SEAL KIT 9120 0993 10 (Items 4-7, 10-16)

* not delivered as spare part

Support leg

Stütze / Stag / Vérin de stabilisation / Tirante / Suporte / Sostegno

3719 0030 20

Support leg

Stütze / Stag / Vérin de stabilisation / Tirante / Suporte / Sostegno

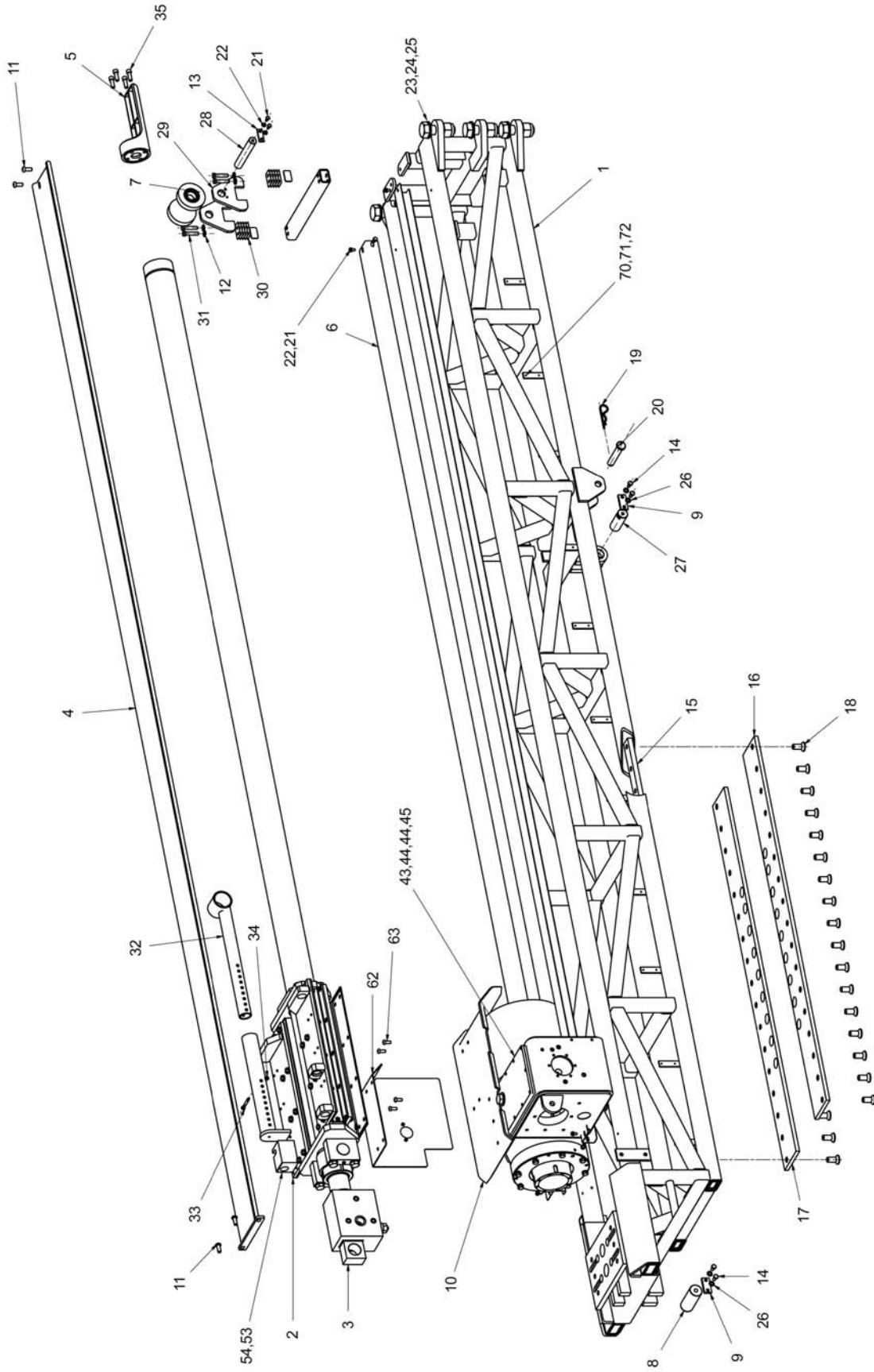
3719 0030 20

Ref. No	Part Number	Qty.	Description	Notes
-	3719 0025 91	1	JAW,SUPPORT	
-	3137 1484 05	1	PIN.....	5MM AXEL 25-35 HNS
-	0113 4615 18	1	CLEVIS PIN	24 X 140
-	3719 0040 12	1	SUPPORT LEGS	

Feed assembly

Matarhållare / Vorschubrahmgehalter / Fixation de glissière / Fijación de la deslizadera / Calha de perfuração / Soporto slitta

3719 0025 97



Feed assembly

Matarhållare / Vorschubrahmgehalter / Fixation de glissière / Fijación de la deslizadera / Calha de perfuração /
Soporto slitta

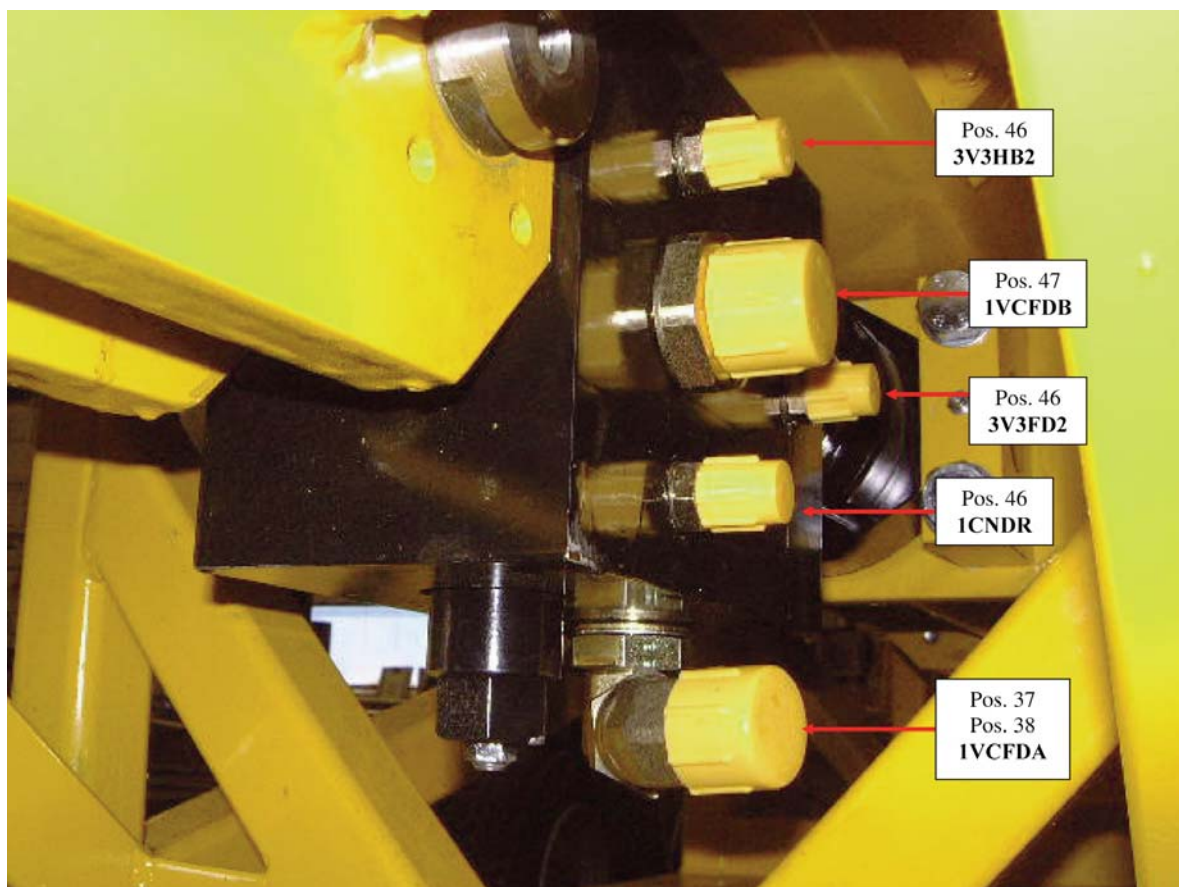
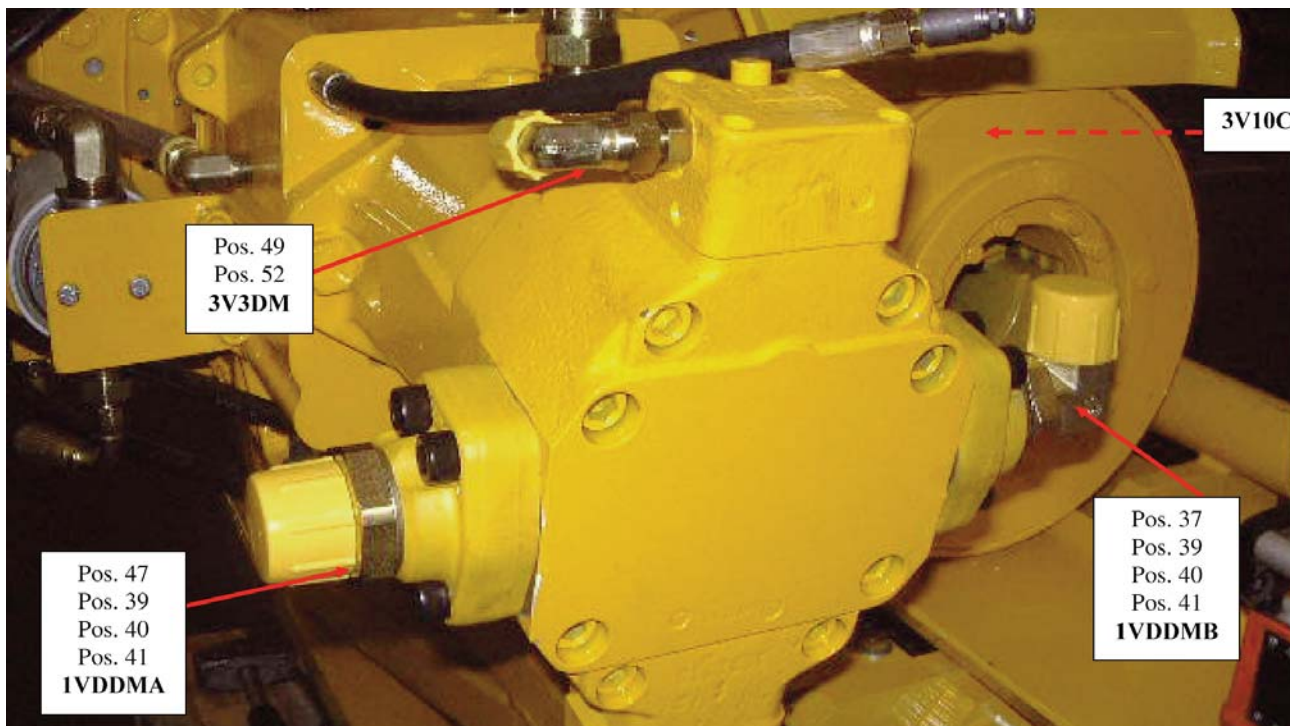
3719 0025 97

Ref. No.	Part No.	Qty.	Description	Notes
-	3719 0025 17	1	TOP MAST ASSEMBLY	(B)
-	3719 0031 08	1	GUARD	(B)
-	3719 0021 12	1	CRADLE COMPLETE	(B)
-	3719 0025 33	1	CROWN BLOCK.....	(B)
-	3719 0029 50	1	ROD HOLDER ASSEMBLY	(B)
3	3719 0025 03	1	FEED CYLINDER	(B) 100mmx80mm/Stroke=3505mm
7	3719 0029 17	1	SUPPORT ROLLE	
8	3719 0025 66	1	SHAFT.....	
9	3719 0025 47	2	KEY PLATE	
10	3719 0040 93	1	ROTATION UNIT.....	(B)
12	0301 2344 00	4	WASHER.....	10 BRB 10.5 x 20 x 2
13	3719 0025 87	1	KEY PLATE	
14	0147 1362 03	4	SCREW	M10x25 FZB M6S 10 x 25 ISO 4017
19	3137 1484 05	2	PIN.....	5MM AXEL 25-35 HNS
20	0113 4615 18	2	CLEVIS PIN.....	24 X 140
23	0147 1962 14	5	SCREW	M36X100FZB
24	0300 0276 46	10	PLAIN WASHER	37 X 66 X 5
25	0291 1122 00	5	LOCK NUT	M36 DIN 985 - FZB
26	0301 2344 00	4	WASHER.....	10 BRB 10.5 x 20 x 2
27	3719 0029 31	1	SHAFT.....	
28	3719 0029 18	1	SHAFT.....	
29	3719 0029 65	1	SUPPORT BRACKET	
30	3719 0029 66	12	DISTANCE	
31	0147 1369 03	4	SCREW.....	M6S 10 x 60 8.8 FZB
32	3719 0025 92	1	PIPE CLAMP HOLDER.....	
33	0147 1334 03	1	SCREW	M6S 8 x 70 8.8 FZB
34	0291 1128 18	1	LOCK NUT	M8 M8 HÖG fzb ISO 7040
35	0211 1402 03	4	CAP SCREW	MC6S 12 x 35 8.8 FZB
36	3176 6351 00	2	ELBOW.....	R 1/4 x UN 9/16-18
42	0147 1480 03	4	SCREW	M16x55 FZB M6S 16 x 55
43	0291 1164 00	4	LOCK NUT	M6MF M16 DIN 6926
44	0301 2378 00	4	WASHER.....	16 BRB 17 x 30 x 3
45	0111 1686 05	1	LOCKING CLIP	3 mm HNS
48	3176 6551 00	1	ELBOW.....	UN 1 5/16
49	3176 6530 00	1	NIPPLE	UN 9/16 X 9/16
53	0144 3491 03	1	SCREW	3/4 L=51MM FZB
54	0301 2394 00	1	WASHER.....	BRFB 21 x 37 x 3 FZB
55	0346 1002 05	11	PIPE CLAMP	DIA.16
58	0301 2335 00	3	WASHER	8 BRB 8.4 x 16 x 1.6 SS
59	0301 2358 00	2	WASHER.....	12 BRB 13 x 24 x 2.5
60	0147 1362 03	3	SCREW.....	M10x25 FZB M6S 10 x 25 ISO 4017
61	0147 1397 03	2	SCREW.....	M6S 12 x 16
62	3719 0030 62	1	PROTECT PLATE.....	
63	0215 0003 94	4	HEX SOCK.BUTTON HEAD SCREW	
65	0147 1476 03	6	SCREW.....	M16X35 FZB M6S 16 x 35
66	0301 2378 00	6	WASHER	16 BRB 17 x 30 x 3
67	3715 0600 00	2	PLUG.....	UN 9/16"-18 6PNTXS
68	3176 5429 00	2	CAP	UN 9/16"-18
70	0160 6062 00	22	SLOTTED SCREW	MCS M5 x 16
71	0301 2318 00	22	WASHER.....	5 5.3x10x1 FZB
72	0291 1128 14	11	LOCK NUT	M5 FZB M5 HÖG FZB ISO 7040
EL	3719 0029 47	2	BRACKET.....	
EL	3716 6058 00	2	FLOODLIGHT.....	
EL	3716 5820 00	2	PROTECTION.....	HAN 3 A MALE FAST MONT.
EL	3716 5823 00	2	PROTECTION.....	HAN 3 A MALE
EL	3716 5819 00	2	INSERT.....	HAN 3 A FEMALE
EL	3716 5818 00	2	INSERT.....	HAN 3 A MALE

Feed assembly (Fittings)

Matarhållare / Vorschubrahmgehalter / Fixation de glissière / Fijación de la deslizadera / Calha de perfuração / Soporto slitta

3719 0025 97



Feed assembly (Fittings)

Matarhållare / Vorschubrahmgehalter / Fixation de glissière / Fijación de la deslizadera / Calha de perfuração / Soporto slitta

3719 0025 97

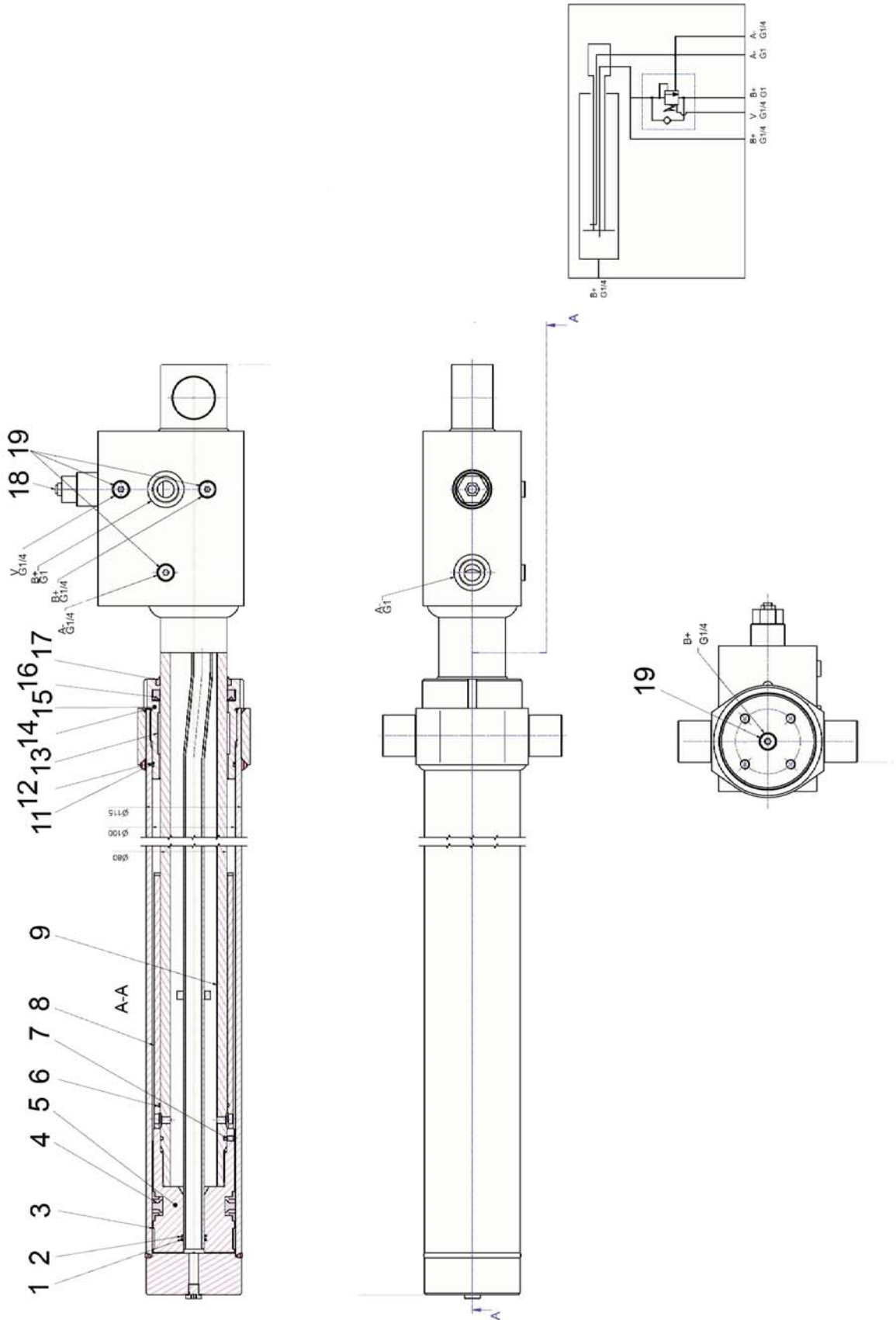
Ref. No.	Part No.	Qty.	Description	Notes
37	3176 6569 00	2	ELBOW.....	R 1" x UN 1 5/16"
38	3128 3062 56	1	HOSE HOLDER.....	
39	3719 0033 01	2	FLANGE, HYD. MOTOR	G 1"/ P.O. 3719002937
40	0211 5161 90	8	CAP SCREW	UNC 7/16 - 45 FZB
41	0663 9188 01	2	O-RING.....	32.92 x 3.53
46	3176 6348 00	3	NIPPLE	UN 9/16 x R 1/4
47	3176 6520 00	2	NIPPLE	R 1" x UN 1 5/16
52	3715 0584 00	1	ELBOW.....	UN 9/16xUN 9/16



Feed cylinder

Hydraulikzylinder / Hydraulcylinder / Vérin hydraulique / Cilindro hidráulico / Cilindro de spinta / Cilindro de avance

3719 0025 03



Feed cylinder

Hydraulikzylinder / Hydraulcylinder / Vérin hydraulique / Cilindro hidráulico / Cilindro de spinta / Cilindro de avanço

3719 0025 03

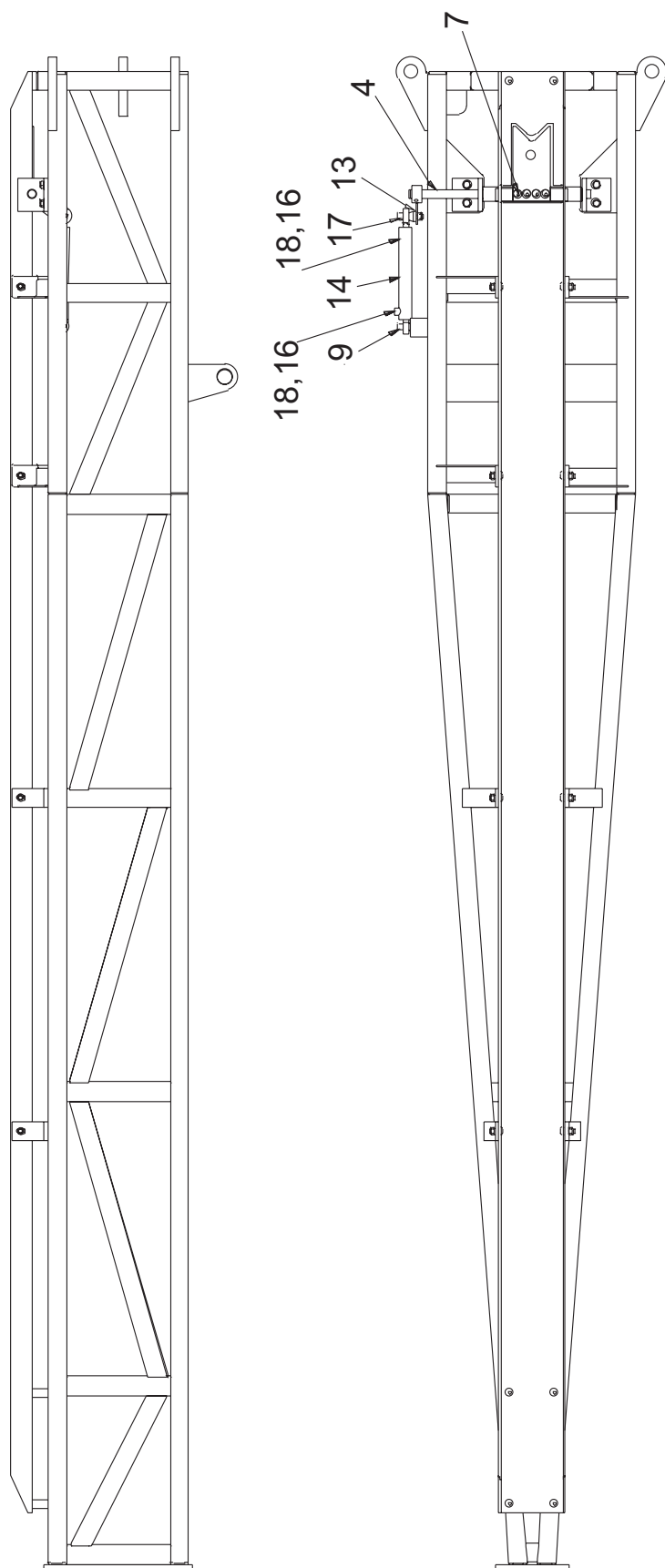
Ref. No	Part Number	Qty.	Description	Notes
1	TS	1	O-RING.....	
2	TS	2	SUPPORT RING.....	
3	TS	1	GUIDE RING	
4	TS	1	PISTON SEAL	
5	3719 0035 78	1	PISTON	
6	TS	1	O-RING.....	
7	TS	1	SCREW.....	Mv 5 Nm
8	3719 0035 76	1	SPACER	
9	3719 0035 77	1	PISTON ROD	
10	-	1	CASING.....	
11	TS	1	O-RING.....	
12	TS	1	SUPPORT RING.....	
13	TS	1	GUIDE RING	
14	TS	1	O-RING.....	
15	3719 0035 79	2	A-COVER.....	Mv 350 Nm
16	TS	1	PISTON SEAL	
17	TS	1	WIPER	
18	3719 0035 80	1	VALVE	Mv 200 Nm

TS = Seal kit cylinder 3719 0030 36

Feed assembly, top mast

Matarhållare / Vorschubrahmgehalter / Fixation de glissière / Fijación de la deslizadera / Calha de perfuração / Soporto slitta

3719 0025 17



Feed assembly, top mast

Matarhållare / Vorschubrahmgehalter / Fixation de glissière / Fijación de la deslizadera / Calha de perfuração / Soporto slitta

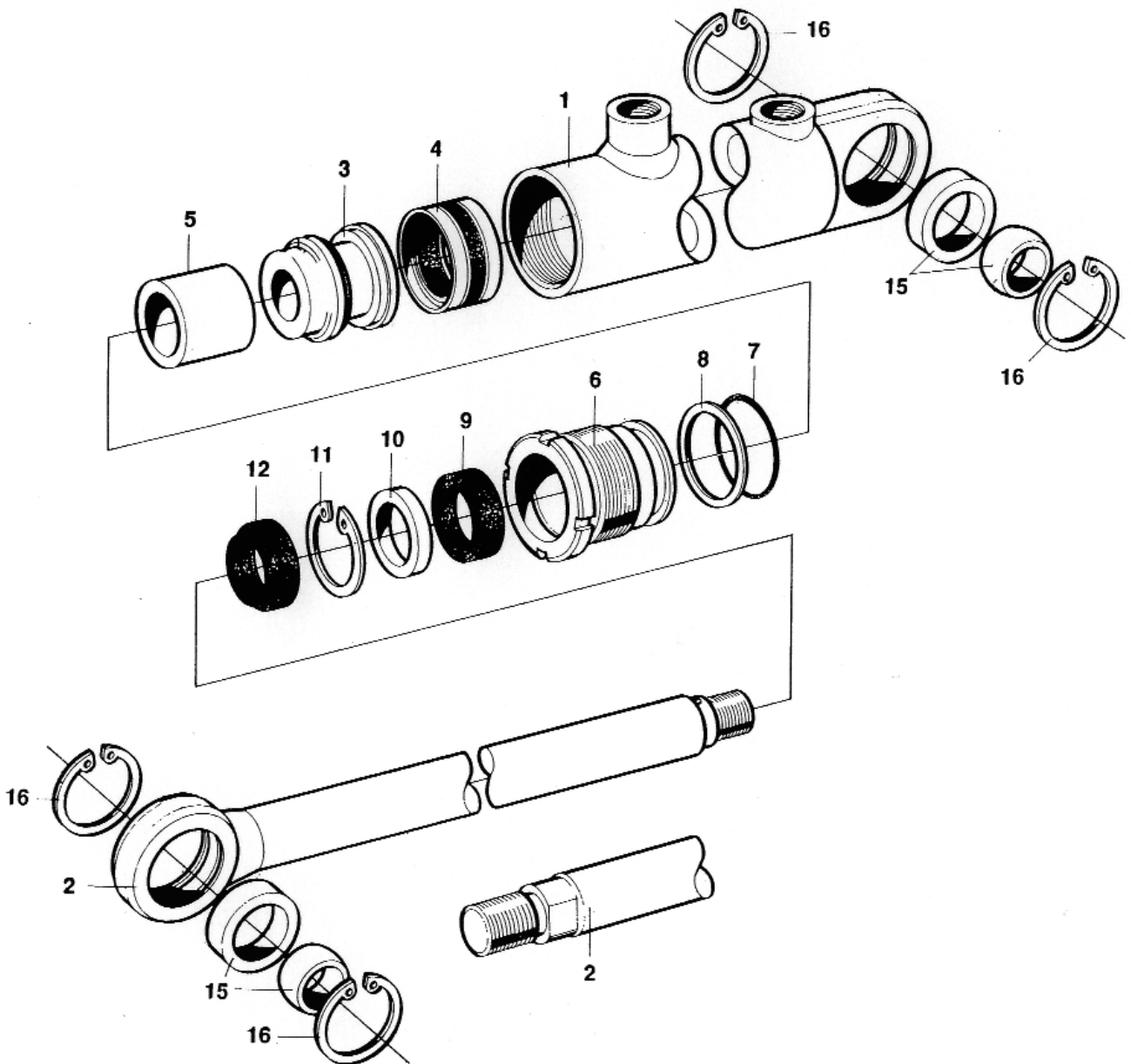
3719 0025 17

Ref. No.	Part No.	Qty.	Description	Notes
4	3719 0025 20	1	ROUND BAR.....	
7	0216 1957 73	4	CAP SCREW	MF6S DIN 7991 M10X25 8.8
9	0211 1406 03	2	CAP SCREW	MC6S M12 X 55 8.8 FZB
13	3719 0021 89	2	SPACER	
14	3719 0029 34	1	HYD. CYLINDER, ROD KICKER	(B)
16	3716 3930 01	2	ELBOW.....	JIC 9/16 X G1/4 W M8 FP
17	0108 1394 00	1	SPRING PIN.....	FRP 10 x 50
18	3715 6441 00	2	NOZZLE	0.7 M8 M8 X 10 0.7MM

Hydraulic cylinder, "Rod kicker"

Hydraulikzylinder / Hydraulcylinder / Vérin hydraulique / Cilindro hidráulico / Cilindro de spinta / Cilindro de avance

3719 0029 34



Hydraulic cylinder, "Rod kicker"

Hydraulikzylinder / Hydraulcylinder / Vérin hydraulique / Cilindro hidráulico / Cilindro de spinta / Cilindro de avanço

3719 0029 34

Ref. No	Part Number	Qty.	Description	Notes
1	*	1	CYLINDER BARREL.....	
2	*	1	PISTON ROD	
3	9126 4293 00	1	PISTON	
4	TS	1	PISTON SEAL.....	
6	9126 4244 00	1	A-COVER.....	
7	TS	1	O-RING.....	
8	TS	1	BACK UP RING.....	
9	TS	1	PISTON ROD SEAL.....	
10	TS	1	WASHER.....	
11	TS	1	LOCK RING.....	
12	TS	1	SCRAPER RING.....	
15	0501 0009 00	2	BALL JOINT.....	
16	0335 2143 02	4	LOCK RING.....	

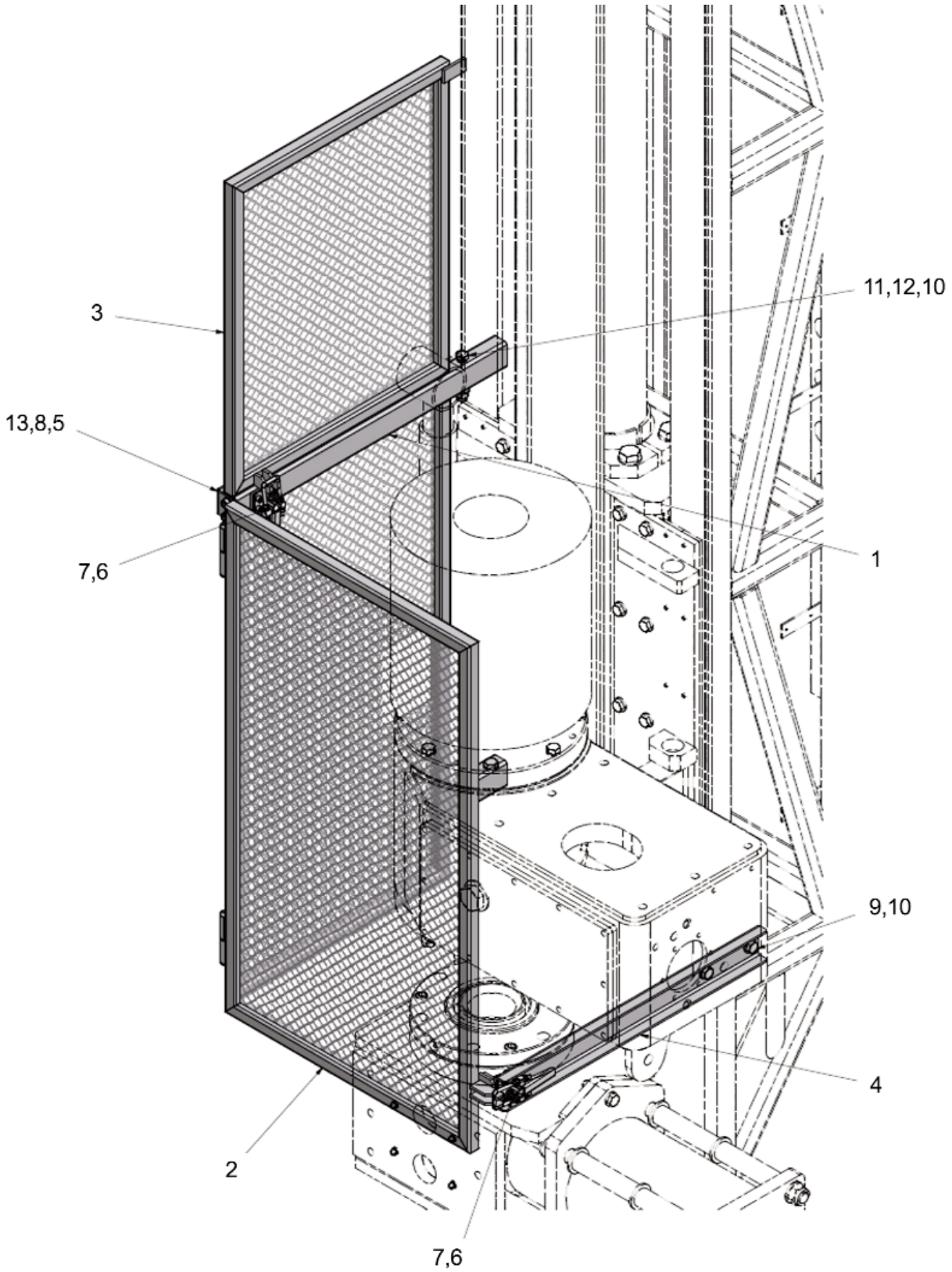
TS = SEAL KIT 9120 0993 02 (Items 4, 7-12)

* not delivered as spare part

Guard

Schutzvorrichtung / Gallerskydd / Dispositivo de seguridad / Congegno di sicurezza / Dispositivo de segurança

3719 0031 08



Guard

Schutzvorrichtung / Gallerskydd / Dispositivo de seguridad / Congegno di sicurezza / Dispositivo de segurança

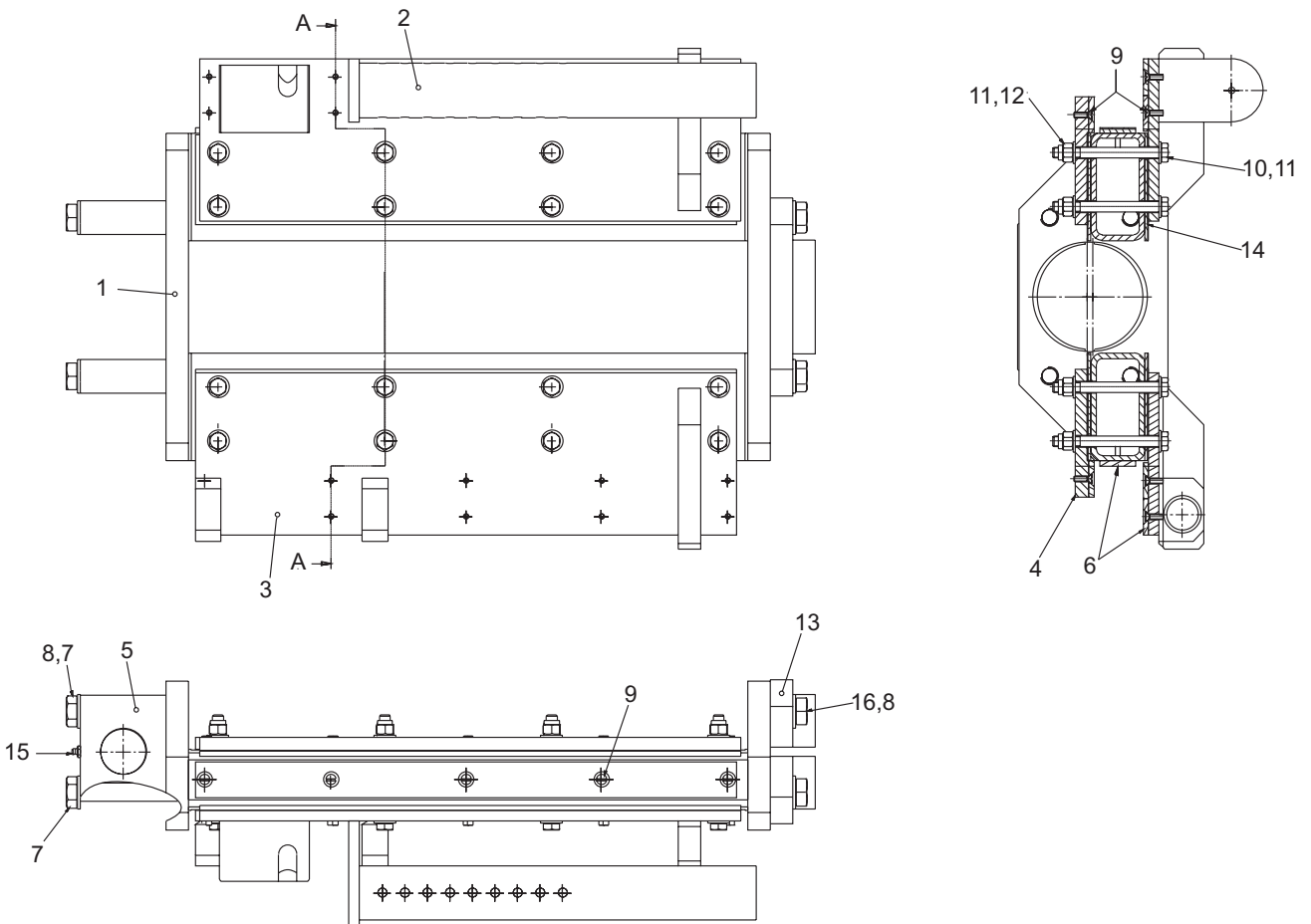
3719 0031 08

Ref. No.	Part No.	Qty.	Description	Notes
1	3719 0031 03	1	GUARD - MAIN	
2	3719 0031 04	1	GUARD - FRONT.....	
3	3719 0031 05	1	GUARD - TOP.....	
4	3719 0031 06	1	GUARD BRACKET.....	
5	3719 0031 07	1	STOP PIECE.....	
6	3719 0031 10	2	ECCENTRIC LOCK.....	
7	0211 1244 03	8	CAP SCREW.....	MC6S 6 x 12 8.8 FZB
8	0211 1328 03	2	CAP SCREW	MC6S 8 x 40 8.8 FZB
9	0147 1400 03	2	SCREW	M6S 12 x 25
10	0301 2358 00	4	WASHER	BRB 13 x 24 x 2.5
11	0147 1413 03	2	SCREW	M6S 12 x 90
12	0291 1112 00	2	LOCK NUT.....	M12 LM6M DIN 985
13	0301 2335 00	2	WASHER	BRB 8.4 x 16 x 1.6 SS

Cradle

Werkzeugschlitten / Släde / Andamio de liras / Cabeçote porta-ferramentas / Ponte impiccato

3719 0021 12



Cradle

Werkzeugschlitten / Släde / Andamio de liras / Cabeçote porta-ferramentas / Ponte impiccato

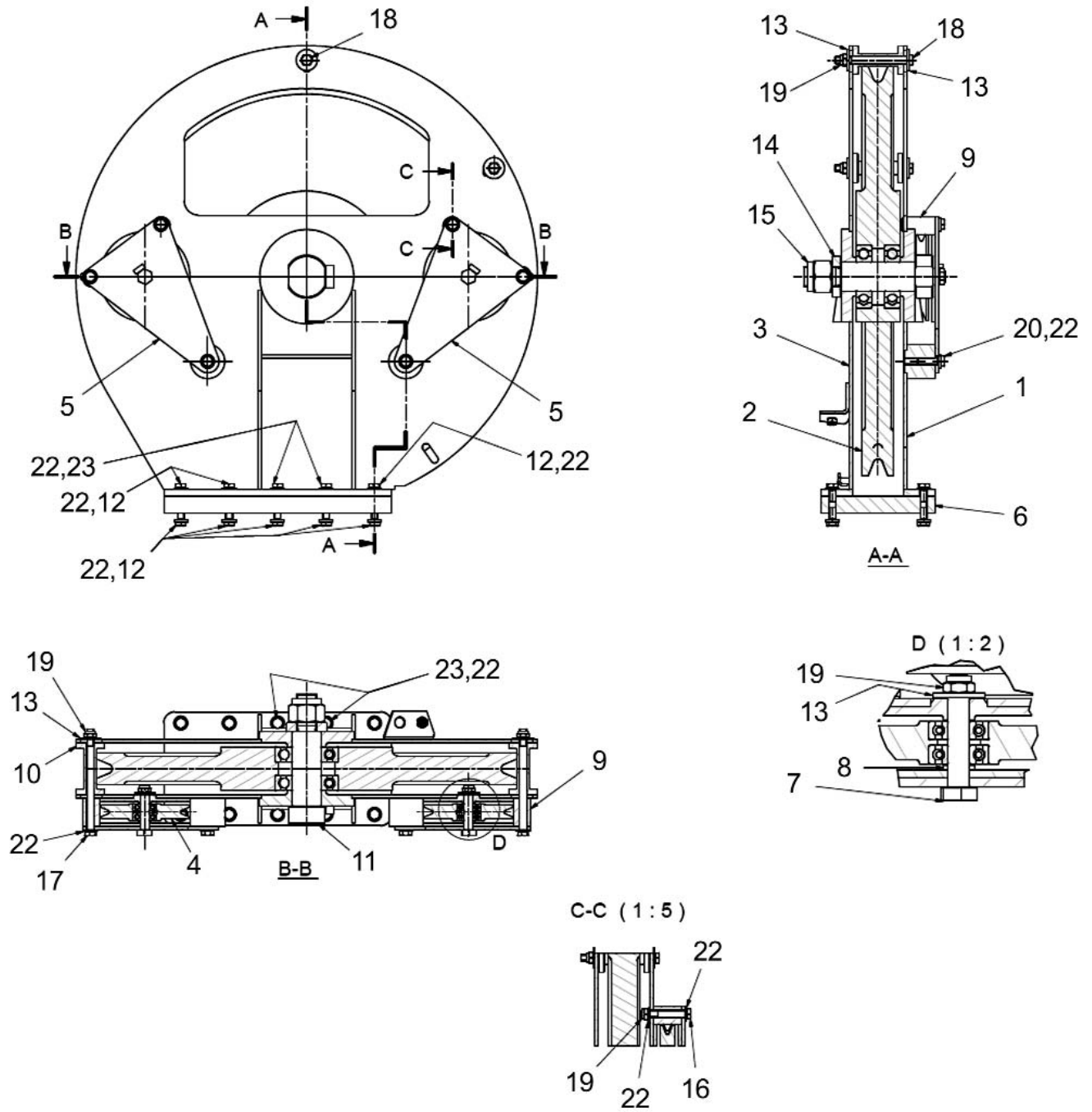
3719 0021 12

Ref. No.	Part No.	Qty.	Description	Notes
1	3719 0021 13	1	CRADLE	
2	3719 0021 14	1	UPPER GUIDE PLATE - LEFT	
3	3719 0021 18	1	UPPER GIUDE PLATE - RIGHT.....	
4	3719 0021 15	2	LOWER GUIDE PLATE - RIGHT	
5	3719 0021 16	2	CYLINDER HOLDER	
6	3719 0021 17	8	WEAR PLATE	
7	0147 1564 03	4	SCREW	M6S 20 x 120 8.8 FZB
8	0300 0274 13	8	PLAIN WASHER	BRB 21 x 37 x 3 ISO 7089
9	0162 1567 27	40	SLOTTED SCREW	MFS 6 X 16 BRASS
10	0147 1418 03	16	SCREW.....	M12x120 FZB M6S 12 x 120 FZB
11	0301 2358 00	32	WASHER.....	12 BRB 13 x 24 x 2.5
12	0291 1128 22	16	LOCK NUT	M12
13	3719 0029 11	1	FEED CYLINDER SUPPORT.....	
14	3719 0025 86	4	DISTANCE PLATE	
15	0544 1100 12	2	LUB. NIPPLE.....	H1 M10 X 1
16	0147 1551 03	4	SCREW	M6S 20 x 50 8.8 FZB

Crown block

Kronblock / Kronenblock / Taglia fissa

3719 0025 33



Crown block

Kronblock / Kronenblock / Taglia fissa

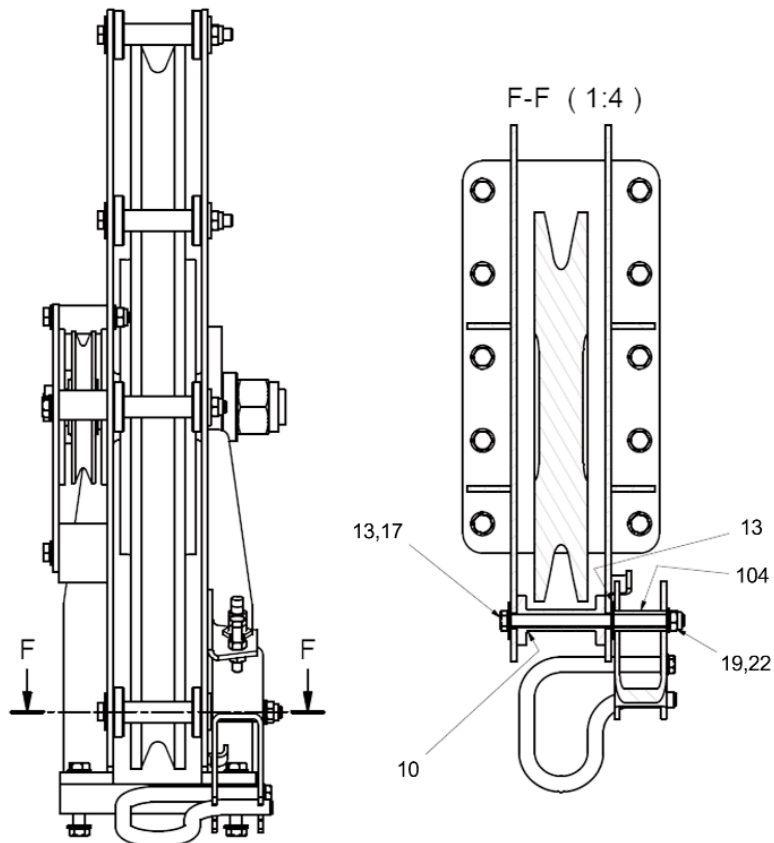
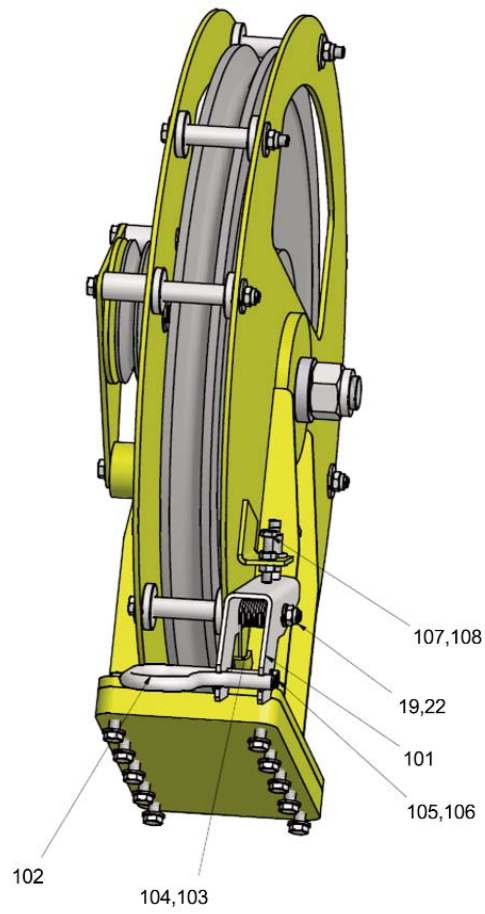
3719 0025 33

Ref. No	Part Number	Qty.	Description	Notes
1	3719 0025 34	1	ROLLER SUPPORT RIGHT MEMBER	
2	3719 0025 40	1	MAIN PULLEY	
3	3719 0025 44	1	ROLLER SUPPORT LEFT MEMBER	
4	3719 0025 41	2	IDLER PULLEY	
5	3719 0025 36	2	IDLER SUPPORT FRAME	
6	3719 0025 43	1	BASE BLOCK	
7	3719 0025 35	2	IDLER SHAFT	
8	3719 0025 38	2	BEARING SPACER	
9	3719 0025 32	4	SPACER BLOCK	
10	3719 0025 45	4	SUPPORT ROLLER	
11	3719 0025 48	1	SHAFT.....	
12	0147 1400 03	10	SCREW.....	M6S 12 x 25
13	0300 8011 00	8	PLAIN WASHER	12.5 x 35 x 3 FZB
14	3719 0029 68	1	DISTANCE	
15	0291 1122 00	1	LOCK NUT	M36 DIN 985 - FZB
16	0147 1411 03	2	SCREW.....	M6S 12 x 80 FZB
17	0147 1423 03	2	SCREW	M6S 12 X 180 FZB
18	0147 1418 03	2	SCREW	M6S 12 x 120 FZB
19	0291 1112 00	8	LOCK NUT.....	M12 LM6M DIN 985
20	0147 1403 03	2	SCREW	M6S 12 x 40
22	0301 2358 00	18	WASHER	BRB 13 x 24 x 2.5
23	0147 1401 03	4	SCREW	M6S 12 x 30

Crown block - CE

Kronblock / Kronenblock / Taglia fissa

3719 0031 70



Crown block - CE

Kronblock / Kronenblock / Taglia fissa

3719 0031 70

Ref. No	Part Number	Qty.	Description	Notes
10	3719 0025 45	1	SUPPORT ROLLER	
13	0300 8011 00	2	PLAIN WASHER	12.5 x 35 x 3 FZB
17	0147 1423 03	1	SCREW.....	M6S 12 X 180 FZB
19	0291 1112 00	1	LOCK NUT	M12 LM6M DIN 985
22	0301 2358 00	1	WASHER	BRB 13 x 24 x 2.5
101	3719 0035 02	1	ARM.....	
102	3719 0035 03	1	LOOP.....	
103	3719 0035 22	1	SPRING TURN.....	SPRING
104	3719 0035 04	1	SOCKET	
105	0147 1360 03	1	SCREW	M6S 10 x 20
106	0301 2344 00	1	WASHER.....	BRB 10.5 x 20 x 2
107	0147 1367 03	1	SCREW	M6S 10 x 50 8.8 FZB
108	0261 2111 00	1	HEX. NUT	ML6M 10 IS EA

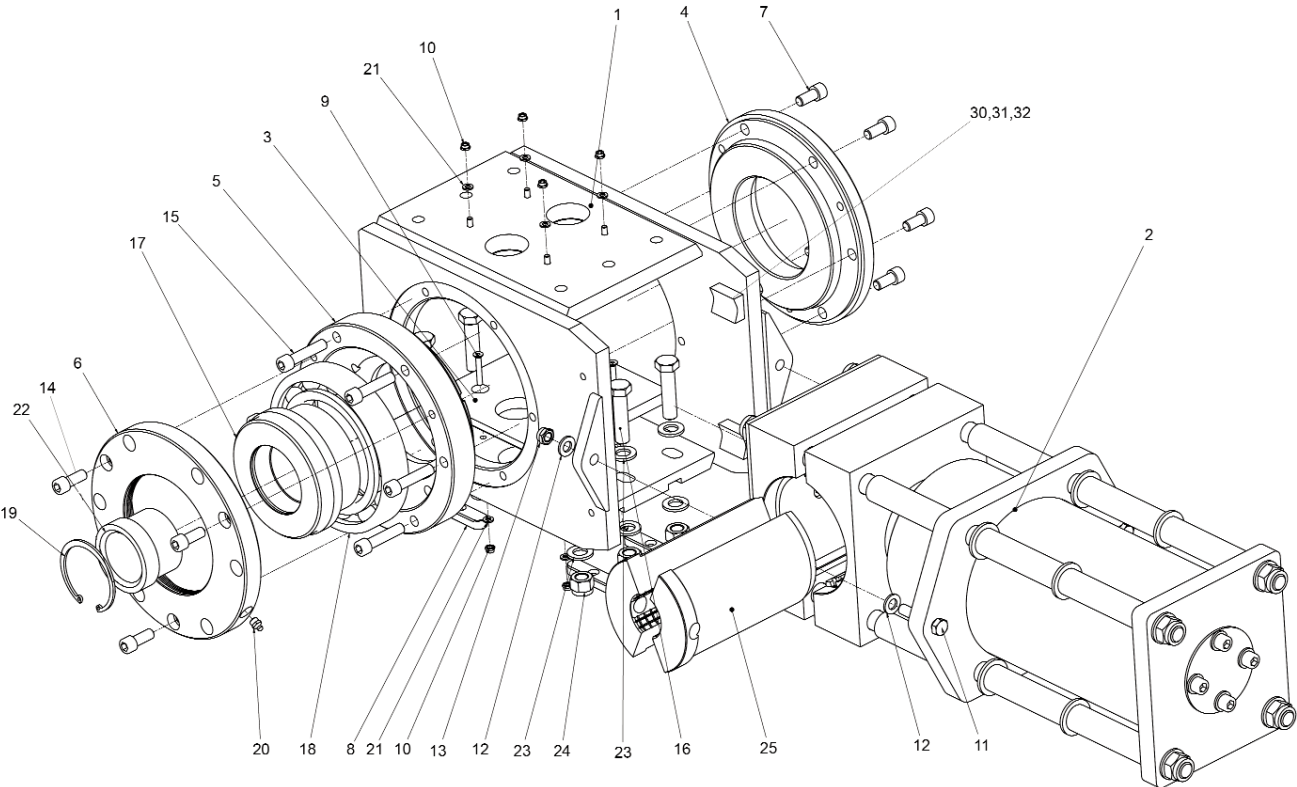
Not shown in picture

3719 0031 73

-	3719 0031 54	2	INDUKTIVE TRANSDUCER CS	B103,B104
-	3719 0031 70	1	CROWN BLOCK - CE	
-	3719 0031 52	1	CABLE INDUK. TRANSDUCER	L= 2m
-	3719 0031 53	1	CABLE INDUK. TRANSDUCER	L= 10m
-	3176 6351 00	1	ELBOW.....	R 1/4 x UN 9/16-18
1N1	3715 6441 00	1	NOZZLE	0.7mm M8 x10
1V1	3719 0035 09	1	VALVEBLOCK, MAIN.....	CS10
1V2	3719 0031 72	1	PRESSURE SWITCH KIT.....	
1V5	3719 0034 98	1	VALVE, CARTRIDGE	2/2 NO-24V
302	3176 7336 00	1	NIPPLE	UN 3/4 x 7/8
303	3176 3060 00	1	ELBOW	UN 3/4"

Rod holder assembly

3719 0029 50



Rod holder assembly

3719 0029 50

Ref. No.	Part No.	Qty.	Description	Notes
1	3719 0020 52	1	RH HOUSING.....	
3	3719 0020 53	2	LINER	
4	3719 0020 54	1	FRONT COVER.....	
5	3719 0020 55	1	BACK COVER	
6	3719 0020 56	1	RETAINER	
7	0211 1400 03	6	CAP SCREW.....	MC6S 12 x 25 8.8
9	0216 1957 75	8	CAP SCREW.....	MF6S 6 x 40 10.9 FZB
10	0291 1108 00	8	LOCK NUT	M6 LM6M
11	0147 1407 03	2	SCREW	M6S 12 x 60
12	0301 2358 00	10	WASHER	BRB 13 x 24 x 2.5
13	0291 1128 22	8	LOCK NUT	M12
14	0211 1401 03	3	CAP SCREW.....	MC6S 12 x 30 8.8 din912
15	0211 1405 03	6	CAP SCREW.....	MC6S 12 x 50 8.8 FZB
16	0147 1482 03	6	SCREW	M6S 16 x 65 8.8 FZB
17	3719 0035 88	1	SOCKET HOLDER	
18	0502 1126 00	1	BALL BEARING	6026
19	0335 2178 00	1	CIRCLIP.....	DIN 472 D=130 T=4
20	0544 1100 12	1	LUB. NIPPLE	H1 M10 X 1
21	0301 2321 00	8	WASHER	BRFB 6.4 x 12.5 x 1.5
22	3719 0035 90	1	GUIDE SOCKET	
23	0301 2378 00	12	WASHER	BRB 17 x 30 x 3
24	0291 1128 25	6	LOCK NUT	M16 FZB
25	3719 0032 01	1	RH JAW	70 mm (N)
26	3176 6564 00	1	ELBOW.....	R 1/2 x UN 3/4-16
27	3176 3060 00	1	ELBOW.....	UN 3/4"
30	3719 0036 27	2	V-BLOCK	
31	0147 1962 64	2	SCREW	M6S M10 x 40 8.8 FZB FULL THREAD
32	0261 2111 00	2	HEX. NUT.....	ML6M 10

Socket holder **B**

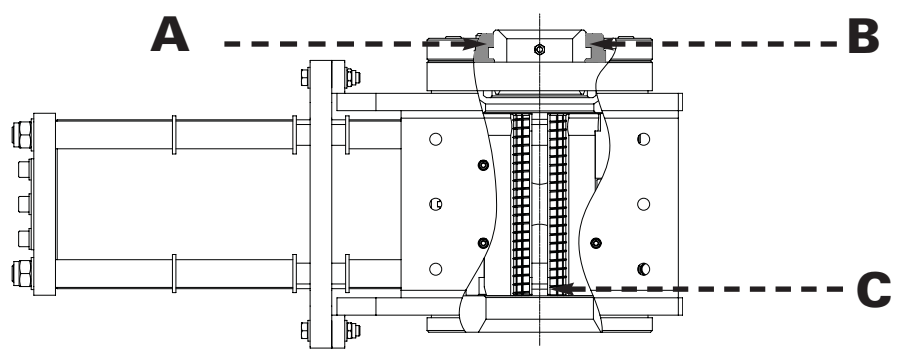
17	3719 0035 88	1	SOCKET HOLDER, B-H
----	--------------	---	--------------------------

Guide Socket **A**

22	3719 0035 91	1	GUIDE SOCKET	B (62mm)
22	3719 0035 90	1	GUIDE SOCKET	N (76mm) Included in 3719 0029 50
22	3719 0035 89	1	GUIDE SOCKET	H (96mm)
22	3719 0035 88	1	GUIDE SOCKET	P

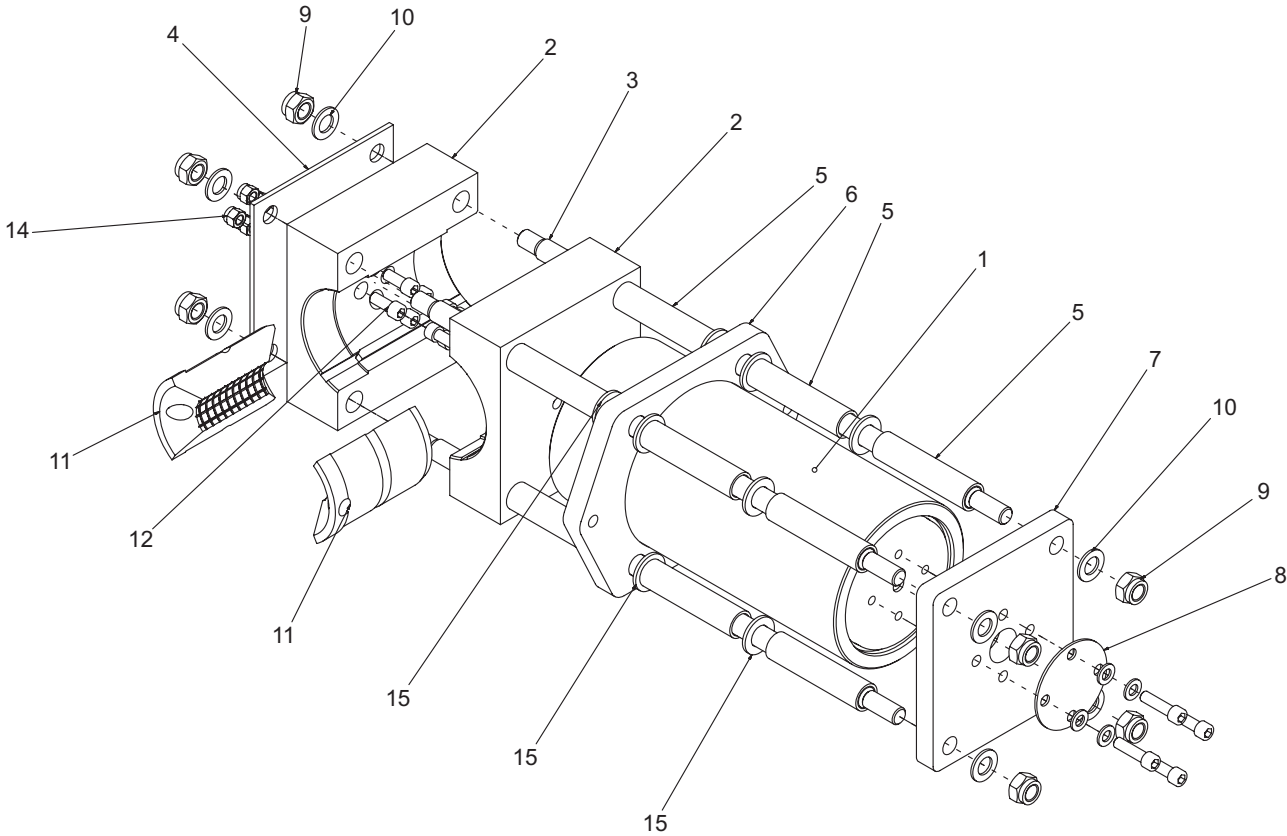
Jaws **C**

25	3719 0032 00	1	RH JAW	54 mm (B)
25	3719 0032 01	1	RH JAW	70 mm (N) Included in 3719 0029 50
25	3719 0032 02	1	RH JAW	89 mm (H)
25	3719 0032 03	1	RH JAW	114 mm (P)
25	3719 0032 04	1	RH JAW, TC	54 mm (B)
25	3719 0032 05	1	RH JAW, TC	70 mm (N)
25	3719 0032 06	1	RH JAW, TC	89 mm (H)



Rod holder insert

3719 0020 51



Rod holder insert

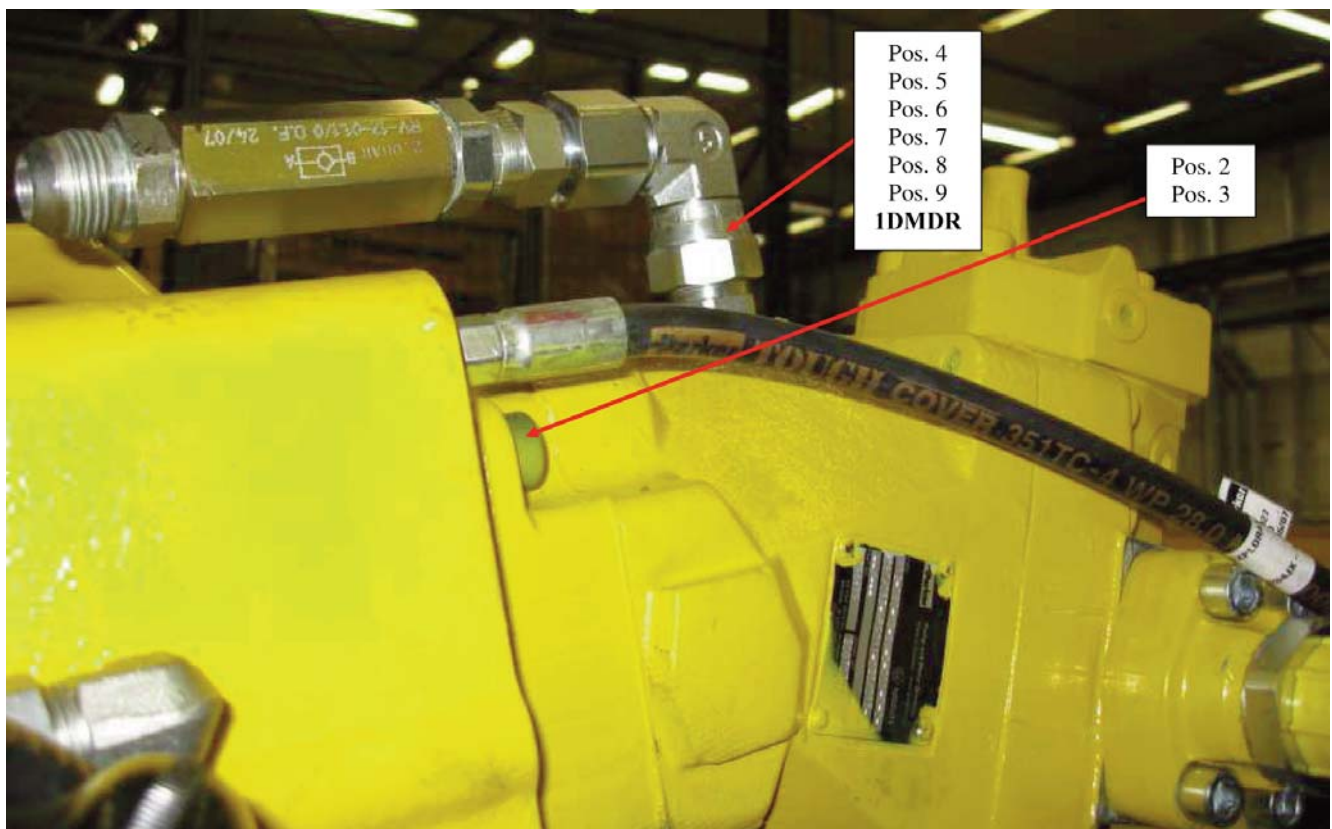
3719 0020 51

Ref. No.	Part No.	Qty.	Description	Notes
1	3719 0032 88	1	GAS SPRING	
2	3719 0020 59	2	JAW HOLDER	
3	3719 0020 60	4	TIE ROD	
4	3719 0020 61	1	LOCKING PLATE	
5	3719 0020 62	12	SPACER	
6	3719 0020 63	1	MOUNTING FLANGE	
7	3719 0020 64	1	END PLATE	
8	3719 0020 65	1	CAP	
9	0291 1116 00	8	LOCK NUT	M20 LM6M
10	0301 2394 00	8	WASHER	BRFB 21 x 37 x 3 FZB
11	3715 3614 00	1	RH JAW	See Jaws and Guides
12	0211 1401 03	4	CAP SCREW	MC6S 12 x 30 8.8 din912
13	0211 1404 03	8	CAP SCREW	MC6S 12 x 45 8.8
14	0291 1128 22	4	LOCK NUT	M12
15	0301 2405 00	12	WASHER	BRB 25 x 45 x 4
16	0301 2358 00	4	WASHER	BRB 13 x 24 x 2

Rotation Unit

Rotationseinheit / Rotationsenhet / Unit  de rotation / Unidade de rota o / Testa di rotazione /

3719 0040 93



Rotation Unit

Rotationseinheit / Rotationsenhet / Unité de rotation / Unidade de rotação / Testa di rotazione /

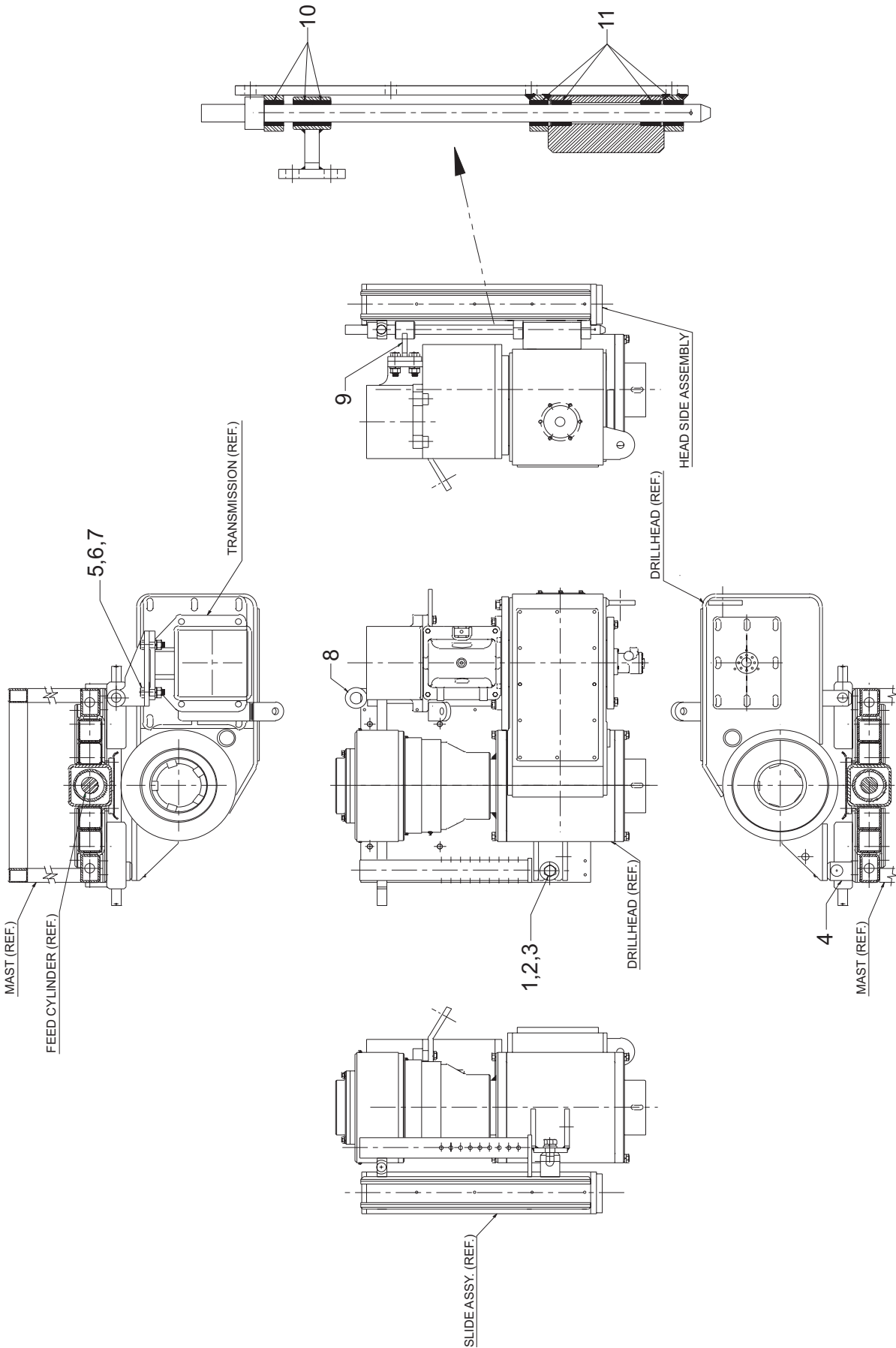
3719 0040 93

Ref. No.	Part No.	Cross ref No.	Qty.	Description	Notes
-	3760 0129 47		1	ROTATION UNIT CS/WITHOUT HYD.M	
2	3719 0040 35		1	HYDRAULIC MOTOR	80CC V V12
3	0211 5367 00		4	CAP SCREW	1/2"UNC x 51
4	3176 6535 00		1	NIPPLE	JIC 1.1/16 X UNF 7/8
5	3715 0589 00		1	ELBOW	UN 1 1/16 x 1 1/16
6	3176 6505 00		1	NIPPLE	UN 1 1/16 x 7/8
7	3176 8490 00		1	NIPPLE	UN 7/8" x R 1/2"
8	3742 1278 00		1	COUNT.PRESS.VALVE	
9	3176 6516 00		1	NIPPLE	R 1/2-UN 1 1/16

Rotation Unit, mounting parts

Rotationseinheit / Rotationsenhet / Unité de rotation / Unidade de rotação / Testa di rotazione /

3760 0045 96



Rotation Unit, mounting parts

Rotationseinheit / Rotationsenhet / Unité de rotation / Unidade de rotação / Testa di rotazione /

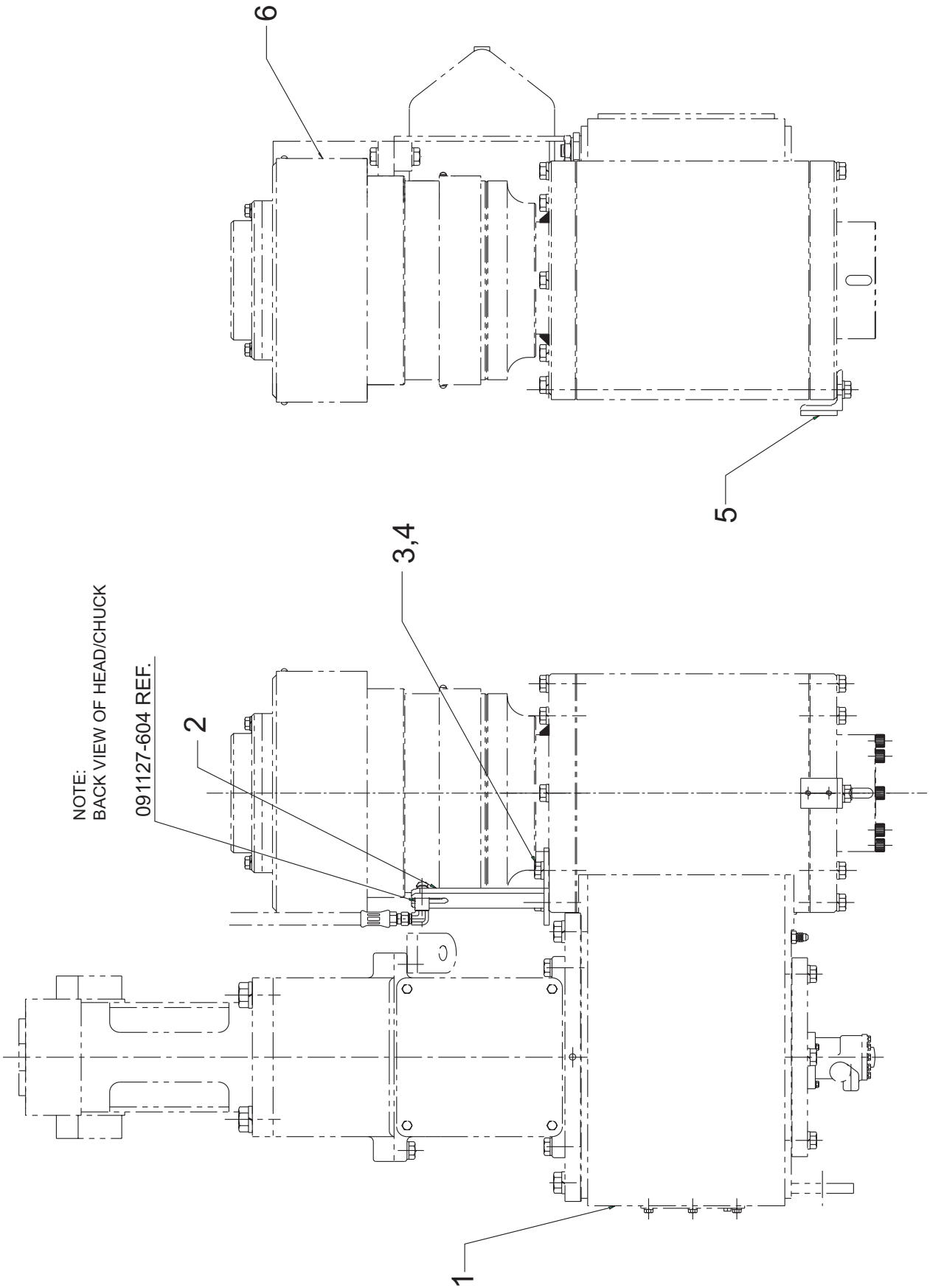
3760 0045 96

Ref. No.	Part No.	Cross ref No.	Qty.	Description	Notes
1		5119103	1	HHCS 3/4-10UNC X 1 3/4 LG	
2		5180512	1	REGULAR LOCKWASHER	3/4
3		5180212	1	FLAT REGULAR WASHER	3/4
4		164015-0	1	PIN HEAD MOUNT	
5		5117003	4	HHCS 5/8-11UNC X 1 1/2 LG	
6		5173010	4	HEX NUT 5/8-11UNC	
7		5180510	4	REGULAR LOCKWASHER	5/8
8		364029-0	1	ASSY HEAD MOUNT PIN	
9		362876-0	1	SUPPORT TRANSMISSION	
10		091454-2	3	BUSHING PRESSFIT	1.375OD
11	3760 0045 06		4	FLANGED BUSHING	

Rotation Unit

Rotationseinheit / Rotationsenhet / Unité de rotation / Unidade de rotação / Testa di rotazione /

3760 0043 08



Rotation Unit

Rotationseinheit / Rotationsenhet / Unité de rotation / Unidade de rotação / Testa di rotazione /

3760 0043 08

Ref. No.	Part No.	Cross ref No.	Qty.	Description	Notes
LUBRICATION SYSTEM P HEAD					
1	3760 0032 18	025161-105	1	DRILL HEAD ASSY P	
2		362931-0	1	ANCHOR CHUCK"P"CHUCK"P"HD	
3		090214-242	2	BOLT HEX HD 1/2-13X2-3/4	
4		5180508	2	REGULAR LOCKWASHER - 1/2.....	
5		364610-0	1	DRILLHD/SLIDEPAN	
6		025295-1	1	CHUCK "4-5/8", AUTOMATIC	

Rotation Unit - Lubrication system

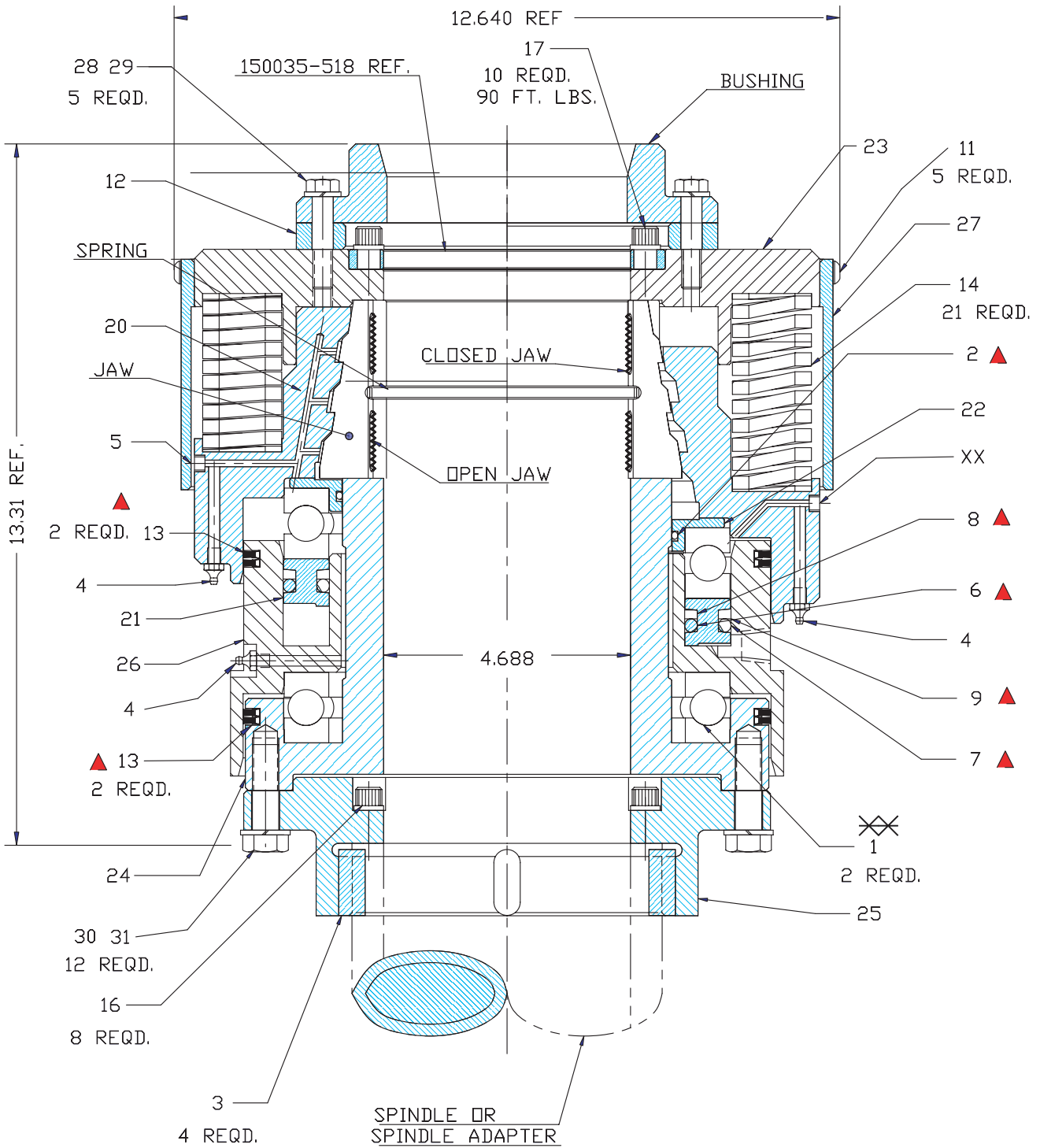
Rotationseinheit / Rotationsenhet / Unité de rotation / Unidade de rotação / Testa di rotazione /

3760 0046 44

Ref. No.	Part No.	Cross ref No.	Qty.	Description	Notes
	3760 0071 61	025038-45	1	FILTER ASSY.....	
	3760 0073 22	025038-54	1	STRAINER INLINE SUCTION.....	
	0570 5090 58	570509058	1	90 ELBOW - O RING-4/JIC-8	
		090223-259	2	CAPSCREW SOC HD 1/2-13X	
	3760 0071 78	160606-0	4	TRANSPARENT TUBING 1/2 ID.....	
	3760 0071 78	160606-0	12	TRANSPARENT TUBING 1/2 ID.....	
	3760 0033 34	163062-0	1	MOUNT FILTER.....	
	3760 0033 73	363449-0	1	BLOCK DRILLHEAD OILER.....	
	3760 0073 23	364335-0	1	OIL TUBE TRANS. ADDAPTER	
	3760 0046 52		4	STRAIT FEM JIC-8 TO BARB.....	
	0144 3206 03	5101403	2	HHCS 1/4-20 UNC X 3/4 LG.....	
	0144 3285 03	5103403	2	HHCS 3/8-16 UNC X 3/4 LG.....	
	0268 3204 00	5170608	2	HN 1/2-13 UNC	
	5530 7032 00	5180504	2	REGULAR LOCKWASHER	1/4
	5530 7029 00	5180506	2	REGULAR LOCKWASHER	3/8
	5530 7028 00	5180508	2	REGULAR LOCKWASHER	1/2
	0570 5010 21	5290200	1	ADAPTER - NPT-2/JIC-4	
	3176 2786 00	5290209	1	ADAPTER - NPT-8/JIC-8	
	3176 1508 00	5290210	1	ADAPTER - NPT-8/JIC-10	
	0570 5010 00	5290221	1	ADAPTER - NPT-12/JIC-10	
	0570 5010 21	5290223	1	ADAPTER - NPT-12/JIC-8	
	0570 5090 01	5290302	1	90 ELBOW - NPT-4/JIC-4	
	3176 0062 00	5290308	2	90 ELBOW - NPT-6/JIC-8	
	0570 5090 08	5290321	1	90 ELBOW NPT-12/JIC-8	
	0570 5090 12	5290402	1	ELBOW 45 - NPT-4/JIC-4	
	3176 0167 00	5290408	2	ELBOW 45 - NPT-6/JIC-8	
	5500 4867 00	5290511	4	90 ELBOW - O RING-4/JIC-4	
	3760 0073 24	5290650	1	90 ELBOW - NPT-12/NPT-8	
	3760 0073 25	5292000	5	CRIMP HOSE END 4-4 STR.....	
	3760 0072 67	5292004	1	STRAIGHT JIC SWIVEL	
	3760 0072 69	5292006	3	STRAIGHT JIC SWIVEL	
	3760 0073 26	5292008	2	STRAIGHT JIC SWIVEL	
	3760 0073 27	5292017	3	90 DEG. ELBOW	
	3760 0073 28	5292020	1	90 JIC SWIVEL	
	3760 0073 29	5292037	3	STRAIGHT MALE NPTF	
	0573 0100 01	6784600	11	HOSE 100R1AT 1/4 ID	
	0573 0100 01	6784600	15	HOSE 100R1AT 1/4 ID	
	0573 0100 01	6784600	22	HOSE 100R1AT 1/4 ID	
	0573 0100 01	6784600	28	HOSE 100R1AT 1/4 ID	
	0573 0100 01	6784600	29	HOSE 100R1AT 1/4 ID	
	0573 0100 01	6784600	33	HOSE 100R1AT 1/4 ID	
	0573 0100 02	6784602	8,5	HOSE 100R1AT 1/2 ID	
	0573 0100 02	6784602	24	HOSE 100R1AT 1/2 ID	
	0573 0100 03	6784630	17	HOSE 100 RIAT 5/8' ID.....	
	3760 0073 30	7500346	2	1/8" NPT BREATHER PLUG	

Rotation Unit - Chuck Assembly

Rotationseinheit / Rotationsenhet / Unité de rotation / Unidade de rotação / Testa di rotazione /



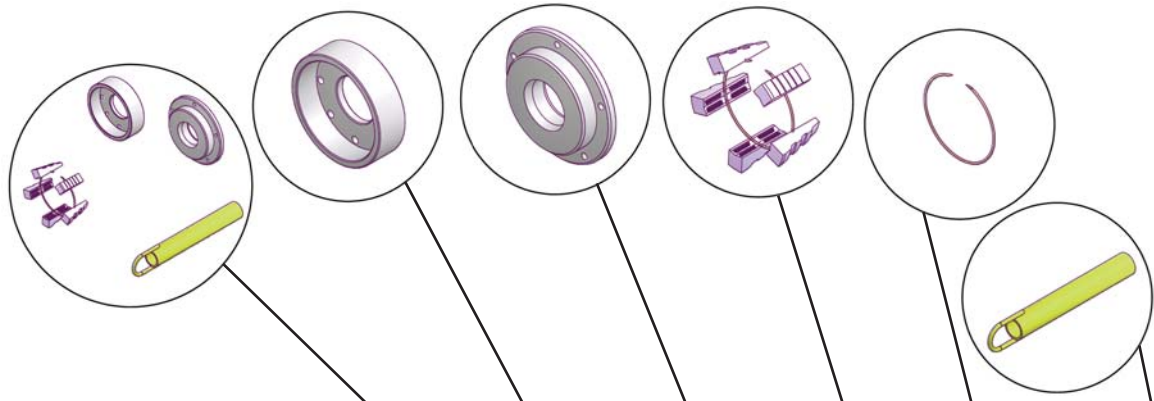
Rotation Unit - Chuck Assembly

Rotationseinheit / Rotationsenhet / Unité de rotation / Unidade de rotação / Testa di rotazione /

Ref. No.	Part No.	Cross ref No.	Qty.	Description	Notes
▲ 1	3760 0071 86	090000-2	2	BEARING THRUST BALL	
2	3760 0071 85	090108-259	1	O-RING	
3	0337 0009 70	090204-46	4	KEY SQ 1/2 X 1 1/4" LG	
4		5200812	3	1/4" GREASE FITTING	
5		090406-16	1	SET SCREW	
▲ 6	3760 0071 83	090759-440	1	O-RING TEFLON	
▲ 7	3760 0071 81	090759-445	1	O-RING TEFLON	
▲ 8	3760 0071 84	090798-440	1	BACK-UP RING	
▲ 9	3760 0071 82	090798-445	1	BACK-UP RING	
10	0570 5090 33	091127-604	1	EXTRA LONG 90 ELBOW MALE	
11	3760 0073 18	091289-3	5	CAPSCREW BUTTON HD 1/4.	
12	3760 0073 19	150035-456	1	SPACER	
▲ 13	3760 0073 20	150045-148	4	SEAL BRUSH HYD CHUCK	
14	3760 0071 87	150079-101	21	SPRING COMPRESSION	
15	3760 0032 79	150157-509	1	NAMEPLATE CAUTION CHUCK	
16	3760 0033 08	154397-17	8	BOLT SPECIAL	
17	3760 0033 09	154397-18	10	BOLT SPECIAL	
18	3760 0071 91	155510-3	1	SOCKET 7/16 12PT 1/2 SQUARE DRIVE	
19	3760 0073 21	156440-3	1	BRUSH FLUE JAW CLEANING	
20	3760 0033 13	160943-0	1	BOWL CHUCK	
21	3760 0033 14	160947-0	1	PISTON HYD CHUCK	
22	3760 0033 15	162311-0	1	RETAINER SEAL	
23	3760 0033 16	162313-0	1	PLATE TOP	
24	3760 0033 41	164280-0	1	BASE 4-5/8 CHUCK "P" HEAD	
25	3760 0033 42	164281-0	1	PLATE ADAPTER 4-5/8 CHUCK	
26		164287-0	1	CYLINDER 4-5/8 CHUCK "P" HEAD	
27	3760 0033 45	164375-0	1	GUARD SPRING 4-5/8 CHUCK	
28	5530 7029 00	5113003	5	HHCS 3/8-16 UNC X 1 1/2" LG	
29	5530 7029 00	5180506	5	REGULAR LOCKWASHER	3/8
30	5530 7028 00	5115136	12	HHCS 1/2-20UNF X 1 3/4" LG	
31	5530 7028 00	5180508	12	REGULAR LOCKWASHER	1/2
		090740-32	1	PIPE THD ONE END 1/4 X 21" LG	
	3760 0054 07		1	CHUCK ANTI-TORQUE KIT	
	0686 3115 22	5200128	1	1/4 SOCKET PIPE PLUG - DRY	
	3760 0073 31	5201076	1	1/4" NPT COUPLING	

Available kits

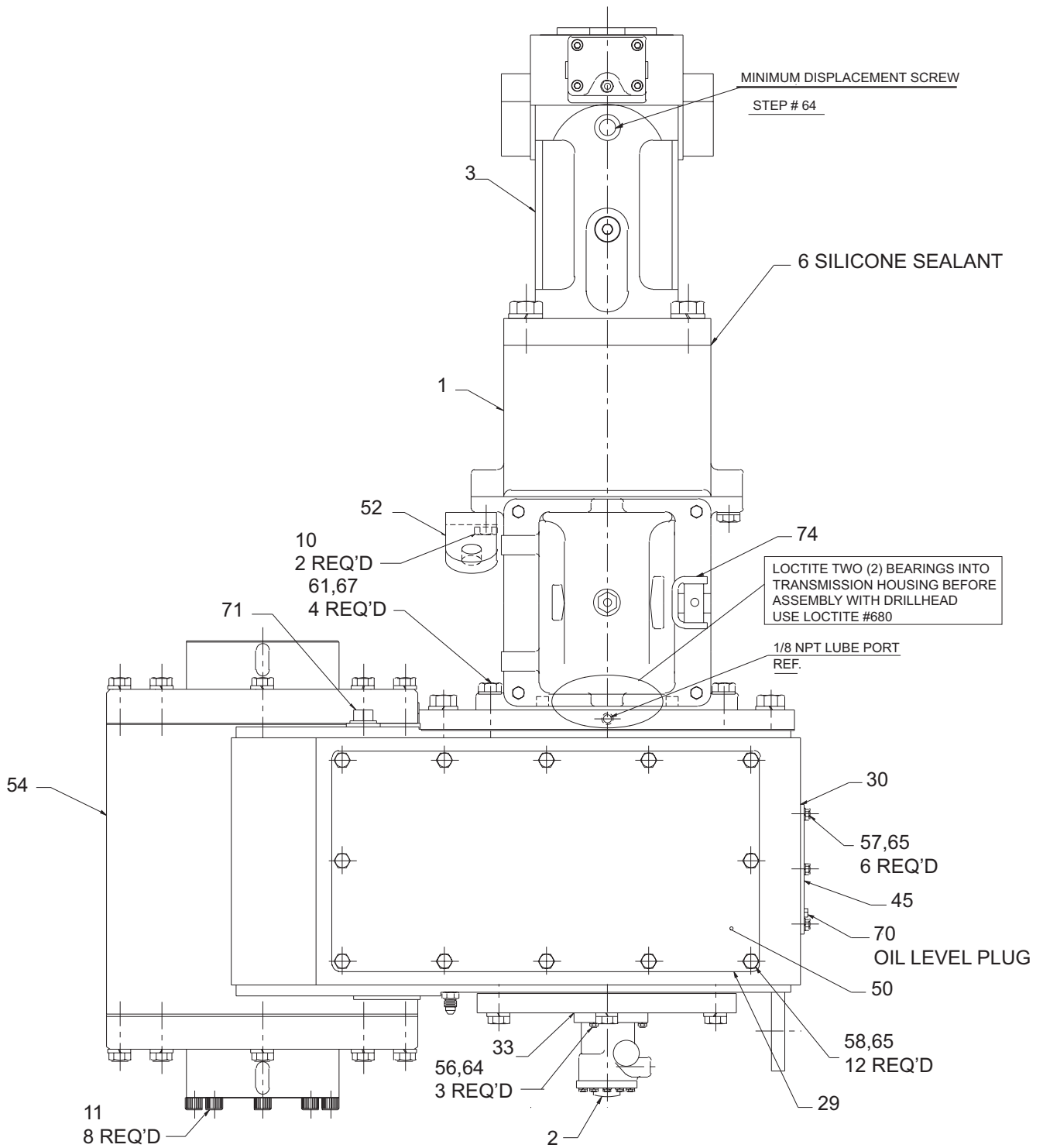
▲ 3760 0072 92	Chuck Rebuild kit (Overhauling kit)
3760 0071 80	Seal kit (Field kit)



Rod size	Rod Diameter		Jaw and Bushing kit No.	Spindle Bushing kit No.	Chuch Bushing No.	Jaw set No.	Jaw Spring No.	Lifting bail
	(in)	(mm)						
BQ/BT	2,188	55,58	3760 0071 33	3760 0073 48	3760 0073 54	3760 0073 60	3760 0071 88	3760 0073 68
NQ/NT	2,75	69,85	3760 0071 35	3760 0073 49	3760 0073 55	3760 0073 61	3760 0071 90	3760 0073 69
BW Casing	2,875	73,02	3760 0073 66	3760 0073 50	3760 0073 56	3760 0073 62	3760 0071 90	3760 0073 70
HQ/HT and NW Casing	3,5	88,9	3760 0032 25	3760 0073 51	3760 0073 57	3760 0033 50	3760 0032 73	3760 0033 49
PQ/PT and HW Casing	4,5	114,3	3760 0071 37	3760 0073 52	3760 0073 58	3760 0073 63	3760 0071 89	3760 0073 71
PG	4,625	117,5	3760 0073 67	3760 0073 53	3760 0073 59	3760 0073 64	3760 0071 89	3760 0073 72

Rotation Unit - Drill head "P"

Rotationseinheit / Rotationsenhet / Unité de rotation / Unidade de rotação / Testa di rotazione /



Rotation Unit - Drill head "P"

Rotationseinheit / Rotationsenhet / Unité de rotation / Unidade de rotação / Testa di rotazione /

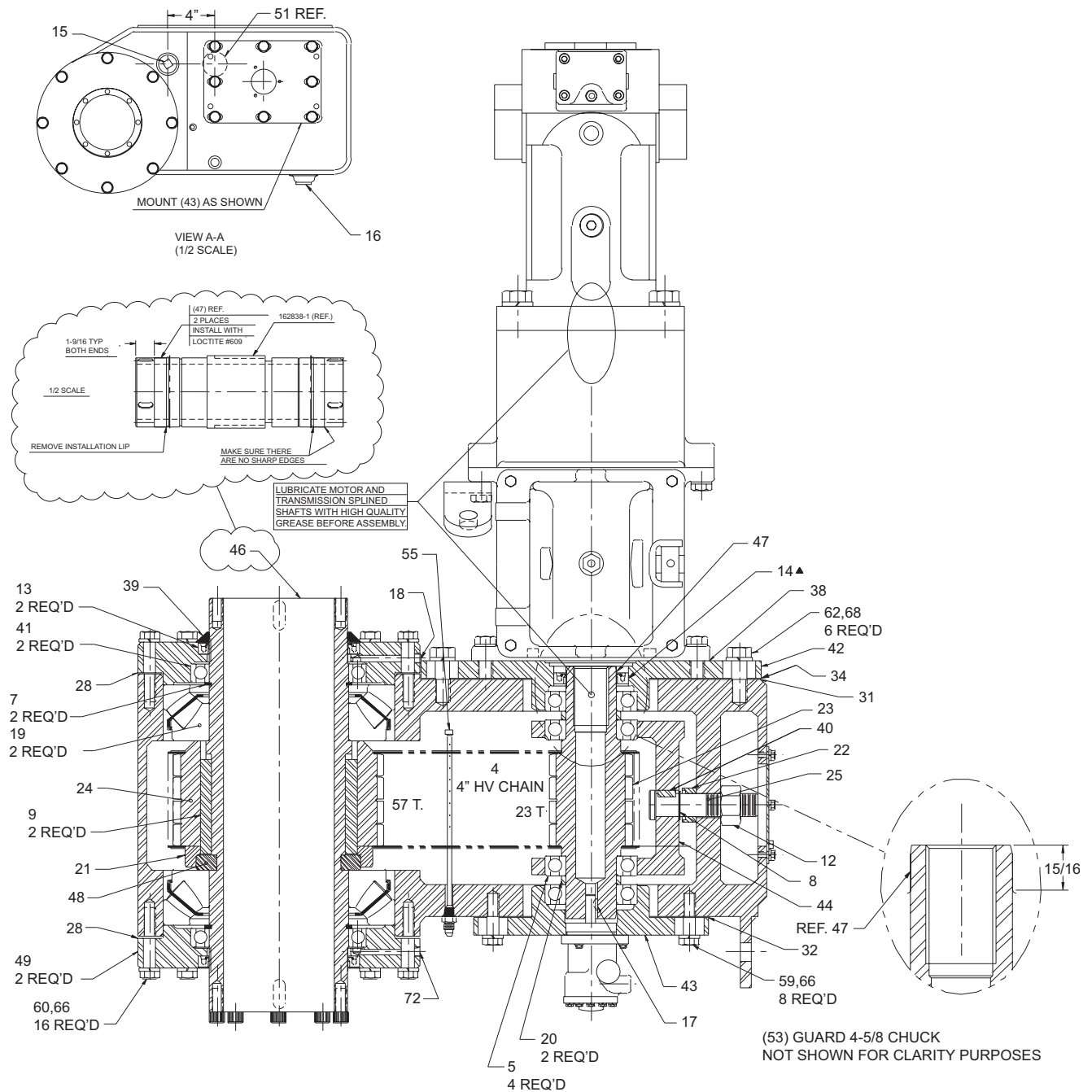
Ref. No.	Part No.	Cross ref No.	Qty.	Description	Notes
1	3760 0031 97	025001-65	1	TRANS ASSY FUNK SAE C.....	
2	3760 0032 01	025014-107	1	HYD PUMP ASSY HEAD LUBE	
3	3719 0040 35		1	HYD MOTOR ASSY ROTATION	
6		090108-250	1	O RING. . .	
10		090214-210	2	BOLT HEX HD 9/16-12 X 2	
11		090248-152	8	CAPSCREW SOC HD 7/16-20	
29	3760 0032 99	151174-111	1	GASKET FRONT COVER	
30	3760 0033 00	151174-112	1	GASKET SIDE COVER	
33	3760 0073 10	151174-115	1	GASKET PUMP.....	
45	3760 0033 22	162833-0	1	COVER SIDE	
50	3760 0033 26	162847-0	1	COVER FRONT	
52	3760 0033 31	162991-0	1	EAR LIFTING TRANSMISSION.....	
54	3760 0033 61	362926-0	1	HOUSING FINAL WELDMENT.....	
56	0144 3208 03	5101603	3	HHCS 1/4-20 UNC X 1 LG	
57	0144 3285 03	5103403	8	HHCS 3/8-16 UNC X 3/4 LG.....	
58	0144 3287 03	5103603	12	HHCS 3/8-16 UNC X 1 LG	
61	0144 3404 03	5116003	4	HHCS 9/16-12 UNC X 1 1/2 LG	
64	5530 7032 00	5180504	3	REGULAR LOCKWASHER	1/4
65	5530 7029 00	5180506	18	REGULAR LOCKWASHER	3/8
70	0686 3115 06	5200078	1	STEEL PIPE PLUG	1/2 NPT
71	5530 7892 00	5200080	1	3/4 SQUARE HEAD PIPE PLUG	
74	3760 0053 06		1	MODIFIED SHIFT LEVER	

Available kits

3760 0071 28	Shim kit	(Field kit)
3760 0071 70	Seal kit	(Field kit)
3760 0072 91	Rebuild kit	(Overhaul kit)

Rotation Unit - Drill head "P"

Rotationseinheit / Rotationsenhet / Unité de rotation / Unidade de rotação / Testa di rotazione /



▲ SERVICE IN SEAL KIT 041040-42

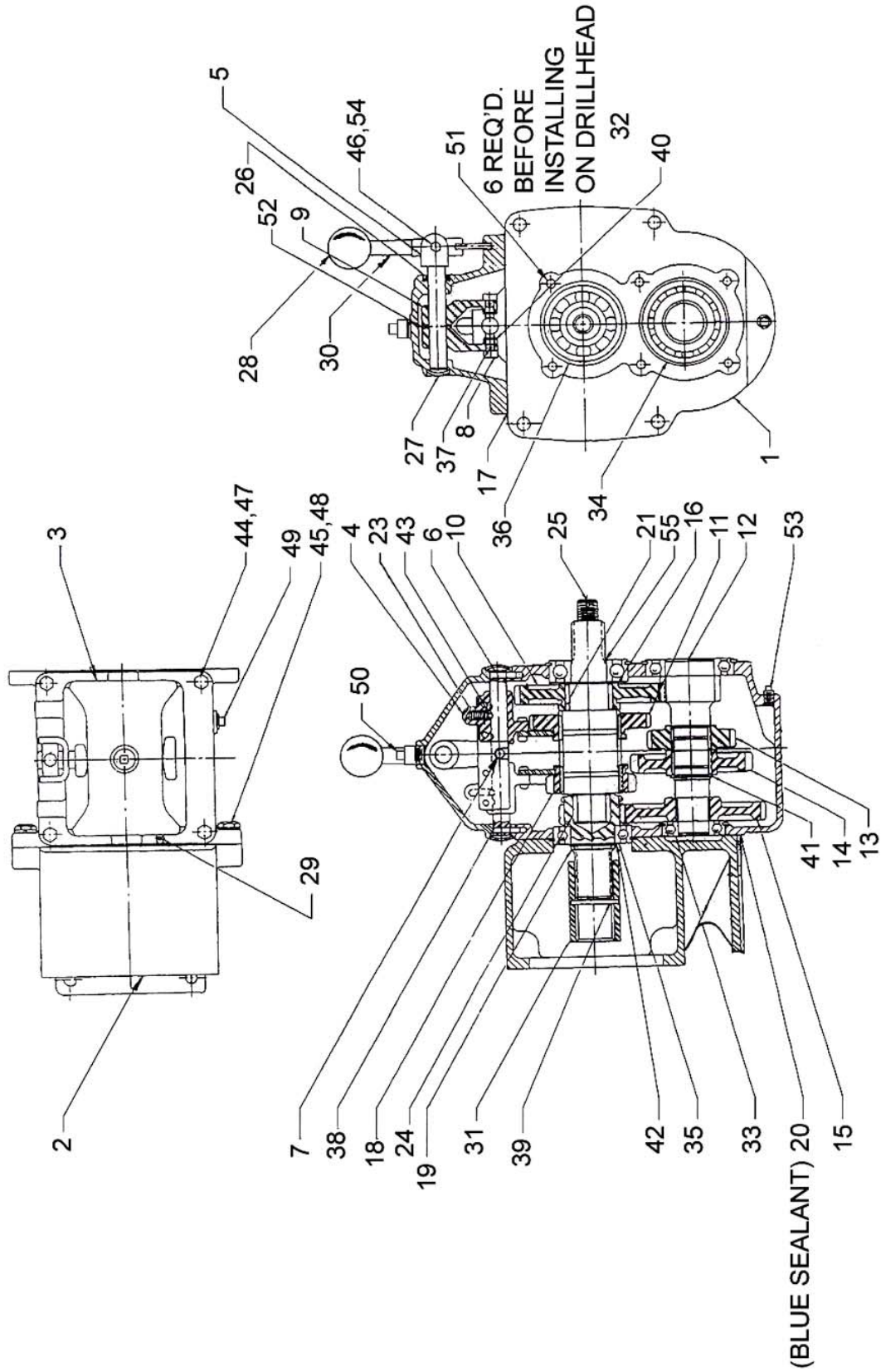
Rotation Unit - Drill head "P"

Rotationseinheit / Rotationsenhet / Unité de rotation / Unidade de rotação / Testa di rotazione /

Ref. No.	Part No.	Cross ref No.	Qty.	Description	Notes
4	3760 0032 22	025287-8	1	HV CHAIN 1/2 PI X 4"WD X 96 PI LG	
5	3760 0071 75	090013-211	4	BEARING	
7	0335 1104 23	090202-600	2	RETAINING RING	
8	0335 1104 24	090203-98	1	RETAINING RING HVY DUTY	
9	0337 0009 67	090205-566	2	KEY SQ 1/2 X 1/2 X 4-1/4LG	
12		090356-9	1	LOCKNUT BOWNA GRIP 1"-8NC	
13	3760 0073 12	090363-424	2	OIL SEAL 5-7/8IDX6-7/8ODX1/2WD	
14	0666 6000 55	090365-203	1	OIL SEAL C/R 21668	
15	3760 0073 13	090790-7	1	PLUG PIPE MAGNETIC 1-1/4 NPT.....	
16	3760 0073 14	090791-5	1	PLUG PIPE MAGNETIC 3/4 NPT	
17	3760 0071 77	090796-3	1	KEY WOODRUFF #404.....	
18		091233-16	1	PLUG PIPE INTERNAL SOC 1/8 NPT	
19	3760 0071 74	091578-1	2	BEARING SPHER ROLLER THRUST	
20	3760 0073 05	150035-481	2	SPACER.....	
21	3760 0073 06	150035-500	1	SPACER SPINDLE SPROCKET.....	
22	3760 0073 07	150035-505	1	SPACER STOP.....	
23	3760 0073 08	150040-222	1	SPROCKET "HV" CHAIN 23T	
24	3760 0073 09	150040-223	1	SPROCKET "HV" CHAIN 57 T.....	
25	3760 0032 94	150270-180	1	PIN TENSIONER	
26		151174-108	2	GASKET .015 THK (AS REQ'D).....	
27		151174-109	2	GASKET .032 THK (AS REQ'D).....	
28	3760 0032 98	151174-110	2	GASKET .062 THK	
31	3760 0033 01	151174-113	1	GASKET TRANSMISSION MOUNT	
32	3760 0033 02	151174-114	1	GASKET PUMP MOUNT	
34	3760 0033 03	151174-117	2	GASKET .032 PLASTIC TRAN MOUNT.....	
35	3760 0033 04	151174-118	4	GASKET .002 STEEL (AS REQ'D)	
36	3760 0033 05	151174-119	2	GASKET .005 STEEL (AS REQ'D)	
37	3760 0033 06	151174-120	2	GASKET .010 STEEL (AS REQ'D)	
38	3760 0033 07	151174-122	1	GASKET .062 THK	
39	3760 0073 15	155971-9	1	SEAL EXCLUDER 5.865X7.375X.231.....	
40	0337 0009 68	162614-4	1	KEY SQUARE 1/4 X 1/4 X 3/4LG	
41	3760 0071 73	162764-2	2	BEARING ROLLER THIN SECTION	
42	3760 0033 19	162829-0	1	MOUNT TRANSMISSION	
43	3760 0033 20	162830-0	1	MOUNT LUBRICATION PUMP	
44	3760 0033 21	162832-0	1	HOUSING TENSIONER MACHINING CS	
46	3760 0033 23	162838-0	1	SPINDLE F/CS1500.....	
47	3760 0071 72	162839-2	1	SPEEDI SLEEVE 55.00MM GOLD	
48	3760 0033 24	162840-0	1	RING SPLIT	
49	3760 0033 25	162843-0	2	CAP	
51				
53	3760 0033 47	164430-0	1	GUARD 4 5/8 CHUCK	
55	3760 0033 74	363666-0	1	TUBE DRILLHEAD OIL 4" CHAIN.....	
59	0144 3365 03	5115003	8	HHCS 1/2-13 UNC X 1 1/2 LG	
60	0144 4002 06	5115303	16	HHCS 1/2-13 UNC X 2 1/4 LG	
62	0144 3448 03	5117103	6	HHCS 5/8-11 UNC X 1 3/4 LG	
66	5530 7028 00	5180508	24	REGULAR LOCKWASHER	1/2
68		5180510	6	REGULAR LOCKWASHER	5/8
72	0686 3116 01	5200125	1	1/8 SOCKET PIPE PLUG - DRY.....	
73	5503 7225 00	5291026	1	PLUG - O-RING - 16	

Rotation Unit - Transmission

Rotationseinheit / Rotationsenhet / Unité de rotation / Unidade de rotação / Testa di rotazione /



Rotation Unit - Transmission

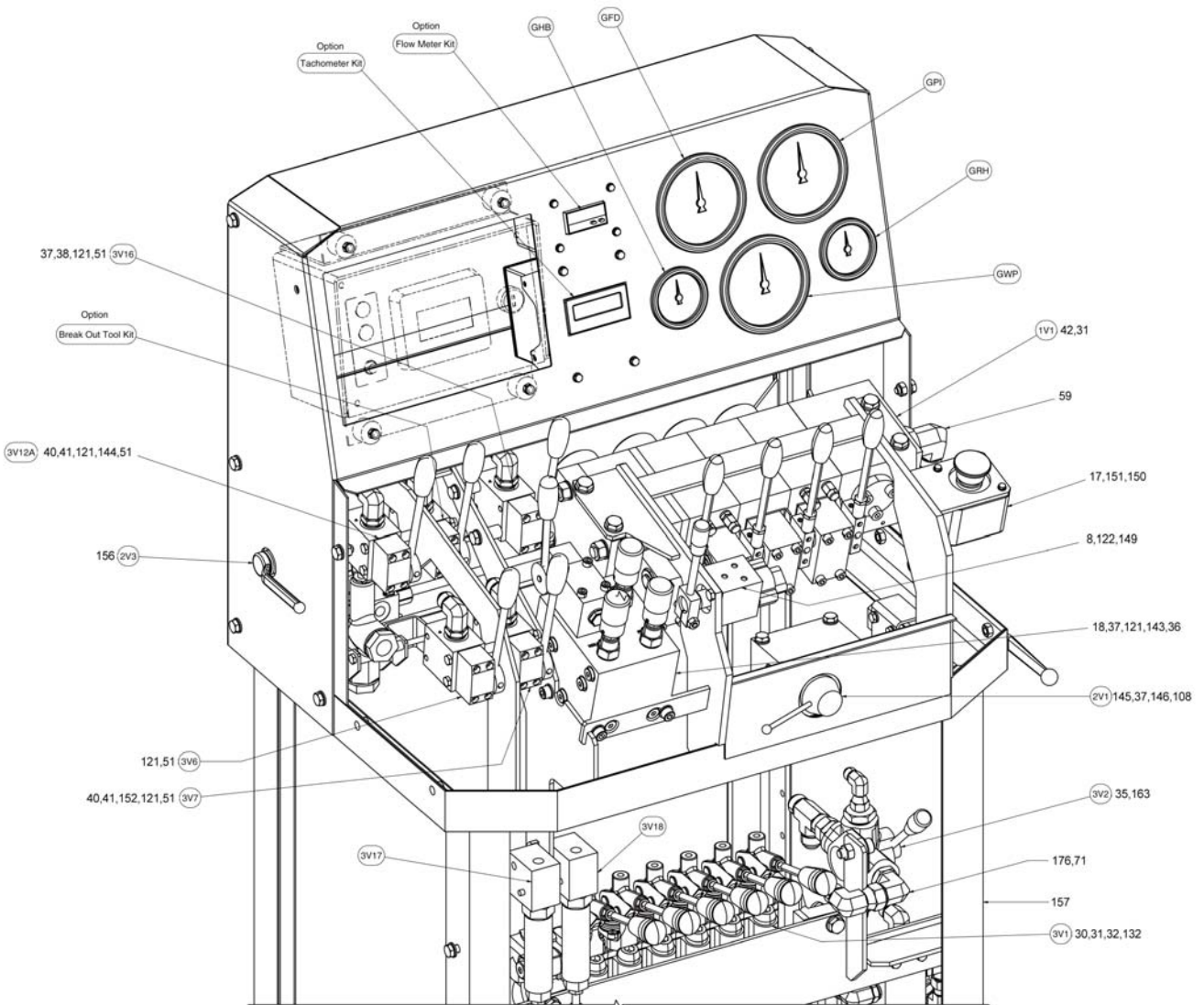
Rotationseinheit / Rotationsenhet / Unité de rotation / Unidade de rotação / Testa di rotazione /

Ref. No.	Part No.	Cross ref No.	Qty.	Description	Notes
1	3760 0070 92	154000-0	1	CASE, TRANSMISSION	
2	3760 0070 93	160303-5	1	ADAPTER SAE "C"	
3	3760 0070 94	154002-1	1	CAP	
4	3760 0070 95	154003-0	2	FORK ASSY.	
5	3760 0070 96	154004-0	1	LEVER, SHAFT TRANS ASSY	
6	3760 0070 97	154005-0	1	RAIL, SHIFT	
7	3760 0070 98	154006-0	1	PIN, INHIBITER	
8	3760 0070 99	154007-0	2	PIN, LEVER	
9	3760 0071 00	154008-0	1	LEVER, INSIDE	
10	3760 0071 01	154010-0	1	GEAR, MAIN SHAFT LO.	
11	3760 0071 02	154011-0	1	GEAR, MAIN SHAFT 2ND	
12	3760 0071 03	154014-0	1	GEAR, COUNTER LO	
13	3760 0071 04	154015-0	1	GEAR, COUNTER 2ND	
14	3760 0071 05	154016-0	1	GEAR, COUNTER 3RD	
15	3760 0071 06	154017-0	1	GEAR, COUNTER DRIVEN	
16	3760 0071 07	154018-0	1	WASHER, LOWER GEAR #2	
17	3760 0071 08	154021-0	1	GASKET, CAP	
18	3760 0071 09	158916-1	1	GEAR, MAIN SHAFT 3RD	
19	3760 0071 10	158916-2	1	GEAR, SHAFT INPUT	
20	3760 0071 11	158916-3	1	GASKET, FRONT.	
21	3760 0071 12	158916-5	1	KIT, NEEDLE ROLLER BRG - 39 PCS.	
22	3760 0071 13	158916-3	1	MAIN SHAFT, SPLD W/ FUNK TRANS	
23	3760 0071 14	158916-7	2	SPRING, DETENT	
24	3760 0071 15	158916-10	1	NEEDLE BEARING	
25	3760 0071 16	163692-9	1	MODIFIED TRANS. SHAFT	
26	3760 0071 17	154101-0	1	SEAL, OIL	
27	3760 0071 18	154102-0	3	PLUG, FREEZE	
28	3760 0071 19	154103-0	1	KNOB, LEVER	
29	3760 0071 20	154106-0	1	BREATHER	
30	3760 0053 06		1	MODIFIED SHIFT LEVER	
31	3760 0071 21	164356-0	1	COUPLING TRAN/MTR/CS1000.	
32	3760 0071 22	091034-0	1	LOCTITE, 272 HIGH STR THD LOCK	
33	3760 0071 23	090004-207	1	BEARING	
34	3760 0071 24	090016-211	1	BEARING	
35	3760 0073 32	090017-210	1	BEARING	
36	3760 0071 25	090028-308	1	BEARING	
37	5530 7750 00	090107-160	2	ROLL PIN 3/16 X 1	
38	0108 1103 01	090107-201	2	ROLL PIN 1/4 X 1 3/8	
39	5530 8326 00	090107-266	1	ROLL PIN 1/4 X 2	
40	0335 1104 25	5051037	2	RETAINING RING	
41	0335 1104 26	5051162	1	RETAINING RING	
42	0335 1104 27	5051196	1	RING, RETAINING.	
43	0517 1116 00	090212-10	2	BALL, STL 3/8 DIA	
44	0144 2200 00	5103603	6	BOLT, HEX HD 3/8-16 X 1	
45	0144 3404 03	5116003	5	HEX HD BOLT 9/16-12 X 1 1/2.	
46	5530 6040 00	5113430	1	BOLT, HEX HD 3/8-24 X 2-1/2 LG	
47	5530 7029 00	5180506	4	LOCKWASHER, STD 3/8.	
48	5530 7049 00	5180509	5	LOCKWASHER, STD 9/16.	
49	0686 3115 02	090393-3	1	PLUG - 3/8 PIPE 7/16 EXT HEX	
50	0686 3115 06	5200078	1	PLUG - 1/2 PIPE 9/16 EXT HEX	
51	5530 7382 00	090405-51	6	SCREW, SOC SET-3/8-24 X 3/4 LG	
52	0113 4615 19	090772-12	1	PIN, YOKE	
53	3760 0073 38	090790-2	1	PLUG, MAGNETIC PIPE 1/4 NPT.	
54	0292 1338 09	5171306	1	LOCKNUT, HEX 3/8-24 NF	
55	3760 0072 90		1	SNAP RING - TRUARC 5100-150.	

Control panel

Control panel / Kontrollpanel / Schaltpult / Tableau de commande / Panel de mandos / Painel de comando / Pannelo di controllo

3719 0025 70



Control panel

Control panel / Kontrollpanel / Schaltpult / Tableau de commande / Panel de mandos / Painel de comando / Pannelo di controllo

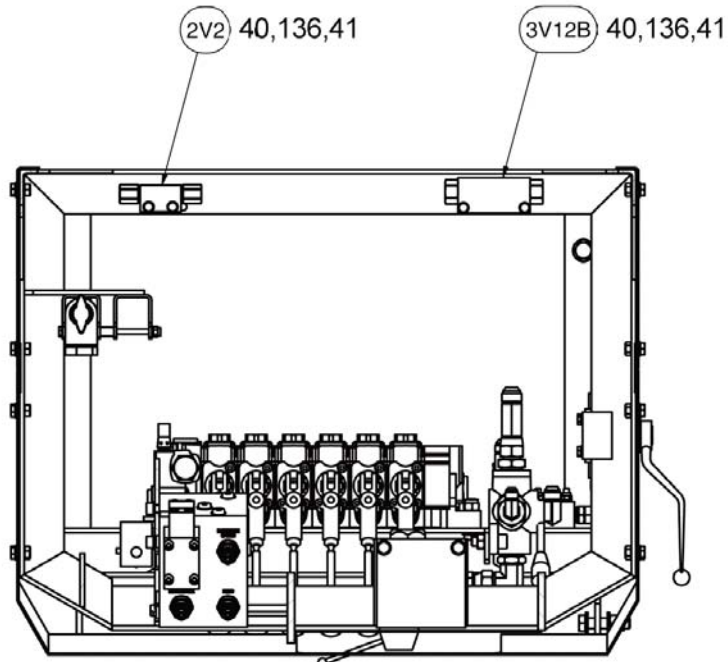
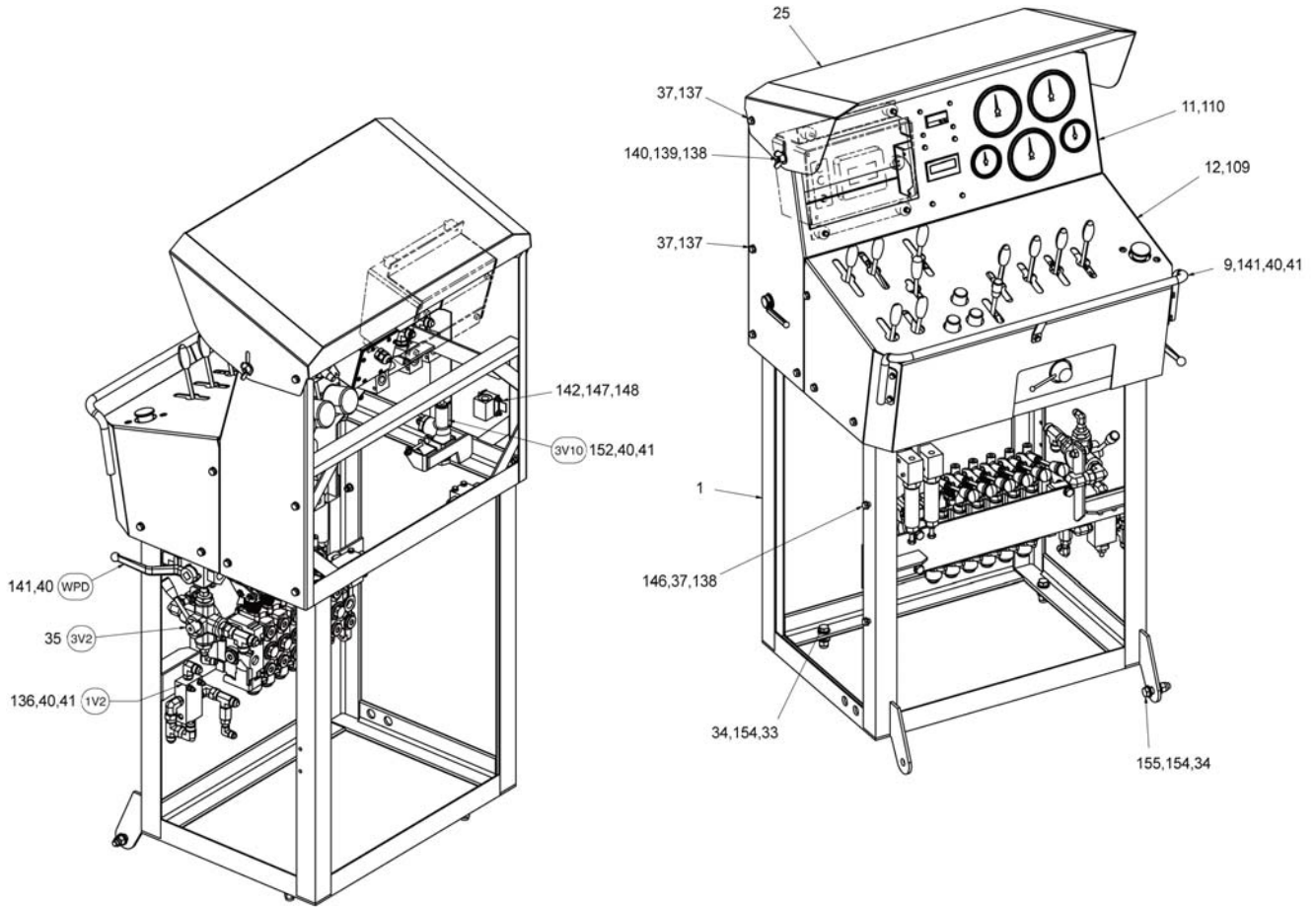
3719 0025 70

Ref. No.	Part No.	Qty.	Description	Notes
GFD	3719 0025 79	1	PRESSURE GAUGE	D100 0-80kN
GHB	3719 0025 78	1	PRESSURE GAUGE	D63 0-160kN
GPI	3176 6023 00	1	PRESSURE GAUGE	D100 0-400bar
GRH	3716 2090 00	1	PRESSURE GAUGE	D63 0-400bar
GWP	3716 3505 00	1	PRESSURE GAUGE	D100 0-160bar
1V1	3719 0025 51	1	VALVEBLOCK, MAIN	CS14/CT14
2V1	3719 0029 36	1	VALVE,PRESSURE COMP FLOW CTRL .	75 liter
2V3	3715 0590 00	1	BALL VALVE	3/8" KHB-G3/8-12/112-ZK-G
3V1	3719 0025 54	1	VALVE, POSITIONER	CS14
-	3719 0035 81	6	SEAL KIT, SECTION A & B SIDE	P70 VALVE
-	3222 3264 95	7	SEAL KIT, INTERSECTION SEAL KIT ...	P70 VALVE
-	3222 3264 90	1	MAIN RELIEF VALVE	
-	3128 2091 25	1	MAIN RELIEF VALVE, PILOT PART	
-	3222 3264 98	6	LEVER HOLDER KIT	P70
-	3222 3264 99	6	SPOOL ACTUATOR	P70
-	3718 0409 15	6	LEVER	P70
3V2	3719 0030 99	1	VALVE, SELECTOR 3 WAY	P. O. 3715886000
3V6	3719 0030 72	1	VALVE, 4/3 DETENT, MOTORSPOOL ...	
3V7	3719 0030 72	1	VALVE, 4/3 DETENT, MOTORSPOOL ...	
3V12A	3719 0029 93	1	VALVE, 4/3 SPRINGRET MOT.SPOOL ...	
3V16	3719 0029 92	1	VALVE, 4/3 DETENT, CYL.SPOOL	
3V17	3719 0035 23	1	VALVE, PRESSURE RED INC HOUSING.	
3V18	3719 0035 23	1	VALVE, PRESSURE RED INC HOUSING.	
-	3719 0030 87	1	CONTROL PANEL HOSE KIT	
8	3719 0030 52	1	RPM ADJUSTMENT	
8	3719 0030 53	1	CABLE-RPM ADJUSTMENT	
8	3719 0030 54	1	HOLDER-PM ADJUSTMENT	
17	3716 5564 00	1	EMERGENCY STOP	
18	3716 3639 00	3	KNOB	
30	0147 1365 03	3	SCREW	M6S 10 x 40
31	0301 2344 00	7	WASHER	10 BRB 10.5 x 20 x 2
32	0291 1111 00	3	LOCK NUT	M10 LM6M 6924-8
35	0211 1363 03	2	CAP SCREW	MC6S M10 x 30
36	0211 1323 03	4	CAP SCREW	MC6S M8 x 20
37	0301 2335 00	30	WASHER	8 BRB 8.4 x 16 x 1.6 SS
38	0147 1328 03	2	SCREW	M6S 8 x 40
40	0301 2321 00	24	WASHER	6 BRFB 6.4 x 12.5 x 1.5
41	0291 1108 00	15	LOCK NUT	M6 LM6M
42	0147 1359 03	4	SCREW	M10x16 FZB M6S 10 x 16 8.8 FZB
51	3176 6352 00	8	ELBOW	R 3/8" x UN 9/16"
59	3176 6569 00	1	ELBOW	R 1" x UN 1 5/16"
71	3176 6565 00	1	ELBOW	R 1/2" x UN 7/8"
108	3719 0008 44	1	DRILLW STICKER	MANUAL CONSOLE
121	3719 0030 73	5	LEVER	M8X125
122	3719 0030 74	1	LEVER	M6x100
143	0196 1203 00	3	SET SCREW	SK6SS M5 x 8
144	0147 1259 03	2	SCREW	M6S 6 x 75 FZB
145	0147 1334 03	2	SCREW	M6S 8 x 70 8.8 FZB
146	0291 1110 00	4	LOCK NUT	M8 LM6M
149	5530 5251 00	2	SCREW	UNF 1/4 28-25
150	0211 1179 03	2	CAP SCREW	M4x40
151	0301 2315 00	2	WASHER	BRB 4.3 x 9 FZB
152	0147 1266 03	3	SCREW	M6 X 110 FZB
157	-	1	
163	3719 0031 02	1	LEVER COMPLETE	
176	-	1	
-	3719 0031 39	1	Flow meter kit	
-	3716 6061 00	1	Tachometer kit	

Control panel

Control panel / Kontrollpanel / Schaltpult / Tableau de commande / Panel de mandos / Painel de comando / Pannelo di controllo

3719 0025 70



Control panel

Control panel / Kontrollpanel / Schaltpult / Tableau de commande / Panel de mandos / Painel de comando / Pannelo di controllo

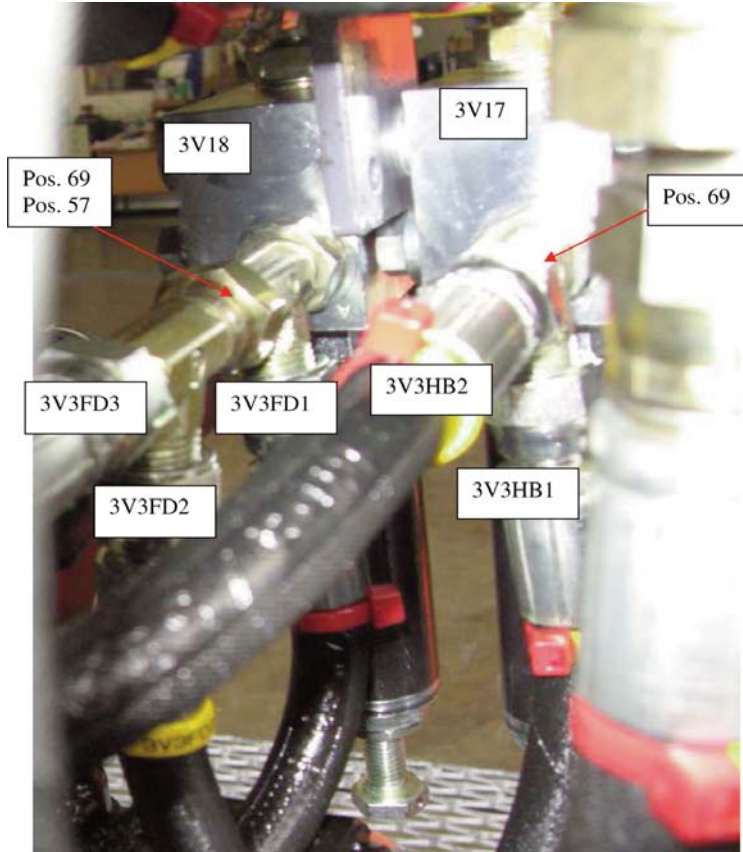
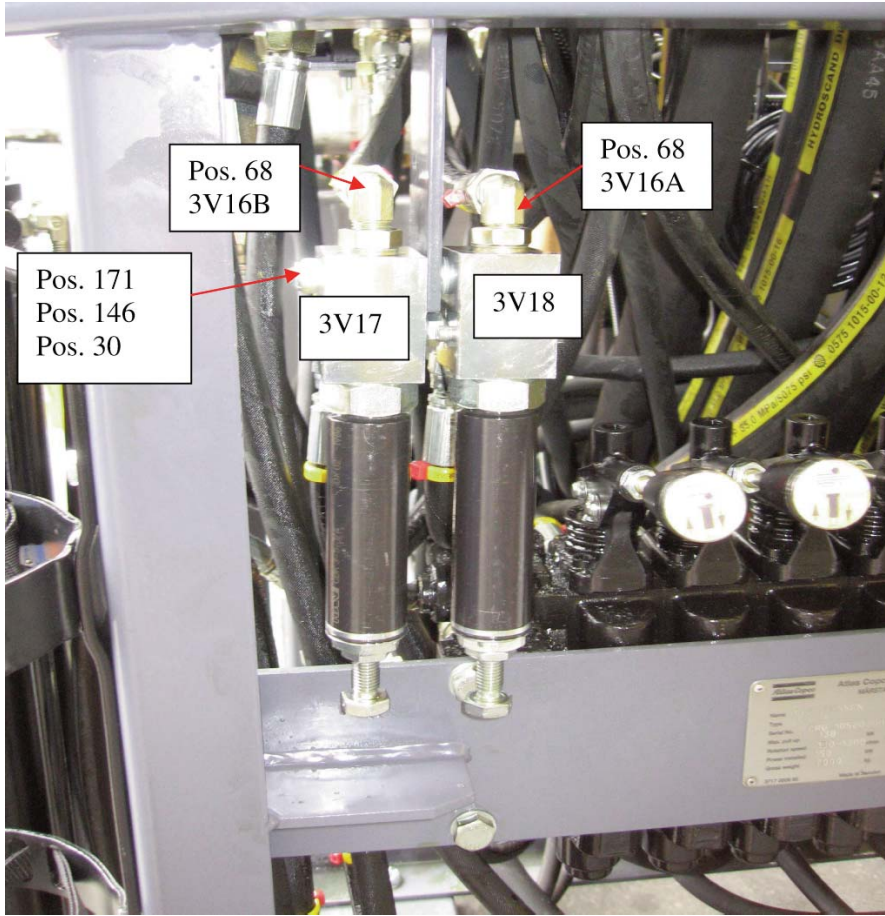
3719 0025 70

Ref. No.	Part No.	Qty.	Description	Notes
WPD	3719 0011 98	1	BALL VALVE	3/4"
1V2	3719 0032 98	1	VALVE, SEQUENCE PILOT.....	30BAR
2V2	8979 3311 40	1	VALVE, SHUTTLE FLOW PRIORITY VALVE	
3V2	3719 0034 77	1	VALVE, SELECTOR 4 - WAY	
3V10	3715 3880 80	1	VALVE, PRESSURE RELIEVING.....	
3V12B	3716 8020 00	1	VALVE, DUAL PILOT CHECK.....	
1	3719 0025 69	1	STAND CONTROL PANEL	
9	3719 0029 88	1	BRACKET.....	FOR CONTROL PANEL
11	3719 0025 67	1	INSTRUMENT PANEL	
12	3719 0025 68	1	CONTROL PANEL.....	
25	3719 0030 03	1	CAP	
33	0147 1403 03	2	SCREW	M6S 12 x 40
34	0291 1112 00	3	LOCK NUT.....	M12 LM6M DIN 985
35	0211 1363 03	2	CAP SCREW	MC6S M10 x 30
37	0301 2335 00	30	WASHER	8 BRB 8.4 x 16 x 1.6 SS
40	0301 2321 00	24	WASHER	6 BRFB 6.4 x 12.5 x 1.5
41	0291 1108 00	15	LOCK NUT	M6 LM6M
109	3719 0029 87	1	FUNCTION STICKER MANUAL PANEL .	
110	3719 0029 97	1	GUAGE STICKER MANUAL PANEL	
136	0147 1254 03	6	SCREW	M6x50 FZB M6S 6 x 50 FZB
137	0147 1322 03	14	SCREW	M8x16 FZB M6S 8 x 16
138	0147 1325 03	4	SCREW	M8X25 FZB M6S 8 x 25
139	0300 8019 00	2	PLAIN WASHER	8.4 x 24 x 2 11 1312
140	0296 1110 00	2	VING NUT	M 8
141	0147 1246 03	7	SCREW	M6x16 FZB M6S 6 x 16
142	0147 1215 03	2	SCREW	M6S 5 x 50
146	0291 1110 00	5	LOCK NUT	M8 LM6M
147	0291 1107 00	2	LOCK NUT	M5 LM6M
148	0301 2318 00	6	WASHER	5 5.3x10x1 FZB
152	0147 1266 03	3	SCREW	M6 X 110 FZB
154	0301 2358 00	6	WASHER	12 BRB 13 x 24 x 2.5
155	0147 1405 03	1	SCREW	M6S 12 x 50

Control panel, (Fitting kit)

Control panel / Kontrollpanel / Schaltpult / Tableau de commande / Panel de mandos / Painel de comando / Pannelo di controllo

3719 0025 70



Control panel

Control panel / Kontrollpanel / Schaltpult / Tableau de commande / Panel de mandos / Painel de comando / Pannelo di controllo

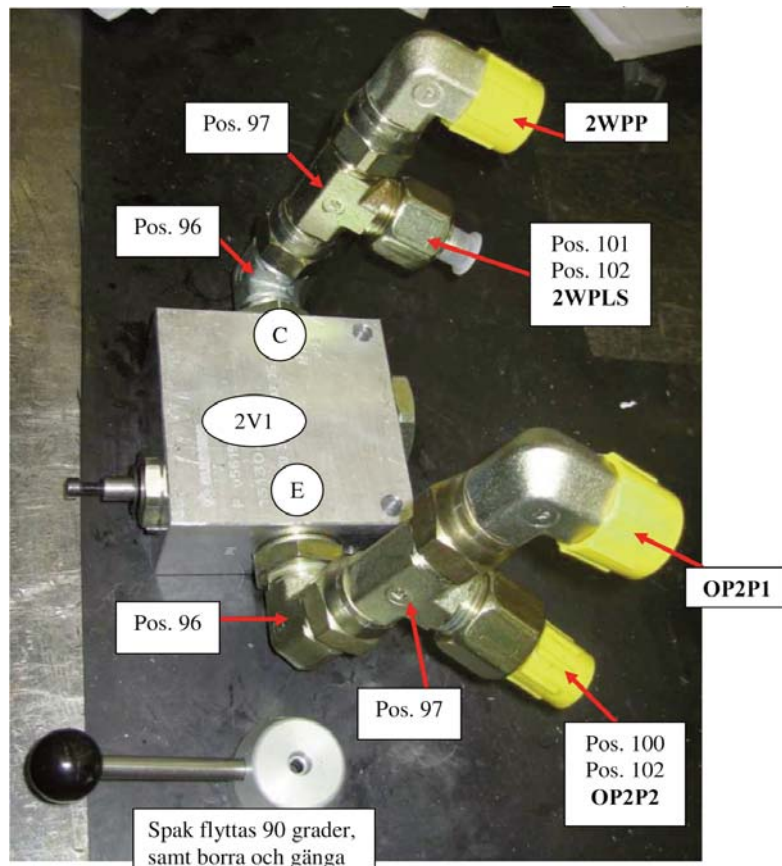
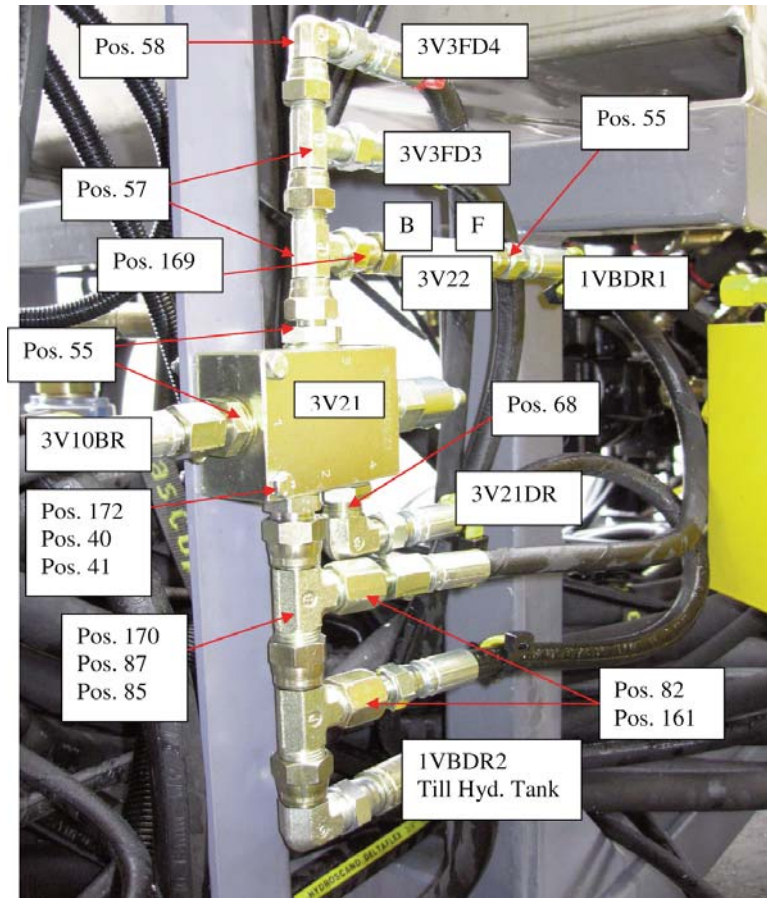
3719 0025 70

Ref. No.	Part No.	Qty.	Description	Notes
3V17	3719 0035 23	1	VALVE, PRESSURE RED INC HOUSING.	
3V18	3719 0035 23	1	VALVE, PRESSURE RED INC HOUSING.	
30	0147 1365 03	3	SCREW	M6S 10 x 40
57	3176 5427 00	14	TEE.....	UN 9/16" x UN 9/16"
69	3176 6593 00	2	TEE.....	UN 9/16-18 x R 1/4
68	3176 6351 00	11	ELBOW	R 1/4 x UN 9/16-18
146	0291 1110 00	5	LOCK NUT	M8 LM6M
171	0147 1340 03	1	SCREW	M6S 8 x 100

Control panel, (Fitting kit)

Control panel / Kontrollpanel / Schaltpult / Tableau de commande / Panel de mandos / Painel de comando / Pannelo di controllo

3719 0025 70



Control panel, (Fitting kit)

Control panel / Kontrollpanel / Schaltpult / Tableau de commande / Panel de mandos / Painel de comando / Pannelo di controllo

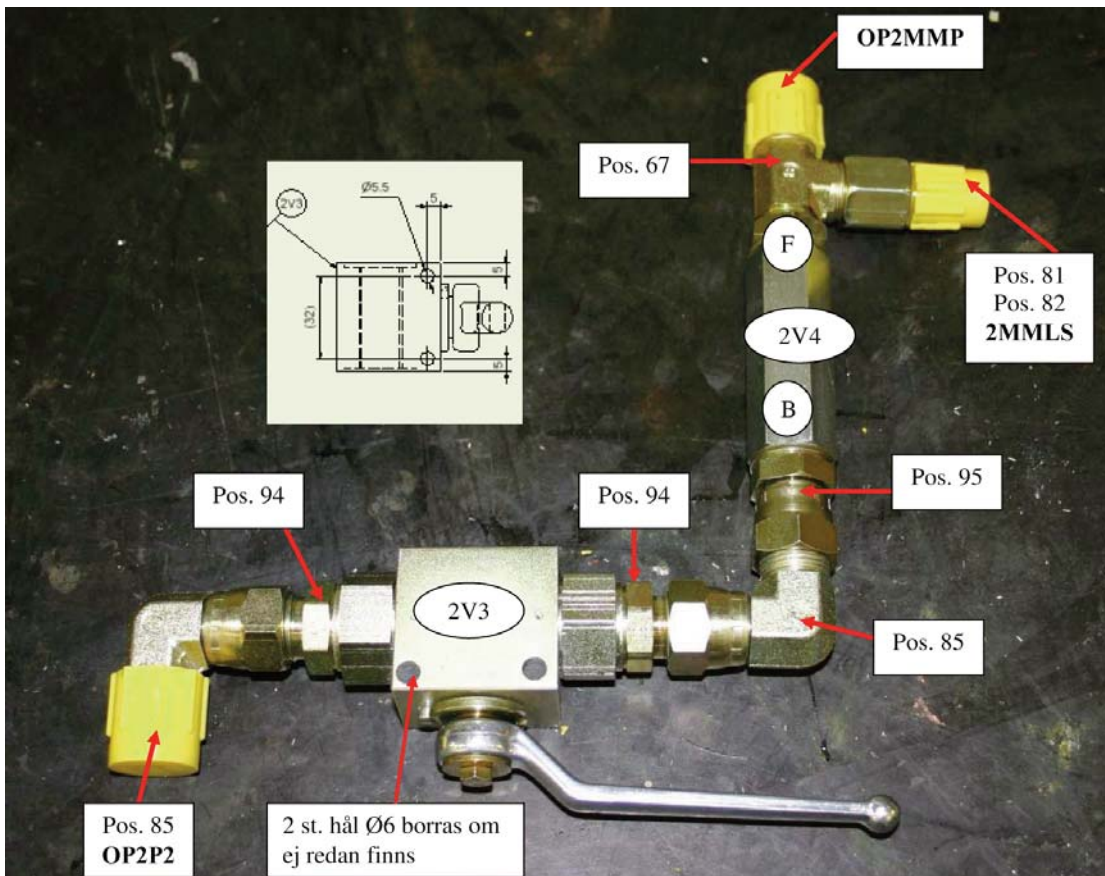
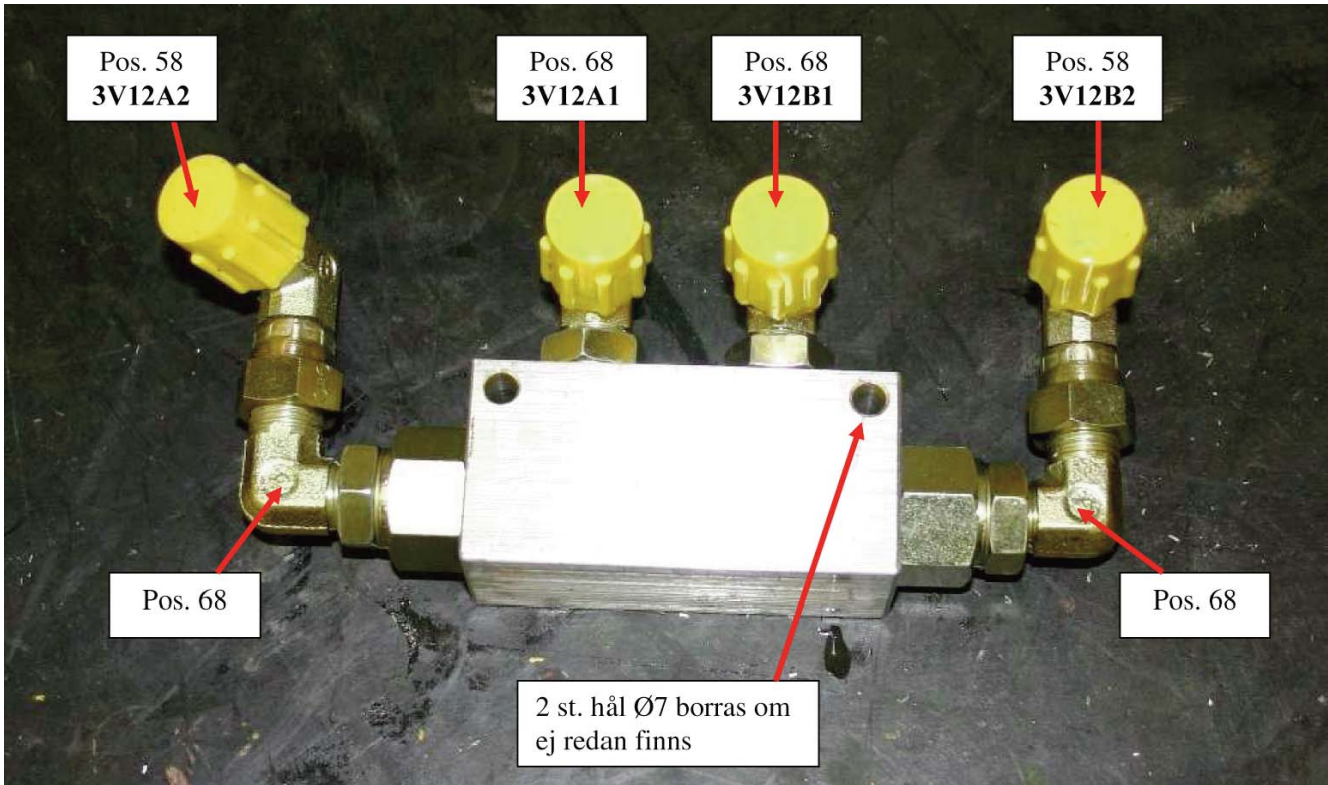
3719 0025 70

Ref. No.	Part No.	Qty.	Description	Notes
3V21	3719 0035 25	1	VALVE, SEQUENCE VAL.INC HOUSIN .	
3V22	3719 0035 24	1	VALVE, FLOW CONTROL.....	0.9L
40	0301 2321 00	24	WASHER	6 BRFB 6.4 x 12.5 x 1.5
41	0291 1108 00	15	LOCK NUT	M6 LM6M
55	3176 6348 00	12	NIPPLE.....	UN 9/16 x R 1/4
57	3176 5427 00	14	TEE.....	UN 9/16" x UN 9/16"
58	3715 0584 00	21	ELBOW	UN 9/16xUN 9/16
68	3176 6351 00	11	ELBOW	R 1/4 x UN 9/16-18
82	3176 6615 00	7	NUT	UN 3/4
85	3176 3060 00	7	ELBOW	UN 3/4"
87	3176 5535 00	9	TEE.....	UN 3/4" x UN 3/4"
96	3176 6567 00	2	ELBOW	UN 1 1/16 x R 3/4
97	3176 6591 00	2	TEE.....	UN 1 1/16"
101	3176 6503 00	1	NIPPLE.....	UN 1 1/16"-9/16"
102	3176 2930 00	2	NUT	UN 1 1/16"
161	3176 6501 00	3	NIPPLE.....	UN 3/4" x UN 9/16"
169	3176 8489 00	1	NIPPLE.....	R 1/4" x UN 9/16"
170	3176 6511 00	1	NIPPLE.....	UN 3/4 x R 1/4
172	0147 1253 03	2	SCREW	M6S 6 x 45

Control panel, (Fitting kit)

Control panel / Kontrollpanel / Schaltpult / Tableau de commande / Panel de mandos / Painel de comando / Pannelo di controllo

3719 0025 70



Control panel, (Fitting kit)

Control panel / Kontrollpanel / Schaltpult / Tableau de commande / Panel de mandos / Painei de comando / Pannelo di controllo

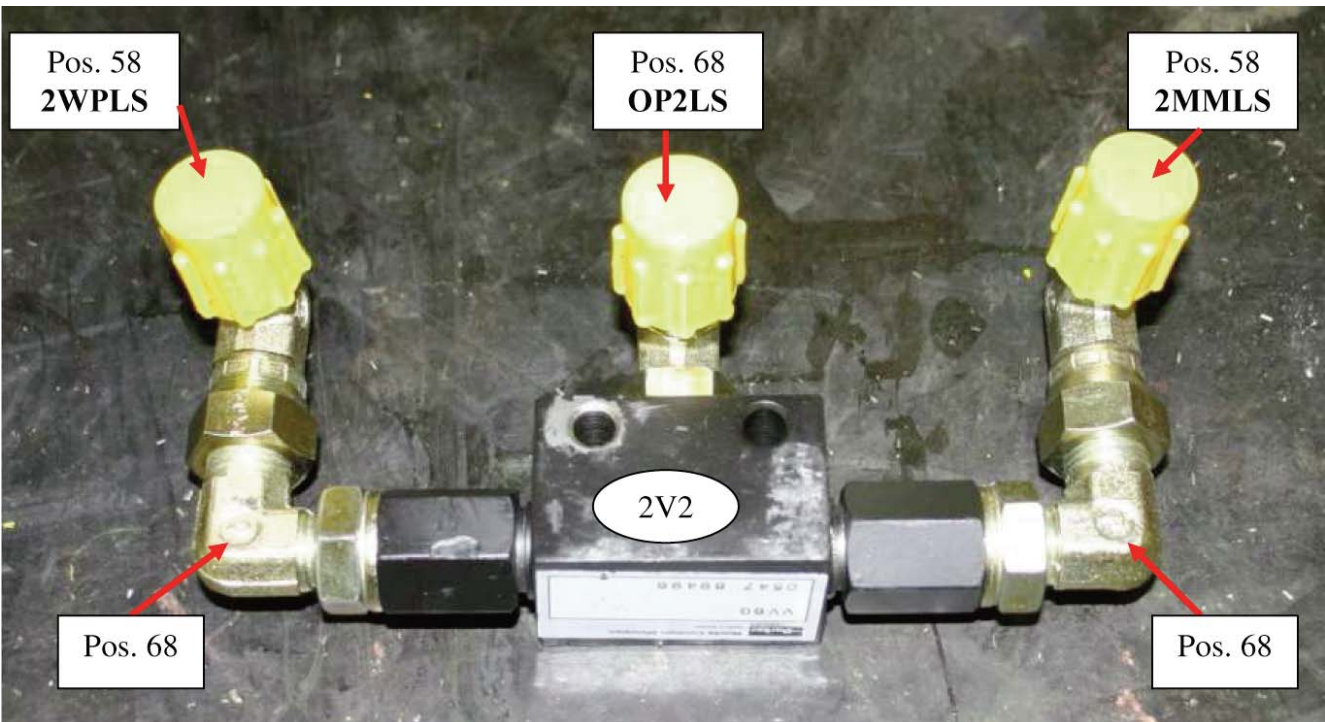
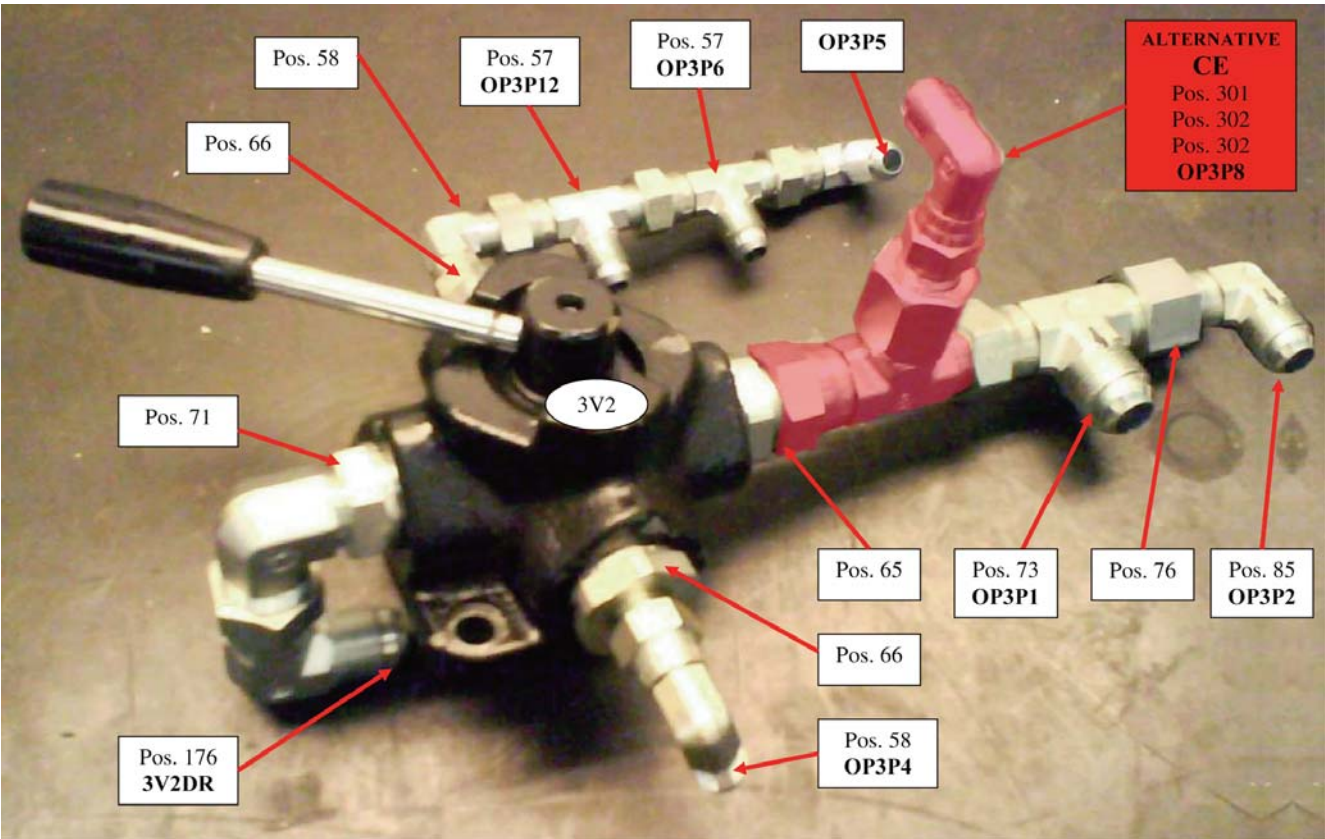
3719 0025 70

Ref. No.	Part No.	Qty.	Description	Notes
58	3715 0584 00	21	ELBOW	UN 9/16xUN 9/16
67	3176 6594 00	1	TEE.....	R 3/8 - UN 3/4
68	3176 6351 00	11	ELBOW	R 1/4 x UN 9/16-18
81	3176 6501 00	5	NIPPLE.....	UN 3/4" x UN 9/16"
82	3176 6615 00	7	NUT	UN 3/4
85	3176 3060 00	7	ELBOW	UN 3/4"
94	0176 6512 00	4	NIPPLE.....	R 3/8 - UN 3/4
95	3176 8270 00	1	NIPPLE.....	UN 3/4" x R 3/8"

Control panel, (Fitting kit)

Control panel / Kontrollpanel / Schaltpult / Tableau de commande / Panel de mandos / Painel de comando / Pannelo di controllo

3719 0025 70



Control panel, (Fitting kit)

Control panel / Kontrollpanel / Schaltpult / Tableau de commande / Panel de mandos / Painel de comando / Pannelo di controllo

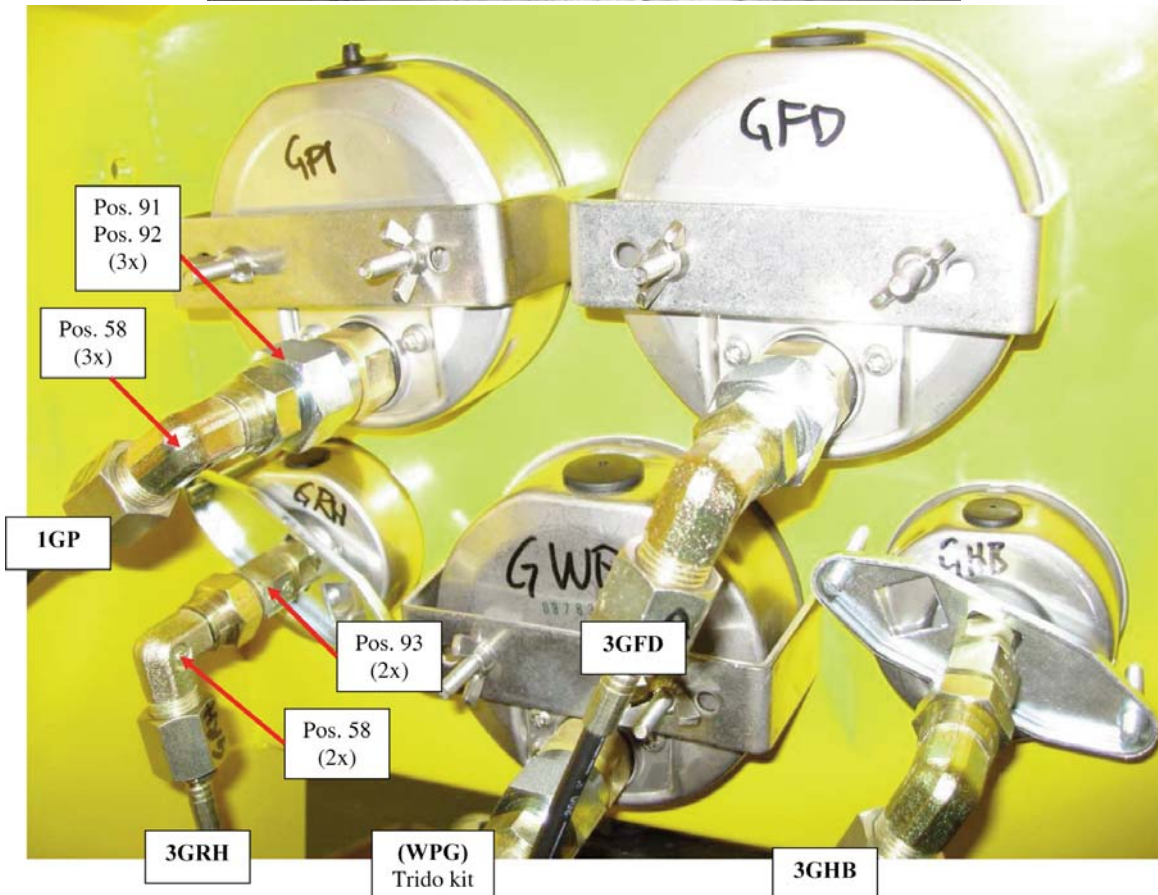
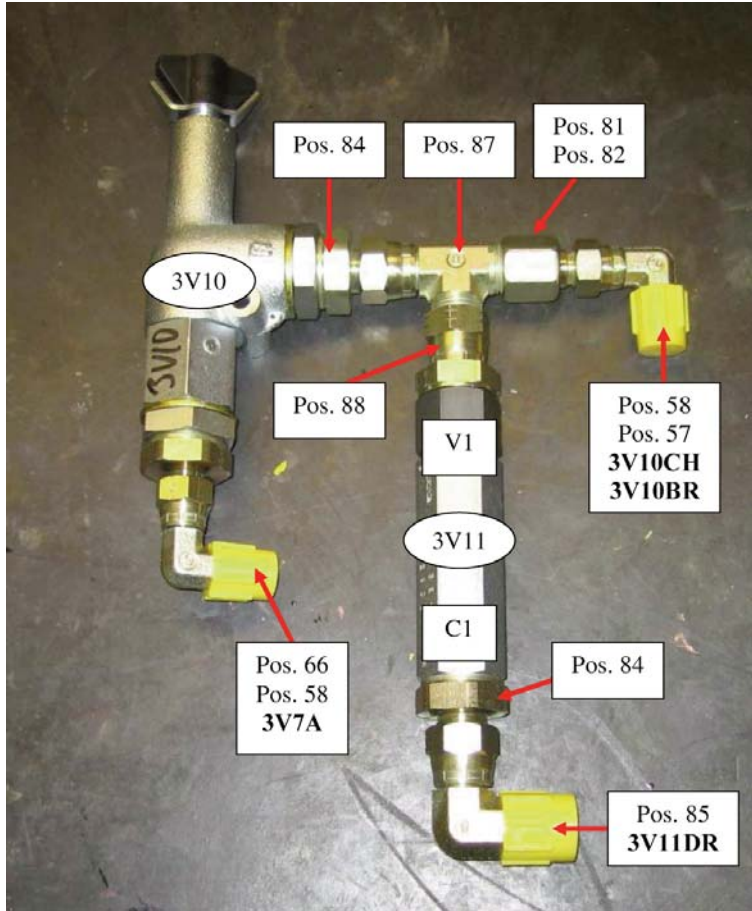
3719 0025 70

Ref. No.	Part No.	Qty.	Description	Notes
57	3176 5427 00	14	TEE.....	UN 9/16" x UN 9/16"
58	3715 0584 00	21	ELBOW	UN 9/16xUN 9/16
65	3176 6515 00	3	NIPPLE.....	UN 7/8 x R 1/2
66	3715 6344 00	17	NIPPLE.....	R 1/2" x UN 9/16"
68	3176 6351 00	11	ELBOW	R 1/4 x UN 9/16-18
71	3176 6565 00	1	ELBOW	R 1/2" x UN 7/8"
73	3176 6590 00	2	TEE	UN 7/8 x UN 7/8
76	3176 7336 00	1	NIPPLE.....	UN 3/4 x 7/8
85	3176 3060 00	7	ELBOW	UN 3/4"
176	-	1	
301	-	1	
302	-	2	

Control panel, (Fitting kit)

Control panel / Kontrollpanel / Schaltpult / Tableau de commande / Panel de mandos / Painel de comando / Pannelo di controllo

3719 0025 70



Control panel, (Fitting kit)

Control panel / Kontrollpanel / Schaltpult / Tableau de commande / Panel de mandos / Painel de comando / Pannelo di controllo

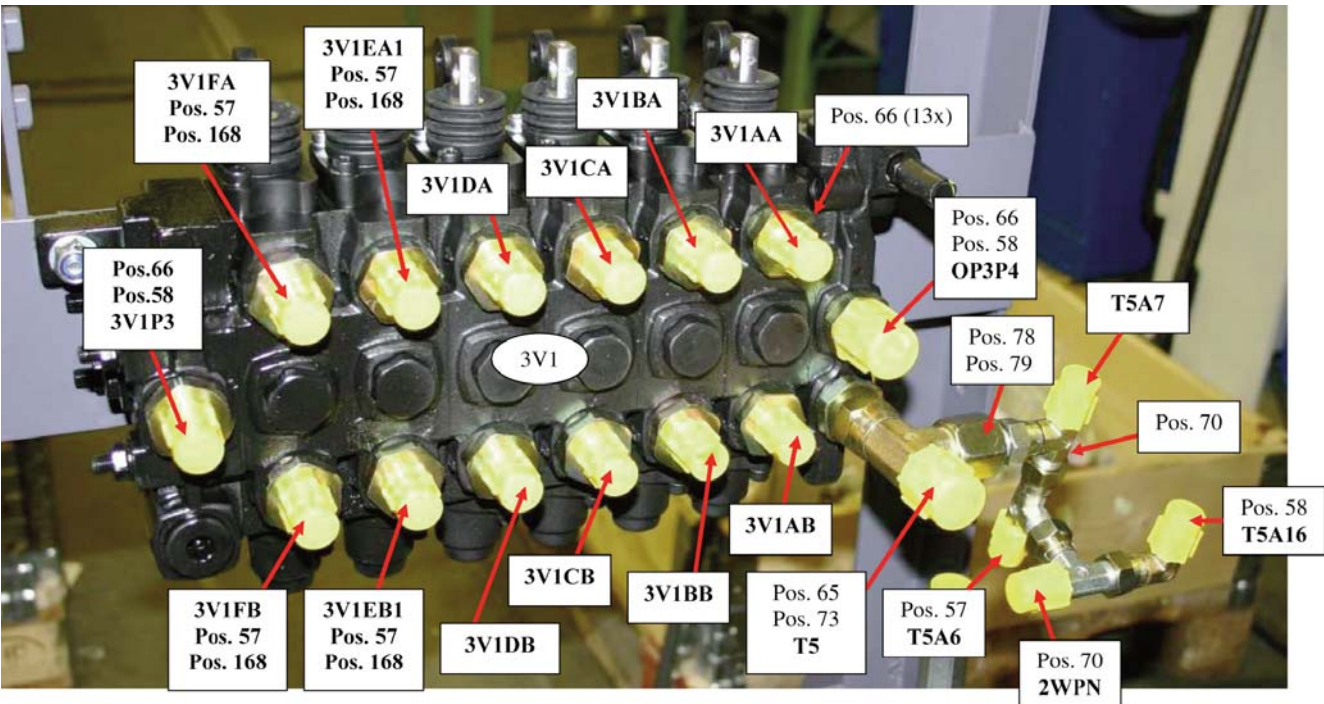
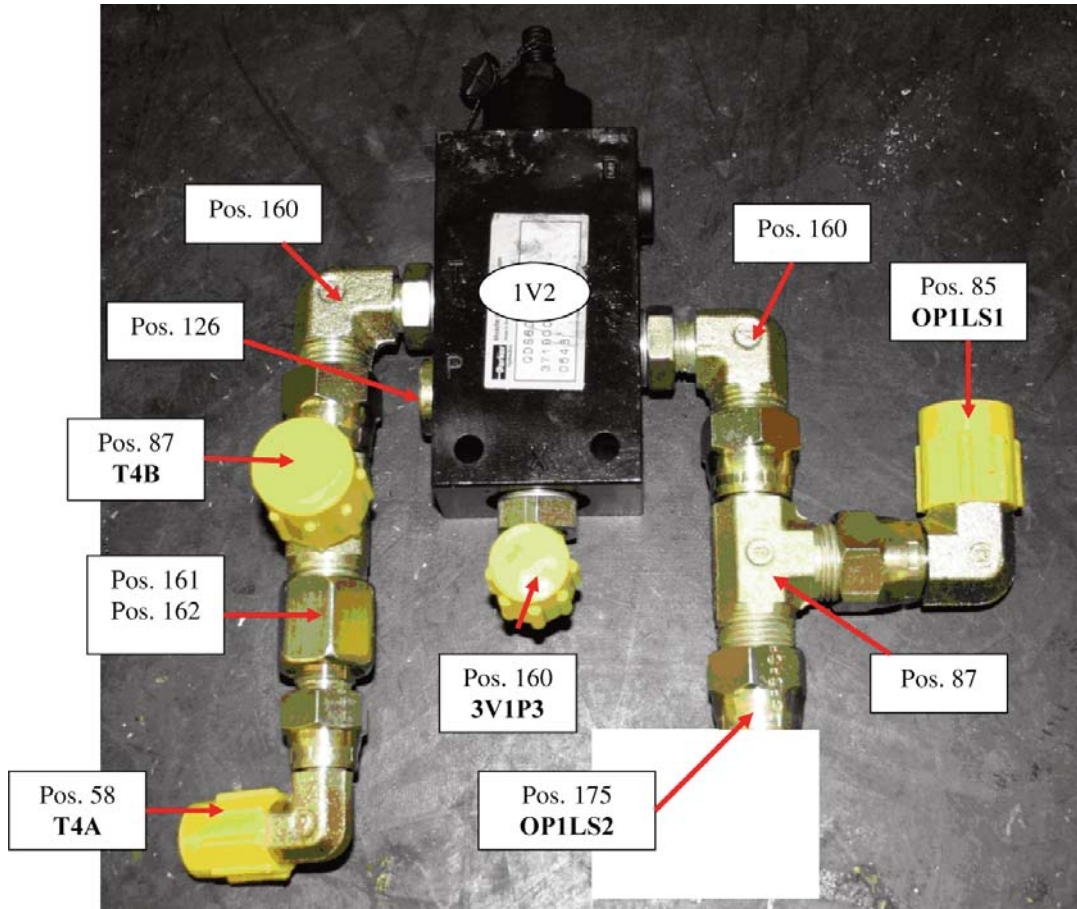
3719 0025 70

Ref. No.	Part No.	Qty.	Description	Notes
3V11	3719 0035 53	1	VALVE, PRESSURE RELIEVING.	120Bar
57	3176 5427 00	14	TEE.....	UN 9/16" x UN 9/16"
58	3715 0584 00	21	ELBOW	UN 9/16xUN 9/16
66	3715 6344 00	17	NIPPLE.....	R 1/2" x UN 9/16"
81	3176 6501 00	5	NIPPLE.....	UN 3/4" x UN 9/16"
82	3176 6615 00	7	NUT	UN 3/4
84	3176 6513 00	2	NIPPLE	UN 3/4 x R 1/2
85	3176 3060 00	7	ELBOW	UN 3/4"
87	3176 5535 00	9	TEE.....	UN 3/4" x UN 3/4"
88	0570 5040 06	1	NIPPLE.....	R1/2"-3/4"
91	0653 0905 11	3	GASKET.....	KBM R 3/8" COPPER
92	3176 7851 00	3	NIPPLE.....	UN 9/16-18 x R 3/8 TYPE B
93	3177 3070 00	2	NIPPLE.....	R 1/4"-UN 9/16"

Control panel, (Fitting kit)

Control panel / Kontrollpanel / Schaltpult / Tableau de commande / Panel de mandos / Painel de comando / Pannelo di controllo

3719 0025 70



Control panel, (Fitting kit)

Control panel / Kontrollpanel / Schaltpult / Tableau de commande / Panel de mandos / Painel de comando / Pannelo di controllo

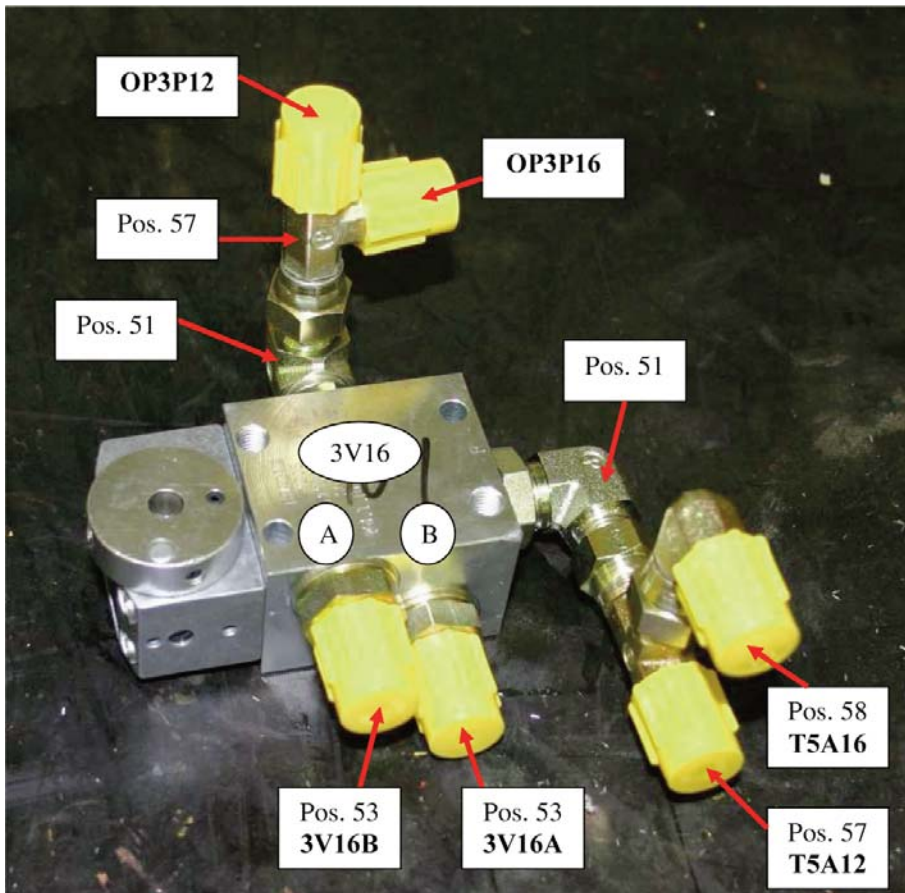
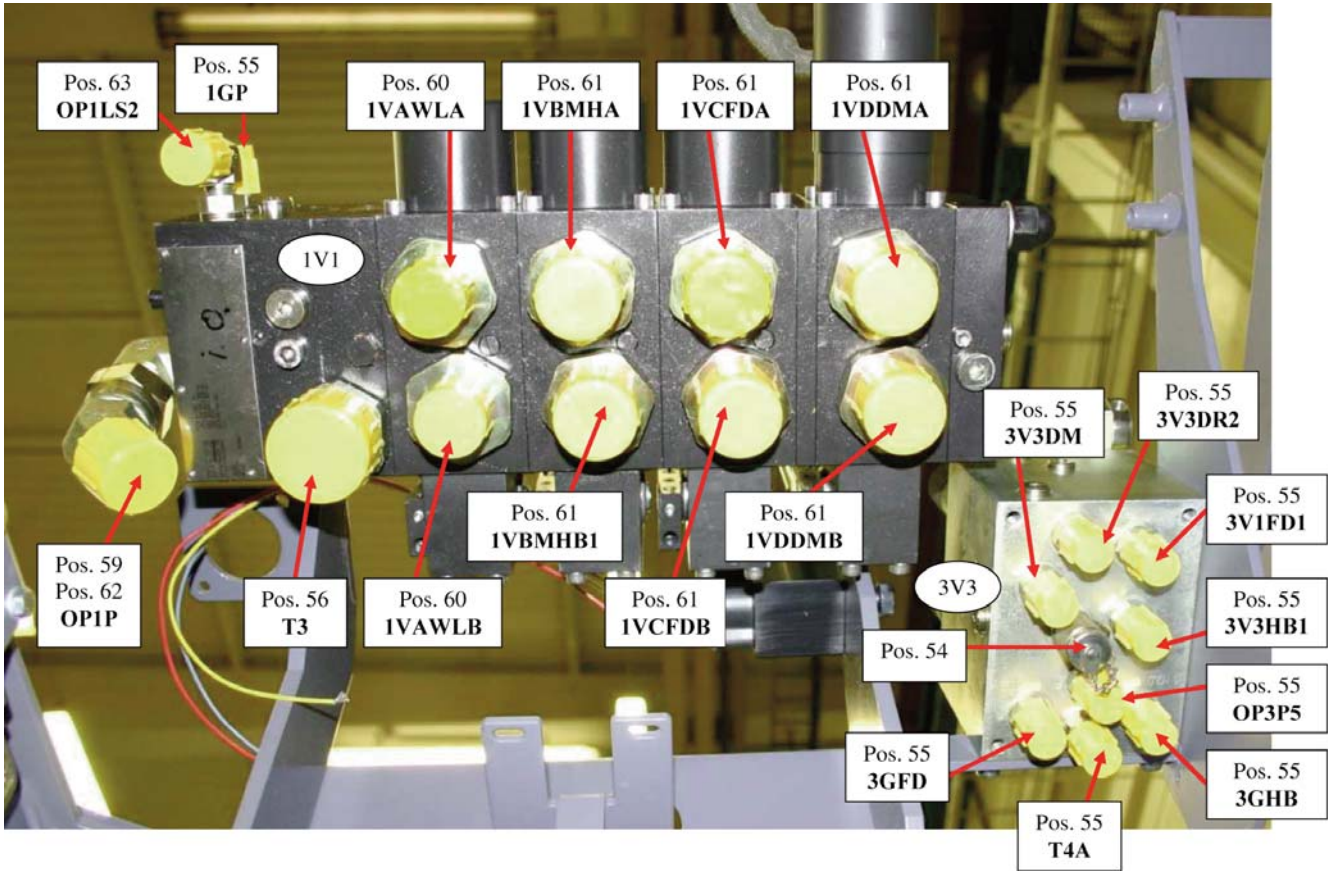
3719 0025 70

Ref. No.	Part No.	Qty.	Description	Notes
1V2	3719 0032 98	1	VALVE, SEQUENCE PILOT.	30BAR
3V1	3719 0025 54	1	VALVE, POSITIONER.	CS14
-	3719 0035 81	6	SEAL KIT, SECTION A & B SIDE.	P70 VALVE
-	3222 3264 95	7	SEAL KIT, INTERSECTION SEAL KIT ...	P70 VALVE
-	3222 3264 90	1	MAIN RELIEF VALVE.	
-	3128 2091 25	1	MAIN RELIEF VALVE, PILOT PART.	
-	3222 3264 98	6	LEVER HOLDER KIT.	P70
-	3222 3264 99	6	SPOOL ACTUATOR.	P70
-	3718 0409 15	6	LEVER.	P70
57	3176 5427 00	14	TEE.	UN 9/16" x UN 9/16"
58	3715 0584 00	21	ELBOW.	UN 9/16xUN 9/16
65	3176 6515 00	3	NIPPLE.	UN 7/8 x R 1/2
66	3715 6344 00	17	NIPPLE.	R 1/2" x UN 9/16"
70	3176 5428 00	1	TEE.	UN 9/16" x UN 9/16"
73	3176 6590 00	2	TEE.	UN 7/8 x UN 7/8
78	3176 6502 00	1	NIPPLE.	UN 7/8" x UN 9/16"
79	3176 6616 00	1	NUT.	UN 7/8
85	3176 3060 00	7	ELBOW.	UN 3/4"
87	3176 5535 00	9	TEE.	UN 3/4" x UN 3/4"
126	0686 6442 07	1	PLUG.	G 1/4-ED VSTI R 1/4-ED
160	3176 6563 00	2	NIPPLE.	UN 3/4-16 x R 1/4
161	3176 6501 00	3	NIPPLE.	UN 3/4" x UN 9/16"
162	3176 6615 00	1	NUT.	UN 3/4
168	3176 5429 00	6	CAP.	UN 9/16"-18
175	3176 6981 00	1	NIPPLE.	3/4-16 UN x 7/8-14 UN

Control panel, (Fitting kit)

Control panel / Kontrollpanel / Schaltpult / Tableau de commande / Panel de mandos / Painel de comando / Pannelo di controllo

3719 0025 70



Control panel, (Fitting kit)

Control panel / Kontrollpanel / Schaltpult / Tableau de commande / Panel de mandos / Painei de comando / Pannelo di controllo

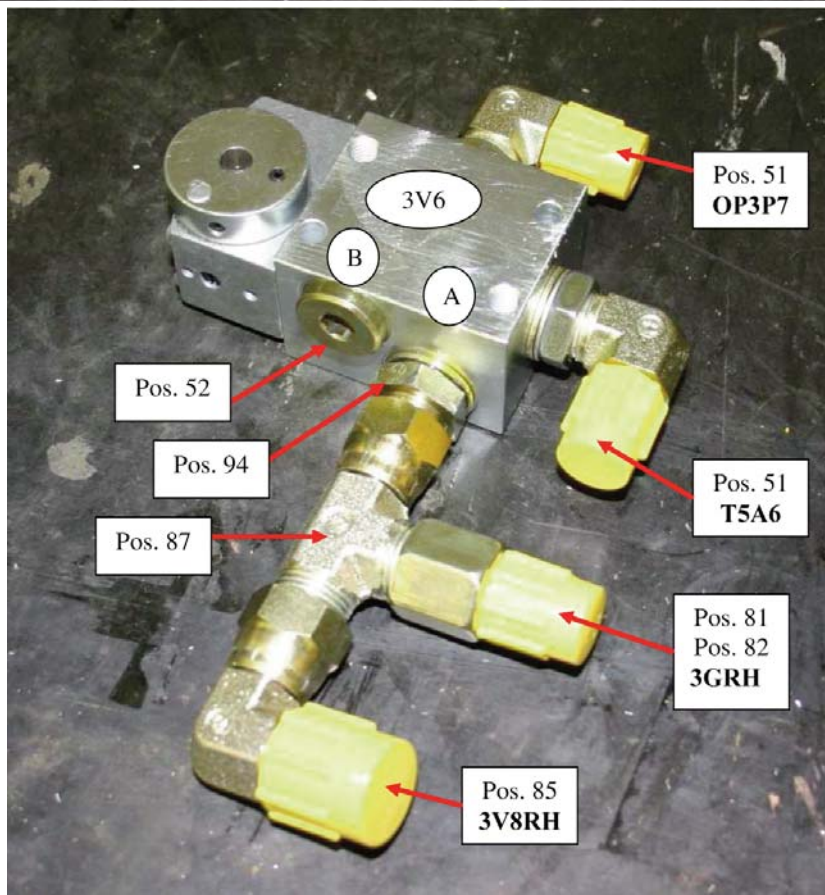
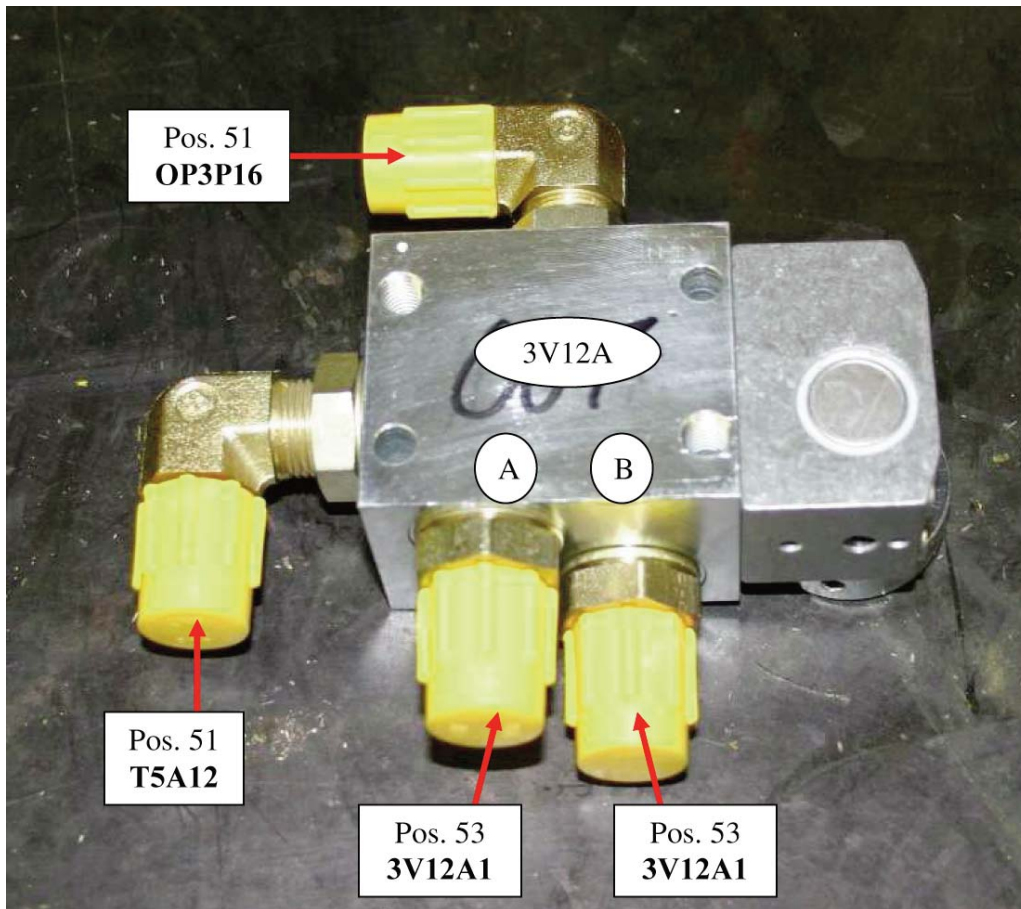
3719 0025 70

Ref. No.	Part No.	Qty.	Description	Notes
1V1	3719 0025 51	1	VALVEBLOCK, MAIN	CS14/CT14
3V3	3719 0025 53	1	VALVEBLOCK, DRILLCONTROL	
3V16	3719 0029 92	1	VALVE, 4/3 DETENT, CYL.SPOOL	
51	3176 6352 00	8	ELBOW	R 3/8" x UN 9/16"
53	3176 6349 00	5	NIPPLE	R 3/8" x UN 9/16
54	3176 6803 00	1	PRESSURE GAUGE CONNECTOR	G 1/4
55	3176 6348 00	12	NIPPLE	UN 9/16 x R 1/4
56	3176 6642 00	1	NIPPLE	R 1" x 1 5/8" UN
57	3176 5427 00	14	TEE	UN 9/16" x UN 9/16"
58	3715 0584 00	21	ELBOW	UN 9/16xUN 9/16
59	3176 6569 00	1	ELBOW	R 1" x UN 1 5/16"
60	3176 6518 00	2	NIPPLE	R 1" x UN 1 1/16
61	3176 6520 00	6	NIPPLE	R 1" x UN 1 5/16
62	3176 6551 00	1	ELBOW	UN 1 5/16
63	3176 6563 00	1	NIPPLE	UN 3/4-16 x R 1/4

Control panel, (Fitting kit)

Control panel / Kontrollpanel / Schaltschrank / Tableau de commande / Panel de mandos / Painel de comando / Pannelo di controllo

3719 0025 70



Control panel, (Fitting kit)

Control panel / Kontrollpanel / Schaltpult / Tableau de commande / Panel de mandos / Painei de comando / Pannelo di controllo

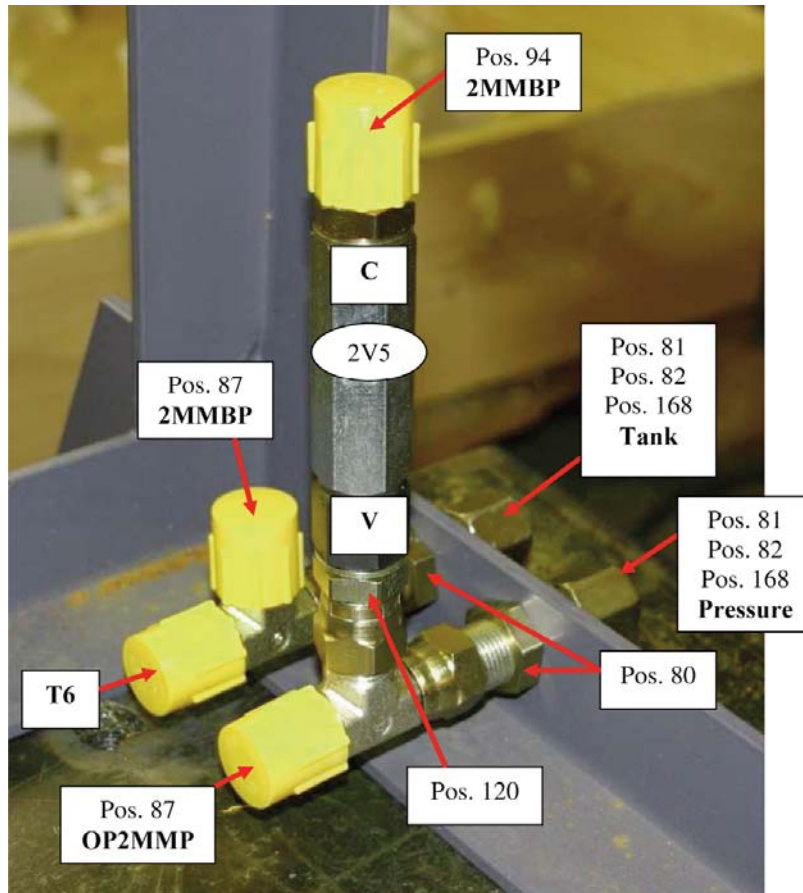
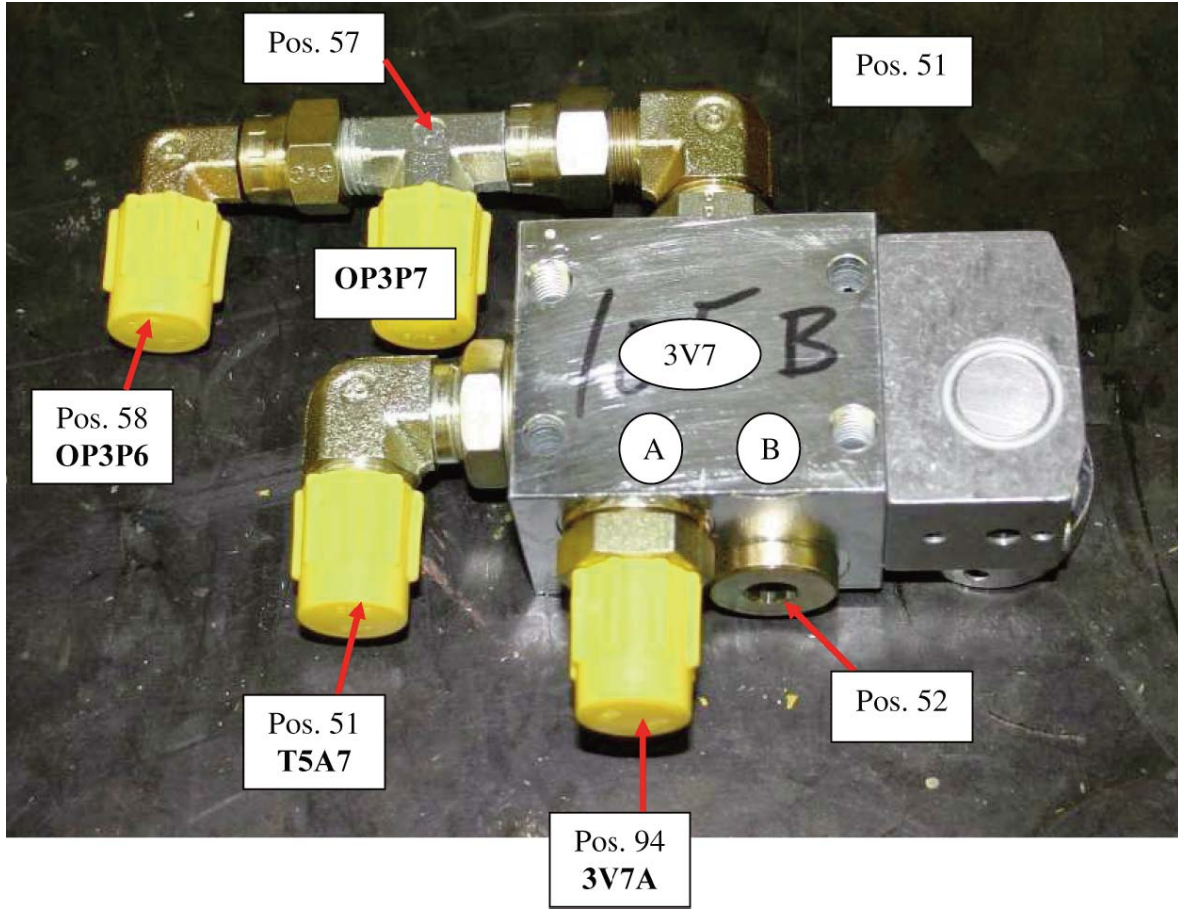
3719 0025 70

Ref. No.	Part No.	Qty.	Description	Notes
3V6	3719 0030 72	1	VALVE, 4/3 DETENT, MOTORPOOL . . .	
3V12A	3719 0029 93	1	VALVE, 4/3 SPRINGRET MOT.SPOOL . .	
51	3176 6352 00	8	ELBOW	R 3/8" x UN 9/16"
52	0686 3718 01	2	PLUG	G 3/8" ED VSTI R 3/8-ED
53	3176 6349 00	5	NIPPLE	R 3/8" x UN 9/16
81	3176 6501 00	5	NIPPLE	UN 3/4" x UN 9/16"
82	3176 6615 00	7	NUT	UN 3/4
85	3176 3060 00	7	ELBOW	UN 3/4"
87	3176 5535 00	9	TEE	UN 3/4" x UN 3/4"
94	0176 6512 00	4	NIPPLE	R 3/8 - UN 3/4

Control panel, (Fitting kit)

Control panel / Kontrollpanel / Schaltpult / Tableau de commande / Panel de mandos / Painei de comando / Pannelo di controllo

3719 0025 70



Control panel, (Fitting kit)

Control panel / Kontrollpanel / Schaltpult / Tableau de commande / Panel de mandos / Painel de comando / Pannelo di controllo

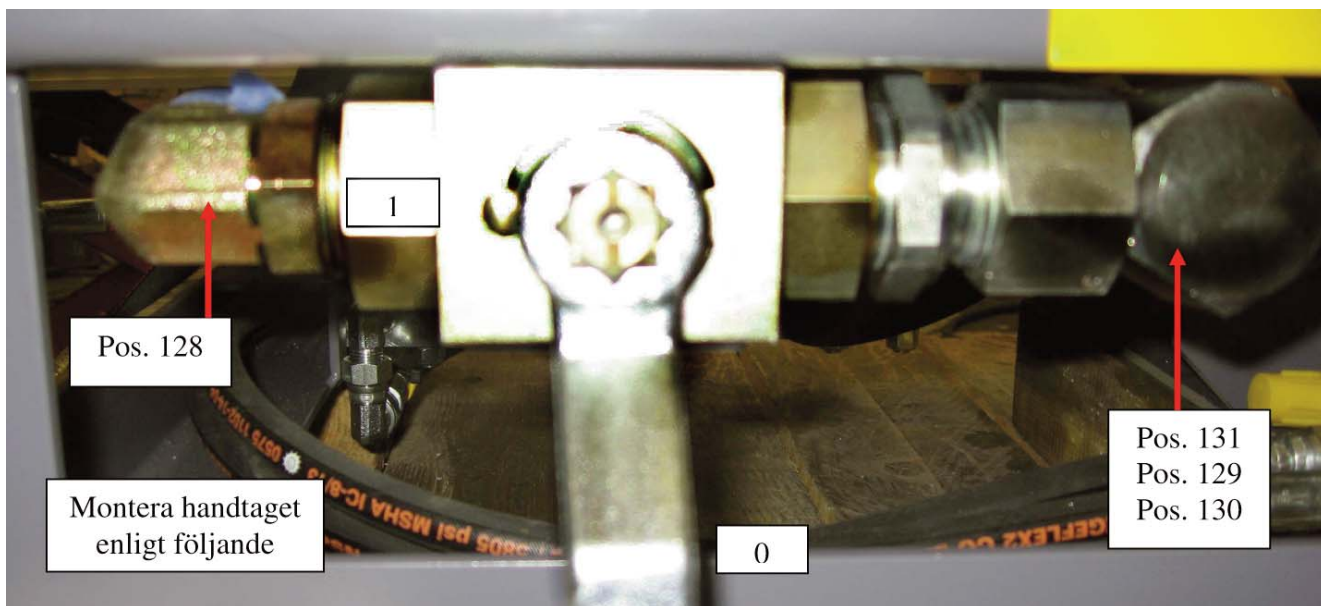
3719 0025 70

Ref. No.	Part No.	Qty.	Description	Notes
2V5	3719 0035 52	1	VALVE, PRESSURE RELIEVING.....	100B
3V7	3719 0030 72	1	VALVE, 4/3 DETENT, MOTORPOOL ...	
51	3176 6352 00	8	ELBOW	R 3/8" x UN 9/16"
52	0686 3718 01	2	PLUG	G 3/8" ED VSTI R 3/8-ED
57	3176 5427 00	14	TEE	UN 9/16" x UN 9/16"
58	3715 0584 00	21	ELBOW	UN 9/16xUN 9/16
80	3176 6497 00	2	FITTING	3/4"
81	3176 6501 00	5	NIPPLE.....	UN 3/4" x UN 9/16"
82	3176 6615 00	7	NUT	UN 3/4
87	3176 5535 00	9	TEE	UN 3/4" x UN 3/4"
91	0653 0905 11	3	GASKET.....	KBM R 3/8" COPPER
94	0176 6512 00	4	NIPPLE.....	R 3/8 - UN 3/4
120	3176 8270 00	1	NIPPLE.....	UN 3/4" x R 3/8"
168	3176 5429 00	6	CAP	UN 9/16"-18

Control panel, (Fitting kit)

Control panel / Kontrollpanel / Schaltpult / Tableau de commande / Panel de mandos / Painel de comando / Pannelo di controllo

3719 0025 70



Control panel, (Fitting kit)

Control panel / Kontrollpanel / Schaltpult / Tableau de commande / Panel de mandos / Painei de comando / Pannelo di controllo

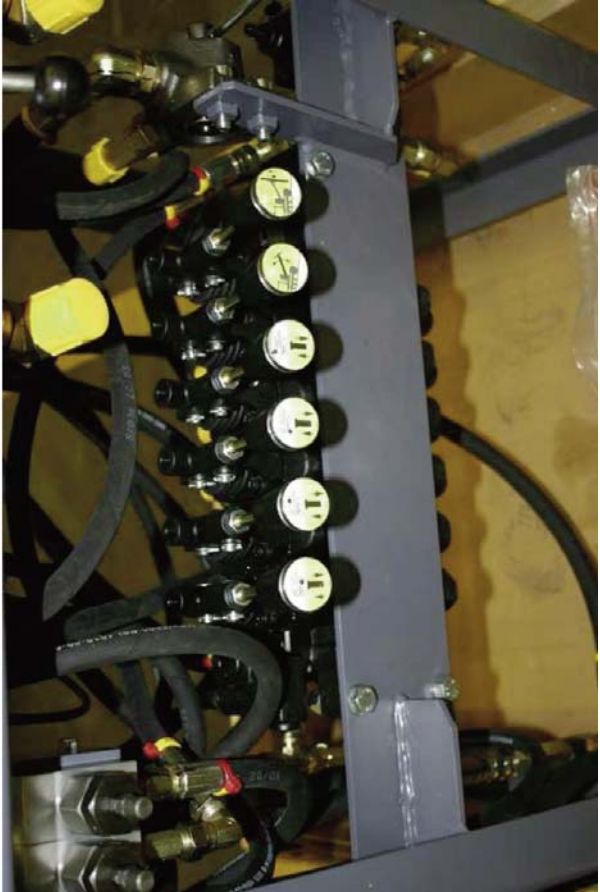
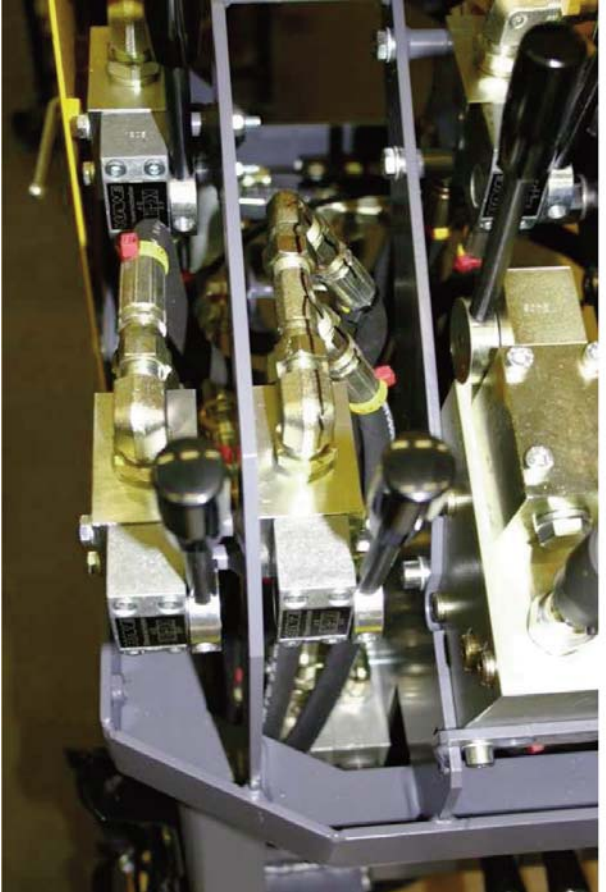
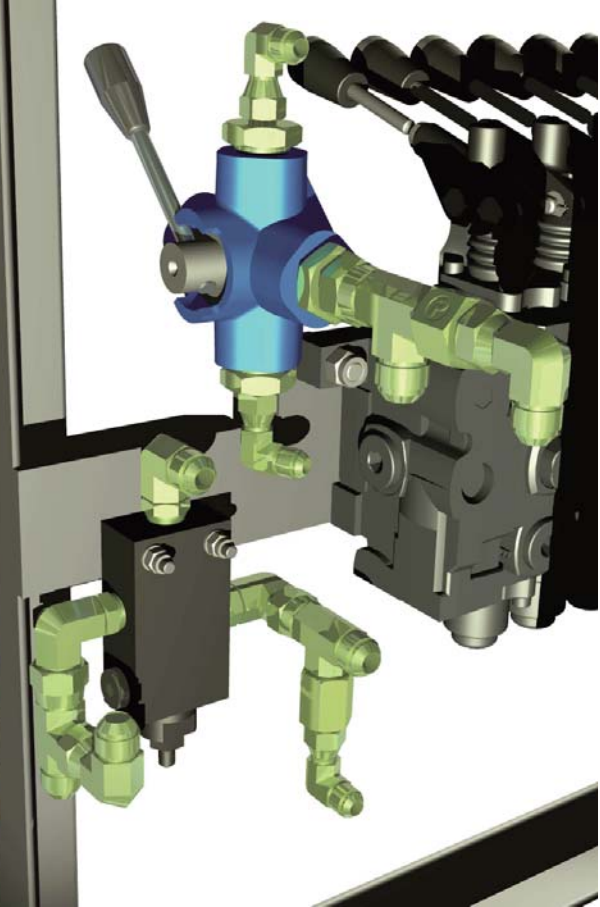
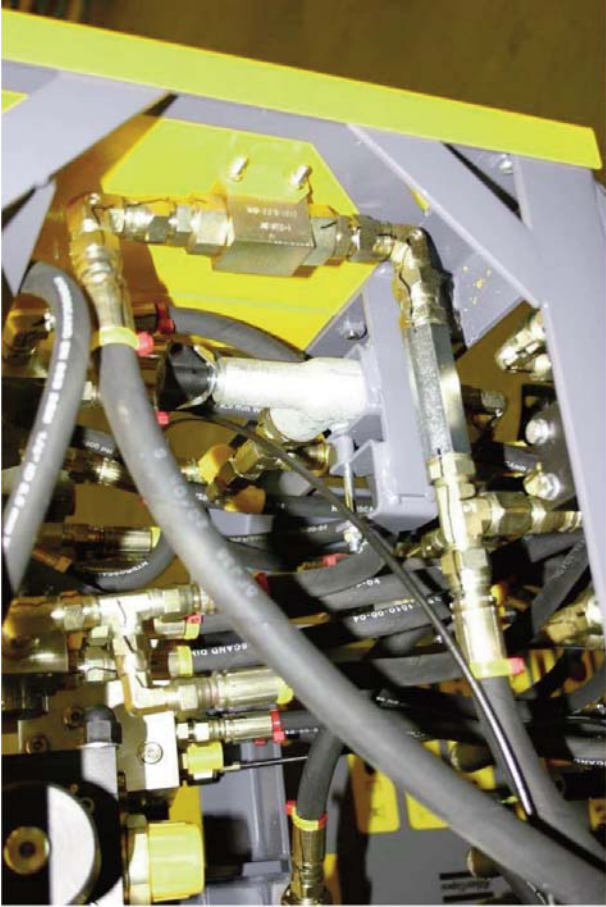
3719 0025 70

Ref. No.	Part No.	Qty.	Description	Notes
GFD	3719 0025 79	1	PRESSURE GAUGE	D100 0-80kN
GHB	3719 0025 78	1	PRESSURE GAUGE	D63 0-160kN
GPI	3176 6023 00	1	PRESSURE GAUGE	D100 0-400bar
GRH	3716 2090 00	1	PRESSURE GAUGE	D63 0-400bar
GWP	3716 3505 00	1	PRESSURE GAUGE	D100 0-160bar
2V4	3719 0029 02	1	VALVE, FLOW CONTROL.....	22L
128	0606 0000 38	1	NIPPLE.....	G 3/4"UFXG 3/4"UF 90STB 7204-12-12
129	0603 4200 14	1	G1".....	G3/4" FZB
130	0606 0000 07	1	NIPPLE.....	G 1"UF X G 1"IR 90T 7201-16-16
131	0661 1038 00	1	SEAL WASHER	TREDO 20

Control panel, (Fitting kit)

Control panel / Kontrollpanel / Schaltpult / Tableau de commande / Panel de mandos / Painel de comando / Pannelo di controllo

3719 0025 70



Control panel, (Fitting kit)

Control panel / Kontrollpanel / Schaltpult / Tableau de commande / Panel de mandos / Painei de comando / Pannelo di controllo

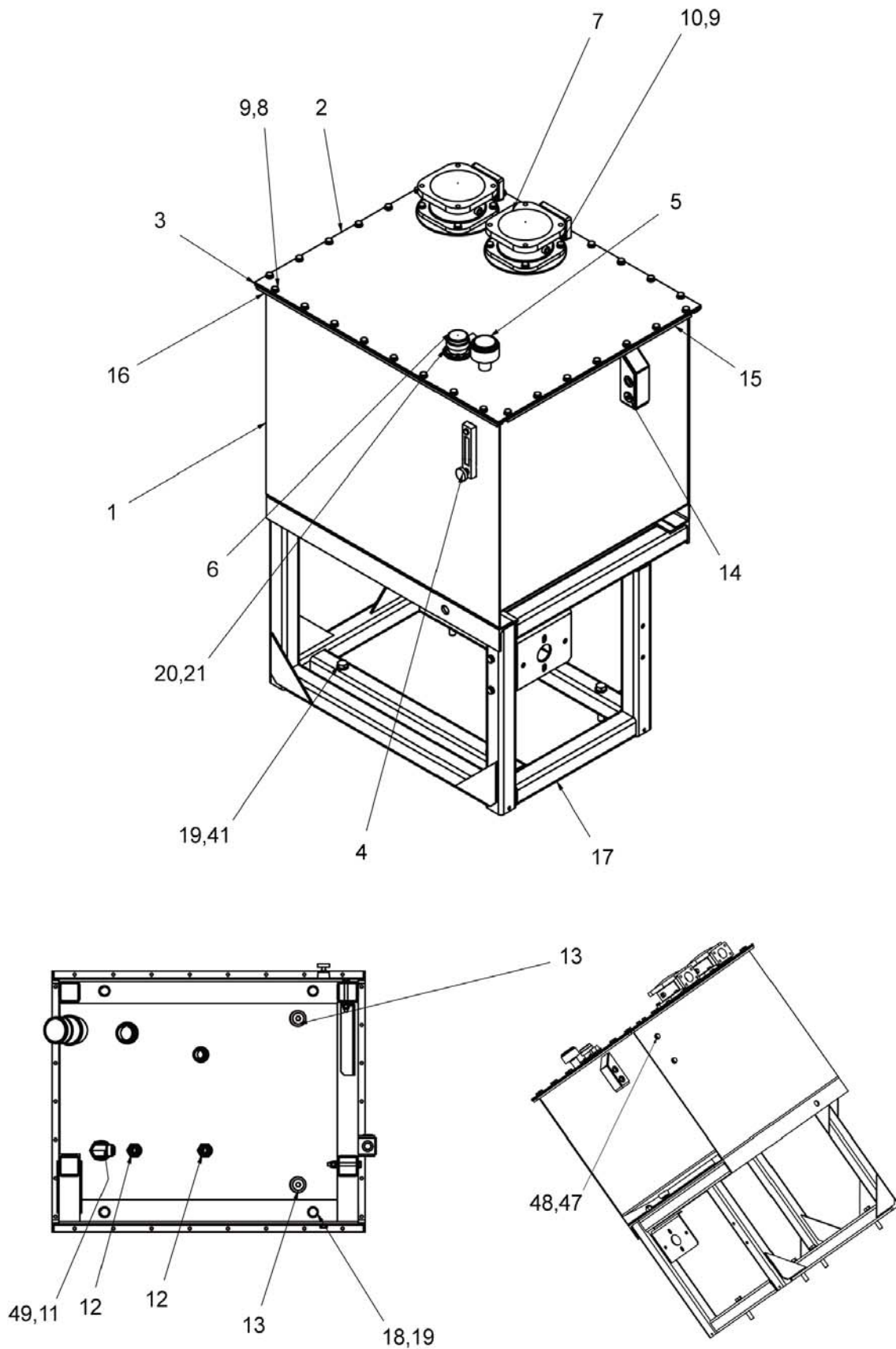
3719 0025 70

Ref. No.	Part No.	Qty.	Description	Notes
----------	----------	------	-------------	-------

Hyd. Tank / Behälter

Tank / Réservoir complet / Depósito / Serbatoio / Depósito

3719 0025 96



Hyd. Tank / Behälter

Tank / Réservoir complet / Depósito / Serbatoio / Depósito

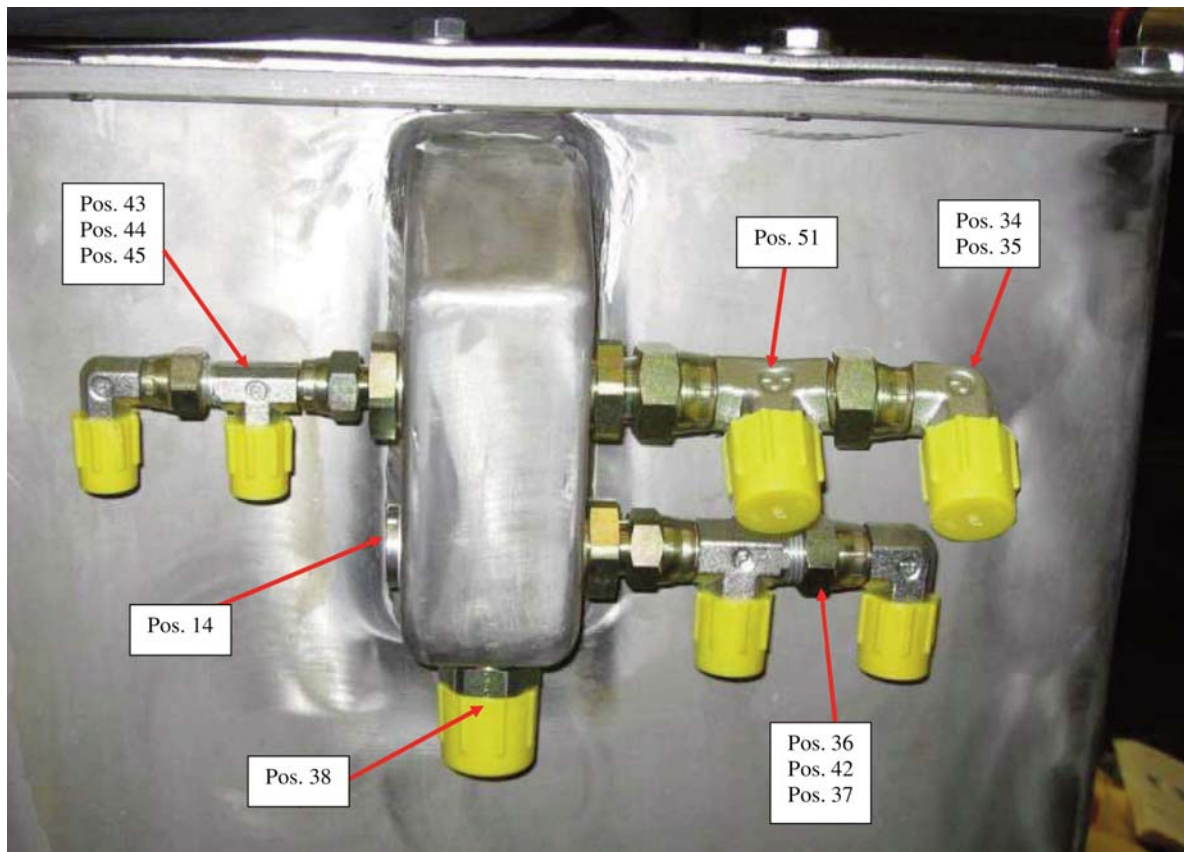
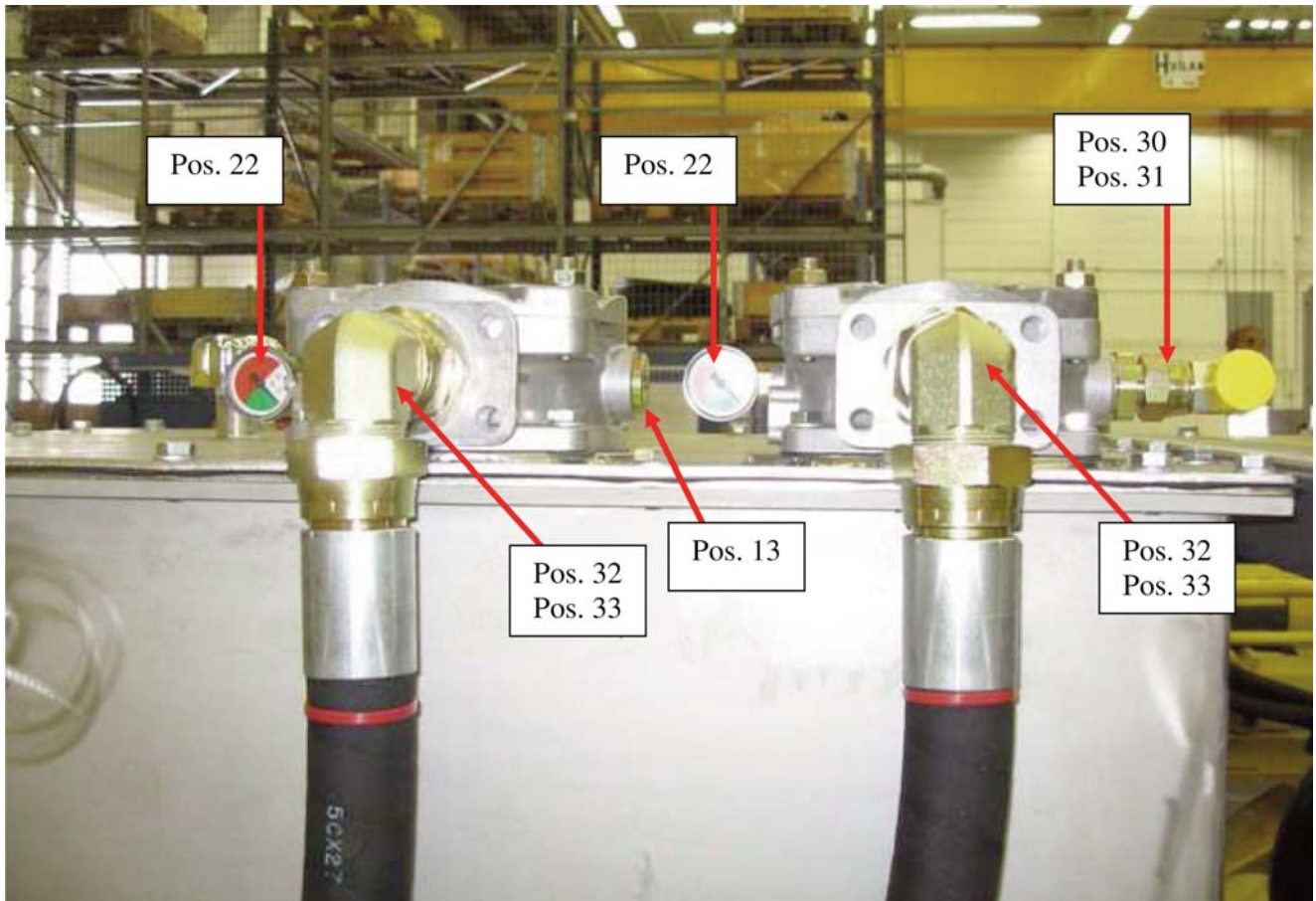
3719 0025 96

Ref. No.	Part No.	Qty.	Description	Notes
-	3719 0030 83	1	HYD.TANK HOSE KIT	
1	3719 0025 06	1	OIL TANK.....	
2	3719 0025 07	1	OIL TANK LID.....	
3	3719 0025 08	1	GASKET OIL TANK.....	
4	3217 9008 00	1	TEMP/LEVEL GAUGE	FSA 127-1.0/FT 200 / 12 / 32
5	3718 0404 27	1	AIR FILTER	SAB.15.62.10
6	3719 0029 56	1	LEVEL & TEMP GUARD	
7	3719 0003 09	2	RETURN FILTER.....	260L
-	3719 0004 26	4	FILTER INSERTS	(2 INSERTS / FILTER)
8	0147 1360 03	30	SCREW.....	M10x20 FZB M6S 10 x 20
9	0301 2344 00	40	WASHER	10 BRB 10.5 x 20 x 2
10	0147 1362 03	8	SCREW	M10x25 FZB M6S 10 x 25 ISO 4017
11	3176 6521 00	1	NIPPLE	R 1 1/4"-1 5/16"UN
12	3176 6517 00	2	NIPPLE	UN 1 1/16-R 3/4
13	0686 3718 08	3	PLUG.....	G 3/4-ED STAINLESS VSTI
14	3719 0003 35	1	MAGNET PLUG	
15	3719 0025 09	2	THREADED BAR.....	
16	3719 0025 10	2	THREAD BAR	
17	3719 0025 11	1	OILTANK STAND	
18	0147 1476 03	4	SCREW.....	M16X35 FZB M6S 16 x 35
19	0301 2378 00	8	WASHER	16 BRB 17 x 30 x 3
20	0147 1204 03	4	SCREW.....	M5x10 FZB M6S 5x10
21	0301 2318 00	4	WASHER.....	5 5.3x10x1 FZB
41	0147 1489 03	4	SCREW.....	M16x100 FZB M6S 16 x 100 FZB 8.8
47	0147 1400 03	2	SCREW.....	M6S 12 x 25
48	0301 2358 00	2	WASHER	12 BRB 13 x 24 x 2.5
49	3176 6039 00	1	ELBOW	UN 1 5/16"-12

Hyd. Tank / Behälter (Fittings)

Tank / Réservoir complet / Depósito / Serbatoio / Depósito

3719 0025 96



Hyd. Tank / Behälter (Fittings)

Tank / Réservoir complet / Depósito / Serbatoio / Depósito

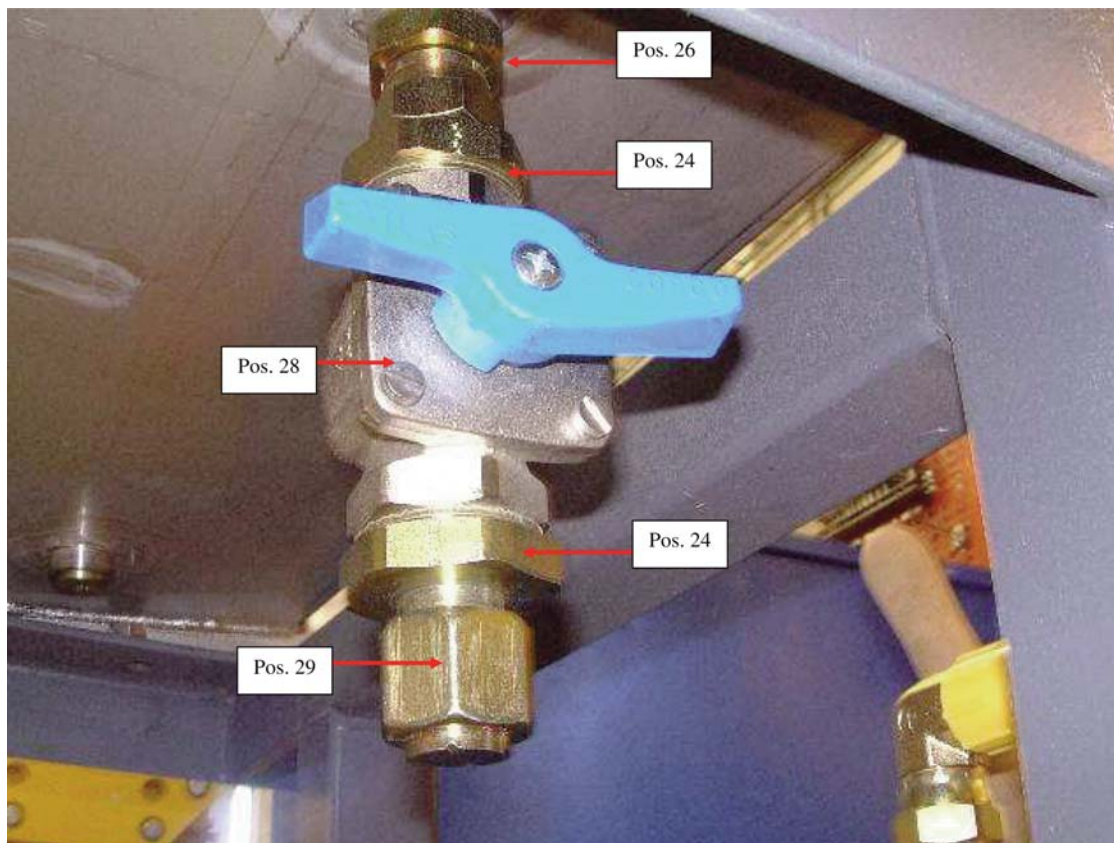
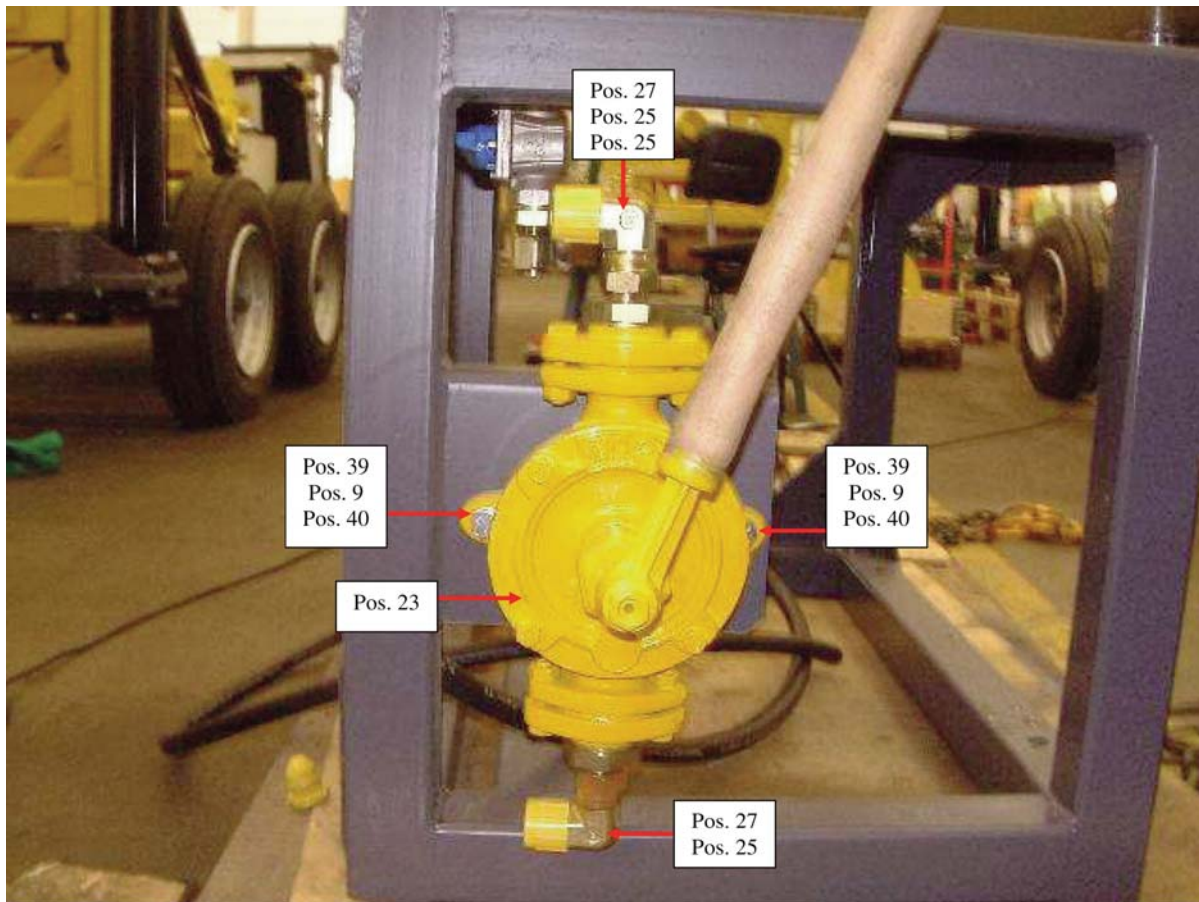
3719 0025 96

Ref. No.	Part No.	Qty.	Description	Notes
13	0686 3718 08	3	PLUG.....	G 3/4-ED STAINLESS VSTI
14	3719 0003 35	1	MAGNET PLUG	
22	3980 1168 01	2	INDICATOR, OPTICAL	WITH CONNECTION AT THE BOTTOM
30	3176 6517 00	1	NIPPLE	UN 1 1/16-R 3/4
31	3715 0589 00	1	ELBOW	UN 1 1/16 x 1 1/16
32	3176 6644 00	2	NIPPLE	R 1 1/2" x 1 5/8" UN
33	3176 6668 00	2	ELBOW	1 5/8 UN - 1 5/8 UN
34	3176 6515 00	1	NIPPLE	UN 7/8 x R 1/2
35	3715 0585 00	1	ELBOW.....	90 GRAD. UN 7/8 U x UN 7/8 I
36	3176 6513 00	1	NIPPLE	UN 3/4 x R 1/2
37	3176 3060 00	1	ELBOW	UN 3/4"
38	3176 6516 00	1	NIPPLE	R 1/2-UN 1 1/16
42	3176 5535 00	1	TEE	UN 3/4" x UN 3/4"
43	3715 6344 00	1	NIPPLE	R 1/2" x UN 9/16"
44	3176 5427 00	1	TEE	UN 9/16" x UN 9/16"
45	3715 0584 00	1	ELBOW	UN 9/16xUN 9/16
51	3176 6590 00	1	TEE	UN 7/8 x UN 7/8

Hyd. Tank / Behälter (Fittings)

Tank / Réservoir complet / Depósito / Serbatoio / Depósito

3719 0025 96



Hyd. Tank / Behälter (Fittings)

Tank / Réservoir complet / Depósito / Serbatoio / Depósito

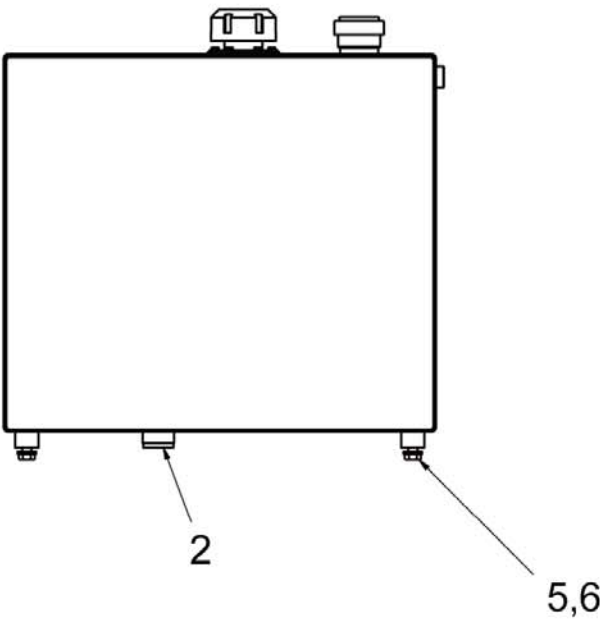
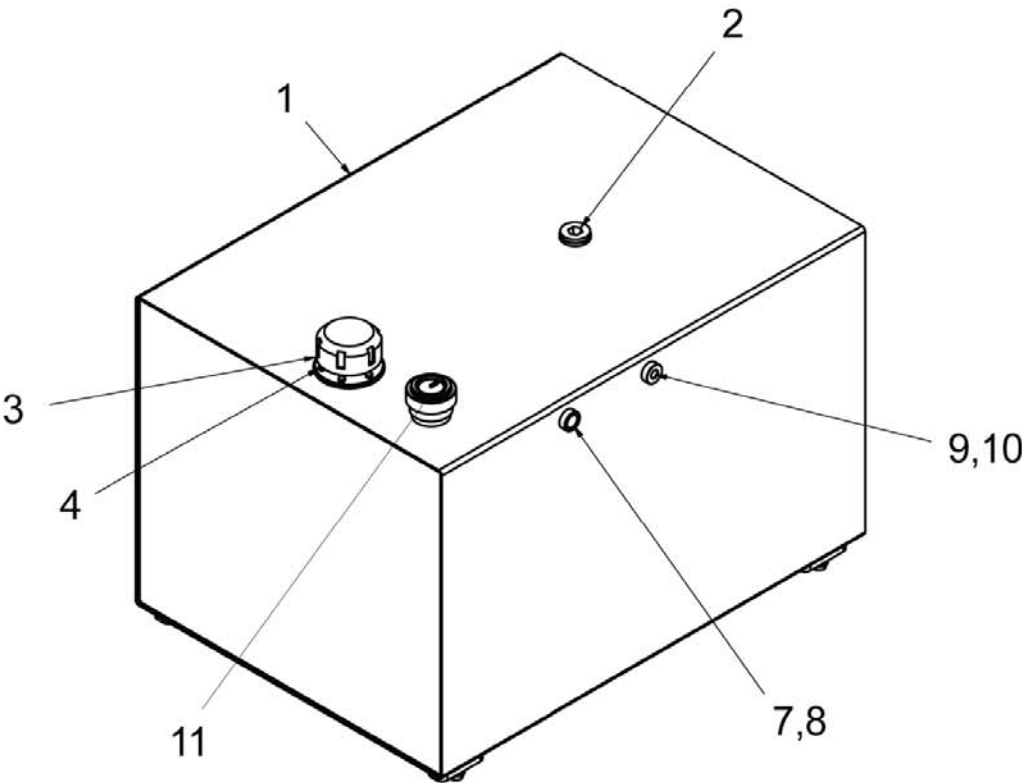
3719 0025 96

Ref. No.	Part No.	Qty.	Description	Notes
9	0301 2344 00	40	WASHER	10 BRB 10.5 x 20 x 2
23	3719 0031 28	1	HAND PUMP	P.O 3176746700
24	3176 6518 00	2	NIPPLE	R 1" x UN 1 1/16
25	3715 0589 00	3	ELBOW.....	UN 1 1/16 x 1 1/16
26	3176 7757 00	1	NIPPLE	R 3/4 UN 1 1/16-12
27	3176 6518 00	2	NIPPLE	R 1" x UN 1 1/16
28	8202 0305 01	1	SHUT-OFF VALVE	BAL 25
29	3715 0820 00	1	CAP	UN 1 1/16"-12 12FNTXS
39	0147 1364 03	2	SCREW.....	M6S 10 x 35 ISO 4017
40	0291 1111 00	2	LOCK NUT	M10 LM6M 6924-8

Fuel tank / Behälter

Tank / Réservoir complet / Depósito / Serbatoio / Depósito

3719 0025 95



Fuel tank / Behälter

Tank / Réservoir complet / Depósito / Serbatoio / Depósito

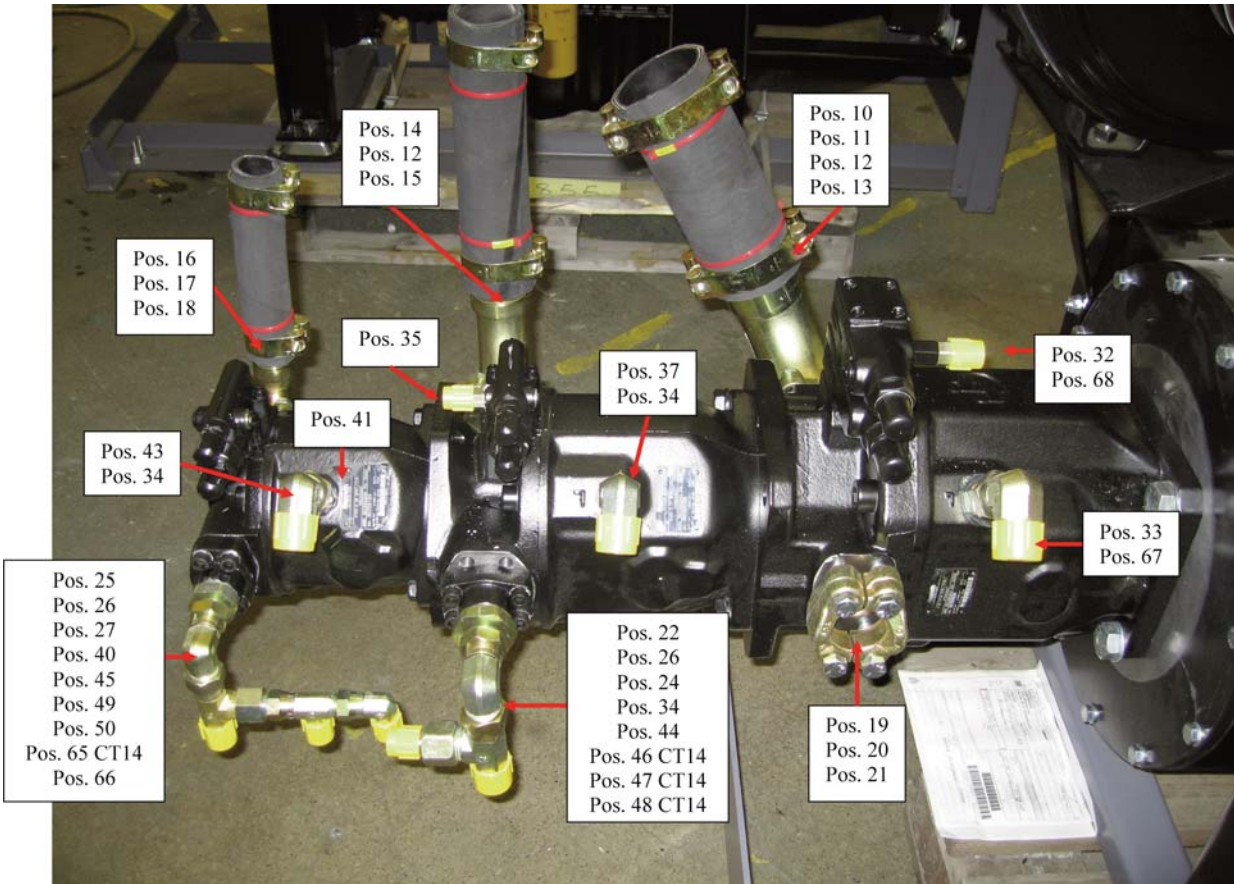
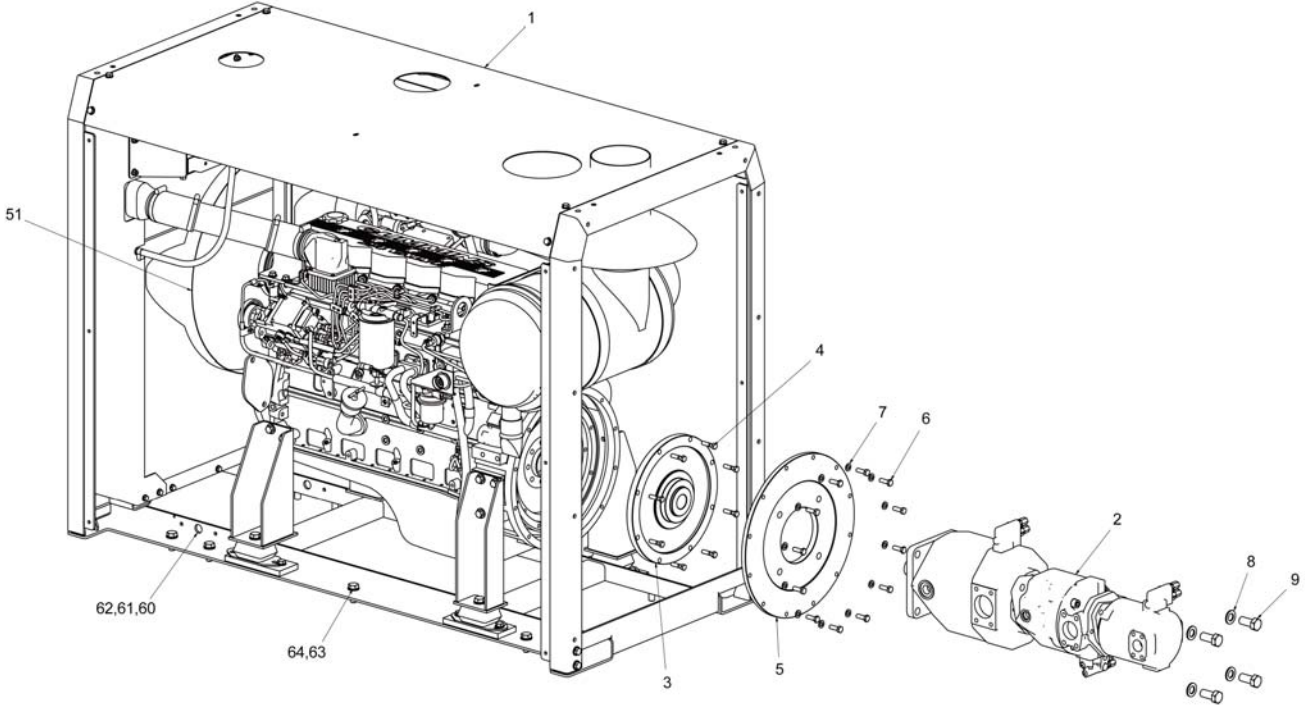
3719 0025 95

Ref. No.	Part No.	Qty.	Description	Notes
1	3719 0025 57	1	FUEL TANK	
2	0686 3718 04	2	PLUG	G 1"-ED VSTI R 1-ED
3	3718 0400 65	1	AIR BREATHER	0.35 bar opening pressure
4	0147 1208 03	6	SCREW	M6S 5x20
5	0147 1400 03	4	SCREW	M6S 12 x 25
5	0147 1401 03	4	SCREW	M12x30 FZB M6S 12 x 30
6	0301 2358 00	4	WASHER	12 BRB 13 x 24 x 2.5
7	0627 5121 00	1	PRESSURE SCREW.....	G 1/2"
8	0661 1033 00	2	SEAL WASHER	TREDO 18
9	0627 5100 09	1	PRESSURE SCREW.....	G 1/4"
10	0661 1020 00	2	SEAL WASHER	TREDO 14
11	3719 002589	1	LEVEL GAUGE.....	

Power unit / Kraftaggregat, CAT Caterpillar + Rexroth pumps

Kraftaggregat / Groupe de puissance / Unidades de accionamiento / Centralina hidraulico / Unidade de potência

3719 0034 60



Power unit / Kraftaggregat, CAT Caterpillar + Rexroth pumps

Kraftaggregat / Groupe de puissance / Unidades de accionamiento / Centralina idraulico / Unidade de potência

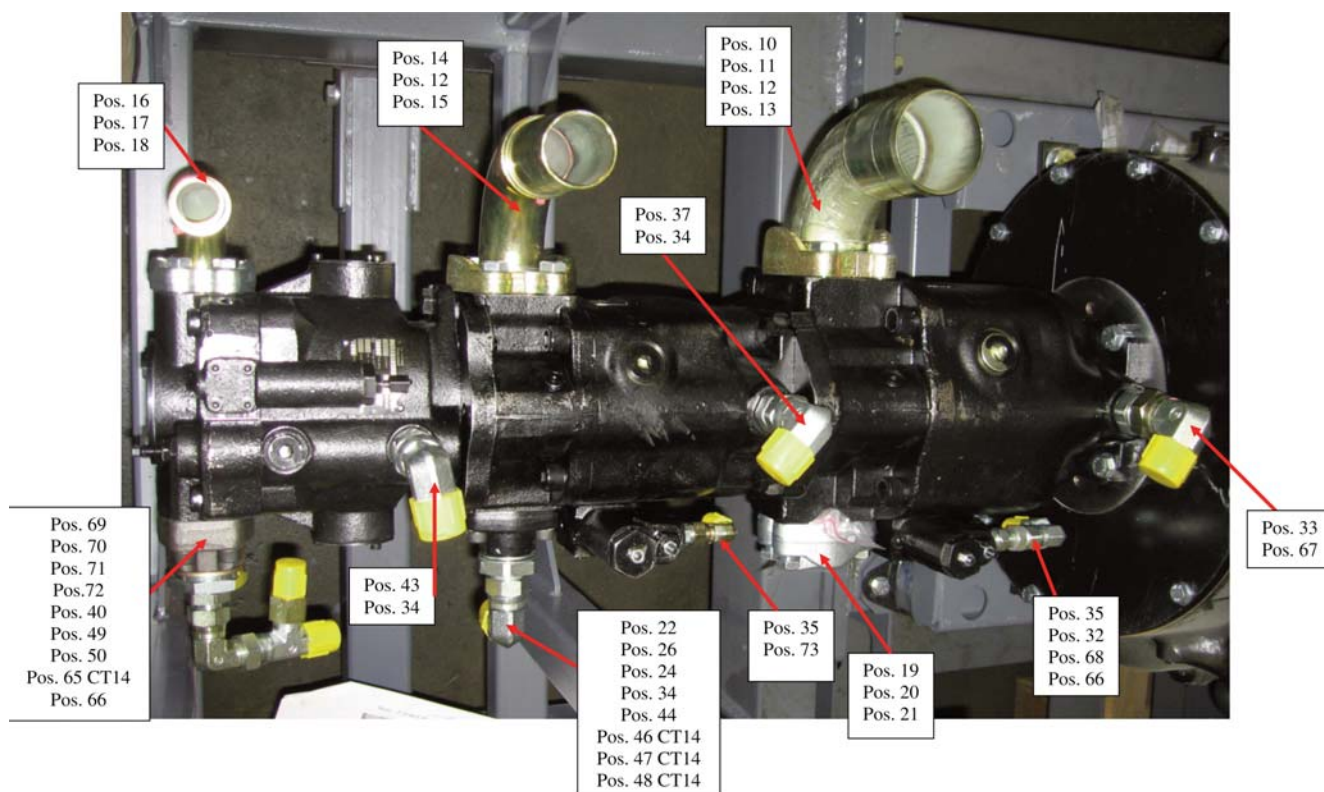
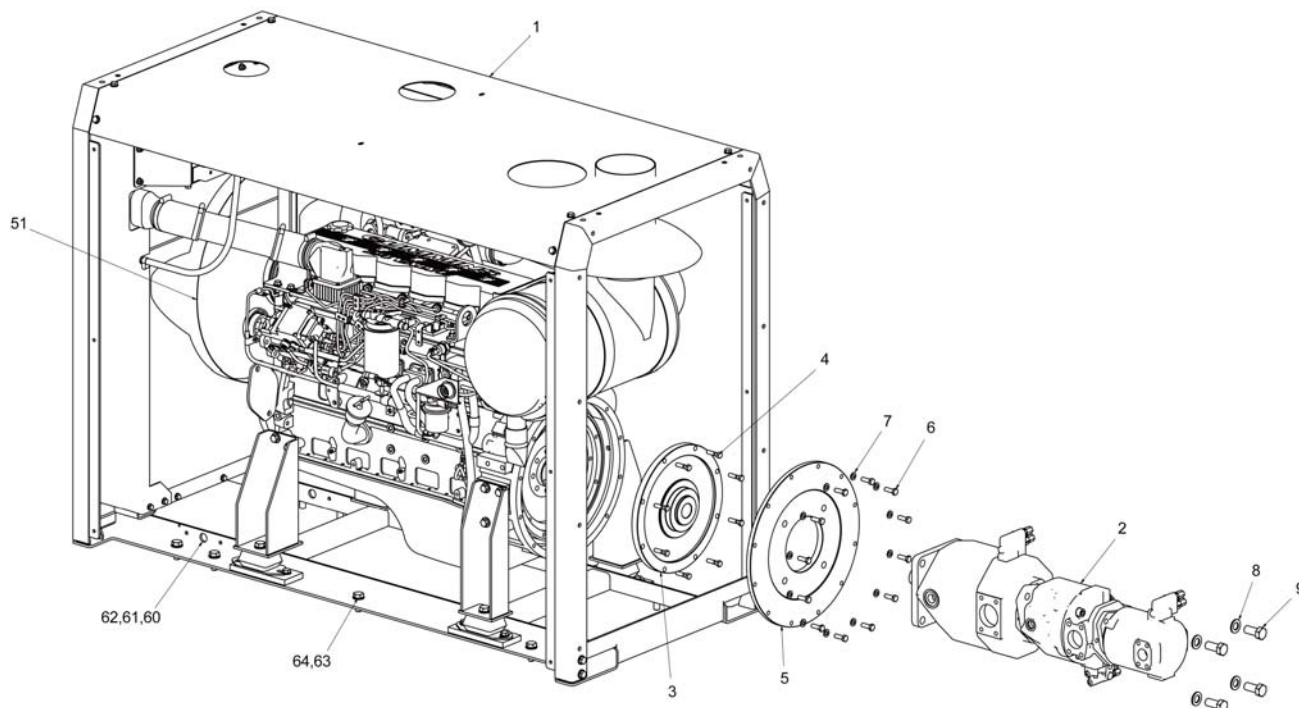
3719 0034 60

Ref. No.	Part No.	Qty.	Description	Notes
-	3719 0034 53	1	HOSE KIT, POWER UNIT CS	
1	3719 0034 56	1	POWER UNIT (B)	CAT CS14&CT14
2	3719 0031 00	1	HYDRAULIC PUMP, 140+71+28	
	3719 0011 99	1	MAIN PUMP (B)	140cc
	3719 0031 90	1	MAIN PUMP (B)	71 cc
	3719 0003 08	1	SERVICE PUMP (B)	28cc
	3719 0012 35	1	PUMP REGULATOR	A10VO140 SPARE FOR 3719001199
	3719 0012 34	2	PUMP REGULATOR	A10VO28-110
3	3719 0031 95	1	COUPLING CENTA FLEX	CAT6.6
4	0211 5161 84	8	SCREW	UNF 3/8-24 L=25
5	3719 0025 16	1	FLANGE	
6	0147 1363 03	12	SCREW	M6S 10 x 30 ISO4017
7	0301 2344 00	12	WASHER	10 BRB 10.5 x 20 x 2
8	0301 2394 00	4	WASHER	BRFB 21 x 37 x 3 FZB
9	0147 1550 03	4	SCREW	M6S M20 x 45 FZB
10	3222 0940 01	1	SUCTION PIPE	90 DEG
11	0638 0547 00	2	FLANGE HALF	2.1/2 SAE 3
12	0144 3365 03	8	SCREW	U6S 1/2 UNC X 38 8.8
13	0663 2111 37	1	O-RING	NITRIL 70 SHORE 68,26 X 3,53
14	0638 0545 00	2	FLANGE HALF	2" SAE3 51 DIAM.72.24
15	0663 9205 00	1	O-RING	56.74 x 3.53 70 GR
16	0638 0527 00	2	FLANGE HALF	1.1/4 SAE 3 32 dia. 51.59 SAE J
17	0144 4001 96	4	SCREW	U6S 7/16 UNC X 38 8.8 FZB
18	0663 9191 01	1	O-RING	37.69 x 3.53 90 GR
19	0638 0500 02	2	FLANGE HALF	1.1/4 SAE 6 32 DIAM. 54.8
20	0144 3366 03	4	SCREW	U6S 1/2 UNC X 45 8.8
21	0663 9191 01	1	O-RING	37.69 x 3.53 90 GR
22	3719 0030 91	1	FLANGE	SAE3 G1" BLACK
24	0663 9188 01	1	O-RING	32.92 x 3.53
25	3719 0030 92	1	FLANGE	SAE3 G3/4"
26	0211 5288 00	8	CAP SCREW	UC6S 3/8" x 32
27	0663 9182 01	1	O-RING	24.99 x 3.53 90SH Nitrile
32	3176 6531 00	1	NIPPLE	UN 9/16 x UN 3/4
33	3176 6536 00	1	NIPPLE	1 5/16"UN x 1 1/16"UN
34	3715 0589 00	3	ELBOW	UN 1 1/16 x 1 1/16
35	3716 1581 00	1	NIPPLE	7/16-20UN X9/16-18UN
37	3176 6535 00	1	NIPPLE	JIC 1.1/16 X UNF 7/8
40	3715 0585 00	1	ELBOW	90 GRAD. UN 7/8 U x UN 7/8 I
41	3176 7868 03	1	PLUG	UN 7/16"
43	0570 5010 40	1	NIPPLE	F50XS20-3/4
44	3176 6518 00	1	NIPPLE	R 1" x UN 1 1/16
45	3176 2131 00	1	NIPPLE	UN 7/8 x R 3/4
46	3176 6591 00	1	TEE	UN 1 1/16"
47	3176 6504 00	1	NIPPLE	1 1/16-12 3/4-16
48	3176 2930 00	1	NUT	UN 1 1/16"
49	3176 6590 00	1	TEE	UN 7/8 x UN 7/8
50	3176 7336 00	1	NIPPLE	UN 3/4 x 7/8
60	3715 0189 00	1	CHAIN	L = 0.3m
61	3176 4508 00	1	SWITCH	0341.003.004 2 POLIG
62	3715 3840 00	2	RING	20 MM
63	0301 2178 01	10	WASHER	16 BRB 17 x 30 x 3
64	0147 1477 03	10	SCREW	M16x40 FZB M6S 16 x 40 DIN 933
65	3176 5535 00	1	TEE	UN 3/4" x UN 3/4"
66	3176 3060 00	1	ELBOW	UN 3/4"
67	3176 6039 00	1	ELBOW	UN 1 5/16"-12
68	3176 6981 00	1	NIPPLE	3/4-16 UN x 7/8-14 UN

Power unit / Kraftaggregat, CAT Caterpillar + Parker pumps

Kraftaggregat / Groupe de puissance / Unidades de accionamiento / Centralina idraulico / Unidade de potência

3719 0040 44



Power unit / Kraftaggregat, CAT Caterpillar + Parker pumps

Kraftaggregat / Groupe de puissance / Unidades de accionamiento / Centralina idraulico / Unidade de potência

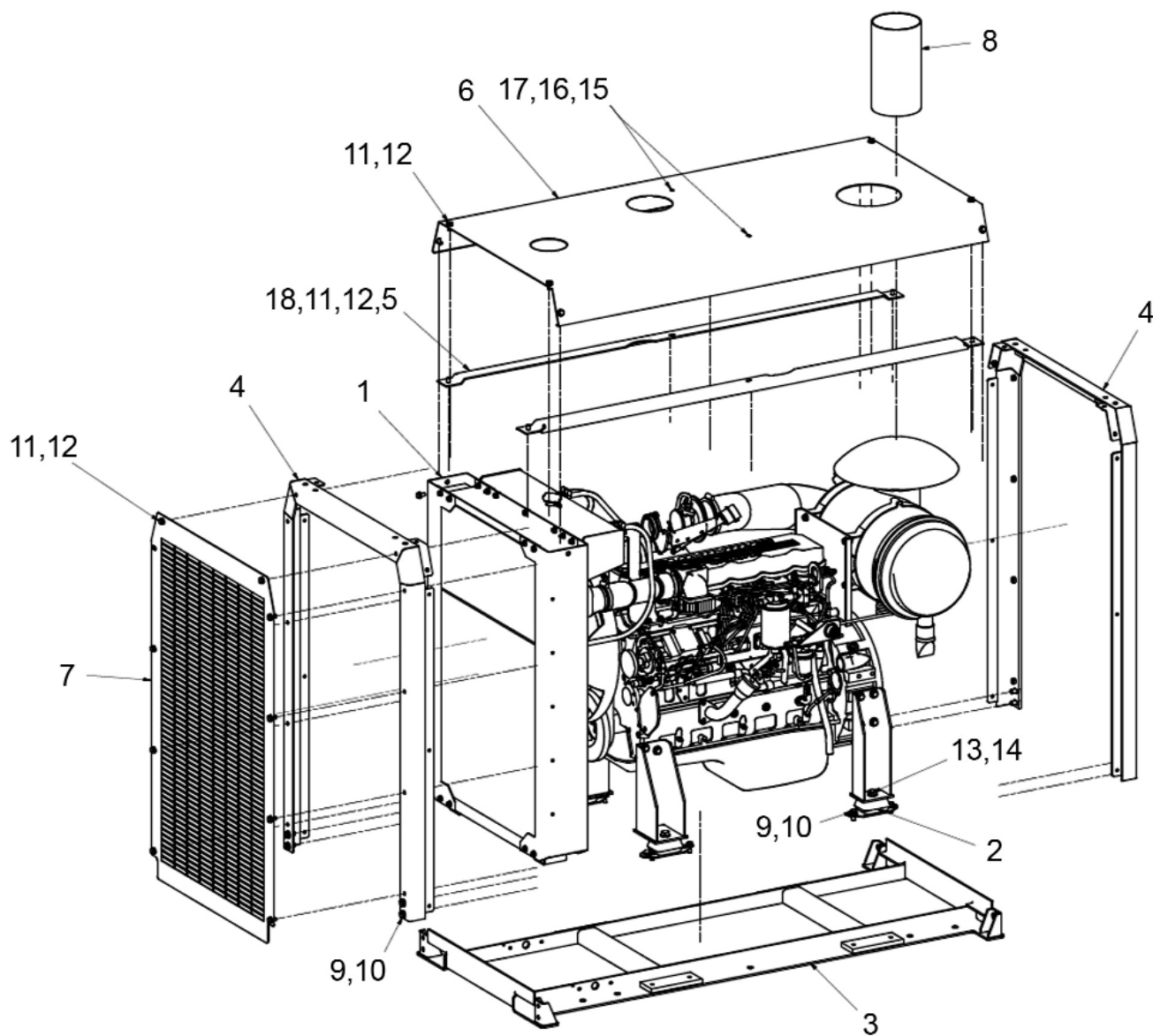
3719 0040 44

Ref. No.	Part No.	Qty.	Description	Notes
-	3719 0034 53	1	HOSE KIT, POWER UNIT CS	
1	3719 0034 56	1	PAKET - POWER U./CAT CS14&CT14.....	
2	3719 0040 18	1	HYDRAULIC PUMP, 140+75+28	PARKER
-	3719 0040 41	1	HYDRAULIC PUMP, MAIN PUMP	P1, 140cc
-	3719 0048 53	1	PACKING KIT, MAIN PUMP	P1, 140cc
-	3719 0040 42	1	HYDRAULIC PUMP, MAIN PUMP	P2, 75cc
-	3719 0048 54	1	PACKING KIT, MAIN PUMP	P2, 75cc
-	3719 0040 43	1	HYDRAULIC PUMP, SERVICE PUMP	P3, 28(33)cc/PVT15
-	3719 0048 43	1	PACKING KIT, SERVICE PUMP	P3, PVT15 33cc
-	3719 0048 41	1	PUMP REGULATOR	P1
-	3719 0048 42	1	PUMP REGULATOR	PVT15
3	3719 0031 95	1	COUPLING CENTA FLEX	
4	0211 5161 84	8	SCREW	UNF 3/8-24 L=25
5	3719 0025 16	1	FLANGE	
6	0147 1363 03	12	SCREW	M6S 10 x 30 ISO4017
7	0301 2344 00	12	WASHER	10 BRB 10.5 x 20 x 2
8	0301 2394 00	4	WASHER	BRFB 21 x 37 x 3 FZB
9	0147 1550 03	4	SCREW	M6S M20 x 45 FZB
10	3222 0940 01	1	SUCTION PIPE	90 DEG
11	0638 0547 00	2	FLANGE HALF	2.1/2 SAE 3
12	0144 3365 03	8	SCREW	U6S 1/2 UNC X 38 8.8
13	0663 2111 37	1	O-RING	NITRIL 70 SHORE 68,26 X 3,53
14	0638 0545 00	2	FLANGE HALF	2" SAE3 51 DIAM.72.24
15	0663 9205 00	1	O-RING	56.74 x 3.53 70 GR
16	0638 0527 00	2	FLANGE HALF	1.1/4 SAE 3 32 dia. 51.59 SAE J
17	0144 4001 96	4	SCREW	U6S 7/16 UNC X 38 8.8 FZB
18	0663 9191 01	1	O-RING	37.69 x 3.53 90 GR
19	0638 0500 02	2	FLANGE HALF	1.1/4 SAE 6 32 DIAM. 54.8
20	0144 3366 03	4	SCREW	U6S 1/2 UNC X 45 8.8
21	0663 9191 01	1	O-RING	37.69 x 3.53 90 GR
22	3719 0030 91	1	FLANGE	SAE3 G1" BLACK
24	0663 9188 01	1	O-RING	32.92 x 3.53
26	0211 5288 00	4	CAP SCREW	UC6S 3/8" x 32
32	0570 5000 10	1	NIPPLE	UNF 9/16 - UNF 3/4
33	3176 6537 00	1	NIPPLE	1 5/16"UN x 1 5/16"UN
34	3715 0589 00	3	ELBOW	UN 1 1/16 x 1 1/16
35	3716 1581 00	2	NIPPLE	7/16-20UN X9/16-18UN
37	3176 6301 00	1	NIPPLE	UN 1 1/16"-UN 1 1/16
40	3177 3046 00	1	NIPPLE	R3/4"-UN7/8"
43	0570 5010 40	1	NIPPLE	F50XS20-3/4
44	3176 6518 00	1	NIPPLE	R 1" x UN 1 1/16
46	3176 6591 00	1	TEE	UN 1 1/16"
47	3176 6504 00	1	NIPPLE	1 1/16-12 3/4-16
48	3176 2930 00	1	NUT	UN 1 1/16"
49	3176 6590 00	1	TEE	UN 7/8 x UN 7/8
50	3176 7336 00	1	NIPPLE	UN 3/4 x 7/8
60	3715 0189 00	1	CHAIN	L=0,3 M
61	3176 4508 00	1	SWITCH	0341.003.004 2 POLIG
62	3715 3840 00	2	RING	20 MM
63	0301 2178 01	10	WASHER	16 BRB 17 x 30 x 3
64	0147 1477 03	10	SCREW	M16x40 FZB M6S 16 x 40 DIN 933
65	3176 5535 00	1	TEE	UN 3/4" x UN 3/4"
66	3715 0585 00	2	ELBOW	90 GRAD. UN 7/8 U x UN 7/8 I
67	3176 6039 00	1	ELBOW	UN 1 5/16"-12
68	3176 6981 00	1	NIPPLE	3/4-16 UN x 7/8-14 UN
69	3719 0040 39	1	FLANGE	SAE3 R 1 1/4"
70	0663 9191 01	1	O-RING	37.69 x 3.53 90 GR
71	0211 5328 00	4	CAP SCREW	UC6S UNC 7/16" x 38
72	3719 0040 40	1	BUSHING	G THREAD UT. G11/4 IN. G3/4
73	3715 0584 00	1	ELBOW	UN 9/16xUN 9/16

Power unit / Kraftaggregat, CAT Caterpillar

Kraftaggregat / Groupe de puissance / Unidades de accionamiento / Centralina idraulico / Unidade de potência

3719 0034 56



Power unit / Kraftaggregat, CAT Caterpillar

Kraftaggregat / Groupe de puissance / Unidades de accionamiento / Centralina idraulico / Unidade de potência

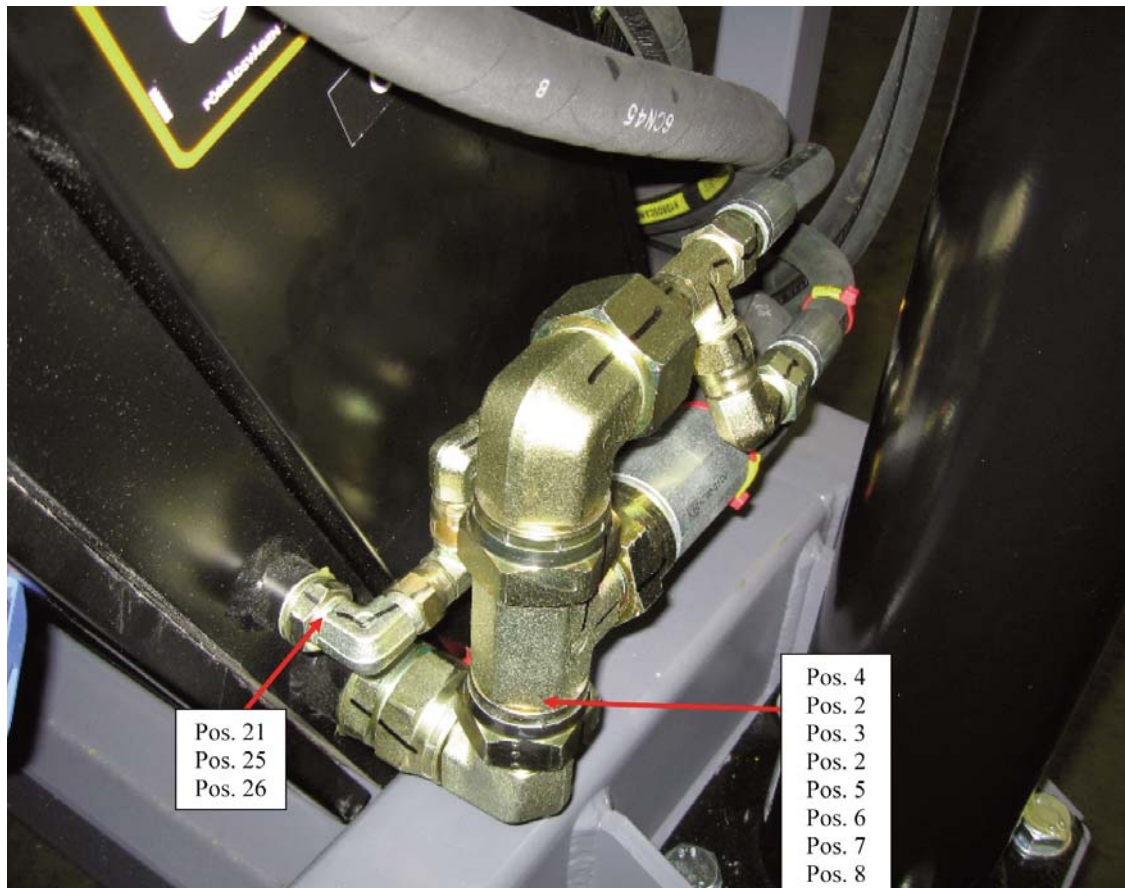
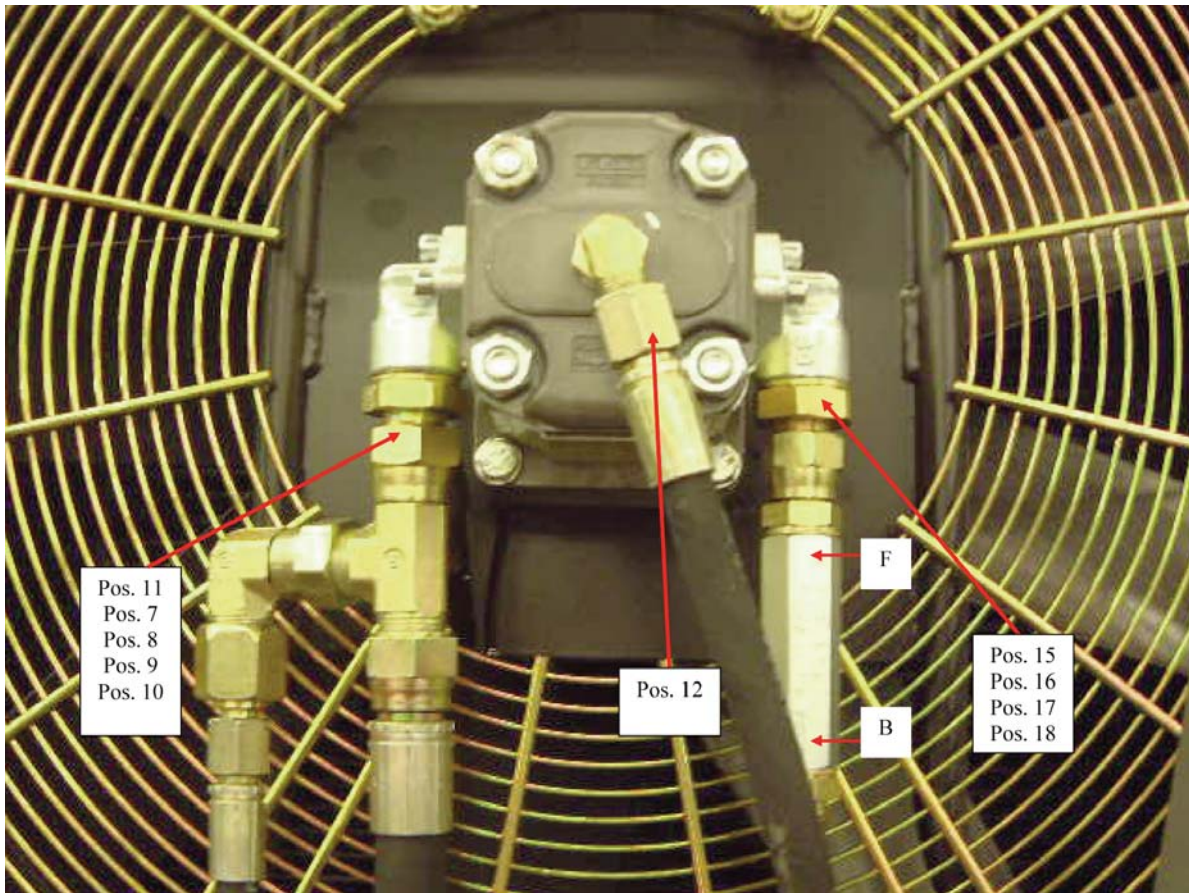
3719 0034 56

Ref. No.	Part No.	Qty.	Description	Notes
-	3719 0040 16	1	POWER UNIT C6.6 COMPLETE	
-	3719 0035 06	1	FUEL HOSE KIT	CS14/CT14
-	3719 0034 57	1	PREFILTER KIT	CAT CS14 & CT14
-	3719 0034 59	1	ELECTRIC KIT	CAT CS14 & CT14
1	3719 0031 93	1	DIESEL ENGINE	CAT C6.6-159kW
2	3719 0034 54	4	ISOLATOR RUBBER DAMPER	
9	0301 2358 00	8	WASHER	12 BRB 13 x 24 x 2.5
10	0147 1400 03	8	SCREW	M6S 12 x 25
13	0147 1476 03	4	SCREW	M16X35 FZB M6S 16 x 35
14	0301 2178 01	4	WASHER	16 BRB 17 x 30 x 3
20	3176 6564 00	1	ELBOW	R 1/2 x UN 3/4-16
21	3176 8270 00	1	NIPPLE	UN 3/4" x R 3/8"
22	3719 0029 02	1	VALVE, FLOW CONTROL	22L
23	3176 6512 00	1	NIPPLE	R 3/8 - UN 3/4
24	3176 6515 00	1	NIPPLE	UN 7/8 x R 1/2
25	3176 6036 00	1	TEE	UN 7/8 x UN 7/8
26	3176 6502 00	1	NIPPLE	UN 7/8" x UN 9/16"
27	3176 6616 00	1	NUT	UN 7/8
28	0574 0255 11	1	HOSE	L=400 6xR2 JIC 9/16-18
29	3176 6351 00	1	ELBOW	R 1/4 x UN 9/16-18
-	3719 0031 74	1	MAINTENANCE KIT CAT C6.6.	(Original)
-		1	Primary Air Cleaner	
-		1	Secondary Air Cleaner	
-		1	Oil Filter.	
-		1	Secondary Fuel Filter	
-		1	Primary Fuel Filter	
-		1	Belt.	
-	3719 0035 74	1	MAINTENANCE KIT CAT C6.6/3FF	(THREE FUEL FILTERS)
-		1	Primary Air Cleaner	
-		1	Secondary Air Cleaner	
-		1	Oil Filter.	
-		1	Tertiary Fuel Filter	
-		1	Secondary Fuel Filter	
-		1	Primary Fuel Filter	
-		1	Belt.	

Power unit / Kraftaggregat, Air/Oil cooler / Ölkühler (Fittings)

Oljekylare / Refroidisseur d'huile / Refrigerador de aceite / Scambiatore de calore / Arrefecedor de óleo

3719 0029 27



Power unit / Kraftaggregat, Air/Oil cooler / Ölkühler (Fittings)

Oljekylare / Refroidisseur d'huile / Refrigerador de aceite / Scambiatore de calore / Arrefecedor de óleo

3719 0029 27

Ref. No.	Part No.	Qty.	Description	Notes
2	3176 6668 00	4	ELBOW	1 5/8 UN - 1 5/8 UN
3	3176 6690 00	1	TEE	JIC 1.5/8X1.5/8IRX1.5/8LS
4	3176 6643 00	1	NIPPLE	R 1 1/4" x 1 5/8"-12 UN
5	3176 6639 00	1	NIPPLE	UN 1 5/8" x 7/8"
6	3176 6787 00	1	NUT	1 5/8" UN
7	3176 6590 00	2	TEE	UN 7/8 x UN 7/8
8	3715 0585 00	2	ELBOW	90 GRAD. UN 7/8 U x UN 7/8 I
9	3176 6502 00	1	NIPPLE	UN 7/8" x UN 9/16"
10	3176 6616 00	1	NUT.....	UN 7/8
11	3176 6515 00	1	NIPPLE	UN 7/8 x R 1/2
12	3176 6351 00	1	ELBOW	R 1/4 x UN 9/16-18
15	3176 6513 00	1	NIPPLE	UN 3/4 x R 1/2
16	3176 8270 00	1	NIPPLE	UN 3/4" x R 3/8"
17	3719 0026 82	1	VALVE, FLOW CONTROL	13L
18	3176 6512 00	1	NIPPLE	R 3/8 - UN 3/4
21	3176 6564 00	1	ELBOW	R 1/2 x UN 3/4-16
25	3176 5535 00	1	TEE	UN 3/4" x UN 3/4"
26	3176 3060 00	1	ELBOW	UN 3/4"

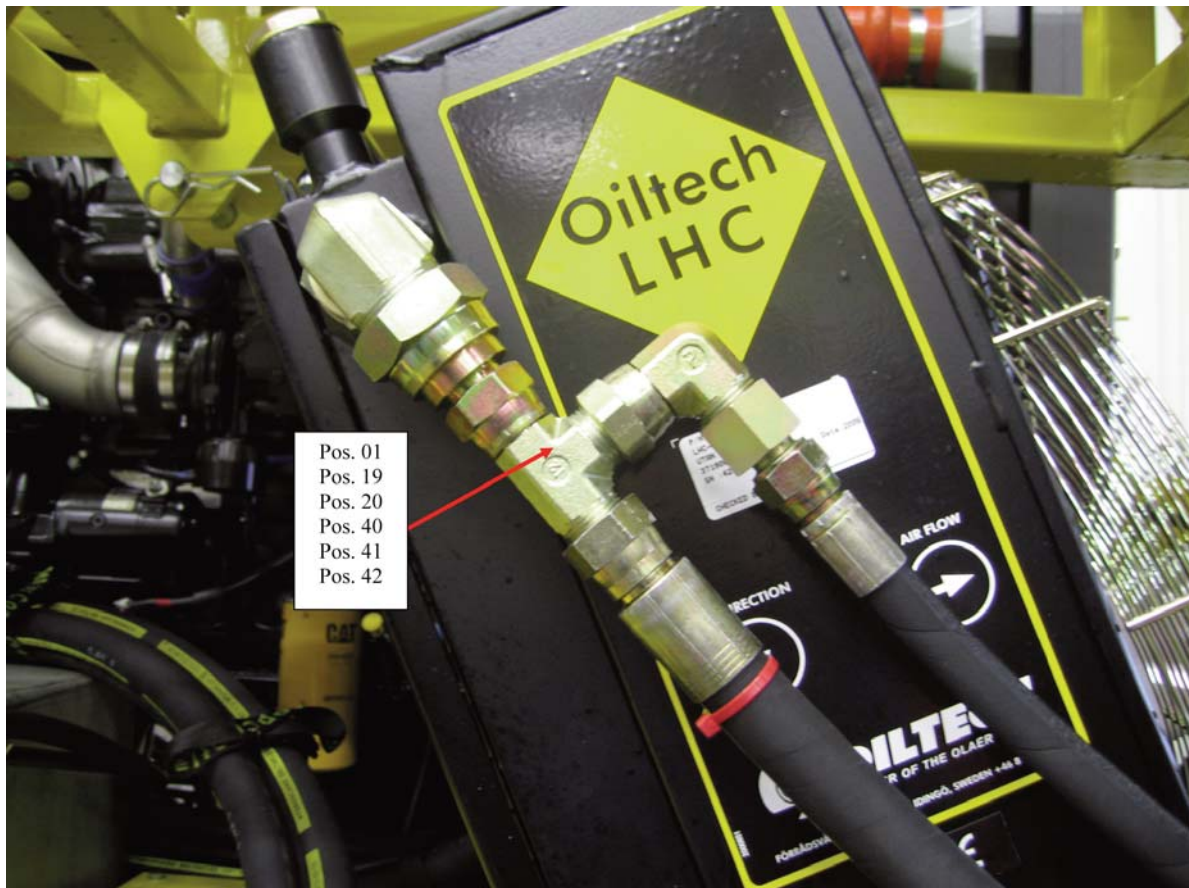
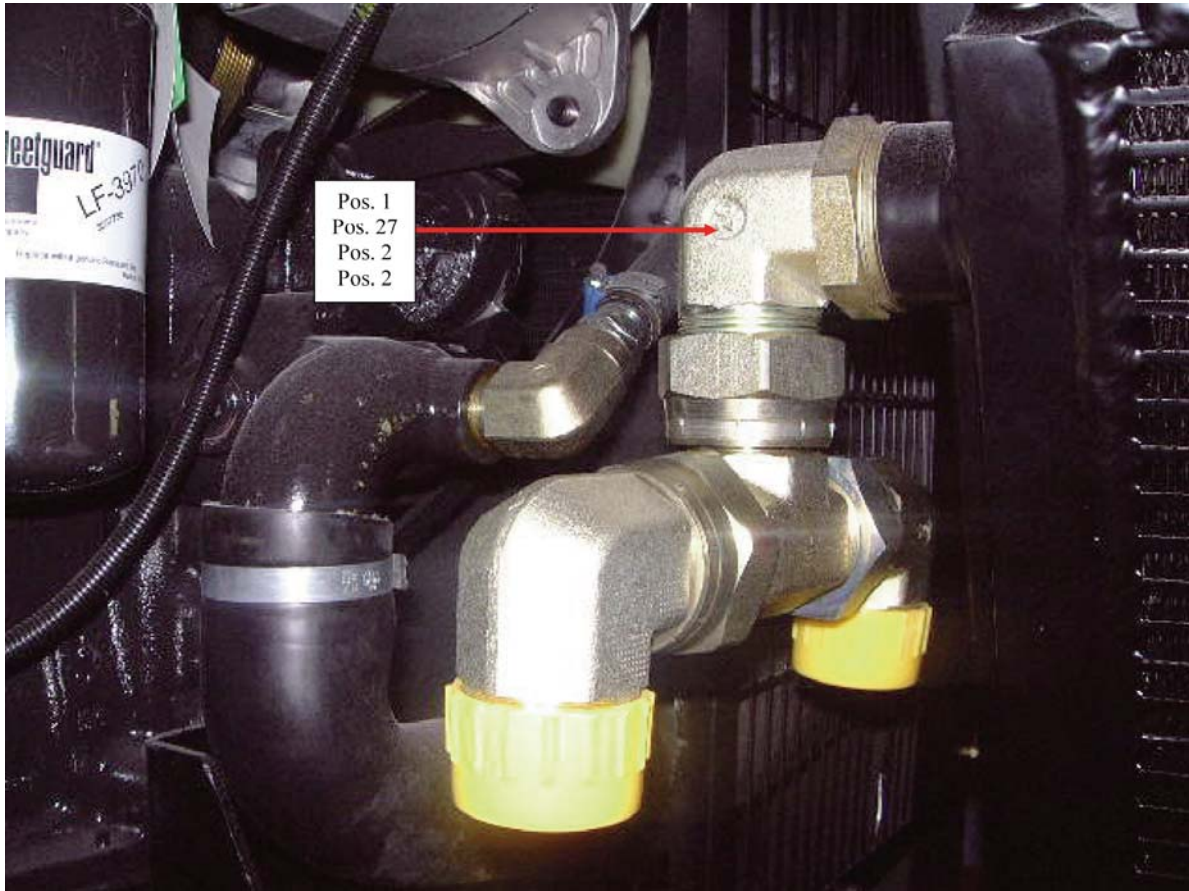
Oil Cooler kit 3719 0025 56

-	3719 0035 54	1	HYD. MOTOR	8CC FOR OIL COOLER LHC-044 & LHC-033
-	3719 0035 55	1	SUPPORT BEARING FOR HYD.M. 8CC.....	
-	3719 0035 56	2	CONNECTION FOR HYD. MOTOR 8CC	
-	3719 0035 57	1	ELEMENT WITH BYPASS VALVE 5bar.....	LHC-044
-	3719 0035 58	1	BYPASS VALVE 5 bar	LHC-044

Power unit / Kraftaggregat, Air/Oil cooler / Ölkühler (Fittings)

Oljekylare / Refroidisseur d'huile / Refrigerador de aceite / Scambiatore de calore / Arrefecedor de óleo

3719 0029 27



Power unit / Kraftaggregat, Air/Oil cooler / Ölkühler (Fittings)

Oljekylare / Refroidisseur d'huile / Refrigerador de aceite / Scambiatore de calore / Arrefecedore de óleo

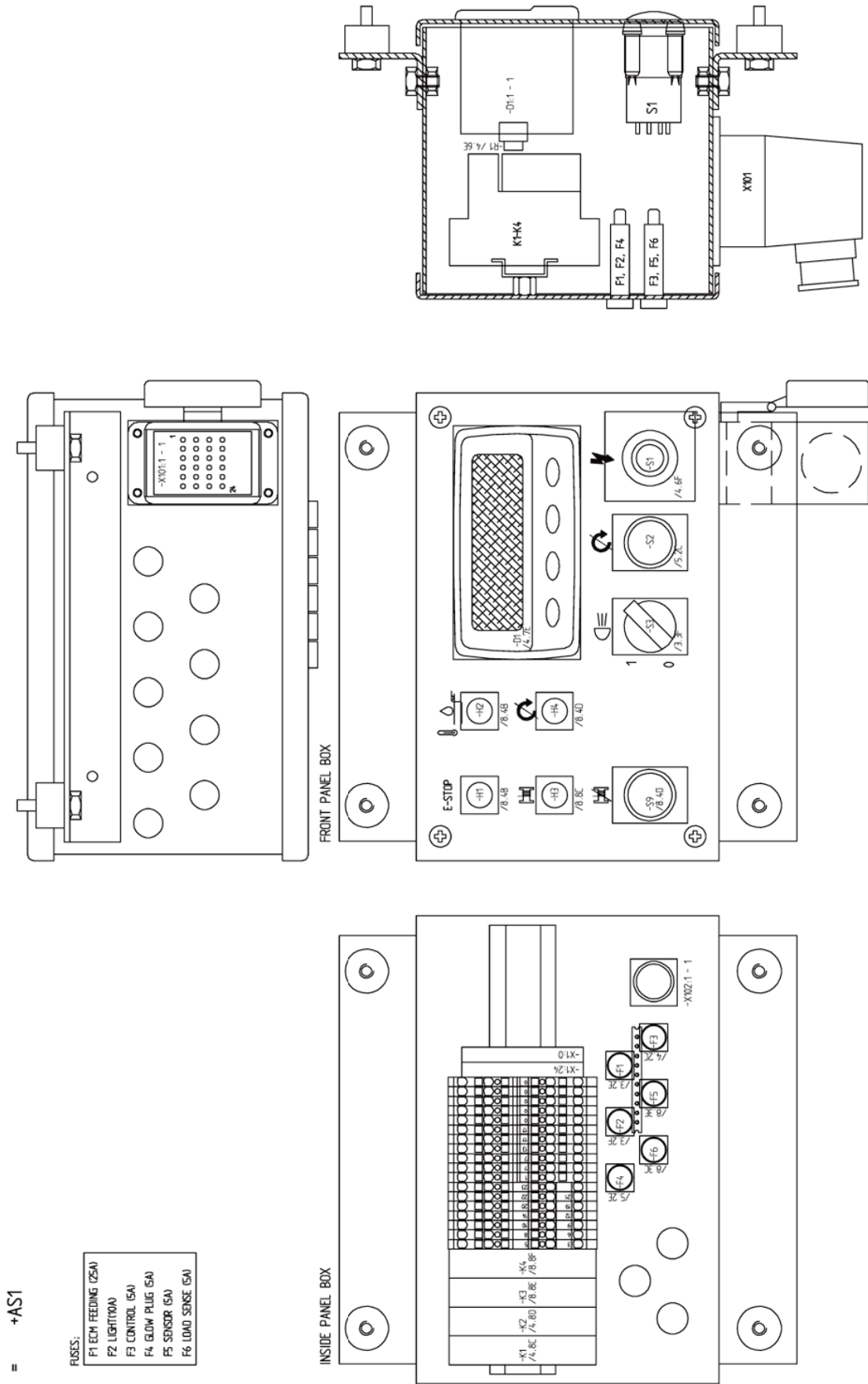
3719 0029 27

Ref. No.	Part No.	Qty.	Description	Notes
1	3176 6673 00	2	ELBOW	R1 1/4 x 1 5/8-12UN
2	3176 6668 00	4	ELBOW	1 5/8 UN - 1 5/8 UN
19	3176 6640 00	1	NIPPLE	1 5/8-12/1 1/16-12
20	3176 2930 00	2	NUT.....	UN 1 1/16"
27	-	1	
40	3176 6505 00	1	NIPPLE	UN 1 1/16 x 7/8
41	3715 0589 00	1	ELBOW.....	UN 1 1/16 x 1 1/16
42	3176 6591 00	1	TEE	UN 1 1/16"

Electrical wiring diagram

CAT C6.6 Start panel, Diesel

3719 0031 94



= +AS1

FUSES:

F1	ECH FEEDING (25A)
F2	LIGHT(10A)
F3	CONTROL (5A)
F4	GLOW PLUG (5A)
F5	SENSOR (5A)
F6	LOAD SENSE (5A)

Electrical wiring diagram

CAT C6.6 Start panel, Diesel

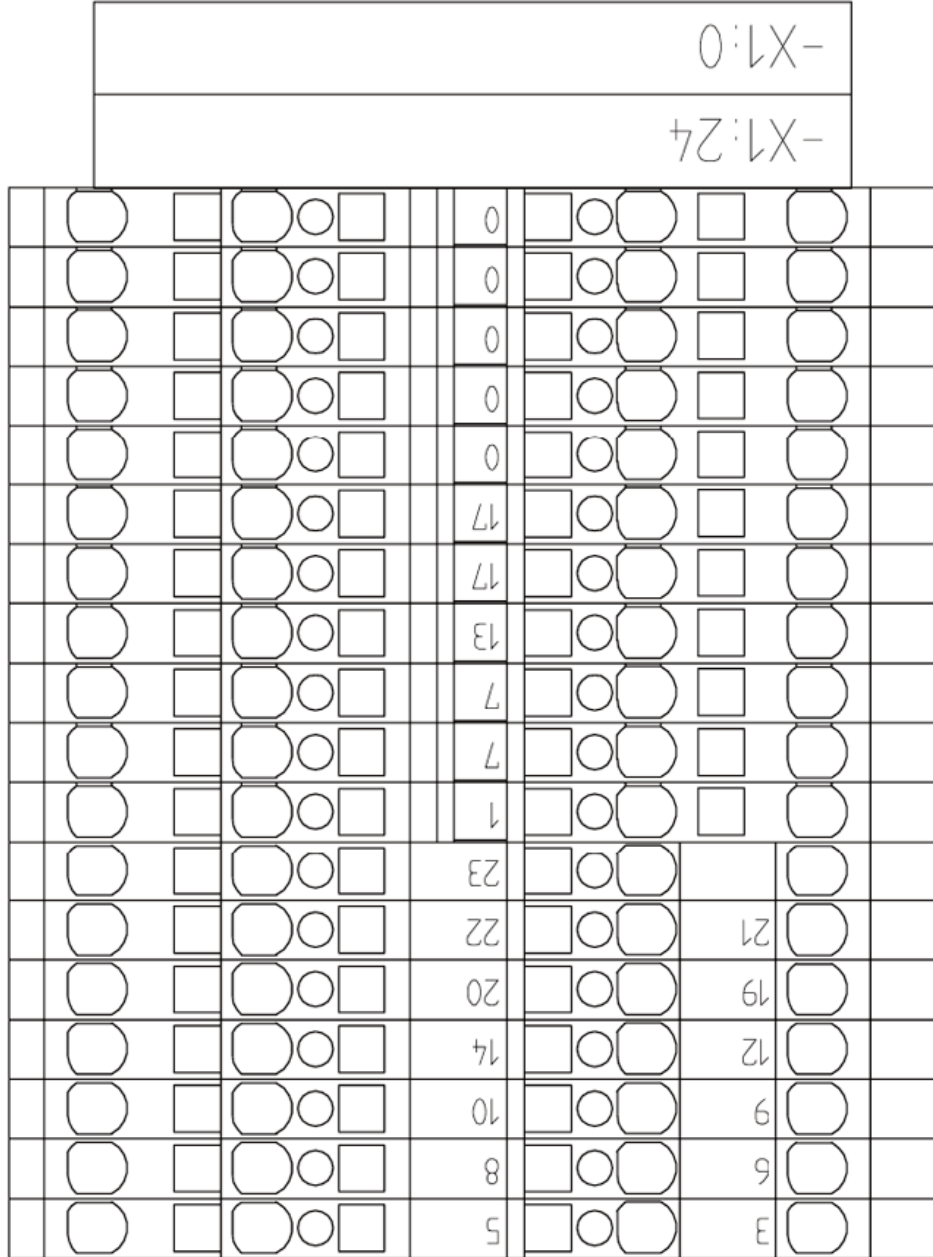
3719 0031 94

Ref. No.	Part No.	Qty.	Description	Notes
----------	----------	------	-------------	-------

Electrical wiring diagram

CAT C6.6 Start panel, Diesel

3719 0031 94



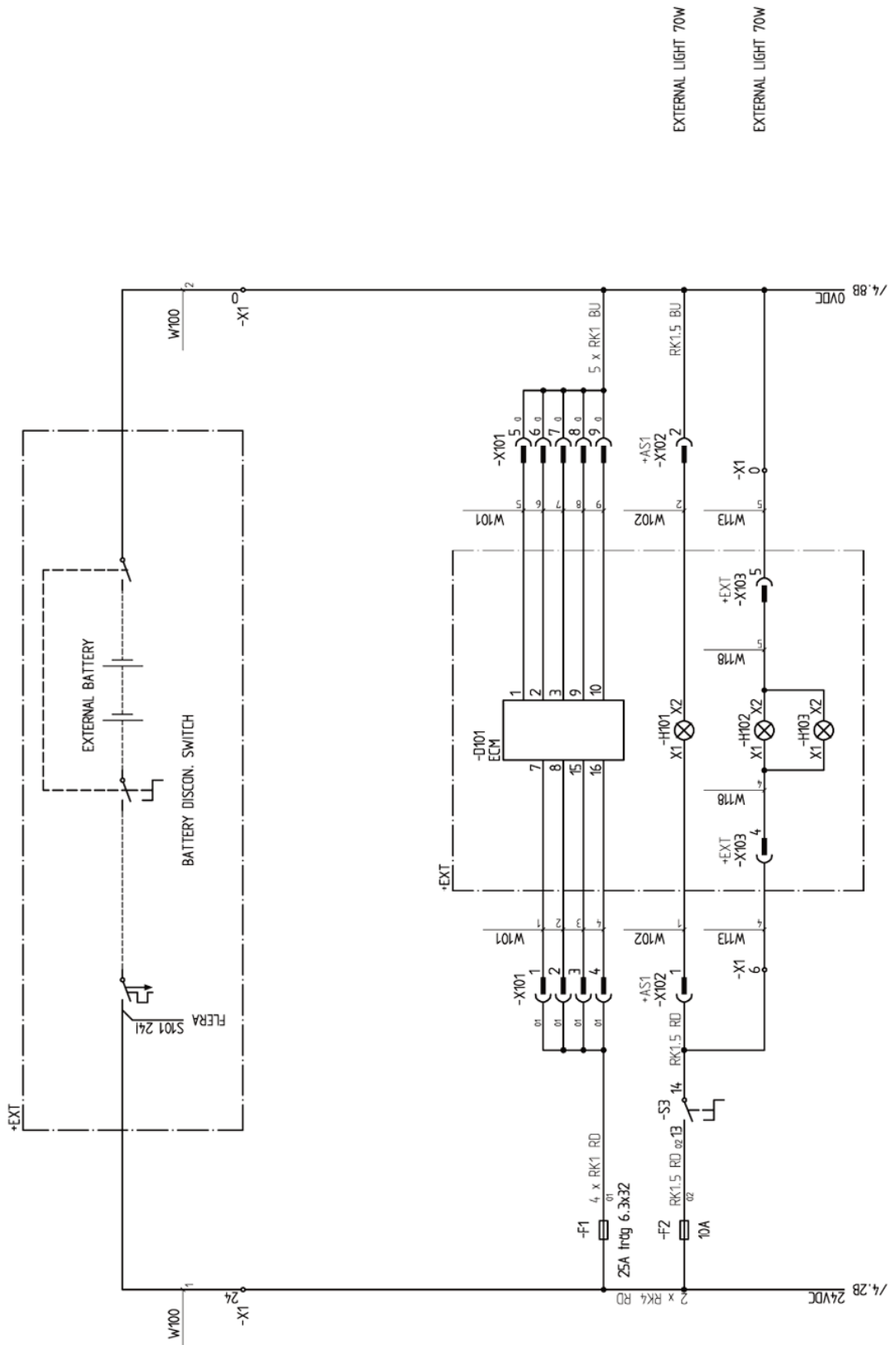
+

Electrical wiring diagram

CAT C6.6 Start panel, Diesel

3719 0031 94

+AS1

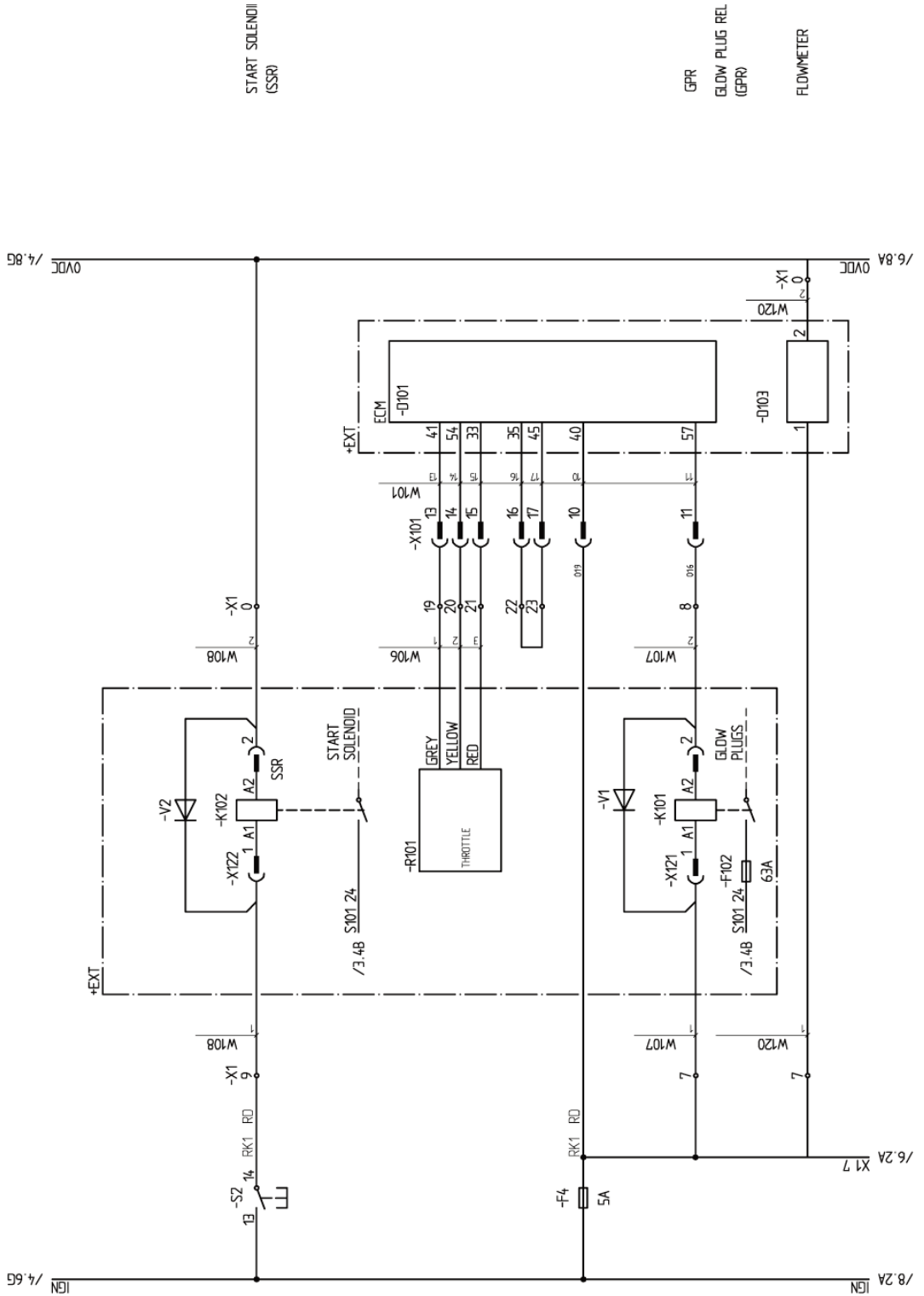


Electrical wiring diagram

CAT C6.6 Start panel, Diesel

3719 0031 94

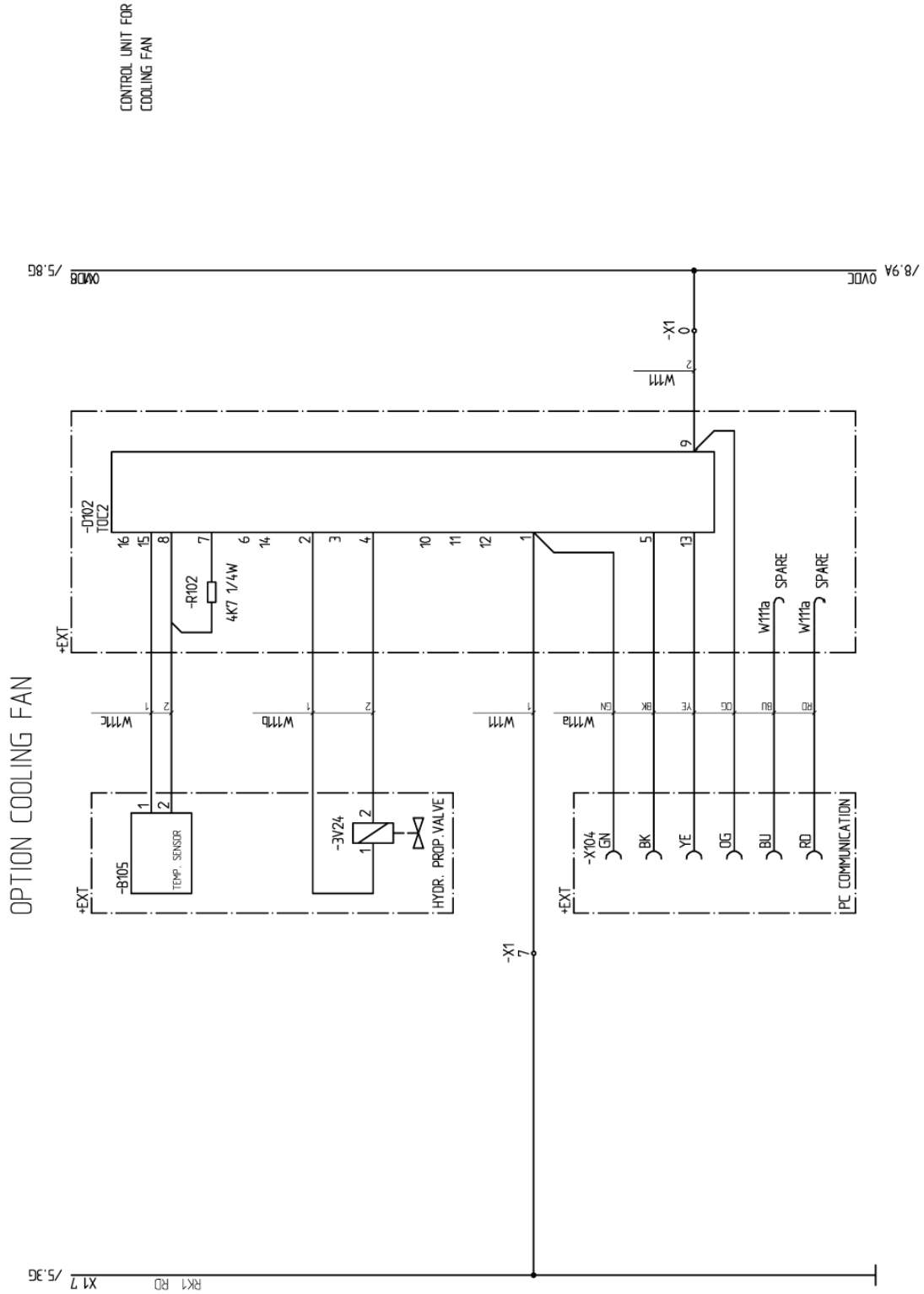
+AS1



Electrical wiring diagram

CAT C6.6 Start panel, Diesel

3719 0031 94



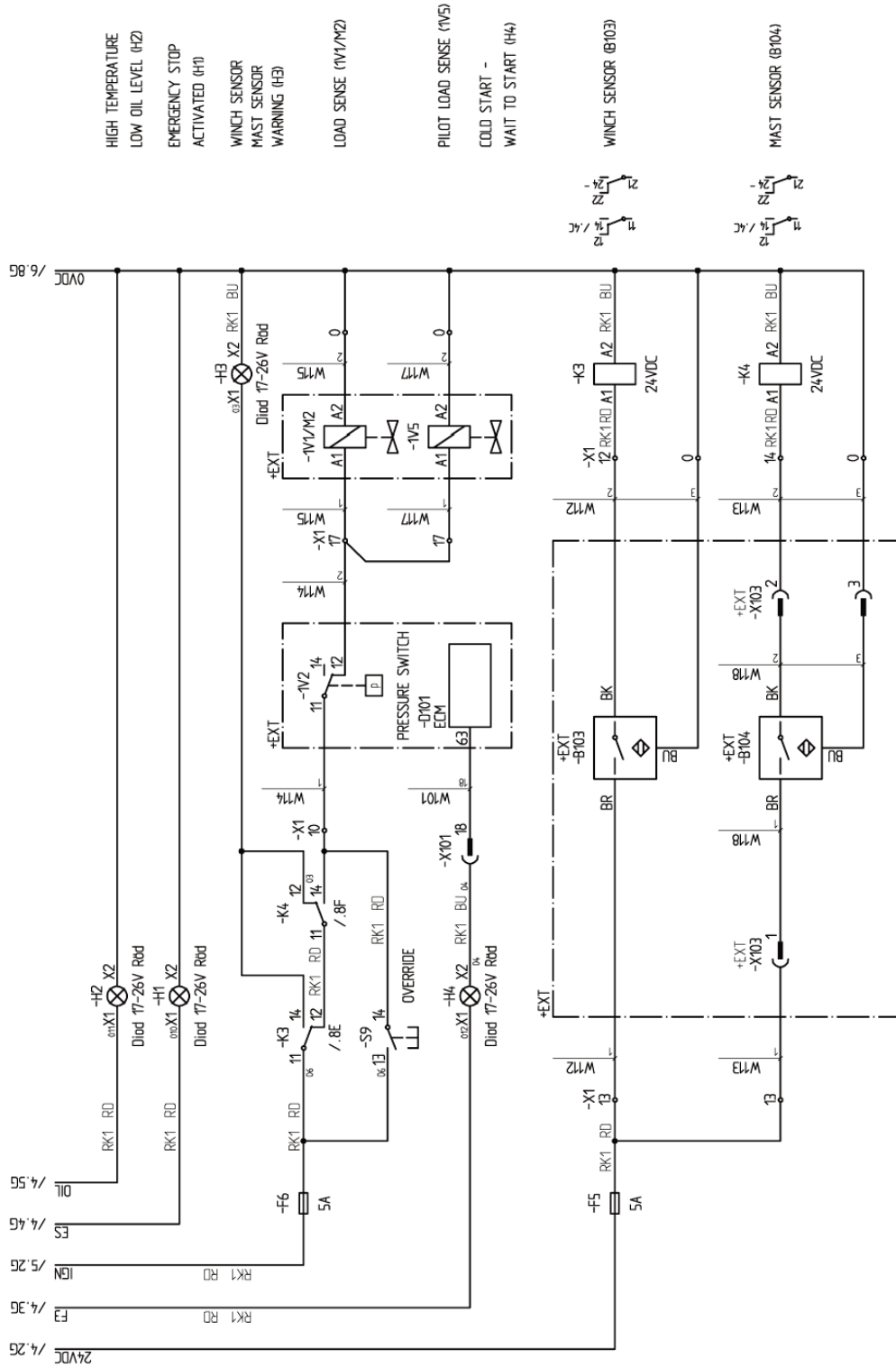
+AS1

Electrical wiring diagram

CAT C6.6 Start panel, Diesel

3719 0031 94

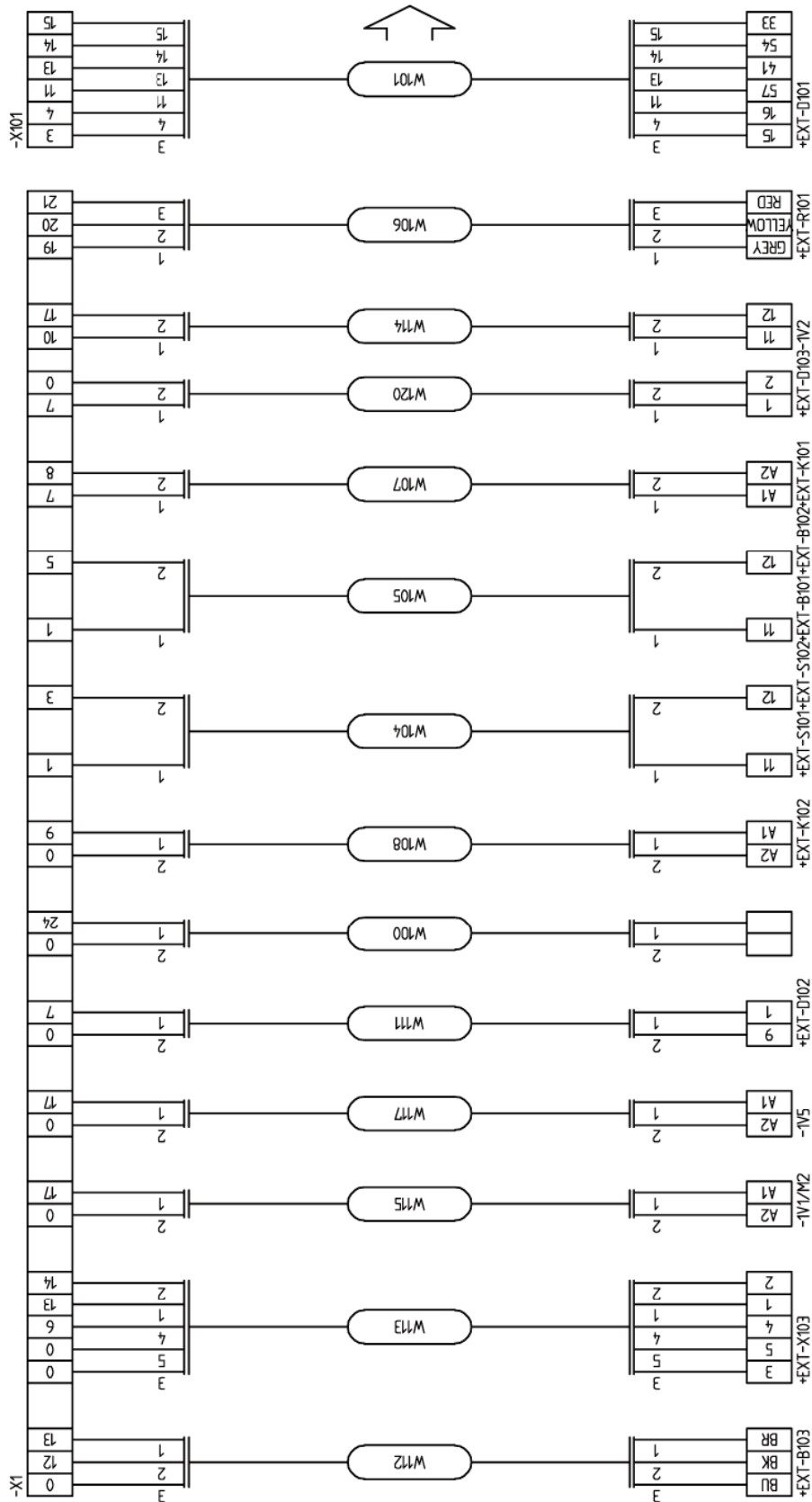
+AS1



Electrical wiring diagram

CAT C6.6 Start panel, Diesel

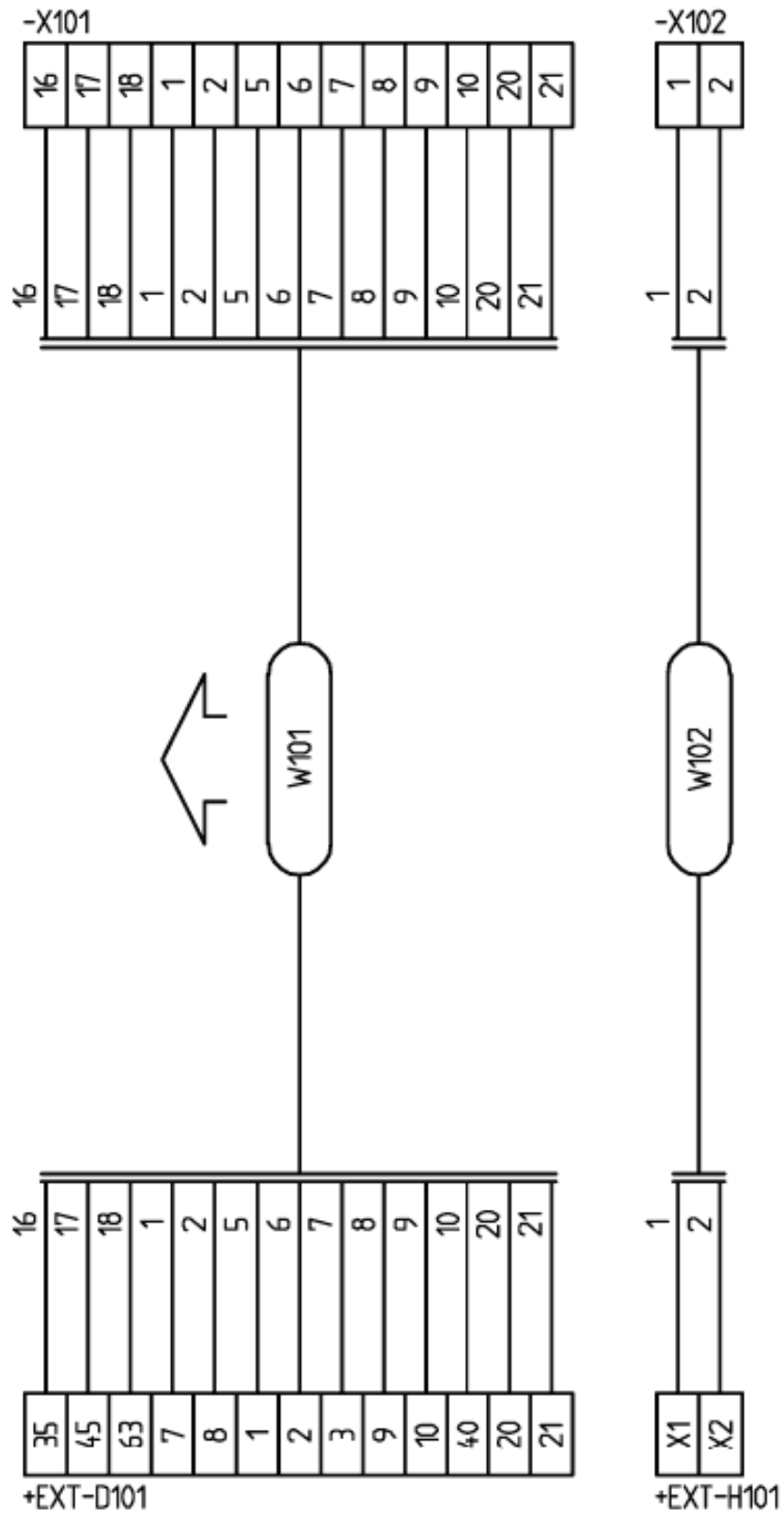
3719 0031 94



Electrical wiring diagram

CAT C6.6 Start panel, Diesel

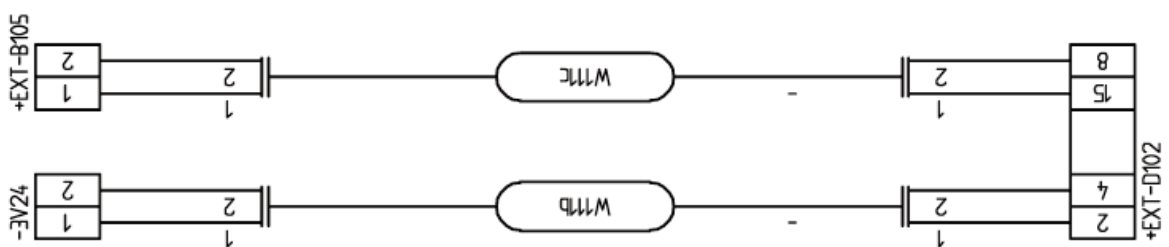
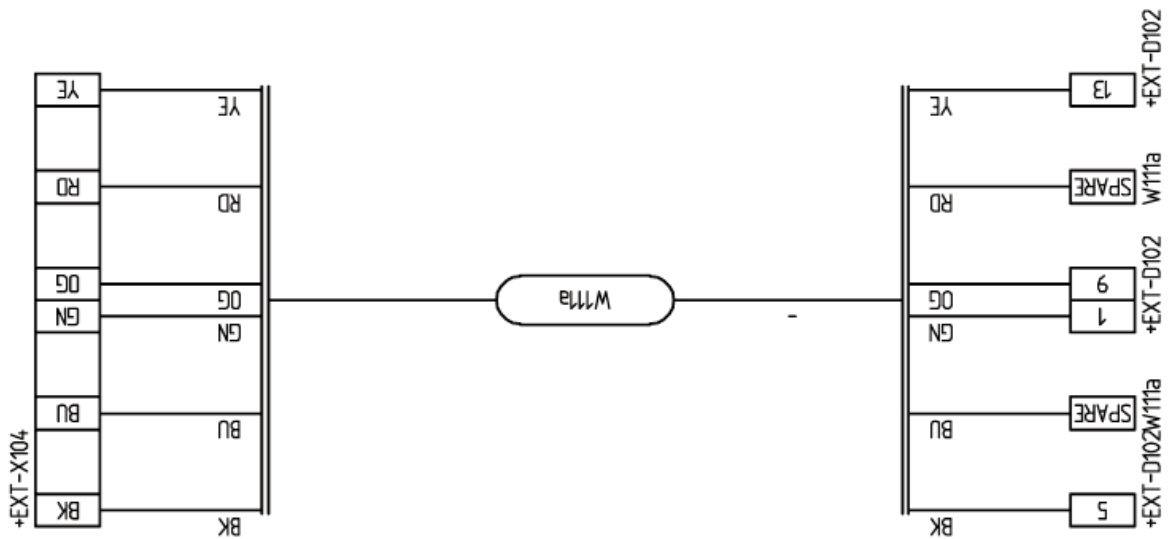
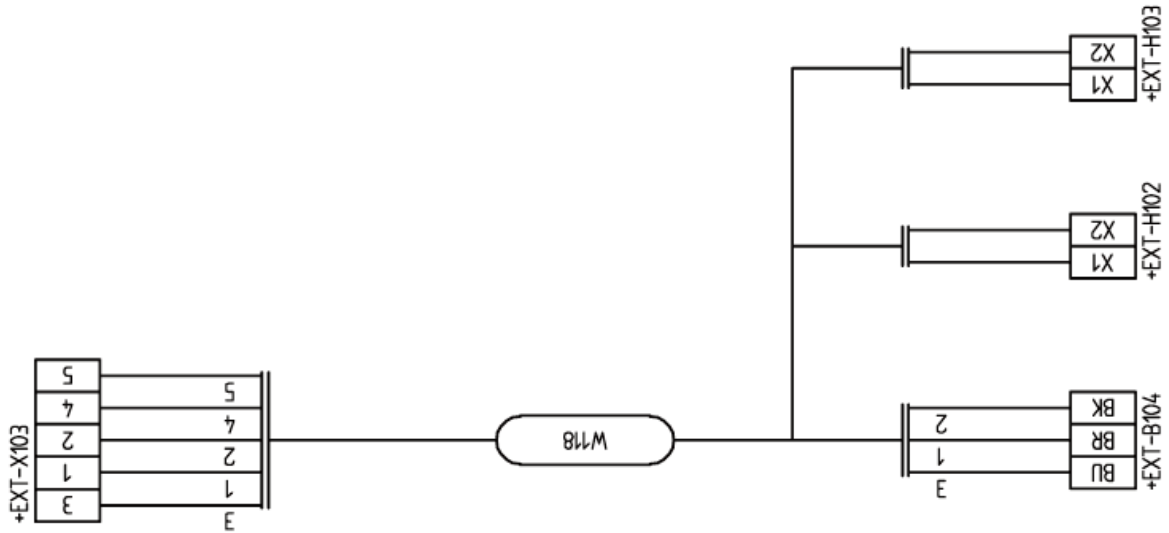
3719 0031 94



Electrical wiring diagram

CAT C6.6 Start panel, Diesel

3719 0031 94



Electrical wiring diagram

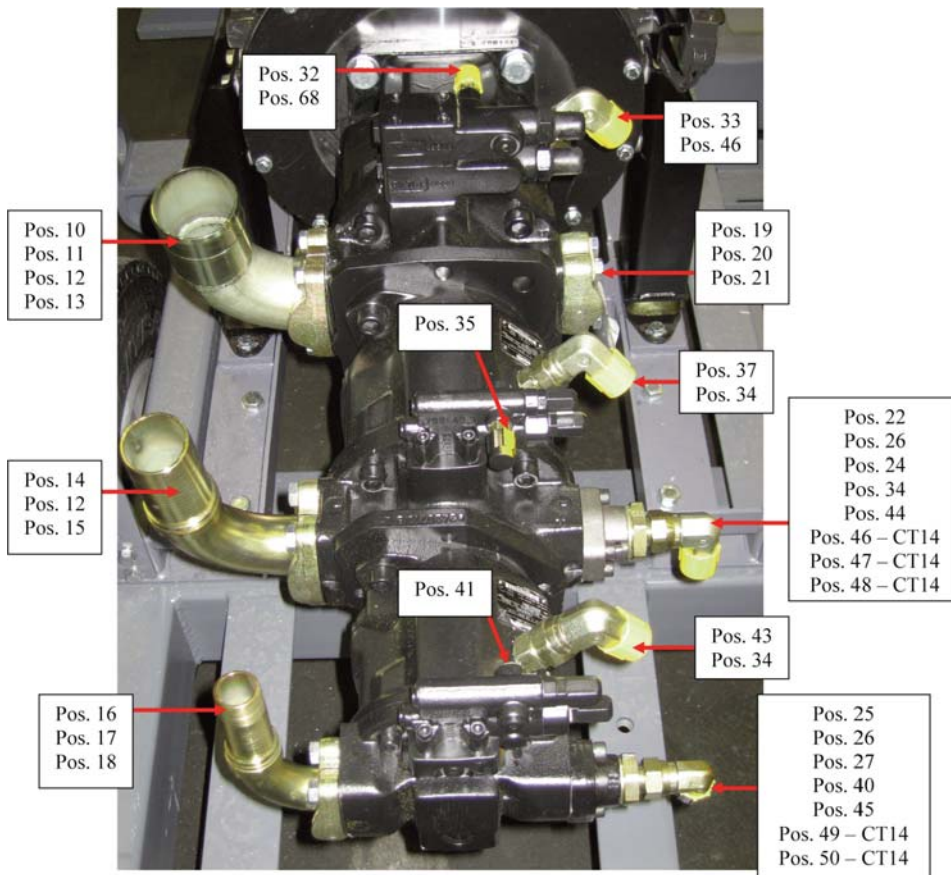
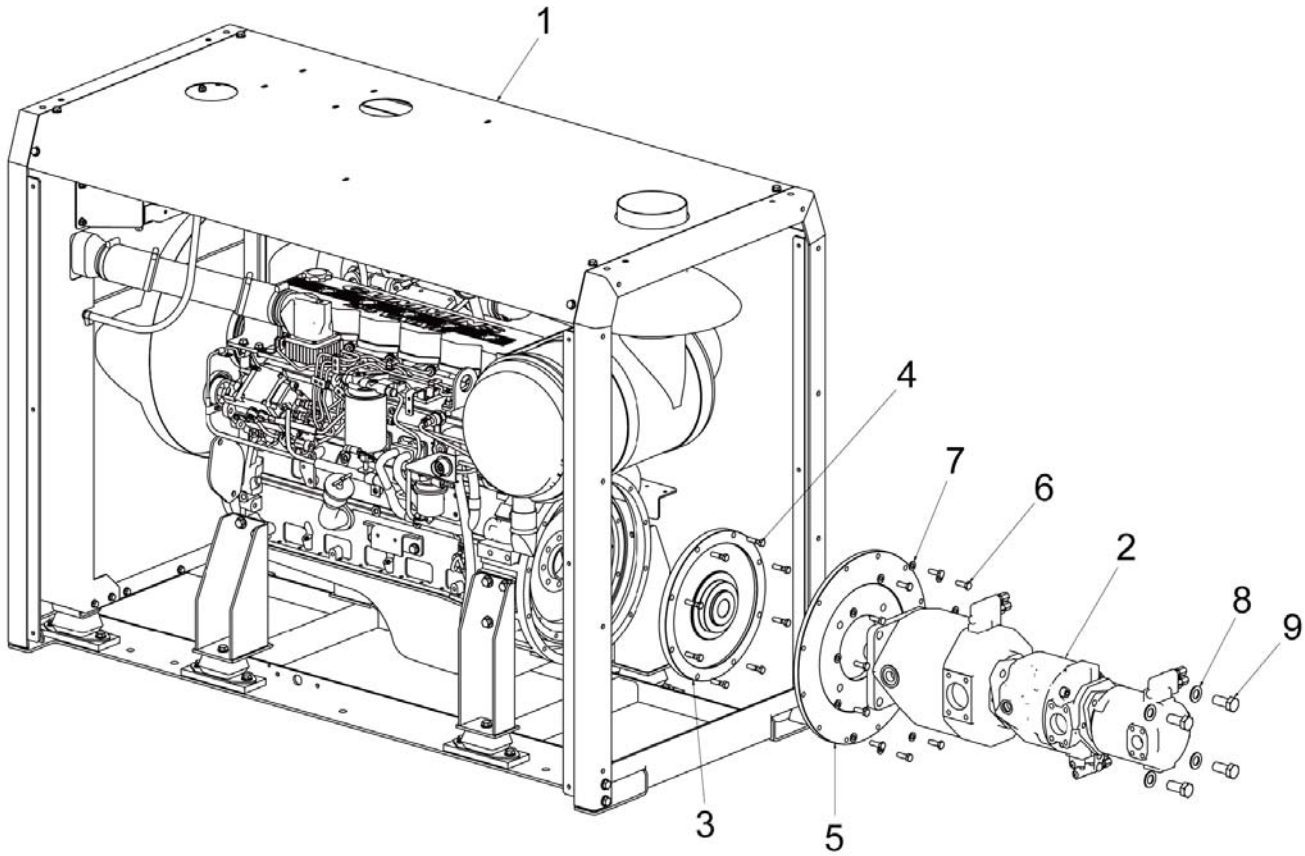
CAT C6.6 Start panel, Diesel

3719 0031 94

Power unit / Kraftaggregat, Cummins + Rexroth

Kraftaggregat / Groupe de puissance / Unidades de accionamiento / Centralina idraulico / Unidade de potência

3719 0025 98



Power unit / Kraftaggregat, Cummins + Rexroth

Kraftaggregat / Groupe de puissance / Unidades de accionamiento / Centralina idraulico / Unidade de potência

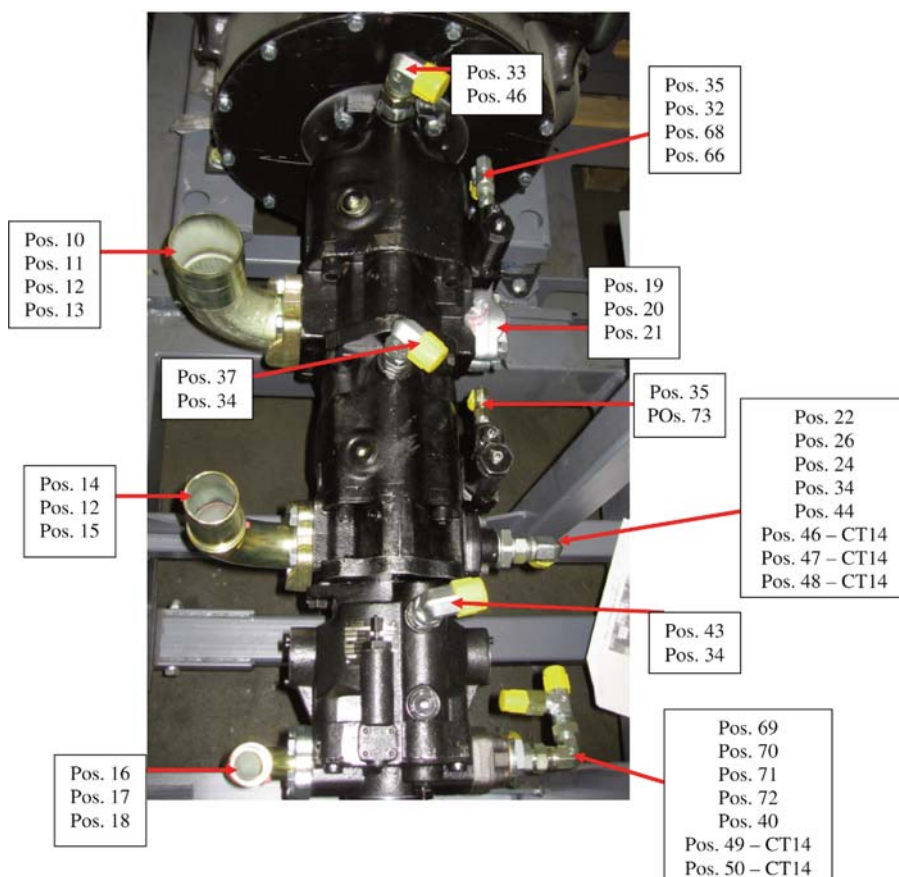
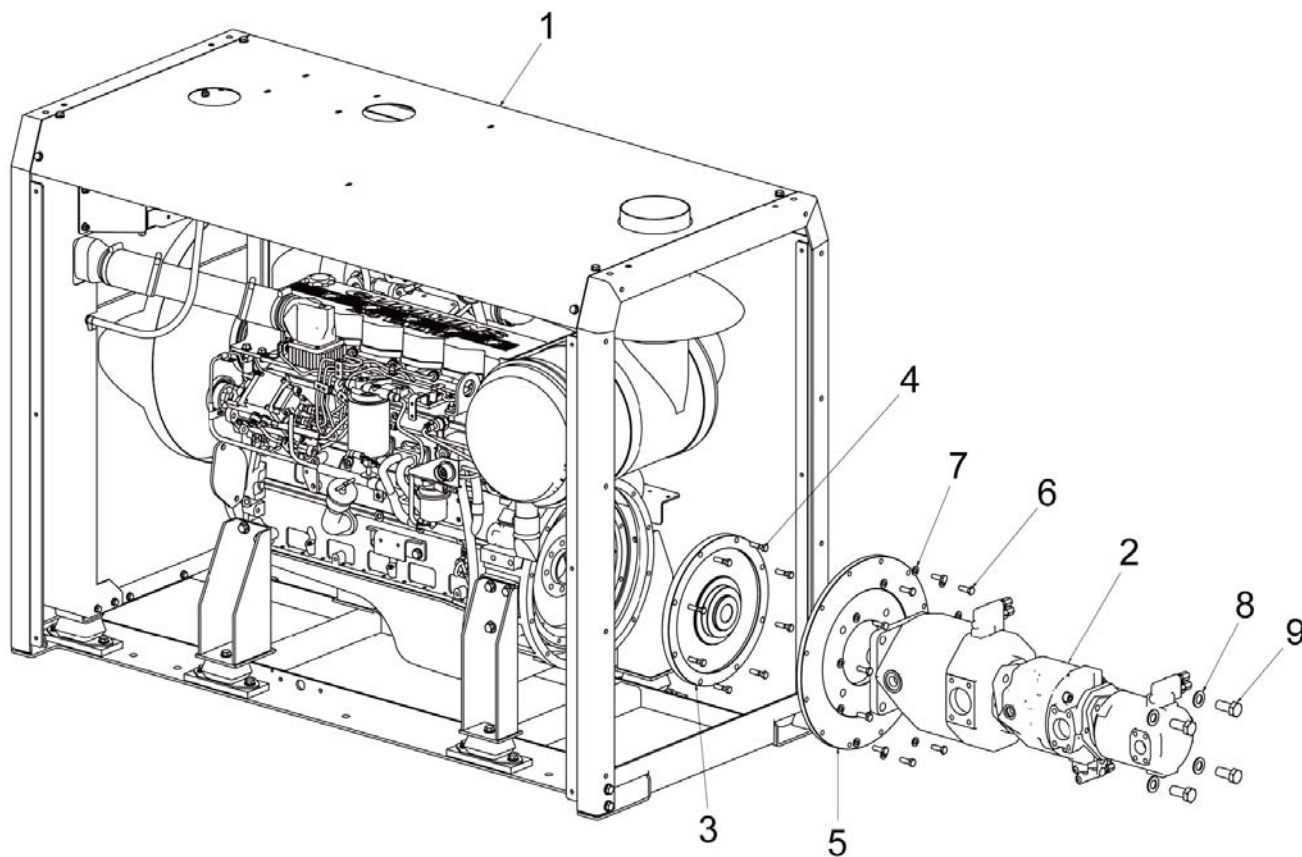
3719 0025 98

Ref. No.	Part No.	Qty.	Description	Notes
-	3719 0034 53	1	HOSE KIT, POWER UNIT CS	
1	3719 0025 04	1	POWER UNIT CUMMINS	(B)
2	3719 0031 00	1	HYDRAULIC PUMP, TRIPLE PUMP.	
	3719 0011 99	1	MAIN PUMP (B)	140cc
	3719 0031 90	1	MAIN PUMP (B)	71 cc
	3719 0003 08	1	SERVICE PUMP (B)	28cc
	3719 0012 35	1	PUMP REGULATOR	A10VO140 SPARE FOR 3719001199
	3719 0012 34	2	PUMP REGULATOR	A10VO28-110
3	3719 0025 15	1	COUPLING CENTAFLEX	CUM.QSB5.9
4	0144 3290 03	8	SCREW	U6S 3/8 UNC x 38
5	3719 0025 16	1	FLANGE	
6	0147 1364 03	12	SCREW	M6S 10 x 35 ISO 4017
7	0301 2344 00	12	WASHER	10 BRB 10.5 x 20 x 2
8	0301 2394 00	4	WASHER	BRFB 21 x 37 x 3 FZB
9	0147 1550 03	4	SCREW	M6S M20 x 45 FZB
10	3222 0940 01	1	SUCTION PIPE	90 DEG
11	0638 0547 00	2	FLANGE	HALF 2.1/2 SAE 3
12	0144 3365 03	8	SCREW	U6S 1/2 UNC X 38 8.8
13	0663 2111 37	1	O-RING	NITRIL 70 SHORE 68,26 X 3,53
14	0638 0545 00	2	FLANGE HALF	2" SAE3 51 DIAM.72.24
15	0663 9205 00	1	O-RING	56.74 x 3.53 70 GR
16	0638 0527 00	2	FLANGE HALF	1.1/4 SAE 3 32 dia. 51.59 SAE J
17	0144 4001 96	4	SCREW	U6S 7/16 UNC X 38 8.8 FZB
18	0663 9191 01	1	O-RING	37.69 x 3.53 90 GR
19	0638 0500 02	2	FLANGE HALF	1.1/4 SAE 6 32 DIAM. 54.8
20	0144 3366 03	4	SCREW	U6S 1/2 UNC X 45 8.8
21	0663 9191 01	1	O-RING	37.69 x 3.53 90 GR
22	3719 0030 91	1	FLANGE	SAE3 G1" BLACK P. O. 3719003065
24	0663 9188 01	1	O-RING	32.92 x 3.53
25	3719 0030 92	1	FLANGE	SAE3 G3/4" P. O. 3719002907
26	0211 5288 00	8	CAP SCREW	UC6S 3/8" x 32
27	0663 9182 01	1	O-RING	24.99 x 3.53 90SH Nitrile
32	3176 6531 00	1	NIPPLE	UN 9/16 x UN 3/4
33	3176 6536 00	1	NIPPLE	1 5/16"UN x 1 1/16"UN
34	3715 0589 00	3	ELBOW	UN 1 1/16 x 1 1/16
35	3716 1581 00	1	NIPPLE	7/16-20UN X9/16-18UN
37	3176 6535 00	1	NIPPLE	JIC 1.1/16 X UNF 7/8
40	3715 0585 00	1	ELBOW	90 GRAD. UN 7/8 U x UN 7/8 I
41	3176 7868 03	1	PLUG	UN 7/16"
43	0570 5010 40	1	NIPPLE	F50XS20-3/4
44	3176 6518 00	1	NIPPLE	R 1" x UN 1 1/16
45	3176 2131 00	1	NIPPLE	UN 7/8 x R 3/4
46	3176 6039 00	1	ELBOW	UN 1 5/16"-12
68	3176 6981 00	1	NIPPLE	3/4-16 UN x 7/8-14 UN

Power unit / Kraftaggregat, Cummins + Parker pumps

Kraftaggregat / Groupe de puissance / Unidades de accionamiento / Centralina idraulico / Unidade de potência

3719 0040 45



Power unit / Kraftaggregat, Cummins + Parker pumps

Kraftaggregat / Groupe de puissance / Unidades de accionamiento / Centralina idraulico / Unidade de potência

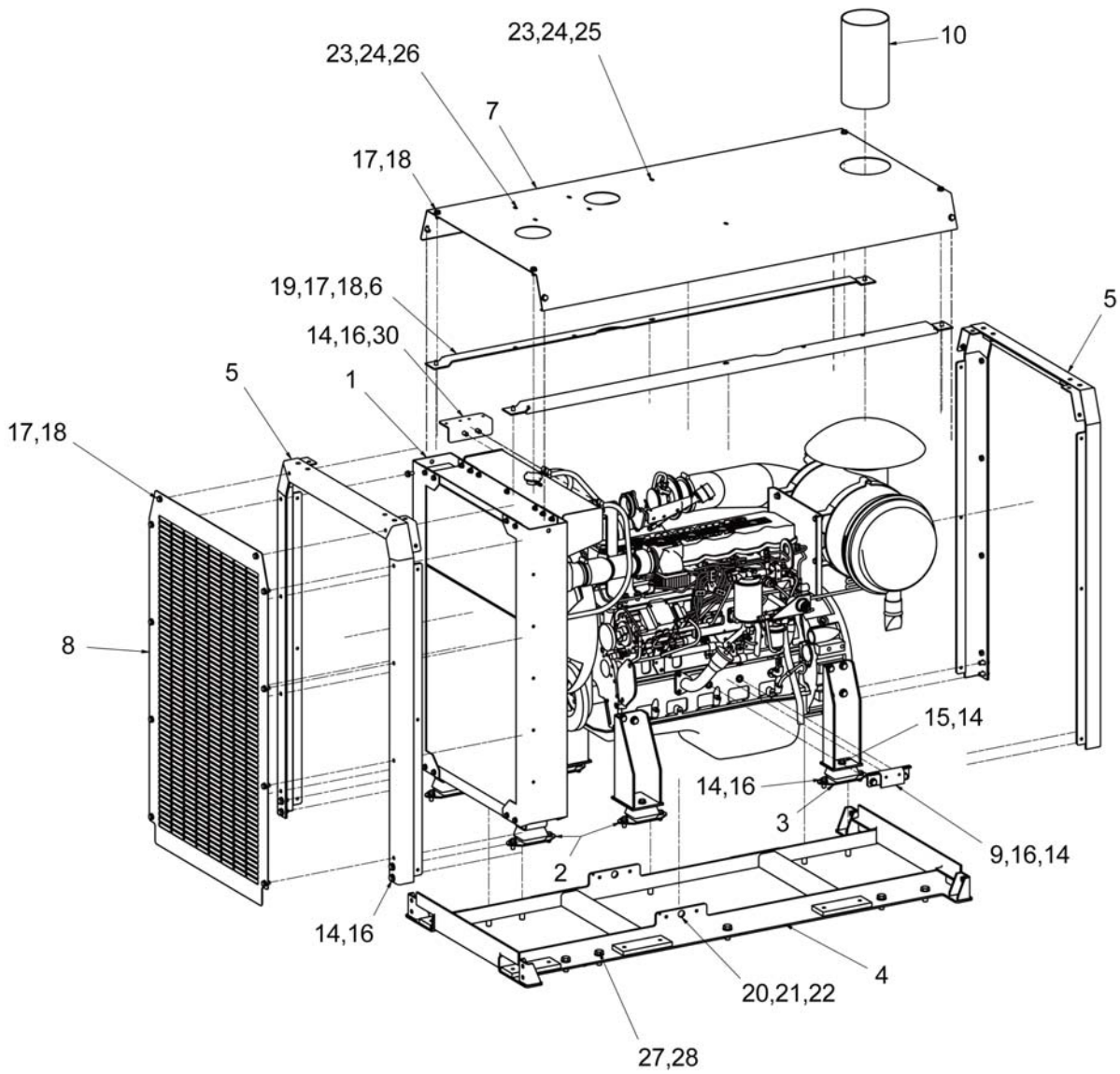
3719 0040 45

Ref. No.	Part No.	Qty.	Description	Notes
-	3715 3840 00	2	RING	20 MM
-	3715 0189 00	1	CHAIN	L=0.3 M
-	3176 4508 00	1	SWITCH.....	0341.003.004 2 POLIG
-	0147 1477 03	10	SCREW	M16x40 FZB M6S 16 x 40 DIN 933
-	0301 2178 01	10	WASHER	16 BRB 17 x 30 x 3
-	3719 0034 53	1	HOSE KIT, POWER UNIT CS	
1	3719 0025 04	1	POWER UNIT	CUMMINS+PARKER
2	3719 0040 18	1	HYDRAULIC PUMPS	140+75+28 PARKER
-	3719 0040 41	1	HYDRAULIC PUMP, MAIN PUMP.....	P1, 140cc
-	3719 0048 53	1	PACKING KIT, MAIN PUMP	P1, 140cc
-	3719 0040 42	1	HYDRAULIC PUMP, MAIN PUMP.....	P2, 75cc
-	3719 0048 54	1	PACKING KIT, MAIN PUMP.....	P2, 75cc
-	3719 0040 43	1	HYDRAULIC PUMP, SERVICE PUMP	P3, 28(33)cc/PVT15
-	3719 0048 43	1	PACKING KIT, SERVICE PUMP	P3, PVT15 33cc
-	3719 0048 41	1	PUMP REGULATOR	P1
-	3719 0048 42	1	PUMP REGULATOR	PVT15
3	3719 0025 15	1	COUPLING CENTAFLEX	CUM.QSB5.9
4	0144 3290 03	8	SCREW	U6S 3/8 UNC x 38
5	3719 0025 16	1	FLANGE.....	
6	0147 1364 03	12	SCREW	M6S 10 x 35 ISO 4017
7	0301 2344 00	12	WASHER.....	10 BRB 10.5 x 20 x 2
8	0301 2394 00	4	WASHER	BRFB 21 x 37 x 3
9	0147 1550 03	4	SCREW	M6S M20 x 45 FZB
10	3222 0940 01	1	SUCTION PIPE	90 DEG
11	0638 0547 00	2	FLANGE HALF	2.1/2 SAE 3
12	0144 3365 03	8	SCREW	U6S 1/2 UNC X 38 8.8
13	0663 2111 37	1	O-RING	NITRIL 70 SHORE 68,26 X 3,53
14	0638 0545 00	2	FLANGE HALF	2" SAE3 51 DIAM.72.24
15	0663 9205 00	1	O-RING	56.74 x 3.53 70 GR
16	0638 0527 00	2	FLANGE HALF	1.1/4 SAE 3 32 dia. 51.59 SAE J
17	0144 4001 96	4	SCREW	U6S 7/16 UNC X 38 8.8 FZB
18	0663 9191 01	1	O-RING	37.69 x 3.53 90 GR
19	0638 0500 02	2	FLANGE HALF	1.1/4 SAE 6 32 DIAM. 54.8
20	0144 3366 03	4	SCREW	U6S 1/2 UNC X 45 8.8
21	0663 9191 01	1	O-RING	37.69 x 3.53 90 GR
22	3719 0030 91	1	FLANGE.....	SAE3 G1" BLACK
24	0663 9188 01	1	O-RING	32.92 x 3.53
26	0211 5288 00	4	CAP SCREW	UC6S 3/8" x 32
32	0570 5000 10	1	NIPPLE.....	UNF 9/16 - UNF 3/4
33	3176 6537 00	1	NIPPLE.....	1 5/16"UN x 1 5/16"UN
34	3715 0589 00	3	ELBOW	UN 1 1/16 x 1 1/16
35	3716 1581 00	2	NIPPLE.....	7/16-20UN X9/16-18UN
37	3176 6301 00	1	NIPPLE.....	UN 1 1/16"-UN 1 1/16
40	3177 3046 00	1	NIPPLE.....	R3/4"-UN7/8"
43	0570 5010 40	1	NIPPLE.....	F50XS20-3/4
44	3176 6518 00	1	NIPPLE.....	R 1" x UN 1 1/16
46	3176 6039 00	1	ELBOW	UN 1 5/16"-12
66	3715 0585 00	1	ELBOW	90 GRAD. UN 7/8 U x UN 7/8 I
68	3176 6981 00	1	NIPPLE.....	3/4-16 UN x 7/8-14 UN
69	3719 0040 39	1	FLANGE.....	SAE3 R 1 1/4"
70	0663 9191 01	1	O-RING	37.69 x 3.53 90 GR
71	0211 5328 00	4	CAP SCREW	UC6S UNC 7/16" x 38
72	3719 0040 40	1	BUSHING	G THREAD UT. G11/4 IN. G3/4
73	3715 0584 00	1	ELBOW	UN 9/16xUN 9/16

Power unit / Kraftaggregat, Cummins

Kraftaggregat / Groupe de puissance / Unidades de accionamiento / Centralina idraulico / Unidade de potência

3719 0025 04



Power unit / Kraftaggregat, Cummins

Kraftaggregat / Groupe de puissance / Unidades de accionamiento / Centralina idraulico / Unidade de potência

3719 0025 04

Ref. No.	Part No.	Qty.	Description	Notes
1	3719 0025 02	1	DIESEL ENGINE, QSB5.9-C	MAX. 2200rpm, 1800rpm ,158kW
-	3719 0035 47	1	OPPRESSIVE FAN	CUMMINS QSB 5.9
2	3719 0025 71	4	RUBBER DAMPER	ISOTATOR 200
3	3719 0025 72	2	RUBBER DAMPER	ISOTATOR 250
4	3719 0029 24	1	SKID	
5	3719 0029 26	2	FRAME	
6	3719 0029 40	2	SUPPORT	
7	3719 0029 25	1	ROOF	
8	3719 0029 39	1	FRONT PLATE	
9	3719 0029 45	1	BRACKET	
10	3719 0031 27	1	SECTION PIPE KIT	
-	0147 1477 03	10	SCREW	M16x40 FZB M6S 16 x 40 DIN 933
-	0301 2178 01	10	WASHER	16 BRB 17 x 30 x 3
14	0301 2358 00	30	WASHER	12 BRB 13 x 24 x 2.5
15	0147 1403 03	6	SCREW	M6S 12 x 40
16	0147 1400 03	24	SCREW	M6S 12 x 25
17	0301 2344 00	22	WASHER	10 BRB 10.5 x 20 x 2
18	0147 1360 03	22	SCREW	M10x20 FZB M6S 10 x 20
19	3718 0009 25	7	LIST	
23	0291 1110 00	10	LOCK NUT	M8 LM6M
24	0301 2335 00	10	WASHER	8 BRB 8.4 x 16 x 1.6 SS
25	0147 1325 03	2	SCREW	M8X25 FZB M6S 8 x 25
26	3716 2439 00	4	DAMPENER	
30	3719 0031 09	1	BRACKET	
-	0147 1325 03	2	SCREW	M6S 8 x 25
-	3719 0029 74	1	EXHAUST KIT	
-	3719 0029 77	1	PRE FILTER KIT	
-	3719 0029 76	1	RELAY KIT	
-	3719 0029 64	1	CABLE	CS14 - CONTROL PANEL, L = 3.6m

Power unit / Kraftaggregat, Cummins

Kraftaggregat / Groupe de puissance / Unidades de accionamiento / Centralina idraulico / Unidade de potência

3719 0035 95

Power unit / Kraftaggregat, Cummins

Kraftaggregat / Groupe de puissance / Unidades de accionamiento / Centralina idraulico / Unidade de potência

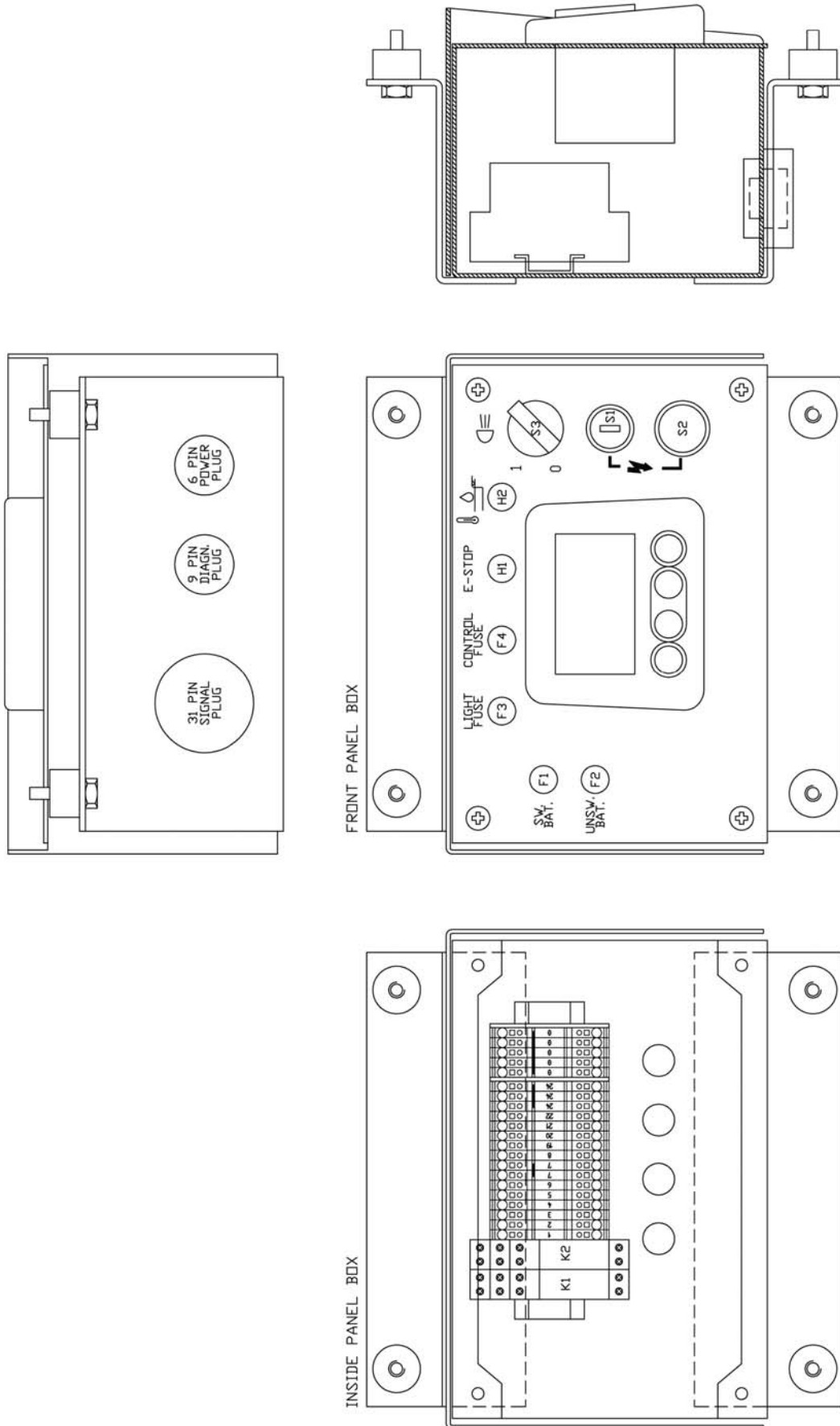
3719 0035 95

Ref. No.	Part No.	Qty.	Description	Notes
4	3719 0029 63	1	CONTROL PANEL.....	CUMMINS/QSB5.9
164	0277 1308 00	4	CAP NUT M6 FZB IS EA	
165	0301 2321 00	8	WASHER	BRFB 6.4 x 12.5 x 1.5
166	0291 1128 15	4	LOCK NUT.....	M6 HÖG fzb ISO 7040
167	3715 7036 00	4	DAMPENER.....	M6

Electrical wiring diagram

Cummins QSB 5.9 Start panel, Diesel

3719 0029 63



Electrical wiring diagram

Cummins QSB 5.9 Start panel, Diesel

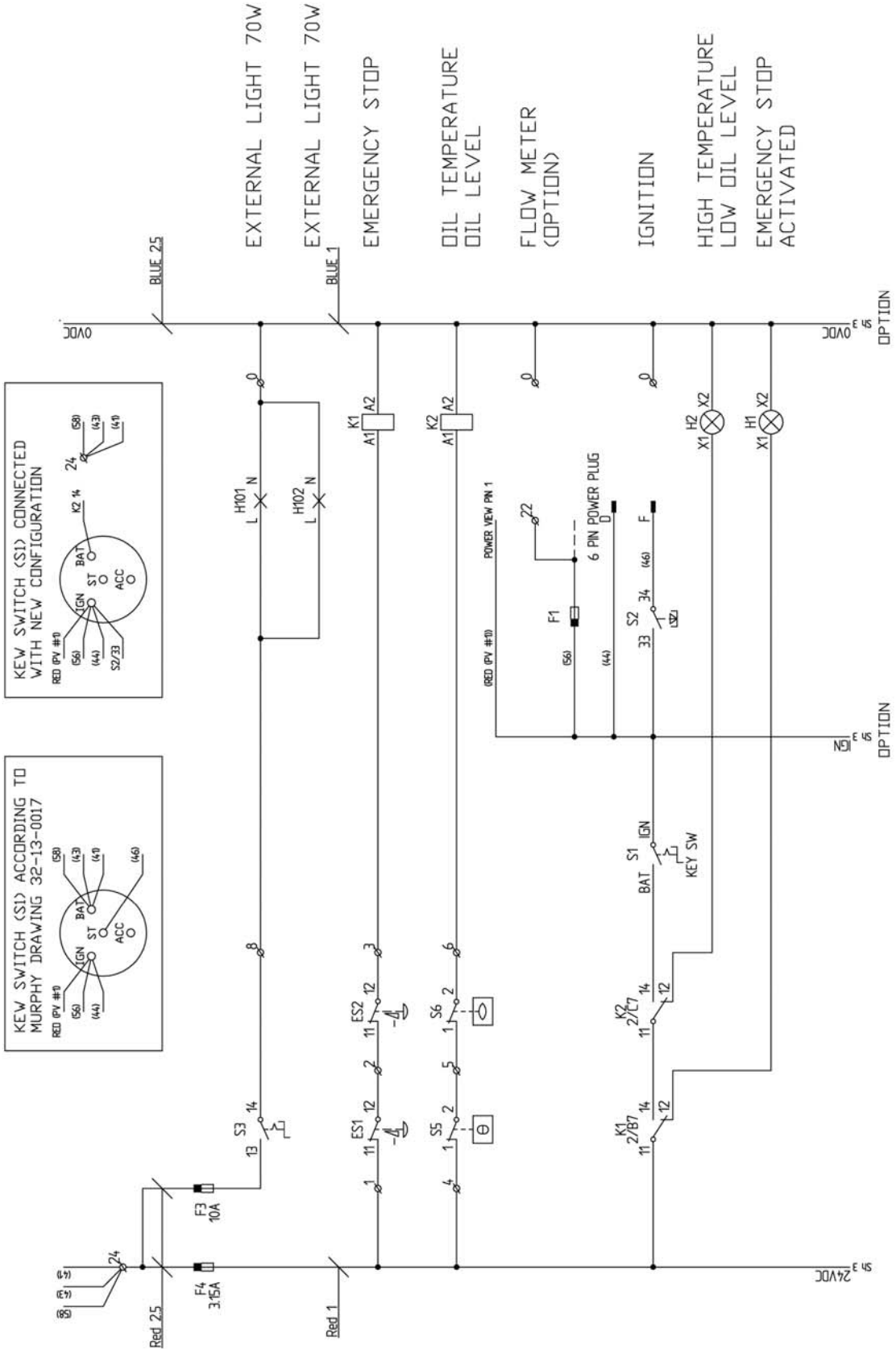
3719 0029 63

Pos.nr	AC nr	Megnr	Qty	Description	Type, data
F3,F4		130148	2	FUSE HOLDER 5x20 FOR PANEL	5x20
F4		135013	1	FUSE	3.15A 5x20
F3		135018	1	FUSE	10A 5x20
		813023	1	PANEL DIESEL START Cummins	24VDC
K1,K2	3718 0401 92	934023	2	RELAY (PLUG IN)	16A 24VDC 1-SW. CON
K1,K2	3718 0401 92	934025	2	RELAY SOCKET	8-PIN 1-2 SW. CON
H1,H2		943067	2	LED LAMP RED M14	24VDC
S2,S3	3217 0010 72	943320	2	ADAPTOR FOR ZB	
S2	3217 0012 00	943342	1	PUSH BUTTON	BLACK
S3	3217 0012 11	943369	1	TURNING HANDLE	2-STATE

Electrical wiring diagram

Cummins QSB 5.9 Start panel, Diesel

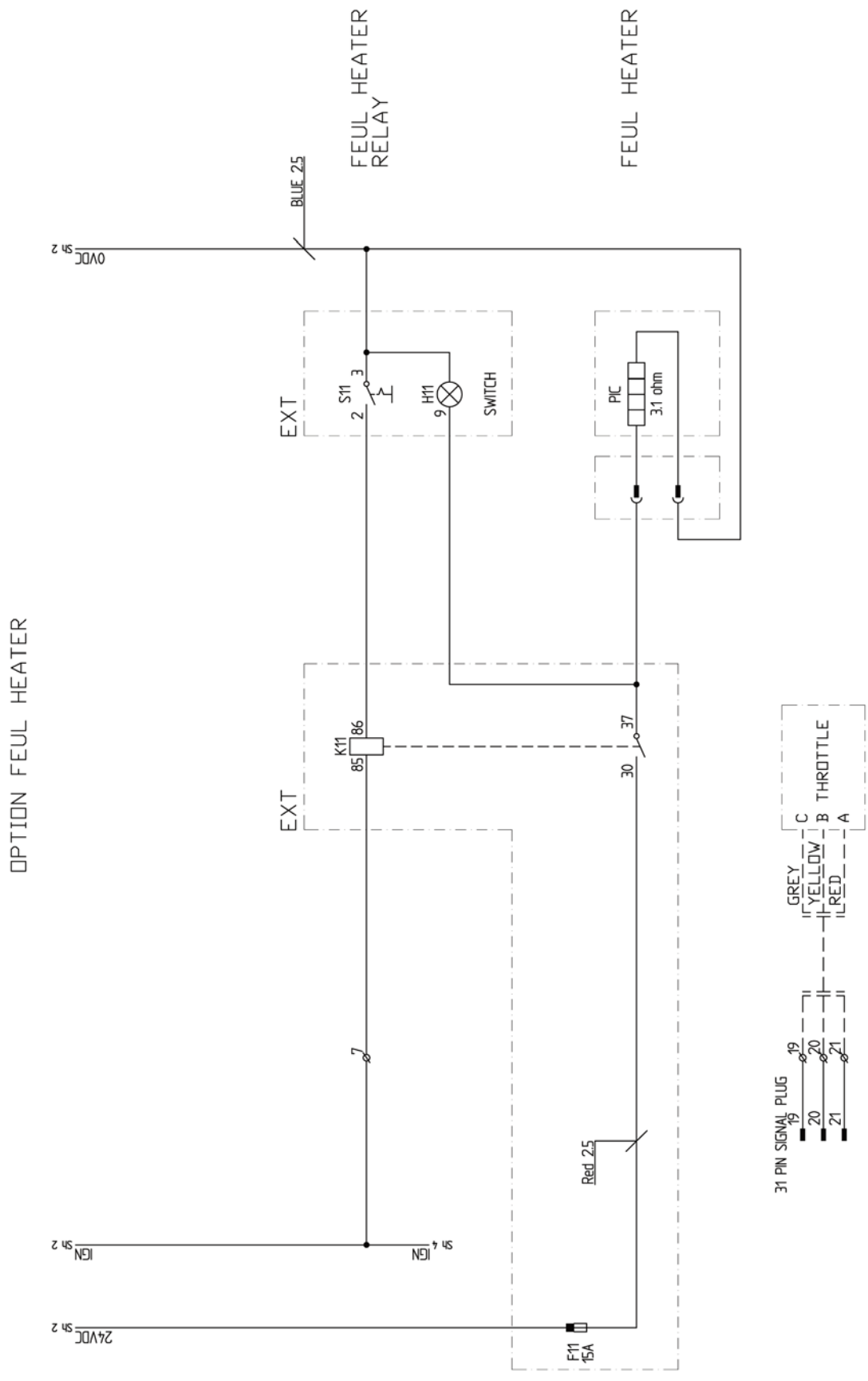
3719 0029 63



Electrical wiring diagram

Cummins QSB 5.9 Start panel, Diesel

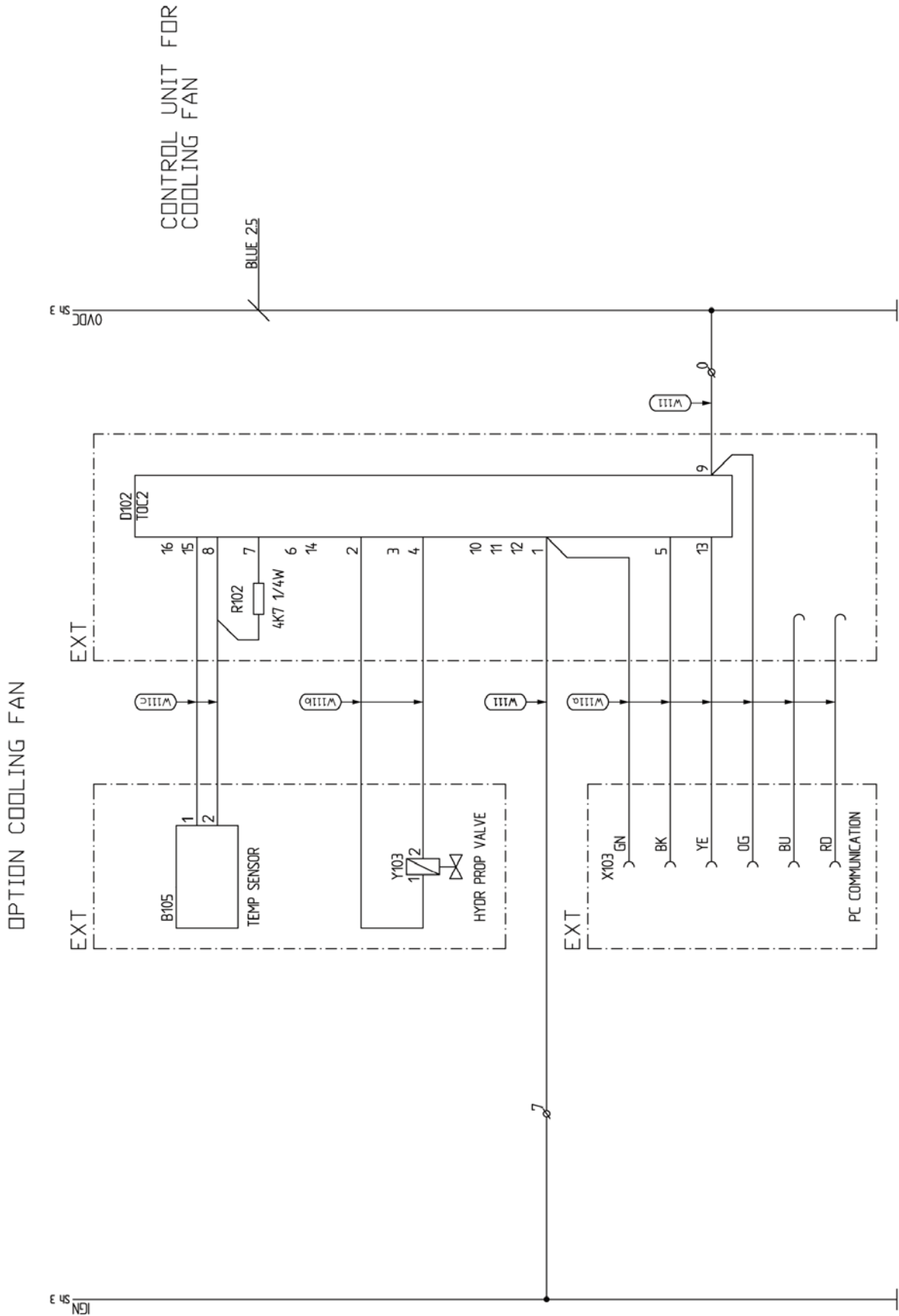
3719 0029 63



Electrical wiring diagram

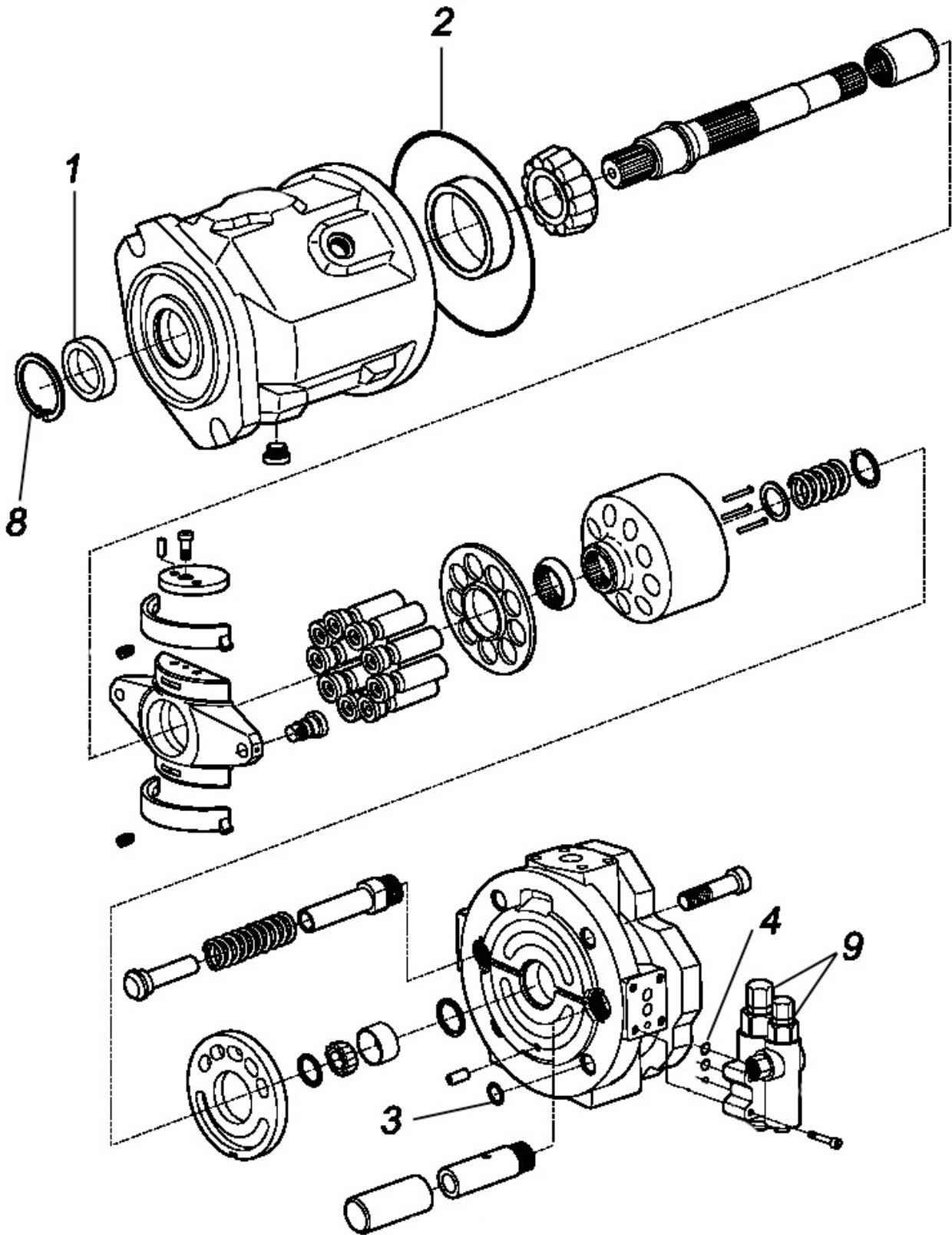
Cummins QSB 5.9 Start panel, Diesel

3719 0029 63



Hydraulicpump / Seal kit

Seal kit / Dichtungssatz / Tatningsatts



Hydraulicpump / Seal kit

Seal kit / Dichtungssatz / Tatningssats

Ref. No.	Part No.	Qty.	Description	Notes
-	3719 0004 29		SEAL KIT	28 cc motor (A10V)
1	-	1	SHAFT SEAL	BABSL 26x35x6
2	-	1	O-RING	148x2,5 N80
3	-	4	O-RING	13x2 N80
4	-	3	O-RING	PRP 011' 7,65x1,78' N90
5 *	-	1	O-RING	PRP 012' 9,25x1,78' N90
6 *	-	1	O-RING	PRP 013 10,82x1,78' N70
7 *	-	2	O-RING	PRP 026' 31,47x1,78' N70
8	-	1	SAFETY RING	J 35x1,5
9	-	6	USIT-RING U	9,3x13,3x1,0
-	3717 0005 59		SEAL KIT	71 cc motor (A10V)
1	-	1	SHAFT SEAL	BABSL
2	-	1	O-RING	195 X2,5 N80
3	-	4	O-RING	17 X2 N80
4	-	3	O-RING	PRP 011' 7,65X1,78' N90
5 *	-	1	O-RING	PRP 026' 31,47X1,78' N70
6 *	-	1	O-RING	PRP 012' 9,25X1,78' N90
7 *	-	2	O-RING	PRP 016' 15,60X1,78' N90
8	-	1	SAFETY RING	52X2 DIN 984
9	-	6	USIT-RING	U 9,3X13,3X1,0
-	3719 0008 49		SEAL KIT	140 cc motor (A10V)
1	-	1	SHAFT SEAL	BABSL 0,5 50x72x7
2	-	1	O-RING	230x2,5 N80
3	-	4	O-RING	21x2,5 N80
4	-	10	O-RING	PRP 012' 9,25x1,78' N90
5 *	-	4	O-RING	PRP 019 20,35x1,78' N90
8	-	1	SAFETY RING	72x2,5 DIN 984

* Included in the kits but not used on our motor.

Hydraulic Diagram CS14

Hose list

9844 0008 46

Pos.	Part No.	Hose Dia.	Hose type.	Length. (mm)	End A.	End B.
3719 0029 12 FRAME HOSE KIT						
3V1EA2	0574 1526 14	1/4"	1102-00-04 EGEFLEX 2	950	JIC, UNF 9/16-18-IR	4280-06-04 Banjo 3/8"
3V1EB2	0574 1526 15	1/4"	1102-00-04 EGEFLEX 2	1 400	JIC, UNF 9/16-18-IR	4280-06-04 Banjo 3/8"
3V1EA3	0574 1526 13	1/4"	1102-00-04 EGEFLEX 2	370	JIC, UNF 9/16-18-IR	4280-06-04 Banjo 3/8"
-	0627 5100 14	3/8"	4280-01-06			
-	0661 1026 00	3/8"	5601-01-06			
3719 0030 81 TRIDO HOSE KIT						
WPREL	3715 7817 01	3/4"	1101-00-12 EGEFLEX 1	1 500	Water, G 3/4"-IR	None
WPG	3176 5223 00	1/4"	1102-00-04 EGEFLEX 2	5 000	JIC, UNF 9/16-18-IR	JIC, UNF 9/16-18-IR
WPG-10	3176 7644 00	1/4"	1102-00-04 EGEFLEX 2	4 000	JIC, UNF 9/16-18-IR	JIC, UNF 9/16-18-IR
WPP2	3715 7327 09	1"	1101-00-16 EGEFLEX 1	4 600	Water, G 1"-IR	Water, G 1"-IR
WPP2-10	3715 7327 05	1"	1101-00-16 EGEFLEX 1	3 700	WATER, G 1"-IR	WATER, G 1"-IR
WPP1	3715 7327 06	1"	1101-00-16 EGEFLEX 1	15 000	Water, G 1"-IR	Water, G 1"-IR
WPWD	3715 7817 01	3/4"	1101-00-12 EGEFLEX 1	1 500	Water, G 3/4"-IR	None
WPP1	0603 4200 43	1.1/4"	7022-16-20 Fitting G1xNPT1 1/4			
3719 0030 82 OIL COOLER HOSE KIT						
3C1DR	3176 6854 00	1/4"	1102-00-04 EGEFLEX 2	600	JIC, UNF 9/16-18-IR	JIC, UNF 9/16-18-IR
3719 0030 83 HYDR. TANK HOSE KIT						
0P4P	0574 3030 11	3/4"	1101-00-12 EGEFLEX 1	2 600	JIC, UN 1.1/16-12-IR	JIC, UN 1.1/16-12-IR
0P4S	0574 3032 11	3/4"	1101-00-12 EGEFLEX 1	3 000	JIC, UN 1.1/16-12-IR	JIC, UN 1.1/16-12-IR
3719 0030 84 POWER UNIT HOSE KIT						
0P1DR	0574 0072 41	1"	1438-00-16 SAE 100 R4	600	JIC, UN 1.5/16-12-IR	JIC, UN 1.5/16-12-IR
0P2DR	0574 0072 40	3/4"	1438-00-12 SAE 100 R4	600	JIC, UN 1.1/16-12-IR	JIC, UN 1.1/16-12-IR
0P3DR	0574 0072 40	3/4"	1438-00-12 SAE 100 R4	600	JIC, UN 1.1/16-12-IR	JIC, UN 1.1/16-12-IR
0P3S	0075 5005 60	1.1/4"	1438-00-20 SAE 100 R4	175	None	None
0P2S	0075 5005 62	2"	1438-00-32 SAE 100 R4	250	None	None
0P1S	0075 5005 61	3"	1438-00-48 SAE 100 R4	210	None	None
0P3SC	0347 6200 12	40-46	5565-00-45		Hose clip (2 pieces)	
0P2SC	0347 6132 14	60-66	5565-00-65		Hose clip (2 pieces)	
0P1SC	0347 6200 27	81-91	5567-00-90		Hose clip (2 pieces)	
3719 0030 86 FINAL ASSY HOSE KIT						
3V1AB	3176 7186 00	1/4"	1102-00-04 EGEFLEX 2	1 400	JIC, UNF 9/16-18-IR	JIC, UNF 9/16-18-IR
3V1AA	3176 7186 00	1/4"	1102-00-04 EGEFLEX 2	1 400	JIC, UNF 9/16-18-IR	JIC, UNF 9/16-18-IR
3V1BB	3176 6856 00	1/4"	1102-00-04 EGEFLEX 2	3 000	JIC, UNF 9/16-18-IR	JIC, UNF 9/16-18-IR
3V1BA	3176 6856 00	1/4"	1102-00-04 EGEFLEX 2	3 000	JIC, UNF 9/16-18-IR	JIC, UNF 9/16-18-IR
3V1CA	3176 6860 00	1/4"	1102-00-04 EGEFLEX 2	4 600	JIC, UNF 9/16-18-IR	JIC, UNF 9/16-18-IR
3V1CB	3176 6860 00	1/4"	1102-00-04 EGEFLEX 2	4 600	JIC, UNF 9/16-18-IR	JIC, UNF 9/16-18-IR
3V1DB	0574 0069 26	1/4"	1102-00-04 EGEFLEX 2	4 900	JIC, UNF 9/16-18-IR	JIC, UNF 9/16-18-IR
3V1DA	0574 0069 26	1/4"	1102-00-04 EGEFLEX 2	4 900	JIC, UNF 9/16-18-IR	JIC, UNF 9/16-18-IR
3V3HB2	0574 0319 11	1/4"	1102-00-04 EGEFLEX 2	5 400	JIC, UNF 9/16-18-IR	JIC, UNF 9/16-18-IR
1CVDR	0574 0320 11	1/4"	1102-00-04 EGEFLEX 2	5 700	JIC, UNF 9/16-18-IR	JIC, UNF 9/16-18-IR
1VCFDA	0574 0068 99	1"	1015-00-16 DELTAFLEX	5 400	JIC, UN 1.5/16-12-IR	JIC, UN 1.5/16-12-IR
1VCFDB	0574 4543 11	1"	1015-00-16 DELTAFLEX	5 500	JIC, UN 1.5/16-12-IR	JIC, UN 1.5/16-12-IR
1VAWLb	0574 3527 11	3/4"	1015-00-12 DELTAFLEX	2 000	JIC, UN 1.1/16-12-IR	JIC, UN 1.1/16-12-IR
1VAWLA	0574 0073 33	3/4"	1015-00-12 DELTAFLEX	1 950	JIC, UN 1.1/16-12-IR	JIC, UN 1.1/16-12-IR
1DMDR	0574 1254 59	3/4"	1101-00-12 EGEFLEX 1	9 800	JIC, UN 1.1/16-12-IR	JIC, UN 1.1/16-12-IR
1VDDMB	0574 1251 93	1"	1015-00-16 DELTAFLEX	10 200	JIC, UN 1.5/16-12-IR	JIC, UN 1.5/16-12-90B
1VDDMA	0574 1251 92	1"	1015-00-16 DELTAFLEX	10 050	JIC, UN 1.5/16-12-IR	JIC, UN 1.5/16-12-90B
T4B	0574 0063 06	3/8"	1102-00-06 EGEFLEX 2	4 500	JIC, UNF 3/4-16-IR	JIC, UNF 3/4-16-IR
T5	0574 2288 11	1/2"	1102-00-08 EGEFLEX 2	4 200	JIC, UNF 7/8-14-IR	JIC, UNF 7/8-14-IR
T8	3176 6862 00	1/2"	1102-00-08 EGEFLEX 2	700	JIC, UNF 7/8-14-IR	JIC, UNF 7/8-14-IR
T7	0574 3573 11	3/4"	1015-00-12 DELTAFLEX	2 300	JIC, UN 1.1/16-12-IR	JIC, UN 1.1/16-12-IR
2WPP	0574 3565 11	3/4"	1015-00-12 DELTAFLEX	4 700	JIC, UN 1.1/16-12-IR	JIC, UN 1.1/16-12-IR
T6	0574 1289 11	3/8"	1102-00-06 EGEFLEX 2	4 400	JIC, UNF 3/4-16-IR	JIC, UNF 3/4-16-IR
3V11DR	3176 6337 00	3/8"	1102-00-06 EGEFLEX 2	2 200	JIC, UNF 3/4-16-IR	JIC, UNF 3/4-16-IR
3V8RH	0574 0064 11	3/8"	1102-00-06 EGEFLEX 2	5 800	JIC, UNF 3/4-16-IR	JIC, UNF 3/4-16-IR
3V12A2	0574 1251 87	1/4"	1102-00-04 EGEFLEX 2	11 200	JIC, UNF 9/16-18-IR	JIC, UNF 9/16-18-IR

Hydraulic Diagram CS14

Hose list

9844 0008 46

Pos.	Part No.	Hose Dia.	Hose type.	Length. (mm)	End A.	End B.
3719 0030 86 FINAL ASSY HOSE KIT (continues)						
3V12B2	0574 0304 11	1/4"	1102-00-04 EGEFLEX 2	11 000	JIC, UNF 9/16-18-IR	JIC, UNF 9/16-18-IR
3V1FA	3176 6857 00	1/4"	1102-00-04 EGEFLEX 2	3 200	JIC, UNF 9/16-18-IR	JIC, UNF 9/16-18-IR
3V1FB	3176 6857 00	1/4"	1102-00-04 EGEFLEX 2	3 200	JIC, UNF 9/16-18-IR	JIC, UNF 9/16-18-IR
3V1EA1	0574 0272 11	1/4"	1102-00-04 EGEFLEX 2	1 500	JIC, UNF 9/16-18-IR	JIC, UNF 9/16-18-IR
3V1EB1	3176 6976 00	1/4"	1102-00-04 EGEFLEX 2	2 000	JIC, UNF 9/16-18-IR	JIC, UNF 9/16-18-IR
1VBMHB	0574 0070 79	1"	1015-00-16 DELTAFLEX	1 800	JIC, UN 1.5/16-12-IR	JIC, UN 1.5/16-12-IR
1VBMHA	0574 0070 79	1"	1015-00-16 DELTAFLEX	1 800	JIC, UN 1.5/16-12-IR	JIC, UN 1.5/16-12-IR
T1	0574 1251 95	1.1/4"	1009-00-20 EN 853-1SN	3 100	JIC, UN 1.5/8-12-IR	JIC, UN 1.5/8-12-IR
T2	0574 1251 94	1.1/4"	1009-00-20 EN 853-1SN	2 900	JIC, UN 1.5/8-12-IR	JIC, UN 1.5/8-12-IR
T3	0574 1251 96	1.1/4"	1009-00-20 EN 853-1SN	4 800	JIC, UN 1.5/8-12-IR	JIC, UN 1.5/8-12-IR
0P3P2	0574 0064 63	3/8"	1102-00-06 EGEFLEX 2	4 100	JIC, UNF 3/4-16-IR	JIC, UNF 3/4-16-IR
1MHDR	0574 2274 11	1/2"	1102-00-08 EGEFLEX 2	1 700	JIC, UNF 7/8-14-IR	JIC, UNF 7/8-14-IR
3V10CH	0574 1254 60	1/4"	1102-00-04 EGEFLEX 2	10 700	JIC, UNF 9/16-18-IR	JIC, UNF 9/16-18-IR
3V3DM	0574 0000 37	1/4"	1102-00-04 EGEFLEX 2	10 500	JIC, UNF 9/16-18-IR	JIC, UNF 9/16-18-IR
3V3FD3	0574 0272 11	1/4"	1102-00-04 EGEFLEX 2	1 500	JIC, UNF 9/16-18-IR	JIC, UNF 9/16-18-IR
3V3FD2	0574 0319 11	1/4"	1102-00-04 EGEFLEX 2	5 400	JIC, UNF 9/16-18-IR	JIC, UNF 9/16-18-IR
3V3DR2	3176 6976 00	1/4"	1102-00-04 EGEFLEX 2	2 000	JIC, UNF 9/16-18-IR	JIC, UNF 9/16-18-IR
3C1DR	3176 6854 00	1/4"	1102-00-04 EGEFLEX 2	600	JIC, UNF 9/16-18-IR	JIC, UNF 9/16-18-IR
0P2P1	0574 3524 11	3/4"	1015-00-12 DELTAFLEX	1 700	JIC, UN 1.1/16-12-IR	JIC, UN 1.1/16-12-IR
0P1P	0574 0507 12	1"	1106-03-16 KAPPAFLEX 3	2 300	JIC, UN 1.5/16-12-IR	SAE6, 1.1/4"-45B
0P3P1	0574 0066 72	1/2"	1102-00-08 EGEFLEX 2	1 250	JIC, UNF 7/8-14-IR	JIC, UNF 7/8-14-IR
0P2LS	3176 5221 00	1/4"	1102-00-04 EGEFLEX 2	1 800	JIC, UNF 9/16-18-IR	JIC, UNF 9/16-18-IR
0P1LS2	0574 0071 51	1/2"	1104-03-08 KAPPAFLEX 2	3 600	JIC, UNF 7/8-14-IR	JIC, UNF 7/8-14-IR
1VBDR2	0574 1272 11	3/8"	1102-00-06 EGEFLEX 2	1 500	JIC, UNF 3/4-16-IR	JIC, UNF 3/4-16-IR
3V3FD4	3176 5687 00	1/4"	1102-00-04 EGEFLEX 2	900	JIC, UNF 9/16-18-IR	JIC, UNF 9/16-18-IR
3C2DR	0574 0260 11	1/4"	1102-00-04 EGEFLEX 2	650	JIC, UNF 9/16-18-IR	JIC, UNF 9/16-18-IR
OP3P3	3176 5682 00	3/8"	1102-00-06 EGEFLEX 2	3 000	JIC, UNF 3/4-16-IR	JIC, UNF 3/4-16-IR
T10	0574 2280 11	1/2"	1102-00-08 EGEFLEX 2	2 600	JIC, UNF 7/8-14-IR	JIC, UNF 7/8-14-IR
3V2DR	0574 2273 11	1/2"	1102-00-08 EGEFLEX 2	1 600	JIC, UNF 7/8-14-IR	JIC, UNF 7/8-14-IR
3719 0030 87 CONTROL PANEL HOSE KIT						
3V3HB1	3176 5679 00	1/4"	1102-00-04 EGEFLEX 2	500	JIC, UNF 9/16-18-IR	JIC, UNF 9/16-18-IR
3V3FD1	3176 5679 00	1/4"	1102-00-04 EGEFLEX 2	500	JIC, UNF 9/16-18-IR	JIC, UNF 9/16-18-IR
0P3P16	0574 0256 11	1/4"	1102-00-04 EGEFLEX 2	450	JIC, UNF 9/16-18-IR	JIC, UNF 9/16-18-IR
0P3P7	3176 7457 00	1/4"	1102-00-04 EGEFLEX 2	350	JIC, UNF 9/16-18-IR	JIC, UNF 9/16-18-IR
0P3P12	3176 7449 00	1/4"	1102-00-04 EGEFLEX 2	1 100	JIC, UNF 9/16-18-IR	JIC, UNF 9/16-18-IR
0P3P6	0574 0067 98	1/4"	1102-00-04 EGEFLEX 2	1 150	JIC, UNF 9/16-18-IR	JIC, UNF 9/16-18-IR
0P3P5	3176 6486 00	1/4"	1102-00-04 EGEFLEX 2	1 000	JIC, UNF 9/16-18-IR	JIC, UNF 9/16-18-IR
0P2P2	0574 1257 11	3/8"	1102-00-06 EGEFLEX 2	500	JIC, UNF 3/4-16-IR	JIC, UNF 3/4-16-IR
0P2MMP	0574 1269 11	3/8"	1102-00-06 EGEFLEX 2	1 200	JIC, UNF 3/4-16-IR	JIC, UNF 3/4-16-IR
3V12A1	3176 5220 00	1/4"	1102-00-04 EGEFLEX 2	1 200	JIC, UNF 9/16-18-IR	JIC, UNF 9/16-18-IR
3V12B1	3176 5220 00	1/4"	1102-00-04 EGEFLEX 2	1 200	JIC, UNF 9/16-18-IR	JIC, UNF 9/16-18-IR
0P3P4	3176 5864 00	1/4"	1102-00-04 EGEFLEX 2	1 300	JIC, UNF 9/16-18-IR	JIC, UNF 9/16-18-IR
T5A6	3176 5687 00	1/4"	1102-00-04 EGEFLEX 2	900	JIC, UNF 9/16-18-IR	JIC, UNF 9/16-18-IR
T5A7	3176 6854 00	1/4"	1102-00-04 EGEFLEX 2	600	JIC, UNF 9/16-18-IR	JIC, UNF 9/16-18-IR
T5A12	0574 0255 11	1/4"	1102-00-04 EGEFLEX 2	400	JIC, UNF 9/16-18-IR	JIC, UNF 9/16-18-IR
T5A16	3176 6854 00	1/4"	1102-00-04 EGEFLEX 2	600	JIC, UNF 9/16-18-IR	JIC, UNF 9/16-18-IR
3V7A	3176 7457 00	1/4"	1102-00-04 EGEFLEX 2	350	JIC, UNF 9/16-18-IR	JIC, UNF 9/16-18-IR
0P1LS1	0574 1260 11	3/8"	1102-00-06 EGEFLEX 2	650	JIC, UNF 3/4-16-IR	JIC, UNF 3/4-16-IR
T4A	3176 6486 00	1/4"	1102-00-04 EGEFLEX 2	1 000	JIC, UNF 9/16-18-IR	JIC, UNF 9/16-18-IR
2WPLS	0574 0274 11	1/4"	1102-00-04 EGEFLEX 2	1 700	JIC, UNF 9/16-18-IR	JIC, UNF 9/16-18-IR
2MMLS	0574 0256 11	1/4"	1102-00-04 EGEFLEX 2	450	JIC, UNF 9/16-18-IR	JIC, UNF 9/16-18-IR
3V16A	0574 0255 11	1/4"	1102-00-04 EGEFLEX 2	400	JIC, UNF 9/16-18-IR	JIC, UNF 9/16-18-IR
3V16B	0574 0255 11	1/4"	1102-00-04 EGEFLEX 2	400	JIC, UNF 9/16-18-IR	JIC, UNF 9/16-18-IR
2MMBP	3176 3733 00	3/8"	1102-00-06 EGEFLEX 2	700	JIC, UNF 3/4-16-IR	JIC, UNF 3/4-16-IR
3V10BR	3176 6976 00	1/4"	1102-00-04 EGEFLEX 2	2 000	JIC, UNF 9/16-18-IR	JIC, UNF 9/16-18-IR
1VBDR1	3176 5679 00	1/4"	1102-00-04 EGEFLEX 2	500	JIC, UNF 9/16-18-IR	JIC, UNF 9/16-18-IR
3V21DR	3176 5679 00	1/4"	1102-00-04 EGEFLEX 2	500	JIC, UNF 9/16-18-IR	JIC, UNF 9/16-18-IR

Hydraulic Diagram CS14

Hose list

9844 0008 46

Pos.	Part No.	Hose Dia.	Hose type.	Length. (mm)	End A.	End B.
3719 0030 97 PRESSURE GAUGE HOSE KIT CS						
3GFD	3715 6776 00	1/4"	312-9/16-9/16-04	1 000	JIC, UNF 9/16-18-IR	JIC, UNF 9/16-18-IRGFD
1GP	3716 0195 00	1/4"	312-9/16-9/16-04	400	JIC, UNF 9/16-18-IR	JIC, UNF 9/16-18-IRGP1
3GHB	3715 6776 00	1/4"	312-9/16-9/16-04	1 000	JIC, UNF 9/16-18-IR	JIC, UNF 9/16-18-IRGHB
3GRH	3715 6776 00	1/4"	312-9/16-9/16-04	1 000	JIC, UNF 9/16-18-IR	JIC, UNF 9/16-18-IRGRH
3V1P3	3716 0195 00	1/4"	312-9/16-9/16-04	400	JIC, UNF 9/16-18-IR	JIC, UNF 9/16-18-IR1V2

Hydraulic Diagram CS14

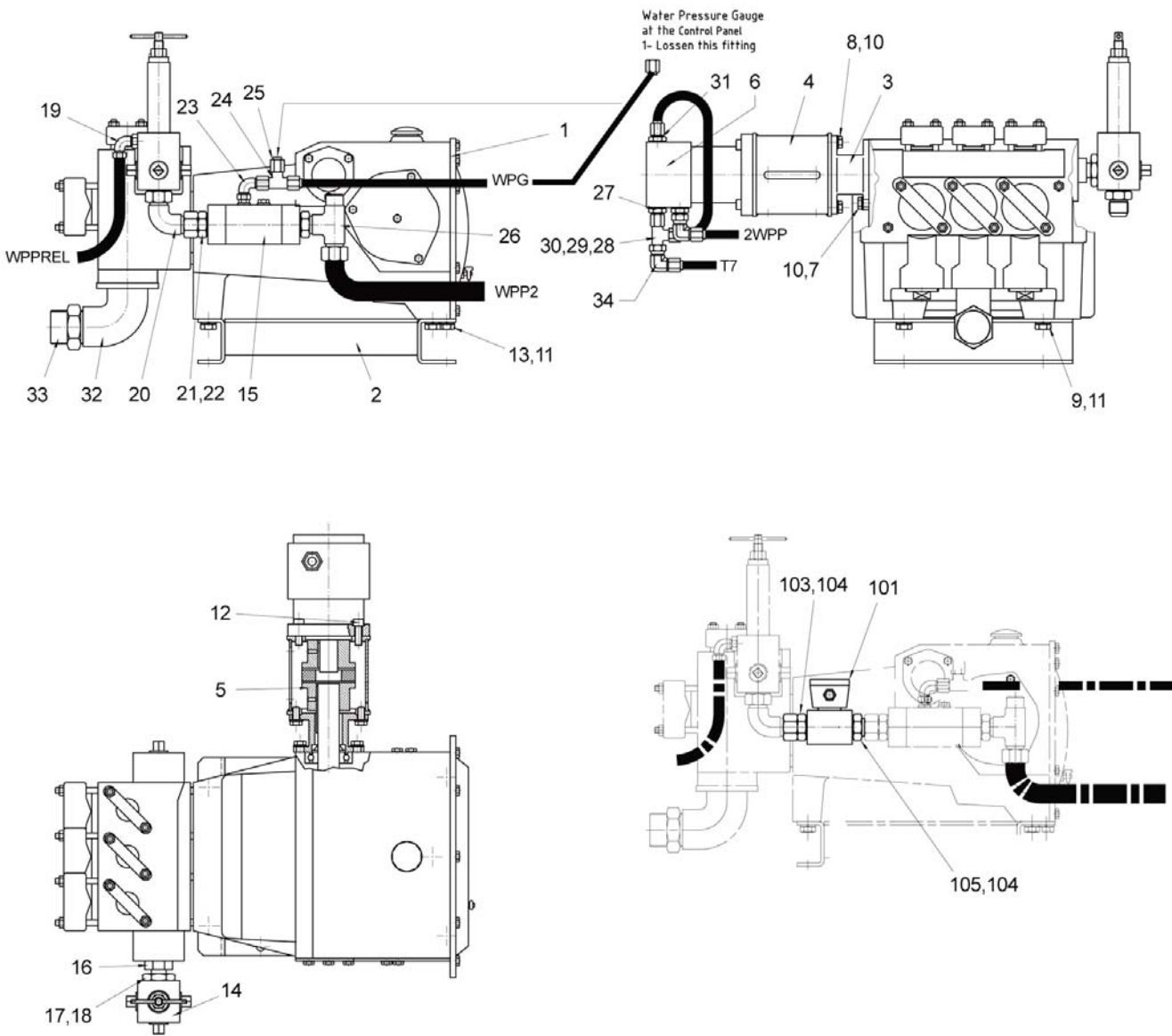
Hose list

9844 0008 46

Flush pump / Spülpump

Spolpump / Bomba de inyeccion / Pompe d'injection

3719 0031 25



Flush pump / Spülpump

Spolpump / Bomba de inyeccion / pompe d'injection

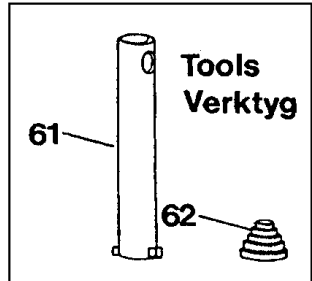
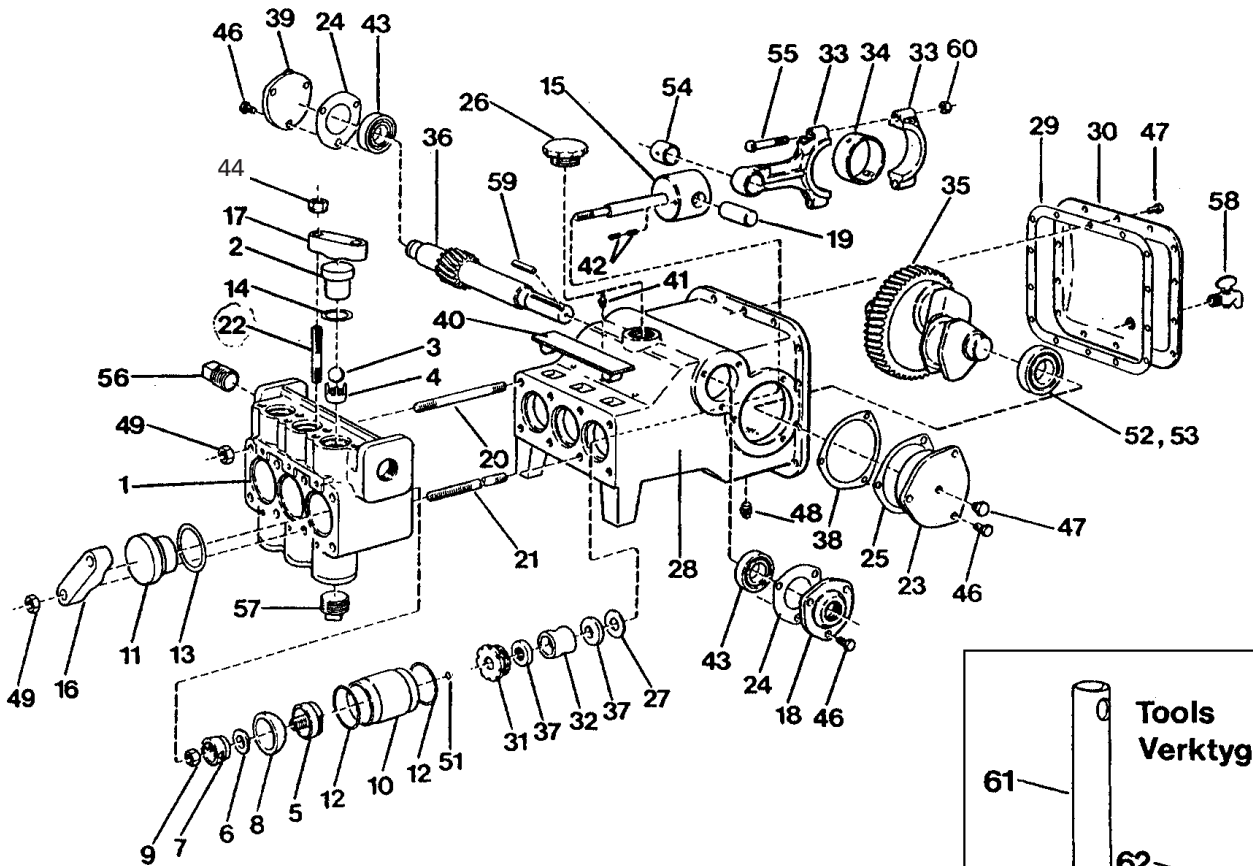
3719 0031 25

Ref. No.	Part No.	Qty.	Description	Notes
-	0686 3718 01	1	PLUG	G 3/8" ED VSTI R 3/8-ED
-	0574 0071 76	1	HOSE	3/8" L=600
1	8492 0208 16	1	FLUSH PUMP	140
2	3718 0401 64	1	FRAME	
3	3716 5897 00	1	FLANGE.....	
4	3716 5887 00	1	FLANGE.....	
5	3716 5899 00	1	COUPLING	
6	3716 5898 01	1	HYDRAULIC MOTOR	102CC FIXED
7	0144 3363 03	3	SCREW.....	U6S 1/2 UNC x 32
8	0147 1400 03	4	SCREW.....	M6S 12 x 25
9	0144 3447 03	2	SCREW	U6S UNC 5/8 x 38
10	0301 2358 00	7	WASHER	12 BRB 13 x 24 x 2.5
11	0301 2378 00	5	WASHER.....	16 BRB 17 x 30 x 3
12	0211 1402 00	4	CAP SCREW.....	MC6S 12 x 35
13	0144 3445 03	3	SCREW.....	UNC 5/8 x 32
14	3715 7643 80	1	SAFETY VALVE	
15	3716 5655 80	1	PRESSURE TRANSMITTER	
16	3715 7342 00	1	NIPPLE.....	R 1"- 1 1/4 NPTF
17	3715 7341 00	1	NUT	
18	0663 9186 00	1	O-RING	29.75 x 3.53
19	0606 0000 38	1	NIPPLE.....	G 3/4"UF X G 3/4"UF 90STB 7204-12-12
20	0606 0000 08	1	NIPPLE.....	G 1"UF X G 1"UF 90STB 7204-16-16
21	0606 0000 05	1	NIPPLE.....	G 1"UF X G 1"IR 7008-16-16
22	0661 1049 00	1	SEAL WASHER.....	TREDO 23
23	3176 6352 00	1	ELBOW.....	R 3/8" x UN 9/16"
24	3176 5427 00	1	TEE	UN 9/16" x UN 9/16"
25	3176 5429 00	1	CAP	UN 9/16"-18
26	0606 0000 17	1	NIPPLE.....	G 1"UF X UF X UF TSTB 7413-16-16
27	3176 6516 00	2	NIPPLE.....	R 1/2-UN 1 1/16
28	3176 6591 00	1	TEE	UN 1 1/16"
29	3176 6504 00	1	NIPPLE.....	1 1/16-12 3/4-16
30	3176 2930 00	1	NUT	UN 1 1/16"
31	3176 6511 00	1	NIPPLE.....	UN 3/4 x R 1/4
32	0560 1310 00	1	ELBOW	R2" x KR2" 90 GR RSK 1271535
33	3715 7338 00	1	NIPPLE.....	R2" x R2"
34	3715 0589 00	2	ELBOW.....	UN 1 1/16 x 1 1/16
-	3715 7431-90	1	SPARE PART KIT	
-	3716 6625 00	1	DISC VALVE ASSY.	1 valve
-	3716 6625 90	1	DISC VALVE KIT.....	6 valves
-	0686 3718 01	1	PLUG	G 3/8" ED VSTI R 3/8-ED
-	0574 0071 76	1	HOSE	3/8" L=600
3719 0031 39			Option	CS10, CS14
101	3719 0030 70	1	FLOW METER	DN25 (1") DN25 (1"), PADDLE TYPE, PN64, 4-20mA
102	3719 0030 68	1	FLOW METER DISPLAY	
103	3715 7550 00	1	NIPPLE.....	G1"xG1"
104	0661 1049 00	2	SEAL WASHER.....	TREDO 23
105	0606 0000 05	1	NIPPLE.....	G 1"UF X G 1"IR 7008-16-16

Flush pump / Spülpump

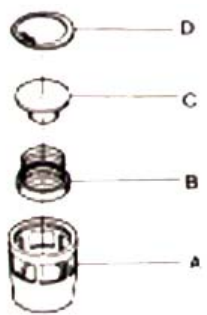
Spolpump / Bomba de inyeccion / Pompe d'injection

8492 0208 16



Werkzeuge

DISC VALVE KIT 3716 6625 00/90



- A - Seat, Valve
- B - Disc and Spring Assembly
- C - Valve seat,
- D - Snap Ring

Flush pump / Spülpump

Spolpump / Bomba de inyeccion / pompe d'injection

8492 0208 16

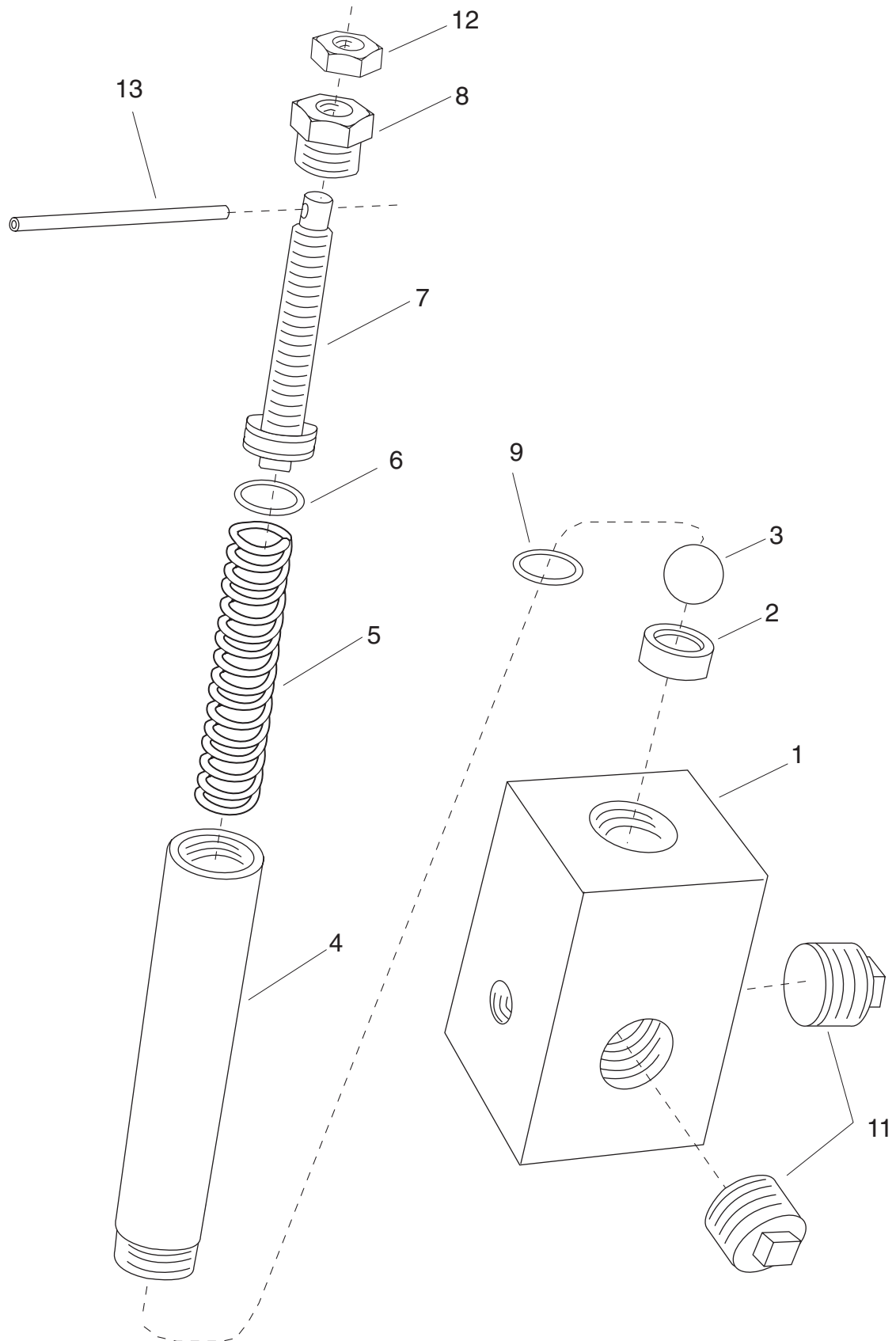
Ref. No.	Part No.	Qty.	Description	Bezeichnung	Notes
1	3715 7443-00	1	Valve housing	Ventilgehäuse	
2	3715 7404-00	3	Valve cover	Ventildeckel	
3	3715 7440-00*	6	Ball	Kugel	
4	3715 7441-00*	6	Valve seat	Ventilsitz	
5	3715 7428-00	3	Plunger cup	Kolben	
6	3715 7430-00	3	Washer		
7	3715 7367-00	3	Nut	Mutter	
8	3715 7427-00*	3	Cylinder Seal	Zylinder Dichtung	2 3/4"
9	3715 7361-00	3	Nut	Mutter	
10	3715 7431-00*	3	Cylinder	Zylinder	
11	3715 7435-00	3	Cylinder head	Zylinderkopf	
12	3715 7432-00*	6	Cylinder gasket	Zylinderdichtung	
13	3715 7436-00*	3	Gasket	Dichtung	
14	3715 7405-00*	3	Gasket	Dichtung	
15	3715 7424-00	3	Cross head & rod	Kreuzkopf e Stange	
16	3715 7434-00	3	Clamp	Klemme	
17	3715 7437-00	3	Clamp	Klemme	
18	3715 7414-00	1	Cap	Verschlusskappe	
19	3715 7422-00	3	Pin	Stift	
20	3715 7439-00	2	Stud	Bolzen	
21	3715 7438-00	6	Stud	Bolzen	
22	3715 7442-00	6	Stud	Bolzend	
23	3715 7411-00	2	Bearing housing	Lagergehäuse	
24	3715 7416-00	2	Gasket	Dichtung	
25	3715 7412-00	2	Gasket	Dichtung	
26	3715 7387-00	1	Cap	Verschlusskappe	
27	3715 7448-00	3	Gasket	Dichtung	
28	3715 7445-00	1	Pump case	Pumpengehäuse	
29	3715 7450-00	1	Gasket	Dichtung	
30	3715 7451-00	1	Cöver	Abdeckung	
31	3715 7433-00	3	Nut	Mutter	
32	3715 7447-00	3	Sleeve	Hülse	
33	3715 7417-00	3	Piston rod	Kolbenstange	
34	3715 7421-00	6	Bearing	Lager	
35	3715 7407-00	1	Crankshaft	Kurbelwelle	
36	3715 7408-00	1	Drive shaft	Ritzelwelle	
37	3715 7446-00*	6	Plunger rod seal	Kolbenstangendichtung	
38	3715 7413-00	5	Shim	Beilagscheibe	
39	3715 7415-00	1	Cover	Abdeckung	
40	3715 7406-00	1	Cover plate	Abdeckung	
41	0544 2162-00	3	Lub.nipple	Schmiernippel	H1 KR 1/8"
42	3715 7425-00	6	Screw	Schraube	
43	0502 2108-00	2	Ball bearing	Kugellager	6208
44	0268 3108-00	6	Hex. Nut	Mutter	U6M 1/2" UNC
46	0144 3363-03	12	Screw	Schraube	U6S 1/2" UNC x 32
47	0144 3360-03	18	Screw	Schraube	U6S 1/2" UNC x 19
48	3715 7449-00	2	Plug	Stopfen	
49	0268 3110-00	8	Nut	Mutter	U6M 5/8"
51	3715 7396-00	3	O-ring	O-ring	
52	3715 7409-00	2	Bearing	Lager	Bean 1101176
53	3715 7410-00	2	Bearing	Lager	Bean 1177474
54	3715 7418-00	3	Bushing	Hülse	
55	3715 7419-00	6	Bolt	Bolzen	
56	3715 7926-00	1	Plug	Stopfen	1 1/4" NPT
57	3715 7927-00	2	Plug	Stopfen	2" NPT
58	3715 7452-00	1	Petcock	Ablasshahn	
59	3715 7337-00	1	Key	Keil	
60	3715 7420-00	6	Nut	Mutter	
61	3715 7453-00	1	Remover	Werkzeuge	
62	3715 7454-00	1	Remover	Werkzeuge	
-	3715 7431-90	1	Spare parts kit	Ersatzteilsatz	
-	3716 6625 00	1	Disc valve ass.	Ventil	1 valve
-	3716 6625 90	1	Disc valve kit	Ventil kit	6 valves

*) included in 3715 7431-90

Safety valve / Sicherheitsventil

Säkerhetsventil / Soupape de sécurité / Válvula de seguridad / Valvola di sicurezza

3715 7643 80

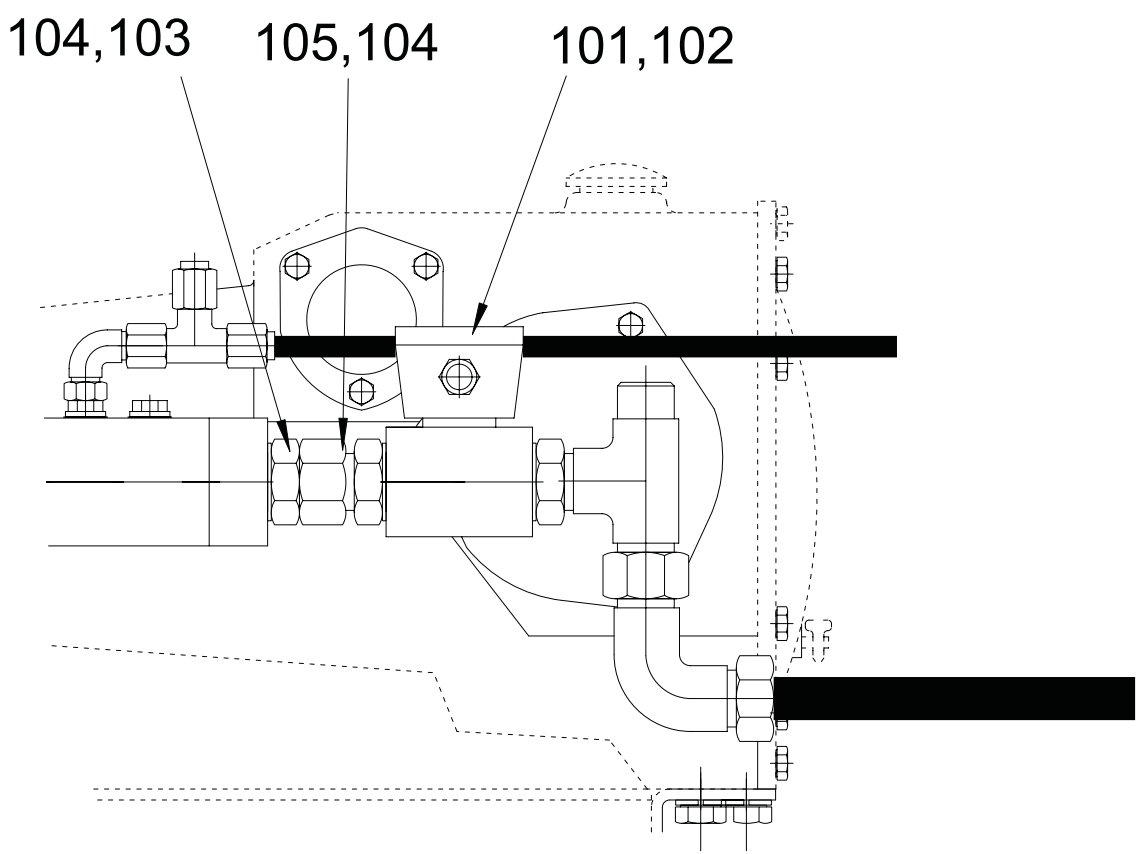


Safety valve / Sicherheitsventil

Säkerhetsventil / Soupape de sûreté / Válvula de seguridad / Valvola di sicurezza

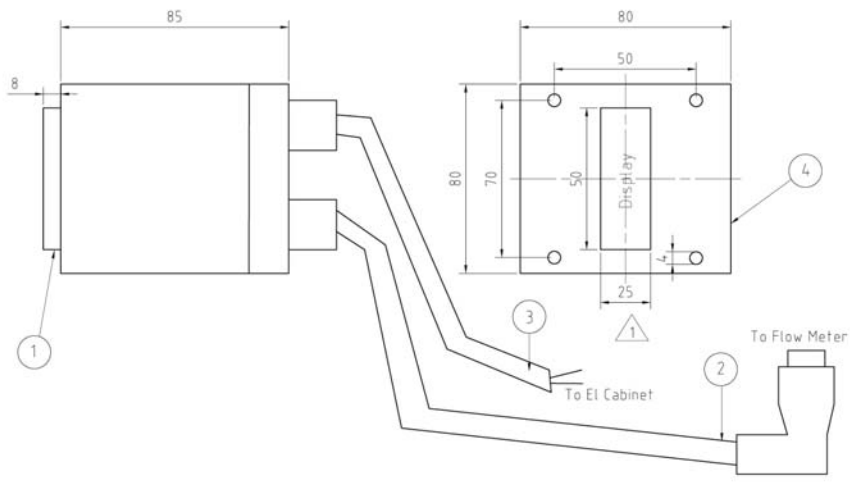
3715 7643 80

Ref. No.	Part No.	Qty.	Description	Note
1	3715 7643 00	1	HOUSING	
2	3715 8585 00	1	VALVE SEAT	
3	3715 7663 00	1	BALL	
4	3715 7644 00	1	PIPE	
5	3715 7671 00	1	SPRING	
6	0663 2127 00	1	O-RING	24.2 x 3.0 70 GR
7	3715 7646 00	1	SPINDLE	
8	3715 7645 00	1	NUT.....	
9	3716 4400 00	1	SPACER.....	
11	0686 3718 04	2	PLUG.....	G 1"-ED VSTI R 1-ED
12	0266 2114 00	1	HEX. NUT	M6M M16
13	3715 8142 00	1	PIN	



- Pos 1 (3719 0033 53)
Display 6 529.012.300
IP65, 10-30VDC Feed, 0-20mA input signal
- Pos 2 (3719 00032 58)
M12, 8 pole, angled female,
10m integrated PUR cable
- Pos 3
10m, 2x0.75 cable
mark 1(-) och 2(-) at open end
- Pos 4
Cabinet 2560000 with 2 pcs gland

Setting	
RANGE	4-20MA
MAX	NO
MIN	NO
DP	0
LO	2.86
LODIS	-10
HIGH	20
HIDIS	14.0
ENDPRD	YES



Kontakt Diagram			
Pos 1		Pos 2	Pos 3
kontakt		kontakt	Wire
1	10-30VDC	1,4	1(+)
2	0V		2(-)
3	0V	3	
4	-----		
5	0-20MA	6	
6	0V (GND)	3	
7	-----		

Flow meter kit

Optional equipment

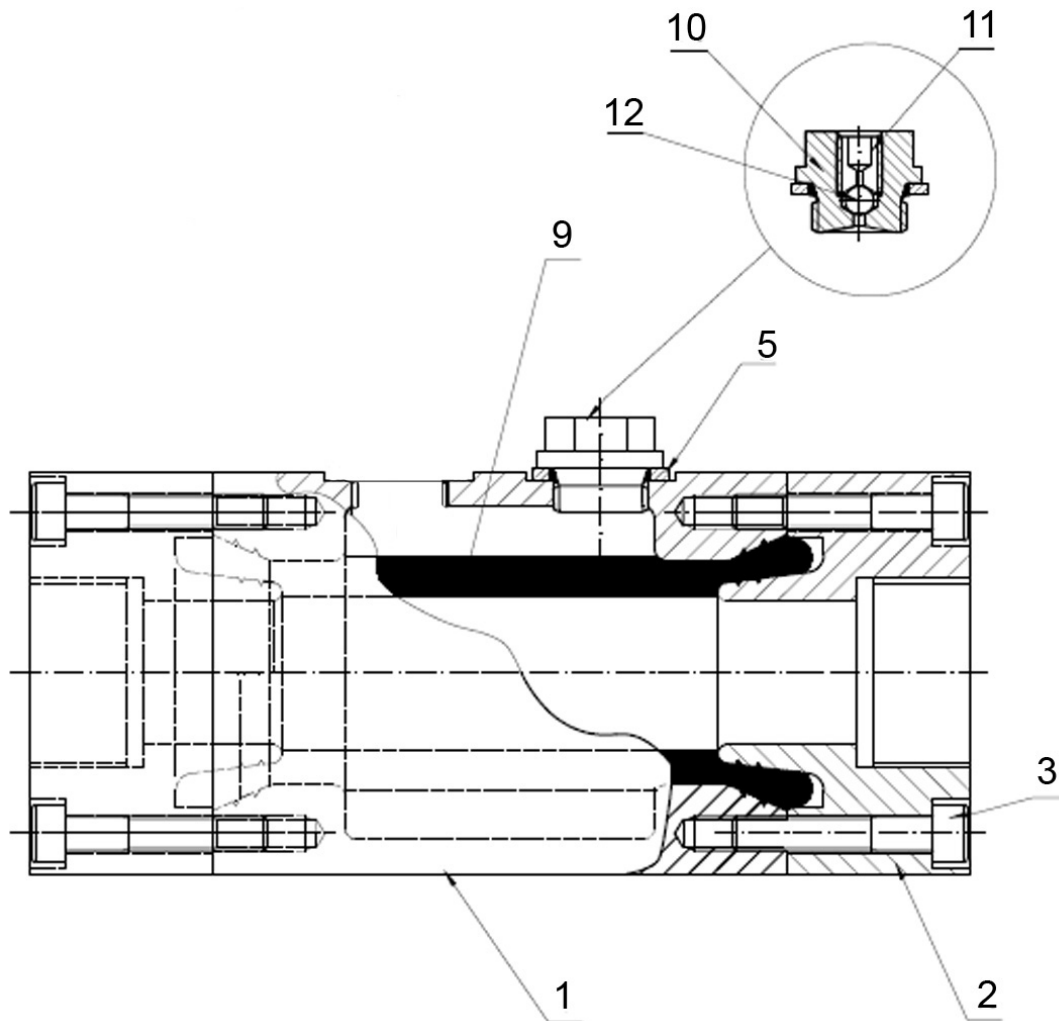
3719 0031 39

Ref. No.	Part No.	Qty.	Description	Notes
101	3719 0030 70	1	FLOW METER	DN25 (1") , PADDLE TYPE, PN64, 4-20mA
102	3719 0030 68	1	FLOW METER DISPLAY.....	
-	3719 0033 53	1	DISPLAY.....	.6.529.012.300
-	3719 0032 58	1	CABLE.....	10m
-	-	1	CABLE.....	1m
-	-	1	BOX	256000
103	3715 7550 00	1	NIPPLE.....	R 1" x R 1"
104	0661 1049 00	2	SEAL WASHER.....	TREDO 23
105	0606 0000 05	1	NIPPLE	G 1"UF X G 1"IR

Pressure meter / Druck messer/

Manometer / Capteur de pression / Manómetro

3716 5655 80



Pressure meter / Druck messer/

Manometer / Capteur de pression / Manómetro

3716 5655 80

Ref. No.	Part No / Teilnr.	Qty.	Description	Notes
1	3716 5655 00	1	PIPE	
2	3716 5656 00	2	END COVER	
3	0211 1251 00	12	CAP SCREW.....	MC6S 6 x 35
* 5	0661 1026 00	1	SEAL WASHER	Tredo 16
* 9	3716 5750 00	1	HOSE	
10	3716 6073 00	1	AIR NIPPLE.....	
* 11	3715 3028 00	1	NOZZLE	1.0 M8
* 12	0517 1112 00	1	BEARING BALL	RB-6,35/III

* = positions marked with this mark, are included in a service kit for the pressure meter.

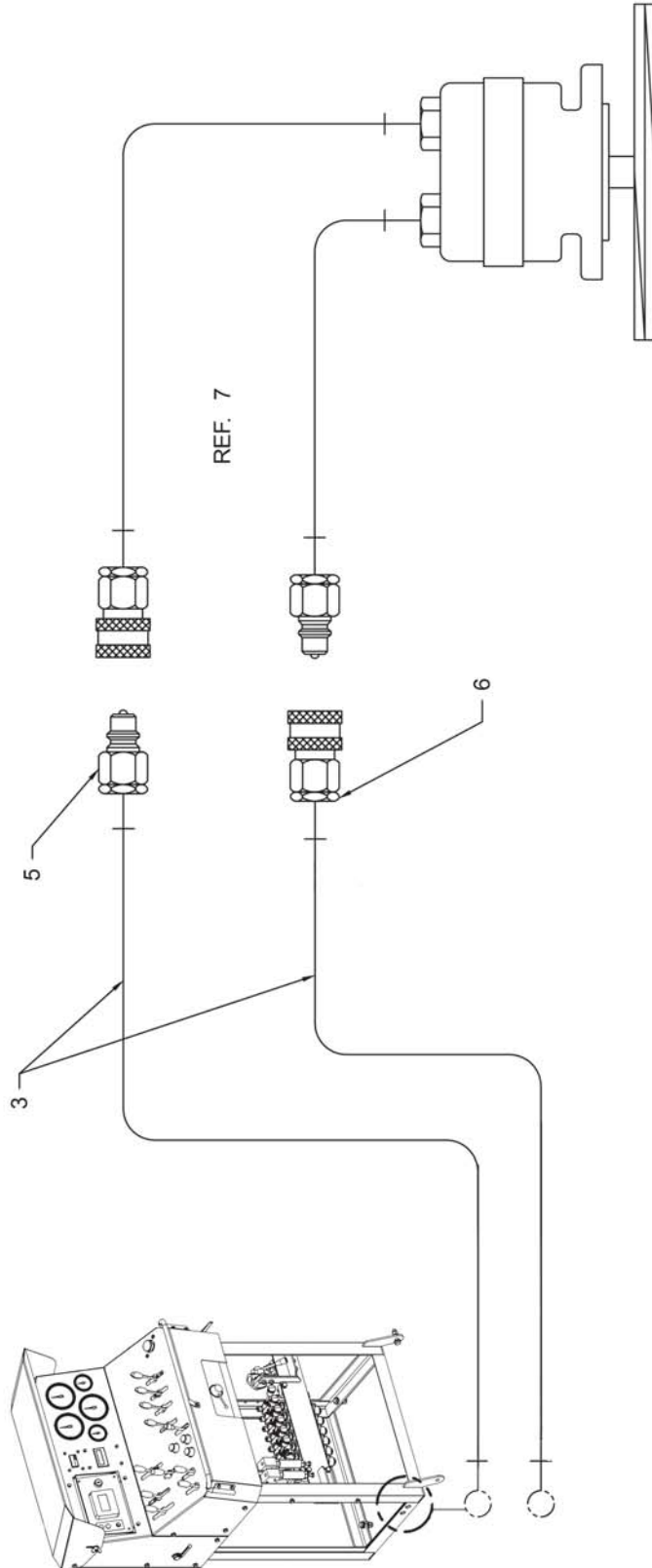
3716 5655 91 Overhaul Kit, Pressure meter includes 2 items of each number marked with a *.

Mud Mixer

Mud Mixer

Optional equipment

3760 0046 06



Mud Mixer

Mud Mixer

Optional equipment

3760 0046 06

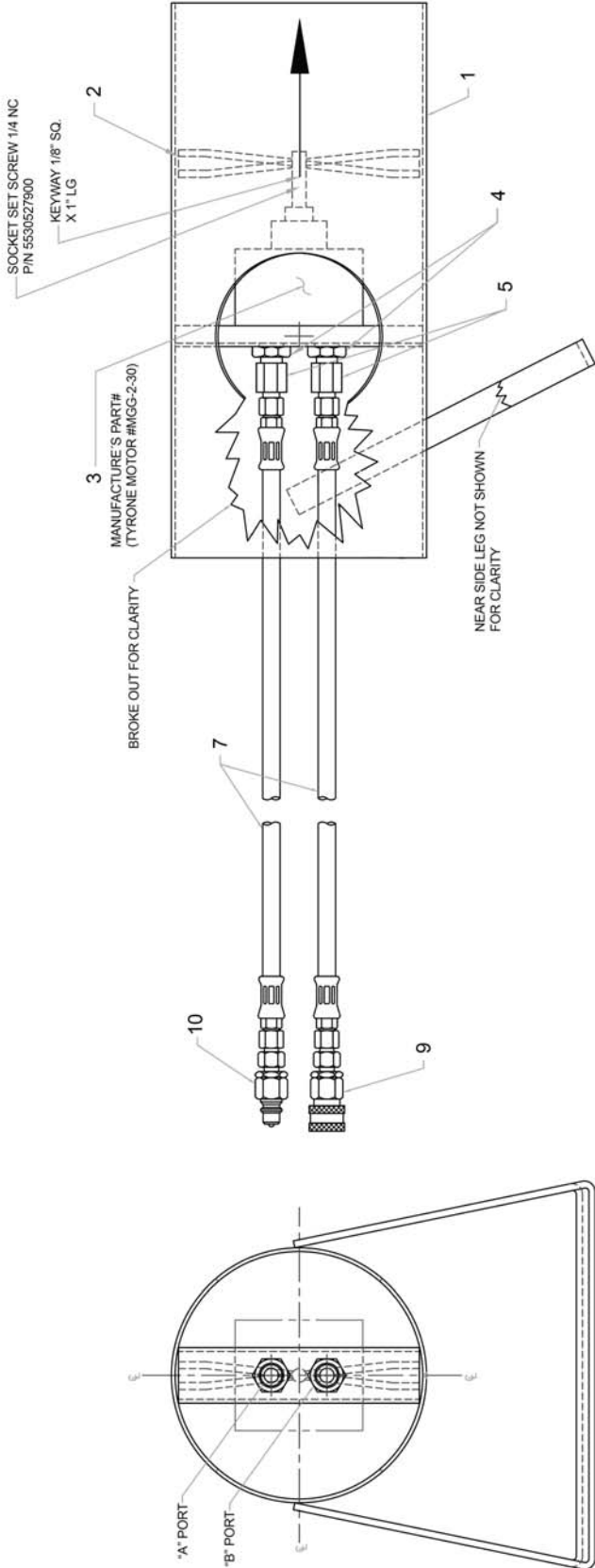
Ref. No.	Part No / Teilnr.	Qty.	Description	Notes
-	0571 0200 01	1	DUST PLUG	6 (FEMALE)
-	3760 0098 52	1	DUST CAP	6 (MALE)
3	3760 0108 75	2	HOSE	L= 1220 (48 in) 100R2AT 3/8
5	0571 0170 01	1	QUICK DISCONNECT	6 (FEMALE) -SEAL 2911733
6	3760 0098 28	1	QUICK DISCONNECT	6 (MALE)
7	3760 0046 07	1	MUD MIXER ASSY	(B)

Mud Mixer Assembly

Mud Mixer

Optional equipment

3760 0046 07



Mud Mixer Assembly

Mud Mixer

Optional equipment

3760 0046 07

Ref. No.	Part No / Teilnr.	Qty.	Description	Notes
-	0571 0200 01	1	DUST PLUG	6 (FEMALE)
-	3760 0098 52	1	DUST CAP	6 (MALE)
-	5530 5279 00	1	SOCKET SET SCREW	1/4 NC
1	3760 0093 09	1	MIXER MUD.....	
2	3760 0093 10	1	PROPELLER MIXER	
3	3760 0090 22	1	TYRONE MOTOR	0.7" DISP
4	3760 0044 54	2	BULKHEAD	10 ORB/10 JIC
5	3760 0029 97	2	TUBE END REDUCER	10-06
7	3760 0125 78	1	HOSE	L=6100 (240 in) 100R2AT 3/8
9	0571 0170 01	1	QUICK DISCONNECT	6 (FEMALE) #6-SEAL 2911733
10	3760 0098 28	1	QUICK DISCONNECT	6 (MALE)

Surface Core Rig CS/CT-14, Spare Part Proposal

One shift of operation for one rig



Ref. No.	Description	Part Number	Quantity		Comment
			1 Year	2 Years	
Carrier					
1	Seal kit, tilt cylinder	9120 0993 08		2	
2	Cotter pin	0111 1686 09	2	4	
3	CS14 Seal kit, jack cylinder	9121 5913 50	1	3	Small jack
4	CS14 Seal kit, jack cylinder	9121 5987 50	1	1	Large jack
5	CT14 Seal kit, jack cylinder	9120 0993 12	1	4	
Power Unit					
1	CAT 6.6				
	Maintenace Kit, CAT/tripel fuel filter	3719 0035 74	4	8	CAT 6.6 engine
	- 1xV-belt, 1xTer. Fuel filter, 1xFuel filter, 1xWater sep. filter, 1xOil filter, 1xAir filter (pri), 1xAir filter (sec),				
2	Cummins QSB5.9				
	Maintenace Kit, Cummins	3719 0030 32	2	4	Cummins engine QSB5.9
	- 1xV-belt, 2xFuel filter, 2xWater separator filter, 2xOil filter, 2xAir filter (pri) and 1xAir filter (sec)				
Hydraulic tank					
3	Return oil filter insert kit	3719 0004 26	2	4	Hyd. oil tank
4	Air breather	3718 0404 27	1	1	Hyd. oil tank
5	Filter indicator	3980 1168 01		1	Hyd. oil tank
Hydraulic pumps					
6	Hydr. Pump package	3719 0031 00		(1)	Triple pumps
7	Packing kit, 140cc pump	3719 0008 49		1	
8	Packing kit, 71cc pump	3717 0005 59		1	
9	Packing kit, 28cc pump	3719 0004 29		1	
Mast assembly					
1	Seal Kit, feed cylinder	3719 0030 36	1	2	
2	Seal Kit, feed dump cylinder	9120 0993 10		1	
3	Lub. Nipple	0544 1100 12	1	2	
4	Wear plate	3719 0021 17	4	8	Cradle
5	Slotted screw	0162 1569 44	20	40	Cradle
6	Support roller	3719 0029 17		1	
7	Wear plate	3719 0025 77		2	Feed rail
8	Screw	0147 1322 03		8	Feed rail
9	Washer	0301 2335 00		8	Feed rail
10	Main pulley	3719 0025 40		1	
11	Rod kick cylinder	3719 0029 34		(1)	
Rotation Head assembly					
1	Seal kit	3760 0071 80	1	2	Chuck
2	Chuck bearing	3760 0071 86	2	2	Chuck
3	Chuck cylinder	3760 0033 43		1	Chuck
4	Chuck piston	3760 0033 14	1	2	Chuck
5	Spring	3760 0071 87	10	20	Chuck
6	Special bolt	3760 0033 09	10	20	Chuck
8	Special bolt, chuck adapter-	3760 0033 08	8	16	Chuck
9	Seal Kit	3760 0071 70	1	2	Rot. head "P"
10	Oil filter	3760 0071 58	8	18	Rot. head "P"
11	Oil pump	3760 0032 01		1	Rot. head "P"
12	Chain	3760 0032 22		1	Rot. head "P"
13	Bearing	3760 0071 75	4	8	Rot. head "P"
14	O-ring	3760 0071 76	4	4	Rot. head "P"
15	Key, woodruff	3760 0071 77	2	2	Rot. head "P"
16	Bearing roller thrust	3760 0071 74		2	Rot. head "P"
17	Chuck Jaw & Bushing Kit		2	4	Dimension related

Surface Core Rig CS/CT-14, Spare Part Proposal
One shift of operation for one rig



Ref. No.	Description	Part Number	Quantity		Comment
			1 Year	2 Years	

Control System

1	Ball valve	3719 0011 98		1	
2	Dir. valve	3719 0029 93		1	Chuck
3	Valve, flow control	3719 0029 36		1	Water
4	Knob	3716 3639 00		1	Press. Red. Valves
5	Press. Red. Valve	3719 0006 73		1	Rotation
6	Press. Red. Valve	3719 0006 75		2	Feed & retract
	- Packing Kit	3742 0655 90	1	3	Press. Red. Valves
7	Directional valve	3719 0006 74		1	Drill feed
	- Packing Kit	3719 0007 92	1	1	Directional valve
8	Press. Guage	3719 0025 78		1	Hold back
9	Press. Guage	3719 0025 79		1	Feed force
10	Press. Guage	3716 3505 00		1	Water press.
11	Dir. valve	3718 0405 74		1	RH

Rod holder

1	Overhaul Kit, RH B-P	3719 0033 11		1	
2	Overhaul Kit, RH insert	3719 0033 12		1	
3	Gas cylinder	3719 0032 88		1	
4	Socket holder	3719 0035 88		1	
5	RH Jaw Kit		2	4	Dimension related
6	Guide		1	2	Dimension related

Flush pump, Trido 140

1	Replacement Kit, valves	3715 7431 96	1	1	
2	Replacement Kit, valves & cylinders	3715 7431 90		1	
3	Overhaul Kit,	3716 5655 91	1	1	Press. transmitter

Miscellaneous

1	Bearing	0502 8010 25		2	Wire line winch
2	Seal Kit	3719 0040 25		1	Main hoist

Dimension Kits

1	Chuck Jaw & Bushing Kit, BQ	3760 0071 33			5x jaws, 1x spring & 1x bushing
2	Chuck Jaw & Bushing Kit, NQ	3760 0071 35			5x jaws, 1x spring & 1x bushing
3	Chuck Jaw & Bushing Kit, HQ	3760 0032 25			5x jaws, 1x spring & 1x bushing
4	Chuck Jaw & Bushing Kit, PQ	3760 0071 37			5x jaws, 1x spring & 1x bushing
5	RH Jaw Kit, 54 mm (B)	3719 0032 00			includes 2 jaws
6	RH Jaw Kit, 70 mm (N)	3719 0032 01			includes 2 jaws
7	RH Jaw Kit, 89 mm (H)	3719 0032 02			includes 2 jaws
8	RH Jaw Kit, 114 mm (P)	3719 0032 03			includes 2 jaws
9	Guide socket B	3719 0035 91			Plastic
10	Guide socket N	3719 0035 90			Plastic
11	Guide socket H	3719 0035 89			Plastic
12	Socket holder B-P	3719 0035 88			Steel, guide socket for P size

Above part proposals are recommendations during normal operation and care of the equipment and do not take into consideration the actual site conditions, geologi etc.