

Atlas Copco Exploration Products

DIAMEC Diamond Core Drill



DIAMEC U4 PHC

Spare parts list





Spare parts list for

Diamond Core Drill Rig

DIAMEC U4

Skid version

ATLAS COPCO CRAELIUS AB
MÄRSTA - SWEDEN 08-04

English

To be read before ordering

1. When ordering spare parts, please state Description and part number of the spare part (not the Ref. no.) as well as drill type designation and serial number.
2. Parts which are included in a subassembly are given immediately after this part and are preceded by a dash in the description column.

Symbols that may occur:

- *) Placed instead of part number in part number column, means that the indicated part is normally not Delivered separately. Can be ordered as a kit, see point 2.
- ***) Optional
- A) When ordering, please state part number, hose dimension and length.
- B) See separate list according to the **List of contents**.

Deutsch

Vor der Ersatzteilbestellung lesen:

1. Bei der Ersatzteilbestellung bitte die Teilbenennung und die Ersatzteilnummer (10-stellig), Ausführungstyp und Seriennummer der Maschine angeben.
2. Teile, die einer Montagegruppe angehören sind unmittelbar danach aufgliedert und durch einen Strich in der Spalte "Bezeichnung" gekennzeichnet.

Verwendete Symbole:

- *) Ein Sternchen anstelle einer Teilnummer bedeutet, daß das so gekennzeichnete Teil normalerweise gesondert geliefert wird. Kann auch im Set bestellt werden, siehe Punkt 2.
- ***) Auf Sonderwunsch lieferbar.
- A) Bei Bestellung bitte Teilnummer und Schlauchgröße, -länge, -durchmesser usw. angeben!.
- B) Siehe separate Liste!.

Svenska

Läs detta innan du beställer reservdelar:

1. Ange artikelns namn och detaljnummer (inte bara Ref. nr.) och även maskinens typ- och serienummer vid beställning av reservdelar.
2. Delar som ingår i huvudartikeln nämns efter denna och föregås av ett streck i "Beskrivningskolumnen".

Teckenförklaring:

- *) Ersätter detaljnummer, vilket innebär att detaljen vanligtvis inte levereras separat utan ingår i en sats, se punkt 2.
- ***) Extra utrustning
- A) Ange detaljnummer, slangdimension och längd.
- B) Se innehållsförteckningen.

Français

Information pour la commande

1. Prière de spécifier la description et le numéro de la pièce (et non sa référence) ainsi que la designation de type et le numéro de série de la machine ou de l'unité.
2. Les pièces faisant partie d'un sous-ensemble partiel sont indiquées immédiatement après celui-ci et sont précédées d'un tiret dans la colonne de la description.

Symboles utilisés:

- *) Placé au lieu du numéro de pièce, dans la colonne du numéro de pièce, pour indiquer que la pièce n'est normalement pas livrée séparément. Voir point 2 pour savoir si la pièce est également livrée en kit.
- ***) Option.
- A) Lors de la commande, prière de spécifier le numéro de pièce ainsi que la longueur et les dimensions du flexible.
- B) Voir a liste séparée selon Sommaire.

Considerar antes de hacer un pedido

1. Al solicitar piezas de repuesto, sirvase indicar la designación y el número de la pieza (No su número de referencia) así como el tipo de máquina y número de serie.
2. Las piezas que forman parte de un subconjunto vienen relacionadas inmediatamente después del subconjunto y vienen precedidas de un guión.

Indicacion de los símbolos:

- *) Colocados en lugar número de la pieza significa que la pieza indicada no se suministra separadamente. Se puede pedir como parte de juego. Ver punto 2 arriba.
- ***) Opcional
- A) Cuando efectúe el pedido, indicar la designación de la pieza y el diámetro de la manguera, longitud, etc.
- B) Ver en lista a parte de acuerdo con la relación de contenido.

Leggere prima di ordinare:

1. Quando ordinate un ricambio, per favore indichi "Description", "part number" ma non il "Ref. no." e, possibilmente, modello e numero di serie della macchina.
2. I ricambi che sono inclusi in un sottoinsieme sono elencati immediatamente dopo questa parte e sono preceduti da un trattino nella colonna "Description".

Simbolo utilizzati:

- *) Collocato, in sostituzione del "part number" nell'apposita colonna indica che quel ricambio normalmente non è consegnabile separatamente. Può essere ordinato solo in un kit, vedi punto 2.
- ***) Accessorio
- A) Trattandosi di flessibili idraulici, preghiamo specificare, oltre al "part number", anche dimensioni e lunghezza.
- B. Consultare la lista specifica facendo riferimento all'indice.

Leia antes de encomendar

1. Quando efectuar um pedido de peças, indique a sua designação e o número da peça (e não a sua referência) bem como o tipo de máquina a que se destinam e o seu número de série.
2. As peças que fazem parte de um conjunto são indicadas imediatamente após esse conjunto e são precedidas por um traço, na coluna à sua descrição.

Simbolos utilizados:

- *) Colocado na coluna das referências significa que a peça não é fornecida separadamente. A peça deverá fazer parte de um conjunto. Leia ponto 2.
- ***) Opcional.
- A) Quando efectuar o pedido, indique a designação da peça e o diâmetro da mangueira, comprimento.
- B) Consulte a lista em anexo, conforme mencionado no conteúdo.

Drill assembly

| | Content | Innehåll | Part No. | Page | |
|---|---|---|--------------------------------|---------------------|-----------|
| DRILL RIG | Diamec U4 Short feed | Diamec U4 Kort matare | 8314 0137 10 | 8 | |
| | Diamec U4 Long feed | Diamec U4 Lång matare | 8314 0137 00 | 10 | |
| | Diamec U4 Options | Diamec U4 Optioner | 3719 0041 90 | 12 | |
| SKID | SKID ASSEMBLY | | 3719 0017 23 | 16 | |
| | SKID | SLÄDRAM | 3719 0017 23 | 16 | |
| | STAY ASSEMBLY | STÖDBEN | 3719 0002 19 | 22 | |
| | HYDRAULIC CYLINDER | HYDRAULCYLINDER | 3719 0000 47 | 24 | |
| | SKID DUMP CYLINDER KIT | | 3719 0018 36 | 26 | |
| | FEED DUMP CYLINDER KIT | | 3719 0018 35 | 28 | |
| | FEED FRAME | FEED FRAME COMPLETE LONG | MATARRAM LÅNG | 3719 0017 27 | 34 |
| FEED FRAME ASSEMBLY LONG | | MATARRAM | 3719 0016 39 | 36 | |
| FEED CYLINDER | | MATARCYLINDER | 3719 0016 35 | 38 | |
| FEED FRAME LONG HOSE KIT | | MATARRAM. SLANGSATS | 3719 0018 29 | 40 | |
| CRADLE ASSEMBLY | | SLÅDE | 3719 0016 95 | 42 | |
| ROD HOLDER ASSEMBLY | | RÖRHÅLLARE | 3719 0016 86 | 44 | |
| E-STOP KIT->2007 | | NÖDSTOPP | 3719 0017 33 | 46 | |
| E-STOP KIT<-2008 | | NÖDSTOPP | 3719 0019 61 | 46 | |
| ROD PULLEY | | RÖRSTÖD | 3719 0017 20 | 48 | |
| SUPPORT BRACKET ASSEMBLY | | STÖD | 3719 0017 02 | 50 | |
| WALL BRACKET ASSEMBLY | | BERGFÄSTE | 3719 0017 44 | 52 | |
| HOSE PROTECTION (3X) | | SLANGSKYDD | 3716 2761 00 | | |
| HOSE STRIP (15 X) | | SLANGSKYDDSFÄSTE | 3176 3681 00 | | |
| FEED FRAME COMPLETE, SHORT | | MATARRAM KORT | 3719 0017 28 | 54 | |
| FEED FRAME ASSEMBLY SHORT | | MATARRAM | 3719 0016 41 | 56 | |
| FEED CYLINDER | | MATARCYLINDER | 3719 0016 90 | 58 | |
| FEED FRAME SHORT HOSE.KIT | | SLANGSATS | 3719 0018 31 | 60 | |
| CRADLE ASSEMBLY | | SLÅDE | 3719 0016 95 | 62 | |
| ROD HOLDER ASSEMBLY | | RÖRHÅLLARE | 3719 0016 86 | 64 | |
| E-STOP KIT->2007 | | NÖDSTOPP | 3719 0017 33 | 66 | |
| E-STOP KIT<-2008 | | NÖDSTOPP | 3719 0019 61 | 66 | |
| ROD PULLEY | | RÖRSTÖD | 3719 0017 20 | 68 | |
| SUPPORT BRACKET ASSEMBLY | | STÖD | 3719 0017 02 | 70 | |
| WALL BRACKET ASSEMBLY | | BERGFÄSTE | 3719 0017 44 | 72 | |
| HOSE PROTECTION (2X) | | SLANGSKYDD | 3716 2761 00 | | |
| HOSE STRIP (10 X) | | SLANGSKYDDSFÄSTE | 3176 3681 00 | | |
| ROTATION UNITS | | ROT. UNIT | | 3719 0016 50 | 74 |
| | | ROT UNIT FITTING KIT | ROTATIONSENHET,NIPPELSATS | 3719 0018 32 | 80 |
| | | ROT. UNIT (High Torque) | | 3715 3878 84 | 82 |
| CONTROL SYSTEM OPT. | | DHC CONTROL SYSTEM | | 3719 0017 05 | 86 |
| | | CONTROL PANEL, U4 | KONTROLLPANEL | 3719 0018 62 | 88 |
| | | RIG VALVE ASSY | VENTILBLOCK | 3719 0019 00 | 98 |
| | | WATER CONTROL KIT, DHC | VATTENSYSTEM | 3719 0018 94 | 100 |
| | | PU-RIG HOSE KIT | SLANGSATS | 3719 0018 38 | 104 |
| | | HOSE PROTECTION (6X) | SLANGSKYDD | 3716 2761 00 | |
| | | HOSE STRIP (25 X) | SLANGFÄSTE | 3176 3681 00 | |
| | | HYDRAULIC SCHEMATIC U4 | HYDRAULSCHEMA | 3719 0017 35 | 106 |
| SAFETY SYSTEM OPTIONS | FEEDFRAME GUARD, LONG, std rotation unit | | 3719 0037 77 | 108 | |
| | FEEDFRAME GUARD, LONG, high torque rotation unit | | 3719 0037 76 | 110 | |
| | FEEDFRAME GUARD, SHORT, std rotation unit | | 3719 0037 79 | 112 | |
| | FEEDFRAME GUARD, SHORT, high torque rotation unit | | 3719 0037 78 | 114 | |

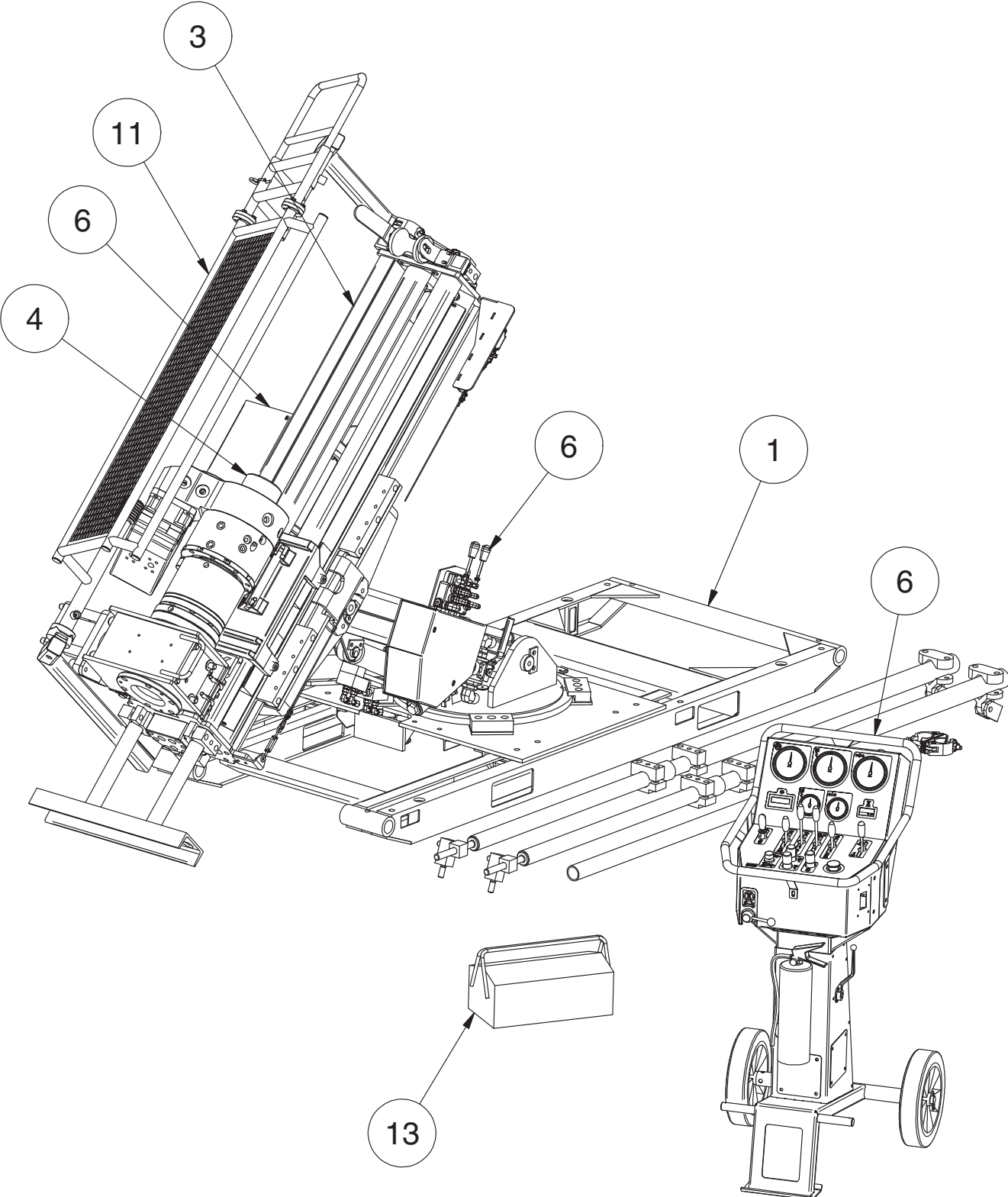
Drill assembly

| | Content | Innehåll | Part No. | Page |
|--|--|--------------------------------|---------------------|------------------|
| APPLICATION RELATED ACCESSORIES | | | | |
| | WL WINCH 500M, LEVEL WIND | VAJERSPEL | 3719 0018 28 | 116 |
| | WIRELINE WINCH LEVELW./ 1300/4.65 | VAJERSPEL, LINSPRIDARE | 3719 0016 00 | 118 |
| | TOP PULLEY U4 | TOPPHJUL | 3719 0019 38 | 120 |
| | WL HOSE KIT | VAJERSPEL, SLANGSATS | 3719 0006 08 | 122 |
| | PIPE EXTENSION | RÖRFÖRLÄNGNING | 3719 0004 45 | |
| | WL WINCH 500M | VAJERSPEL | 3719 0018 33 | 124 |
| | WIRELINE WINCH/ 1300/4.65 | VAJERSPEL | 3719 0018 00 | 126 |
| | TOP PULLEY U4 | TOPPHJUL | 3719 0019 38 | 128 |
| | WL HOSE KIT | VAJERSPEL, SLANGSATS | 3719 0006 08 | 130 |
| | PIPE EXTENSION | RÖRFÖRLÄNGNING | 3719 0004 45 | |
| Waterpump KIT | | | | |
| | WP 80HU6, JIC | SPOLPUMP | 3716 5887 92 | PMI 6991 0593 50 |
| | PUMP,TRIDO 80 H | SPOLPUMP | 3716 5887 80 | PMI 6991 0593 50 |
| | WP FITTING KIT | NIPPELSATS | 3719 0006 02 | 132 |
| | HYD HOSE KIT | SLANGSATS | 3719 0006 10 | |
| | PRESSURE HOSE KIT, 1" x 10m | TRYCKSLANG | 3715 7327 90 | |
| | CE MACHINE SIGN | MASKINSKYLT | 3716 5858 00 | |
| | SUCTION HOSE KIT, 2"x6m | SUGSLANG | 3715 7317 90 | |
| | WHEEL KIT | HJULSATS | 3719 0041 71 | 134 |
| ACCESSORIES | | | | |
| | CASING CLAMP | BACK | 3719 0041 58 | 136 |
| | WATER COLLECTOR | VATTENUPPSAMLARE | 3719 0041 85 | 137 |
| | WALL BRACKET, KEY HOLE | BERGFÄSTE | 3719 0017 77 | 138 |
| | W/L SHEAVE FOR STEEP UPHOLE | BRYTHJUL | 3719 0017 71 | 139 |
| | WATER SWIVEL 18/0 | VATTENSVIVEL | 8070 0107 42 | 140 |
| | TACHOMETER KIT | VARVRÄKNARSATS | 3716 6061 91 | 141 |
| | PIPE EXTENSION (5M) | RÖRFÖRLÄNGNING | 3716 1214 00 | |
| | WIRE 5 L=425 M | | 3715 8839 00 | |
| | WIRE 4,75 L=600 M | | 3716 1421 00 | |
| | WASHER WS 18/0 | VATTENLEKA | 3716 6514 00 | |
| | WASHER WS 25/0 | VATTENLEKA | 3719 0014 59 | |
| | N CASING GUIDE 93mm | | 3719 00xx xx | |
| | BRACING DEVICE (SUPPORT JACKS) | | 3715 8765 97 | |
| DIMENSION REL. KITS | | | | |
| | Jaws & Guides | | xxxx xxxx xx | 142 |
| TOOL KIT, BASIC | | | | |
| | TOOLS | | 3719 0004 87 | 144 |
| | NO GREASE GUN (Included) | | 3716 6581 00 | |
| SIGN KIT | | | | |
| | GENERAL SIGNS SKID | | 3719 0012 02 | |

Diamec U4

Short feed, std positioner, high speed rotation

8314 0137 10



Diamec U4

Short feed, std positioner, high speed rotation

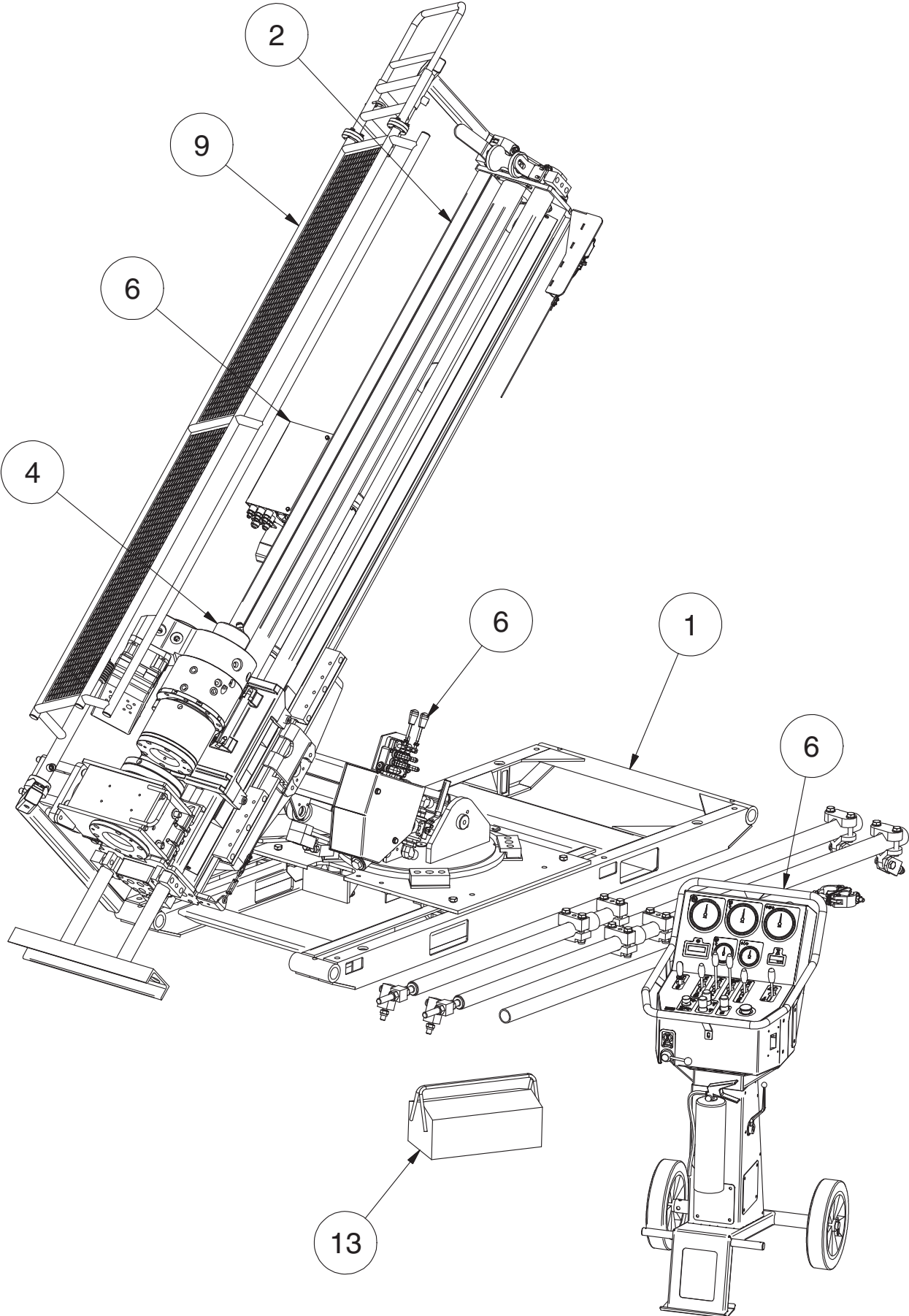
8314 0137 10

| Ref. No. | Part No. | Qty. | Description | Notes |
|----------|--------------|------|-----------------------------|--------------------------|
| 1 | 3719 0017 23 | | FEED SUPPORT COMPLETE | |
| 3 | 3719 0017 28 | | FEED FRAME COMPLETE | SHORT |
| 4 | 3719 0016 50 | | U4 ROTATION UNIT | |
| 6 | 3719 0017 05 | | CONTROL SYSTEM U4 | |
| 11 | 3719 0037 79 | | FEEDFRAME GUARD..... | SHORT, std rotation unit |
| 13 | 3719 0004 87 | | TOOL KIT, BASIC | |

Diamec U4

Long feed, std positioner, high speed rotation

8314 0137 00

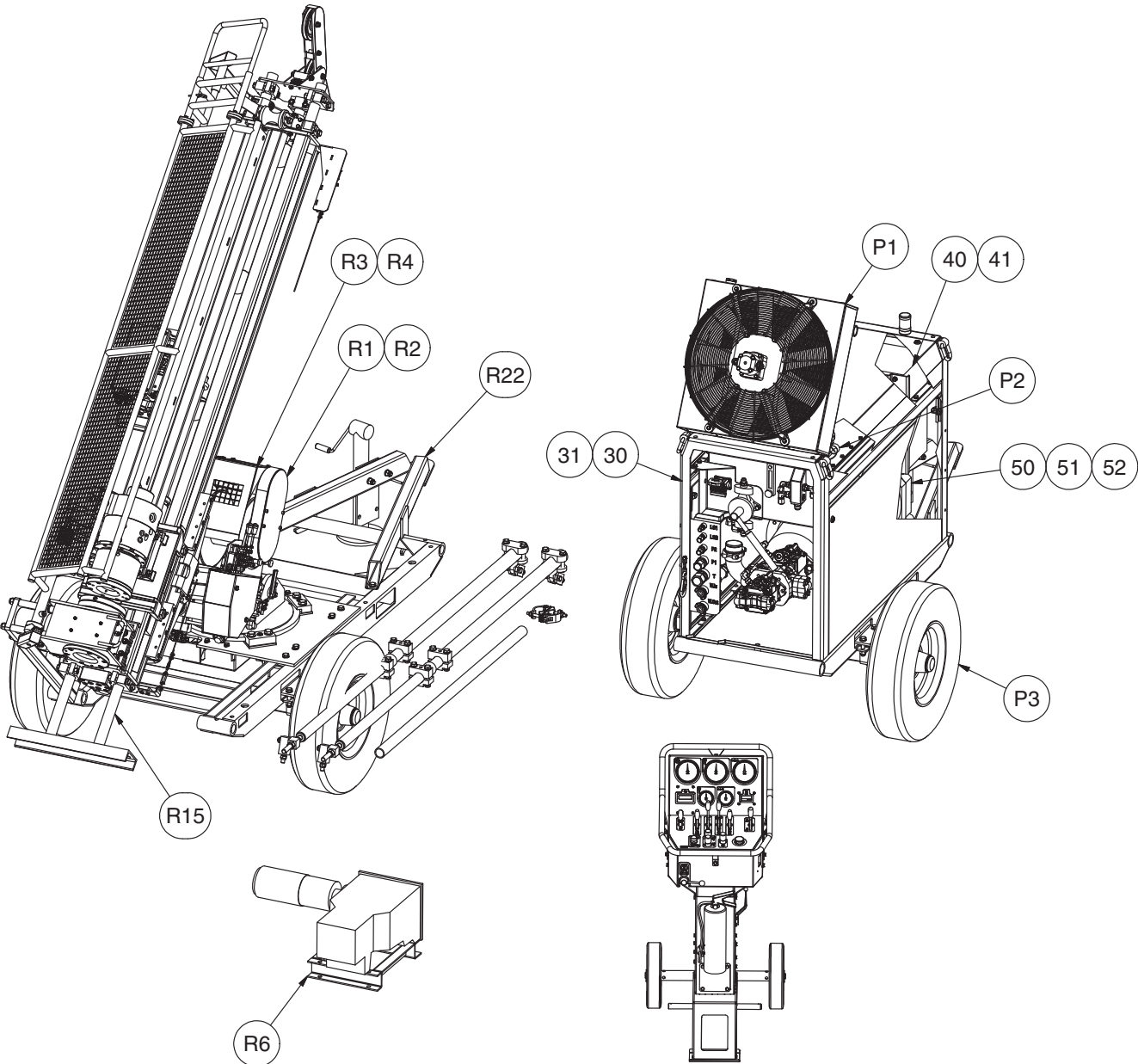


Diamec U4

Long feed, std positioner, high speed rotation

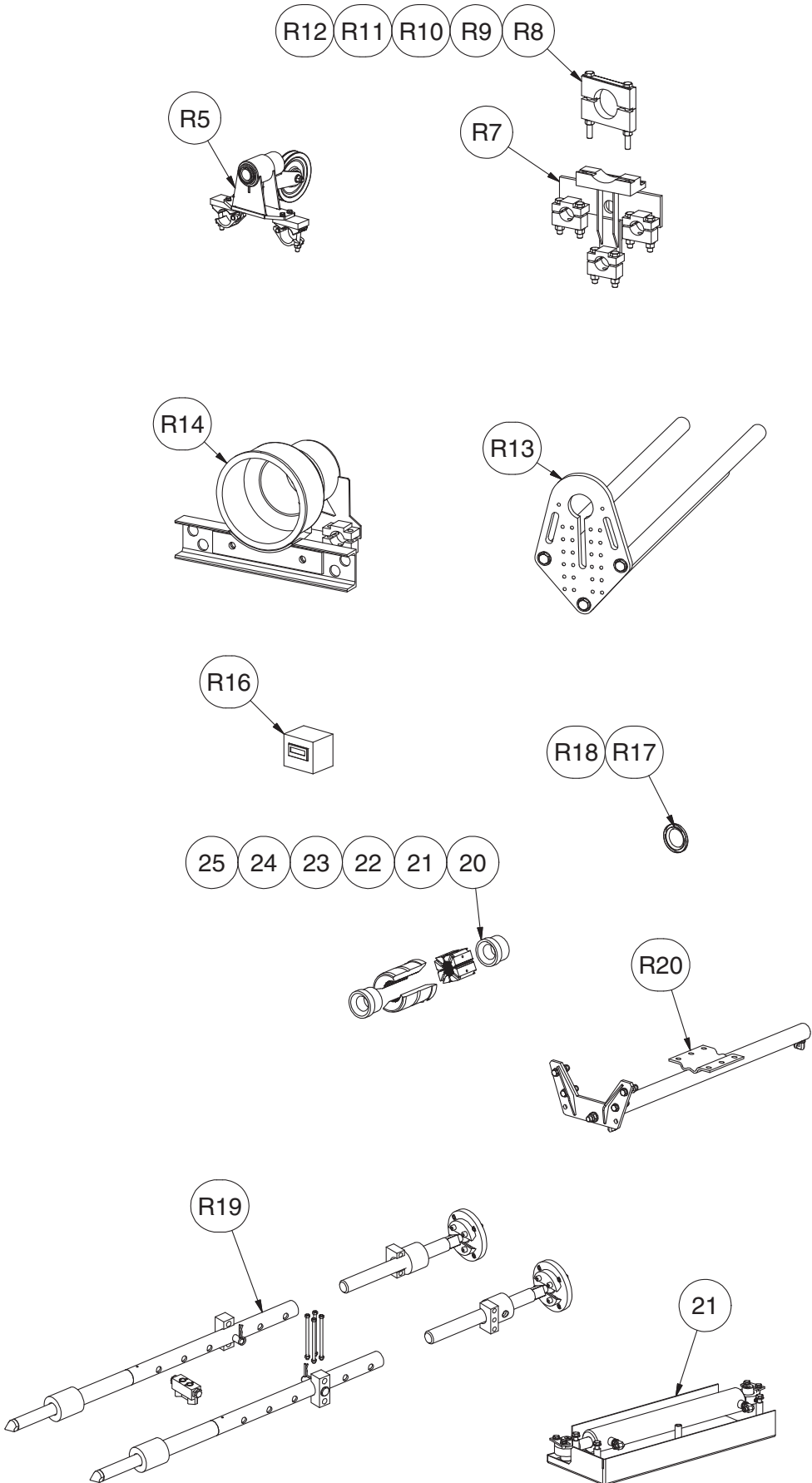
8314 0137 00

| Ref. No. | Part No. | Qty. | Description | Notes |
|----------|--------------|------|-----------------------------|-------------------------|
| 1 | 3719 0017 23 | | FEED SUPPORT COMPLETE | |
| 2 | 3719 0017 27 | | FEED FRAME COMPLETE | LONG |
| 4 | 3719 0016 50 | | U4 ROTATION UNIT | |
| 6 | 3719 0017 05 | | CONTROL SYSTEM U4 | |
| 9 | 3719 0037 77 | | FEEDFRAME GUARD..... | LONG, std rotation unit |
| 13 | 3719 0004 87 | | TOOL KIT, BASIC | |



3719 0041 90

| Ref. No. | Part No. | Qty. | Description | Notes |
|----------|--------------|------|--------------------------------|----------------------------|
| 30 | 3719 0016 11 | | PU 45E U4 DHC..... | |
| 31 | 3719 0041 61 | | PU 45E U4 APC..... | |
| 40 | 3719 0017 06 | | STARTER BOX | 45kW,380-690V |
| 41 | 3719 0039 24 | | STARTER BOX | 45kW,APC,CRWL |
| 43 | 3719 0039 46 | | APC BOX | U4-U8 380V-690V |
| 50 | 3719 0017 13 | | ELECTRICAL MOTOR | 45KW 400V 50HZ - 440V 60HZ |
| 51 | 3719 0018 76 | | ELECTRICAL MOTOR | 45KW 575V 60HZ |
| 52 | 3719 0039 53 | | ELECTRICAL MOTOR | 45KW 1000V |
| R1 | 3719 0018 28 | | WL WINCH 500M, LEVEL WINDER .. | |
| R2 | 3719 0018 33 | | WL WINCH 500M..... | |
| R3 | 3715 8839 00 | | WIRE | 5 L=425 M (EJ ARMERAD) |
| R4 | 3716 1421 00 | | WIRE | 4,75 L=600 M |
| R6 | 3716 5887 92 | | WP 80HU6, JIC..... | |
| R15 | 3716 1214 00 | | PIPE EXTENSION (5M) | |
| R22 | 3719 0041 71 | | WHEEL KIT | |
| P1 | 3719 0047 51 | | AIR/OIL COOLER KIT | |
| P2 | 3980 1168 01 | | OPTICAL FILTER INDICATOR..... | |
| P3 | 3719 0041 69 | | WHEEL KIT | PU45/55/75E |

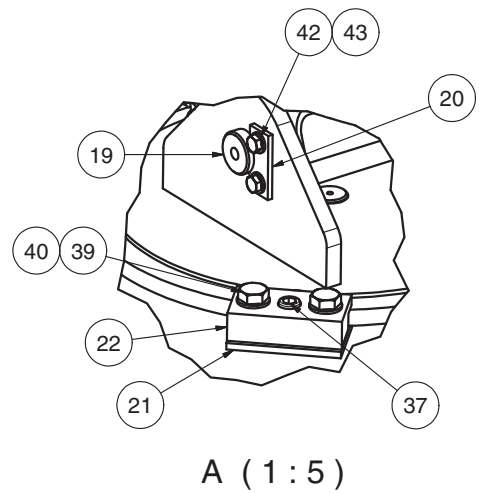
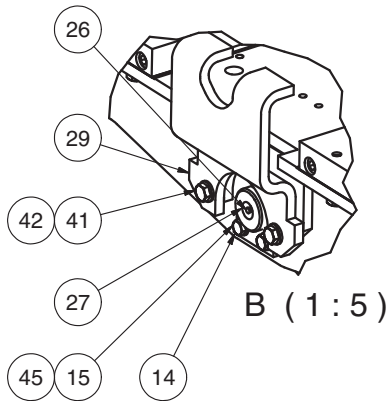
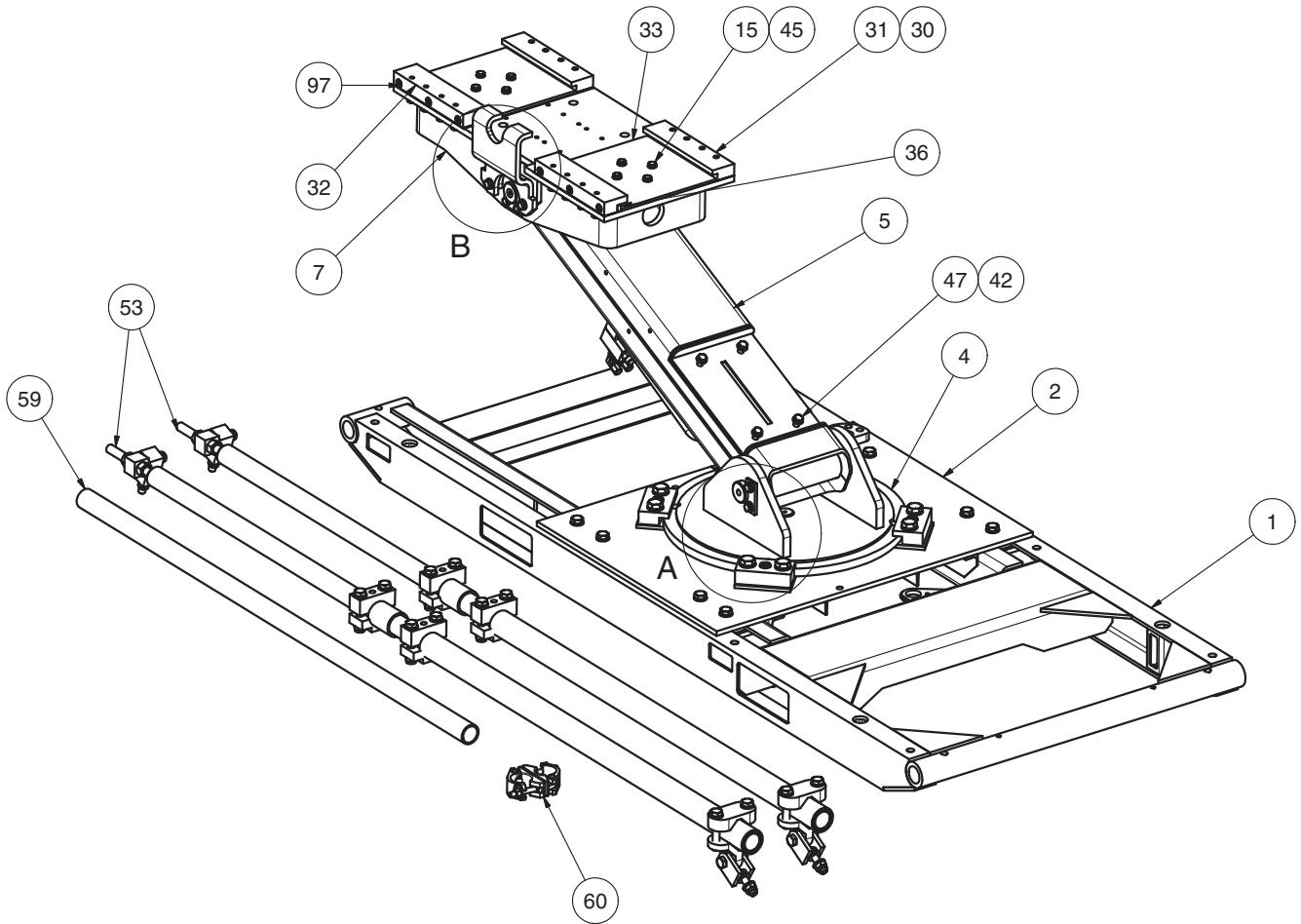


| Ref. No. | Part No. | Qty. | Description | Notes |
|----------|--------------|------|---------------------------------|---------------------|
| 20 | 3719 000X XX | | JAW & GUIDE KIT | 43mm, A-N ROT. UNIT |
| 21 | 3719 000X XX | | JAW & GUIDE KIT | 45mm, A-N ROT. UNIT |
| 22 | 3719 000X XX | | JAW & GUIDE KIT | 50mm, A-N ROT. UNIT |
| 23 | 3719 000X XX | | JAW & GUIDE KIT | 53mm, A-N ROT. UNIT |
| 24 | 3719 000X XX | | JAW & GUIDE KIT | 55mm, A-N ROT. UNIT |
| 25 | 3719 000X XX | | JAW & GUIDE KIT | 70mm, A-N ROT. UNIT |
| R5 | 3719 0017 71 | | W/L SHEAVE FOR STEEP UPHOLE .. | |
| R7 | 3719 0041 58 | | CASING CLAMP | |
| R8 | 3719 0036 41 | | N CASING GUIDE | 47 mm |
| R9 | 3719 0006 33 | | N CASING GUIDE | 58 mm |
| R10 | 3719 0036 42 | | N CASING GUIDE | 77 mm |
| R11 | 3719 0026 95 | | N CASING GUIDE | 93mm |
| R12 | 3719 0011 91 | | N CASING GUIDE | 119 mm |
| R13 | 3719 0017 77 | | WALL BRACKET, KEY HOLE A-N ROT. | |
| R14 | 3719 0041 85 | | WATER COLLECTOR KIT U4..... | |
| R16 | 3716 6061 91 | | TACHOMETER KIT | |
| R17 | 3716 6514 00 | | WASHER WS 18/0..... | |
| R18 | 3719 0014 59 | | WASHER WS 25/0..... | |
| R19 | 3715 8765 97 | | BRACING DEVICE (SUPPORT JACKS) | |
| R20 | 3719 0018 35 | | U4 FEED DUMP CYLINDER KIT | |

Skid

Mashinenschlitten / Slädräm / Patin / Chasis / Sostegno / Estrutura de suporte

3719 0017 23



Skid

Mashinenschlitten / Slådrum / Patin / Chasis / Sostegno / Estrutura de suporte

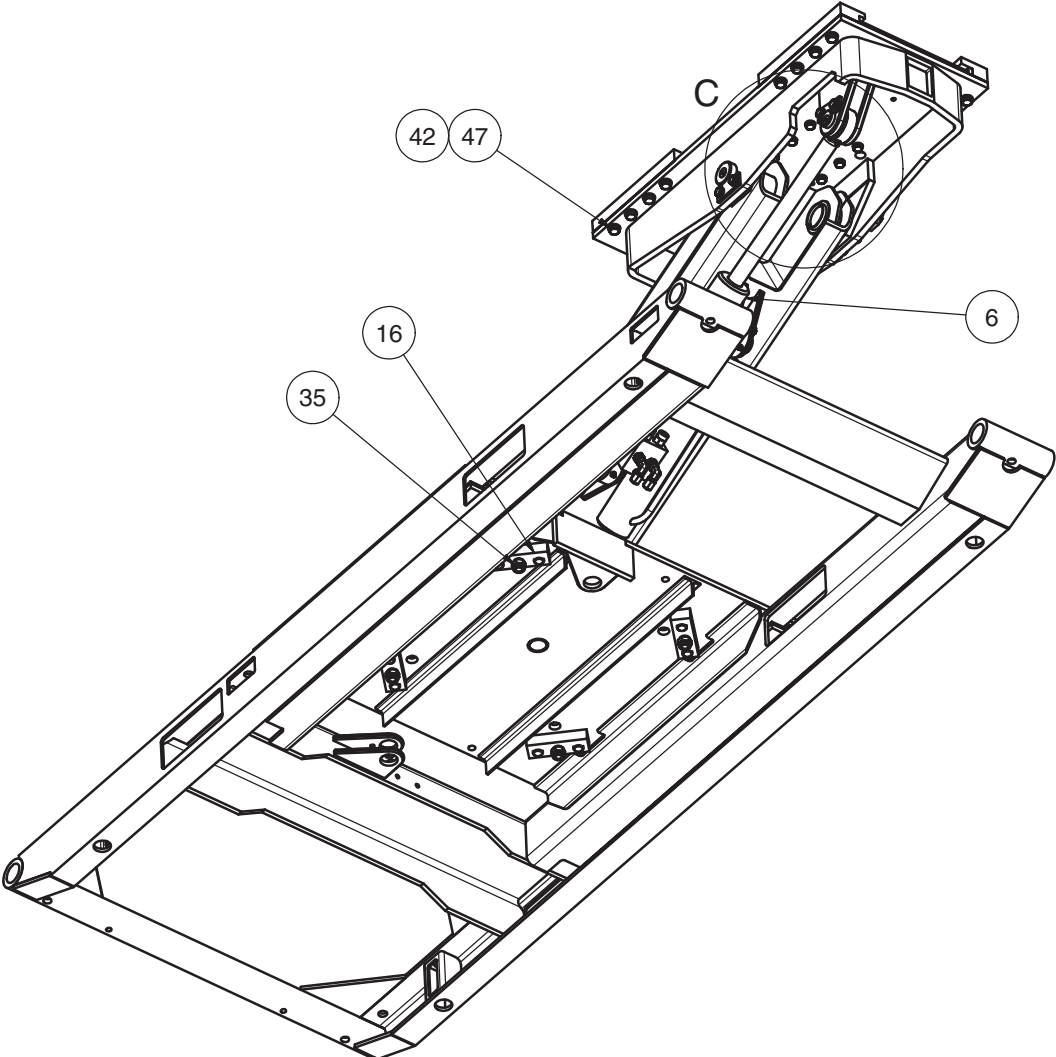
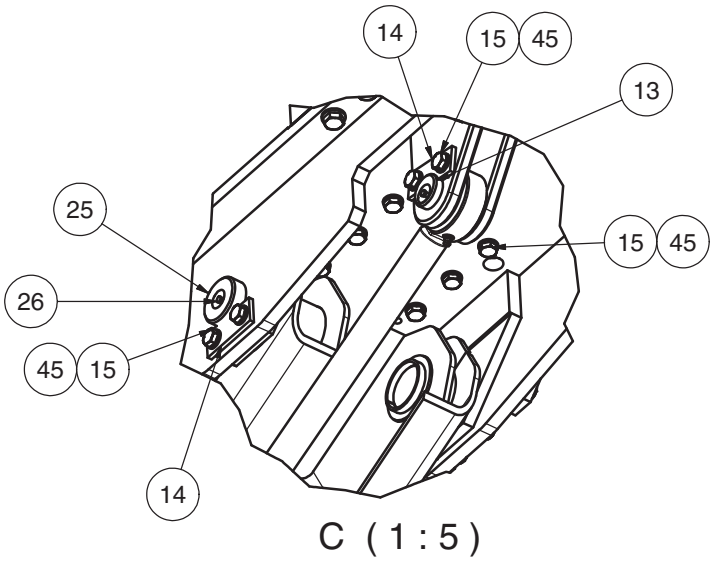
3719 0017 23

| Ref. No. | Part No. | Qty. | Description | Notes |
|----------|--------------|------|-------------------------|----------------------------|
| 1 | 3719 0016 13 | 1 | SKID | |
| 2 | 3719 0016 14 | 1 | TURNTABLE..... | |
| 4 | 3719 0017 37 | 1 | BASEPLATE | |
| 5 | 3719 0016 04 | 1 | POSITIONER..... | |
| 6 | 3719 0000 47 | 2 | HYDRAULIC CYLINDER..... | |
| 7 | 3719 0016 12 | 1 | FEED FRAME HOLDER | |
| 14 | 9110 4756 00 | 8 | SECURING PLATE..... | |
| 15 | 0147 1359 03 | 22 | SCREW | M6S 10 x 16 8.8 FZB |
| 19 | 3719 0017 17 | 1 | SHAFT..... | |
| 20 | 3217 6359 00 | 1 | SECURING PLATE..... | |
| 21 | 3719 0002 13 | 4 | SPACER | |
| 22 | 3719 0002 11 | 4 | CLAMP | |
| 26 | 0544 1100 12 | 7 | LUB. NIPPLE..... | H1 M10 X 1 |
| 27 | 3719 0016 88 | 1 | SHAFT SHORT | |
| 29 | 3719 0016 98 | 1 | DUMP BRACKET | |
| 30 | 3719 0000 74 | 8 | SHIM | |
| 31 | 3719 0000 72 | 2 | CLAMP | |
| 32 | 3719 0000 71 | 2 | CLAMP | |
| 33 | 3719 0000 75 | 2 | LINER | |
| 36 | 3719 0000 73 | 2 | KEY..... | |
| 37 | 0211 1487 03 | 4 | CAP SCREW..... | M16x90 MC6S16 x 90-8.8 FZB |
| 39 | 0147 1559 03 | 8 | SCREW..... | M6S 20 x 90 |
| 40 | 0300 0274 13 | 8 | PLAIN WASHER..... | BRB 21 x 37 x 3 ISO 7089 |
| 41 | 0147 1401 03 | 2 | SCREW | M6S 12 x 30 |
| 42 | 0301 2358 00 | 24 | WASHER | BRB 13 x 24 x 2.5 |
| 43 | 0147 1400 03 | 2 | SCREW | M6S 12 x 25 |
| 45 | 0301 2344 00 | 22 | WASHER..... | BRB 10.5 x 20 x 2 |
| 47 | 0147 1961 01 | 20 | SCREW | M12x50 |
| 53 | 3719 0002 19 | 2 | BACK STAY LEG | |
| 59 | 3719 0004 45 | 1 | PIPE EXTENSION..... | (1,5M) |
| 60 | 3715 3496 00 | 1 | CLAMP | VARIABEL ANGLE 49 x 49 |

Skid

Mashinenschlitten / Slädram / Patin / Chasis / Sostegno / Estrutura de suporte

3719 0017 23



Skid

Mashinenschlitten / Släddram / Patin / Chasis / Sostegno / Estrutura de suporte

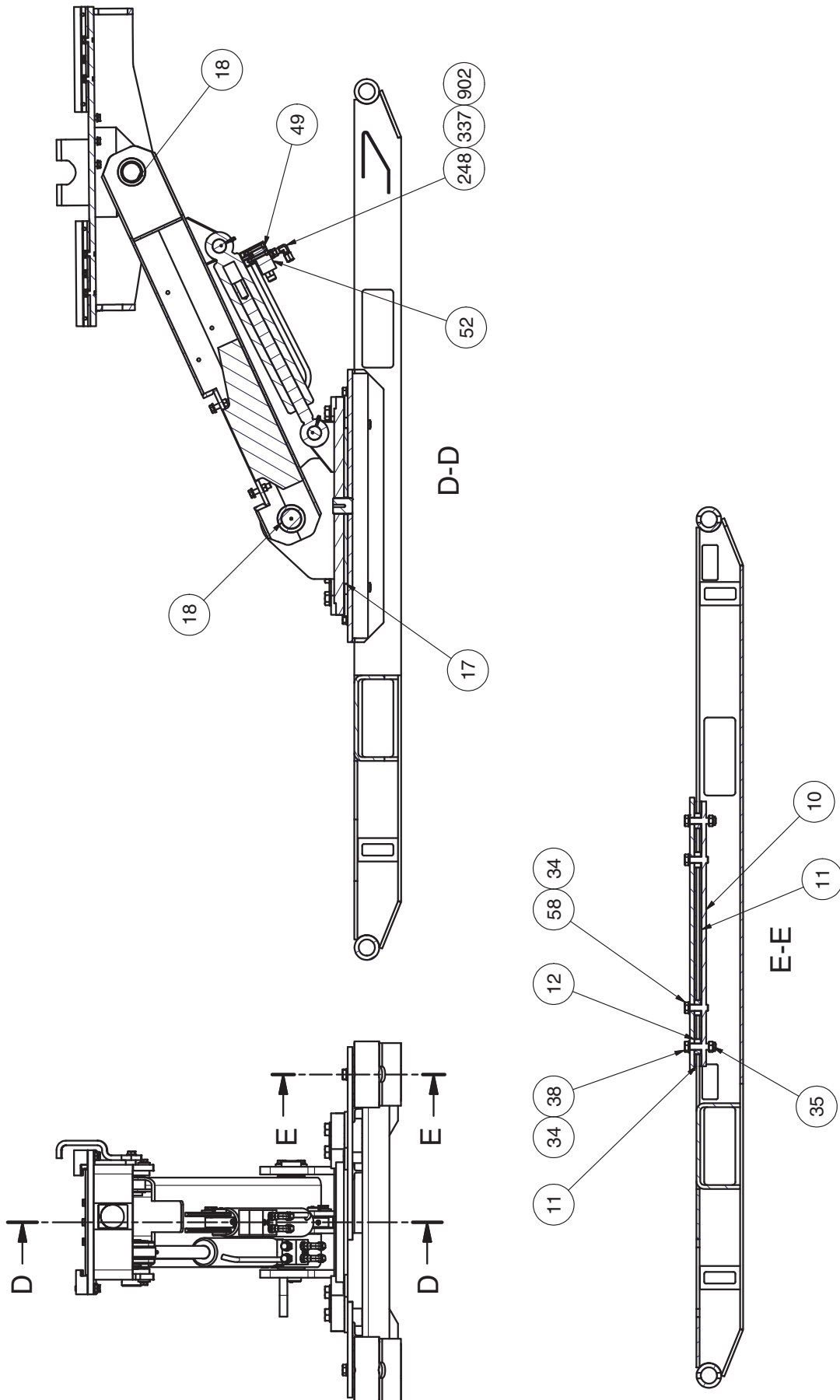
3719 0017 23

| Ref. No. | Part No. | Qty. | Description | Notes |
|----------|--------------|------|--------------------------|---------------------|
| 6 | 3719 0000 47 | 2 | HYDRAULIC CYLINDER | (B) |
| 13 | 3719 0017 14 | 4 | PIN | |
| 14 | 9110 4756 00 | 8 | SECURING PLATE | |
| 15 | 0147 1359 03 | 22 | SCREW | M6S 10 x 16 8.8 FZB |
| 16 | 3719 0002 14 | 4 | TAPPED PLATE | |
| 25 | 3719 0016 89 | 1 | SHAFT LONG | |
| 26 | 0544 1100 12 | 7 | LUB. NIPPLE | H1 M10 X 1 |
| 35 | 0291 1114 00 | 8 | LOCK NUT | M16 LM6M DIN 985-6 |
| 42 | 0301 2358 00 | 24 | WASHER | BRB 13 x 24 x 2.5 |
| 45 | 0301 2344 00 | 22 | WASHER | BRB 10.5 x 20 x 2 |
| 47 | 0147 1961 01 | 20 | SCREW | M12x50 |

Skid

Mashinenschlitten / Slädräm / Patin / Chasis / Sostegno / Estrutura de suporte

3719 0017 23



Skid

Mashinenschlitten / Slädram / Patin / Chasis / Sostegno / Estrutura de suporte

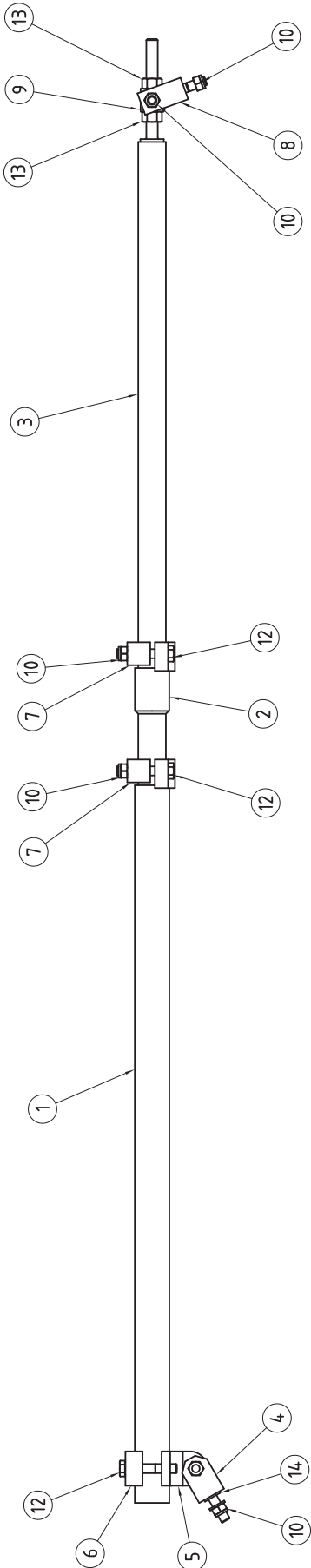
3719 0017 23

| Ref. No. | Part No. | Qty. | Description | Notes |
|----------|--------------|------|------------------------------|--------------------------|
| 10 | 3719 0016 15 | 2 | LOCKING PLATE..... | |
| 11 | 3719 0016 16 | 4 | WEAR PLATE..... | |
| 12 | 3719 0016 18 | 8 | GUIDE WHEEL..... | |
| 17 | 3719 0002 12 | 1 | LINER..... | |
| 18 | 0500 4500 33 | 4 | RADIAL BEARING FLANGE..... | |
| 34 | 0301 2178 01 | 9 | WASHER..... | BRB 17 x 30 x 3 |
| 35 | 0291 1114 00 | 8 | LOCK NUT..... | M16 LM6M DIN 985-6 |
| 38 | 0147 1962 19 | 4 | SCREW..... | M16x70 M6S 16x70 8.8 FZB |
| 49 | 0211 1252 03 | 4 | CAP SCREW..... | MC6S 6 x 40 8.8 |
| 52 | 3719 0004 73 | 2 | VALVEBLOCK, DUAL CB ALU..... | (B) |
| 58 | 0147 1479 03 | 4 | SCREW..... | M6S 16 x 50 |
| 248 | 3715 0584 00 | 4 | ELBOW..... | UN 9/16xUN 9/16 |
| 337 | 3176 6348 00 | 4 | NIPPLE..... | UN 9/16 x R 1/4 |
| 902 | 3176 5429 00 | 4 | CAP..... | UN 9/16"-18 |

Back stay leg

Stütze / Stag / Vérin de stabilisation / Tirante / Suporte / Sostegno

3719 0002 19



Back stay leg

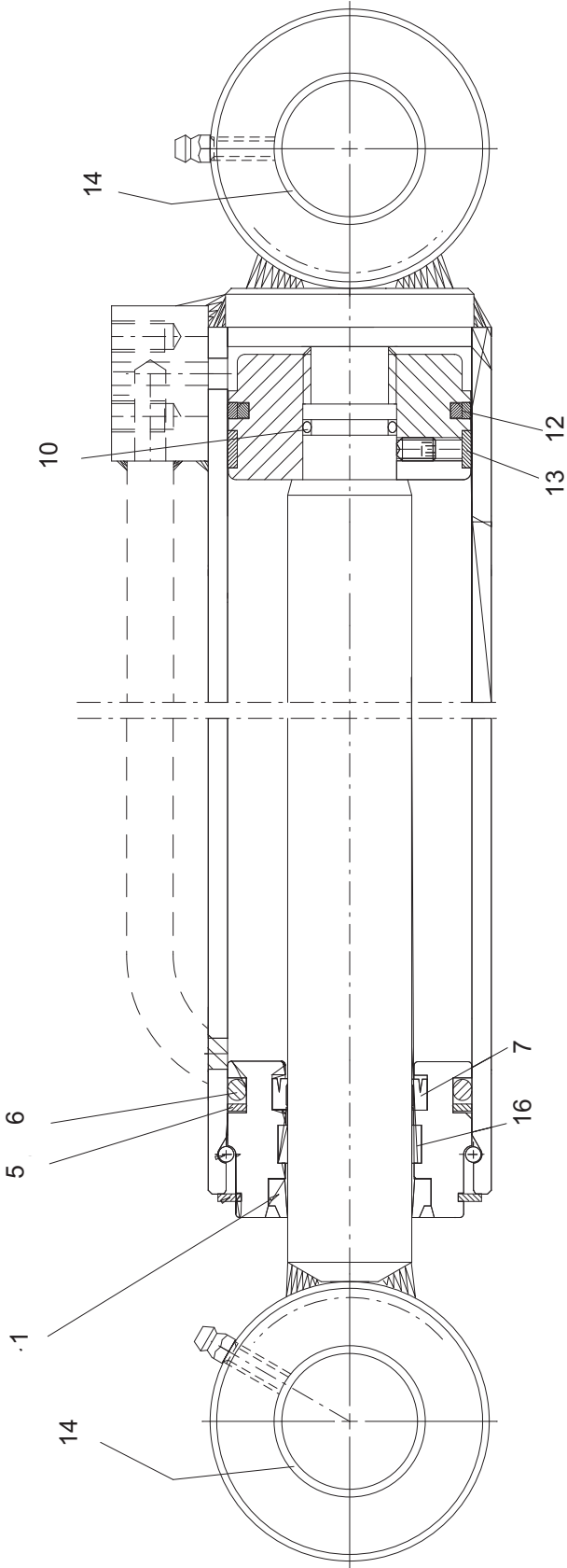
Stütze / Stag / Vérin de stabilisation / Tirante / Suporte / Sostegno

3719 0002 19

| Ref. No. | Part No. | Qty. | Description | Notes |
|----------|--------------|------|-------------------|------------------------|
| 1 | 3719 0002 20 | 1 | STAY | |
| 2 | 3719 0002 21 | 1 | STAY | |
| 3 | 3715 6980 00 | 1 | STAY | |
| 4 | 3715 3469 00 | 1 | FORK | |
| 5 | 3715 6086 00 | 1 | CLAMP | |
| 6 | 3715 6165 00 | 1 | CLAMP | |
| 7 | 3719 0002 05 | 2 | CLAMP | |
| 8 | 3715 6983 00 | 1 | LEG SUPPORT | |
| 9 | 3715 6985 00 | 1 | LEG SUPPORT | |
| 10 | 0291 1114 00 | 8 | LOCK NUT | M16 LM6M DIN 985-6 FZB |
| 11 | 0147 1481 03 | 1 | SCREW | M6S 16 x 60 |
| 12 | 0147 1487 03 | 6 | SCREW | M6S 16 x 90 |
| 13 | 0266 2116 00 | 2 | HEX. NUT | M6M M20 |
| 14 | 0301 2187 00 | 4 | WASHER | BRB 17 x 30 |

Hydraulic cylinder

Hydraulikzylinder / Hydraulcylinder / Vérin hydraulique / Cilindro hidráulico / Cilindro de spinta / Cilindro de avanço



Hydraulic cylinder

Hydraulikzylinder / Hydraulcylinder / Vérin hydraulique / Cilindro hidráulico / Cilindro de spinta / Cilindro de avanco

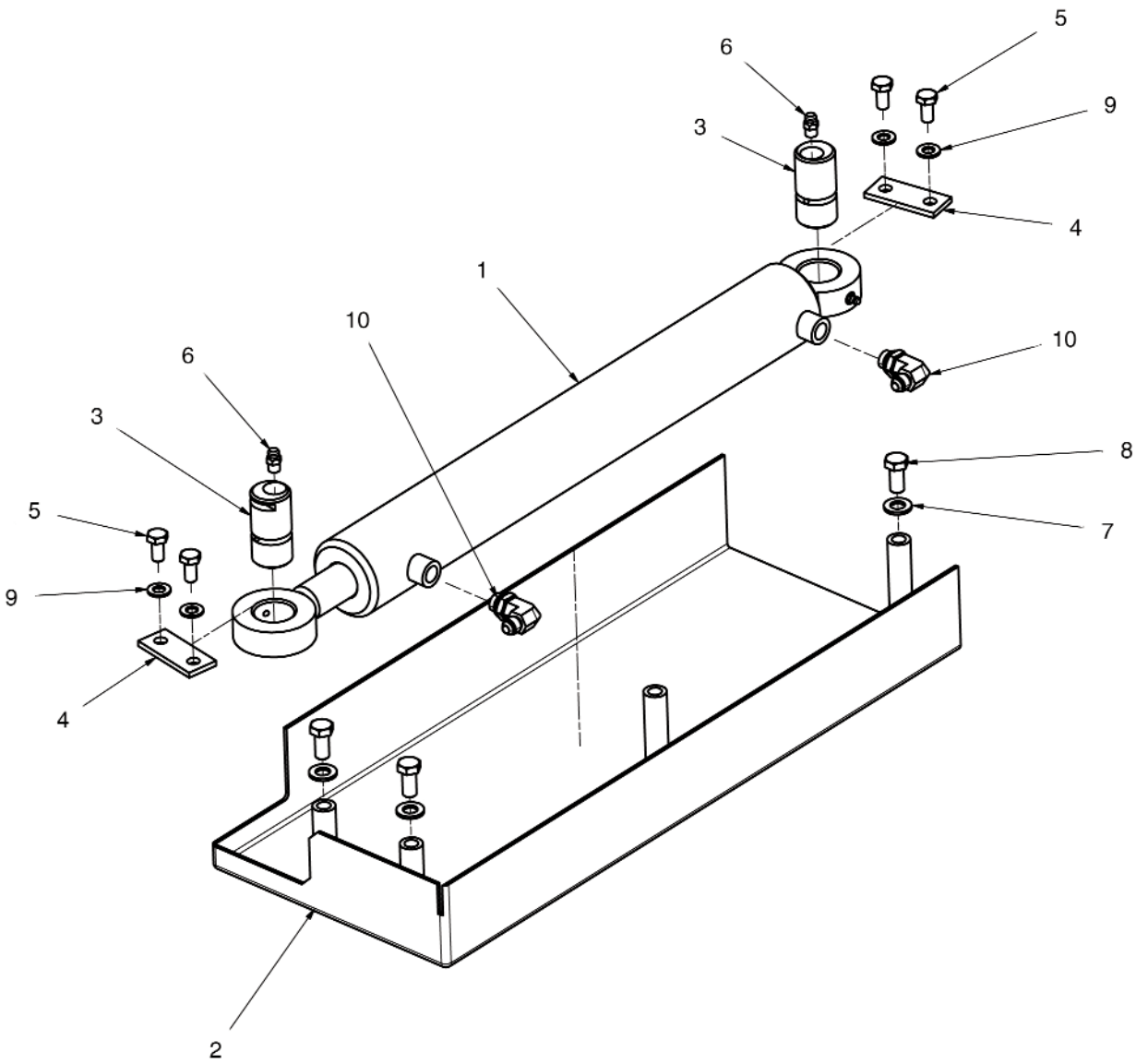
| Ref. No | Part Number | Qty. | Description | Notes |
|---------|---------------------|------|--|-------------------|
| - | 3719 0000 47 | | HYDRAULIC CYLINDER COMPLETE... | |
| - | 3719 0003 76 | | PACKING KIT, HYDRAULIC CYLINDER (B) | |
| - | 3719 0004 73 | | VALVE, COUNTER BALANCE BLOCK. | |
| - | 3719 0005 81 | 2 | VALVE, CB CARTRIDGE | |
| - | 0663 9050 00 | 2 | O-RING | 9.25 x 1.78 70 GR |
| - | 3719 0013 76 | 1 | PACKING KIT..... | |
| 1 | - | 1 | WIPER | 32 / 42 x 7 x 10 |
| 5 | - | 1 | SUPPORT RING | 53 / 63 x 1.7 |
| 6 | - | 1 | O-RING..... | 52.2 x 5.7 |
| 7 | - | 1 | PISTON SEAL | 32 / 40 x 9 |
| 10 | - | 1 | O-RING..... | 19.2 x 3.0 |
| 12 | - | 1 | PISTON ROD | 63 / 52 x 4.2 |
| 13 | - | 1 | SUPPORT RING | 63 / 58 x 9.7 |
| 14 | - | 2 | BUSHING..... | 35 / 39 x 25 |
| 16 | - | 1 | SUPPORT RING | 32 / 36 x 9.6 |
| - | - | 1 | LOCTITE..... | |

Skid dump cylinder kit

Optional equipment

Hydraulikzylinder / Hydraulcylinder / Vérin hydraulique / Cilindro hidráulico / Cilindro de spinta / Cilindro de avance

3719 0018 36



Skid dump cylinder kit

Optional equipment

Hydraulikzylinder / Hydraulcylinder / Vérin hydraulique / Cilindro hidráulico / Cilindro de spinta / Cilindro de avanco

3719 0018 36

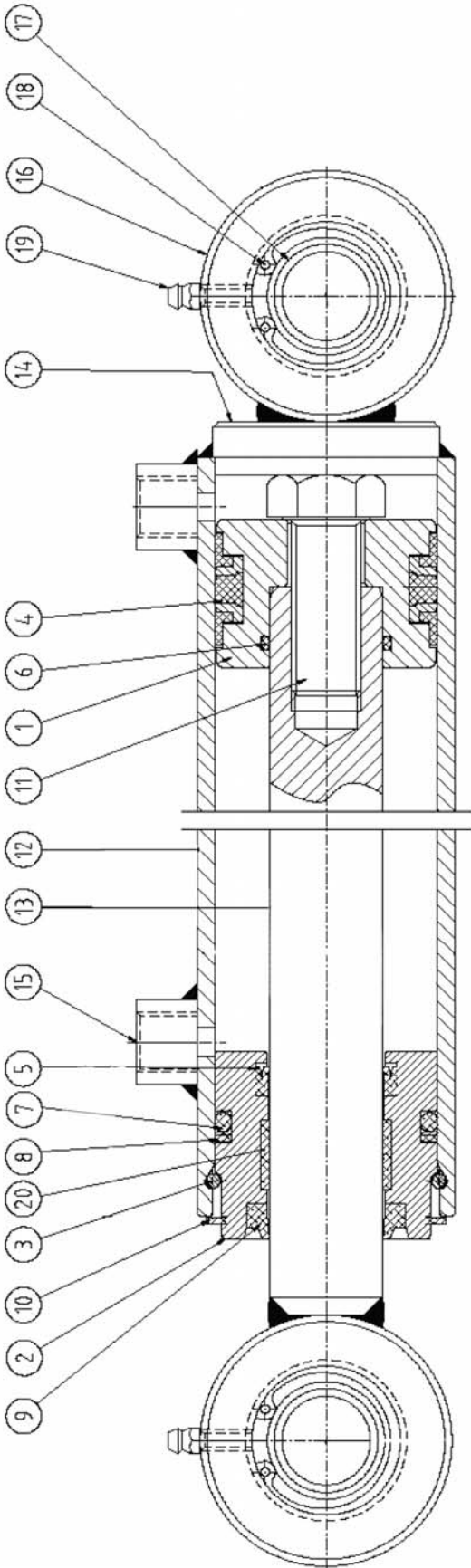
| Ref. No | Part Number | Qty. | Description | Notes |
|---------|--------------|------|--------------------------|-------------------|
| 1 | 3719 0005 94 | 1 | HYDRAULIC CYLINDER | (B) |
| 2 | 3719 0017 45 | 1 | CYLINDER COVER | |
| 3 | 3719 0017 14 | 2 | PIN..... | |
| 4 | 9110 4756 00 | 2 | SECURING PLATE | |
| 5 | 0147 1360 03 | 4 | SCREW | M6S 10 x 20 |
| 6 | 0544 1100 12 | 2 | LUB. NIPPLE..... | H1 M10 X 1 |
| 7 | 0301 2358 00 | 3 | WASHER..... | BRB 13 x 24 x 2.5 |
| 8 | 0147 1400 03 | 3 | SCREW | M6S 12 x 25 |
| 9 | 0301 2344 00 | 4 | WASHER..... | BRB 10.5 x 20 x 2 |
| 10 | 3176 6352 00 | 2 | ELBOW | R 3/8" x UN 9/16" |

Dump cylinder

Optional equipment

Hydraulikzylinder / Hydraulcylinder / Vérin hydraulique / Cilindro hidráulico / Cilindro de spinta / Cilindro de avance

3719 0005 94



Dump cylinder

Optional equipment

Hydraulikzylinder / Hydraulcylinder / Vérin hydraulique / Cilindro hidráulico / Cilindro de spinta / Cilindro de avanço

3719 0005 94

| Ref. No | Part Number | Qty. | Description | Notes |
|---------|--------------|------|--------------------------|------------|
| 1 | 3719 0005 94 | 1 | HYDRAULIC CYLINDER | (B) |
| | 3719 0014 87 | 1 | PACKING KIT..... | |
| 4 | - | 1 | PISTON SEAL..... | 63/47X19,4 |
| 5 | - | 1 | PISTON SEAL..... | 32/40X9 |
| 6 | - | 1 | O-RING..... | 32,2X3,0 |
| 7 | - | 1 | O-RING..... | 52,2X5,7 |
| 8 | - | 1 | SUPPORT RING | 53/63X1,7 |
| 9 | - | 1 | SCRAPER..... | 32/45X7X10 |
| 20 | - | 1 | GUIDE RING | 32/36X20 |
| - | - | 1 | LOCTITE..... | |

Feed dump cylinder kit

Hydraulikzylinder / Hydraulcylinder / Vérin hydraulique / Cilindro hidráulico / Cilindro de spinta / Cilindro de avanço

3719 0018 35

| Ref. No | Part Number | Qty. | Description | Notes |
|---------|--------------|------|---------------------|--------------------|
| 1 | 3719 0017 03 | 1 | BRACKET | |
| 2 | 3719 0017 24 | 1 | DUMP CYLINDER | (B) |
| 3 | 0301 2358 00 | 4 | WASHER | BRB 13 x 24 x 2.5 |
| 4 | 0147 1406 03 | 4 | SCREW..... | M6S 12 x 55 |
| 5 | 0291 1128 22 | 4 | LOCK NUT | M12 |
| 6 | 3176 6351 00 | 2 | ELBOW..... | R 1/4 x UN 9/16-18 |
| 7 | 0301 2178 01 | 1 | WASHER..... | BRB 17 x 30 x 3 |
| 8 | 0291 1128 25 | 1 | LOCK NUT | M16 FZB |

Feed dump cylinder

Hydraulikzylinder / Hydraulcylinder / Vérin hydraulique / Cilindro hidráulico / Cilindro de spinta / Cilindro de avanço

3719 0017 24

Feed dump cylinder

Hydraulikzylinder / Hydraulcylinder / Vérin hydraulique / Cilindro hidráulico / Cilindro de spinta / Cilindro de avanco

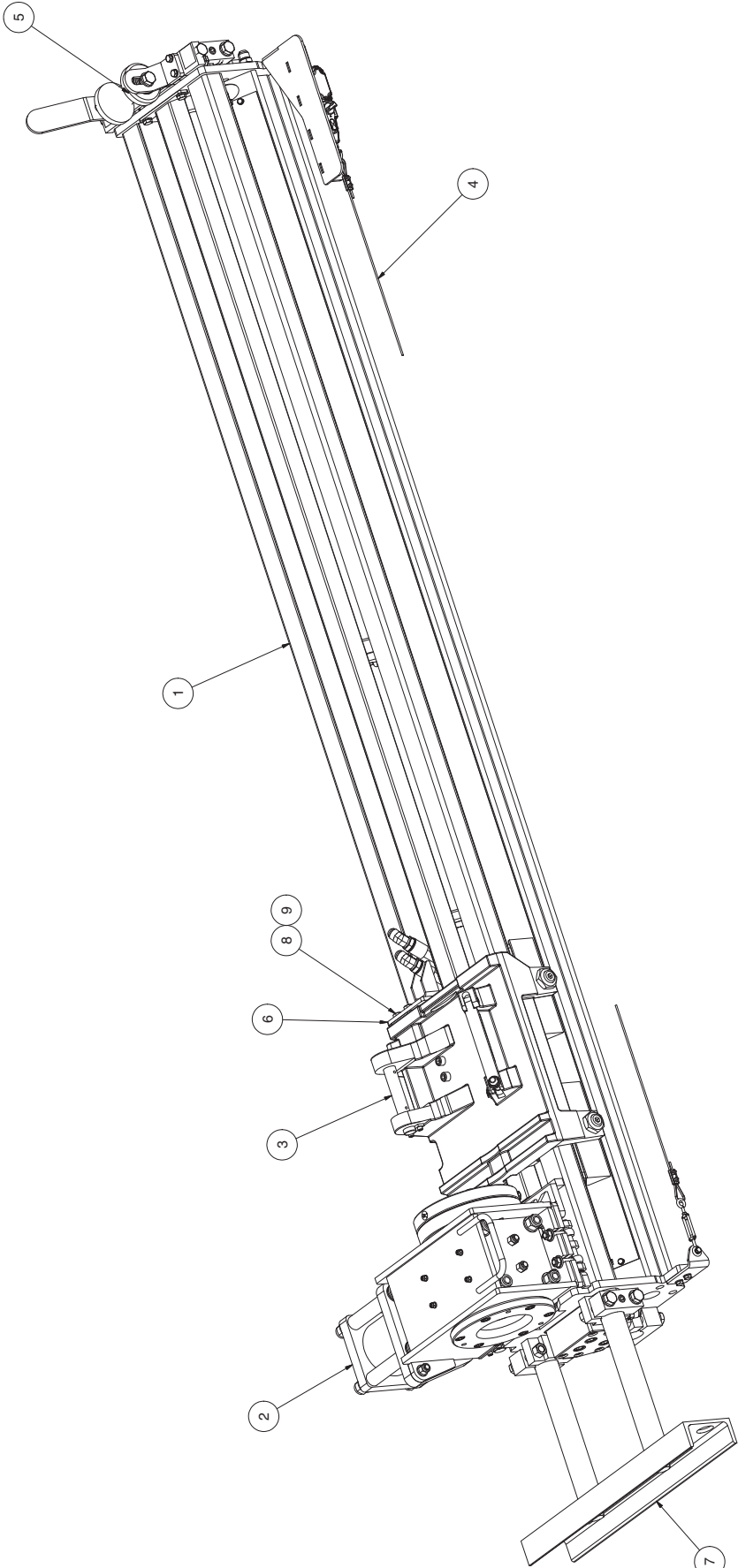
3719 0017 24

| Ref. No | Part Number | Qty. | Description | Notes |
|---------|-------------|------|-------------|-------|
|---------|-------------|------|-------------|-------|

Feed frame complete, long

Vorschubrahmen / Matarram / Châssis de glissière / Bastidor de avance / Slitta / Calha de perfuração

3719 0017 27



Feed frame complete, long

Vorschubrahmen / Matarram / Châssis de glissière / Bastidor de avance / Slitta / Calha de perfuração

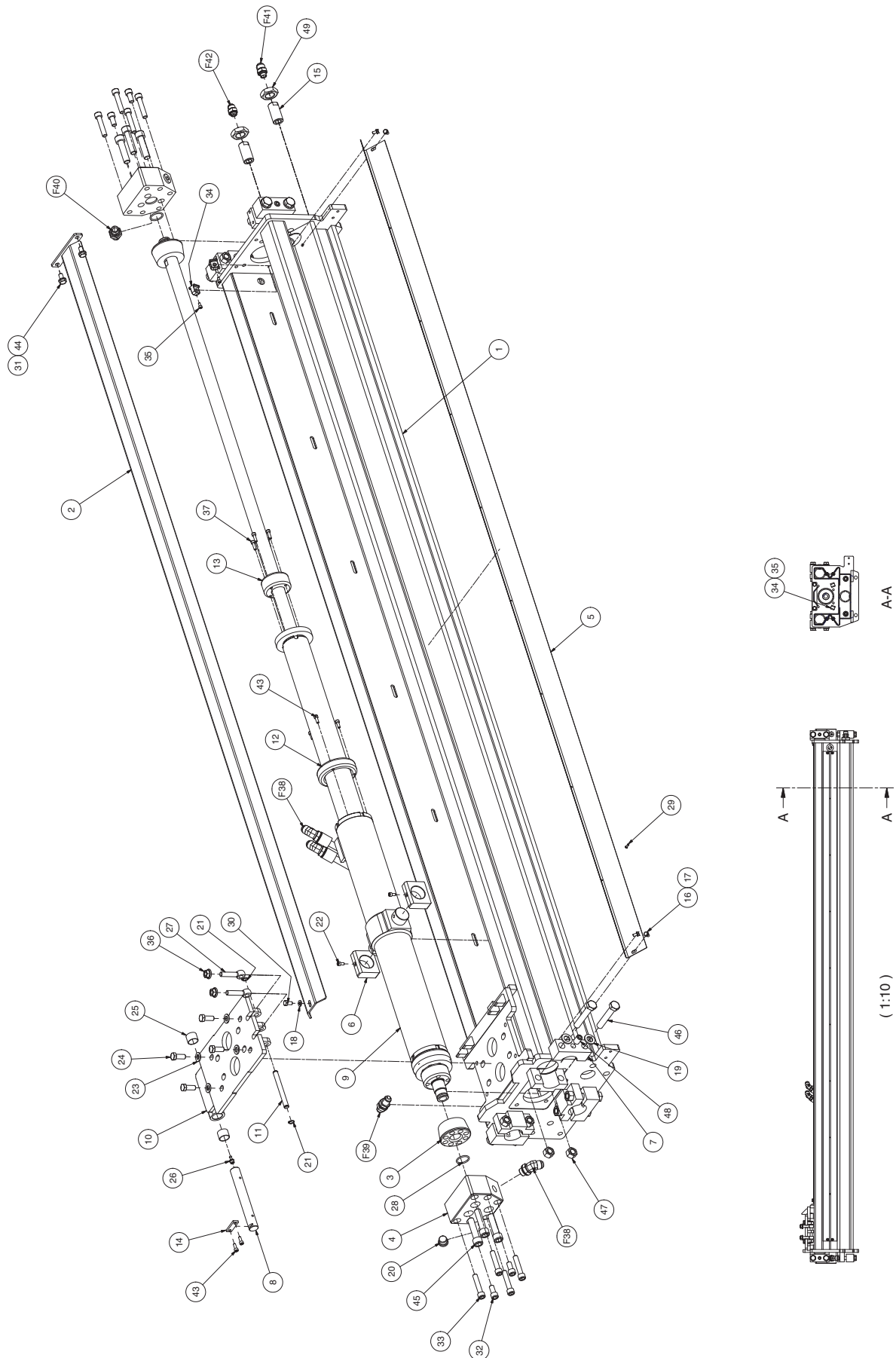
3719 0017 27

| Ref. No | Part Number | Qty. | Description | Notes |
|---------|--------------|------|-------------------------------|---------------------------------|
| | 850 mm | | | |
| 1 | 3719 0016 39 | 1 | FEED FRAME ASSEMBLY LONG..... | (B) |
| 2 | 3719 0016 86 | 1 | ROD HOLDER ASSEMBLY | (B) |
| 3 | 3719 0016 95 | 1 | CRADLE ASSEMBLY | (B) |
| 4 | 3719 0019 61 | 1 | E-STOP KIT | (B) |
| 5 | 3719 0017 20 | 1 | ROD PULLEY | (B) |
| 6 | 3719 0017 54 | 1 | SUPPORT BRACKET | |
| 7 | 3719 0017 44 | 1 | WALL BRACKET ASSEMBLY | (B) |
| 8 | 0147 1362 03 | 2 | SCREW..... | M10x25 FZB M6S 10 x 25 ISO 4017 |
| 9 | 0301 2344 00 | 2 | WASHER..... | BRB 10.5 x 20 x 2 |

Feed frame 1800 mm

Vorschubrahmen / Matarram / Châssis de glissière / Bastidor de avance / Slitta / Calha de perfuração

3719 0016 39



Feed frame 1800 mm

Vorschubrahmen / Matarram / Châssis de glissière / Bastidor de avance / Slitta / Calha de perfuração

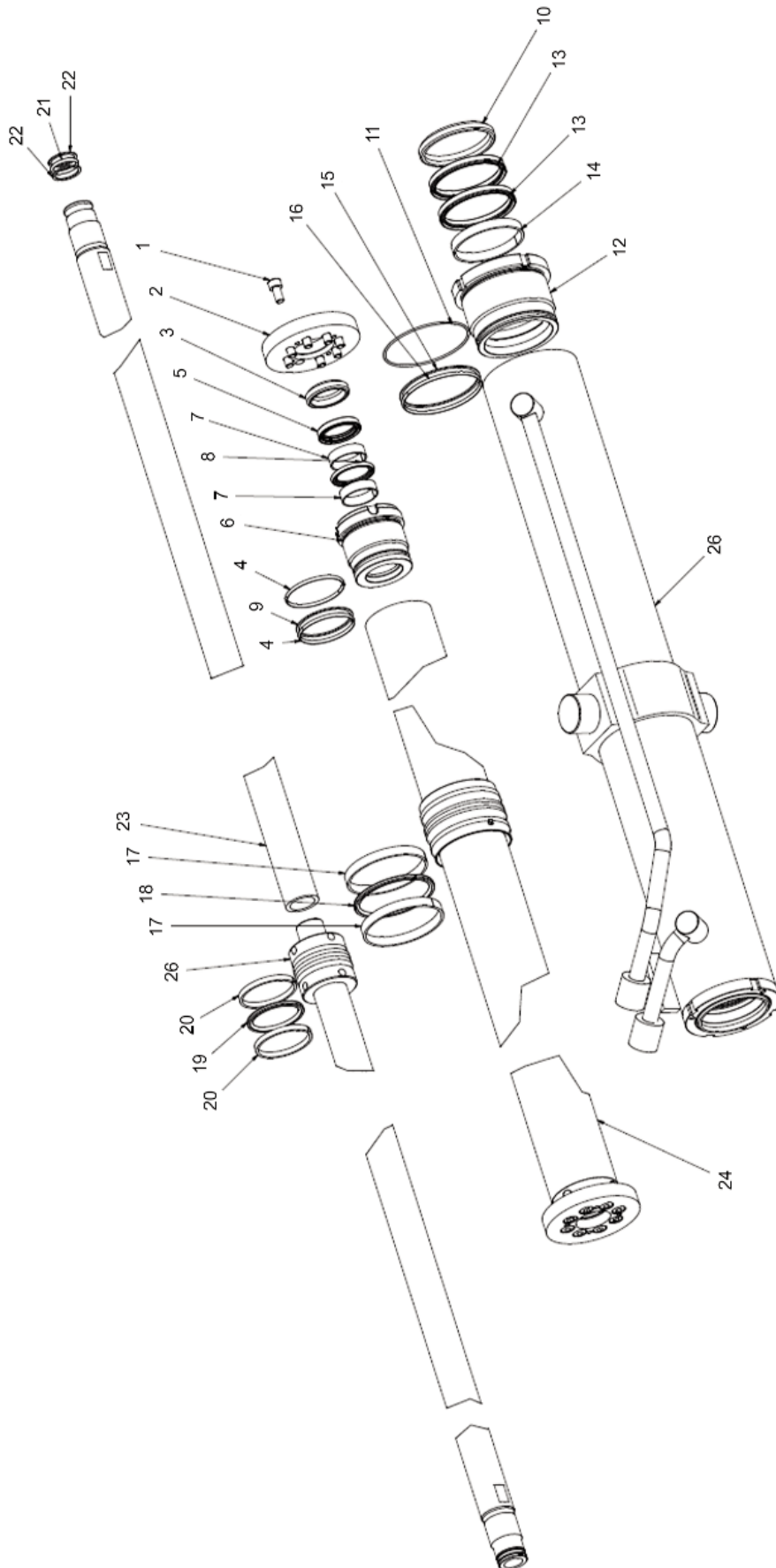
3719 0016 39

| Ref. No | Part Number | Qty. | Description | Notes |
|---------|--------------|------|---------------------------------|-----------------------------------|
| | 1800 mm | | | |
| - | 3719 0047 59 | 1 | INTERNAL HOSE KIT U4 LONG | |
| F38 | 3176 6554 00 | 3 | ELBOW..... | 45GRA. UN 7/8 x R 1/2 |
| F39 | 3176 6497 00 | 1 | FITTING..... | 3/4" |
| F40 | 3176 6515 00 | 1 | NIPPLE | UN 7/8 x R 1/2 |
| F41 | 3176 6514 00 | 1 | NIPPLE | R 3/8 x UN 7/8 |
| F42 | 3176 6512 00 | 1 | NIPPLE | R 3/8 - UN 3/4 |
| 1 | 3719 0016 40 | 1 | FEED BEAM LONG | |
| 2 | 3719 0016 43 | 1 | FEED CYLINDER COVER, LONG | |
| 3 | 3719 0016 44 | 2 | LOCK NUT | |
| 4 | 3719 0016 45 | 2 | END PLATE..... | |
| 5 | 3719 0016 46 | 2 | WEAR LINER LONG | |
| 6 | 3719 0000 27 | 2 | TRUNNION BLOCK | |
| 7 | 3719 0002 05 | 6 | CLAMP | |
| 8 | 3719 0016 49 | 1 | PIN | |
| 9 | 3719 0016 35 | 1 | FEED CYLINDER U4..... | 1749 mm (B) |
| 10 | 3719 0016 47 | 1 | ROD HOLDER BRACKET | |
| 11 | 3719 0016 80 | 1 | PIN..... | |
| 12 | 3719 0018 71 | 2 | INTERMEDIATE CUSHION U4 | |
| 13 | 3719 0018 72 | 2 | END CUSHION U4..... | |
| 14 | 0338 3500 01 | 1 | LOCK PLATE | |
| 15 | 3719 0019 29 | 2 | SOCKET | M27x2-G3/8" |
| 16 | 0147 1244 03 | 8 | SCREW..... | M6x12 FZB M6S 6 x 12 |
| 17 | 0301 2321 00 | 8 | WASHER..... | BRFB 6.4 x 12.5 x 1.5 |
| 18 | 0301 2335 00 | 1 | WASHER..... | BRB 8.4 x 16 x 1.6 SS |
| 19 | 0301 2378 00 | 12 | WASHER | BRB 17 x 30 x 3 |
| 20 | 0686 3718 02 | 2 | PLUG..... | G 1/2-ED VSTI R 1/2-ED |
| 21 | 0335 1114 00 | 2 | CIRCLIP | DIA 12 FOR SHAFT |
| 22 | 0211 1244 03 | 2 | CAP SCREW | M6x12 FZB MC6S 6 x 12 8.8 FZB |
| 23 | 0301 2358 00 | 4 | WASHER | BRB 13 x 24 x 2.5 |
| 24 | 0147 1401 03 | 4 | SCREW..... | M12x30 FZB M6S 12 x 30 |
| 25 | 0500 4500 83 | 2 | RADIAL BEARING | |
| 26 | 0544 1100 12 | 1 | LUB. NIPPLE..... | H1 M10 X 1 |
| 27 | 0226 9920 18 | 2 | LINK SCREW | M12 x 60 DIN 444 B |
| 28 | 0663 2100 85 | 2 | O-RING..... | 30,2 x 3 |
| 29 | 0129 3151 00 | 16 | BLIND RIVET..... | 3,2x15,4 ST/ST 3,2 x 15,4 |
| 30 | 0147 1322 03 | 1 | SCREW..... | M8x16 FZB M6S 8 x 16 |
| 31 | 0301 2344 00 | 2 | WASHER..... | BRB 10,5 x 20 x 2 |
| 32 | 0211 1400 03 | 4 | CAP SCREW | M12x25 FZB MC6S 12 x 25 8.8 |
| 33 | 0211 1407 03 | 8 | CAP SCREW | M12x60 FZB MC6S 12 x 60 8.8 |
| 34 | 3719 0041 76 | 2 | CABLE CLIP | SELGA CLIP #1410321 |
| 35 | 0211 1204 03 | 2 | CAP SCREW | M5x10 FZB MC6S M5 x 10 8.8 FZB |
| 36 | 0266 7024 03 | 2 | HEX. NUT | M12 FZB TYP D M12 FZB |
| 37 | 0211 1247 03 | 8 | CAP SCREW | M6x20 FZB M6 x 20 8.8 FZB |
| 43 | 0211 1245 03 | 8 | CAP SCREW | M6x14 FZB MC6S 6 x 14 FZB |
| 44 | 0147 1360 03 | 2 | SCREW..... | M10x20 FZB M6S 10 x 20 |
| 45 | 0211 1409 03 | 6 | CAP SCREW | MC6S 12 x 70 8.8 FZB DIN 912 |
| 46 | 0147 1487 03 | 12 | SCREW | M16x90 FZB M6S 16 x 90 |
| 47 | 0266 2114 00 | 12 | HEX. NUT | M16 FZB M6M M16 |
| 48 | 0196 1474 00 | 6 | SET SCREW..... | M16x25 SK6SS 16 x 25 |
| 49 | 0261 1099 22 | 2 | HEX. NUT | ML6M M27x2 M27x2 H=13,5 DIN 439 B |
| - | 3719 0018 29 | 1 | HOSE KIT | |

Feed cylinder

Hydraulikzylinder / Hydraulcylinder / Vérin hydraulique / Cilindro hidráulico / Cilindro de spinta / Cilindro de avanco

3719 0016 35



Feed cylinder

Hydraulikzylinder / Hydraulcylinder / Vérin hydraulique / Cilindro hidráulico / Cilindro de spinta / Cilindro de avance

3719 0016 35

| Ref. No | Part Number | Qty. | Description | Notes |
|---------|--------------|------|--------------------------------------|--------------|
| - | 3719 0017 01 | | PACKING KIT, FEED CYLINDER | 850 and 1800 |
| 3 | | 2 | WIPER | |
| 4 | | 4 | O-RING | |
| 5 | | 2 | PISTON SEAL | |
| 7 | | 4 | GUIDE RING | |
| 8 | | 2 | PISTON SEAL | |
| 9 | | 2 | SUPPORT RING | |
| 10 | | 2 | WIPER | |
| 11 | | 2 | O-RING | |
| 13 | | 4 | PISTON SEAL | |
| 14 | | 2 | GUIDE RING | |
| 15 | | 2 | SUPPORT RING | |
| 16 | | 2 | O-RING | |
| 17 | | 2 | GUIDE RING | |
| 18 | | 1 | PISTON | |
| 19 | | 1 | PISTON SEAL | |
| 20 | | 2 | GUIDE RING | |
| 21 | | 2 | O-RING | |
| 22 | | 4 | SUPPORT RING | |

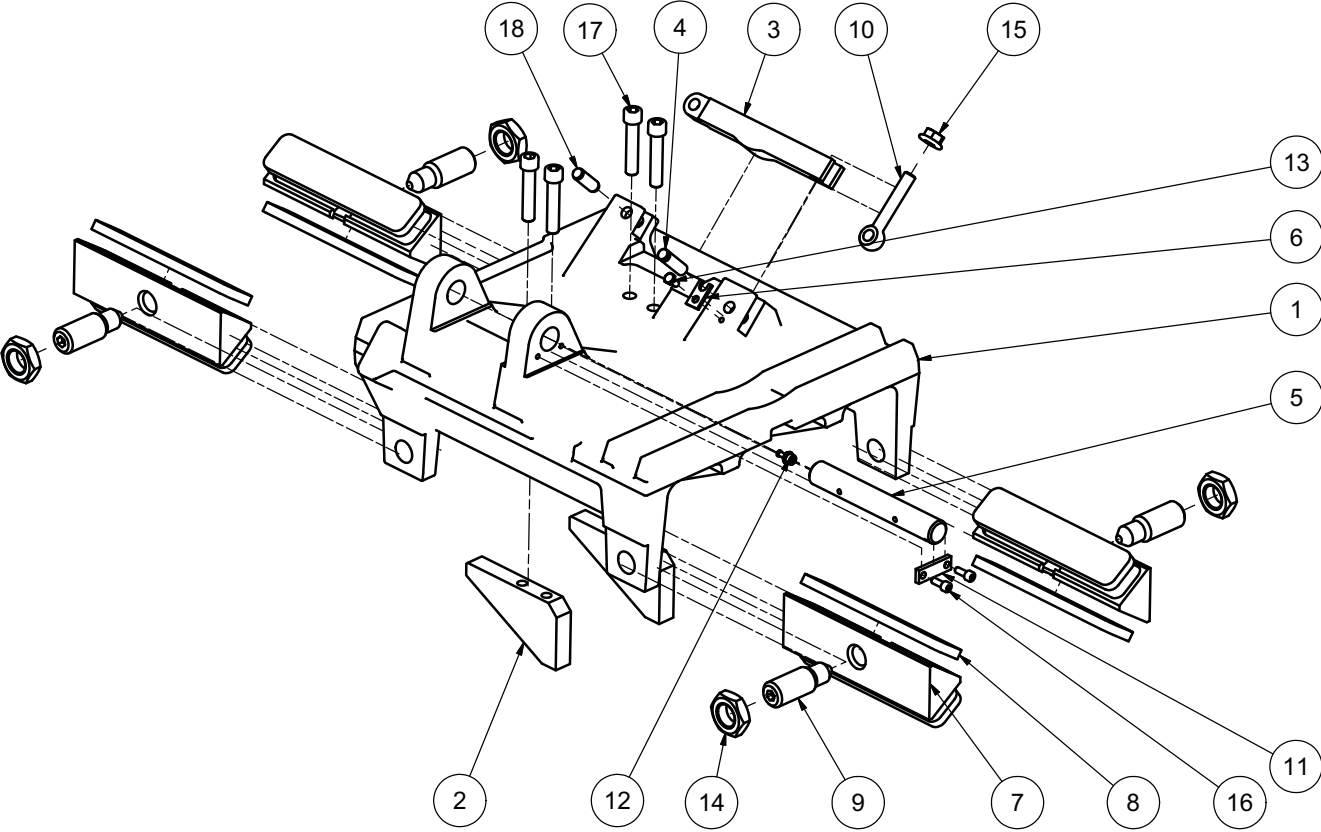
Feed frame long hose.kit

3719 0018 29

| Ref. No. | Part No. | Qty. | Size. | Lenght | Notes |
|----------|--------------|------|-------|----------|-------|
| DMB2 | 0574 3256 61 | 1 | 3/4" | 2 400 mm | |
| DMA2 | 0574 3256 62 | 1 | 3/4" | 2 550 mm | |
| CH2 | 0574 1315 11 | 1 | 3/8" | 2 300 mm | |
| RH2 | 0574 3256 58 | 1 | 3/8" | 1 500 mm | |
| FDOUT2 | 0574 3256 64 | 1 | 1/2" | 1 010 mm | |
| FDIN2 | 0574 3256 66 | 1 | 1/2" | 1 400 mm | |
| DR5 | 0574 3256 56 | 1 | 1/2" | 2 600 mm | |
| FDOUT3 | 0574 3256 65 | 1 | 1/2" | 2 750 mm | |
| FDIN3 | 0574 3256 65 | 1 | 1/2" | 2 750 mm | |
| RPM2 | 0574 1253 04 | 1 | 1/4" | 2 300 mm | |

Cradle assembly

3719 0016 95



Cradle assembly

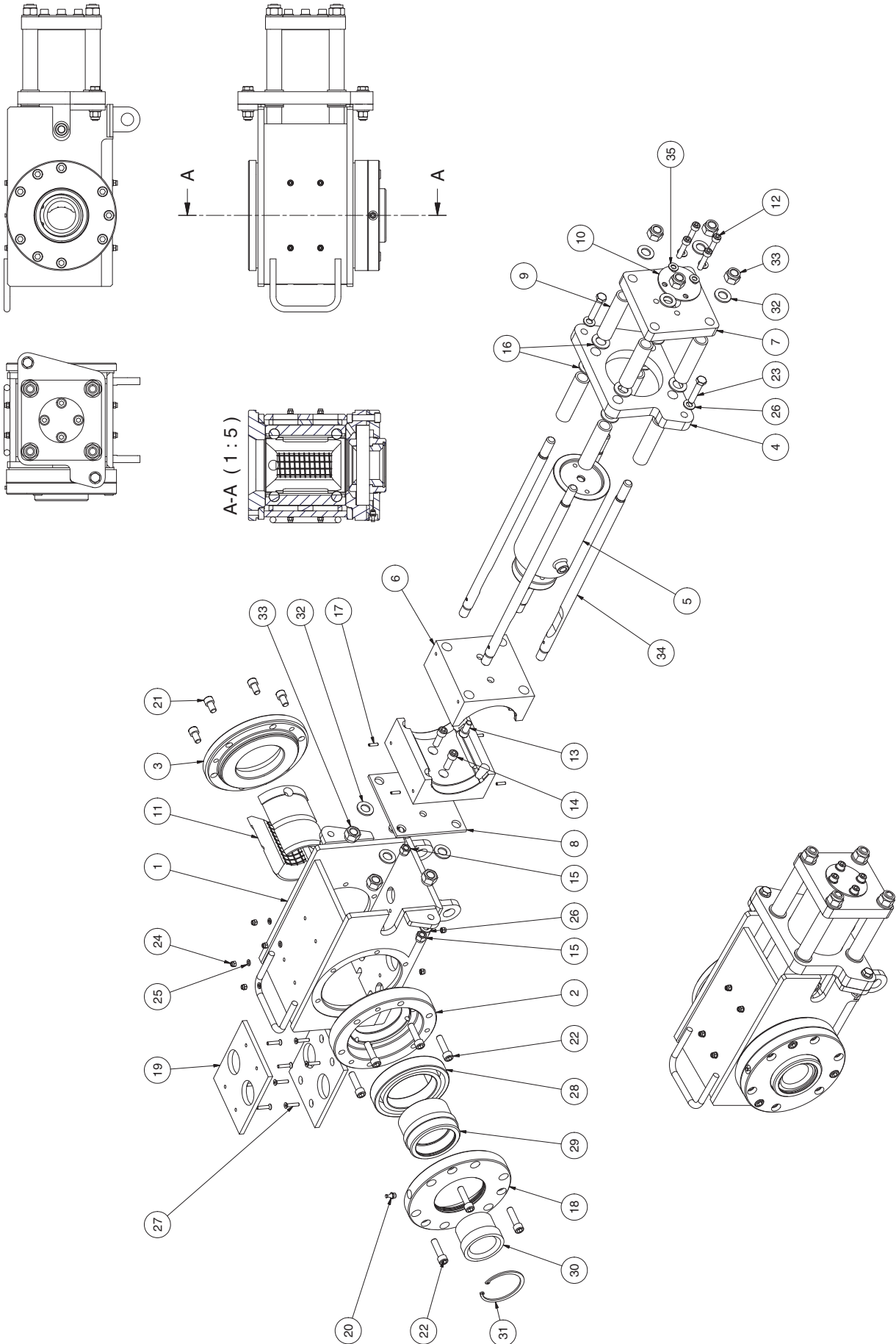
3719 0016 95

| Ref. No. | Part No. | Qty. | Description | Notes |
|----------|--------------|------|--------------------|---------------------------------------|
| 1 | 3719 0017 00 | 1 | CRADLE | U4 MACHINED |
| 2 | 3719 0016 92 | 2 | RETAINER | |
| 3 | 3719 0016 93 | 1 | LEVER | |
| 4 | 3719 0016 94 | 1 | PIN | |
| 5 | 3719 0017 08 | 1 | PIN | |
| 6 | 3719 0017 09 | 1 | LOCK PLATE | |
| 7 | 3719 0000 28 | 4 | SLIDE BLOCK | |
| 8 | 3719 0000 29 | 8 | SLIDING PAD | |
| 9 | 3719 0000 31 | 4 | PIN | |
| 10 | 0226 9920 08 | 1 | LINK SCREW | M12 x 75 DIN 444 B |
| 11 | 0338 3500 01 | 1 | LOCK PLATE | |
| 12 | 0544 1100 12 | 1 | LUB. NIPPLE | H1 M10 X 1 |
| 13 | 0147 1244 03 | 1 | SCREW | M6x12 FZB M6S 6 x 12 |
| 14 | 0261 1099 22 | 4 | HEX. NUT | ML6M M27x2 FZB M27x2 H=13,5 DIN 439 B |
| 15 | 0266 7024 03 | 1 | HEX. NUT | M12 FZB TYP D M12 FZB |
| 16 | 0211 1244 03 | 2 | CAP SCREW | M6x12 FZB MC6S 6 x 12 8.8 FZB |
| 17 | 0211 1407 03 | 4 | CAP SCREW | M12x60 FZB MC6S 12 x 60 8.8 |
| 18 | 0101 1951 20 | 1 | PARALLEL PIN | 12 X 35 |

Rod holder assy

Gestängehalter / Rörhållare / Porte-tige / Freno de varillas / Freno / Retentor de varas

3719 0016 86



Rod holder assy

Gestängehalter / Rörhållare / Porte-tige / Freno de varillas / Freno / Retentor de varas

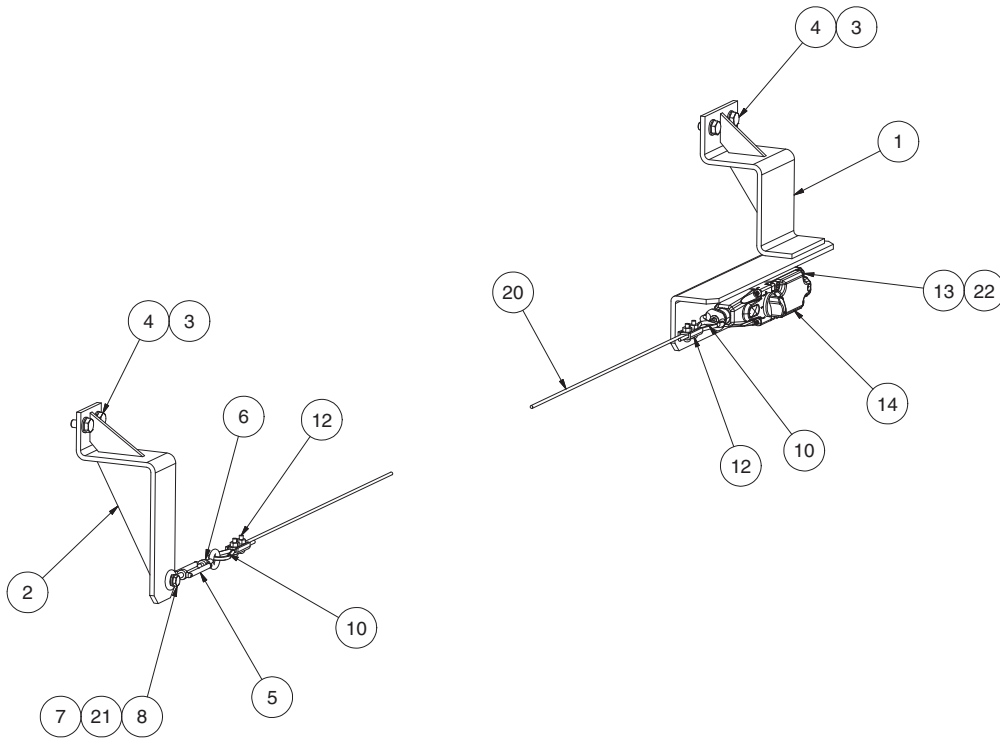
3719 0016 86

| Ref. No. | Part No. | Qty. | Description | Notes |
|----------|--------------|------|----------------------|-------------------------------------|
| 1 | 3719 0016 81 | 1 | HOUSING | |
| 2 | 3719 0016 82 | 1 | BACK COVER | |
| 3 | 3719 0016 83 | 1 | FRONT COVER | |
| 4 | 3719 0016 85 | 1 | MOUNTING FLANGE..... | |
| 5 | 3719 0017 32 | 1 | GAS SPRING | |
| 6 | 3719 0000 89 | 2 | JAW HOLDER | |
| 7 | 3719 0000 98 | 1 | END PLATE | |
| 8 | 3719 0001 38 | 1 | LOCKING PLATE | |
| 9 | 3719 0001 82 | 8 | SPACER..... | |
| 10 | 3719 0001 83 | 1 | CAP | |
| 11 | 3715 3617 00 | 1 | RH JAW..... | 65mm |
| 12 | 0211 1366 03 | 4 | CAP SCREW..... | MC6S 10 x 45 8.8 |
| 13 | 0211 1400 03 | 2 | CAP SCREW..... | M12x25 FZB MC6S 12 x 25 8.8 |
| 14 | 0211 1402 03 | 2 | CAP SCREW..... | MC6S 12 x 35 8.8 FZB |
| 15 | 0291 1128 23 | 4 | LOCK NUT | M12 8 fzb ISO 7043 |
| 16 | 0300 0274 13 | 12 | PLAIN WASHER | BRB 21 x 37 x 3 ISO 7089 |
| 17 | 0108 1296 00 | 4 | SPRING PIN | FRP 5 x 20 |
| 18 | 3719 0001 10 | 1 | RETAINER | |
| 19 | 3719 0001 84 | 2 | LINER | |
| 20 | 0544 1100 12 | 1 | LUB. NIPPLE | H1 M10 X 1 |
| 21 | 0211 1397 03 | 6 | CAP SCREW..... | M12x16 FZB MC6S 12 x 16 - 8.8 |
| 22 | 0211 1404 03 | 9 | CAP SCREW..... | MC6S 12 x 45 8.8 |
| 23 | 0211 1407 03 | 2 | CAP SCREW | M12x60 FZB MC6S 12 x 60 8.8 |
| 24 | 0291 1128 15 | 8 | LOCK NUT | M6 HÖG fzb ISO 7040 |
| 25 | 0301 2321 00 | 8 | WASHER | BRFB 6.4 x 12.5 x 1.5 |
| 26 | 0301 2358 00 | 4 | WASHER | BRB 13 x 24 x 2.5 |
| 27 | 0216 1957 69 | 8 | CAP SCREW..... | MF6S 6 x 30 10.9 FZB |
| 28 | 0502 1121 00 | 1 | BALL BEARING..... | 6021 2ZR FAG |
| 29 | 3719 0007 05 | 1 | SOCKET HOLDER | |
| 30 | 3715 6284 00 | 1 | GUIDE SOCKET | 57mm |
| 31 | 0335 2162 00 | 1 | CIRCLIP | SGH 85 DIN 472 |
| 32 | 0301 2386 00 | 8 | WASHER | BRB 19x34x3 FZB |
| 33 | 0291 1128 27 | 8 | LOCK NUT | M18 M6MF M18 FZB ISO 7043 |
| 34 | 3719 0000 97 | 4 | TIE ROD..... | |
| 35 | 0301 2344 00 | 4 | WASHER | BRB 10.5 x 20 x 2 |
| 36 | 3719 0026 93 | 1 | NOZZLE..... | 2mm JIC 3/4 UN 3/4, G 3/8, 2mm hole |
| 37 | 3176 3060 00 | 1 | ELBOW | UN 3/4" |
| 38 | 3176 5313 00 | 1 | CAP..... | UN 3/4"- 16 |

E-stop kit

Not-Aus-Schalter / Nödstop / Arrêt d'urgence / Parada de emergencia / Parada de emergência.

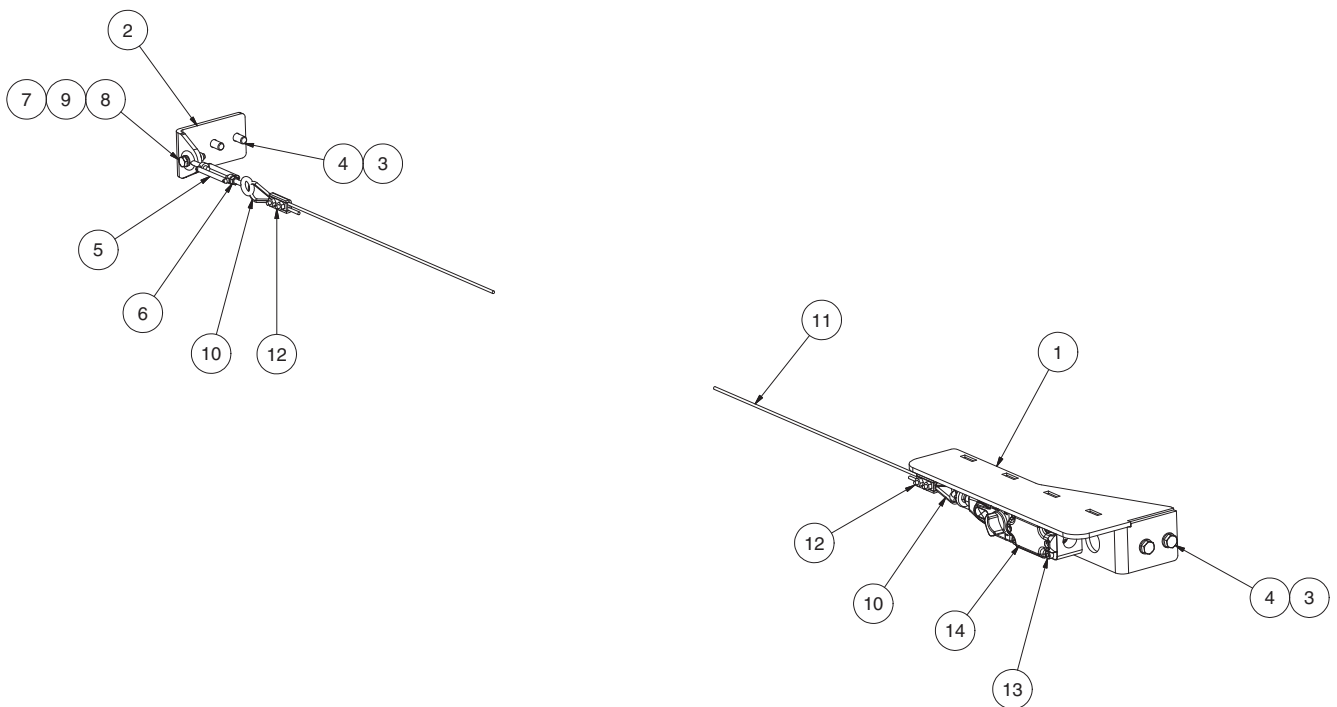
3719 0017 33



E-stop kit

Not-Aus-Schalter / Nödstop / Arrêt d'urgence / Parada de emergencia / Parada de emergência.

3719 0019 61



E-stop kit

Not-Aus-Schalter / Nödstop / Arrêt d'urgence / Parada de emergencia / Parada de emergência.

3719 0017 33

| Ref. No | Part Number | Qty. | Description | Notes |
|---------|--------------|------|------------------------------|----------------------------|
| 1 | 3719 0017 95 | 1 | REAR BRACKET E-STOP U4 | |
| 2 | 3719 0017 25 | 1 | E-STOP FRONT BRACKET | |
| 3 | 0301 2335 00 | 4 | WASHER | BRB 8.4 x 16 x 1.6 SS |
| 4 | 0147 1322 03 | 4 | SCREW | M8x16 FZB M6S 8 x 16 |
| 5 | 3716 5503 00 | 1 | TURN BUCKLE | |
| 6 | 0261 2107 00 | 1 | HEX. NUT | M5 FZB |
| 7 | 0291 1128 15 | 1 | LOCK NUT | M6 ISO 7040 |
| 8 | 0147 1249 03 | 1 | SCREW | M6x25 FZB M6S 6 x 25 |
| 10 | 3716 5504 00 | 2 | THIMBLE | |
| 11 | 3716 5501 00 | 3 | WIRE | |
| 12 | 3716 5502 00 | 2 | WIRE LOCK | |
| 13 | 0211 1214 03 | 4 | CAP SCREW | MC6S 5 x 45 |
| 14 | 3716 5500 00 | 1 | EMERGENCY STOP | |
| 21 | 0301 2321 00 | 2 | WASHER | BRFB 6.4 x 12.5 x 1.5 |
| 22 | 0291 1128 14 | 4 | LOCK NUT | M5 FZB M5 HÖG FZB ISO 7040 |

E-stop kit

Not-Aus-Schalter / Nödstop / Arrêt d'urgence / Parada de emergencia / Parada de emergência.

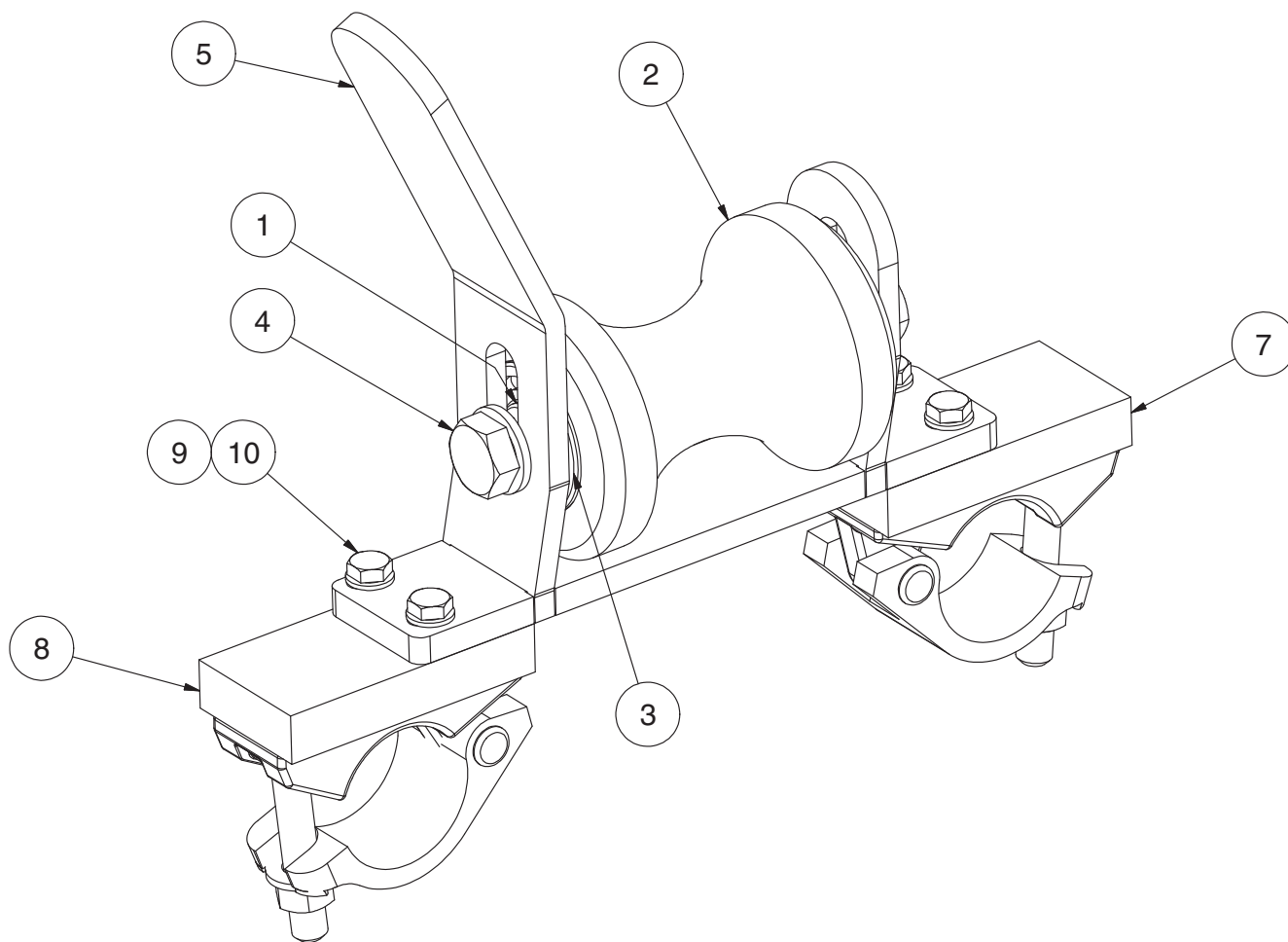
3719 0019 61

| Ref. No | Part Number | Qty. | Description | Notes |
|---------|--------------|------|-------------------------------|---------------------------|
| 1 | 3719 0019 59 | 1 | E-STOP BRACKET FRONT | |
| 2 | 3719 0019 60 | 1 | E-STOP BRACKET REAR, U4 | |
| 3 | 0301 2335 00 | 4 | WASHER | BRB 8.4 x 16 x 1.6 SS |
| 4 | 0147 1323 03 | 4 | SCREW | M8x20 FZB M6S 8 x 20 |
| 5 | 3716 5503 00 | 1 | TURN BUCKLE | |
| 6 | 0261 2107 00 | 1 | HEX. NUT | M5 FZB |
| 7 | 0291 1128 15 | 1 | LOCK NUT | M6 fzb ISO 7040 |
| 8 | 0147 1249 03 | 1 | SCREW | M6x25 FZB M6S 6 x 25 |
| 9 | 0301 2321 00 | 2 | WASHER | 6 BRFB 6.4 x 12.5 x 1.5 |
| 10 | 3716 5504 00 | 2 | THIMBLE | |
| 11 | 3716 5501 00 | 2 | WIRE | |
| 12 | 3716 5502 00 | 2 | WIRE LOCK | |
| 13 | 0211 1213 03 | 4 | CAP SCREW | M5x40 MC6S 5 X 40 8.8 FZB |
| 14 | 3716 5500 00 | 1 | EMERGENCY STOP | |

Rod pulley

Führungsrolle / Linrulle / Poulie à tiges / Guia de varillas / Retendor de varas

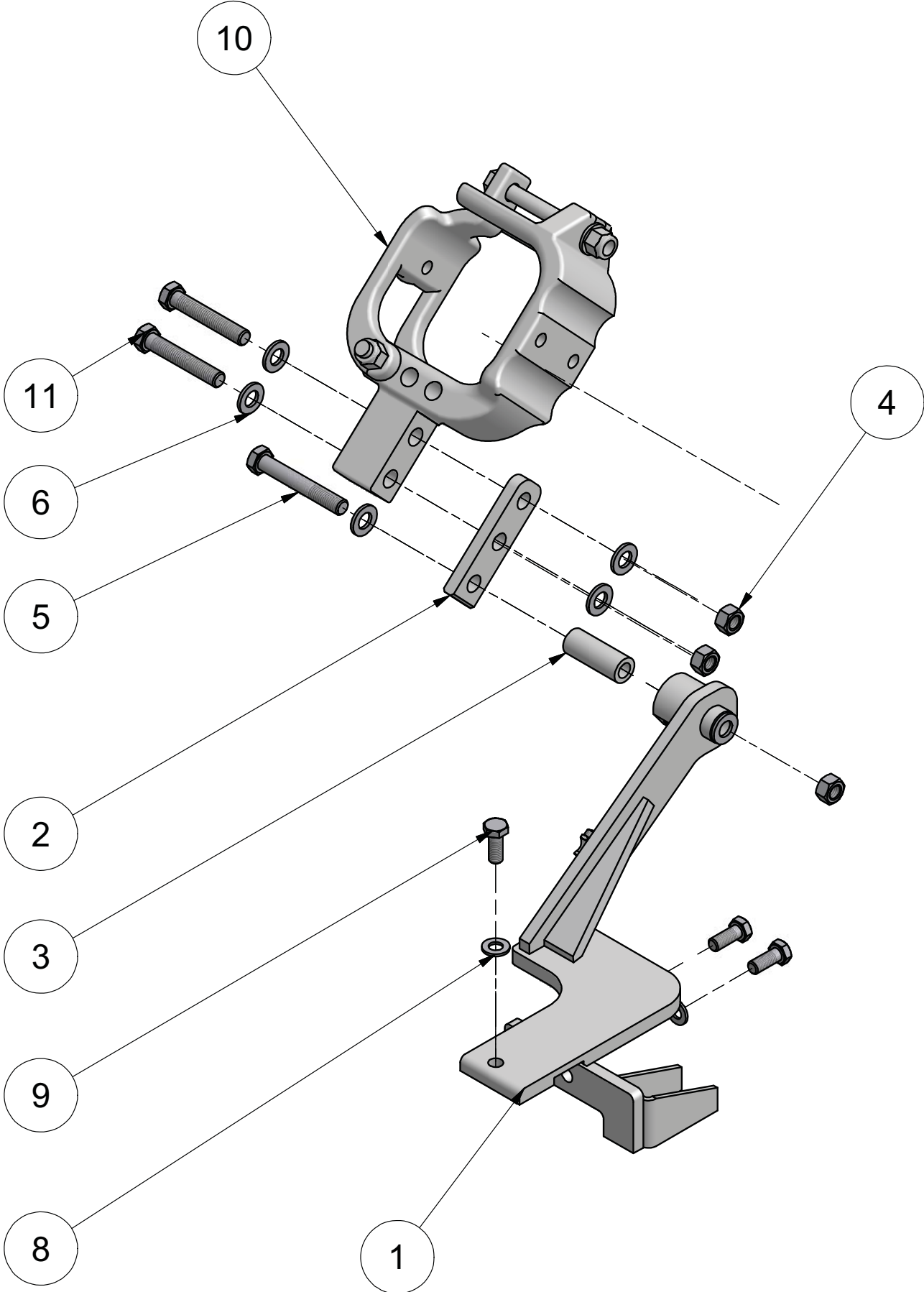
3719 0017 20



| Ref. No. | Part No. | Qty. | Description | Notes |
|----------|--------------|------|---------------------------------|------------------------|
| 1 | 3719 0017 97 | 1 | SHAFT FOR ROD PULLEY..... | |
| 2 | 3715 6341 00 | 1 | PULLEY..... | |
| 3 | 0502 2230 00 | 2 | BALL BEARING | 6205 2RS1/QE6 |
| 4 | 0147 1476 03 | 2 | SCREW | M16X35 FZB M6S 16 x 35 |
| 5 | 3719 0019 67 | 1 | ROD PULLEY BRACKET | |
| 6 | 0301 2178 01 | 2 | WASHER | BRB 17 x 30 x 3 |
| 7 | 3719 0017 80 | 1 | DISTANCE BRACKET ASSEMBLY | LEFT |
| 8 | 3719 0017 81 | 1 | DISTANCE BRACKET ASSEMBLY | RIGHT |
| 9 | 0301 2335 00 | 4 | WASHER | BRB 8.4 x 16 x 1.6 SS |
| 10 | 0147 1325 03 | 4 | SCREW | M8X25 FZB M6S 8 x 25 |

Support bracket assembly

3719 0017 02



Support bracket assembly

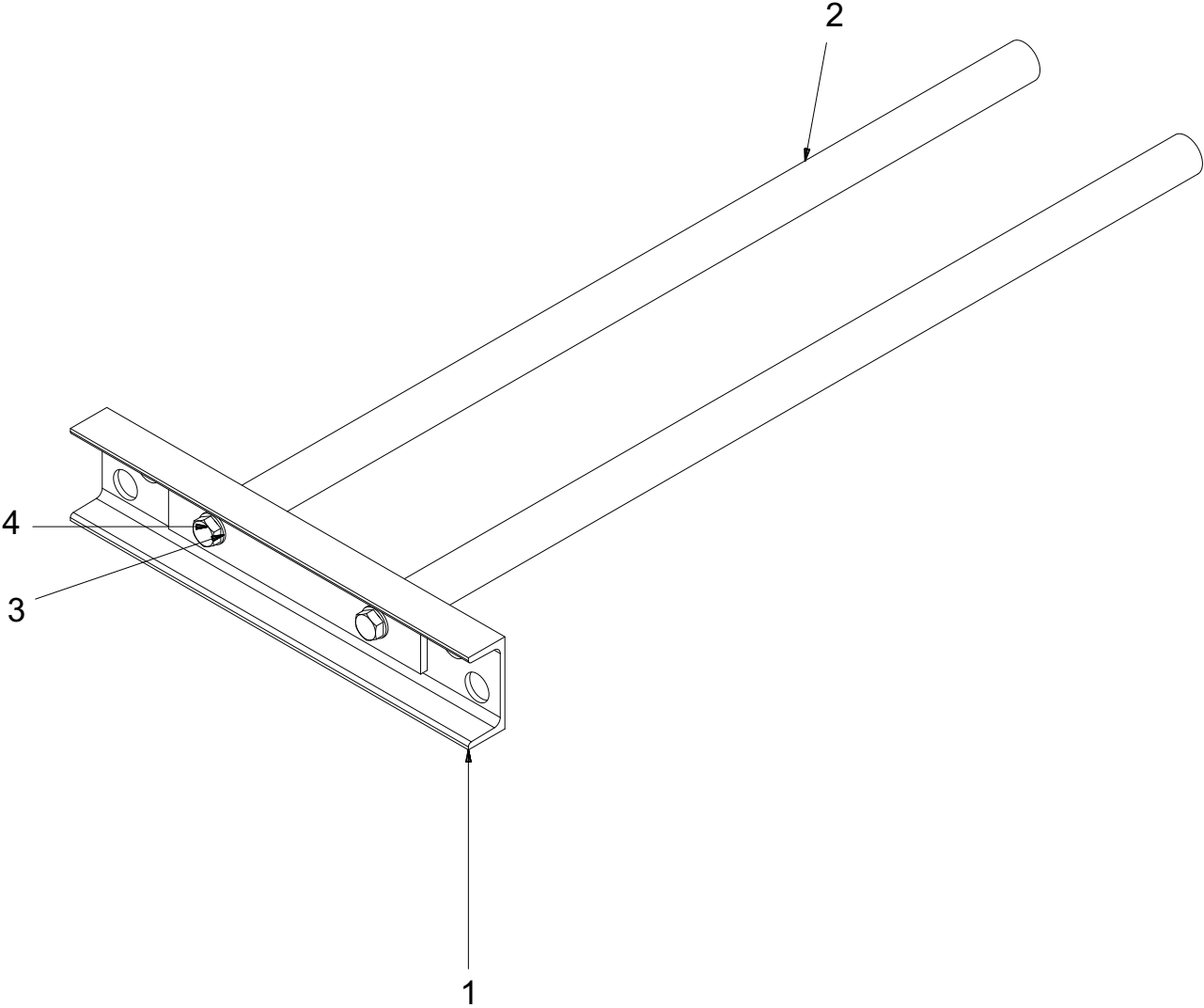
3719 0017 02

| Ref. No. | Part No. | Qty. | Description | Notes |
|----------|--------------|------|-----------------------|---------------------------------|
| 1 | 3719 0017 54 | 1 | SUPPORT BRACKET | |
| 2 | 3719 0017 56 | 1 | BRACKET | |
| 3 | 3719 0017 73 | 1 | TUBE | |
| 4 | 0291 1112 00 | 3 | LOCK NUT | M12 LM6M DIN 985 |
| 5 | 0147 1411 03 | 1 | SCREW | M12x80 FZB M6S 12 x 80 FZB |
| 6 | 0301 2164 00 | 6 | WASHER | BRB 13.5 x 24 x 2 FZB |
| 7 | 0544 1100 12 | 1 | LUB. NIPPLE | H1 M10 X 1 |
| 8 | 0301 2344 00 | 3 | WASHER | BRB 10.5 x 20 x 2 |
| 9 | 0147 1362 03 | 3 | SCREW | M10x25 FZB M6S 10 x 25 ISO 4017 |
| 10 | 3128 3062 56 | 1 | HOSE HOLDER | |
| 11 | 0147 1409 03 | 2 | SCREW | M12x70 FZB M6S 12 x 70 |

Standard wall bracket

Wandbefastigung / Bergfäste / Bride à scellement / Soporte de pare / Suporte de parede

3719 0017 44



Standard wall bracket

Wandbefastigung / Bergfäste / Bride à scellement / Soporte de pare / Suporte de parede

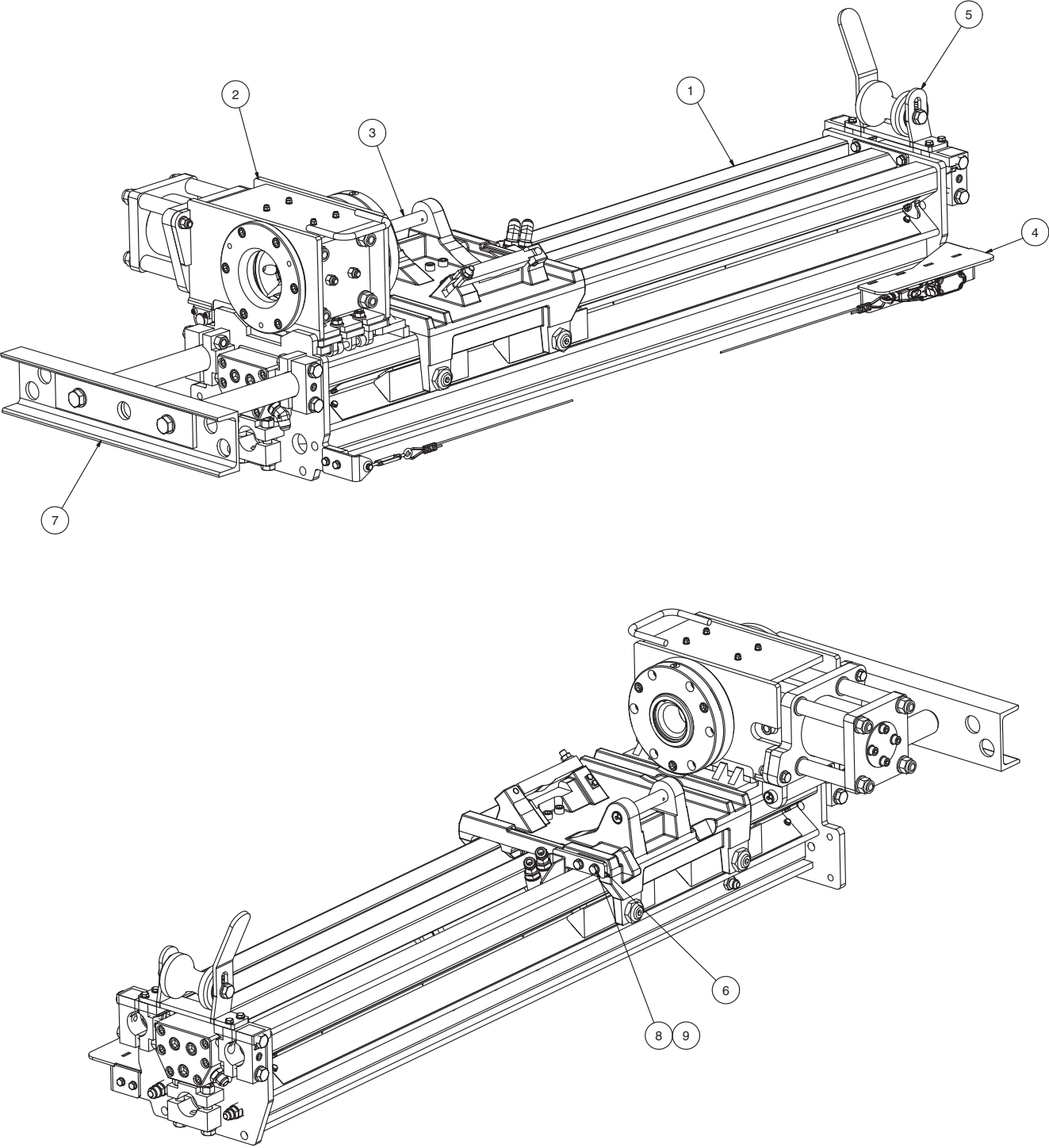
3719 0017 44

| Ref. No. | Part No. | Qty. | Description | Notes |
|----------|--------------|------|---------------------|------------------|
| 1 | 3719 0016 99 | 1 | WALL BRACKET | |
| 2 | 3715 6973 00 | 2 | EXTENSION LEG | |
| 3 | 0301 2193 00 | 2 | WASHER | BRB 21 x 34 x 3 |
| 4 | 0147 1552 03 | 2 | SCREW | M6S M20 x 55 FZB |

Feed frame complete, short

Vorschubrahmen / Matarram / Châssis de glissière / Bastidor de avance / Slitta / Calha de perfuração

3719 0017 28



Feed frame complete, short

Vorschubrahmen / Matarram / Châssis de glissière / Bastidor de avance / Slitta / Calha de perfuração

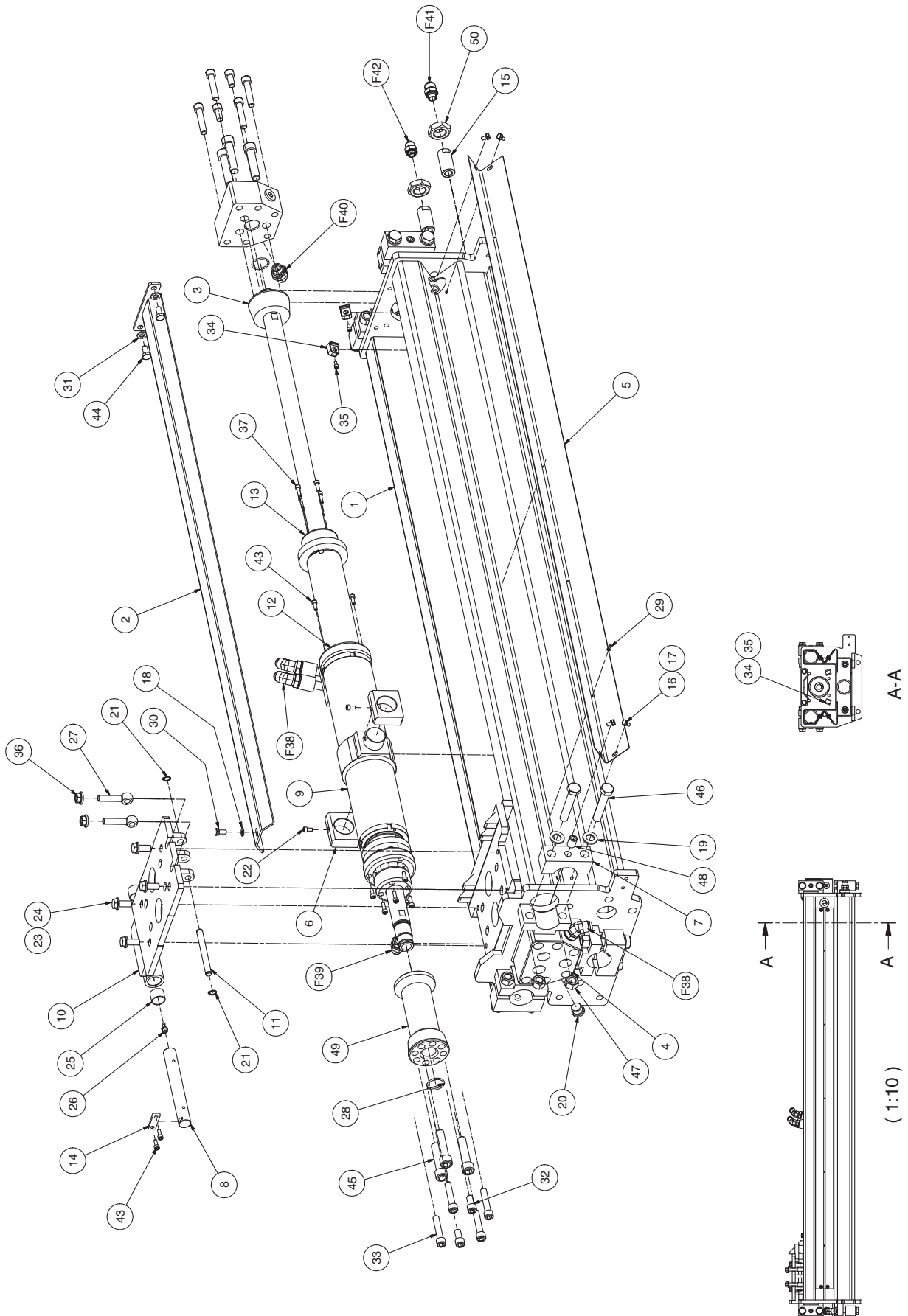
3719 0017 28

| Ref. No | Part Number | Qty. | Description | Notes |
|---------|--------------|------|---------------------------------|---------------------------------|
| | 850 mm | | | |
| 1 | 3719 0016 41 | 1 | FEED FRAME ASSEMBLY SHORT | |
| 2 | 3719 0016 86 | 1 | ROD HOLDER ASSEMBLY | |
| 3 | 3719 0016 95 | 1 | CRADLE ASSEMBLY U4..... | |
| 4 | 3719 0019 61 | 1 | E-STOP KIT | (B) |
| 5 | 3719 0017 20 | 1 | ROD PULLEY | |
| 6 | 3719 0017 54 | 1 | SUPPORT BRACKET | |
| 7 | 3719 0017 44 | 1 | WALL BRACKET ASSEMBLY | |
| 8 | 0147 1362 03 | 2 | SCREW..... | M10x25 FZB M6S 10 x 25 ISO 4017 |
| 9 | 0301 2344 00 | 2 | WASHER | BRB 10.5 x 20 x 2 |

Feed frame 850 mm

Vorschubrahmen / Matarram / Châssis de glissière / Bastidor de avance / Slitta / Calha de perfuração

3719 0016 41



Feed frame 850 mm

Vorschubrahmen / Matarram / Châssis de glissière / Bastidor de avance / Slitta / Calha de perfuração

3719 0016 41

| Ref. No | Part Number | Qty. | Description | Notes |
|---------|--------------|------|----------------------------------|--------------------------------|
| | 850 mm | | | |
| - | 3719 0047 60 | 1 | INTERNAL HOSE KIT U4 SHORT | |
| 1 | 3719 0016 42 | 1 | FEED BEAM SHORT | |
| 2 | 3719 0016 87 | 1 | FEED CYLINDER COVER,SHORT | |
| 3 | 3719 0016 44 | 1 | LOCK NUT | |
| 4 | 3719 0016 45 | 2 | END PLATE | |
| 5 | 3719 0016 96 | 2 | WEAR LINER SHORT | |
| 6 | 3719 0000 27 | 2 | TRUNNION BLOCK | |
| 7 | 3719 0002 05 | 6 | CLAMP | |
| 8 | 3719 0016 49 | 1 | PIN | |
| 9 | 3719 0016 90 | 1 | FEED CYLINDER | 852 (B) |
| 10 | 3719 0016 47 | 1 | ROD HOLDER BRACKET | |
| 11 | 3719 0016 80 | 1 | PIN | |
| 12 | 3719 0018 71 | 2 | INTERMEDIATE CUSHION U4 | |
| 13 | 3719 0018 72 | 2 | END CUSHION U4 | |
| 14 | 0338 3500 01 | 1 | LOCK PLATE | |
| 15 | 3719 0019 29 | 2 | SOCKET | M27x2-G3/8" M27x2-G3/8" |
| 16 | 0147 1244 03 | 8 | SCREW | M6x12 FZB M6S 6 x 12 |
| 17 | 0301 2321 00 | 8 | WASHER | BRFB 6.4 x 12.5 x 1.5 |
| 18 | 0301 2335 00 | 1 | WASHER | BRB 8.4 x 16 x 1.6 SS |
| 19 | 0301 2378 00 | 12 | WASHER | BRB 17 x 30 x 3 |
| 20 | 0686 3718 02 | 2 | PLUG | G 1/2-ED VSTI R 1/2-ED |
| 21 | 0335 1114 00 | 2 | CIRCLIP | DIA 12 FOR SHAFT |
| 22 | 0211 1244 03 | 2 | CAP SCREW | M6x12 FZB MC6S 6 x 12 8.8 FZB |
| 23 | 0301 2358 00 | 4 | WASHER | BRB 13 x 24 x 2.5 |
| 24 | 0147 1401 03 | 4 | SCREW | M12x30 FZB M6S 12 x 30 |
| 25 | 0500 4500 83 | 2 | RADIAL BEARING | |
| 26 | 0544 1100 12 | 1 | LUB. NIPPLE | H1 M10 X 1 |
| 27 | 0226 9920 18 | 2 | LINK SCREW | M12 x 60 DIN 444 B |
| 28 | 0663 2100 85 | 2 | O-RING | 30,2 x 3 |
| 29 | 0129 3151 00 | 10 | BLIND RIVET | 3.2x15.4 ST/ST 3.2 x 15,4 |
| 30 | 0147 1321 03 | 1 | SCREW | M8x14 FZB M6S 8 x 14 |
| 31 | 0301 2344 00 | 2 | WASHER | BRB 10.5 x 20 x 2 |
| 32 | 0211 1400 03 | 4 | CAP SCREW | M12x25 FZB MC6S 12 x 25 8.8 |
| 33 | 0211 1407 03 | 8 | CAP SCREW | M12x60 FZB MC6S 12 x 60 8.8 |
| 34 | 3719 0041 76 | 2 | CABLE CLIP | SELGA CLIP #1410321 |
| 35 | 0211 1204 03 | 2 | CAP SCREW | M5x10 FZB MC6S M5 x 10 8.8 FZB |
| 36 | 0266 7024 03 | 2 | HEX. NUT | M12 FZB TYP D M12 FZB |
| 37 | 0211 1247 03 | 8 | CAP SCREW | M6x20 FZB M6 x 20 8.8 FZB |
| 38 | 3176 6554 00 | 3 | ELBOW | 45GRA. UN 7/8 x R 1/2 |
| 39 | 3176 6497 00 | 1 | FITTING | 3/4" |
| 40 | 3176 6515 00 | 1 | NIPPLE | UN 7/8 x R 1/2 |
| 41 | 3176 6514 00 | 1 | NIPPLE | R 3/8 x UN 7/8 |
| 42 | 3176 6512 00 | 1 | NIPPLE | R 3/8 - UN 3/4 |
| 43 | 0211 1245 03 | 8 | CAP SCREW | M6x14 FZB MC6S 6 x 14 FZB |
| 44 | 0147 1360 03 | 2 | SCREW | M10x20 FZB M6S 10 x 20 |
| 45 | 0211 1482 03 | 6 | CAP SCREW | M16x65 FZB MC6S 16x65 8.8 FZB |
| 46 | 0147 1487 03 | 12 | SCREW | M16x90 FZB M6S 16 x 90 |
| 47 | 0266 2114 00 | 12 | HEX. NUT | M16 FZB M6M M16 |
| 48 | 0196 1474 00 | 6 | SET SCREW | M16x25 SK6SS 16 x 25 |
| 49 | 3719 0016 97 | 1 | LOCK NUT | LONG |
| 50 | 0261 1099 22 | 2 | HEX. NUT | ML6M M27x2 FZB |

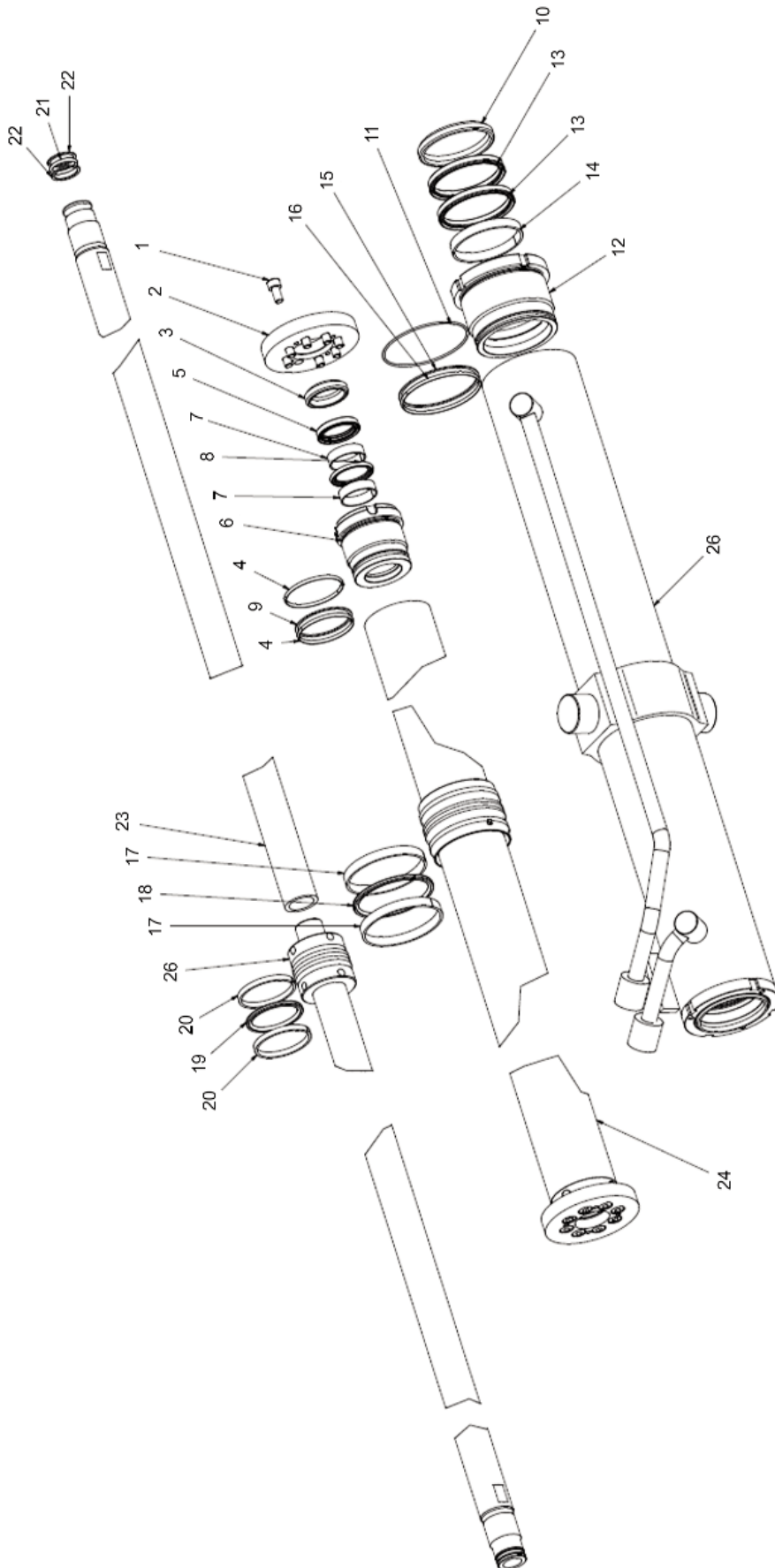
- **3719 0018 31**

HOSE KIT, FEED FRAME 850

Feed cylinder

Hydraulikzylinder / Hydraulcylinder / Vérin hydraulique / Cilindro hidráulico / Cilindro de spinta / Cilindro de avanco

3719 0016 90



Feed cylinder

Hydraulikzylinder / Hydraulicylinder / Vérin hydraulique / Cilindro hidráulico / Cilindro de spinta / Cilindro de avanço

3719 0016 90

| Ref. No | Part Number | Qty. | Description | Notes |
|---------|--------------|------|--------------------------------------|--------------|
| - | 3719 0017 01 | | PACKING KIT, FEED CYLINDER | 850 and 1800 |
| 3 | | 2 | WIPER | |
| 4 | | 4 | O-RING. | |
| 5 | | 2 | PISTON SEAL | |
| 7 | | 4 | GUIDE RING | |
| 8 | | 2 | PISTON SEAL | |
| 9 | | 2 | SUPPORT RING. | |
| 10 | | 2 | WIPER | |
| 11 | | 2 | O-RING. | |
| 13 | | 4 | PISTON SEAL | |
| 14 | | 2 | GUIDE RING | |
| 15 | | 2 | SUPPORT RING. | |
| 16 | | 2 | O-RING. | |
| 17 | | 2 | GUIDE RING | |
| 18 | | 1 | PISTON | |
| 19 | | 1 | PISTON SEAL | |
| 20 | | 2 | GUIDE RING | |
| 21 | | 2 | O-RING. | |
| 22 | | 4 | SUPPORT RING. | |

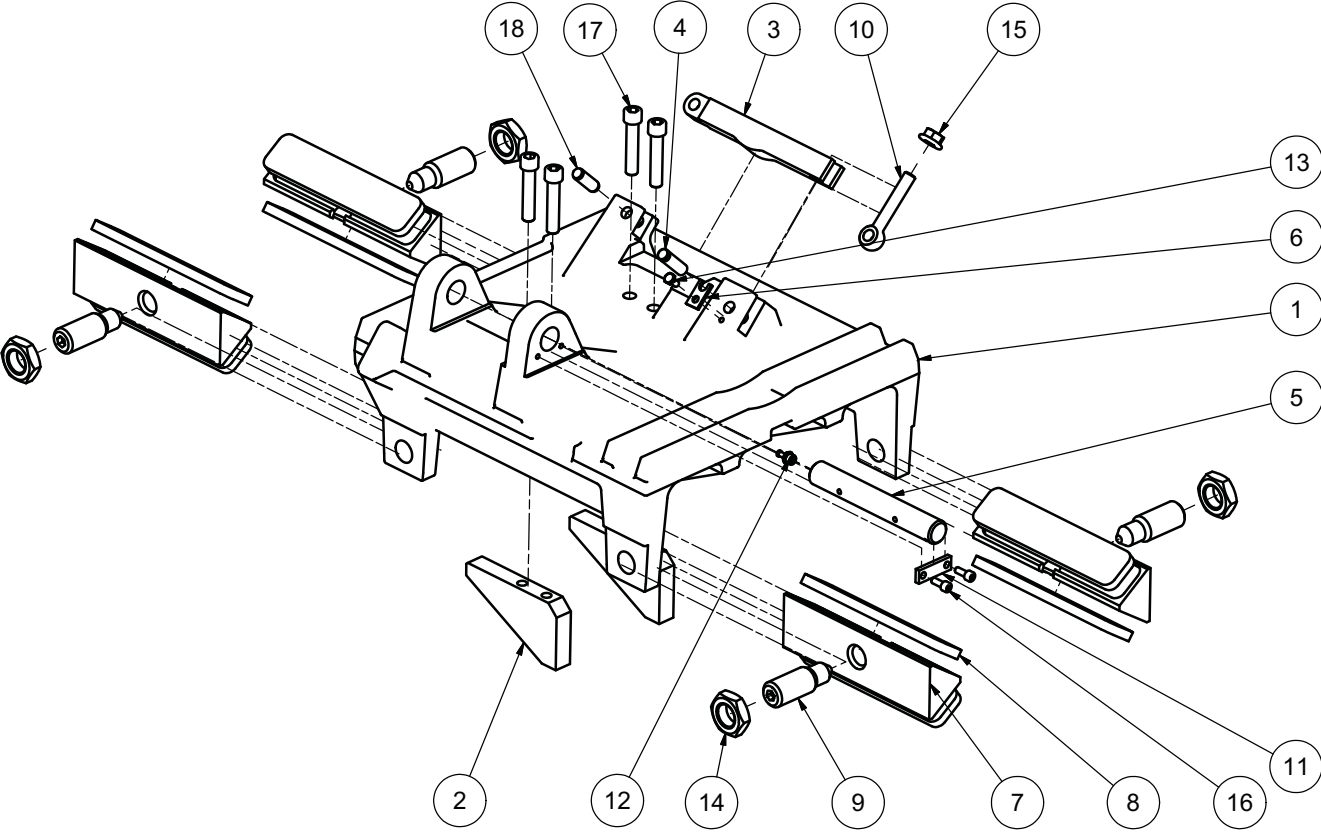
Feed frame short hose.kit

3719 0018 31

| Ref. No. | Part No. | Qty. | Size. | Lenght | Notes |
|----------|--------------|------|------------|----------|-------|
| DMB2 | 0574 3256 35 | 1 | 3/4" | 1 900 mm | |
| DMA2 | 0574 3256 36 | 1 | 3/4" | 2 050 mm | |
| CH2 | 3176 3736 00 | 1 | 3/8" | 2 600 mm | |
| RH2 | 0574 1269 11 | 1 | 3/8" | 1 200 mm | |
| FDOUT2 | 0574 3258 10 | 1 | 1/2" | 1 250 mm | |
| FDIN2 | 0574 3258 09 | 1 | 1/2" | 2 620 mm | |
| DR5 | 0574 3256 37 | 1 | 1/2" | 2 100 mm | |
| FDOUT3 | 0574 3256 38 | 1 | 1/2" | 2 250 mm | |
| FDIN3 | 0574 3256 65 | 1 | 1/2" | 2 750 mm | |
| RPM2 | 0574 1253 04 | 1 | 1/4" | 2 300 mm | |

Cradle assembly

3719 0016 95



Cradle assembly

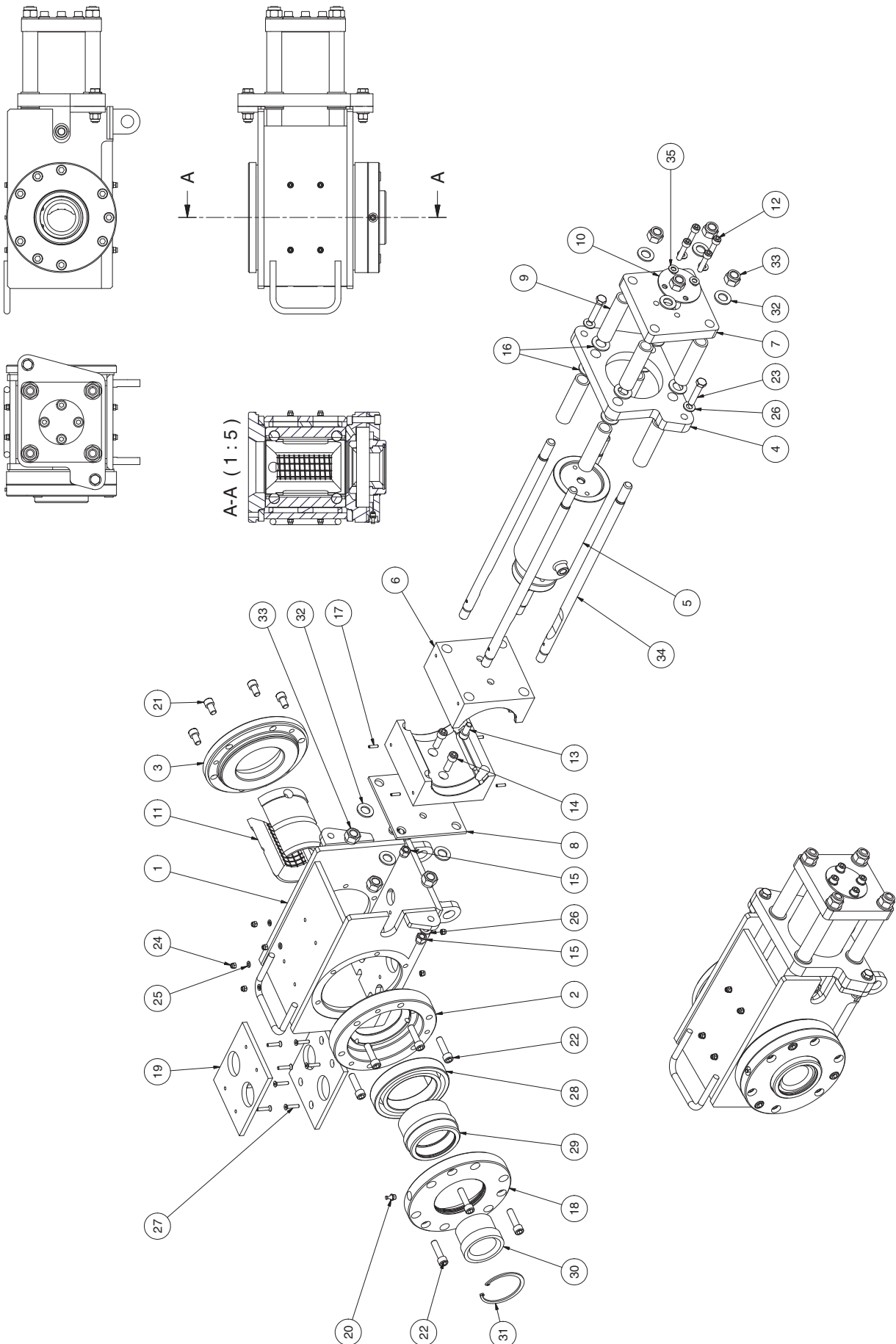
3719 0016 95

| Ref. No. | Part No. | Qty. | Description | Notes |
|----------|--------------|------|--------------------|---------------------------------------|
| 1 | 3719 0017 00 | 1 | CRADLE | U4 MACHINED |
| 2 | 3719 0016 92 | 2 | RETAINER | |
| 3 | 3719 0016 93 | 1 | LEVER | |
| 4 | 3719 0016 94 | 1 | PIN | |
| 5 | 3719 0017 08 | 1 | PIN | |
| 6 | 3719 0017 09 | 1 | LOCK PLATE | |
| 7 | 3719 0000 28 | 4 | SLIDE BLOCK | |
| 8 | 3719 0000 29 | 8 | SLIDING PAD | |
| 9 | 3719 0000 31 | 4 | PIN | |
| 10 | 0226 9920 08 | 1 | LINK SCREW | M12 x 75 DIN 444 B |
| 11 | 0338 3500 01 | 1 | LOCK PLATE | |
| 12 | 0544 1100 12 | 1 | LUB. NIPPLE | H1 M10 X 1 |
| 13 | 0147 1244 03 | 1 | SCREW | M6x12 FZB M6S 6 x 12 |
| 14 | 0261 1099 22 | 4 | HEX. NUT | ML6M M27x2 FZB M27x2 H=13,5 DIN 439 B |
| 15 | 0266 7024 03 | 1 | HEX. NUT | M12 FZB TYP D M12 FZB |
| 16 | 0211 1244 03 | 2 | CAP SCREW | M6x12 FZB MC6S 6 x 12 8.8 FZB |
| 17 | 0211 1407 03 | 4 | CAP SCREW | M12x60 FZB MC6S 12 x 60 8.8 |
| 18 | 0101 1951 20 | 1 | PARALLEL PIN | 12 X 35 |

Rod holder assy

Gestängehalter / Rörhållare / Porte-tige / Freno de varillas / Freno / Retentor de varas

3719 0016 86



Rod holder assy

Gestängehalter / Rörhållare / Porte-tige / Freno de varillas / Freno / Retentor de varas

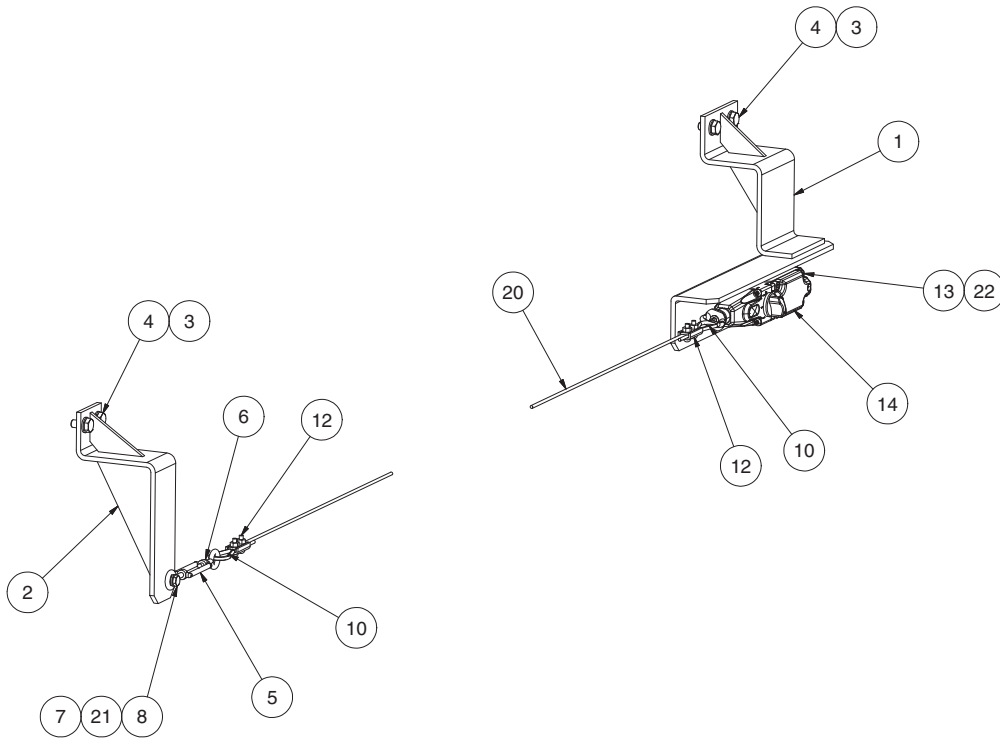
3719 0016 86

| Ref. No. | Part No. | Qty. | Description | Notes |
|----------|--------------|------|----------------------|-------------------------------------|
| 1 | 3719 0016 81 | 1 | HOUSING | |
| 2 | 3719 0016 82 | 1 | BACK COVER | |
| 3 | 3719 0016 83 | 1 | FRONT COVER | |
| 4 | 3719 0016 85 | 1 | MOUNTING FLANGE..... | |
| 5 | 3719 0017 32 | 1 | GAS SPRING | |
| 6 | 3719 0000 89 | 2 | JAW HOLDER | |
| 7 | 3719 0000 98 | 1 | END PLATE | |
| 8 | 3719 0001 38 | 1 | LOCKING PLATE | |
| 9 | 3719 0001 82 | 8 | SPACER..... | |
| 10 | 3719 0001 83 | 1 | CAP | |
| 11 | 3715 3617 00 | 1 | RH JAW..... | 65mm |
| 12 | 0211 1366 03 | 4 | CAP SCREW..... | MC6S 10 x 45 8.8 |
| 13 | 0211 1400 03 | 2 | CAP SCREW..... | M12x25 FZB MC6S 12 x 25 8.8 |
| 14 | 0211 1402 03 | 2 | CAP SCREW..... | MC6S 12 x 35 8.8 FZB |
| 15 | 0291 1128 23 | 4 | LOCK NUT | M12 8 fzb ISO 7043 |
| 16 | 0300 0274 13 | 12 | PLAIN WASHER | BRB 21 x 37 x 3 ISO 7089 |
| 17 | 0108 1296 00 | 4 | SPRING PIN | FRP 5 x 20 |
| 18 | 3719 0001 10 | 1 | RETAINER | |
| 19 | 3719 0001 84 | 2 | LINER | |
| 20 | 0544 1100 12 | 1 | LUB. NIPPLE | H1 M10 X 1 |
| 21 | 0211 1397 03 | 6 | CAP SCREW..... | M12x16 FZB MC6S 12 x 16 - 8.8 |
| 22 | 0211 1404 03 | 9 | CAP SCREW..... | MC6S 12 x 45 8.8 |
| 23 | 0211 1407 03 | 2 | CAP SCREW | M12x60 FZB MC6S 12 x 60 8.8 |
| 24 | 0291 1128 15 | 8 | LOCK NUT | M6 HÖG fzb ISO 7040 |
| 25 | 0301 2321 00 | 8 | WASHER | BRFB 6.4 x 12.5 x 1.5 |
| 26 | 0301 2358 00 | 4 | WASHER | BRB 13 x 24 x 2.5 |
| 27 | 0216 1957 69 | 8 | CAP SCREW..... | MF6S 6 x 30 10.9 FZB |
| 28 | 0502 1121 00 | 1 | BALL BEARING..... | 6021 2ZR FAG |
| 29 | 3719 0007 05 | 1 | SOCKET HOLDER | |
| 30 | 3715 6284 00 | 1 | GUIDE SOCKET | 57mm |
| 31 | 0335 2162 00 | 1 | CIRCLIP | SGH 85 DIN 472 |
| 32 | 0301 2386 00 | 8 | WASHER | BRB 19x34x3 FZB |
| 33 | 0291 1128 27 | 8 | LOCK NUT | M18 M6MF M18 FZB ISO 7043 |
| 34 | 3719 0000 97 | 4 | TIE ROD..... | |
| 35 | 0301 2344 00 | 4 | WASHER | BRB 10.5 x 20 x 2 |
| 36 | 3719 0026 93 | 1 | NOZZLE..... | 2mm JIC 3/4 UN 3/4, G 3/8, 2mm hole |
| 37 | 3176 3060 00 | 1 | ELBOW | UN 3/4" |
| 38 | 3176 5313 00 | 1 | CAP..... | UN 3/4"- 16 |

E-stop kit

Not-Aus-Schalter / Nödstop / Arrêt d'urgence / Parada de emergencia / Parada de emergência.

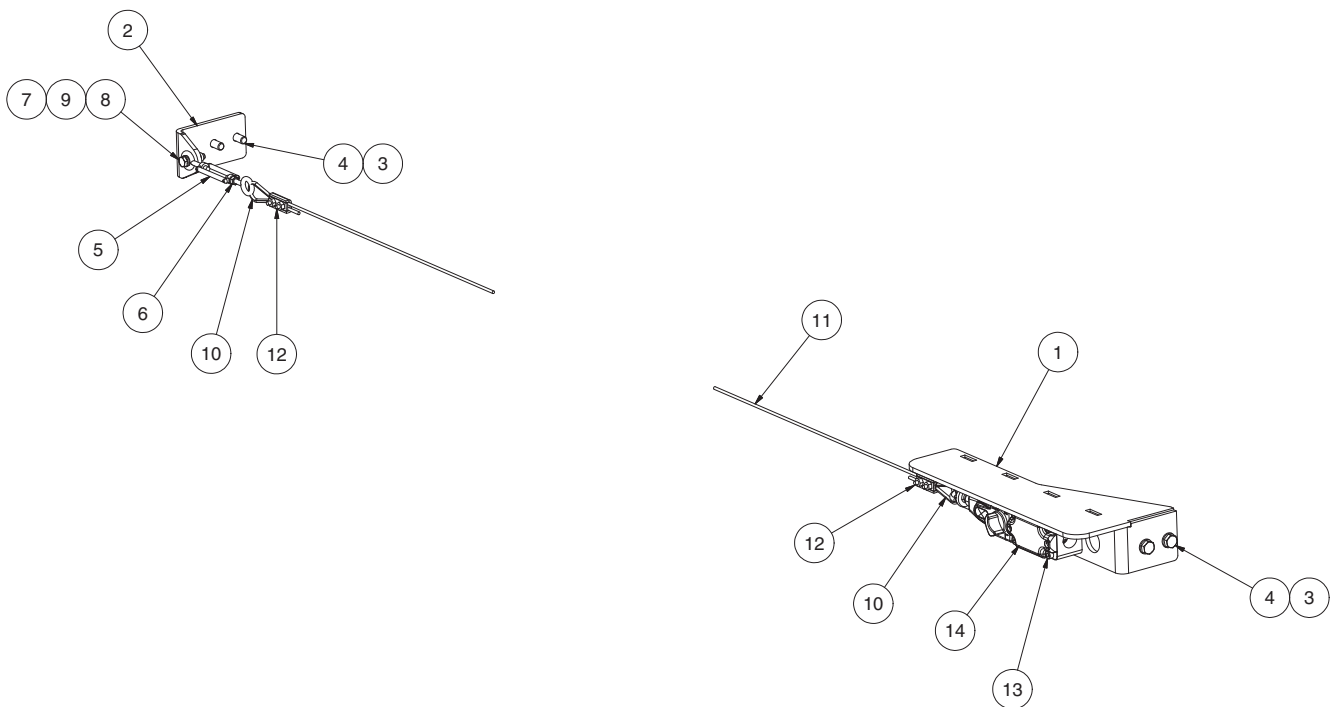
3719 0017 33



E-stop kit

Not-Aus-Schalter / Nödstop / Arrêt d'urgence / Parada de emergencia / Parada de emergência.

3719 0019 61



E-stop kit

Not-Aus-Schalter / Nödstop / Arrêt d'urgence / Parada de emergencia / Parada de emergência.

3719 0017 33

| Ref. No | Part Number | Qty. | Description | Notes |
|---------|--------------|------|------------------------------|----------------------------|
| 1 | 3719 0017 95 | 1 | REAR BRACKET E-STOP U4 | |
| 2 | 3719 0017 25 | 1 | E-STOP FRONT BRACKET | |
| 3 | 0301 2335 00 | 4 | WASHER | BRB 8.4 x 16 x 1.6 SS |
| 4 | 0147 1322 03 | 4 | SCREW | M8x16 FZB M6S 8 x 16 |
| 5 | 3716 5503 00 | 1 | TURN BUCKLE | |
| 6 | 0261 2107 00 | 1 | HEX. NUT | M5 FZB |
| 7 | 0291 1128 15 | 1 | LOCK NUT | M6 ISO 7040 |
| 8 | 0147 1249 03 | 1 | SCREW | M6x25 FZB M6S 6 x 25 |
| 10 | 3716 5504 00 | 2 | THIMBLE | |
| 11 | 3716 5501 00 | 3 | WIRE | |
| 12 | 3716 5502 00 | 2 | WIRE LOCK | |
| 13 | 0211 1214 03 | 4 | CAP SCREW | MC6S 5 x 45 |
| 14 | 3716 5500 00 | 1 | EMERGENCY STOP | |
| 21 | 0301 2321 00 | 2 | WASHER | BRFB 6.4 x 12.5 x 1.5 |
| 22 | 0291 1128 14 | 4 | LOCK NUT | M5 FZB M5 HÖG FZB ISO 7040 |

E-stop kit

Not-Aus-Schalter / Nödstop / Arrêt d'urgence / Parada de emergencia / Parada de emergência.

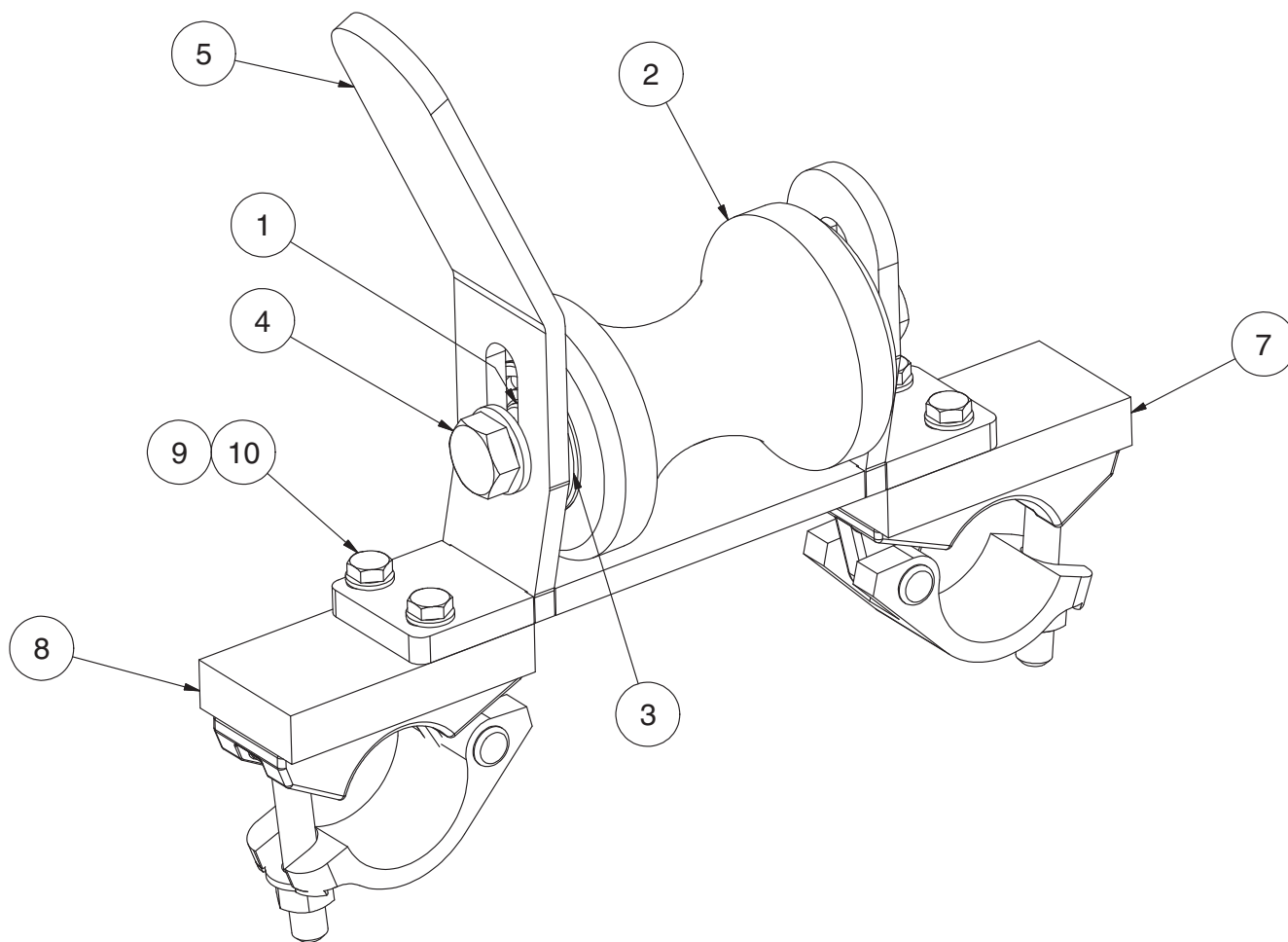
3719 0019 61

| Ref. No | Part Number | Qty. | Description | Notes |
|---------|--------------|------|-------------------------------|---------------------------|
| 1 | 3719 0019 59 | 1 | E-STOP BRACKET FRONT | |
| 2 | 3719 0019 60 | 1 | E-STOP BRACKET REAR, U4 | |
| 3 | 0301 2335 00 | 4 | WASHER | BRB 8.4 x 16 x 1.6 SS |
| 4 | 0147 1323 03 | 4 | SCREW | M8x20 FZB M6S 8 x 20 |
| 5 | 3716 5503 00 | 1 | TURN BUCKLE | |
| 6 | 0261 2107 00 | 1 | HEX. NUT | M5 FZB |
| 7 | 0291 1128 15 | 1 | LOCK NUT | M6 fzb ISO 7040 |
| 8 | 0147 1249 03 | 1 | SCREW | M6x25 FZB M6S 6 x 25 |
| 9 | 0301 2321 00 | 2 | WASHER | 6 BRFB 6.4 x 12.5 x 1.5 |
| 10 | 3716 5504 00 | 2 | THIMBLE | |
| 11 | 3716 5501 00 | 2 | WIRE | |
| 12 | 3716 5502 00 | 2 | WIRE LOCK | |
| 13 | 0211 1213 03 | 4 | CAP SCREW | M5x40 MC6S 5 X 40 8.8 FZB |
| 14 | 3716 5500 00 | 1 | EMERGENCY STOP | |

Rod pulley

Führungsrolle / Linrulle / Poulie à tiges / Guia de varillas / Retendor de varas

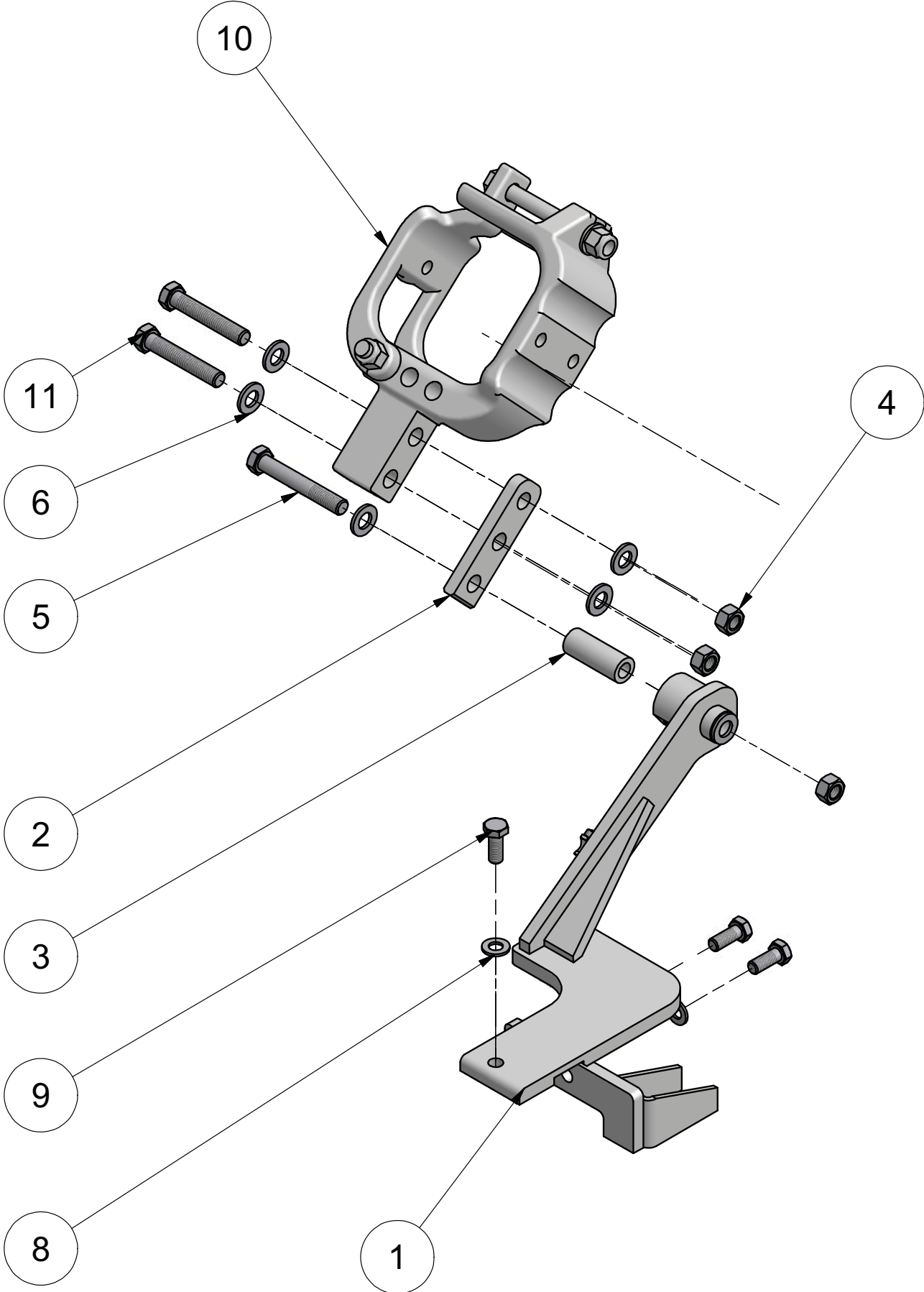
3719 0017 20



| Ref. No. | Part No. | Qty. | Description | Notes |
|----------|--------------|------|---------------------------------|------------------------|
| 1 | 3719 0017 97 | 1 | SHAFT FOR ROD PULLEY..... | |
| 2 | 3715 6341 00 | 1 | PULLEY..... | |
| 3 | 0502 2230 00 | 2 | BALL BEARING | 6205 2RS1/QE6 |
| 4 | 0147 1476 03 | 2 | SCREW | M16X35 FZB M6S 16 x 35 |
| 5 | 3719 0019 67 | 1 | ROD PULLEY BRACKET | |
| 6 | 0301 2178 01 | 2 | WASHER | BRB 17 x 30 x 3 |
| 7 | 3719 0017 80 | 1 | DISTANCE BRACKET ASSEMBLY | LEFT |
| 8 | 3719 0017 81 | 1 | DISTANCE BRACKET ASSEMBLY | RIGHT |
| 9 | 0301 2335 00 | 4 | WASHER | BRB 8.4 x 16 x 1.6 SS |
| 10 | 0147 1325 03 | 4 | SCREW | M8X25 FZB M6S 8 x 25 |

Support bracket assembly

3719 0017 02



Support bracket assembly

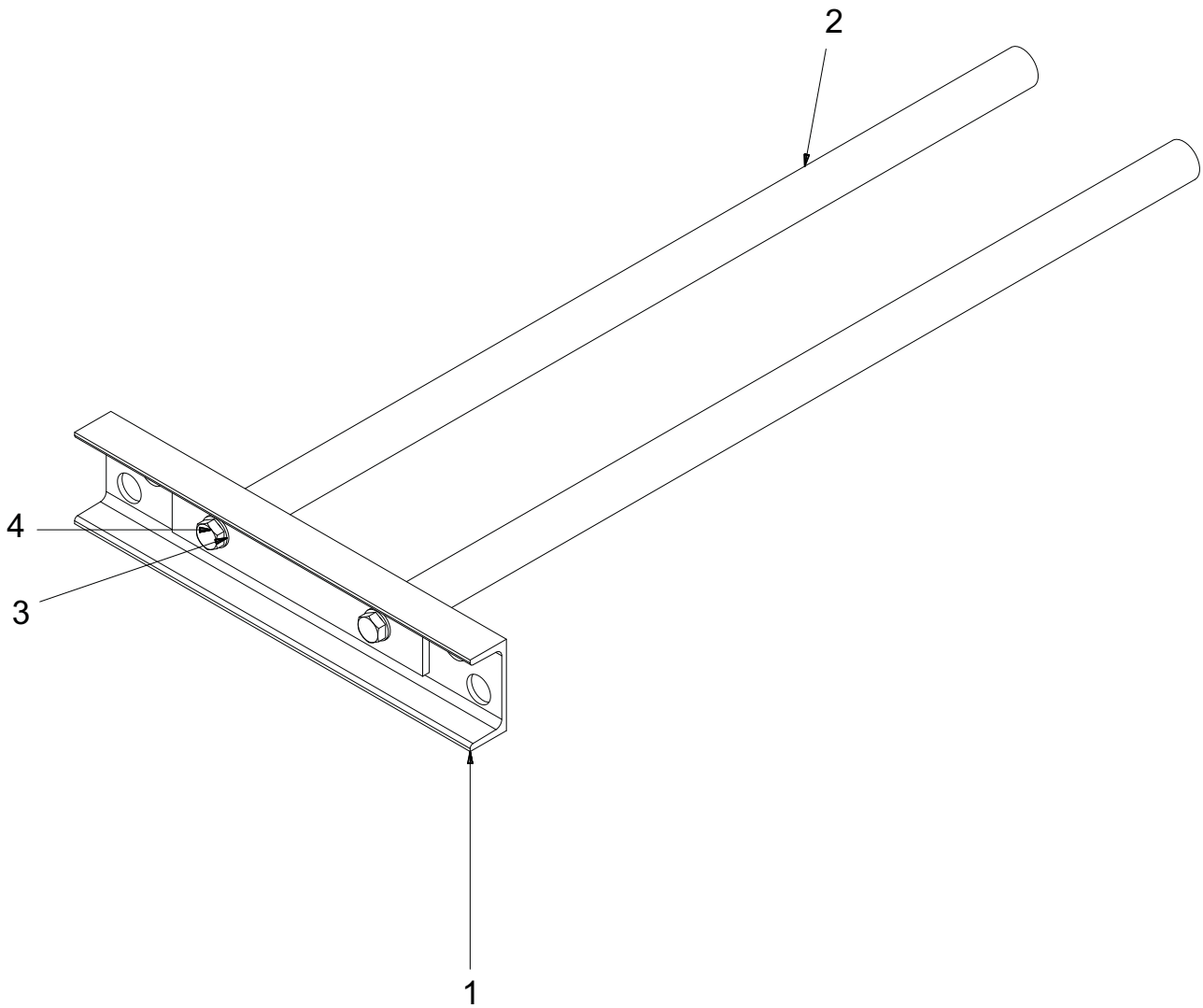
3719 0017 02

| Ref. No. | Part No. | Qty. | Description | Notes |
|----------|--------------|------|-----------------------|---------------------------------|
| 1 | 3719 0017 54 | 1 | SUPPORT BRACKET | |
| 2 | 3719 0017 56 | 1 | BRACKET | |
| 3 | 3719 0017 73 | 1 | TUBE | |
| 4 | 0291 1112 00 | 3 | LOCK NUT | M12 LM6M DIN 985 |
| 5 | 0147 1411 03 | 1 | SCREW | M12x80 FZB M6S 12 x 80 FZB |
| 6 | 0301 2164 00 | 6 | WASHER | BRB 13.5 x 24 x 2 FZB |
| 7 | 0544 1100 12 | 1 | LUB. NIPPLE | H1 M10 X 1 |
| 8 | 0301 2344 00 | 3 | WASHER | BRB 10.5 x 20 x 2 |
| 9 | 0147 1362 03 | 3 | SCREW | M10x25 FZB M6S 10 x 25 ISO 4017 |
| 10 | 3128 3062 56 | 1 | HOSE HOLDER | |
| 11 | 0147 1409 03 | 2 | SCREW | M12x70 FZB M6S 12 x 70 |

Standard wall bracket

Wandbefastigung / Bergfäste / Bride à scellement / Soporte de pare / Suporte de parede

3719 0017 44



Standard wall bracket

Wandbefastigung / Bergfäste / Bride à scellement / Soporte de pare / Suporte de parede

3719 0017 44

| Ref. No. | Part No. | Qty. | Description | Notes |
|----------|--------------|------|---------------------|------------------|
| 1 | 3719 0016 99 | 1 | WALL BRACKET | |
| 2 | 3715 6973 00 | 2 | EXTENSION LEG | |
| 3 | 0301 2193 00 | 2 | WASHER | BRB 21 x 34 x 3 |
| 4 | 0147 1552 03 | 2 | SCREW | M6S M20 x 55 FZB |

Rotation unit

Rotationseinheit / Rotationsenhet / Unité de rotation / Unidade de rotação / Testa di rotazione /

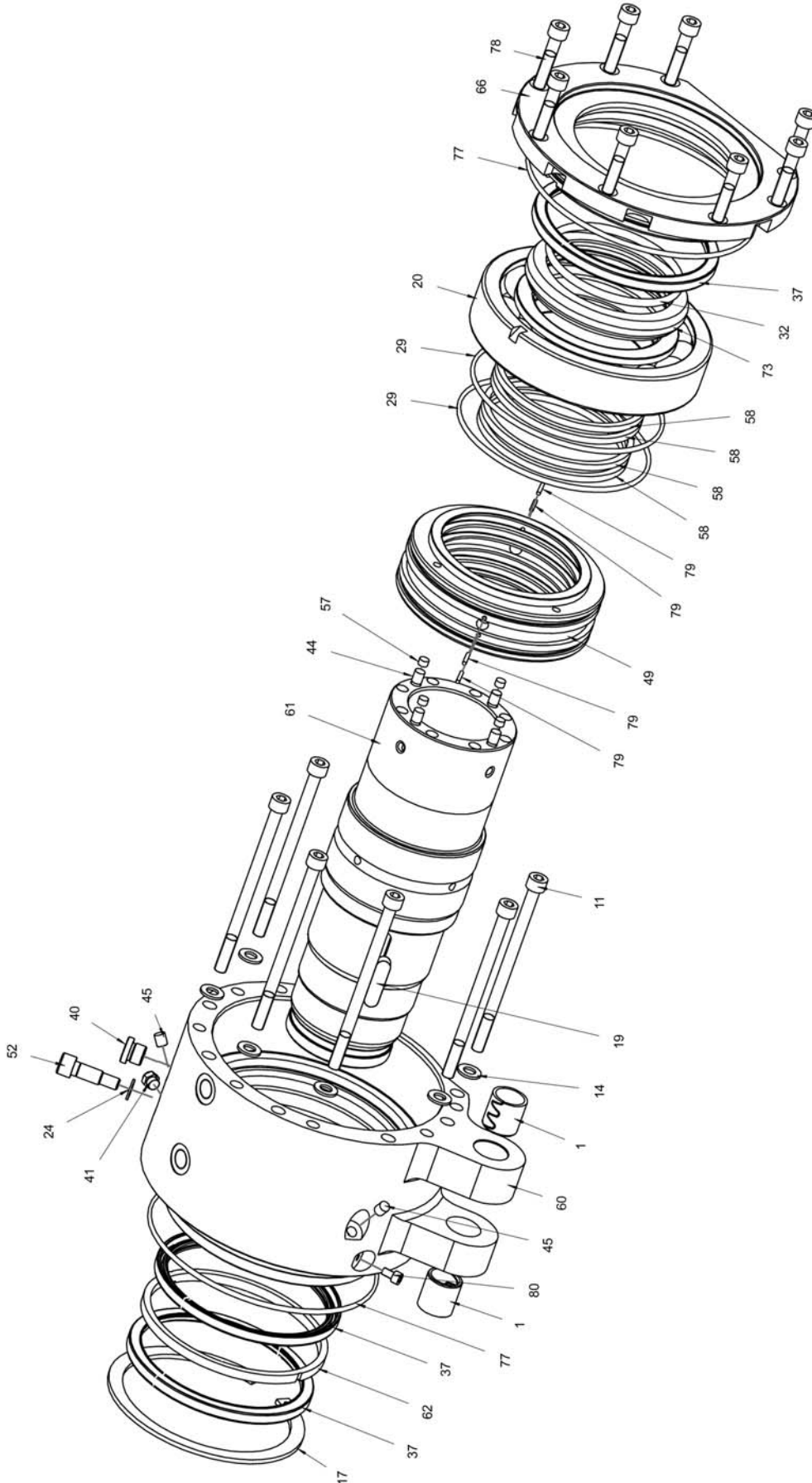
3719 0016 50

| Ref. No. | Part No. | Qty. | Description | Notes |
|----------|--------------|------|---------------------------|--------------------------------|
| 2 | 0211 1252 00 | 4 | CAP SCREW..... | MC6S 6 x 40 |
| 3 | 0211 1325 03 | 14 | CAP SCREW..... | MC6S 8 x 25 8.8 fzb |
| 4 | 0211 1364 03 | 8 | CAP SCREW..... | MC6S 10 x 35 8.8 |
| 5 | 0211 1403 03 | 4 | CAP SCREW..... | MC6S 12 x 40 8.8 |
| 9 | 0211 1962 89 | 1 | CAP SCREW..... | MC6S 12 X 30 12.9 |
| 10 | 0211 1965 18 | 1 | CAP SCREW..... | MC6S 10 X 100 10.9 |
| 12 | 0259 0059 00 | 7 | THREAD INSERT | HELICOIL M10 |
| 13 | 0259 0068 00 | 4 | THREAD INSERT | HELICOIL M12 |
| 15 | 0333 5200 09 | 1 | LOCK WASHER | NORDLOCK M12 x 25,4 X 3,4 |
| 16 | 0333 5200 10 | 1 | LOCK WASHER | NORDLOCK 10,3 x 21 x 2.6 |
| 18 | 0335 2157 00 | 1 | CIRCLIP..... | SGH 72 DIN 472 |
| 21 | 0504 0200 51 | 2 | BALL BEARING | 7306B.JP.UO |
| 22 | 0508 1101 04 | 1 | ROLLER BEARING | NU 1020 M1 C3, 100 X 150 X 24 |
| 23 | 0653 1100 00 | 2 | WASHER..... | 17 x 21 x 1.5 COPPER |
| 26 | 0663 2105 09 | 1 | O-RING | 25,3 X 2,4 |
| 27 | 0663 2109 16 | 1 | O-RING | 110 x 3,00 |
| 28 | 5533 9096 00 | 1 | O-RING | 117,07 x 3,53 75 shore viton |
| 31 | 5533 2738 00 | 2 | O-RING | 94,84 x 3,53 75 shore viton |
| 33 | 0663 6149 00 | 1 | O-RING | 124,5 x 3 |
| 34 | 0663 7153 00 | 1 | O-RING | 144,5 x 3 |
| 35 | 0663 9182 01 | 2 | O-RING | 24.99 x 3.53 90SH Nitrile |
| 36 | 0666 6000 61 | 1 | SEAL..... | 110 x 130 x 12 75 shore viton |
| 39 | 0666 8000 39 | 1 | V-RING | 102 x 90 x 15,5 65 shore viton |
| 40 | 0686 3718 01 | 2 | PLUG..... | G 3/8" ED VSTI R 3/8-ED |
| 42 | 3176 7868 06 | 1 | PLUG..... | 3/4-16 UNF |
| 43 | 3719 0005 32 | 2 | FLANGE | |
| 50 | 3719 0000 08 | 1 | WASHER..... | |
| 51 | 3719 0000 12 | 2 | LOCKING RING | |
| 53 | 3719 0000 15 | 1 | GUIDE COVER | |
| 55 | 3719 0002 02 | 2 | OIL LEVEL INDICATOR | |
| 56 | 3719 0003 59 | 1 | HYDRAULIC MOTOR..... | 60CC VARIABL |
| 59 | 3719 0016 53 | 1 | GEAR HOUSING | U4 ROT UNIT |
| 67 | 3719 0016 63 | 1 | GEAR WHEEL SHAFT | U4 |
| 68 | 3719 0016 64 | 1 | GEAR WHEEL..... | |
| 69 | 3719 0016 65 | 1 | PINION | |
| 70 | 3719 0016 66 | 1 | SHAFT..... | |
| 71 | 3719 0016 67 | 1 | SHAFT SUPPORT..... | |
| 72 | 3719 0016 68 | 1 | REAR FLANGE | |
| 74 | 3719 0016 71 | 1 | SPACER SLEEVE | |
| 75 | 3719 0016 73 | 2 | MAGNETIC PLUG | |
| 81 | 3719 0018 32 | 1 | FITTING KIT | (B) |
| 82 | 0686 3718 18 | 2 | PLUG..... | |

Rotation unit

Rotationseinheit / Rotationsenhet / Unité de rotation / Unidade de rotação / Testa di rotazione /

3719 0016 50



Rotation unit

Rotationseinheit / Rotationsenhet / Unité de rotation / Unidade de rotação / Testa di rotazione /

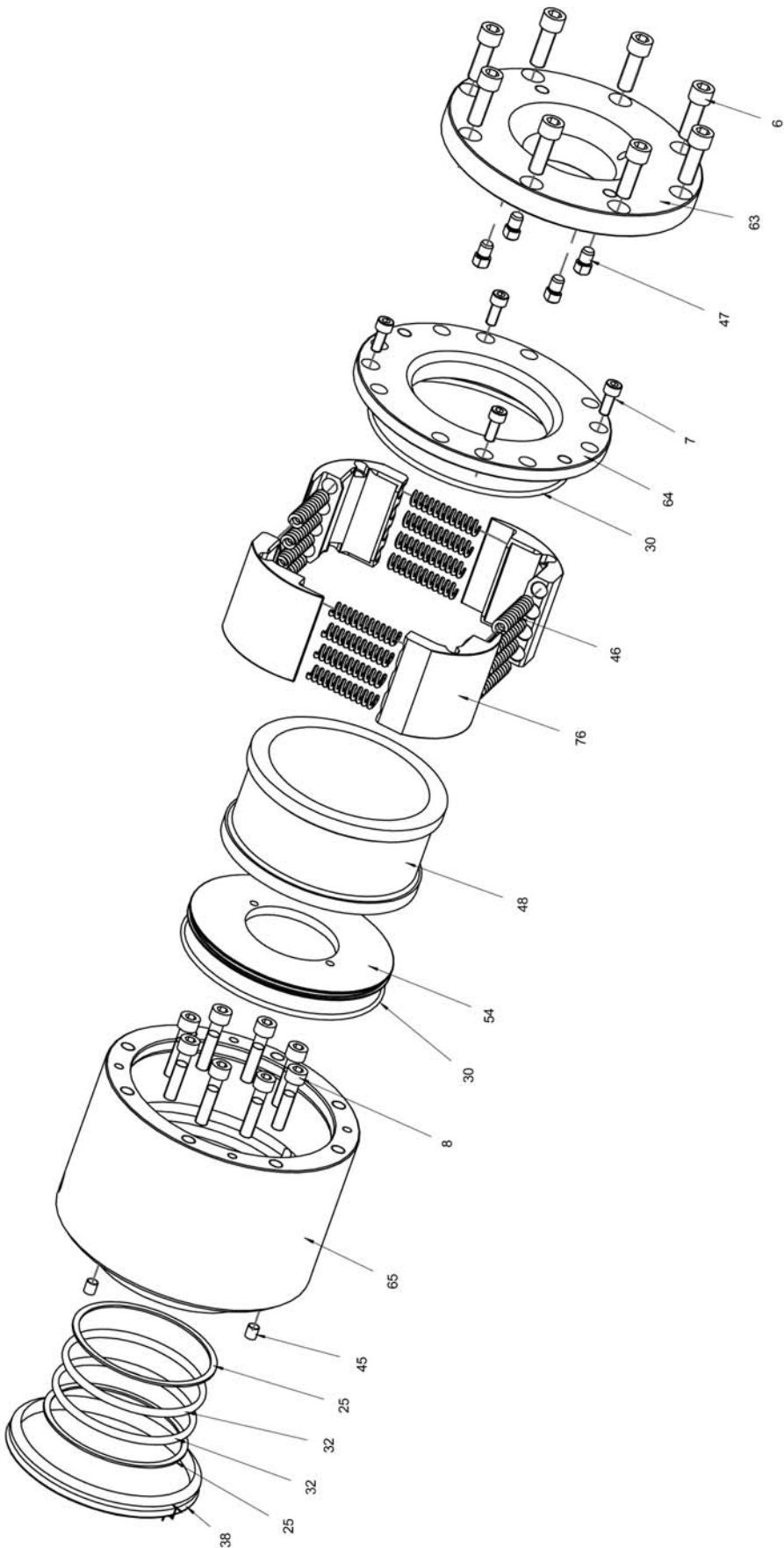
3719 0016 50

| Ref. No. | Part No. | Qty. | Description | Notes |
|----------|--------------|------|---------------------------|--------------------------------------|
| 1 | 0108 1691 91 | 2 | BUSHING | 25 X 30 X 30 STEEL |
| 11 | 0211 1965 19 | 7 | CAP SCREW | MC6S 10 X 160 10.9 |
| 14 | 0301 2344 00 | 7 | WASHER | BRB 10.5 x 20 x 2 |
| 17 | 0335 2102 14 | 1 | CIRCLIP FOR HOLE | SgH 165 ENL. SMS |
| 19 | 0337 7198 00 | 1 | PARALLEL KEY | 12 x 8 x 45 RK SMS 2306 DIN 6885A |
| 20 | 0502 5005 00 | 1 | BALL BEARING | QJ222 N2MA |
| 24 | 0661 1005 00 | 1 | SEAL WASHER | TREDO 112 |
| 29 | 0663 2109 63 | 2 | O-RING | 158,34 x 3,53 70SH |
| 32 | 0663 2149 00 | 3 | O-RING | 109.1 x 5.7 70 GR |
| 37 | 0666 6000 54 | 3 | SEAL | BABSL 160 x 140 x 10 75 shore viton |
| 40 | 0686 3718 01 | 2 | PLUG | G 3/8" ED VSTI R 3/8-ED |
| 41 | 0803 5012 02 | 1 | FILTER PLUG | 8145-00-180 (R 1/8") SINTERED BRONZE |
| 44 | 3715 3202 00 | 4 | PLUG | 8.4 X 10 |
| 45 | 3715 6508 00 | 4 | EXPANDING PLUG | |
| 49 | 3719 0000 04 | 1 | DISTRIBUTOR | A-N |
| 52 | 3719 0000 14 | 1 | LOCKING SCREW | |
| 57 | 3719 0009 73 | 4 | PLUG | |
| 58 | 3719 0015 06 | 4 | SEAL RING | A-N ROTATION |
| 60 | 3719 0016 54 | 1 | DISTRIBUTOR HOUSING | U4 ROT UNIT |
| 61 | 3719 0016 56 | 1 | SHAFT | A-N U4 |
| 62 | 3719 0016 57 | 1 | RING | |
| 66 | 3719 0016 62 | 1 | FRONT FLANGE | |
| 73 | 3719 0016 70 | 1 | SPACER RING | |
| 77 | 9126 6071 00 | 2 | O-RING | 190.09 x 3.53 |
| 78 | 0211 1367 03 | 8 | CAP SCREW | MC6S 10 x 50 8.8 |
| 79 | 0102 0951 25 | 4 | PARALLEL PIN | 3 x 18 ISO A2 |
| 80 | 3719 0005 44 | 1 | BREATHER PLUG | |

Rotation unit

Rotationseinheit / Rotationsenhet / Unité de rotation / Unidade de rotação / Testa di rotazione /

3719 0016 50



Rotation unit

Rotationseinheit / Rotationsenhet / Unité de rotation / Unidade de rotação / Testa di rotazione /

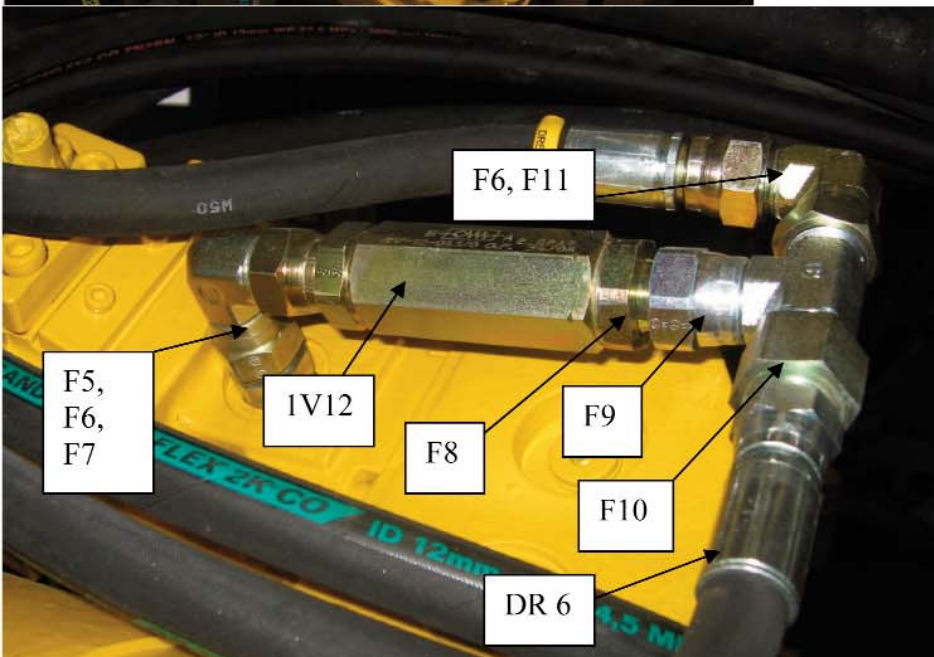
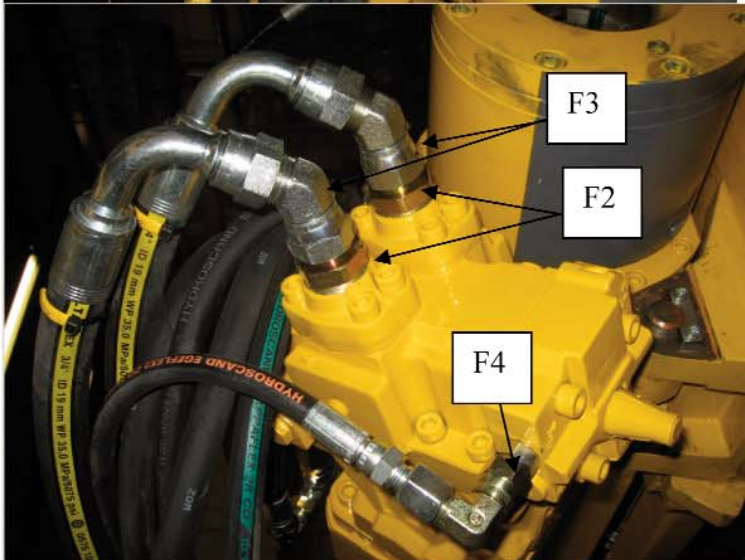
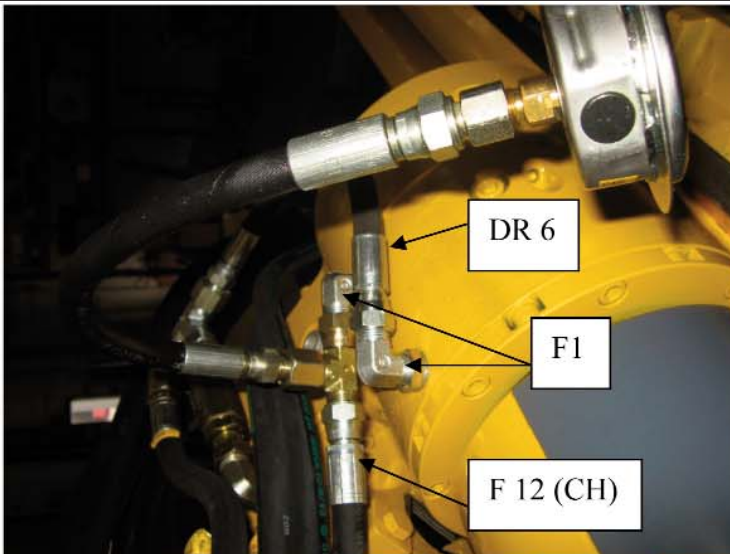
3719 0016 50

| Ref. No. | Part No. | Qty. | Description | Notes |
|----------|--------------|------|----------------------|----------------------|
| 6 | 0211 1960 84 | 8 | CAP SCREW | MC6S 12 x 35 12.9 |
| 7 | 0211 1962 81 | 4 | CAP SCREW | MC6S 8 X 20 12.9 |
| 8 | 0211 1962 97 | 8 | CAP SCREW | MC6S 10 X 45 12.9 |
| 25 | 0661 1567 00 | 2 | BACK-UP RING | PTFE 110 x 120 x 1.7 |
| 30 | 0663 2111 49 | 2 | O-RING | 160 x 3,55 |
| 32 | 0663 2149 00 | 3 | O-RING | 109.1 x 5.7 70 GR |
| 38 | 0666 8000 17 | 1 | V-RING | V-140S |
| 45 | 3715 6508 00 | 4 | EXPANDING PLUG | |
| 46 | 3715 8730 00 | 16 | SPRING | |
| 47 | 3716 5879 00 | 4 | GUIDE PIN | |
| 48 | 3716 6128 00 | 1 | RUBBER MUFF | |
| 54 | 3719 0000 19 | 1 | WEAR WASHER | |
| 63 | 3719 0016 58 | 1 | FLANGE | |
| 64 | 3719 0016 59 | 1 | INNER FLANGE | |
| 65 | 3719 0016 60 | 1 | CHUCK HOUSING | |
| 76 | 3719 0006 63 | 1 | JAW HOLDER SET. | (4 pcs) |

Rotation unit (Fitting Kit)

Rotationseinheit / Rotationsenhet / Unit  de rotation / Unidade de rota o / Testa di rotazione /

3719 0018 32



Rotation unit (Fitting Kit)

Rotationseinheit / Rotationsenhet / Unité de rotation / Unidade de rotação / Testa di rotazione /

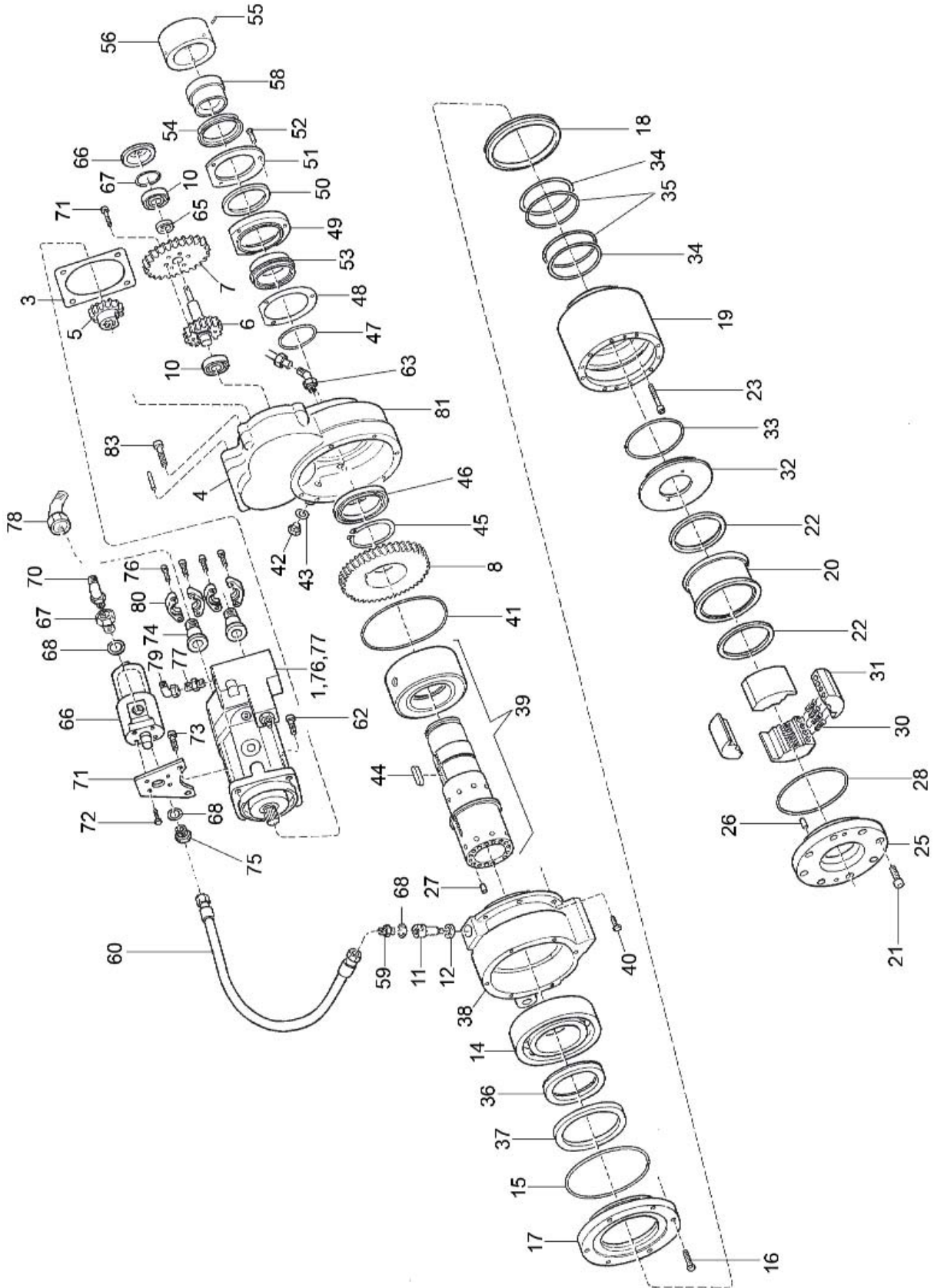
3719 0018 32

| Ref. No. | Part No. | Qty. | Description | Notes |
|----------|--------------|------|-------------------------|----------------------------|
| F1 | 3176 6344 00 | 2 | ELBOW | UN 3/4 x R 3/8 90GR |
| F2 | 3176 6517 00 | 2 | NIPPLE | R 1" x UN 1 1/16 |
| F3 | 3176 6550 00 | 2 | ELBOW | 1 1/16" x 1 1/16" |
| F4 | 3176 7319 00 | 1 | NIPPLE | M14 x 1.5-9/16UN |
| F5 | 3177 3054 00 | 1 | NIPPLE | M22 x 1.5-UN 7/8-14 |
| F6 | 3715 0585 00 | 2 | ELBOW | 90 GRAD. UN 7/8 U x UN 7/8 |
| F7 | 3176 8490 00 | 1 | NIPPLE | UN 7/8" x R 1/2" |
| F8 | 3176 6515 00 | 1 | NIPPLE | UN 7/8 x R 1/2 |
| F9 | 3176 6036 00 | 1 | TEE | UN 7/8 x UN 7/8 |
| DR6 | 0574 0071 33 | 1 | HOSE | 3/8" L=350 |
| F10 | 3176 7336 00 | 1 | NIPPLE | UN 3/4 x 7/8 |
| F11 | 3715 0597 00 | 1 | CAP | UN 7/8"-14 |
| F12 | 3176 5313 00 | 1 | CAP | UN 3/4"- 16 |
| 1V12 | 3742 1278 00 | 1 | COUNT.PRESS.VALVE | |

Rotation unit

Rotationseinheit / Rotationsenhet / Unité de rotation / Cabeza de rotación / Testa di rotazione / Unidade de rotação

3715 3878 84



Rotation unit

Rotationseinheit / Rotationsenhet / Unité de rotation / Cabeza de rotación / Testa di rotazione / Unidade de rotação

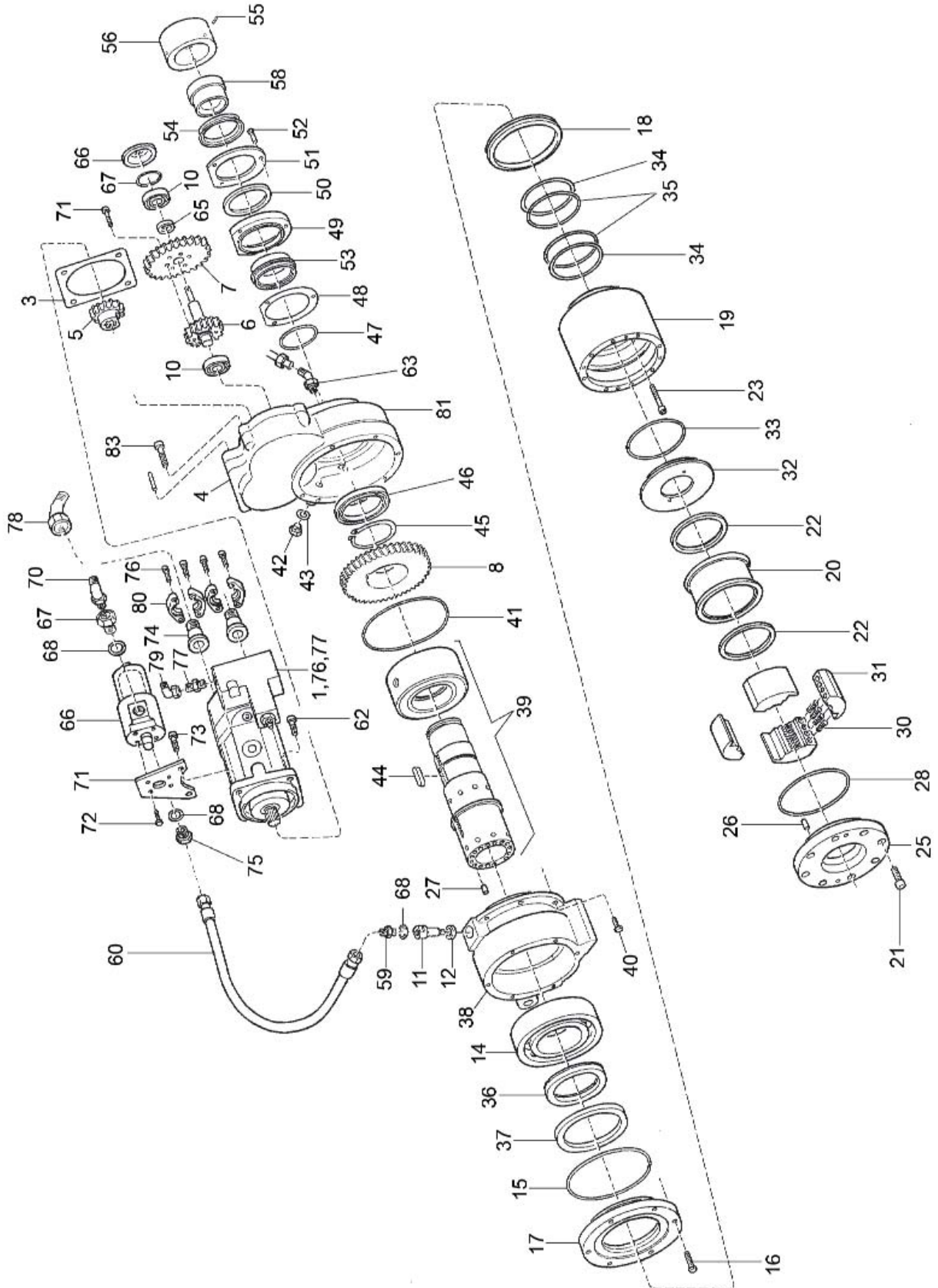
3715 3878 84

| Ref. No. | Part No. | Qty. | Description | Notes |
|----------|--------------|------|---------------------------------|------------------------|
| 1 | 3716 5787 00 | 1 | Hydraulic motor | |
| 3 | 3716 2528 00 | 1 | Packing..... | |
| 4 | 3716 2173 00 | 1 | Housing..... | |
| 5 | 3716 2080 00 | 1 | Gear..... | |
| 6 | 3716 2162 00 | 1 | Gear..... | |
| 7 | 3715 2161 00 | 1 | Gear..... | |
| 8 | 3716 2163 00 | 1 | Gear..... | |
| 10 | 0502 3104 00 | 2 | Bearing..... | 6304 |
| 11 | 3715 3159 00 | 1 | Pressure pipe..... | |
| 12 | 0667 1148 00 | 1 | U-packing..... | 20x30x8 |
| 14 | 0502 5005 00 | 1 | Bearing..... | QJ222 N2MA |
| 15 | 0663 6158 00 | 1 | O-ring | 169,3x5,7 |
| 16 | 0147 1326 03 | 6 | Screw | M6S 8x30 |
| 17 | 3715 3875 00 | 1 | Cover..... | |
| 18 | 0666 8000 17 | 1 | V-ring | |
| 19 | 3715 8723 00 | 1 | Chuck housing..... | |
| 20 | 3716 1528 00 | 1 | Rubber sleeve..... | |
| 21 | 0211 1400 00 | 8 | Screw | MC6S 12x25 |
| 22 | 3716 1529 00 | 2 | Support ring | |
| 23 | 0211 1366 00 | 8 | Screw | MC6S 10x4 |
| 25 | 3716 1399 00 | 1 | Cover | |
| 26 | 3716 6198 00 | 4 | Pin | CPK10M6x22 |
| 28 | 0663 6156 00 | 1 | O-ring | 159,3x5,7 |
| 30 | 3715 8730 00 | 16 | Spring | |
| 31 | 3716 1415 09 | 4 | Chuck jaw, 76 mm (B) | |
| 32 | 3715 8727 00 | 1 | Wear washer | |
| 33 | 0663 2154 00 | 1 | O-ring | 134,3x5,7 |
| 34 | 0661 1567 00 | 2 | Support ring | 110x120x1,7 |
| 35 | 0663 2149 00 | 2 | O-ring | 109,1x5,7 |
| 36 | 3715 3874 00 | 1 | Wear ring | |
| 37 | 0666 7208 01 | 1 | Seal ring..... | 140x170x15 |
| 38 | 3715 3878 00 | 1 | Housing..... | |
| 39 | 3715 3877 80 | 1 | Distributor..... | |
| 40 | 0147 1325 03 | 6 | Screw | M6S 8x25 |
| 41 | 0663 6164 00 | 1 | O-ring | 199,3x5, |
| 42 | 3715 8807 00 | 1 | Plug | UN 3/4x16 |
| 43 | 0661 1029 00 | 1 | Seal ring..... | Tredo 118 |
| 44 | 0337 7199 00 | 1 | Key | |
| 45 | 0335 1165 00 | 1 | Circlip | SGA 90 |
| 46 | 3715 8258 00 | 1 | Needle bearing..... | NK1 90/26 |
| 47 | 0663 6141 00 | 1 | O-ring | 84,5x3 |
| 48 | 3715 3373 00 | 1 | Packing | |
| 49 | 3715 3873 00 | 1 | Support ring | |
| 50 | 0666 6000 22 | 1 | Seal ring..... | 90x110x7,5 |
| 51 | 3715 3867 00 | 1 | Lock..... | |
| 52 | 0147 1249 03 | 3 | Screw | M6S 6x25 |
| 53 | 3715 3872 00 | 1 | Wear ring..... | |
| 54 | 3715 3042 00 | 1 | V-ring | V-90 |
| 55 | 0192 1321 00 | 3 | Screw | T6SS 8x14 |
| 56 | 3715 8998 00 | 1 | Guide cover | |
| 58 | 3715 8259 00 | 1 | Guide, (S)..... | Ø 78,5 mm |
| 59 | 3176 6512 00 | 1 | Nipple..... | R3/8-UN3/4 |
| 60 | 0574 1253 11 | 1 | Hose, L=300 mm | L=300mm, 10xR2, 3/4-16 |
| 62 | 0211 1402 00 | 2 | Screw | MC6S 12x35 |
| 63 | 3176 6554 00 | 1 | Elbow, 45°..... | UN7/8xR1/2 |
| 65 | 3715 7740 00 | 1 | Distance | |
| 66 | 3716 2174 00 | 1 | Lock..... | |
| 67 | 0663 9150 01 | 1 | O-ring | 45,2x3 |
| 68 | 0300 8011 00 | 3 | Washer | 12,5x35x3 |
| 69 | 0147 1400 03 | 1 | Screw | M6S 12x25 |
| 70 | 3715 7749 00 | 1 | Lock plate..... | |
| 71 | 0211 1364 00 | 6 | Screw | MC6S 10X35 |
| 73 | 3176 3060 00 | 1 | Elbow | UN 3/4 |
| 74 | 3715 8558 00 | 1 | Filter compl..... | |
| | 3715 8558 90 | 1 | Filter insert incl. O-ring..... | |
| 79 | 3716 1798 00 | 1 | Bracket | |
| 80 | 0211 1245 00 | 4 | Screw | MC6S 6x14 |
| 81 | 3715 8711 00 | 1 | Packing..... | |
| 83 | 0211 1403 00 | 1 | Screw | MC6S 12x40 |
| 85 | 3715 3202 00 | 8 | Key | |
| 86 | 0211 1404 00 | 8 | Screw | MC6S 12x45 |

Rotation unit

Rotationseinheit / Rotationsenhet / Unité de rotation / Cabeza de rotación / Testa di rotazione / Unidade de rotação

3715 3878 84

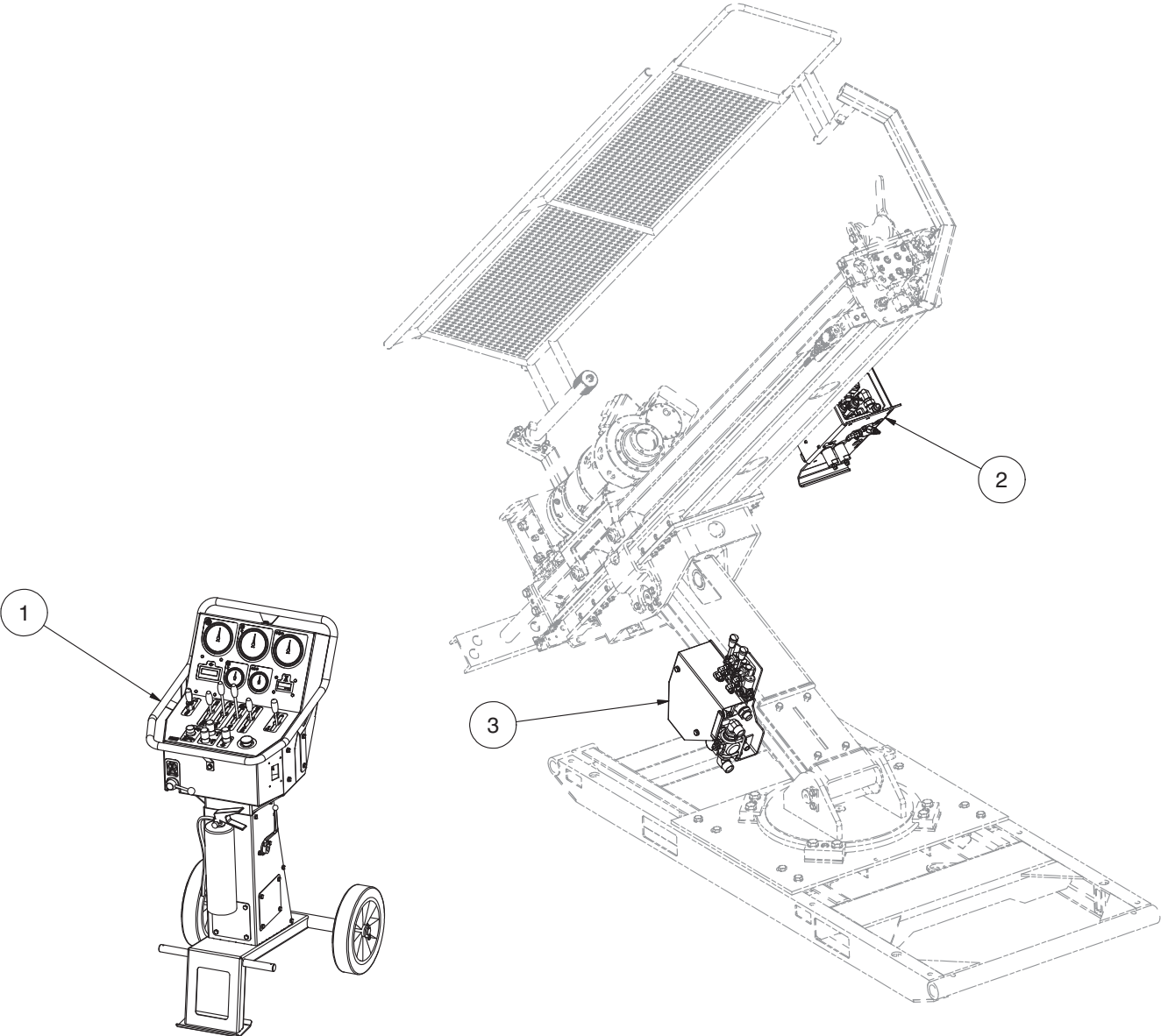


Rotation unit

Rotationseinheit / Rotationsenhet / Unité de rotation / Cabeza de rotación / Testa di rotazione / Unidade de rotação

3715 3878 84

| Ref. No. | Part No. | Qty. | Description | Notes |
|----------|---------------------|----------|-------------------------------|-------------------------|
| | 3715 8997 80 | 1 | Needle valve compl. (B) | |
| 91 | 0211 1409 00 | 1 | Screw..... | MC6S 12x70 |
| 95 | 3716 5664 00 | 1 | O-ring | |
| | 3716 2508 91 | 1 | Hose set | |
| 59 | 3176 6512 00 | 1 | - Nipple..... | R3/8-UN3/4 |
| 60 | 0574 1253 11 | 1 | - Hose, L=300 mm | L=300 mm, 10xR2. 3/4-16 |
| 75 | 0605 8823 00 | 2 | - Bushing..... | Typ 3 |
| 76 | 0661 1038 00 | 2 | - Seal ring..... | Tredo 20 |
| 78 | 3176 6344 00 | 2 | - Elbow. 90° | UN3/8xR3/8 |
| 83 | 0211 1403 00 | 3 | - Screw | MC6S 12x40 |
| 84 | 3716 2509 00 | 2 | - Nipple | |
| 87 | 3176 7319 00 | 1 | - Nipple..... | M14x1,5-9/16U |
| 88 | 3176 6550 00 | 2 | - Elbow | 1 1/16x 1 1/16 |
| 89 | 3715 0584 00 | 1 | - Nipple..... | UN9/16xUN9/16 |



DHC Control System

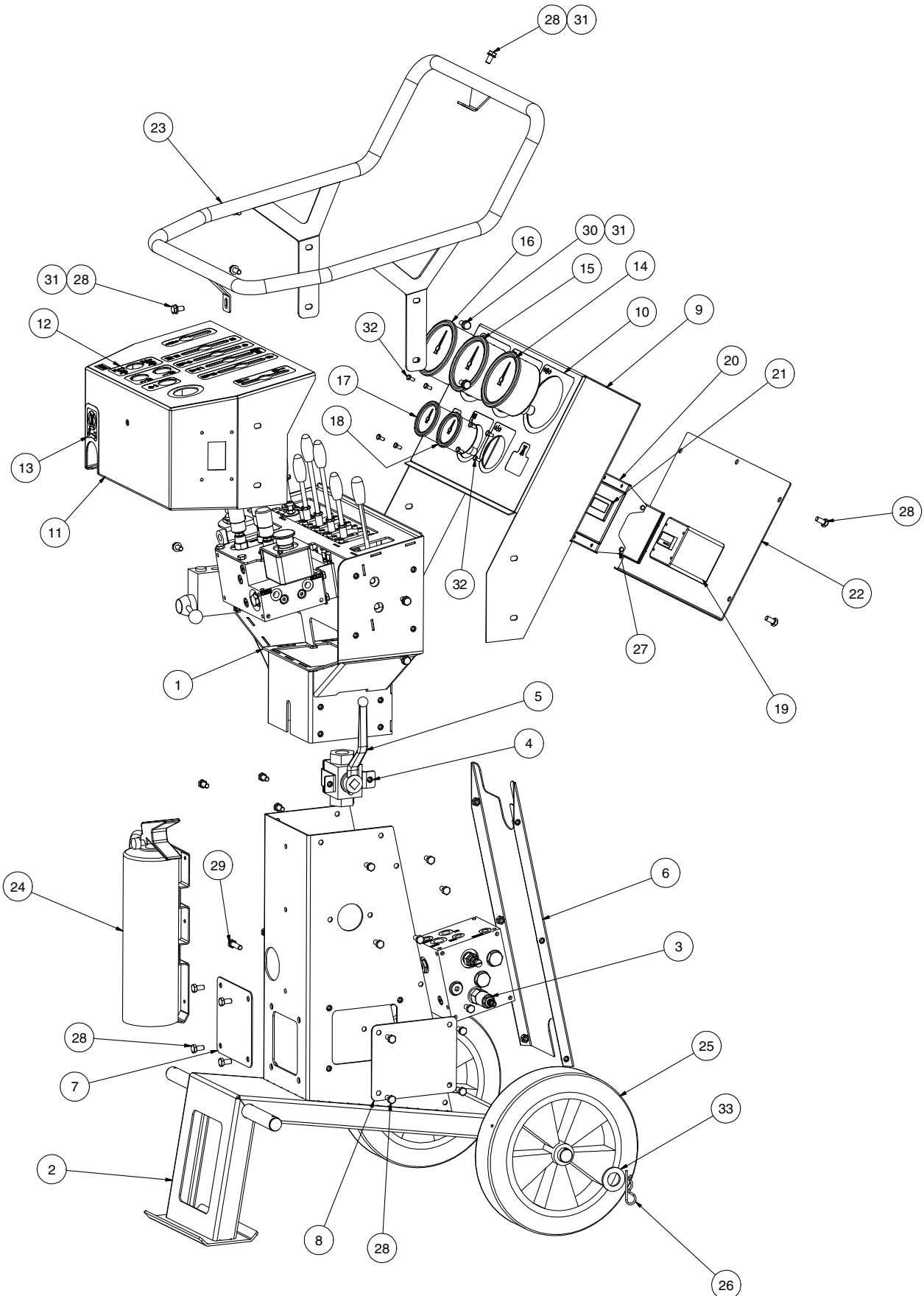
3719 0017 05

| Ref. No. | Part No. | Qty. | Description | Notes |
|----------|--------------|------|------------------------------|------------------|
| 1 | 3719 0018 62 | 1 | CONTROL PANEL, U4 | (B) |
| 2 | 3719 0019 00 | 1 | VALVE ASSY, | (B) |
| 3 | 3719 0018 94 | 1 | WATER SYSTEM ASSY. | (B) |
| 4 | 3719 0018 38 | 1 | PU - RIG HOSE KIT | (B) |
| 5 | 3719 0047 11 | 1 | PLUG KIT U4 RIG HOSE KIT,DHC | |
| 6 | 3716 2761 00 | 6 | HOSE PROTECTION | L=1000, 75MM. |
| 7 | 3176 3681 00 | 25 | HOSE STRIP | L = 500 MM BLACK |
| 8 | 3719 0017 35 | 1 | HYDRAULIC SCHEMATIC U4 . . . | (B) |

Control panel

Schalttafel / Manöverpanel / Tableau de commande / Panel de mandos / Pannello di controllo / Painel de comando

3719 0018 62



Control panel

Schaltpult / Manöverpanel / Tableau de commande / Panel de mandos / Pannello di controllo / Painel de comando

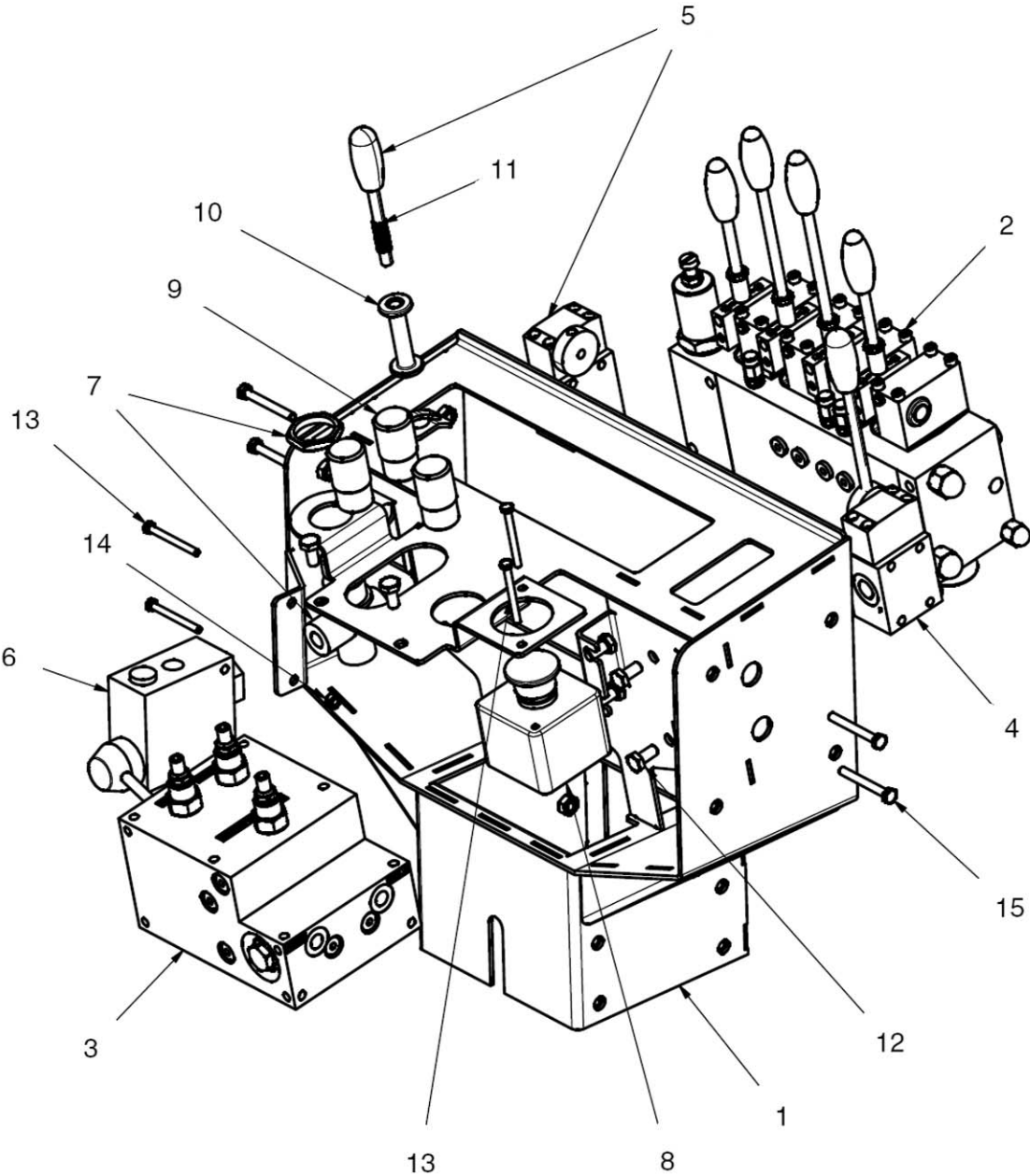
3719 0018 62

| Ref. No. | Part No. | Qty. | Description | Notes |
|----------|--------------|------|---------------------------------|-----------------------|
| 1 | 3719 0018 27 | 1 | CONTROL PANEL ASSY..... | (B) |
| 2 | 3719 0018 24 | 1 | STAND | |
| 3 | 3719 0018 07 | 1 | VALVEBLOCK, LOGIC U4 | (B) |
| 4 | 3719 0018 21 | 1 | STAND VALVE BRACKET | |
| 5 | 3719 0011 98 | 1 | BALL VALVE | 3/4" |
| 6 | 3719 0018 22 | 1 | STAND REAR LID | |
| 7 | 3719 0018 26 | 1 | STAND FRONT LID | |
| 8 | 3719 0018 25 | 1 | STAND LEFT LID | |
| 9 | 3719 0018 19 | 1 | BACK COVER, CTRL PANEL | |
| 10 | 3719 0018 81 | 1 | GAUGE STICKER DIAMEC U4 | |
| 11 | 3719 0018 20 | 1 | FRONT COVER, CTRL PANEL | |
| 12 | 3719 0018 80 | 1 | FUNCTION STICKER DIAMEC U4..... | |
| 13 | 3719 0018 82 | 1 | DRILL WATER STICKER DIAMEC U4 | |
| 14 | 3716 3505 00 | 1 | PRESSURE GAUGE..... | D100 160bar |
| 15 | 3719 0017 34 | 1 | PRESSURE GAUGE | DIA 100 52 kN |
| 16 | 3176 6023 00 | 1 | PRESSURE GAUGE..... | D100 400 bar |
| 17 | 3719 0018 73 | 1 | PRESSURE GAUGE | DIA 63 52 KN |
| 18 | 3716 2090 00 | 1 | PRESSURE GAUGE | D63 400bar |
| 19 | 3719 0030 68 | 1 | FLOW METER | |
| 20 | 3719 0029 89 | 1 | BRACKET | |
| 21 | 3716 6061 00 | 1 | TACHOMETER | DT900000 |
| 22 | 3719 0018 23 | 1 | BACK COVER LID | |
| 23 | 3719 0018 42 | 1 | CONTROL PANEL BAR | |
| 24 | 3716 5571 90 | 1 | FIRE EXTINGUISHER | 2 KG |
| 25 | 3719 0018 83 | 2 | WHEEL | 300MM, 25 MM HUB |
| 26 | 0111 1686 05 | 2 | LOCKING CLIP | 3 mm HNS |
| 27 | 0147 1170 03 | 4 | SCREW | M6S 4 x 10 |
| 28 | 0147 1322 03 | 31 | SCREW | M6S 8 x 16 |
| 29 | 0147 1326 03 | 4 | SCREW | M6S 8 x 30 |
| 30 | 0147 1323 03 | 4 | SCREW | M6S 8 x 20 |
| 31 | 0301 2335 00 | 10 | WASHER | BRB 8.4 x 16 x 1.6 SS |
| 32 | 0147 1204 03 | 8 | SCREW..... | M6S 5x10 |
| 33 | 0301 2405 00 | 2 | WASHER | BRB 25 x 45 x 4 |

Control panel valve assy

Ventilblock / Bloc de distributeurs / Conjunto de válvulas / Blocco distributore / Bloco de válvulas

3719 0018 27



Control panel valve assy

Ventilblock / Bloc de distributeurs / Conjunto de válvulas / Blocco distributore / Bloco de válvulas

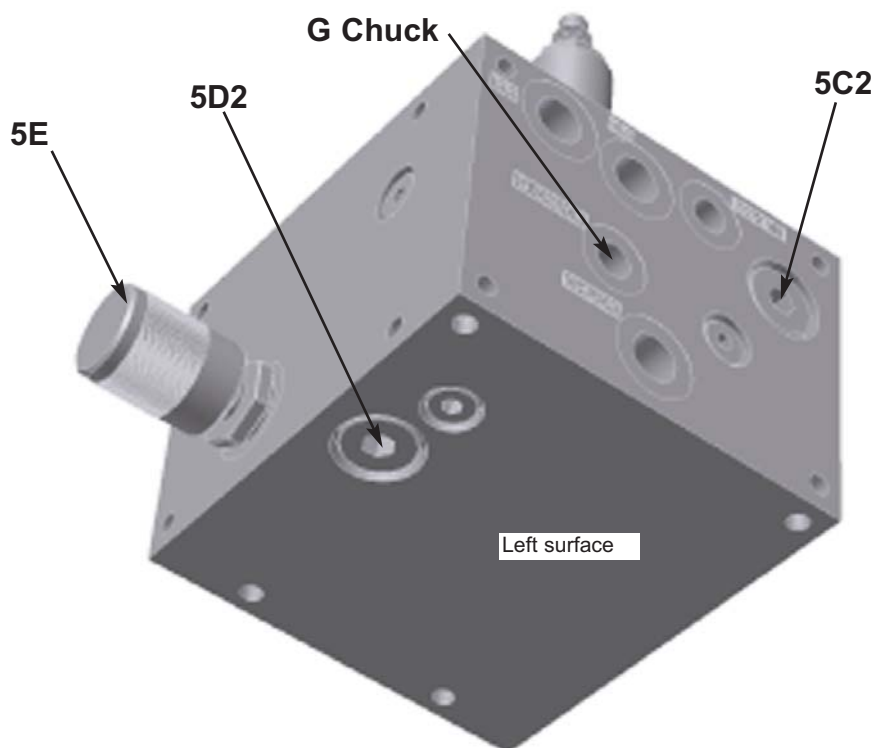
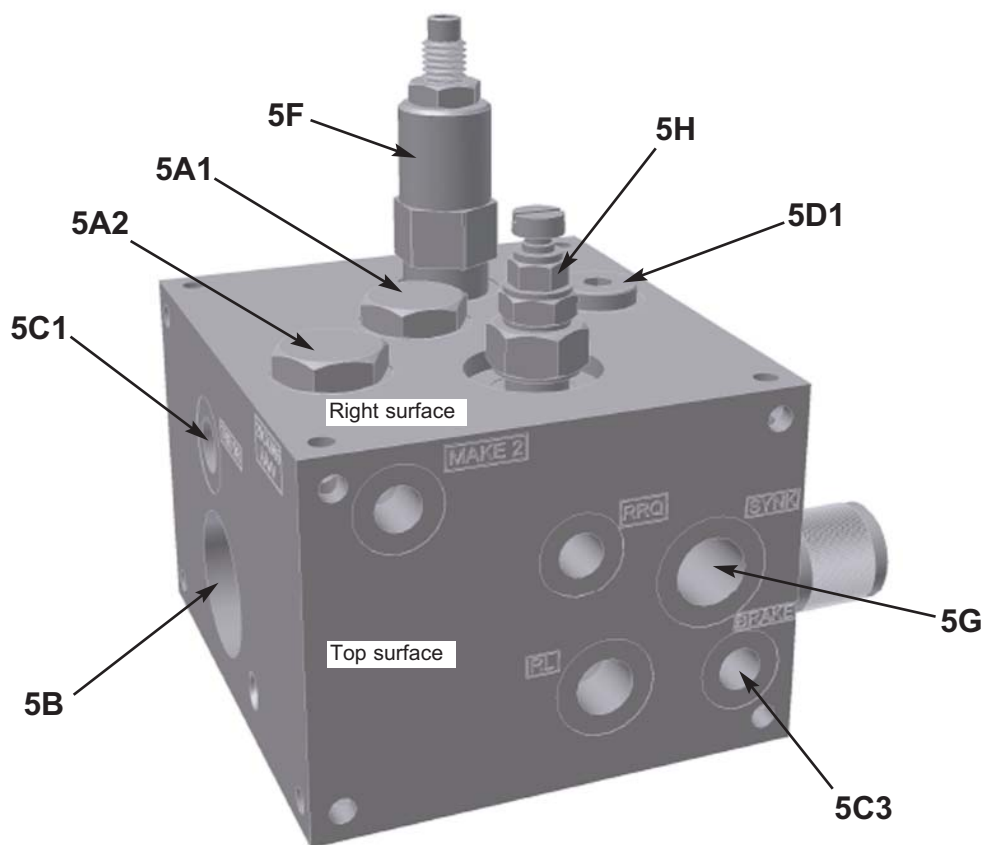
3719 0018 27

| Ref. No. | Part No. | Qty. | Description | Notes |
|----------|--------------|------|-------------------------------------|------------------|
| 1 | 3719 0018 18 | 1 | CONTROL PANEL CHASSIS..... | |
| 2 | 3719 0017 15 | 1 | VALVEBLOCK, MAIN U4, PROP. (B) | |
| 3 | 3719 0018 05 | 1 | VALVEBLOCK, FEED/DRILL U4 (B) | |
| 4 | 3719 0017 16 | 1 | VALVE, 4/3 SPOOL, SYNC..... | |
| - | 3719 0007 92 | 1 | PACKING KIT | |
| - | 3718 0405 85 | 1 | LEVER..... | Hawe VALVE lever |
| 5 | 3719 0018 11 | 1 | VALVE, 3/2 SPOOL, RH OPEN | |
| - | 3719 0007 92 | 1 | PACKING KIT | |
| - | 3718 0405 85 | 1 | LEVER..... | Hawe VALVE lever |
| 6 | 3719 0002 35 | 1 | VALVE, PRESSURE COMP FLOW CTRL | |
| 7 | 6990 0528 86 | 1 | VALVE, GAUGE ACTIVATOR | MA 1 A1.1 |
| 8 | 3716 5564 00 | 1 | EMERGENCY STOP..... | |
| 9 | 3716 3639 00 | 3 | KNOB..... | |
| 10 | 3719 0018 43 | 1 | LOCKING SLEEVE | |
| 11 | 3718 0005 42 | 1 | SPRING | |
| 12 | 0147 1320 03 | 10 | SCREW | M6S 8 x 12 |
| 13 | 0147 1215 03 | 4 | SCREW | M6S 5 x 50 |
| 14 | 0291 1128 15 | 2 | LOCK NUT | M6 fzb ISO 7040 |
| 15 | 0147 1254 03 | 4 | SCREW | M6S 6 x 50 FZB |

Valve block, sync assy

Ventilblock / Bloc de distributeurs / Conjunto de válvulas / Blocco distributore / Bloco de válvulas

3719 0018 07

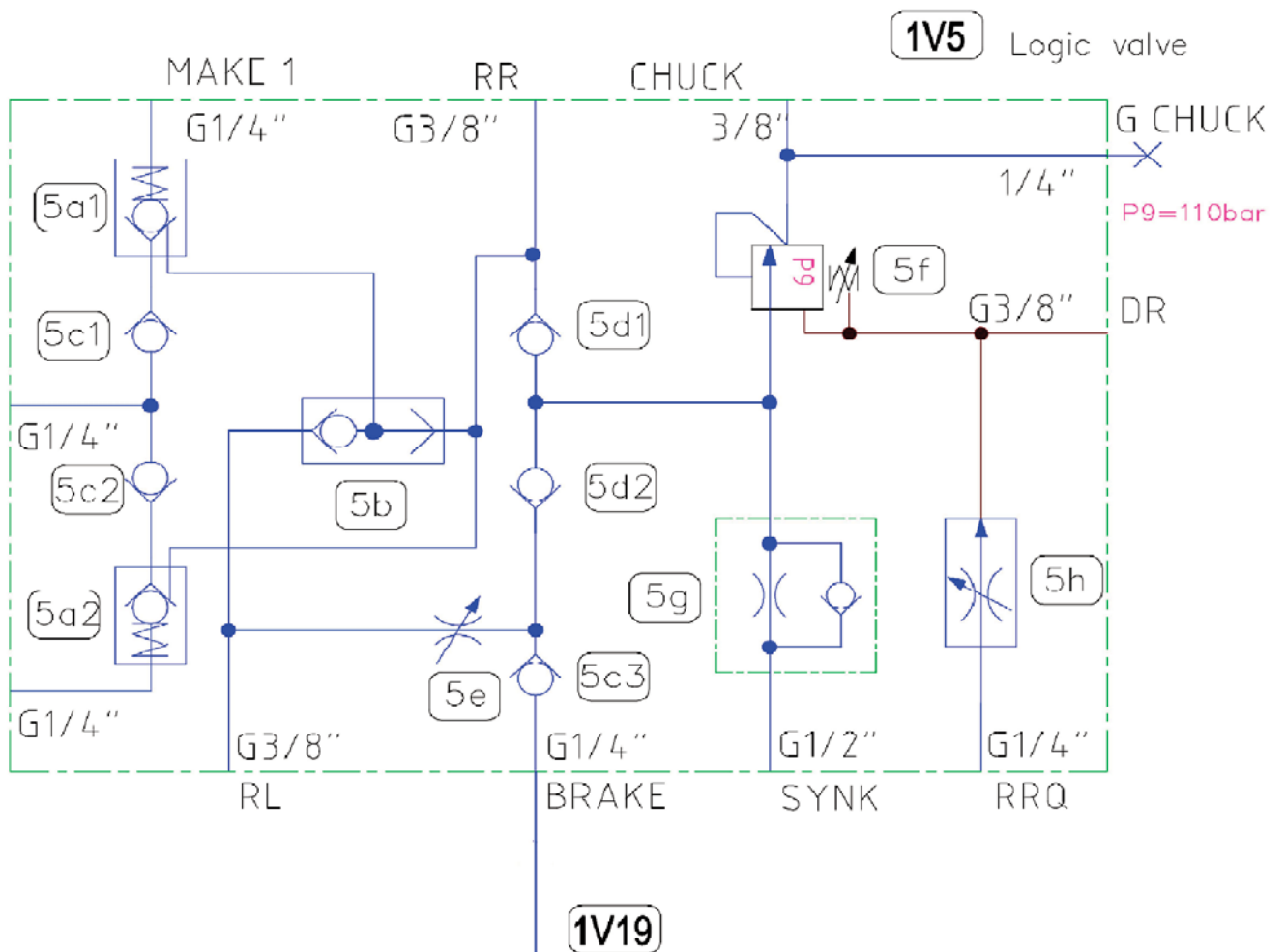


Valve block, sync assy

Ventilblock / Bloc de distributeurs / Conjunto de válvulas / Blocco distributore / Bloco de válvulas

3719 0018 07

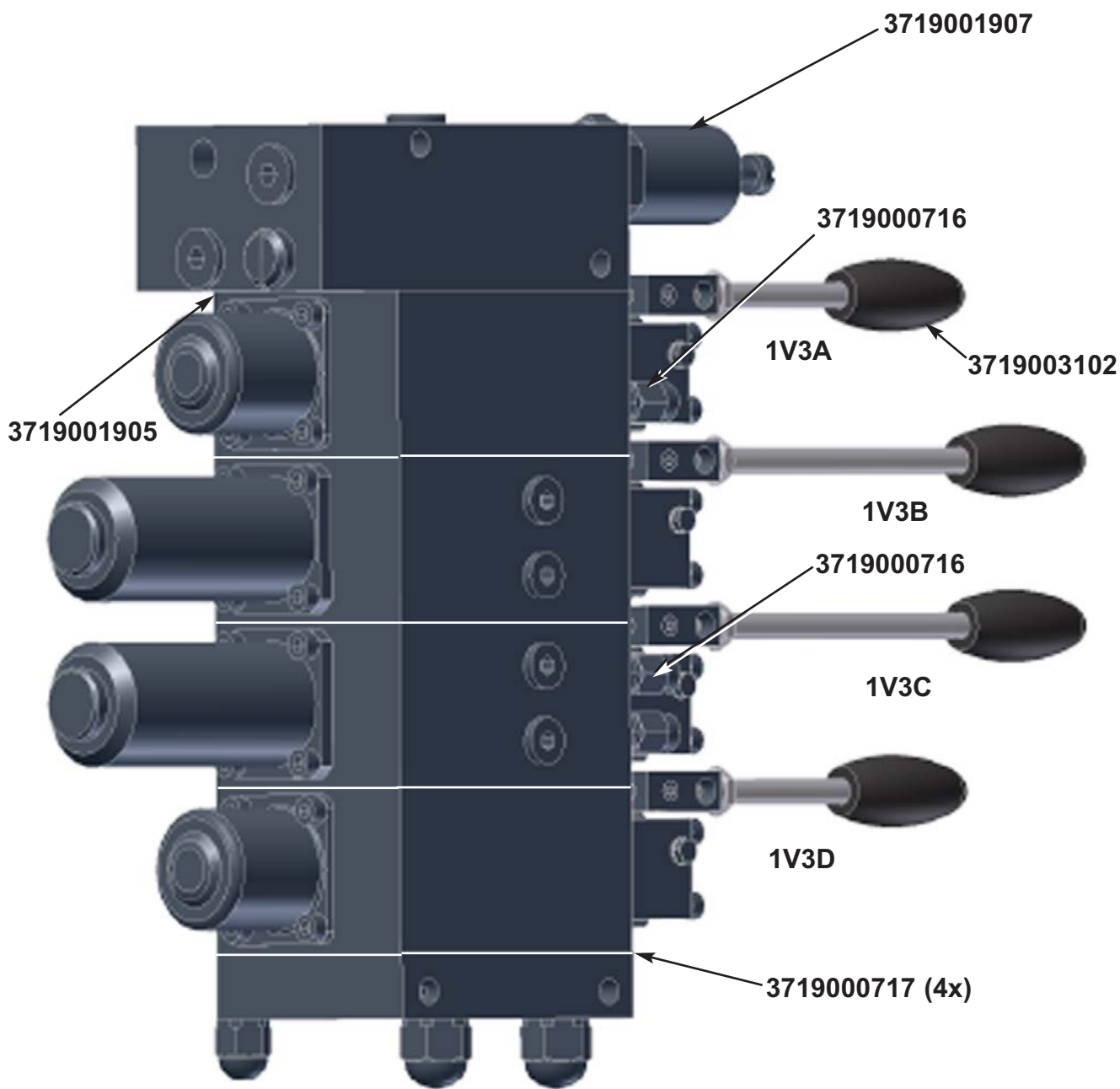
| Ref. No. | Part No. | Qty. | Description | Notes |
|----------|--------------|------|-------------------|-------------------------|
| 5B | 3719 0006 90 | 1 | VALVE | SHUTTLE VALVE |
| 5E | 3719 0018 08 | 1 | VALVE | NOZZLE ADJUSTABLE 3/8" |
| 5F | 3719 0006 78 | 1 | VALVE | CARTR. PR RED/RELIEVING |
| 5G | 3719 0018 09 | 1 | VALVE | NOZZLE CHECK |
| 5H | 3719 0018 10 | 1 | VALVE | FLOW CTRL |
| 5A1 | 3719 0018 06 | 1 | VALVE | PILOT CHECK 3/8" |
| 5A2 | 3719 0018 06 | 1 | VALVE | PILOT CHECK 3/8" |
| 5C1 | 3217 8643 01 | 1 | CHECK VALVE | RK1 |
| 5C2 | 3217 8643 01 | 1 | CHECK VALVE | RK1 |
| 5C3 | 3217 8643 01 | 1 | CHECK VALVE | RK1 |
| 5D1 | 3719 0006 88 | 1 | CHECK VALVE | |
| 5D2 | 3719 0006 88 | 1 | CHECK VALVE | |



Valve block, main

Ventilblock / Bloc de distributeurs / Conjunto de válvulas / Blocco distributore / Bloco de válvulas

3719 0017 15

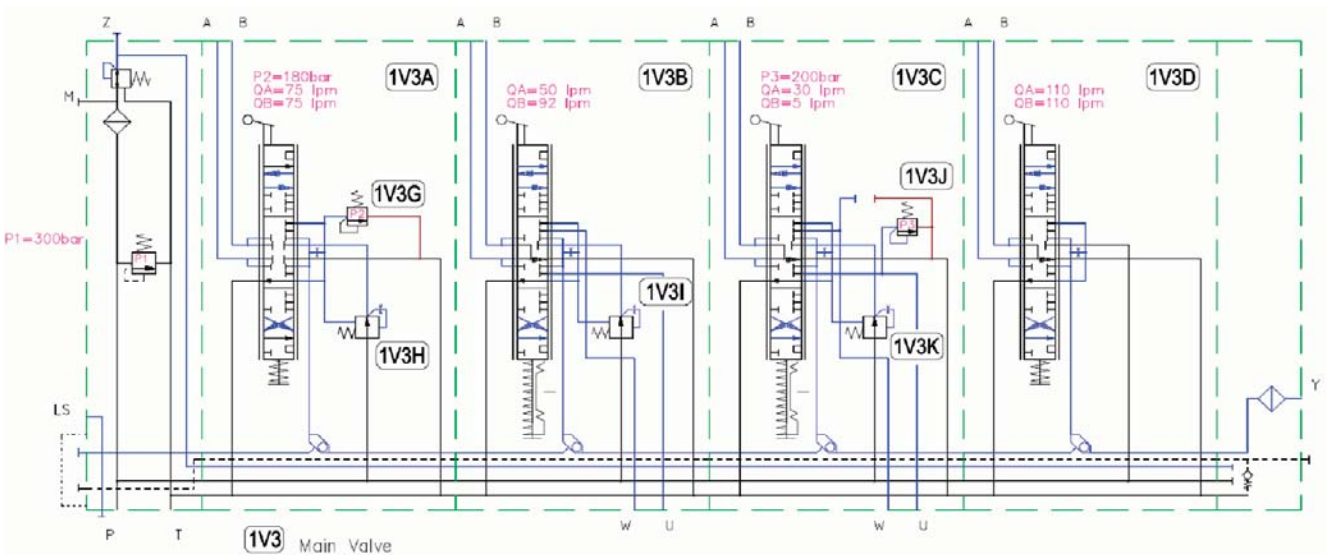


Valve block, main

Ventilblock / Bloc de distributeurs / Conjunto de válvulas / Blocco distributore / Bloco de válvulas

3719 0017 15

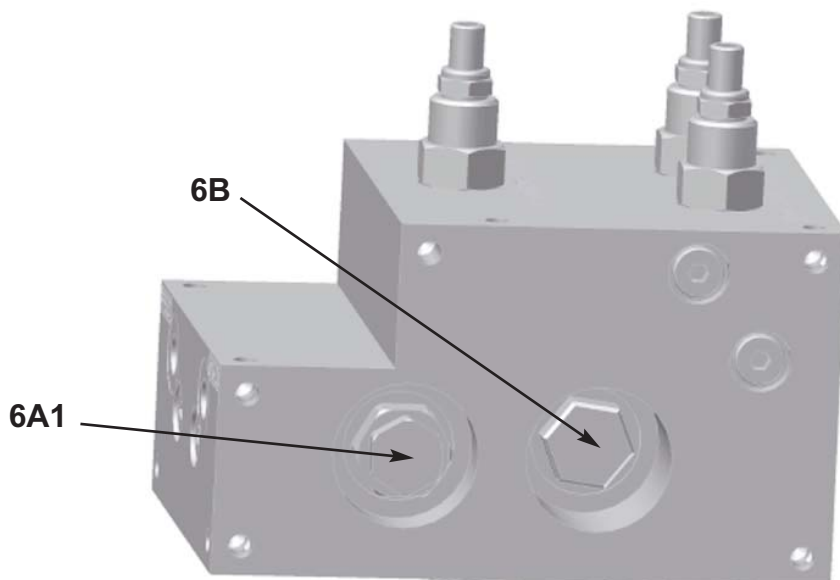
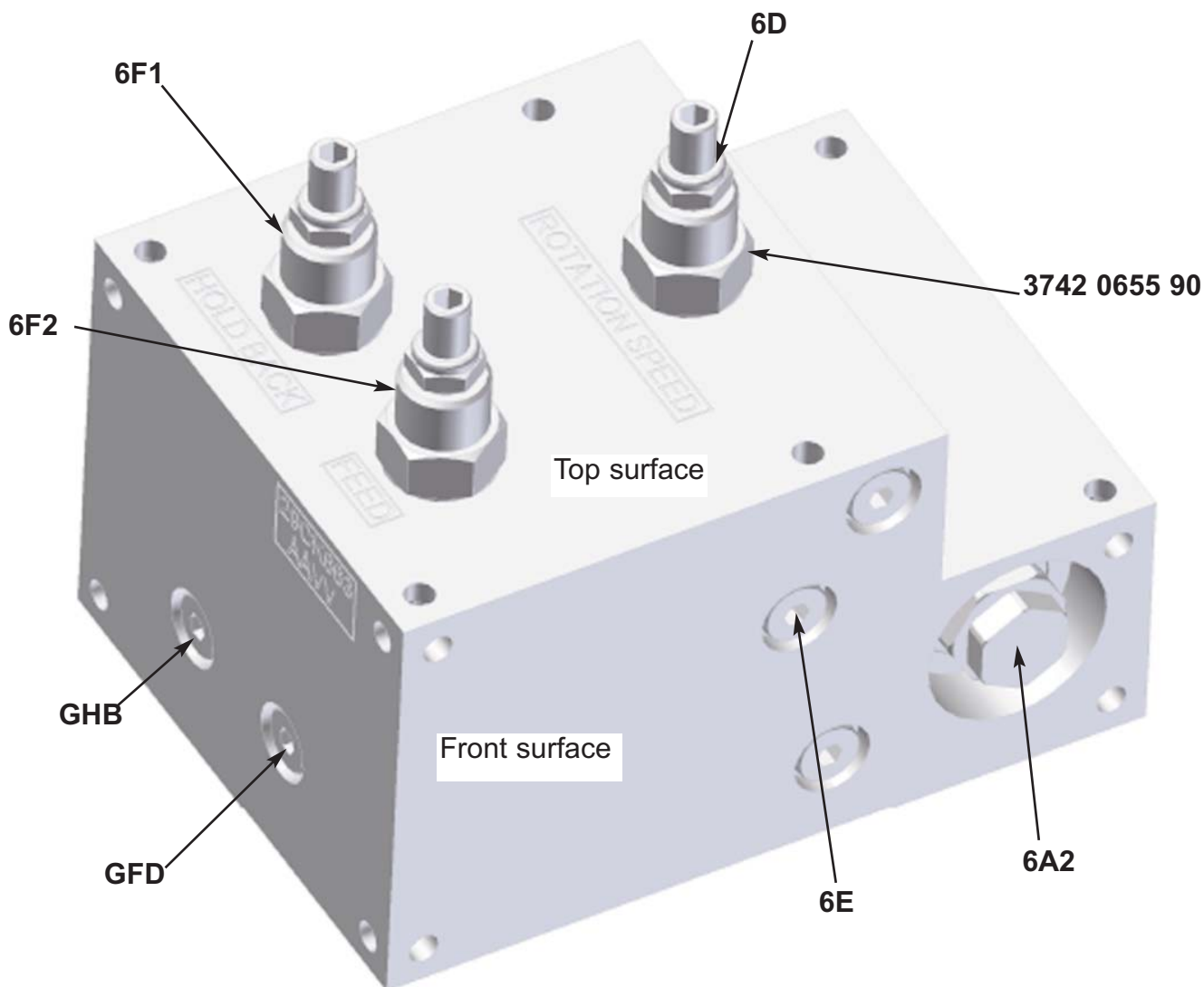
| Ref. No. | Part No. | Qty. | Description | Notes |
|----------|--------------|------|---------------------------------|------------------------|
| - | 3719 0007 17 | 4 | VALVE SECTION 4V1 AND 4V3 | PACKING KIT, SL3 VALVE |
| - | 3719 0031 02 | 4 | LEVER COMPLETE | |
| - | 3719 0007 16 | 2 | VALVE CARTR, PHC RELIEF | 345 |
| - | 3719 0019 05 | 1 | PACKING KIT | INLET SECT PSV51-3 |
| - | 3719 0019 06 | 1 | VALVE, PILOT PRESSURE | PSV51-3 |
| - | 3719 0019 07 | 1 | VALVE, MAIN PRESSURE | PSV51-3 |
| - | 3719 0019 08 | 1 | VALVESECTION | 1V3A |
| - | 3719 0019 09 | 1 | VALVESECTION..... | 1V3B |
| - | 3719 0019 10 | 1 | VALVESECTION..... | 1V3C |
| - | 3719 0019 11 | 1 | VALVESECTION..... | 1V3D |



Valve block, feed/drill

Ventilblock / Bloc de distributeurs / Conjunto de válvulas / Blocco distributore / Bloco de válvulas

3719 0018 05



Valve block, feed/drill

Ventilblock / Bloc de distributeurs / Conjunto de válvulas / Blocco distributore / Bloco de válvulas

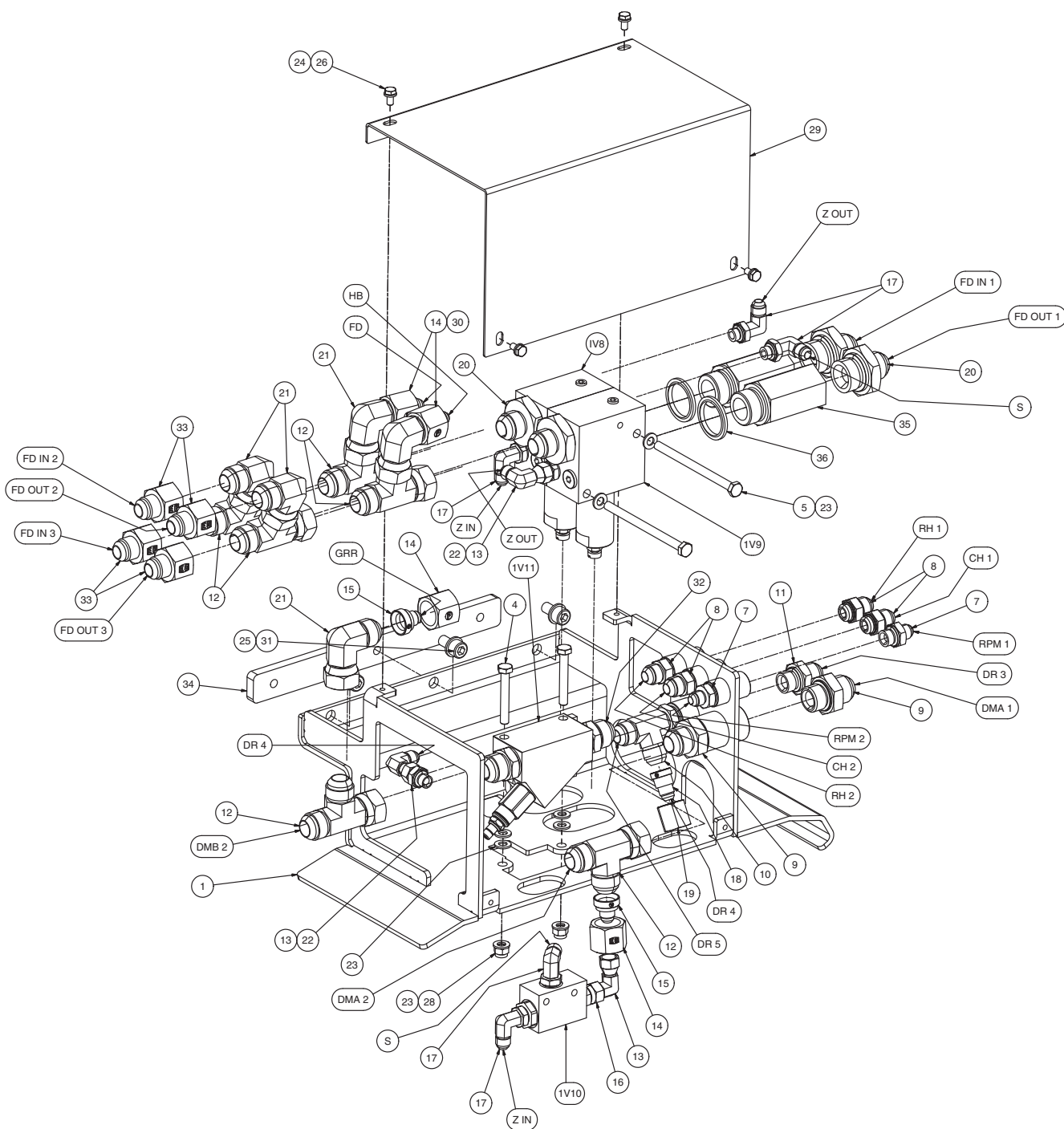
3719 0018 05

| Ref. No. | Part No. | Qty. | Description | Notes |
|----------|--------------|------|---------------------------|---------------------|
| | 3742 0655 90 | 3 | PACKING KIT | 6F1,6F2,6D |
| 6B | 3719 0006 90 | 1 | SHUTTLE VALVE..... | 5V1 |
| 6D | 3719 0006 73 | 1 | VALVE, CARTR. PR | RED/RELIEVING VALVE |
| 6E | 3715 6441 00 | 1 | NOZZLE..... | 0.7MM, M8 X 10 |
| 6A1 | 3719 0018 06 | 1 | VALVE | PILOT CHECK 3/8" |
| 6A2 | 3719 0018 06 | 1 | VALVE | PILOT CHECK 3/8" |
| 6F1 | 3719 0006 75 | 1 | VALVE, CARTRIDGE PR. | RED/REL VALVE |
| 6F2 | 3719 0006 75 | 1 | VALVE, CARTRIDGE PR. | RED/REL VALVE |

Valve assembly

Ventilblock / Bloc de distributeurs / Conjunto de válvulas / Blocco distributore / Bloco de válvulas

3719 0019 00



Valve assembly

Ventilblock / Bloc de distributeurs / Conjunto de válvulas / Blocco distributore / Bloco de válvulas

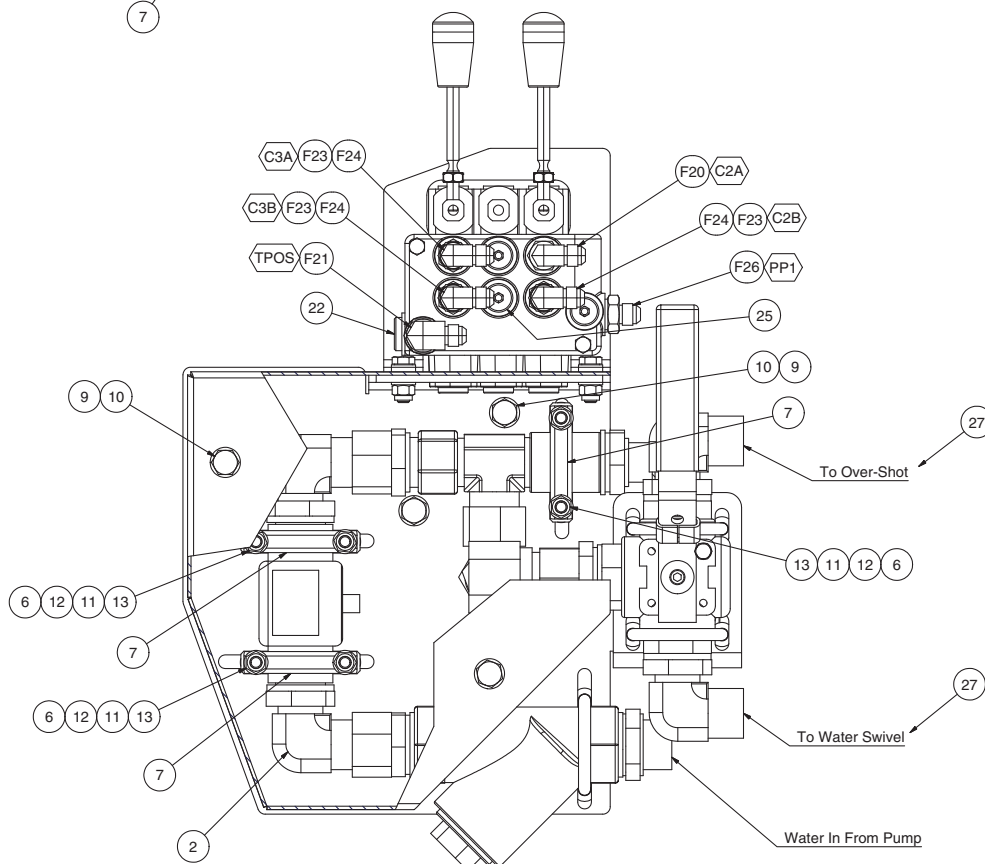
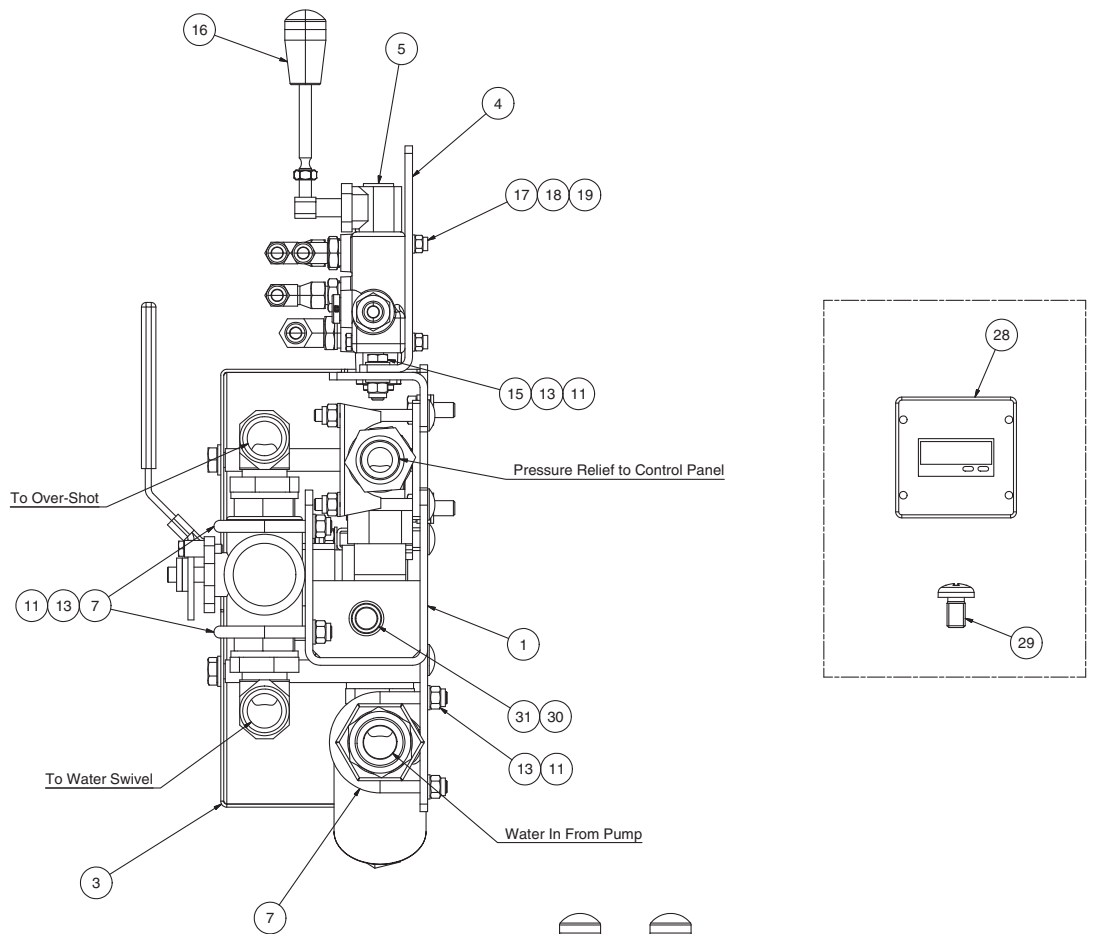
3719 0019 00

| Ref. No. | Part No. | Qty. | Description | Notes |
|----------|--------------|------|-----------------------------|-----------------------------|
| 1 | 3719 0019 16 | 1 | VALVE ASSY / BULK HEAD..... | |
| 4 | 0147 1331 03 | 2 | SCREW | M8x55 FZB M6S 8 x 55 FZB |
| 5 | 0147 1343 03 | 2 | SCREW | M8x120 FZB M6S M8 x 120 |
| 7 | 3176 6349 00 | 2 | NIPPLE..... | R 3/8" x UN 9/16 |
| 8 | 3176 6512 00 | 4 | NIPPLE..... | R 3/8 - UN 3/4 |
| 9 | 3176 6517 00 | 2 | NIPPLE..... | UN 1 1/16-R 3/4 |
| 10 | 3176 6595 00 | 1 | TEE | UN7/8" x R1/2" |
| 11 | 3176 6515 00 | 1 | NIPPLE..... | UN 7/8 x R 1/2 |
| 12 | 3176 6591 00 | 6 | TEE | UN 1 1/16" |
| 13 | 3715 0584 00 | 3 | ELBOW | UN 9/16xUN 9/16 |
| 14 | 3176 2930 00 | 4 | NUT | UN 1 1/16" |
| 15 | 3176 6503 00 | 2 | NIPPLE..... | UN 1 1/16"-9/16" |
| 16 | 3176 8489 00 | 1 | NIPPLE..... | R 1/4" x UN 9/16" |
| 17 | 3176 6351 00 | 5 | ELBOW | R 1/4 x UN 9/16-18 |
| 18 | 3176 6502 00 | 1 | NIPPLE..... | UN 7/8" x UN 9/16" |
| 19 | 3176 6616 00 | 1 | NUT | UN 7/8 |
| 20 | 3176 6518 00 | 4 | NIPPLE..... | R 1" x UN 1 1/16 |
| 21 | 3715 0589 00 | 5 | ELBOW | UN 1 1/16 x 1 1/16 |
| 22 | 3176 6348 00 | 2 | NIPPLE..... | UN 9/16 x R 1/4 |
| 23 | 0301 2335 00 | 8 | WASHER | BRB 8.4 x 16 x 1.6 SS |
| 24 | 0301 2321 00 | 4 | WASHER | BRFB 6.4 x 12.5 x 1.5 |
| 25 | 0301 2344 00 | 3 | WASHER | BRB 10.5 x 20 x 2 |
| 26 | 0147 1244 03 | 4 | SCREW | M6x12 FZB M6S 6 x 12 |
| 28 | 0291 1128 18 | 2 | LOCK NUT..... | M8 M8 HÖG fzb ISO 7040 |
| 29 | 3719 0019 17 | 1 | COVER VALVE ASSY | U4 |
| 30 | 3176 6504 00 | 2 | NIPPLE..... | 1 1/16-12 3/4-16 |
| 31 | 0211 1360 03 | 3 | CAP SCREW..... | M10x20 FZB MC6S 10 x 20 FZB |
| 32 | 3176 6516 00 | 2 | NIPPLE..... | R 1/2-UN 1 1/16 |
| 33 | 3176 6505 00 | 4 | NIPPLE..... | UN 1 1/16 x 7/8 |
| 34 | 3719 0019 62 | 1 | THREAD PLATE | |
| 35 | 3719 0031 36 | 2 | NIPPEL..... | |
| 36 | 0661 1049 00 | 2 | SEAL WASHER..... | TREDO 23 |
| 37 | 3716 2506 00 | 1 | NIPPLE..... | EXTENSION 90MM 1/2" |
| 38 | 0661 1033 00 | 1 | SEAL WASHER..... | TREDO 18 |
| 1V8 | 3719 0018 04 | 1 | VALVE | CB 280 BAR |
| 1V9 | 3719 0018 04 | 1 | VALVE | CB 280 BAR |
| 1V10 | 3719 0039 31 | 1 | VALVE | SHUTTLE 1/4" |
| 1V11 | 3719 0019 41 | 1 | VALVE | SEQUENCE 110 BAR 1/2" |
| - | 3719 0019 42 | 1 | VALVE CARTRIDGE..... | SEQUENCE G 1/2" |

Water control kit

Wasser-Abflussregelung / Vattensystem / Aménagement de l'écoulement / Control del agua / Controllo dell'acqua / Controlo de água

3719 0018 94

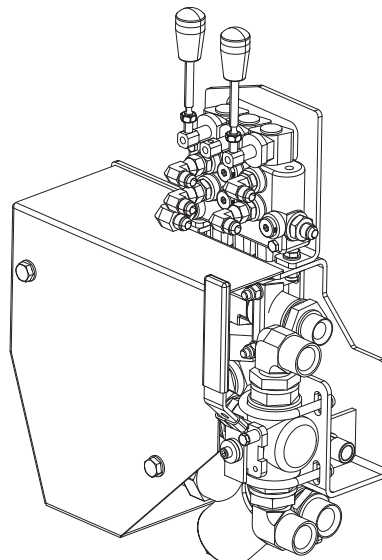
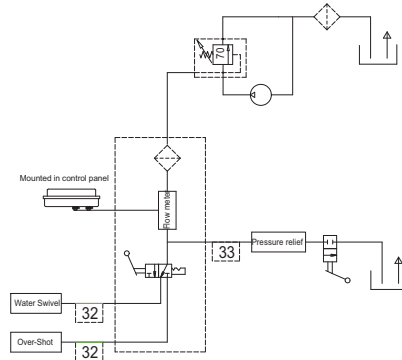


Water control kit

Wasser-Abflussregelung / Vattensystem / Aménagement de l'écoulement / Control del agua / Controllo dell'acqua / Controllo de água

3719 0018 94

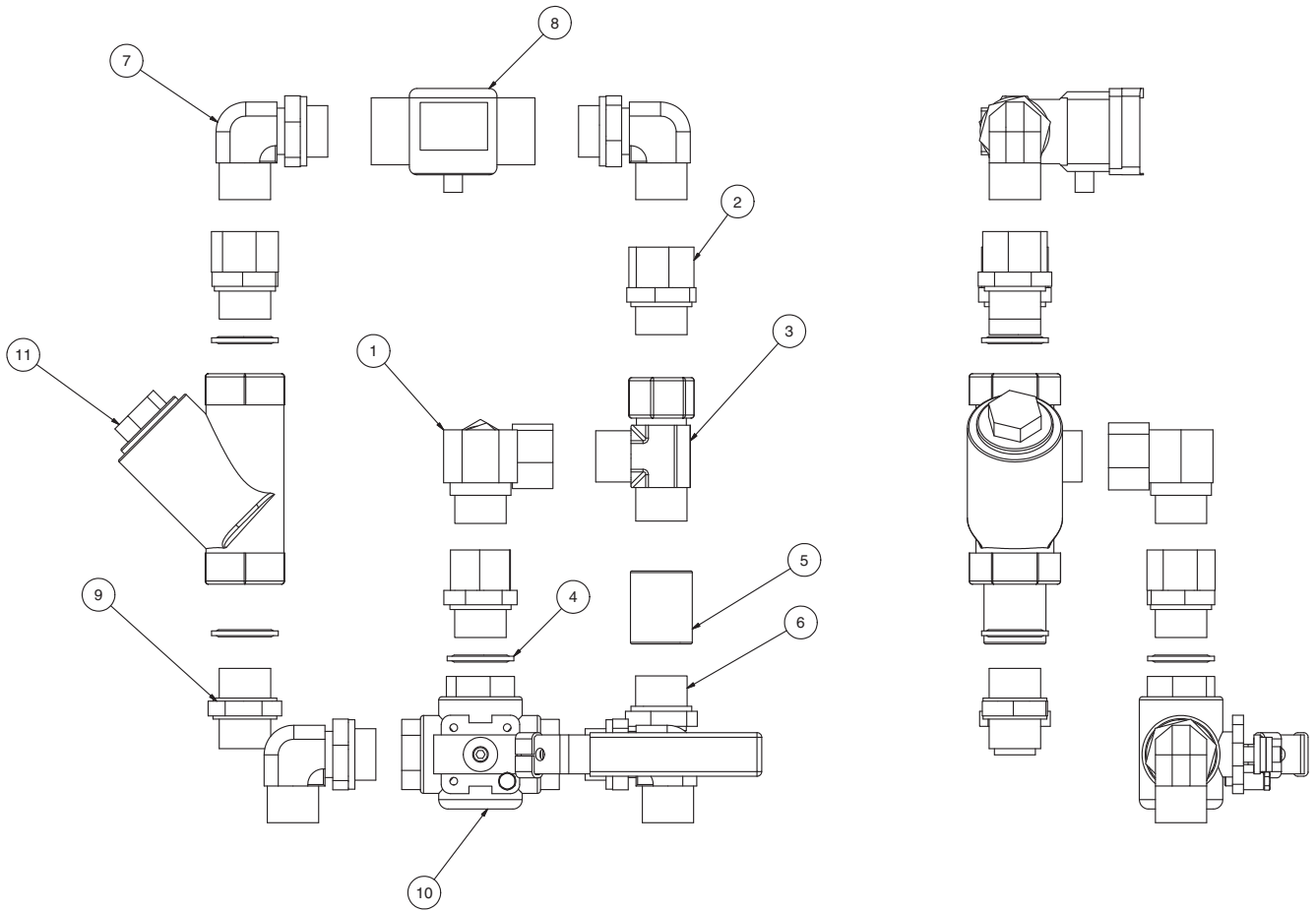
| Ref. No. | Part No. | Qty. | Description | Notes |
|----------|--------------|------|--------------------------------|--------------------------|
| F20 | 3176 6351 00 | 1 | ELBOW | R 1/4 x UN 9/16-18 |
| F21 | 3176 6352 00 | 1 | ELBOW | R 3/8" x UN 9/16" |
| F23 | 3176 6348 00 | 3 | NIPPLE..... | UN 9/16 x R 1/4 |
| F24 | 3715 0584 00 | 3 | ELBOW | UN 9/16xUN 9/16 |
| F26 | 3176 6349 00 | 1 | NIPPLE..... | R 3/8" x UN 9/16 |
| 1 | 3719 0018 91 | 1 | BASE PLATE, WATER ASSY | |
| 2 | 3719 0037 70 | 1 | WATER SYSTEM PHC..... | |
| 3 | 3719 0018 92 | 1 | COVER, WATER ASSY..... | |
| 4 | 3719 0018 69 | 1 | VALVE BRACKET, WATER ASSY..... | |
| 5 | 3719 0019 01 | 1 | VALVE, POSITIONING U4..... | (B) |
| 6 | 3719 0037 74 | 3 | DISTANCE WASHER | |
| 7 | 0346 2900 12 | 3 | PIPE CLAMP | TYPE U-BOLT MAX 51MM, M8 |
| 9 | 0301 2344 00 | 11 | WASHER | BRB 10.5 x 20 x 2 |
| 10 | 0147 1362 03 | 5 | SCREW | M10x25 FZB M6S 10 x 25 |
| 11 | 0301 2335 00 | 16 | WASHER | BRB 8.4 x 16 x 1.6 SS |
| 12 | 0017 9892 65 | 6 | SQ NECK BOLT | M8 X 75 |
| 13 | 0291 1128 18 | 14 | LOCK NUT | M8 ISO 7040 |
| 15 | 0147 1325 03 | 2 | SCREW | M8X25 FZB M6S 8 x 25 |
| 16 | 3719 0041 60 | 2 | LEVER..... | L90 |
| 17 | 0147 1254 03 | 2 | SCREW | M6x50 FZB M6S 6 x 50 FZB |
| 18 | 0301 2321 00 | 2 | WASHER | BRFB 6.4 x 12.5 x 1.5 |
| 19 | 0291 1128 15 | 2 | LOCK NUT..... | M6 ISO 7040 |
| 22 | 0686 3718 01 | 1 | PLUG | G 3/8" ED VSTI R 3/8-ED |
| 25 | 0686 6442 07 | 3 | PLUG | G 1/4-ED VSTI R 1/4-ED |
| 27 | 3715 7327 02 | 2 | DELIVERY HOSE | L= 1" x 5 M |
| 28 | 3719 0030 68 | 1 | FLOW METER DISPLAY | |
| 29 | 0160 6060 00 | 4 | SLOTTED SCREW | ECS 5 x 12 FZB |
| 30 | 3719 0049 44 | 1 | REDUCER..... | PG13,5 - PG9 |
| 31 | 3719 0049 43 | 1 | PIST CONNECTION | PG13.5 |



Water system

Wasser-Abflussregelung / Vattensystem / Aménagement de l'écoulement / Control del agua / Controllo dell'acqua / Controlo de água

3719 0037 70



Water system

Wasser-Abflussregelung / Vattensystem / Aménagement de l'écoulement / Control del agua / Controllo dell'acqua / Control de água

3719 0037 70

| Ref. No. | Part No. | Qty. | Description | Notes |
|----------|--------------|------|-----------------------------|---|
| 1 | 0606 0000 07 | 2 | NIPPLE | G 1"UF X G 1"IR 90T 7201-16-16 |
| 2 | 0606 0000 05 | 3 | NIPPLE | G 1"UF X G 1"IR 7008-16-16 |
| 3 | 0606 0000 16 | 1 | NIPPLE | G 1"UF X IR X UF T 7404-16-16 |
| 4 | 0661 1049 00 | 3 | SEAL WASHER | TREDO 23 |
| 5 | 0607 2156 00 | 1 | SOCKET | G1" R1" L=43mm RSK 1246206 |
| 6 | 0606 0000 01 | 1 | NIPPLE | G 3/4"UF X G 1"UF 7002-12-16 |
| 7 | 0606 0000 08 | 4 | NIPPLE | G 1"UF X G 1"UF 90STB 7204-16-16 |
| 8 | 3719 0030 70 | 1 | FLOW METER..... | DN25 (1"), PADDLE TYPE, PN64, 4-20mA OUTPUT |
| 9 | 3715 7550 00 | 1 | NIPPLE | G1"xG1" |
| 10 | 3719 0018 53 | 1 | VALVE, SELECTOR 3 WAY | 1" |
| 11 | 3742 1301 00 | 1 | FILTER | VM 6334 DN25 |
| - | 3742 1301 01 | 1 | FILTER INSERT | |

Pu-rig hose kit

3719 0018 38

| Ref. No. | Part No. | Qty. | Size. | Lenght | Notes |
|----------|--------------|------|------------|-----------|-------|
| P1C | 0574 3256 60 | 1 | 1" | 1 000 mm | |
| P1B | 0574 4545 11 | 1 | 1" | 6 500 mm | |
| T1A | 0574 3256 55 | 1 | 1" | 6 500 mm | |
| DMA1 | 0574 3256 63 | 1 | 3/4" | 6 200 mm | |
| FDOUT1 | 0574 0066 27 | 1 | 3/4" | 6 300 mm | |
| FDIN1 | 0574 0066 27 | 1 | 3/4" | 6 300 mm | |
| DMB1 | 0574 0066 27 | 1 | 3/4" | 6 300 mm | |
| WLA | 0574 0064 93 | 1 | 1/2" | 5 800 mm | |
| WLB | 0574 0064 93 | 1 | 1/2" | 5 800 mm | |
| DR3 | 0574 3256 51 | 1 | 1/2" | 13 800 mm | |
| RH1 | 0574 0070 20 | 1 | 3/8" | 6 300 mm | |
| HB | 0574 0066 21 | 1 | 3/8" | 6 800 mm | |
| FD | 0574 0066 21 | 1 | 3/8" | 6 800 mm | |
| P2B | 0574 1298 11 | 1 | 3/8" | 8 000 mm | |
| LS1B | 0574 1253 27 | 1 | 3/8" | 7 600 mm | |
| CH1 | 0574 3256 57 | 1 | 3/8" | 7 100 mm | |
| DR | 0574 3256 53 | 1 | 3/8" | 8 300 mm | |
| DR1 | 0574 3256 52 | 1 | 3/8" | 8 150 mm | |
| DR4 | 3718 0400 93 | 1 | 1/4" | 1 400 mm | |
| FW | 0574 1253 10 | 1 | 1/4" | 6 300 mm | |
| LS2B | 0574 0297 11 | 1 | 1/4" | 7 500 mm | |
| RPM1 | 0574 0295 11 | 1 | 1/4" | 6 500 mm | |
| GRR | 0574 0064 72 | 1 | 1/4" | 6 800 mm | |
| ZOUT | 0574 1252 91 | 1 | 1/4" | 2 500 mm | |
| ZIN | 0574 1252 90 | 1 | 1/4" | 2 400 mm | |
| S | 0574 3256 59 | 1 | 1/4" | 2 140 mm | |
| WDIN | 3715 7817 07 | 1 | 3/4" | 7 500 mm | |
| WDOUT | 3715 7817 01 | 1 | 3/4" | 1 500 mm | |

Hydraulic Diagram

3719 0017 35

| Pos. | Part No. | Hose Dia. | Length. | Use. |
|------|----------|-----------|---------|------|
|------|----------|-----------|---------|------|

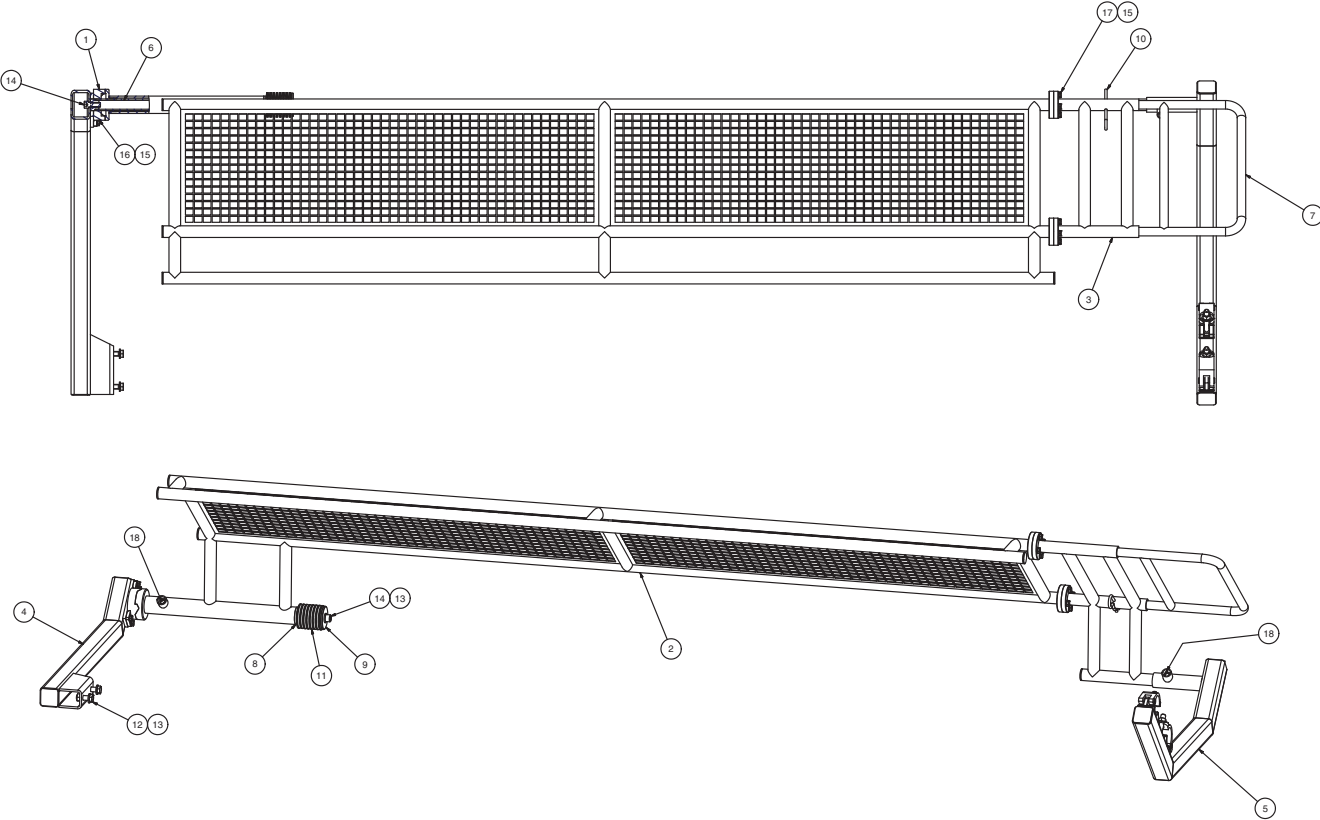
Hydraulic Diagram

3719 0017 35

| Pos. | Part No. | Hose Dia. | Length. | Use. |
|------|----------|-----------|---------|------|
|------|----------|-----------|---------|------|

Long Guard assy

3719 0037 77



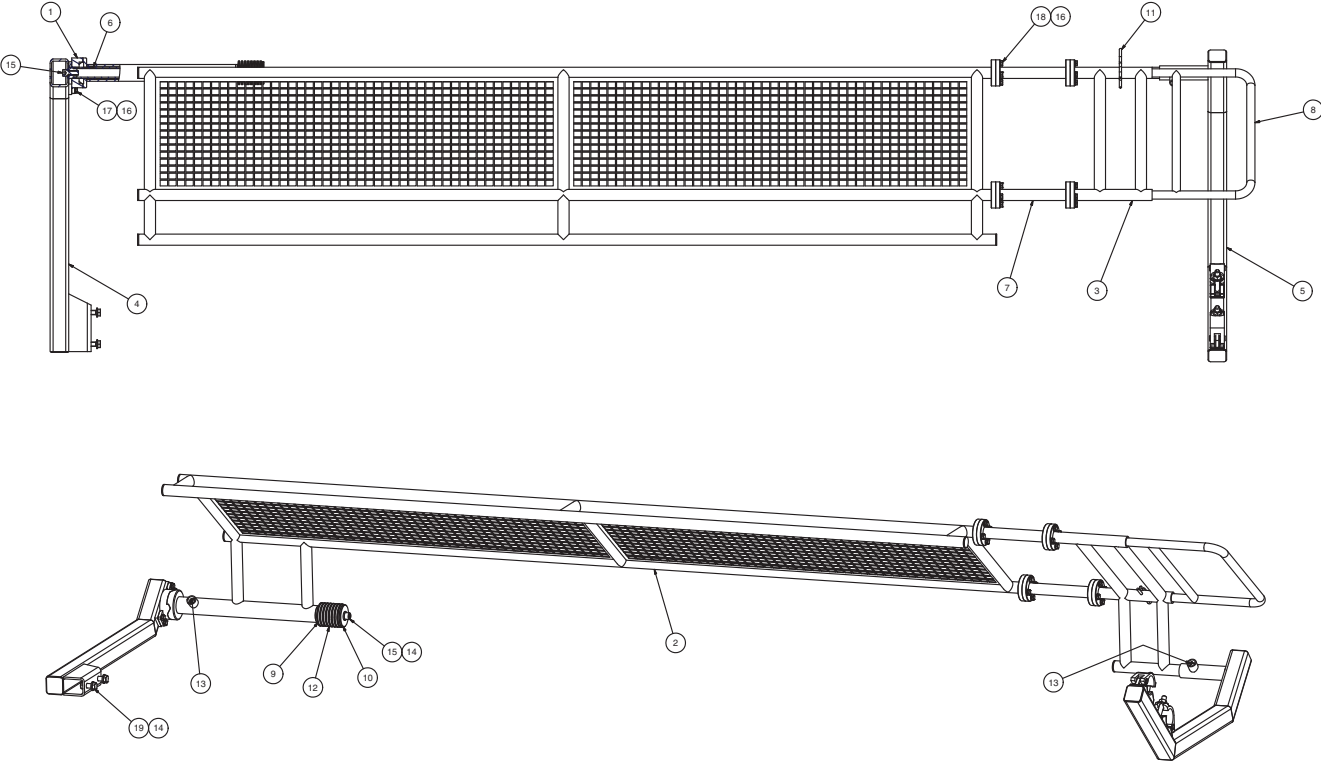
Long Guard assy

3719 0037 77

| Ref. No | Part Number | Qty. | Description | Notes |
|---------|--------------|------|---------------------------|------------------------------------|
| 1 | 3719 0037 80 | 1 | TOOTHED BUSHING | |
| 2 | 3719 0037 81 | 1 | GUARD WELD ASSY | |
| 3 | 3719 0037 83 | 1 | GUARD RH WELD ASSY | |
| 4 | 3719 0019 48 | 1 | GUARD BRACKET | LH |
| 5 | 3719 0037 85 | 1 | GUARD BRACKET | RH |
| 6 | 3719 0037 86 | 1 | INNER TUBE..... | |
| 7 | 3719 0037 88 | 1 | TELESCOPIC PIPE LONG..... | |
| 8 | 3719 0037 89 | 1 | REDUCER..... | |
| 9 | 3719 0037 90 | 1 | WASHER..... | |
| 10 | 0111 1686 09 | 1 | COTTER PIN | 6mm SHAFT 30 mm |
| 11 | 0384 3499 00 | 16 | DISC SPRING..... | 63 x 31 x 1,7 |
| 12 | 0147 1402 03 | 2 | SCREW | M12x35 FZB M6S 12 x 35 ISO 4017 |
| 13 | 0301 2358 00 | 1 | WASHER..... | BRB 13 x 24 x 2.5 |
| 14 | 0211 1401 03 | 2 | CAP SCREW | M12x30 FZB MC6S 12 x 30 8.8 din912 |
| 15 | 0301 2335 00 | 20 | WASHER | BRB 8.4 x 16 x 1.6 SS |
| 16 | 0147 1323 03 | 4 | SCREW..... | M8x20 FZB M6S 8 x 20 |
| 17 | 0147 1325 03 | 8 | SCREW..... | M8X25 FZB M6S 8 x 25 |
| 18 | 0544 1100 12 | 2 | LUB. NIPPLE | H1 M10 X 1 |

Long Guard with distance assy

3719 0037 76



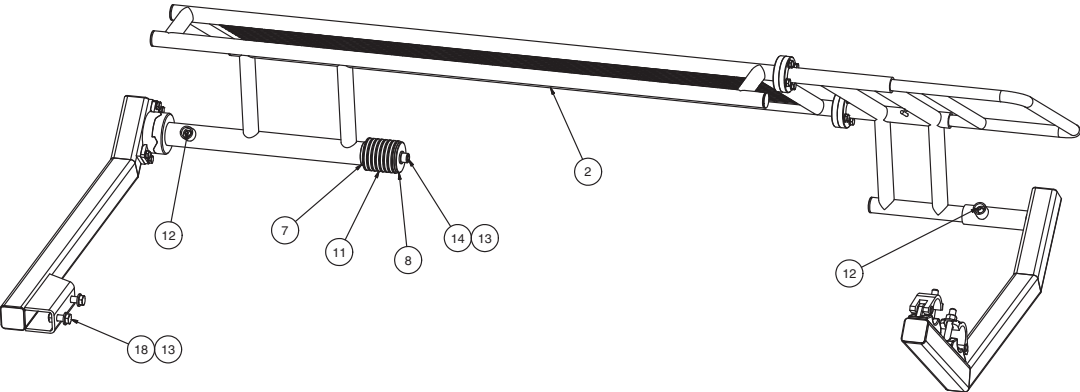
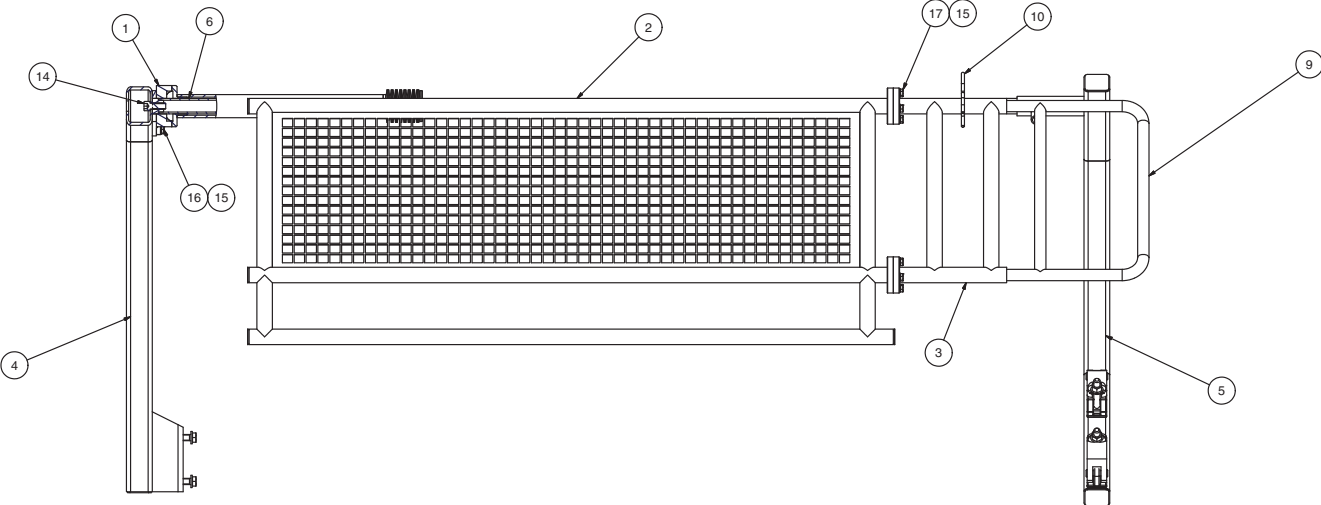
Long Guard with distance assy

3719 0037 76

| Ref. No | Part Number | Qty. | Description | Notes |
|---------|--------------|------|----------------------------|------------------------------------|
| 1 | 3719 0037 80 | 1 | TOOTHED BUSHING | |
| 2 | 3719 0037 81 | 1 | GUARD WELD ASSY | |
| 3 | 3719 0037 83 | 1 | GUARD RH WELD ASSY | |
| 4 | 3719 0019 48 | 1 | GUARD BRACKET | LH |
| 5 | 3719 0037 85 | 1 | GUARD BRACKET | RH |
| 6 | 3719 0037 86 | 1 | INNER TUBE | |
| 7 | 3719 0037 87 | 2 | DISTANCE | |
| 8 | 3719 0037 88 | 1 | TELESCOPIC PIPE LONG | |
| 9 | 3719 0037 89 | 1 | REDUCER | |
| 10 | 3719 0037 90 | 1 | WASHER | |
| 11 | 0111 1686 09 | 1 | COTTER PIN | 6mm SHAFT 30 mm |
| 12 | 0384 3499 00 | 16 | DISC SPRING | 63 x 31 x 1,7 |
| 13 | 0544 1100 12 | 2 | LUB. NIPPLE | H1 M10 X 1 |
| 14 | 0301 2358 00 | 3 | WASHER | BRB 13 x 24 x 2.5 |
| 15 | 0211 1401 03 | 2 | CAP SCREW | M12x30 FZB MC6S 12 x 30 8.8 din912 |
| 16 | 0301 2335 00 | 20 | WASHER | BRB 8.4 x 16 x 1.6 SS |
| 17 | 0147 1323 03 | 4 | SCREW | M8x20 FZB M6S 8 x 20 |
| 18 | 0147 1325 03 | 16 | SCREW | M8X25 FZB M6S 8 x 25 |
| 19 | 0147 1402 03 | 2 | SCREW | M12x35 FZB M6S 12 x 35 ISO 4017 |

Short Guard assy

3719 0037 79



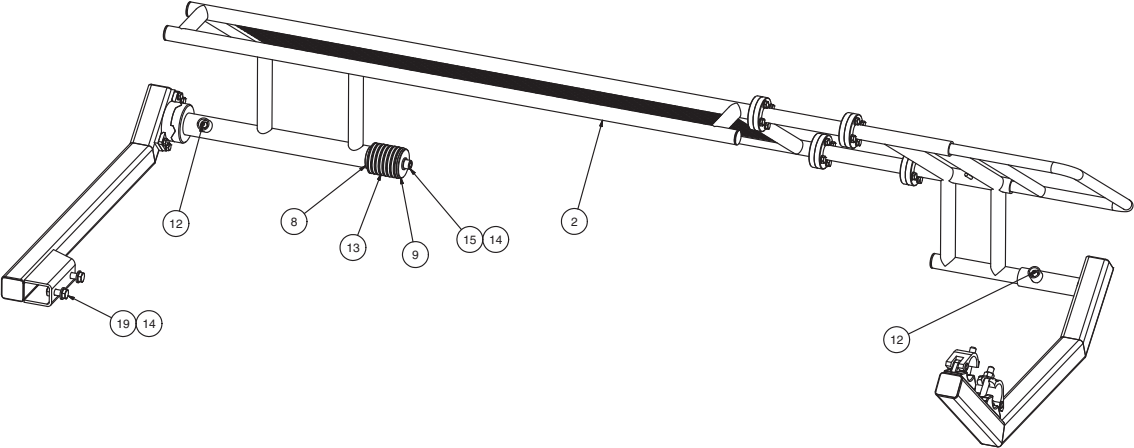
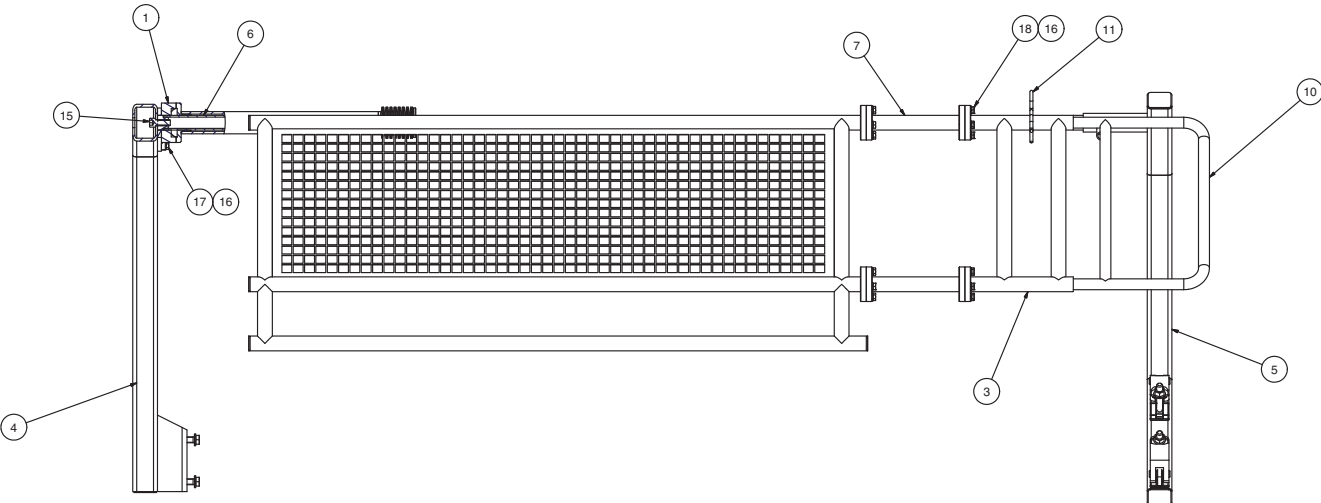
Short Guard assy

3719 0037 79

| Ref. No | Part Number | Qty. | Description | Notes |
|---------|--------------|------|----------------------------|------------------------------------|
| | 850 mm | | | |
| 1 | 3719 0037 80 | 1 | TOOTHED BUSHING | |
| 2 | 3719 0037 82 | 1 | GUARD WELD ASSY SHORT..... | |
| 3 | 3719 0037 83 | 1 | GUARD RH WELD ASSY | |
| 4 | 3719 0019 48 | 1 | GUARD BRACKET | LH |
| 5 | 3719 0037 85 | 1 | GUARD BRACKET | RH |
| 6 | 3719 0037 86 | 1 | INNER TUBE | |
| 7 | 3719 0037 89 | 1 | REDUCER..... | |
| 8 | 3719 0037 90 | 1 | WASHER..... | |
| 9 | 3719 0037 91 | 1 | TELESCOPIC PIPE SHORT..... | |
| 10 | 0111 1686 09 | 1 | COTTER PIN | 6mm SHAFT 30 mm |
| 11 | 0384 3499 00 | 16 | DISC SPRING..... | 63 x 31 x 1,7 |
| 12 | 0544 1100 12 | 2 | LUB. NIPPLE | H1 M10 X 1 |
| 13 | 0301 2358 00 | 3 | WASHER..... | BRB 13 x 24 x 2.5 |
| 14 | 0211 1401 03 | 2 | CAP SCREW | M12x30 FZB MC6S 12 x 30 8.8 din912 |
| 15 | 0301 2335 00 | 12 | WASHER..... | BRB 8.4 x 16 x 1.6 SS |
| 16 | 0147 1323 03 | 4 | SCREW | M8x20 FZB M6S 8 x 20 |
| 17 | 0147 1325 03 | 8 | SCREW | M8X25 FZB M6S 8 x 25 |
| 18 | 0147 1402 03 | 2 | SCREW..... | M12x35 FZB M6S 12 x 35 ISO 4017 |

Short Guard with distance assy

3719 0037 78



Short Guard with distance assy

3719 0037 78

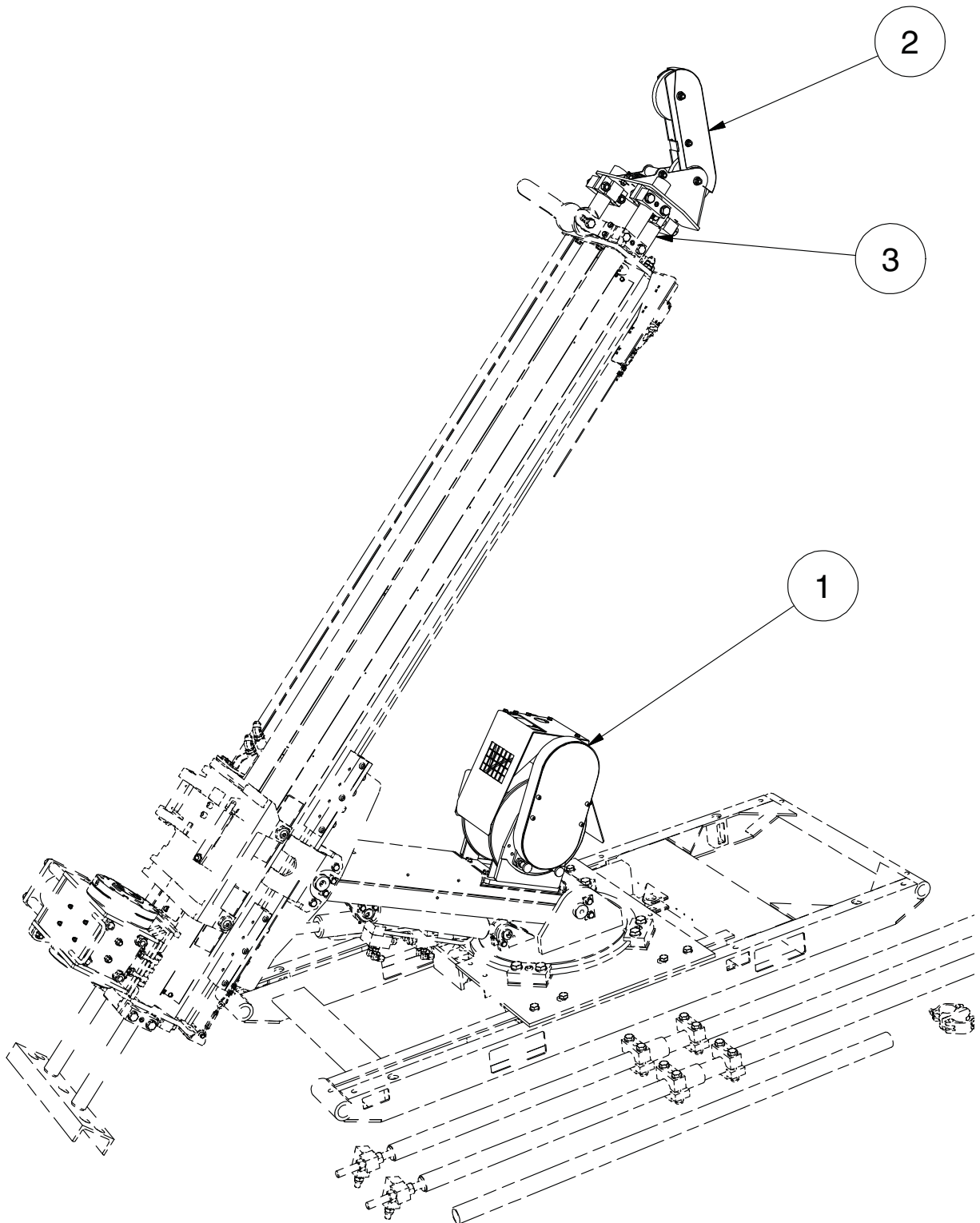
| Ref. No | Part Number | Qty. | Description | Notes |
|---------|--------------|------|-----------------------------|------------------------------------|
| | 850 mm | | | |
| 1 | 3719 0037 80 | 1 | TOOTHED BUSHING | |
| 2 | 3719 0037 82 | 1 | GUARD WELD ASSY SHORT..... | |
| 3 | 3719 0037 83 | 1 | GUARD RH WELD ASSY | |
| 4 | 3719 0019 48 | 1 | GUARD BRACKET | LH |
| 5 | 3719 0037 85 | 1 | GUARD BRACKET..... | RH |
| 6 | 3719 0037 86 | 1 | INNER TUBE | |
| 7 | 3719 0037 87 | 2 | DISTANCE | |
| 8 | 3719 0037 89 | 1 | REDUCER | |
| 9 | 3719 0037 90 | 1 | WASHER | |
| 10 | 3719 0037 91 | 1 | TELESCOPIC PIPE SHORT | |
| 11 | 0111 1686 09 | 1 | COTTER PIN | 6mm SHAFT 30 mm |
| 12 | 0544 1100 12 | 2 | LUB. NIPPLE | H1 M10 X 1 |
| 13 | 0384 3499 00 | 16 | DISC SPRING..... | 63 x 31 x 1,7 |
| 14 | 0301 2358 00 | 3 | WASHER | BRB 13 x 24 x 2.5 |
| 15 | 0211 1401 03 | 2 | CAP SCREW | M12x30 FZB MC6S 12 x 30 8.8 din912 |
| 16 | 0301 2335 00 | 20 | WASHER | BRB 8.4 x 16 x 1.6 SS |
| 17 | 0147 1323 03 | 4 | SCREW | M8x20 FZB M6S 8 x 20 |
| 18 | 0147 1325 03 | 16 | SCREW | M8X25 FZB M6S 8 x 25 |
| 19 | 0147 1402 03 | 2 | SCREW | M12x35 FZB M6S 12 x 35 ISO 4017 |

Wire line

Optional equipment

Seilwinde / Wirelinespel / Treuil pour carottiers à câble / Cabrestante wire line Argano/ Guincho de "wire line"

3719 0018 28



Wire line

Optional equipment

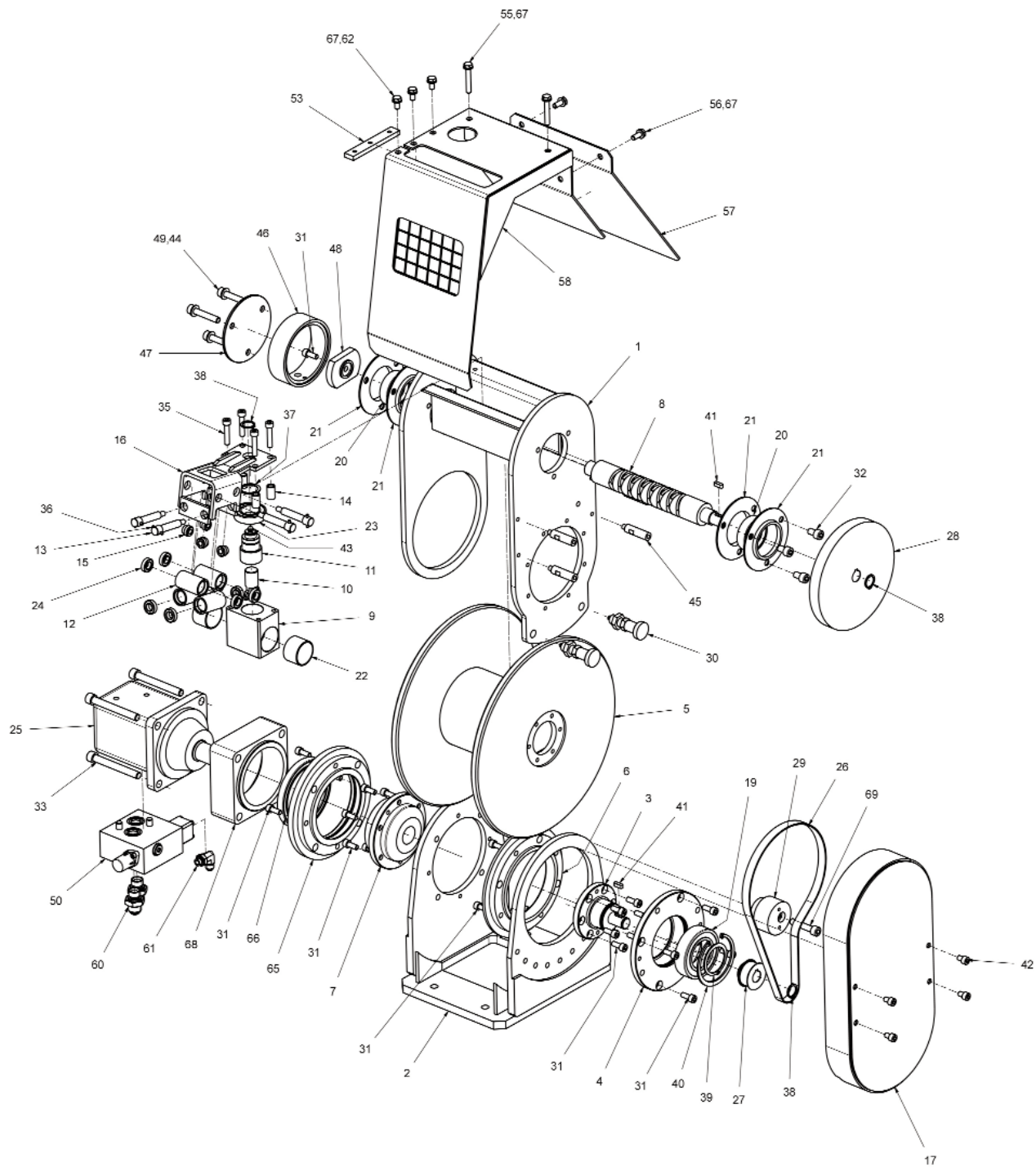
Seilwinde / Wirelinespel / Treuil pour carottiers à câble / Cabrestante wire line Argano/ Guincho de "wire line"

3719 0018 28

| Ref. No. | Part No. | Qty. | Description | Notes |
|----------|--------------|------|------------------------------|----------------|
| 1 | 3719 0016 00 | 1 | WIRE LINE HOIST(B) | 500m LEVELWIND |
| 2 | 3719 0019 38 | 1 | TOP PULLEY ASSEMBLY(B) | |
| 3 | 3719 0004 45 | 3 | PIPE EXTENSION(B) | (1,5M) |

Seilwinde / Wirelinespel / Treuil pour carottiers à câble / Cabrestante wire line Argano/ Guincho de "wire line"

3719 0016 00



Wire line

Optional equipment

Seilwinde / Wirelinespel / Treuil pour carottiers à câble / Cabrestante wire line Argano/ Guincho de "wire line"

3719 0016 00

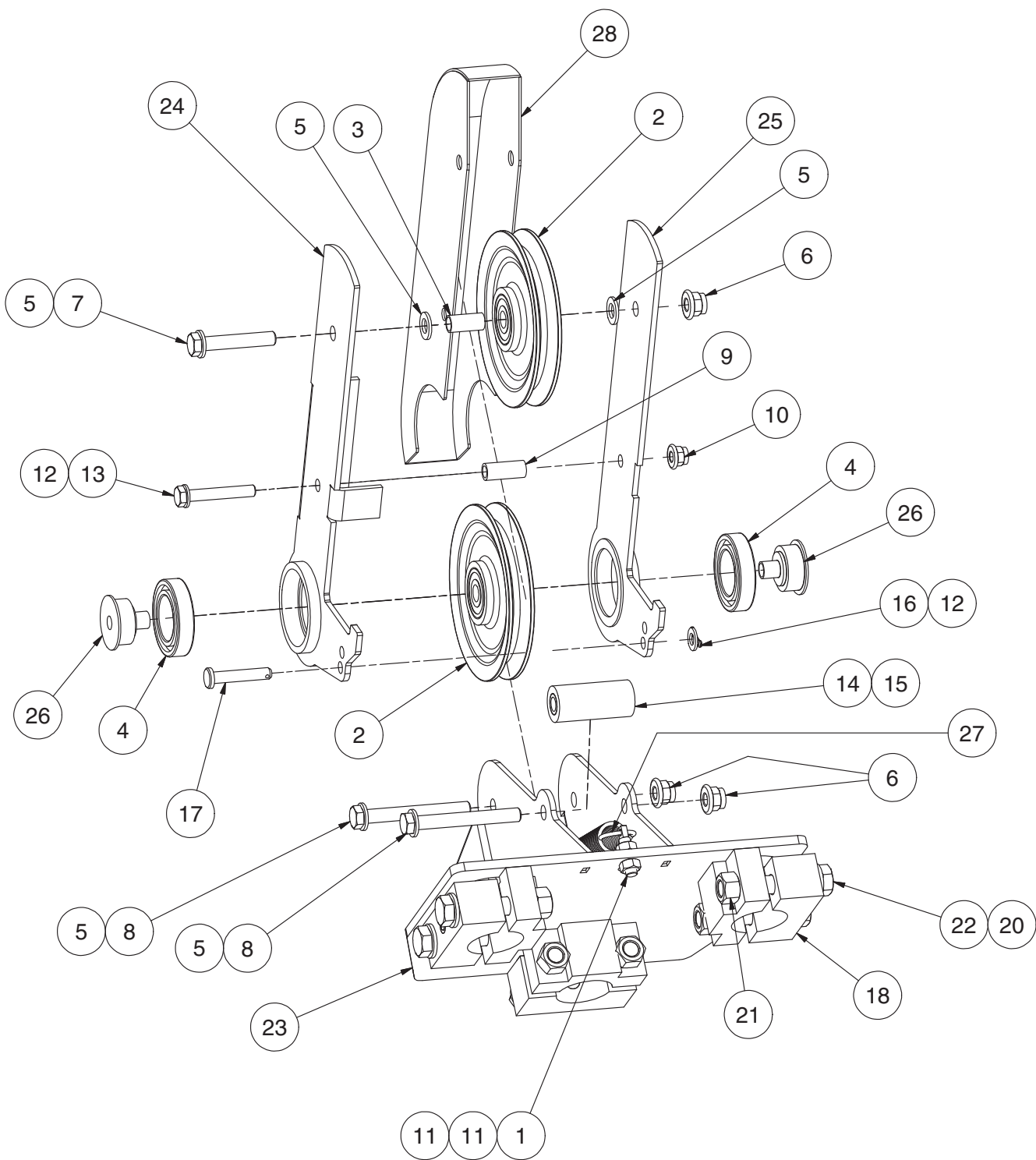
| Ref. No. | Part No. | Qty. | Description | Notes |
|----------|--------------|------|------------------------------|---|
| 1 | 3719 0016 03 | 1 | ARM | 500m |
| 2 | 3719 0016 02 | 1 | STAND | 500m |
| 3 | 3719 0000 56 | 1 | SHAFT | |
| 4 | 3719 0000 57 | 1 | BEARING HOUSING | |
| 5 | 3719 0016 01 | 1 | DRUM | 500m |
| 6 | 3719 0000 59 | 1 | FLANGE | |
| 7 | 3719 0017 12 | 1 | HUB | |
| 8 | 3719 0017 36 | 1 | LEVEL WIND SCREW U4 | |
| 9 | 3719 0000 62 | 1 | FOLLOWER HOUSING | |
| 10 | 3719 0000 63 | 1 | FOLLOWER | |
| 11 | 3719 0000 64 | 1 | SHAFT | |
| 12 | 3719 0000 65 | 4 | ROLLER | |
| 13 | 3719 0000 66 | 4 | ROLLER SHAFT | |
| 14 | 3719 0000 67 | 4 | SPACER | |
| 15 | 3719 0000 68 | 4 | SPACER | |
| 16 | 3719 0000 69 | 1 | BRACKET | |
| 17 | 3719 0016 20 | 1 | BELT COVER | |
| 19 | 0503 1090 06 | 1 | BALL BEARING | SELF ALIGNING BALL BEARING |
| 20 | 0502 1091 86 | 2 | BALL BEARING | |
| 21 | 3719 0001 20 | 4 | BEARING HOUSING | |
| 22 | 3137 0003 91 | 2 | PLAIN BEARING | |
| 23 | 0502 1222 00 | 1 | BALL BEARING | |
| 24 | 0502 1090 68 | 8 | BALL BEARING | |
| 25 | 3719 0017 89 | 1 | HYDRAULIC MOTOR..... | 315CC FIXED splines axis |
| 26 | 3719 0016 31 | 1 | BELT | L=850mm |
| 27 | 3719 0001 15 | 1 | SPROCKET | 14T |
| 28 | 3719 0016 32 | 1 | SPROCKET | 62T |
| 29 | 3719 0033 51 | 1 | TENSIONING PULLEY U4..... | |
| 30 | 3719 0001 18 | 2 | LOCK PIN | |
| 31 | 0211 1323 03 | 25 | CAP SCREW | MC6S M8 x 20 |
| 32 | 0211 1359 03 | 3 | CAP SCREW..... | MC6S 10 x 16 8.8 FZB |
| 33 | 0211 1405 03 | 4 | CAP SCREW..... | MC6S 12 x 50 8.8 FZB |
| 35 | 0211 1328 03 | 4 | CAP SCREW | MC6S 8 x 40 8.8 FZB |
| 36 | 0108 1690 39 | 4 | SPRING PIN | 4 x 25 connex |
| 37 | 0335 1132 00 | 1 | CIRCLIP | SGA 30 DIN 471 |
| 38 | 0335 1122 00 | 3 | CIRCLIP..... | SGA 20 |
| 39 | 0335 1145 00 | 1 | CIRCLIP..... | SGA 50 |
| 40 | 0335 2165 00 | 1 | CIRCLIP..... | SGH 90 DIN 472 |
| 41 | 0337 2617 00 | 2 | PARALLEL KEY | 6 x 6 x 18 TYPE A |
| 42 | 0211 1320 03 | 4 | CAP SCREW..... | MC6S 8 x 12 8.8 |
| 43 | 0544 1106 00 | 1 | LUB. NIPPLE | M6 |
| 44 | 0211 1368 03 | 3 | CAP SCREW | MC6S 10 x 55 8.8 FZB |
| 45 | 3719 0001 59 | 4 | SPACER | |
| 46 | 3719 0003 04 | 1 | HOUSING..... | |
| 47 | 3719 0003 05 | 1 | COVER | |
| 48 | 3719 0003 06 | 1 | INDICATOR DISC..... | |
| 49 | 0301 2344 00 | 3 | WASHER | BRB 10.5 x 20 x 2 |
| 50 | 3719 0018 17 | 1 | VALVE | UNLOADING FLANGABLE V2 |
| 51 | 0211 1253 00 | 1 | CAP SCREW..... | MC6S 6 x 45 |
| 52 | 0301 2344 00 | 4 | WASHER | BRB 10.5 x 20 x 2 |
| 53 | 3719 0015 33 | 1 | LOCK PLATE | |
| 54 | 0301 2344 00 | 4 | WASHER | BRB 10.5 x 20 x 2 |
| 55 | 0147 1330 03 | 2 | SCREW | M6S 8 x 50 |
| 56 | 0147 1323 03 | 2 | SCREW..... | M6S 8 x 20 |
| 57 | 3719 0011 12 | 1 | WIRELINE GUARD | |
| 58 | 3719 0015 05 | 1 | WIRELINE GUARD PLATE | |
| 59 | 0301 2344 00 | 4 | WASHER | BRB 10.5 x 20 x 2 |
| 60 | 0147 1330 03 | 2 | SCREW | M6S 8 x 50 |
| 61 | 0147 1323 03 | 2 | SCREW | M6S 8 x 20 |
| 62 | 0147 1322 03 | 2 | SCREW..... | M6S 8 x 16 |
| 63 | 0301 2340 00 | 4 | WASHER | BRB 10 x 18 x 2 |
| 64 | 0291 1110 00 | 2 | LOCK NUT | M8 LM6M |
| 65 | 3719 0017 11 | 1 | FLANGE | |
| 66 | 0502 1092 39 | 1 | BALL BEARING | TYP D2 D,100 D1,125 B13 RUBBER FRICTION |
| 67 | 0335 2177 00 | 1 | CIRCLIP | SGH 125 DIN 472 |
| 72 | 3176 6515 00 | 2 | NIPPLE | UN 7/8 x R 1/2 |
| 73 | 3715 0585 00 | 2 | ELBOW..... | 90 GRAD. UN 7/8 U x UN 7/8 I |
| 74 | 3176 6351 00 | 1 | ELBOW..... | R 1/4 x UN 9/16-18 |
| 75 | 3176 5429 00 | 1 | CAP..... | UN 9/16"-18 |
| 76 | 3715 0597 00 | 2 | CAP..... | UN 7/8"-14 |
| - | 0147 1403 03 | 4 | SCREW..... | M6S 12 x 40 |
| - | 0301 2164 00 | 8 | WASHER | BRB 13.5 x 24 x 2 FZB |
| - | 0291 1128 23 | 4 | LOCK NUT | M12 8 fzb ISO 7043 |
| - | 3719 0017 86 | 1 | DISTANCE FOR HYD MOTOR | WIRELINE |

Top pulley

Optional equipment

Oberes Umlenrad / Masttopp / Tête de mât / Cabeza de mástil / Cabeça de mastro

3719 0019 38



Top pulley

Optional equipment

Oberes Umlenkrad / Masttopp / Tête de mât / Cabeza de mástil / Cabeça de mastro

3719 0019 38

| Ref. No. | Part No. | Qty. | Description | Notes |
|----------|--------------|------|---------------------------|--------------------------|
| 1 | 3719 0002 38 | 1 | SPRING BRACKET..... | |
| 2 | 3719 0025 41 | 2 | IDLER PULLEY..... | |
| 3 | 3719 0017 85 | 1 | DISTANCE TUBE..... | |
| 4 | 0502 1229 00 | 2 | BALL BEARING..... | 6008 2RS1 |
| 5 | 0301 2358 00 | 5 | WASHER..... | BRB 13 x 24 x 2.5 |
| 6 | 0291 1128 23 | 3 | LOCK NUT..... | M12 8 fzb ISO 7043 |
| 7 | 0147 1409 03 | 1 | SCREW..... | M12x70 FZB M6S 12 x 70 |
| 8 | 0147 1415 03 | 2 | SCREW..... | M12x100 FZB M6S 12 x 100 |
| 9 | 3719 0019 64 | 1 | SPACER TUBE..... | |
| 10 | 0291 1128 21 | 1 | LOCK NUT..... | M10, FLANGED |
| 11 | 0266 2111 00 | 2 | HEX. NUT..... | M10 FZB M6M M10 |
| 12 | 0301 2344 00 | 2 | WASHER..... | BRB 10.5 x 20 x 2 |
| 13 | 0147 1370 03 | 1 | SCREW..... | M6S 10 x 65 |
| 14 | 3719 0019 37 | 1 | SHOCK ABSORBER..... | |
| 15 | 3719 0019 36 | 1 | DISTANCE TUBE..... | |
| 16 | 0111 1278 00 | 1 | SPLIT PIN..... | 3,2 X 18 |
| 17 | 0113 4615 27 | 1 | CLEVIS PIN..... | 10X55 |
| 18 | 3719 0002 05 | 3 | CLAMP..... | |
| 19 | 0190 1472 00 | 3 | SET SCREW..... | M16 X 20 |
| 20 | 0301 2378 00 | 6 | WASHER..... | BRB 17 x 30 x 3 |
| 21 | 0266 2114 00 | 6 | HEX. NUT..... | M16 FZB M6M M16 |
| 22 | 0147 1487 03 | 6 | SCREW..... | M16x90 FZB M6S 16 x 90 |
| 23 | 3719 0019 30 | 1 | TOP PULLEY BASE..... | |
| 24 | 3719 0019 31 | 1 | TILT ARM, LEFT..... | |
| 25 | 3719 0019 32 | 1 | TILT ARM, LEFT..... | |
| 26 | 3719 0019 33 | 2 | BEARING DISTANCE..... | |
| 27 | 3719 0019 34 | 1 | SPRING..... | |
| 28 | 3719 0019 35 | 1 | COVER FOR TOP PULLEY..... | |

WL hose kit

3719 0006 08

| Ref. No. | Part No. | Qty. | Size. | Lenght | Notes |
|----------|--------------|------|------------|----------|-------|
| 12 | 0574 0071 55 | 1 | 1/2" | 1 500 mm | WLout |
| 13 | 0574 0071 55 | 1 | 1/2" | 1 500 mm | WLin |
| 20 | 0574 0071 61 | 1 | 1/4" | 2 200 mm | WLpi |

Wire line

Optional equipment

Seilwinde / Wirelinespel / Treuil pour carottiers à câble / Cabrestante wire line Argano/ Guincho de "wire line"

3719 0018 33

Wire line

Optional equipment

Seilwinde / Wirelinespel / Treuil pour carottiers à câble / Cabrestante wire line Argano/ Guincho de "wire line"

3719 0018 33

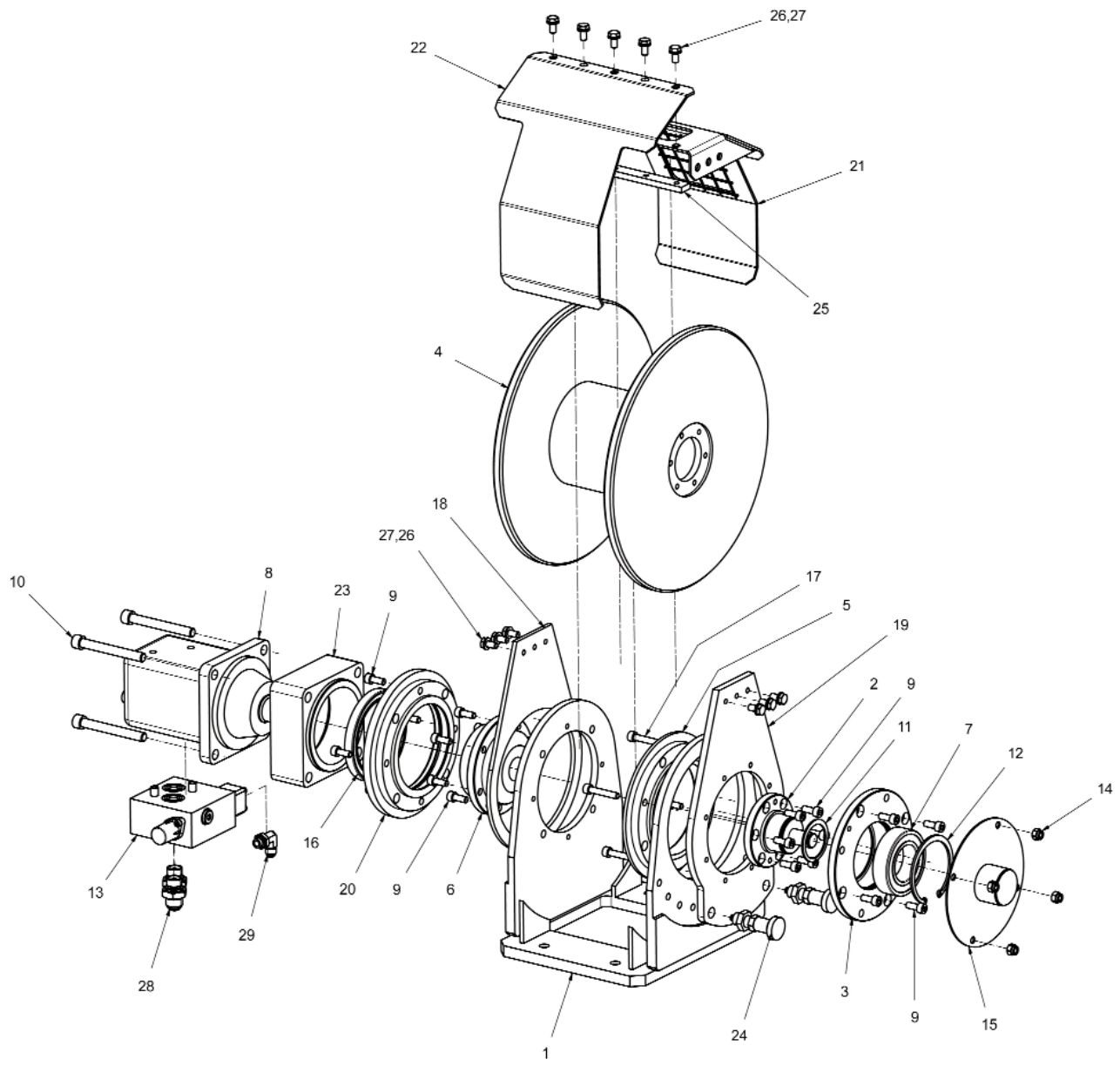
| Ref. No. | Part No. | Qty. | Description | Notes |
|----------|--------------|------|-------------------------------|--------|
| - | 3719 0018 00 | 1 | WIRE LINE HOIST ASSY(B) | 500m |
| - | 3719 0019 38 | 1 | TOP PULLEY ASSEMBLY(B) | |
| - | 3719 0006 08 | 1 | WL 1000 HOSE KIT(B) | |
| - | 3719 0004 45 | 3 | PIPE EXTENSION(B) | (1,5M) |

Wire line

Optional equipment

Seilwinde / Wirelinespel / Treuil pour carottiers à câble / Cabrestante wire line Argano/ Guincho de "wire line"

3719 0018 00



Wire line

Optional equipment

Seilwinde / Wirelinespel / Treuil pour carottiers à câble / Cabrestante wire line Argano/ Guincho de "wire line"

3719 0018 00

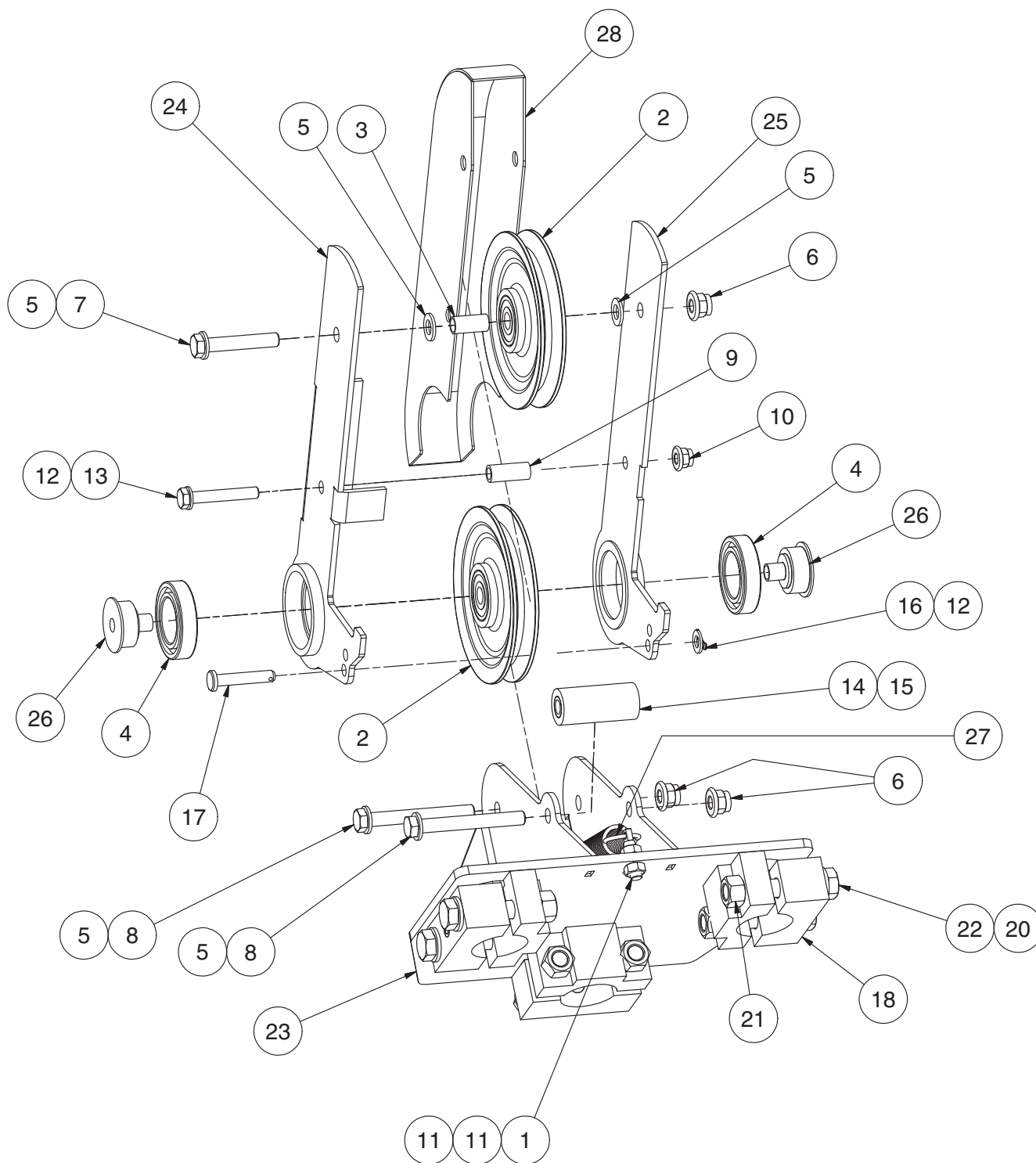
| Ref. No. | Part No. | Qty. | Description | Notes |
|----------|--------------|------|---------------------------------|------------------------------|
| 1 | 3719 0016 02 | 1 | STAND | 500m |
| 2 | 3719 0000 56 | 1 | SHAFT | |
| 3 | 3719 0000 57 | 1 | BEARING HOUSING | |
| 4 | 3719 0016 01 | 1 | DRUM | 500m |
| 5 | 3719 0000 59 | 5 | FLANGE | |
| 6 | 3719 0017 12 | 1 | HUB | |
| 7 | 0503 1090 06 | 1 | BALL BEARING | SELF ALIGNING BALL BEARING |
| 8 | 3719 0017 89 | 1 | HYDRAULIC MOTOR..... | 315CC FIXED splines axis |
| 9 | 0211 1323 03 | 25 | CAP SCREW..... | MC6S M8 x 20 |
| 10 | 0211 1413 00 | 4 | CAP SCREW..... | MC6S 12 x 90 12.9 |
| 11 | 0335 1145 00 | 1 | CIRCLIP..... | SGA 50 |
| 12 | 0335 2165 00 | 1 | CIRCLIP..... | SGH 90 DIN 472 |
| 13 | 3719 0018 17 | 1 | VALVE | UNLOADING FLANGABLE V2 |
| 14 | 0301 2344 00 | 4 | WASHER | BRB 10.5 x 20 x 2 |
| 15 | 0147 1330 03 | 2 | SCREW..... | M6S 8 x 50 |
| 16 | 0147 1323 03 | 2 | SCREW..... | M6S 8 x 20 |
| 17 | 0147 1322 03 | 2 | SCREW | M6S 8 x 16 |
| 18 | 0301 2340 00 | 4 | WASHER | BRB 10 x 18 x 2 |
| 19 | 0291 1110 00 | 2 | LOCK NUT | M8 LM6M |
| 20 | 3719 0017 11 | 1 | FLANGE | |
| 21 | 0502 1092 39 | 1 | BALL BEARING | TYP D2 D,100 D1,125 B13 |
| 22 | 0335 2177 00 | 1 | CIRCLIP..... | SGH 125 DIN 472 |
| 23 | 3719 0017 86 | 1 | DISTANCE FOR HYD MOTOR | WIRELINE |
| 24 | 3719 0017 98 | 1 | DISTANCE BRACKET,WIRELINE | 500m HYDRAULIC MOTOR SIDE |
| 25 | 3719 0017 99 | 1 | DISTANCE BRACKET,WIRELINE | 500m |
| 26 | 3176 6515 00 | 2 | NIPPLE | UN 7/8 x R 1/2 |
| 27 | 3715 0585 00 | 2 | ELBOW | 90 GRAD. UN 7/8 U x UN 7/8 I |
| 28 | 3176 6351 00 | 1 | ELBOW | R 1/4 x UN 9/16-18 |
| 29 | 3176 5429 00 | 1 | CAP..... | UN 9/16"-18 |
| 30 | 3715 0597 00 | 2 | CAP | UN 7/8"-14 |
| - | 3719 0006 08 | 1 | WL HOSE KIT..... | |

Top pulley

Optional equipment

Oberes Umlenkrad / Masttopp / Tête de mât / Cabeza de mástil / Cabeça de mastro

3719 0019 38



Top pulley

Optional equipment

Oberes Umlenkrad / Masttopp / Tête de mât / Cabeza de mástil / Cabeça de mastro

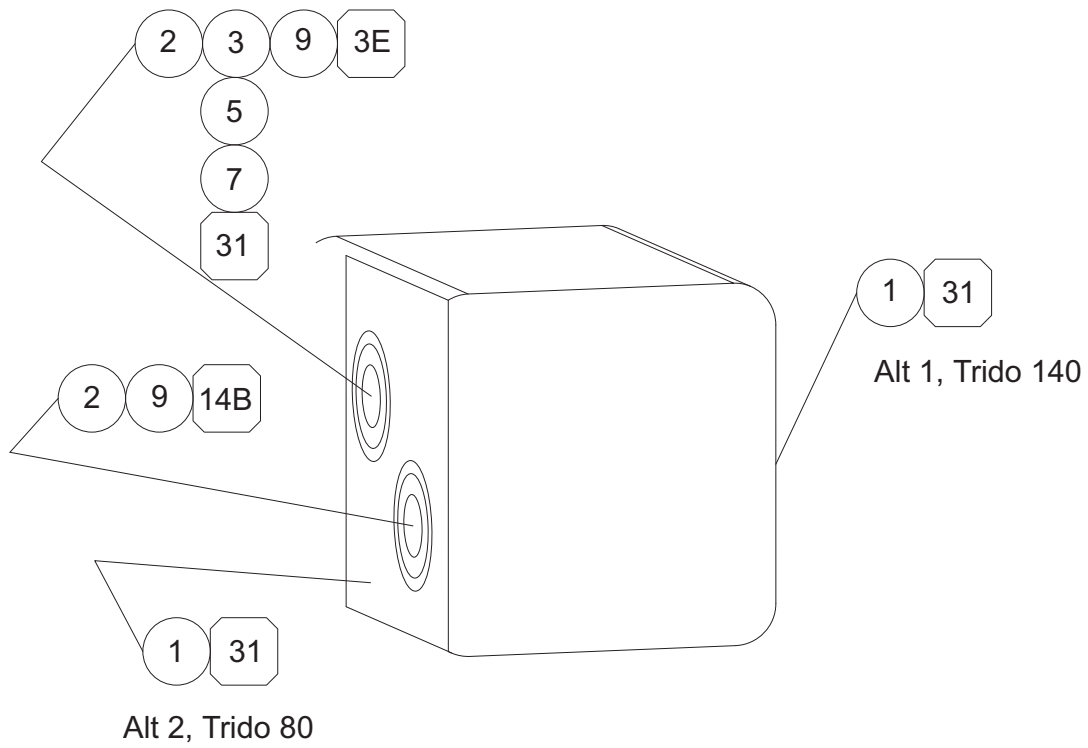
3719 0019 38

| Ref. No. | Part No. | Qty. | Description | Notes |
|----------|--------------|------|---------------------------|--------------------------|
| 1 | 3719 0002 38 | 1 | SPRING BRACKET..... | |
| 2 | 3719 0025 41 | 2 | IDLER PULLEY..... | |
| 3 | 3719 0017 85 | 1 | DISTANCE TUBE..... | |
| 4 | 0502 1229 00 | 2 | BALL BEARING..... | 6008 2RS1 |
| 5 | 0301 2358 00 | 5 | WASHER..... | BRB 13 x 24 x 2.5 |
| 6 | 0291 1128 23 | 3 | LOCK NUT..... | M12 8 fzb ISO 7043 |
| 7 | 0147 1409 03 | 1 | SCREW..... | M12x70 FZB M6S 12 x 70 |
| 8 | 0147 1415 03 | 2 | SCREW..... | M12x100 FZB M6S 12 x 100 |
| 9 | 3719 0019 64 | 1 | SPACER TUBE..... | |
| 10 | 0291 1128 21 | 1 | LOCK NUT..... | M10, FLANGED |
| 11 | 0266 2111 00 | 2 | HEX. NUT..... | M10 FZB M6M M10 |
| 12 | 0301 2344 00 | 2 | WASHER..... | BRB 10.5 x 20 x 2 |
| 13 | 0147 1370 03 | 1 | SCREW..... | M6S 10 x 65 |
| 14 | 3719 0019 37 | 1 | SHOCK ABSORBER..... | |
| 15 | 3719 0019 36 | 1 | DISTANCE TUBE..... | |
| 16 | 0111 1278 00 | 1 | SPLIT PIN..... | 3,2 X 18 |
| 17 | 0113 4615 27 | 1 | CLEVIS PIN..... | 10X55 |
| 18 | 3719 0002 05 | 3 | CLAMP..... | |
| 19 | 0190 1472 00 | 3 | SET SCREW..... | M16 X 20 |
| 20 | 0301 2378 00 | 6 | WASHER..... | BRB 17 x 30 x 3 |
| 21 | 0266 2114 00 | 6 | HEX. NUT..... | M16 FZB M6M M16 |
| 22 | 0147 1487 03 | 6 | SCREW..... | M16x90 FZB M6S 16 x 90 |
| 23 | 3719 0019 30 | 1 | TOP PULLEY BASE..... | |
| 24 | 3719 0019 31 | 1 | TILT ARM, LEFT..... | |
| 25 | 3719 0019 32 | 1 | TILT ARM, LEFT..... | |
| 26 | 3719 0019 33 | 2 | BEARING DISTANCE..... | |
| 27 | 3719 0019 34 | 1 | SPRING..... | |
| 28 | 3719 0019 35 | 1 | COVER FOR TOP PULLEY..... | |

WL hose kit

3719 0006 08

| Ref. No. | Part No. | Qty. | Size. | Lenght | Notes |
|----------|--------------|------|------------|----------|-------|
| 12 | 0574 0071 55 | 1 | 1/2" | 1 500 mm | WLout |
| 13 | 0574 0071 55 | 1 | 1/2" | 1 500 mm | WLin |
| 20 | 0574 0071 61 | 1 | 1/4" | 2 200 mm | WLpi |



(No) Fittings.

(No) Hoses see hydraulic diagram.

Water pump fitting kit

3719 0006 02

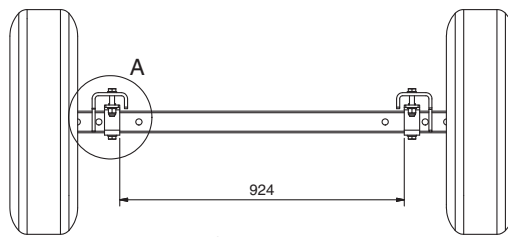
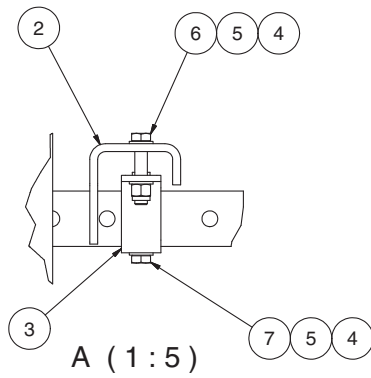
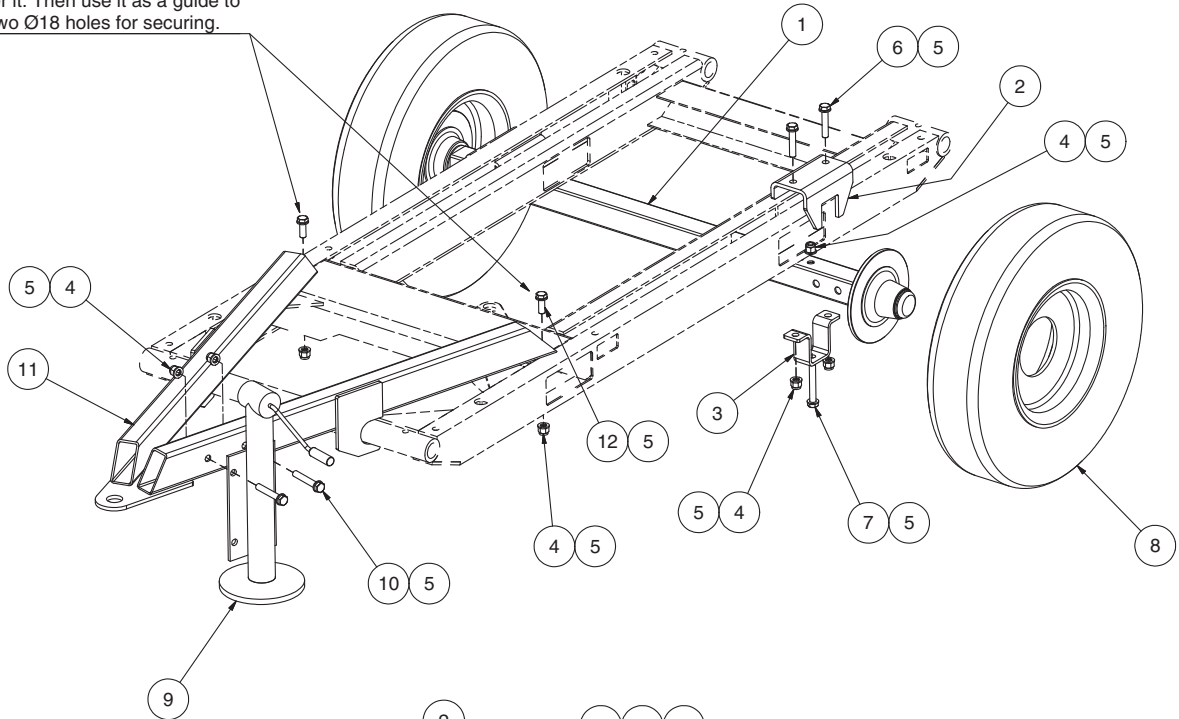
| Ref. No. | Part No. | Qty. | Description | Notes |
|----------|--------------|------|---------------|----------------------------------|
| 1 | 3176 6511 00 | 1 | FITTING | JIC 3/4 X G1/4 S |
| 2 | 3176 6516 00 | 2 | FITTING | JIC1.1/16 X G1/2 S |
| 3 | 3176 6591 00 | 1 | TEE | JIC1.1/16 X 1.1/16IR X 1.1/16 LS |
| 5 | 3176 6504 00 | 1 | REDUCER | JIC1.1/16 IN X 3/4 S |
| 7 | 3176 2930 00 | 1 | TUBENUT | JIC1.1/16 S |
| 9 | 3715 0820 00 | 2 | CAP | JIC1.1/16 S |
| 3l | 0574 0071 76 | 1 | HOSE | 3/8" L=600 |
| - | 3715 0598 00 | 2 | PLUG | UN 1 1/16"-12 |

For Hoses see Hydraulic Diagram

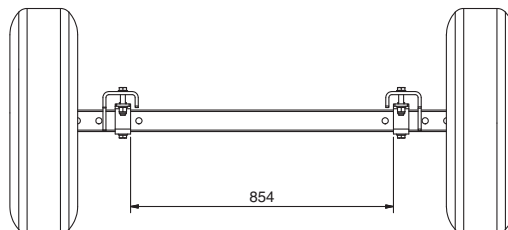
Wheel kit

3719 0041 71

Place Pull Bar (3719 0041 65) on skid according to this drawing and center it. Then use it as a guide to drill two $\varnothing 18$ holes for securing.



Configuration: U4

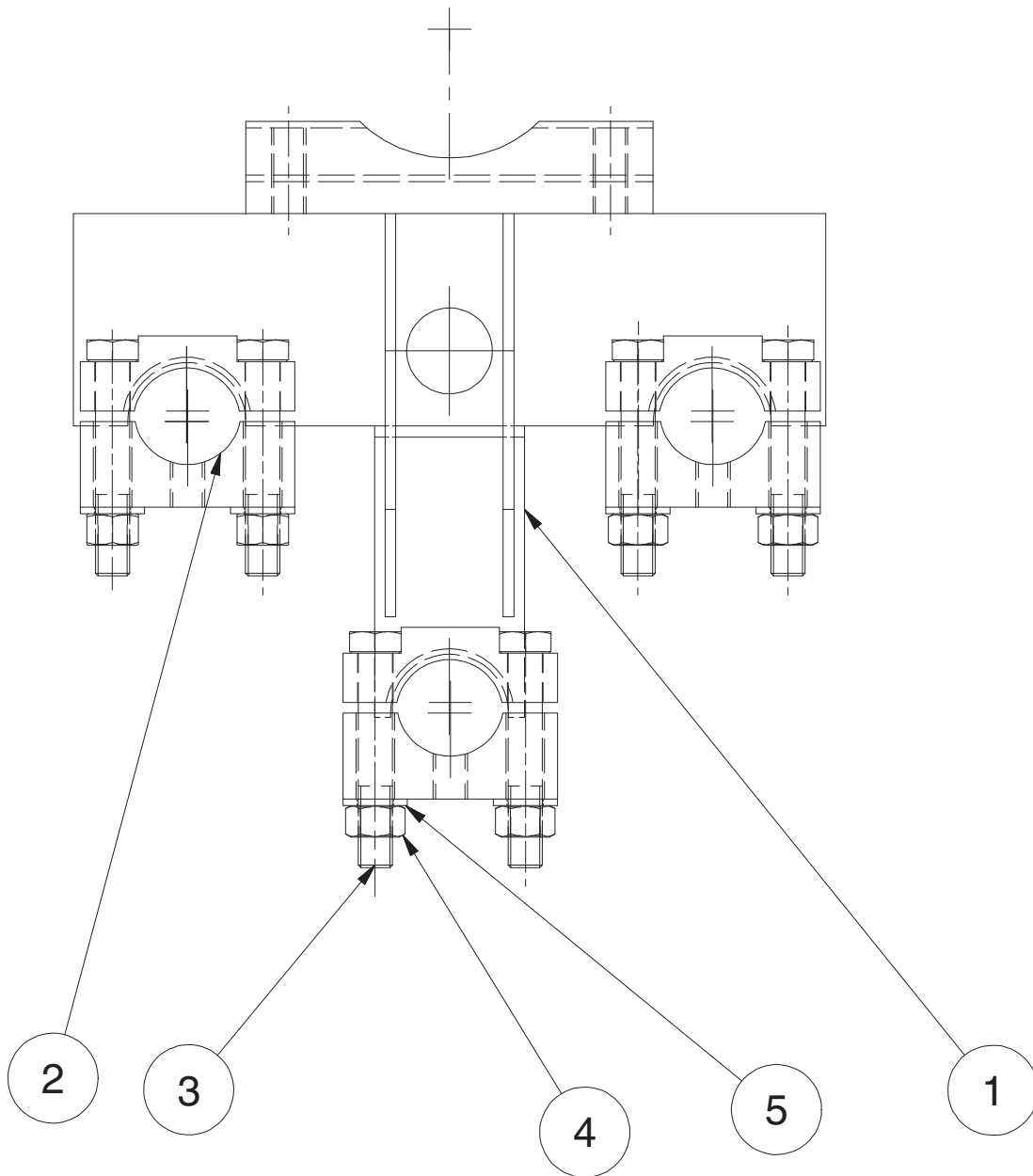


Configuration: U6

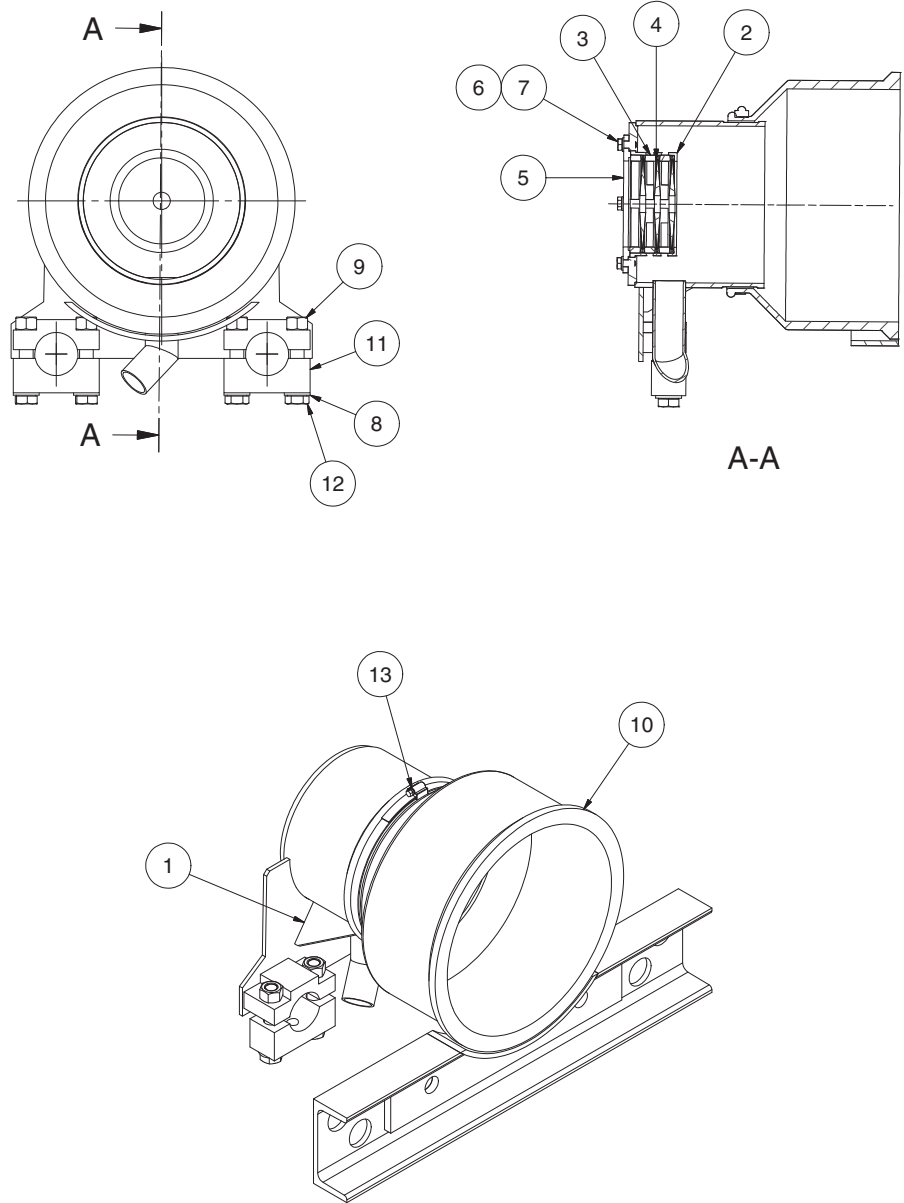
Wheel kit

3719 0041 71

| Ref. No. | Part No. | Qty. | Description | Notes |
|----------|--------------|------|------------------------|----------------------------------|
| 1 | 3719 0041 66 | 1 | WHEEL AXLE..... | U4/U6 |
| 2 | 3719 0019 68 | 2 | WHEEL KIT CLAMP..... | U4/U6 |
| 3 | 3719 0041 68 | 2 | WHEEL KIT BRACKET..... | PU 45/55/75 |
| 4 | 0291 1128 25 | 10 | LOCK NUT..... | M16 FZB M16 FZB |
| 5 | 0301 2378 00 | 20 | WASHER..... | BRB 17 x 30 x 3 |
| 6 | 0147 1485 03 | 4 | SCREW..... | M16x80 FZB M6S 16 x 80 |
| 7 | 0147 1491 03 | 2 | SCREW..... | M16x110 FZB M6S 16 x 110 8.8 |
| 8 | 3719 0009 98 | 2 | WHEEL..... | |
| 9 | 3719 0011 86 | 1 | SUPPORT LEG..... | 3000 KG |
| 10 | 0147 1489 03 | 2 | SCREW..... | M16x100 FZB M6S 16 x 100 FZB 8.8 |
| 11 | 3719 0041 65 | 1 | PULL BAR..... | U4/U6 |
| 12 | 0147 1478 03 | 2 | SCREW..... | M16x45 FZB M6S 16 x 45 |



| Ref. No. | Part No. | Qty. | Description | Notes |
|----------|--------------|------|----------------------------|----------------------------------|
| 1 | 3719 0041 59 | 1 | CASING CLAMP BRACKET | |
| 2 | 3719 0002 05 | 3 | CLAMP | |
| 3 | 0147 1489 03 | 6 | SCREW | M16x100 FZB M6S 16 x 100 FZB 8.8 |
| 4 | 0301 2378 00 | 6 | WASHER | BRB 17 x 30 x 3 |
| 5 | 0266 2114 00 | 6 | HEX. NUT | M16 FZB M6M M16 |



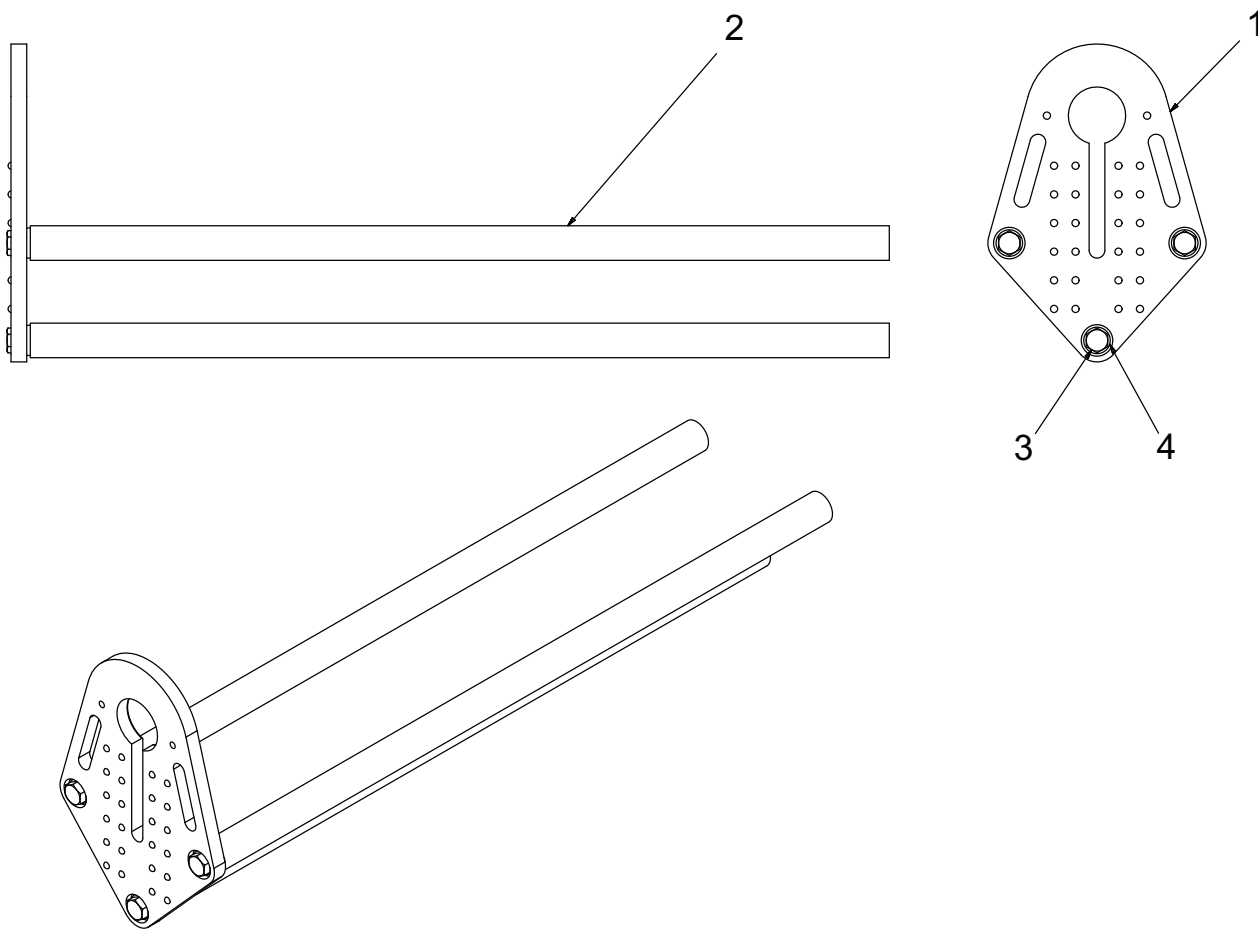
| Ref. No. | Part No. | Qty. | Description | Notes |
|----------|--------------|------|----------------------------|------------------------|
| 1 | 3719 0041 86 | 1 | WATER COLLECTOR BASE | |
| 2 | 3719 0032 46 | 1 | RETAINER | |
| 3 | 3719 0032 47 | 3 | SPACER | |
| 4 | 3719 0032 48 | 3 | SEALRING | |
| 5 | 3719 0032 51 | 1 | FLANGE | |
| 6 | 0301 2335 00 | 4 | WASHER | BRB 8.4 x 16 x 1.6 SS |
| 7 | 0147 1322 03 | 4 | SCREW..... | M8x16 FZB M6S 8 x 16 |
| 8 | 0301 2378 00 | 4 | WASHER | BRB 17 x 30 x 3 |
| 9 | 0266 2114 00 | 4 | HEX. NUT | M16 FZB M6M M16 |
| 10 | 3217 0528 00 | 1 | BELLOWS | |
| 11 | 3719 0002 05 | 2 | CLAMP | |
| 12 | 0147 1487 03 | 4 | SCREW..... | M16x90 FZB M6S 16 x 90 |
| 13 | 0347 6123 00 | 1 | HOSE CLIP..... | 205 x 232 |
| 14 | 3719 0041 88 | 1 | WALL BRACKET | |

Keyhole wall bracket

Optional equipment

Wandbefastigung / Bergfäste / Bride à scellement / Soporte de pare / Suporte de parede

3719 0017 77



3719 0017 77

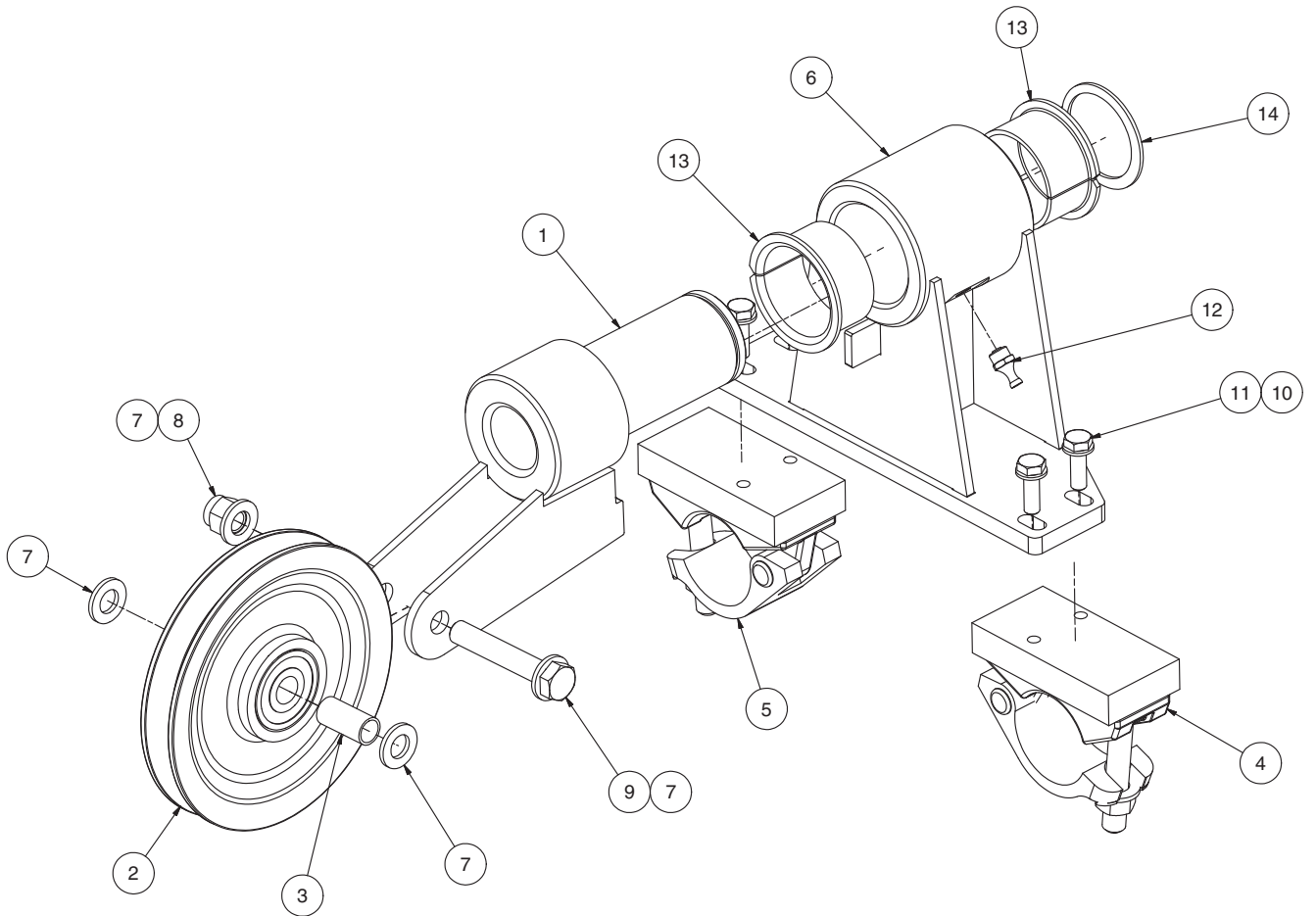
| Ref. No. | Part No. | Qty. | Description | Notes |
|----------|--------------|------|------------------------|------------------|
| 1 | 3719 0017 31 | 1 | KEY HOLE BRACKET | |
| 2 | 3715 6973 00 | 3 | EXTENSION LEG | |
| 3 | 0301 2193 00 | 3 | WASHER | BRB 21 x 34 x 3 |
| 4 | 0147 1552 03 | 3 | SCREW | M6S M20 x 55 FZB |

Steep uphole adapter

Optional equipment

Wandbefastigung / Bergfäste / Bride à scellement / Soporte de pared / Suporte de parede

3719 0017 71



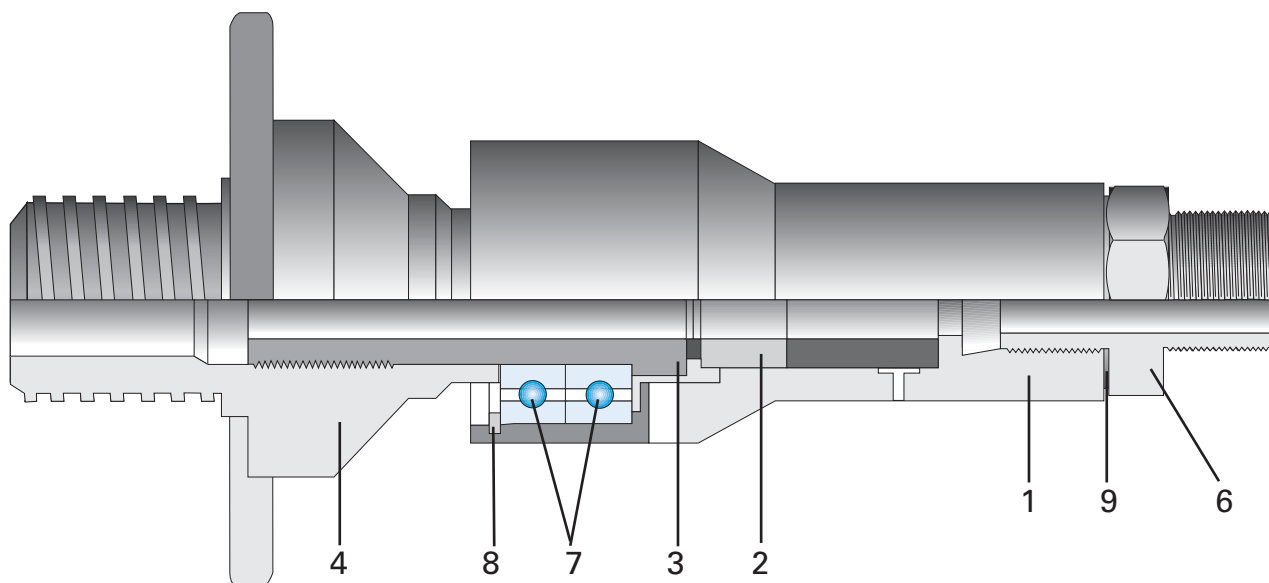
| Ref. No. | Part No. | Qty. | Description | Notes |
|----------|--------------|------|--------------------------------|------------------------|
| 1 | 3719 0041 73 | 1 | STEEP UPHOLE PULLEY BRACKET.. | |
| 2 | 3719 0025 41 | 1 | IDLER PULLEY | |
| 3 | 3719 0017 85 | 1 | DISTANCE TUBE | |
| 4 | 3719 0017 80 | 1 | DISTANCE BRACKET ASSEMBLY | LEFT |
| 5 | 3719 0017 81 | 1 | DISTANCE BRACKET ASSEMBLY | RIGHT |
| 6 | 3719 0041 74 | 1 | STEEP UPHOLE PULLEY BASE | |
| 7 | 0301 2358 00 | 4 | WASHER | BRB 13 x 24 x 2.5 |
| 8 | 0291 1128 22 | 1 | LOCK NUT | M12 |
| 9 | 0147 1409 03 | 1 | SCREW | M12x70 FZB M6S 12 x 70 |
| 10 | 0301 2335 00 | 4 | WASHER | BRB 8.4 x 16 x 1.6 SS |
| 11 | 0147 1325 03 | 4 | SCREW | M8X25 FZB M6S 8 x 25 |
| 12 | 0544 1100 12 | 1 | LUB. NIPPLE | H1 M10 X 1 |
| 13 | 0500 4500 92 | 2 | RADIAL BEARING FLANGE | |
| 14 | 0335 1145 00 | 1 | CIRCLIP..... | SGA 50 |

Water swivel 18/0

Optional equipment

Wasser spülkopf / Vatten leka / Touret d'injection d'eau / Giratoria para agua / Testa di iniezione acqua / Cabeça de injeção água

8070 0107 42



8070 0107 42

| Ref. No. | Part No. | Qty. | Description | Notes |
|----------|--------------|------|-------------------|----------------|
| 1 | 3702 0162 00 | 1 | HOUSING..... | WS 18/0 |
| 2 | 3702 0163 00 | 1 | SEAL RING..... | WS 18/0 |
| 3 | 3702 0164 00 | 1 | SEAL RING..... | WS 18/0 |
| 4 | 3702 0165 00 | 1 | COUPLING..... | WS 18/0 |
| 6 | 3715 2545 00 | 1 | NIPPLE..... | 3/4 x 3/4 |
| 7 | 0502 1221 01 | 2 | BALL BEARING..... | 6005-2RS1 |
| 8 | 0335 2143 00 | 1 | CIRCLIP..... | SGH 47 DIN 472 |
| 9 | 0661 1038 00 | 1 | SEAL RING..... | TREDO 20 |

Tachometer kit

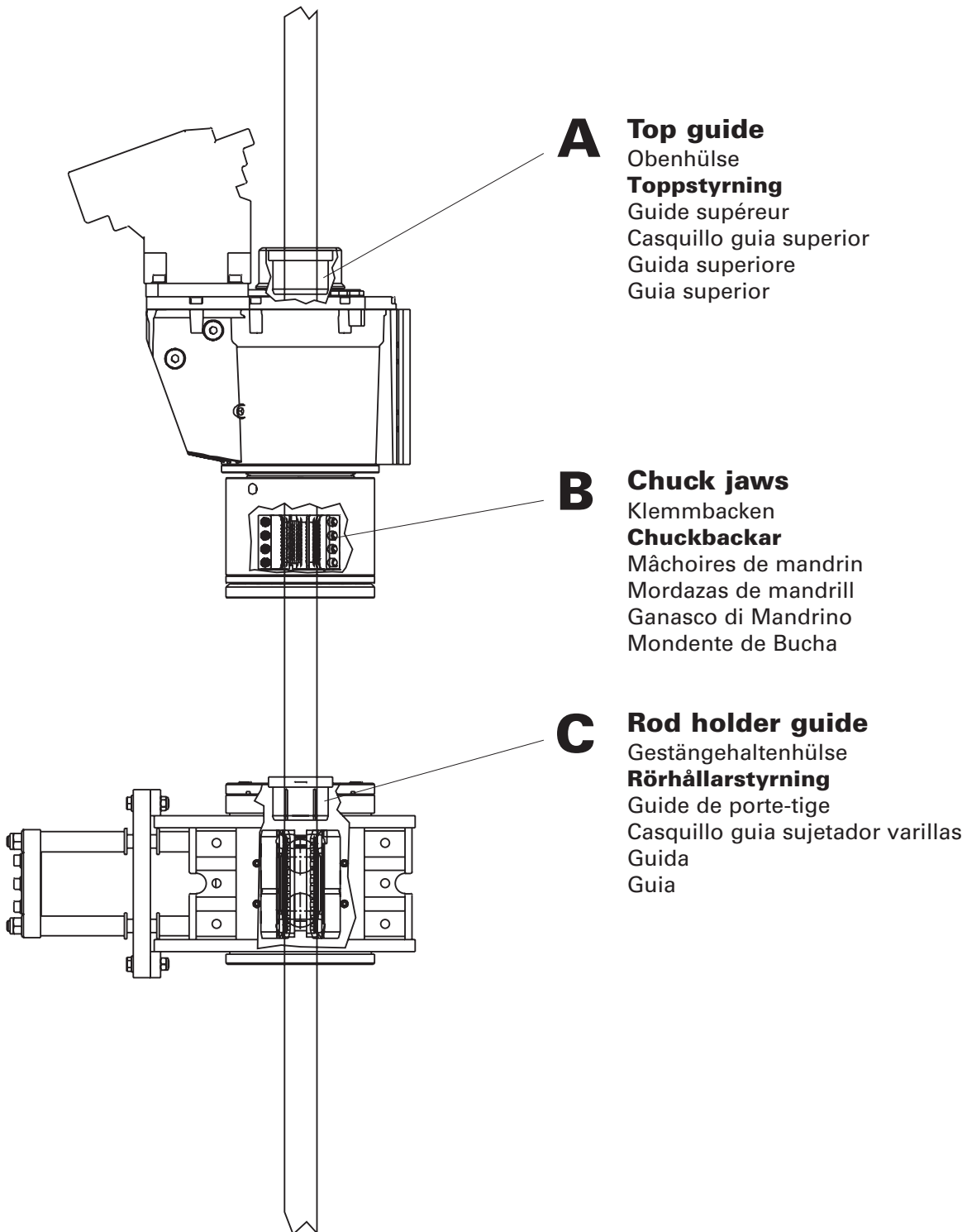
3716 6061 92

| Ref. No. | Part No. | Qty. | Description | Notes |
|----------|--------------|------|---------------------|---------------------------------|
| 40 | 3716 6061 00 | 1 | TACHOMETER..... | RPM COUNTER DT900000 |
| 49 | 0698 5106 00 | 1 | CABLE FITTING..... | 1461104 |
| 50 | 0697 9803 00 | 1 | NUT..... | PR 18.6(E1465004) |
| 51 | 3716 6109 00 | 16 | CABLE | |
| 52 | 3716 5819 00 | 1 | INSERT..... | MALE/FEMALE CONNECTION 3 Ampere |
| 53 | 3716 5818 00 | 1 | INSERT..... | MALE 3A |
| 54 | 3716 5821 00 | 1 | PROTECTION | COVER 3 A |
| 55 | 3716 5823 00 | 1 | PROTECTION | COVER 3 A |
| 68 | 3715 6658 00 | 1 | TRANSMITTER | |
| 74 | 3719 0019 25 | 1 | GUIDE COVER..... | |
| 75 | 3719 0041 75 | 1 | SENSOR BRACKET..... | |

Jaws and guides A-N size rotation unit

Optional equipment

Backen und Führungen / Backar och styrningar / Mâchoires et guides / Mordazas y guias / More e guide / Guias e mordentes



Jaws and guide bushing A-N size rotation unit

Optional equipment

Backen und Führungen / Backar och styrningar / Mâchoires et guides / Mordazas y guías / More e guide / Guias e mordentes

| Ref. No. | Part No. | Qty. | Internal diameter | For drill rod | For casing | Max. core barrel |
|----------|----------|------|--------------------|---------------|-------------------|------------------|
| Réf. N° | Pièce | Qte | Inner diameter | För borrhör | För beklädnadsrör | Max.kärnrör |
| | | | Diamètre intérieur | Pour tige | Pour tubage | Carottier max |

A Top guide bushing (mm)

| | | | | | |
|--------------|---|----|-----------------------|----------|--------|
| 3715 6282 00 | 1 | 47 | 42, 43, AW, AQ,AT | 44.2, EW | 46 |
| 3715 6283 00 | 1 | 50 | 42, 43, AW, AQ,AT | 44.2, EW | A |
| 3715 6284 00 | 1 | 57 | 50, 53, BW, BQ,AT | 54.2, AW | 56 |
| 3715 6285 00 | 1 | 62 | 50, 53, 60, BW, BQ,BT | 54.2, AW | B |
| 3715 8259 00 | 1 | 76 | NW, NQ,NT | 74.3, BW | 76, NQ |

* No bushing in holder

B Chuck jaw kits (mm) (contains 4 jaws) (Jawholder kits 3719 0006 63)

Steel inserts

| | | | | | |
|--------------|---|----|-----------------------|--|------|
| 3719 0007 06 | 1 | 43 | 42,43 | | 46 |
| 3719 0007 07 | 1 | 45 | AWJ,AGM,AQ,AT,44,EW | | 48,A |
| 3719 0007 08 | 1 | 50 | | | |
| 3719 0007 09 | 1 | 54 | 50,53 | | 56 |
| 3719 0007 10 | 1 | 60 | BWJ,BQ,(BGM),BT,54,AW | | 60,B |
| 3719 0007 11 | 1 | 70 | NQ,NW,NWJ,NT,BW | | 76,N |

Tungsten Carbide Inserts

| | | | | | |
|--------------|---|----|---------------------|--|------|
| 3715 8381 80 | 1 | 45 | AWJ,AQ,AT,AGM,44,EW | | 48,A |
| 3715 8387 80 | 1 | 50 | 50,EW | | 56 |
| 3715 8365 80 | 1 | 55 | BWJ,BQ,BT,BGM,AW,54 | | 60,B |
| 3715 8394 80 | 1 | 70 | NQ,NW,NWJ,NT,BW | | 76,N |

C Rod holder guide bushing (mm)

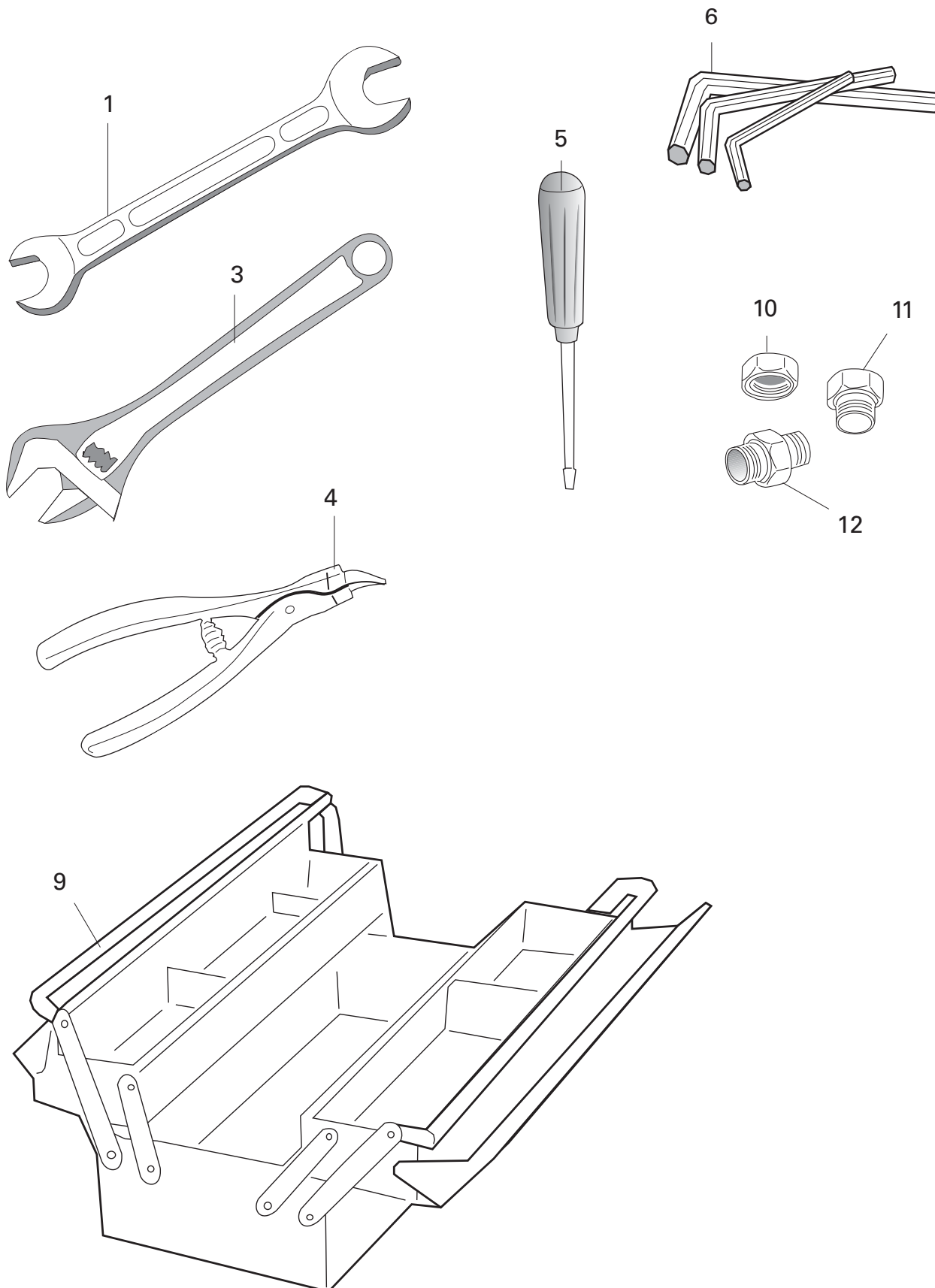
| | | | | | |
|--------------|---|----|-----------------------|----------|--------|
| 3715 6282 00 | 1 | 47 | 42, 43, AW, AQ,AT | 44.2, EW | 46 |
| 3715 6283 00 | 1 | 50 | 42, 43, AW, AQ,AT | 44.2, EW | A |
| 3715 6284 00 | 1 | 57 | 50, 53, BW, BQ,AT | 54.2, AW | 56 |
| 3715 6285 00 | 1 | 62 | 50, 53, 60, BW, BQ,BT | 54.2, AW | B |
| 3719 0001 61 | 1 | 76 | NW, NQ,NT | 74.3, BW | 76, NQ |

* No bushing in holder

Set of tools

Werkzeugsatz / Verkttygssats / Outillage / Juego de herramientas / Utensili / Ferramentas

3719 0004 87



Set of tools

Werkzeugsatz / Verkytgssats / Outillage / Juego de herramientas / Utensili / Ferramentas

3719 0004 87

| Ref. No. | Part No. | Qty. | Description | Notes |
|----------|--------------|------|-------------------------|------------------|
| 1 | 0902 1078 00 | 1 | Key..... | 19-22 mm |
| | 0902 1118 00 | 1 | Key..... | 27-30 mm |
| | 0902 1140 00 | 1 | Key..... | 32-36 mm |
| | 3715 7901 00 | 1 | Key | 38 mm |
| 2 | 0902 1100 00 | 1 | Key | 24-27 mm |
| 3 | 0902 7010 00 | 1 | Adjustable wrench | -34 mm |
| 4 | 0903 0154 00 | 1 | Plier | C 40, 40-100 mm |
| 5 | 3715 7902 00 | 1 | Screw driver | 8x175 |
| 6 | 3715 0954 00 | 1 | Hex key set | 1,5-12 mm |
| 9 | 3715 0959 00 | 1 | Tool box..... | |
| 10 | 3176 5313 00 | 2 | Cap | UN3/4-16 |
| | 3176 5429 00 | 3 | Cap | UN9/16-18 |
| | 3715 0597 00 | 5 | Cap | UN7/8-14 |
| | 3715 0820 00 | 2 | Cap | UN1 1/16-12 |
| | 3715 0819 00 | 1 | Cap | UN1 15/16-12 |
| 11 | 3176 5563 00 | 2 | Plug | UN3/4-16 |
| | 3715 0598 00 | 2 | Plug | UN1 1/16-12 |
| | 3715 0599 00 | 5 | Plug | UN7/8-14 |
| | 3715 0600 00 | 3 | Plug | UN 9/16-18 |
| | 3715 0821 00 | 1 | Plug | UN 15/16-12 |
| 12 | 3715 0581 00 | 1 | Nipple..... | 12HTXS UN 1 1/16 |

