

LF230 2007-193 Thru Current

3546455H LF230 CORE DRILL ASSEMBLY S/N 2007- 193 & UP

5003418 BASE FRAME MODULE, LF230

5003418 BASE FRAME MODULE, LF230 1

3541887 CYLINDER, 3-STAGE DOUBLE ACTING TELESCOPIC

3541887 CYLINDER, 3-STAGE DOUBLE ACTING TELESCOPIC 5

3546649 SLIDE ASM, LF230 LOWER MAST

3546649 SLIDE ASM, LF230 LOWER MAST 7

3546386 LEG ASM, MAST SLIDE SUPPORT LF230

3546386 LEG ASM, MAST SLIDE SUPPORT LF230 9

5000157 HOIST ASM, PLANETARY 40K

5000157 HOIST ASM, PLANETARY 40K 11

3546045 HOIST, 40K PLANETARY (BARE)

3546045 HOIST, 40K PLANETARY 13
3547274 MANIFOLD, 40K M/L HOIST BRAKE 15

5003498 TENSIONER ASM, 40K WINCH

5003498 TENSIONER ASM, 40K WINCH 17

3547014 MANIFOLD ASM, CABLE TENSION LF230

3547014 MANIFOLD ASM, CABLE TENSION LF230 19

3547707 MANIFOLD ASM, C/B CARTRIDGE LF90D/LF230

3547707 MANIFOLD ASM, C/B CARTRIDGE LF90D/LF230 21

3003981 WINCH, WIRELINE c/w LEVELWIND 3300 m CAPACITY

3003981 WINCH, WIRELINE c/w LEVELWIND 3300 m CAPACITY 23

3003860 WIRE LINE HOIST ASSEMBLY

3003860 WIRE LINE HOIST ASSEMBLY 25
3071120 DRIVE ASM, HYDRAULIC 28

3003870 SPOOLING DEVICE, WIRELINE

3003870 SPOOLING DEVICE, WIRELINE 30
5404756 HOUSING ASM 34

HYDRAULIC OIL COOLER

HYD COOLERS PRIOR TO 2009-007

3546384 COOLER GRP, ASA TIER 1 ENGINE PRIOR TO 2009-007 36
3548558 COOLER GRP, HYDAC ELH6 COMBO TIER 3 CUMMINS ENGINE ONLY 38

5000333 COOLER GRP, HEAVY DUTY ELH10 S/N 2009-007 AND UP

5000333 COOLER GRP, HEAVY DUTY ELH10 S/N 2009-007 AND UP 40
3549249 COOLER ASM, BARE 42

3549237 CONTROL CONSOLE ASM S/N 2007-193 AND UP

3549237 CONTROL CONSOLE ASM S/N 2007-193 AND UP 44

5001471 CONSOLE ASM, LOWER

5001471 CONSOLE ASM, LOWER 46
3546800 MANIFOLD ASM, DO3/DO5 49
5401691 VALVE ASM, HYD 5 SPOOL 53

5001470 CONSOLE ASM, UPPER	
5001470 CONSOLE ASM, UPPER	55
3543400 MANIFOLD ASM, HOIST CONTROL	
3543400 MANIFOLD ASM, HOIST CONTROL	58
3548540 CONTROL ASSEMBLY, WATER DIVERTER	
3548540 CONTROL ASSEMBLY, WATER DIVERTER	60
3549455 CONTROL PANEL ASSEMBLY (OCP)	
3549455 CONTROL PANEL ASSEMBLY (OCP)	62
3549284 HYDRAULIC RESERVOIR ASM S/N 2008-15 AND UP	
3549284 HYDRAULIC RESERVOIR ASM S/N 2008-15 AND UP	66
3549252 RESERVOIR ASM, 110 US GAL LF230	71
5000566 HYDRAULIC SCHEMATIC - SN 2009-007 THRU PRESENT	
5000566_F HYDRAULIC SCHEMATIC, LF230 S/N 2009-007 THRU PRESENT	74
5003189 MAST ASM, LF230	
5003189 MAST ASM, LF230	78
5003419 MAST ASM, LF230 LOWER	
5003419 MAST ASM, LF230 LOWER	80
3546088 PQ HEAD ASM	
3546088 PQ HEAD ASM	83
3546087 HEAD ASM, BASIC PQ (134 ROD)	
3546087 HEAD ASM, BASIC PQ (134 ROD) 01	96
3540433 GEAR, INTERMEDIATE ASSEMBLY (PQ HEAD)	101
3546756 SPINDLE ASM, PQ HEAD 5.06 ID	103
CHUCK ASSEMBLY	
3546086 CHUCK ASM, PQ NITROGEN 5-1/16" SPINDLE	
3546086 CHUCK ASM, PQ NITROGEN 5-1/16" SPINDLE 01	105
5404800 CHUCK ASM WITH MUD GUARD (S/N 2014-460 & UP)	
5404800 CHUCK ASM, PQ AFTER 2014	109
3546873 RESERVOIR, PQ HEAD HYDRAULIC	
3546873 RESERVOIR, PQ HEAD HYDRAULIC	113
3546708 GUARD GRP, LF230 PQ HEAD	
3546708 GUARD GRP, LF230 PQ HEAD	115
3540635 TRANSMISSION ASM, 4 SPEED	
3540635 TRANSMISSION ASM	117
3546647 HANGER ASM, LF230 HOSE PQ HEAD DRIVE MODULE	
3546647 HANGER ASM, LF230 HOSE PQ HEAD DRIVE MODULE	121
3546603 SLIDE ASM, LF230 PQ HEAD	
3546603 SLIDE ASM, LF230 PQ HEAD	123
3546615 HINGE ASM, PQ HEAD SLIDE	128
3546634 PLATE ASM, PQ HEAD LH SLIDE	130
3546820 BASE ASM, ROD CLAMP & MAST LF230	

3546820 BASE ASM, ROD CLAMP & MAST LF230	132
3540273 CLAMP ASM, ROD HWT	134
3542600 BEARING ASM, ROD SUPPORT LF140	136
3541161 HOSE HANGER, MAST SUB-ASM LF140/230	
3541161 HOSE HANGER, MAST SUB-ASM LF140/230	138
3546606 TRAY ASM, LF230 ROD SLIDE	
3546606 TRAY ASM, LF230 ROD SLIDE	140
BARRIER INSTALLATION, ROTATION	
ROTATION BARRIER ASM, HYDRAULIC	
5404297 ROTATION BARRIER ASM	142
5404298 E STOP SUB ASSEMBLY	147
ROTATION BARRIER ASM, (CURTAIN STYLE)	
3546319 GUARD ASM, ROD ROTATION PRIOR TO 2013	149
3546118 MAST ASM, LF230 UPPER	
3546118 MAST ASM, LF230 UPPER	151
3546740 CROWN BLOCK ASM, 24" SHEAVE LF230	
3546740 CROWN BLOCK ASM, 24" SHEAVE LF230	155
3546732 SHEAVE ASM, LF230 CROWN BLOCK	157
ENGINE OPTIONS	
5003254 ENGINE GRP, CUMMINS QSC8.3 TIER III	
5003254 ENGINE GRP, CUMMINS QSC8.3 TIER III	159
3548505 BATTERY GROUP TIER 3	161
5003256 ENGINE ASM, CUMMINS QSC 8.3	163
3548035 MASTER DISCONNECT PANEL	165
5003255 ELECTRICAL GRP, 12V CUMMINS	167
3547581 ENGINE, CUMMINS QSC 8.3 TIER III (BARE)	169
5003559 INTERCONNECTING GRP, LF230 02	171
3549272 EMERGENCY STOP, MAGNETIC REMOTE	173
5003500 SCHMATIC LF230 ELECTRIC CONTROL	175
5400531 PUMP DRIVE GRP, 4 STACK TIER III	
5400531 PUMP DRIVE GRP, 4 STACK TIER III 01	179
5400531 PUMP DRIVE GRP, 4 STACK TIER III 02	181
5405279 ENGINE GRP, CUMMINS TIER 4i	
5405279 ENGINE GRP, LF230 QSL 9L TIER4i	183
5405628 BATTERY GRP, LF230 TIER4i	186
5404906 ENGINE ASM, QSL9L TIER 4i	188
5404383 ENGINE , CUMMINS QSL 9.0L TIER 4i (BARE)	193
5405279 INTERCONNECTING GRP, LF230 TIER 4i	195
5404972 PANEL ASM, ENGINE CONTROL TIER 4i	197
5003500 SCHMATIC LF230 ELECTRIC CONTROL	See page 175
3547029 W11 CIRCULATION PUMP	
3547029 W11 CIRCULATION PUMP	201
24821 PUMP ASSEMBLY, WATER 35GPM	203
18185 DISCHARGE ASM, PUMP #20 NPT	208
3546492 VALVE, PRESSURE RELIEF	210
5004472 HOISTING GROUP, LF230	
5004472 HOISTING GROUP, LF230	212

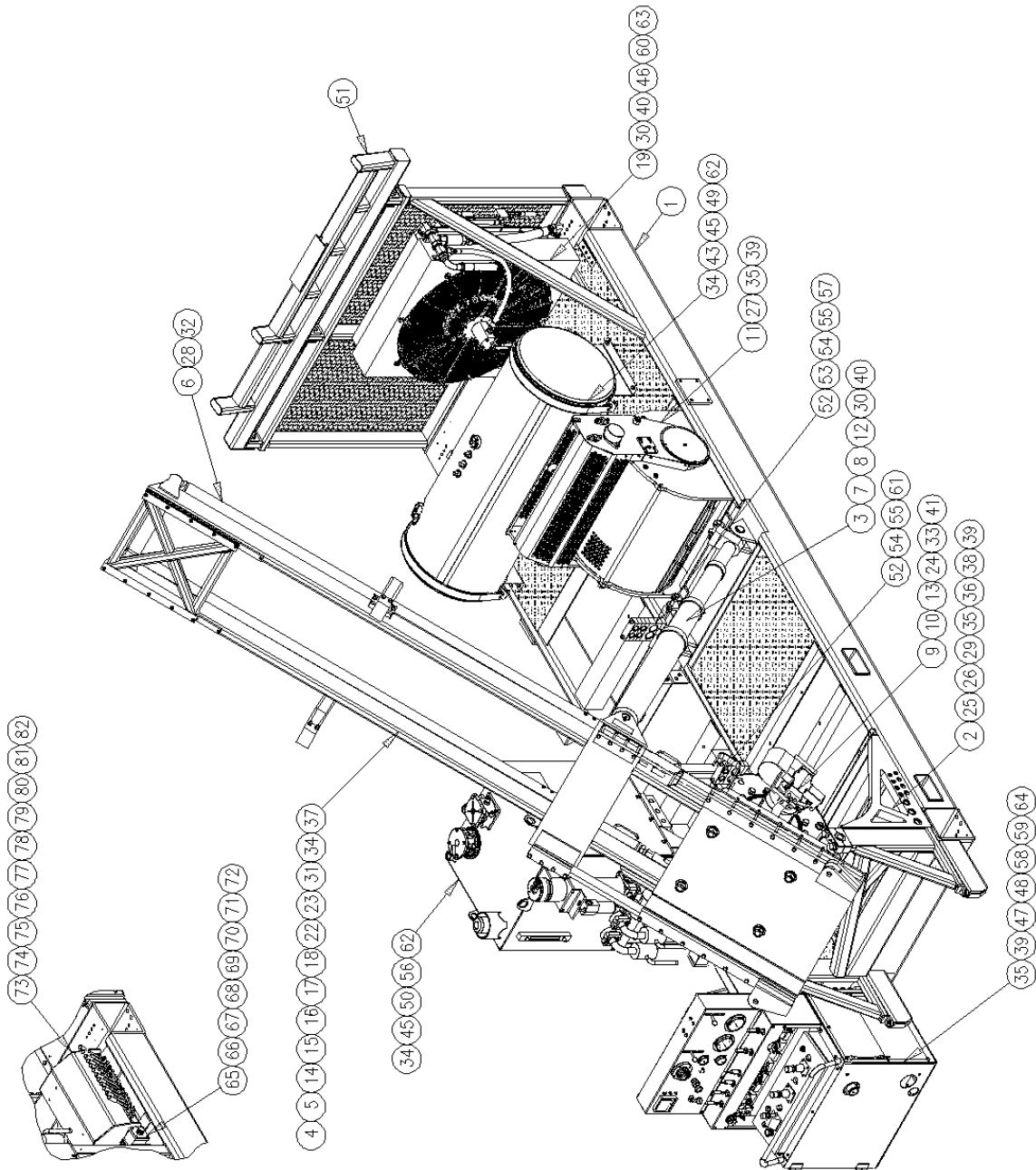
67321 WATER-SWIVEL, UNIVERSAL	214
3546809 CABLE ASM, HOIST 7/8 DIA	216
HOIST PLUG, HEAVY DUTY (2 VERSIONS)	
3542898 HOIST PLUG ASM, HEAVY DUTY	218
5004353 HOIST PLUG ASM	220
3546719 OUTRIGGER ASM LF230 (OPTIONAL)	
3546719 OUTRIGGER ASM LF230 (OPTIONAL)	222
3546892 PIPING GRP, OUTRIGGER LF230	
3546892 PIPING GRP, OUTRIGGER LF230 01	225
3546892 PIPING GRP, OUTRIGGER LF230 02	226
3546892 PIPING GRP, OUTRIGGER LF230 03	227
3546892 PIPING GRP, OUTRIGGER LF230 04	228
3546892 PIPING GRP, OUTRIGGER LF230 05	229
5003424 MAINLINE HOIST LIMITER (OPTIONAL)	
5003424 MAINLINE HOIST LIMITER (OPTIONAL)	230
3004168 KIT, HOIST LIMITER 40K	
3004168 KIT, HOIST LIMITER 40K	232
FUEL TANKS PRIOR TO S/N 2010-065	
3547006 TANK ASM, 128 GAL FUEL LF230	
3547006 TANK ASM, 128 GAL FUEL LF230	234
3547454 PIPING, LF230 FUEL TANK 128 US GALLON	236
3548571 TANK GROUP, 225 GAL FUEL LF230	
3548571 TANK GROUP, 225 GAL FUEL LF230	238
3548254 FUEL PIPING GROUP 225 GAL TANK	240
TRACK MOUNTING GROUPS	
RADIO REMOTE OPTIONS	
RADIO REMOTE CONTROL OPTIONS	242
5403120 TRACK DRIVE GRP, LF230 BASIC	
5403120 TRACK DRIVE GRP, LF230 BASIC	244
5404315 VALVE ASM, LF230 TRACK DRIVE	247
5401837 TRACK MOUNT, LF230	
5401837 TRACK MOUNT, LF230	249
5401552 TRACK FRAME ASM	251
JAWS AND BUSHINGS	
CHUCK UPPER GUIDE BUSHING	
3546455M-F070 OC UPPER GUIDE BUSHING (5.06 SPINDLE)	253
PQ CHUCK JAWS	
3548366-F050 OC PQ CHUCK JAW	255
HEAD LOWER SPINDLE BUSHINGS	
3546455M-F060 OC HEAD LOWER SPINDLE BUSHING (5.06 SPINDLE)	257
ROD CLAMP SLIP SETS	
101752-F050 OC ROD CLAMP JAWS	259

ROD SUPPORT BUSHING	
3546455M-F080 OC ROD SUPPORT BUSHING	261
101752-F040 OC MUDFUNNEL ADAPTER	
101752-F040 OC MUDFUNNEL ADAPTER	263
101752-F060 OC HOIST PLUG ADAPTER SUBS	
101752-F060 OC HOIST PLUG ADAPTER SUBS	265
5405142 MUD MIXER GRP (OPTIONAL)	
MUD MIXER GROUP	267
102306 MUD MIXER ASSEMBLY	269
CATWALK GRP, STAIRS & RAILINGS	
3546871 CATWALK GRP, STAIRS & RAILING PRIOR TO S/N 2010-065	274
3542304 TRUCK MOUNT SUB-FRAME ASM PRIOR TO S/N 2010-065	
3542304 TRUCK MOUNT SUB-FRAME ASM PRIOR TO S/N 2010-065	276
5400781 RECOMMENDED SPARES - 2011-001 thru current	
5400781 LF230 Recommended Spare	278
Appendix B:Parts Index	287



5003418 BASE FRAME MODULE, LF230

5003418 BASE FRAME MODULE, LF230



LF230 2007-193 Thru Current

Copyright © 2019 Boart Longyear. All rights reserved.

Boart Longyear is constantly striving to improve its products and must therefore, reserve the right to change designs, materials, specifications and price without notice.



Item	Part No.	Name	Qty	Service
1	5007173	BASE FRAME WELDMENT S/N 2010-065 AND UP	1	E
2	3546206	PIVOT, TELESCOPIC MAST	1	D
3	3541887	CYLINDER, 3-STAGE DOUBLE ACTING TELESCOPIC	2	C
Comments for Part Num. 3541887 SEAL KIT # 3541889 COUNTERBALANCE VALVE CARTRIDGE # 3542446				
4	3546191	SLIDE, 40K TELESCOPIC MAST	1	D
5	3546649	SLIDE ASM, LF230 LOWER MAST	1	D
6	3546386	LEG ASM, MAST SLIDE SUPPORT LF230	2	D
7	3541835	PIN, TOP MAST RAISING CYL.	2	C
8	3546315	PIN, MAST RAISING CYLINDER	2	C
9	5000157	HOIST ASM, PLANETARY 40K	1	D
10	3545064	FLAT BAR	1	D
11	3003981	WINCH, WIRELINE c/w LEVELWIND 3300 m CAPACITY	1	D
12	3541834	SNAP RING	4	D
13	3547703	GUARD, MOTOR	1	D
14	3548047	SUPPORT, MAST DUMP CYLINDER	2	D
15	3541120	WEAR STRIP, MAST SLIDE (TOP)	2	B
16	3541119	WEAR STRIP, MAST SLIDE (BOTTOM)	2	B
17	3544182	SHIM, .030 MAST SLIDE (BOTTOM)	4	C
18	3544183	SHIM, .015 MAST SLIDE (TOP)	2	C
19	5000333	COOLER GRP, HEAVY DUTY ELH10 S/N 2009-007 AND UP	1	C
20	17958	PLATE, SERIAL NUMBER	1	E
21	38298	PLATE, ASSEMBLY IDENTIFICATION	1	E
22	3544067	SUPPORT BAR, CABLE HOIST	1	D
23	102229	M/SCR, FL HD 1/4 UNC X 3/4 G8	22	F
24	3543406	C/SCR, HH Dia1 1/4-12 UNF x 3 1/2	4	F
25	44516	C/SCR, HH 3/4 UNC X 1-3/4 GR8	1	F
26	44748	C/SCR, HH 3/4 UNC X 2 G8	7	F
27	44569	C/SCR, HH 3/4 UNC X 2-3/4 G8	4	F
28	44636	C/SCR, HH 3/4 UNC X 4-1/2 G8	4	F
29	44508	C/SCR, HH 3/8 UNC X 3 G8	3	F

LF230 2007-193 Thru Current

Copyright © 2019 Boart Longyear. All rights reserved.

Boart Longyear is constantly striving to improve its products and must therefore, reserve the right to change designs, materials, specifications and price without notice.



Item	Part No.	Name	Qty	Service
30	44668	C/SCR, HH 3/8 UNC x 5/8 LG.	4	F
31	44531	C/SCR, SH 1/2 UNC X 1-1/2 G8	4	F
32	306283	L/NUT, 3/4 UNC NYLOCK G8	4	F
33	44576	L/WASHER, 1/4	4	F
34	44521	L/WASHER, 1/2 SAE G8	16	F
35	44523	L/WASHER, 3/4 SAE G8	30	F
36	44520	L/WASHER, 3/8 SAE G8	3	F
37	101420	L/NUT, NYLOK 1/4 UNC	10	F
38	3546890	MANIFOLD, 40K MAINLINE WINCH	1	D
39	44524	NUT, HEX 3/4 UNC G8	14	F
40	44611	WASHER, FLAT 3/8 USS G2	4	F
41	46099	NUT, HEX 1 1/4-12 UNF	4	F
43	44510	C/SCR, HH 1/2 UNC X 1-1/2 G8	4	F
45	44621	WASHER, FLAT 1/2 SAE G8	10	F
46	46510	WASHER, FLAT 5/16 SAE G8	4	F
47	3543259	BAR, ADJUSTING CONSOLE	2	D
48	3549237	CONTROL CONSOLE ASM S/N 2007-193 AND UP	1	D
49	5007235	FUEL TANK 149 GAL S/N 2010-065 AND UP	1	D
<p>Comments for Part Num. 5007235</p> <p>FUEL CAP # 5405132 OPTIONAL ELECTRIC FUEL SENDER (AFTER 2014-460) 5405376</p>				
50	3549284	HYDRAULIC RESERVOIR ASM S/N 2008-15 AND UP	1	D
51	5007033	MAST REST, LF230	1	D
52	5006866	HOSE CLAMP, NYLON INSERT	6	D
53	5007174	NYLON INSERT, HOSE CLAMP	4	D
54	5007175	NYLON INSERT, HOSE CLAMP	6	D
55	5006871	TOP PLATE, HOSE CLAMP	3	D
56	44651	C/SCR, HH 1/2 UNC X 2-1/4 G8	6	F
57	5007060	C/SCR, SH M12 x 1.75 x 220	4	F
58	44505	C/SCR, HH 3/4 UNC X 2-1/2 G8	6	F
59	44517	C/SCR, HH 3/4 UNC X 2-1/4 G8	8	F
60	44533	C/SCR, HH 5/16 UNC X 2-1/2 G8	2	F

LF230 2007-193 Thru Current

Copyright © 2019 Boart Longyear. All rights reserved.

Boart Longyear is constantly striving to improve its products and must therefore, reserve the right to change designs, materials, specifications and price without notice.



5003418 BASE FRAME MODULE, LF230

Item	Part No.	Name	Qty	Service
61	93199	C/SCR, SH M12 x 1.75 x 160	2	F
62	44525	NUT, HEX 1/2 UNC G8	10	F
63	44552	NUT, HEX 5/16 UNC G8	2	F
64	46091	WASHER, FLAT 3/4 SAE G8	14	F
65	5402768	BRACKET, E-STOP	1	D
66	5402748	E-STOP ASSEMBLY, SURFACE MOUNT	1	D
67	93359	C/SCR, HH M6X1.0X10 GR10.9	4	F
68	93375	C\SCR, HH M8-1.25 x 16	2	F
69	93126	WASHER, SPRING M6	4	F
70	93127	L/WASHER, M8 G2	2	F
71	93250	WASHER, FLAT M6 SAE G2	4	F
72	93251	WASHER, FLAT M8 SAE G2	2	F
73	44530	C/SCR, HH 1/2 UNC X 1-1/4 G8	2	F
74	46755	C/SCR, HH 1/4 UNC X 1-3/4	2	F
75	44512	C/SCR, HH 3/8 UNC X 1 G8	7	F
76	3546893	GUARD, DIRECTIONAL VALVE	1	D
77	44518	L/WASHER, 1/4 SAE G8	2	F
78	3546894	MOUNTING BASE, VAVLE DIRECTIONAL	1	D
79	44567	NUT, HEX 1/4 UNC G8	2	F
80	3546720	VALVE, HYD 12 SPOOL DIRECTIONAL CONTROL	1	C
Comments for Part Num. 3546720				
CARTRIDGE, RELIEF VALVE P/N 5402614				
81	44859	WASHER, FLAT 3/8 SAE G8	12	F
82	3541599	VALVE, HYD THREE-WAY SELECTOR 12 ORB	1	C
Comments for Part Num. 3541599				
REPLACEMENT KNOB KIT AVAILABLE UNDER P/N 5402692				

Comments for Page: 5003418 BASE FRAME MODULE, LF230

(#15 3541120)(#16 3541119)INCLUDED IN SPARES KIT 3547257

LF230 2007-193 Thru Current

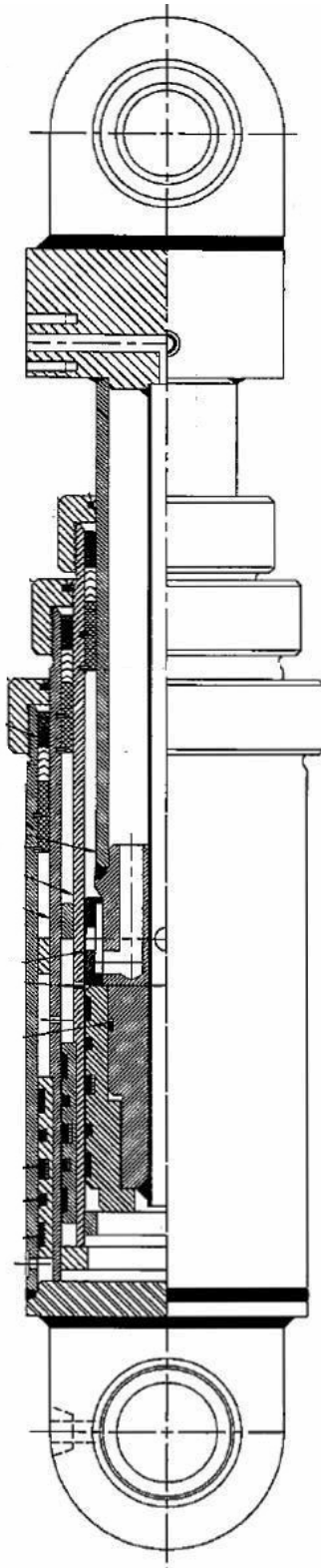
Copyright © 2019 Boart Longyear. All rights reserved.

Boart Longyear is constantly striving to improve its products and must therefore, reserve the right to change designs, materials, specifications and price without notice.



3541887 CYLINDER, 3-STAGE DOUBLE ACTING TELESCOPIC

3541887 CYLINDER, 3-STAGE DOUBLE ACTING TELESCOPIC



LF230 2007-193 Thru Current

Copyright © 2019 Boart Longyear. All rights reserved.

Boart Longyear is constantly striving to improve its products and must therefore, reserve the right to change designs, materials, specifications and price without notice.



3541887 CYLINDER, 3-STAGE DOUBLE ACTING TELESCOPIC

Item	Part No.	Name	Qty	Service
1	NOPARTNUMBER	NO PART NUMBER	3	
2	NOPARTNUMBER	NO PART NUMBER	3	
3	NOPARTNUMBER	NO PART NUMBER	6	
4	NOPARTNUMBER	NO PART NUMBER	3	
5	NOPARTNUMBER	NO PART NUMBER	6	
6	NOPARTNUMBER	NO PART NUMBER	1	
7	NOPARTNUMBER	NO PART NUMBER	2	
8	3542446	CARTRIDGE, COUNTERBALANCE VALVE	2	

Comments for Page: 3541887 CYLINDER, 3-STAGE DOUBLE ACTING TELESCOPIC

(#1 NOPARTNUMBER)(#2 NOPARTNUMBER)(#3 NOPARTNUMBER)(#4 NOPARTNUMBER)(#5 NOPARTNUMBER)(#6 NOPARTNUMBER)(#7
NOPARTNUMBER)SUPPLIED IN SEAL KIT # 3541889
(#8 3542446)NOT SHOWN ON THIS DRAWING

LF230 2007-193 Thru Current

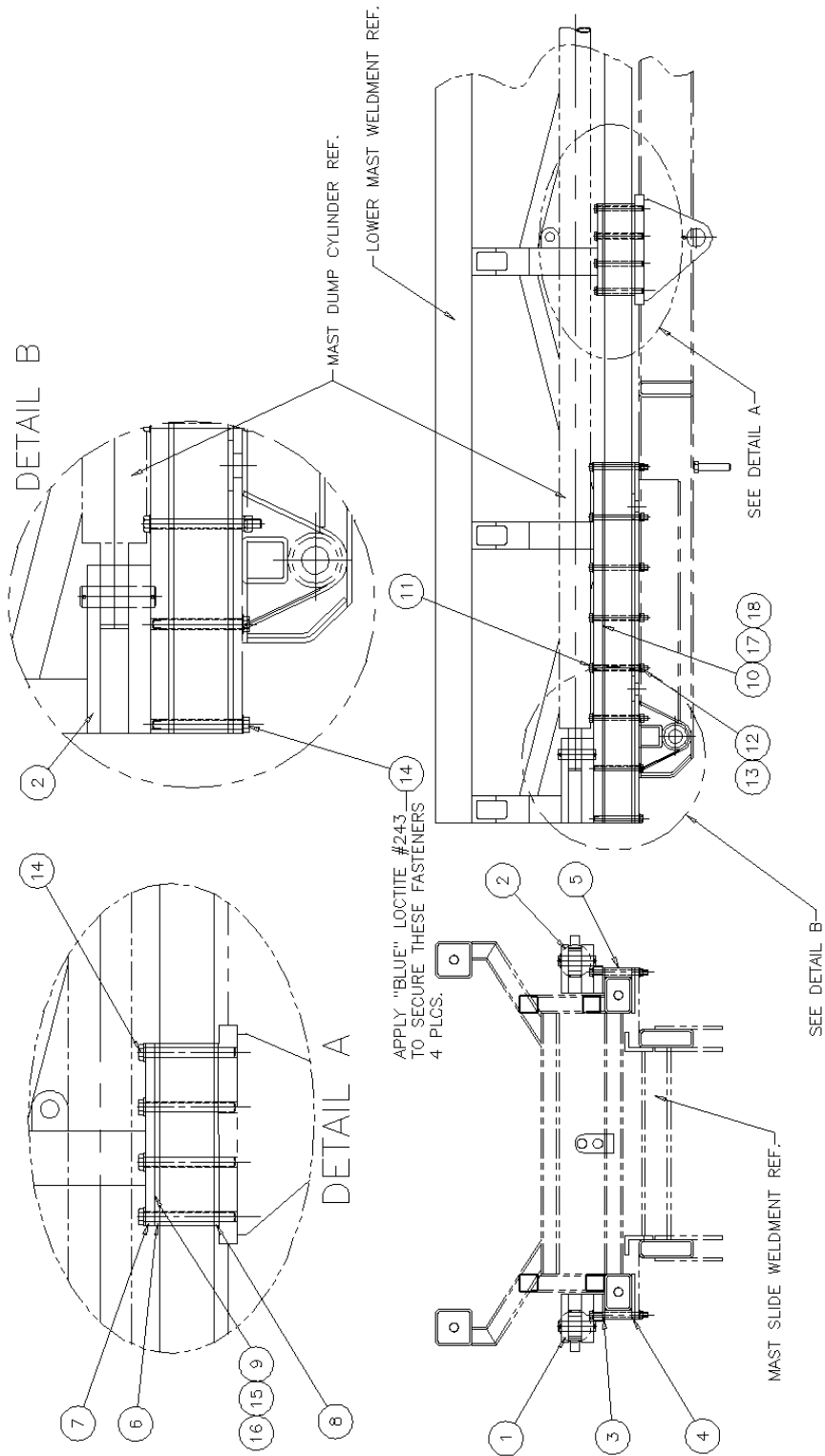
Copyright © 2019 Boart Longyear. All rights reserved.

Boart Longyear is constantly striving to improve its products and must therefore, reserve the right to change designs, materials, specifications and price without notice.



3546649 SLIDE ASM, LF230 LOWER MAST

3546649 SLIDE ASM, LF230 LOWER MAST



LF230 2007-193 Thru Current

Copyright © 2019 Boat Longyear. All rights reserved.

Boat Longyear is constantly striving to improve its products and must therefore, reserve the right to change designs, materials, specifications and price without notice.



3546649 SLIDE ASM, LF230 LOWER MAST

Item	Part No.	Name	Qty	Service
1	3546684	BACKING PLATE, LH DUMP MAST	1	D
2	3546683	BACKING PLATE, RH DUMP MAST	1	D
3	3540670	WEAR STRIP, UPPER	2	B
4	3540671	WEAR STRIP, LOWER	2	B
5	3542116	SPACER BAR, EXTENDED	2	
6	3540783	WEAR STRIP, UPPER MAST RAISING	2	B
7	3540784	TOP CLAMPING BAR, MAST RAISING	2	D
8	3540786	WEAR STRIP, LOWER MAST RAISING	2	B
9	3543118	SHIM, WEAR STRIP LOWER	4	C
10	3543119	SHIM, WEAR STRIP LOWER	4	C
11	47528	C/SCR, HH 1/2 UNC X 6 G8	12	F
12	102955	L/WASHER, 1/2ID SAE G8	24	F
13	44525	NUT, HEX 1/2 UNC G8	12	F
14	44641	C/SCR, HH 1/2UNC x 5 LG	12	F
15	3548497	SHIM, WEAR STRIP LOWER .030	4	D
16	3548498	SHIM, WEAR STRIP LOWER .015	4	D
17	3548506	SHIM, WEAR STRIP UPPER .030	4	D
18	3548507	SHIM, WEAR STRIP .015 .015	4	D

Comments for Page: 3546649 SLIDE ASM, LF230 LOWER MAST

(#3 3540670)(#4 3540671)(#6 3540783)INCLUDED IN SPARES KIT 3547257

LF230 2007-193 Thru Current

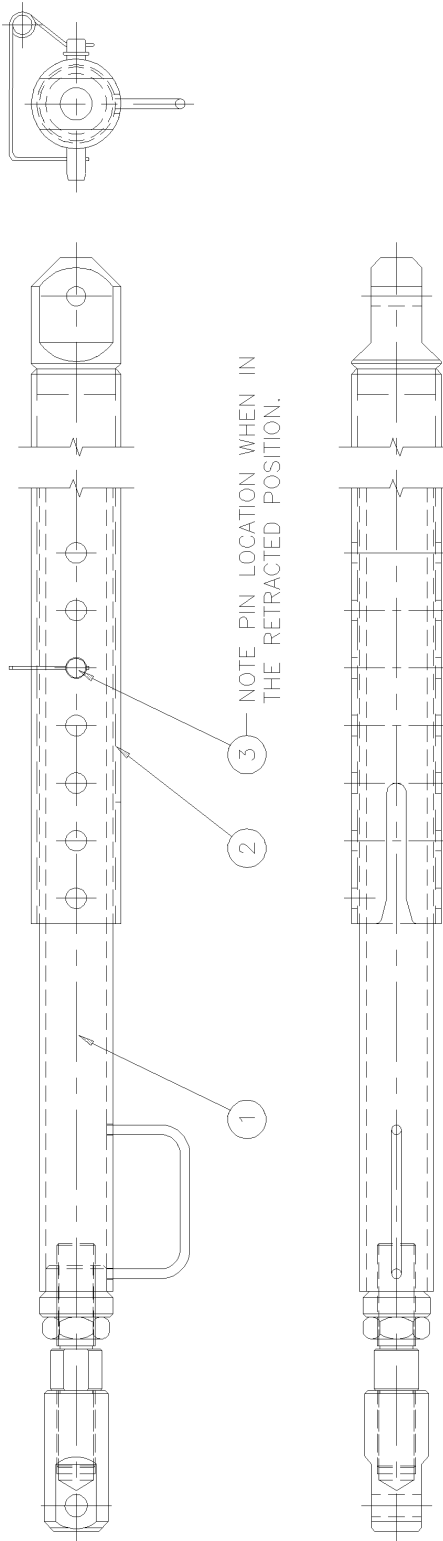
Copyright © 2019 Boart Longyear. All rights reserved.

Boart Longyear is constantly striving to improve its products and must therefore, reserve the right to change designs, materials, specifications and price without notice.



3546386 LEG ASM, MAST SLIDE SUPPORT LF230

3546386 LEG ASM, MAST SLIDE SUPPORT LF230



LF230 2007-193 Thru Current

Copyright © 2019 Boat Longyear. All rights reserved.

Boat Longyear is constantly striving to improve its products and must therefore, reserve the right to change designs, materials, specifications and price without notice.



Item	Part No.	Name	Qty	Service
1	3546388	LEG ASM, INNER SUPPORT LF230 MAST SLIDE	1	D
2	3546390	LEG, LF230 OUTER SUPPORT	1	D
3	3540387	SNAP LOCK HITCH PIN Dia3/4 x 4LG	1	D

LF230 2007-193 Thru Current

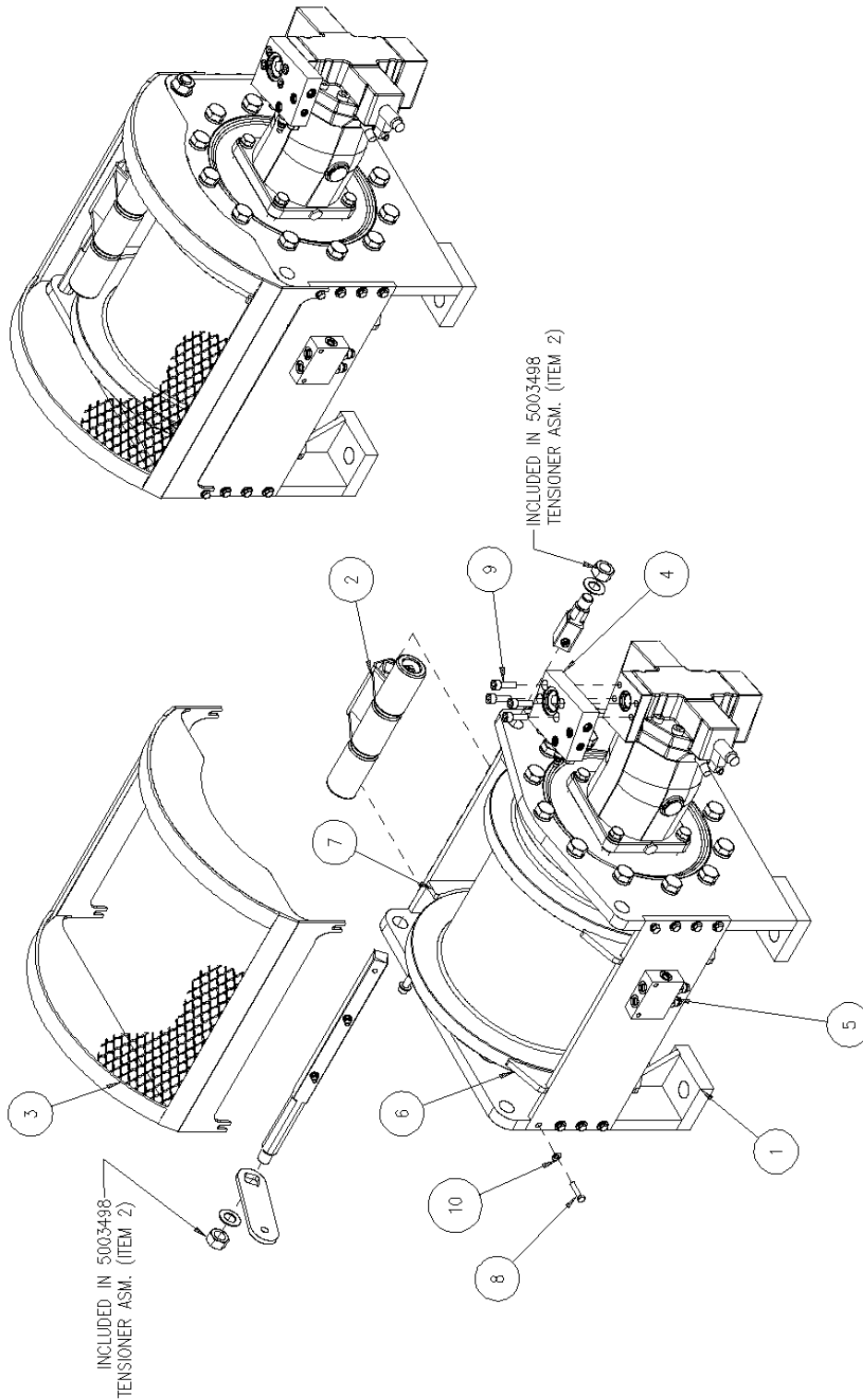
Copyright © 2019 Boart Longyear. All rights reserved.

Boart Longyear is constantly striving to improve its products and must therefore, reserve the right to change designs, materials, specifications and price without notice.



5000157 HOIST ASM, PLANETARY 40K

5000157 HOIST ASM, PLANETARY 40K



LF230 2007-193 Thru Current

Copyright © 2019 Boat Longyear. All rights reserved.

Boat Longyear is constantly striving to improve its products and must therefore, reserve the right to change designs, materials, specifications and price without notice.



Item	Part No.	Name	Qty	Service
1	3546045	HOIST, 40K PLANETARY (BARE)	1	C
2	5003498	TENSIONER ASM, 40K WINCH	1	C
3	5003511	GUARD, 40K HOIST	1	C
4	3547014	MANIFOLD ASM, CABLE TENSION LF230	1	C
5	3547707	MANIFOLD ASM, C/B CARTRIDGE LF90D/LF230	1	C
Comments for Part Num. 3547707				
REPLACEMENT COUNTERBALANCE VALVE CARTRIDGE # 103329 QTY 2				
6	3545152	STOP PLATE, WINCH CABLE	2	D
7	5003510	STOP PLATE, HOIST CABLE	2	D
8	44536	C/SCR, HH 3/8 UNC X 1-1/2 G8	4	F
9	44531	C/SCR, SH 1/2 UNC X 1-1/2 G8	4	F
10	44859	WASHER, FLAT 3/8 SAE G8	4	F

LF230 2007-193 Thru Current

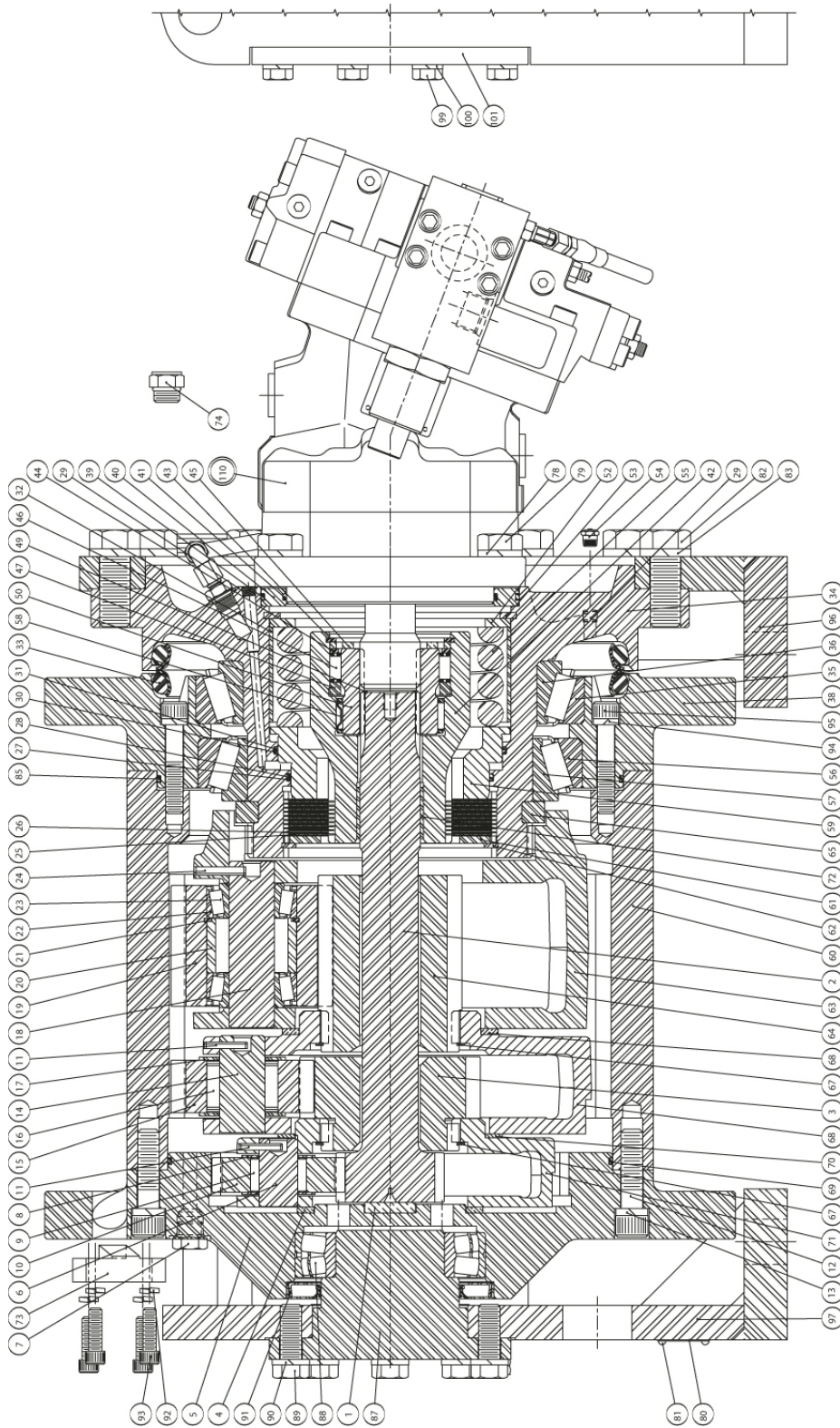
Copyright © 2019 Boart Longyear. All rights reserved.

Boart Longyear is constantly striving to improve its products and must therefore, reserve the right to change designs, materials, specifications and price without notice.



3546045 HOIST, 40K PLANETARY

3546045 HOIST, 40K PLANETARY (BARE)



LF230 2007-193 Thru Current

Copyright © 2019 Boart Longyear. All rights reserved.

Boart Longyear is constantly striving to improve its products and must therefore, reserve the right to change designs, materials, specifications and price without notice.

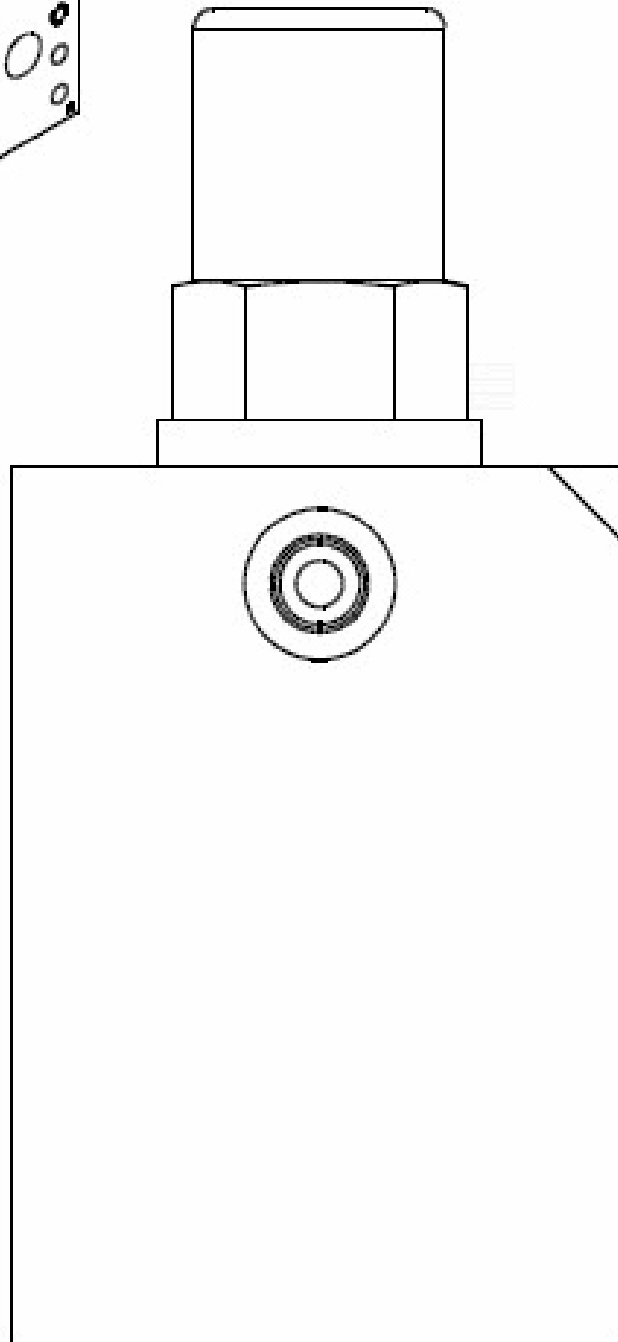
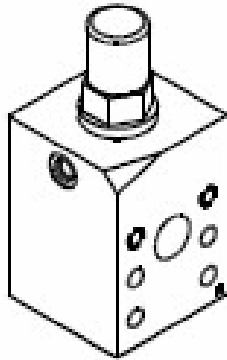


Item	Part No.	Name	Qty	Service
12	3543668	C/SCR, SH 5/8-11 UNC X 2.5 G8	16	
40	5403424	ADAPTER, MOTOR	1	D
73	5400938	ANCHOR, CABLE	1	B
79	44748	C/SCR, HH 3/4 UNC X 2 G8	4	F
83	44643	L/WASHER, SPLIT SPRING Ø7/8	12	F
89	44514	C/SCR, HH 5/8 UNC X 1-3/4 G8	8	F
90	44522	L/WASHER, 5/8 SAE G8	8	F
91	5000581	SEAL	1	C
93	46527	C/SCR, SH 3/8 UNC X 1-1/4 G8	4	F
100	44521	L/WASHER, 1/2 SAE G8	16	F
110	3546538	MOTOR, HYDRAULIC 2 SPEED (71 SERIES)	1	C
Comments for Part Num. 3546538				
MOTOR DISPLACEMENT CONTROL SOLENOID # 3546813				
200	3547274	MANIFOLD, 40K M/L HOIST BRAKE	1	D
Comments for Part Num. 3547274				
CARTRIDGE, HYD COUNTERBALANCE VALVE # 5404380				
300	3547275	CLUTCH ASM, SPRAGG	REF	B



3547274 MANIFOLD, 40K M/L HOIST BRAKE

3546045 HOIST, 40K PLANETARY (BARE)



LF230 2007-193 Thru Current

Copyright © 2019 Boart Longyear. All rights reserved.

Boart Longyear is constantly striving to improve its products and must therefore, reserve the right to change designs, materials, specifications and price without notice.



Item	Part No.	Name	Qty	Service
1	5404380	CARTRIDGE, COUNTERBALANCE VALVE 4.5:1	REF	B

LF230 2007-193 Thru Current

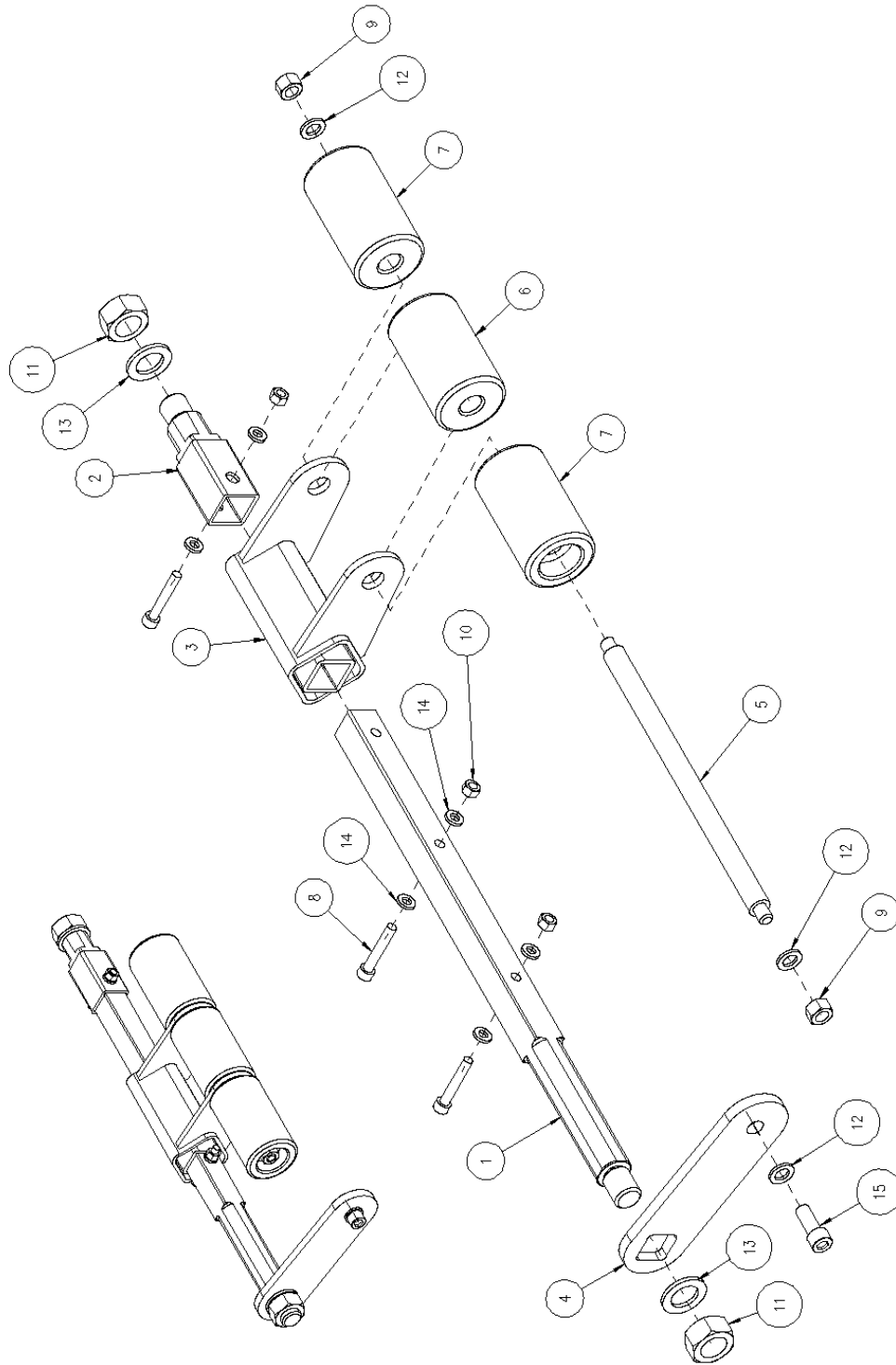
Copyright © 2019 Boart Longyear. All rights reserved.

Boart Longyear is constantly striving to improve its products and must therefore, reserve the right to change designs, materials, specifications and price without notice.



5003498 TENSIONER ASM, 40K WINCH

5003498 TENSIONER ASM, 40K WINCH



LF230 2007-193 Thru Current

Copyright © 2019 Boat Longyear. All rights reserved.

Boat Longyear is constantly striving to improve its products and must therefore, reserve the right to change designs, materials, specifications and price without notice.



Item	Part No.	Name	Qty	Service
1	5004295	SHAFT, MALE TENSIONER	1	C
2	5004298	SHAFT, FEMALE TENSIONER	1	C
3	5003481	TENSION UNIT, RUBBER	1	C
4	5004296	LEVER, TENSION HOLDING	1	C
5	5003470	SHAFT, ROLLER	1	C
6	5003861	ROLLER, 2-1/2 x 103	1	B
7	5003471	ROLLER 2-1/2 x 109	2	B
8	93158	C/SCR, SH M8 x 1.25 x 50	3	F
9	67605	L/NUT, NYLOK THIN M12 X 1.75 GR8.8 ZP	2	F
10	57401	L/NUT, NYLOK M8 X 1.25 G8.8 ZP	3	F
11	93247	NUT, HEX M24-3.0 CL5	2	F
12	93253	WASHER, FLAT M12 SAE G2	3	F
13	93256	WASHER, FLAT M24	2	F
14	93251	WASHER, FLAT M8 SAE G2	6	F
15	93346	C/SCR, SH M12-1.75 X 30 G12.9	1	F

LF230 2007-193 Thru Current

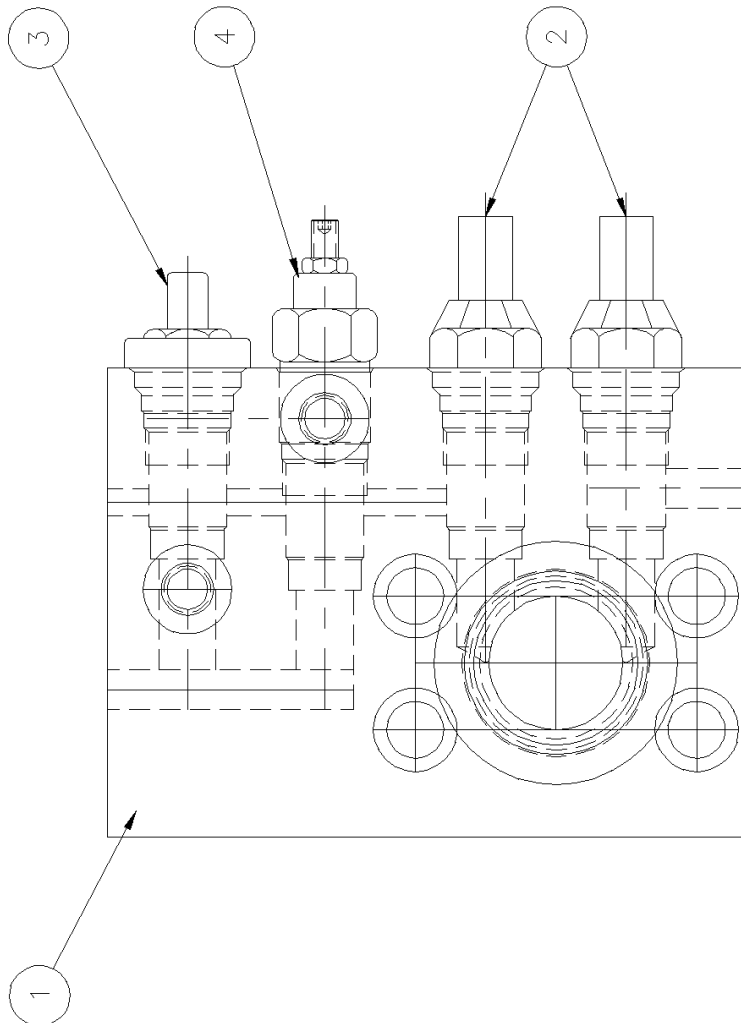
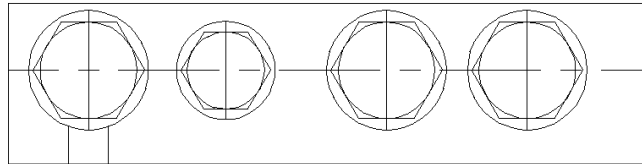
Copyright © 2019 Boart Longyear. All rights reserved.

Boart Longyear is constantly striving to improve its products and must therefore, reserve the right to change designs, materials, specifications and price without notice.



3547014 MANIFOLD ASM, CABLE TENSION LF230

3547014 MANIFOLD ASM, CABLE TENSION LF230



LF230 2007-193 Thru Current

Copyright © 2019 Boart Longyear. All rights reserved.

Boart Longyear is constantly striving to improve its products and must therefore, reserve the right to change designs, materials, specifications and price without notice.



3547014 MANIFOLD ASM, CABLE TENSION LF230

Item	Part No.	Name	Qty	Service
1	3547012	MANIFOLD, CABLE TENSION	1	
2	3547013	SHUTTLE VALVE CARTRIDGE	2	
3	103316	VALVE, CARTRIDGE CHECK	1	C
4	3543453	VALVE, PRESS REDUCING	1	

Comments for Page: 3547014 MANIFOLD ASM, CABLE TENSION LF230

(#2 3547013)(#3 103316)(#4 3543453)INCLUDED IN HYD MANIFOLD SPARES KIT # 3547262

LF230 2007-193 Thru Current

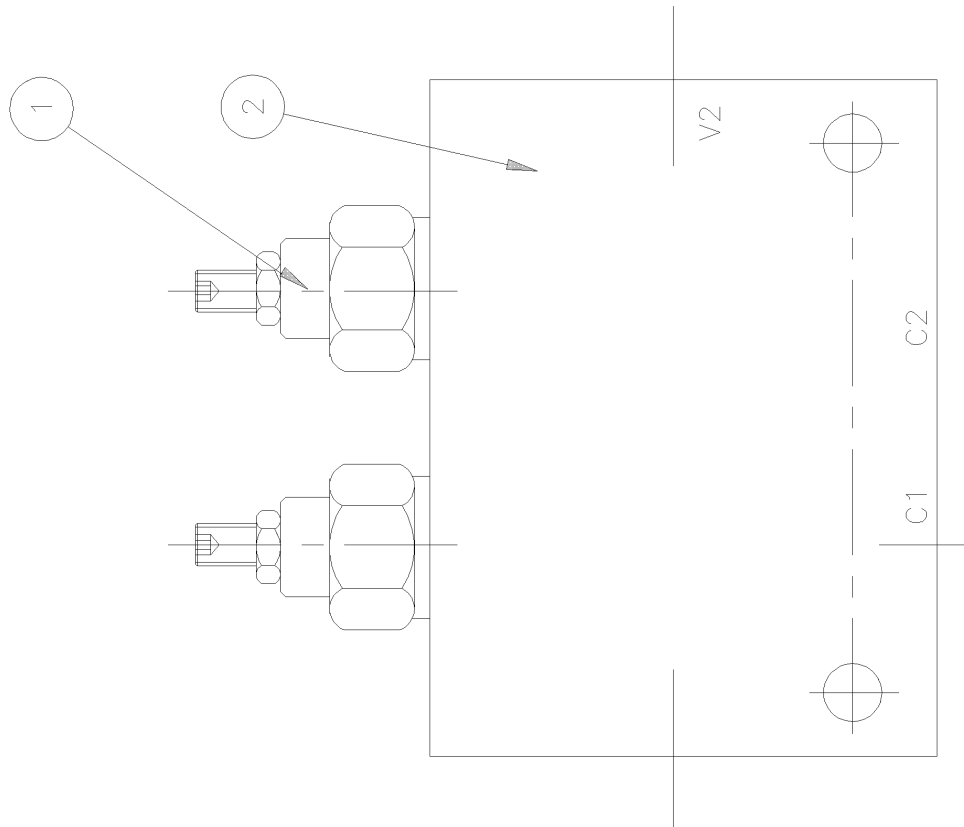
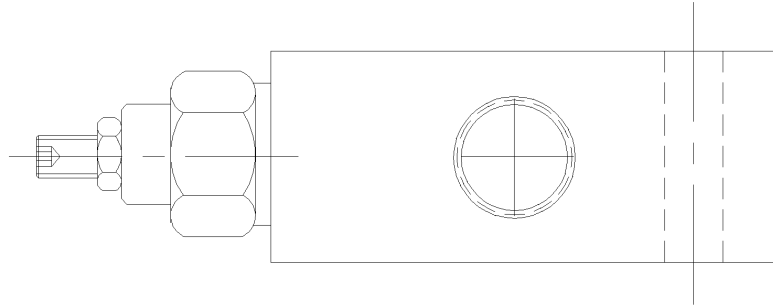
Copyright © 2019 Boart Longyear. All rights reserved.

Boart Longyear is constantly striving to improve its products and must therefore, reserve the right to change designs, materials, specifications and price without notice.



3547707 MANIFOLD ASM, C/B CARTRIDGE LF90D/LF230

3547707 MANIFOLD ASM, C/B CARTRIDGE LF90D/LF230



LF230 2007-193 Thru Current

Copyright © 2019 Boart Longyear. All rights reserved.

Boart Longyear is constantly striving to improve its products and must therefore, reserve the right to change designs, materials, specifications and price without notice.



Item	Part No.	Name	Qty	Service
1	103329	COUNTER BALANCE CARTRIDGE	2	B
2	NOPARTNUMBER	NO PART NUMBER	1	

LF230 2007-193 Thru Current

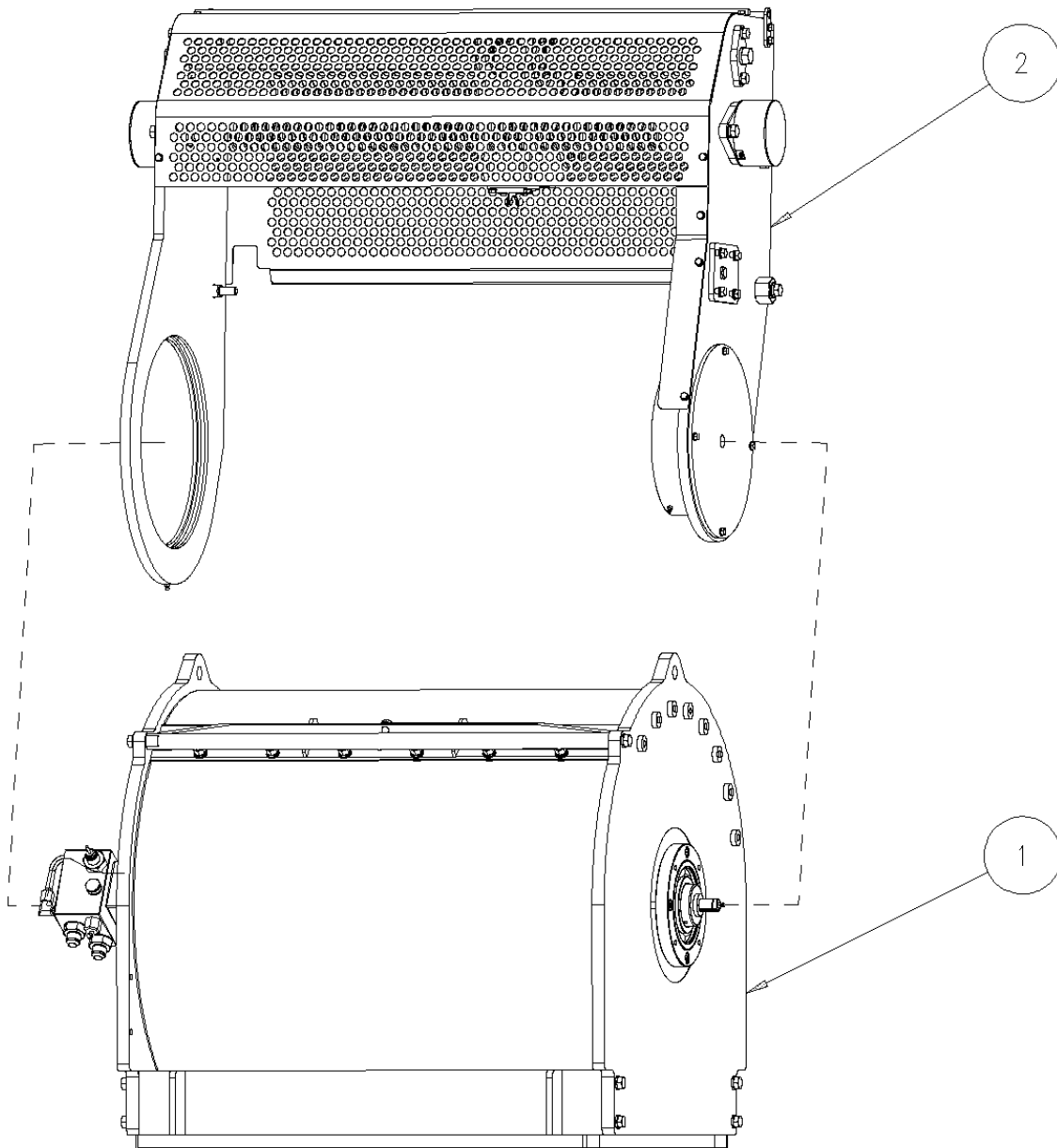
Copyright © 2019 Boart Longyear. All rights reserved.

Boart Longyear is constantly striving to improve its products and must therefore, reserve the right to change designs, materials, specifications and price without notice.



3003981 WINCH, WIRELINE c/w LEVELWIND 3300 m CAPACITY

3003981 WINCH, WIRELINE c/w LEVELWIND 3300 m CAPACITY



LF230 2007-193 Thru Current

Copyright © 2019 Boart Longyear. All rights reserved.

Boart Longyear is constantly striving to improve its products and must therefore, reserve the right to change designs, materials, specifications and price without notice.



Item	Part No.	Name	Qty	Service
1	3003860	WIRE LINE HOIST ASSEMBLY	1	C
2	3003870	SPOOLING DEVICE, WIRELINE	1	C

LF230 2007-193 Thru Current

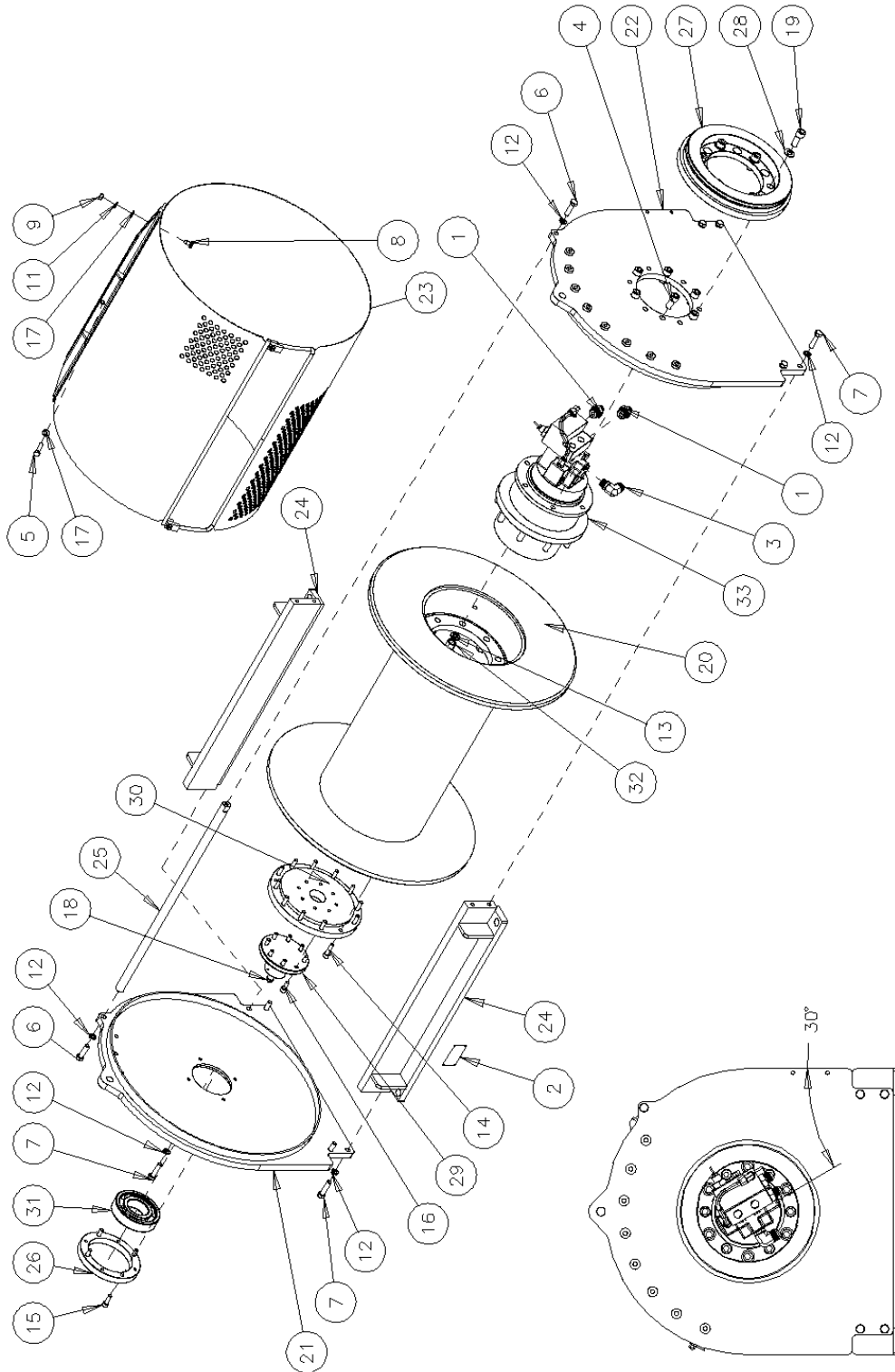
Copyright © 2019 Boart Longyear. All rights reserved.

Boart Longyear is constantly striving to improve its products and must therefore, reserve the right to change designs, materials, specifications and price without notice.



3003860 WIRE LINE HOIST ASSEMBLY

3003860 WIRE LINE HOIST ASSEMBLY



LF230 2007-193 Thru Current

Copyright © 2019 Boat Longyear. All rights reserved.

Boat Longyear is constantly striving to improve its products and must therefore, reserve the right to change designs, materials, specifications and price without notice.



3003860 WIRE LINE HOIST ASSEMBLY

Item	Part No.	Name	Qty	Service
1	36960	ADAP, HYD STR 12JIC 10ORB	2	F
2	17958	PLATE, SERIAL NUMBER	1	E
3	36967	ADAP, HYD 90 12JIC 10ORB	1	F
4	62541	C/SCR, SH 5/8 UNC X 1-1/4 G8	6	F
5	68890	C/SCR, HH M10 X 1.5 X 50 G8.8	1	F
6	68921	C/SCR, HH M12 X 1.75 X 45 G8.8	2	
7	68922	C/SCR, HH M12 x 1.75 x 50	8	F
8	85271	C/SCR, BH M10-1.5 x 20	6	F
9	93115	NUT, HEX M10-1.5 CL8	6	F
11	93128	L/WASHER, SPRING M10	6	F
12	93129	L/WASHER, SPLIT SPRING M12	10	F
13	93130	L/WASHER, SPRING M16	9	F
14	93168	C/SCR, SH M10-1.5 X 40 G12.9	12	F
15	93232	SCREW CAP SOC HD M10-1.5 X 30	4	
16	93236	C/SCR, SH M10-1.5 X 25 G12.9	8	F
17	93252	WASHER, FLAT M10 SAE G2	7	F
18	93363	NIPPLE, GREASE M6-1 STR	1	
19	58938	C/SCR, SH M16 x 2.0 x 40	6	F
20	5400248	DRUM WELDMENT	1	C
21	3003856	WELDMENT, RH PLATE	1	D
22	3003857	WELDMENT, LH PLATE	1	D
23	3003858	GUARD WELDMENT	1	C
24	3003859	WELDMENT, BRACKET MOUNTING	2	D
25	3003861	BAR, TIE DOWN	1	D
26	3003872	FLANGE, BEARING	1	D
27	3003873	FLANGE, MOTOR MOUNT	1	D
28	94598	WASHER SAFETY 16ID	6	F
29	3003894	SHAFT, DRUM	1	C
30	5400249	PLATE, DRUM END	1	D
31	3070406	BALL BEARING 65x140 6313	1	B
32	3070423	NUT, HH 5/8 UNF - 18	9	F
33	3071120	DRIVE ASM, HYDRAULIC	1	B

LF230 2007-193 Thru Current

Copyright © 2019 Boart Longyear. All rights reserved.

Boart Longyear is constantly striving to improve its products and must therefore, reserve the right to change designs, materials, specifications and price without notice.



3003860 WIRE LINE HOIST ASSEMBLY

Comments for Page: 3003860 WIRE LINE HOIST ASSEMBLY

(#31 3070406)INCLUDED IN WIRELINE WINCH SPARES KIT # 3004204

LF230 2007-193 Thru Current

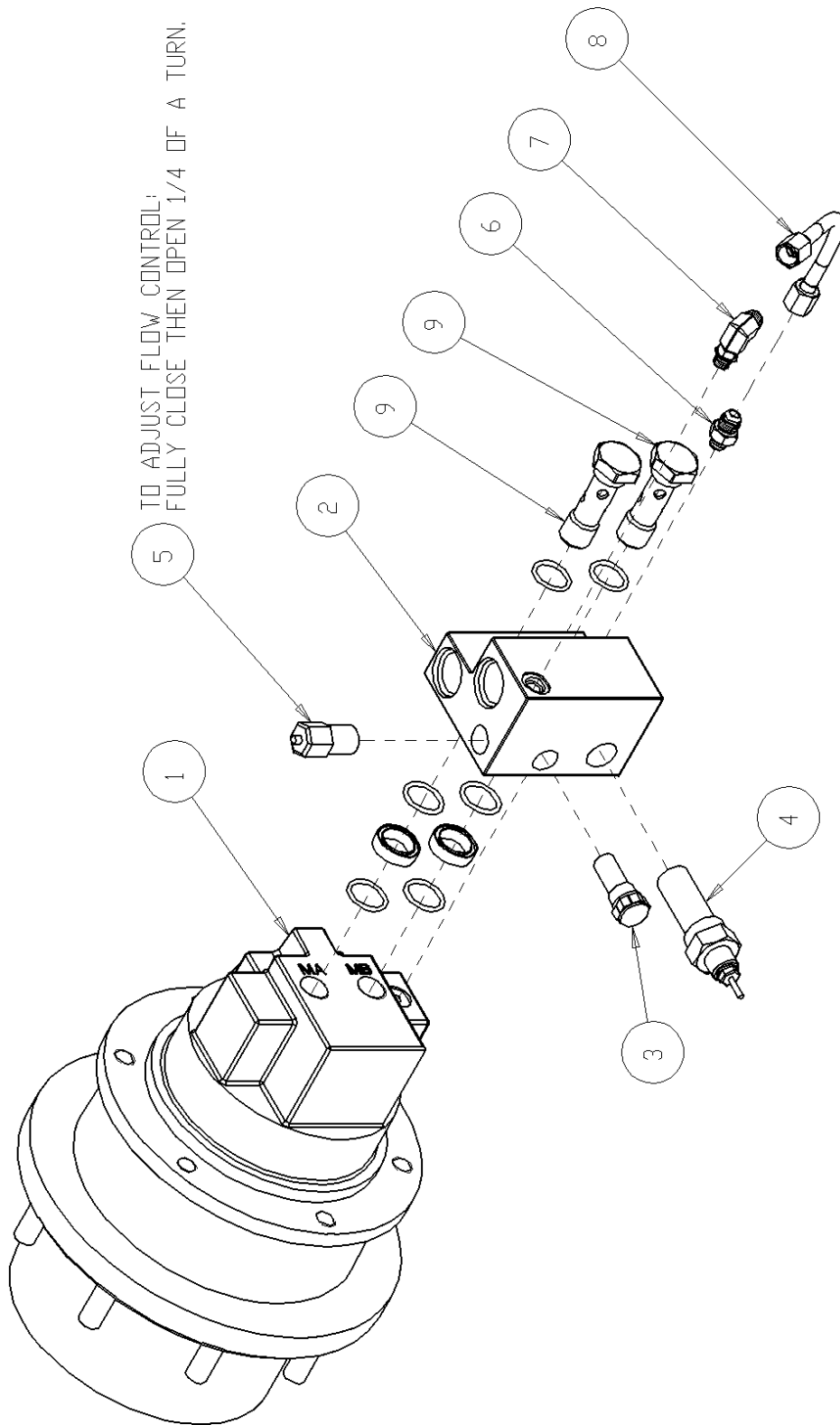
Copyright © 2019 Boart Longyear. All rights reserved.

Boart Longyear is constantly striving to improve its products and must therefore, reserve the right to change designs, materials, specifications and price without notice.



3071120 DRIVE ASM, HYDRAULIC

3003860 WIRE LINE HOIST ASSEMBLY



LF230 2007-193 Thru Current

Copyright © 2019 Boart Longyear. All rights reserved.

Boart Longyear is constantly striving to improve its products and must therefore, reserve the right to change designs, materials, specifications and price without notice.



Item	Part No.	Name	Qty	Service
1	NPPA	NOT SOLD SEPARATELY	1	
2	NOPARTNUMBER	NO PART NUMBER	1	
3	3069480	CARTRIDGE, HYD SHUTTLE	1	B
4	3070567	CARTRIDGE, COUNTERBALANCE VALVE	1	B
5	3070718	CARTRIDGE, FLOW CONTROL	1	B
6	39511	ADAP, HYD 6 JIC - 4 ORB	1	
7	44302	ADAP, HYD 90 #6 JIC x #4 ORB	1	F
8	NOPARTNUMBER	NO PART NUMBER	1	
9	NOPARTNUMBER	NO PART NUMBER	2	

LF230 2007-193 Thru Current

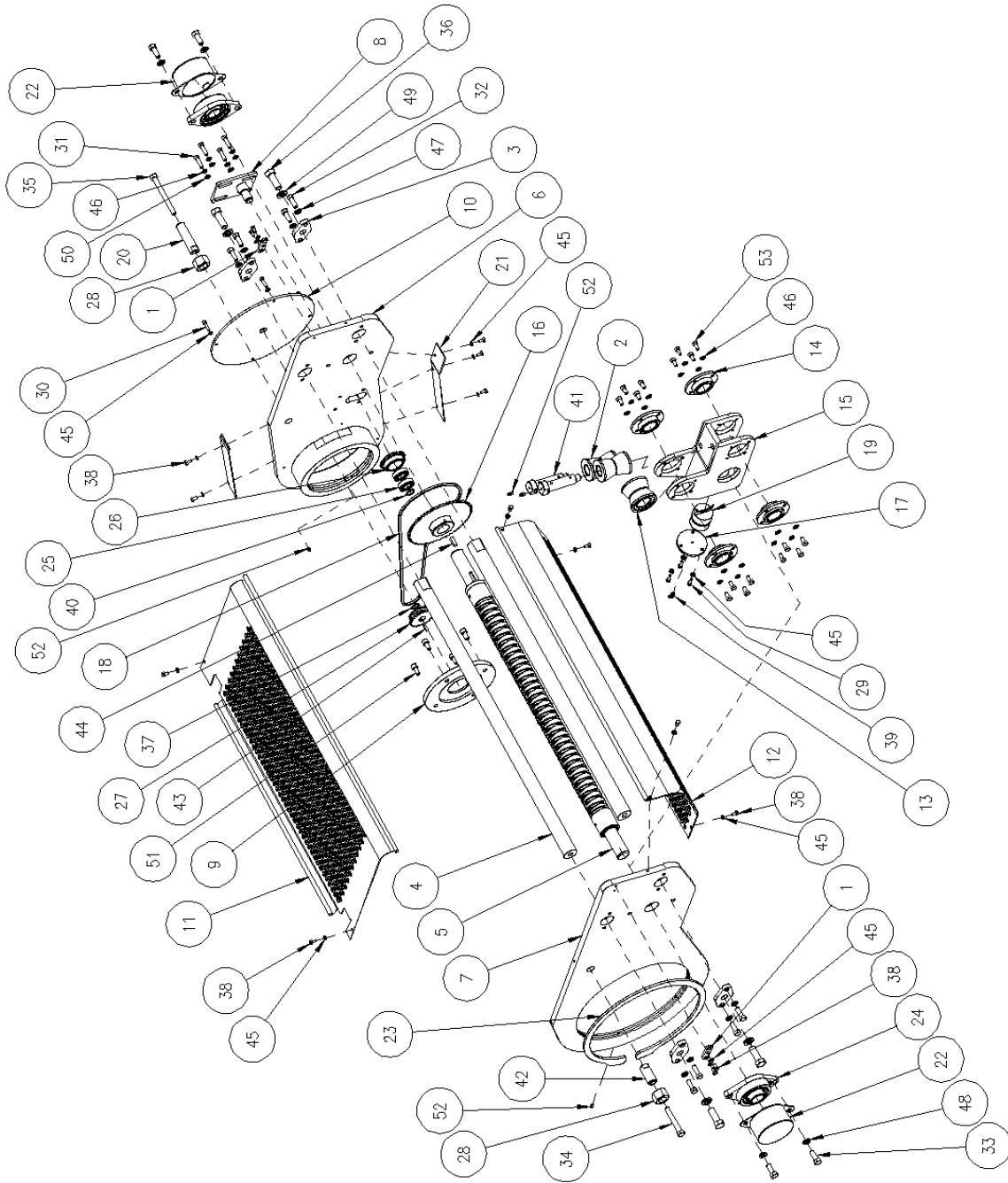
Copyright © 2019 Boart Longyear. All rights reserved.

Boart Longyear is constantly striving to improve its products and must therefore, reserve the right to change designs, materials, specifications and price without notice.



3003870 SPOOLING DEVICE, WIRELINE

3003870 SPOOLING DEVICE, WIRELINE



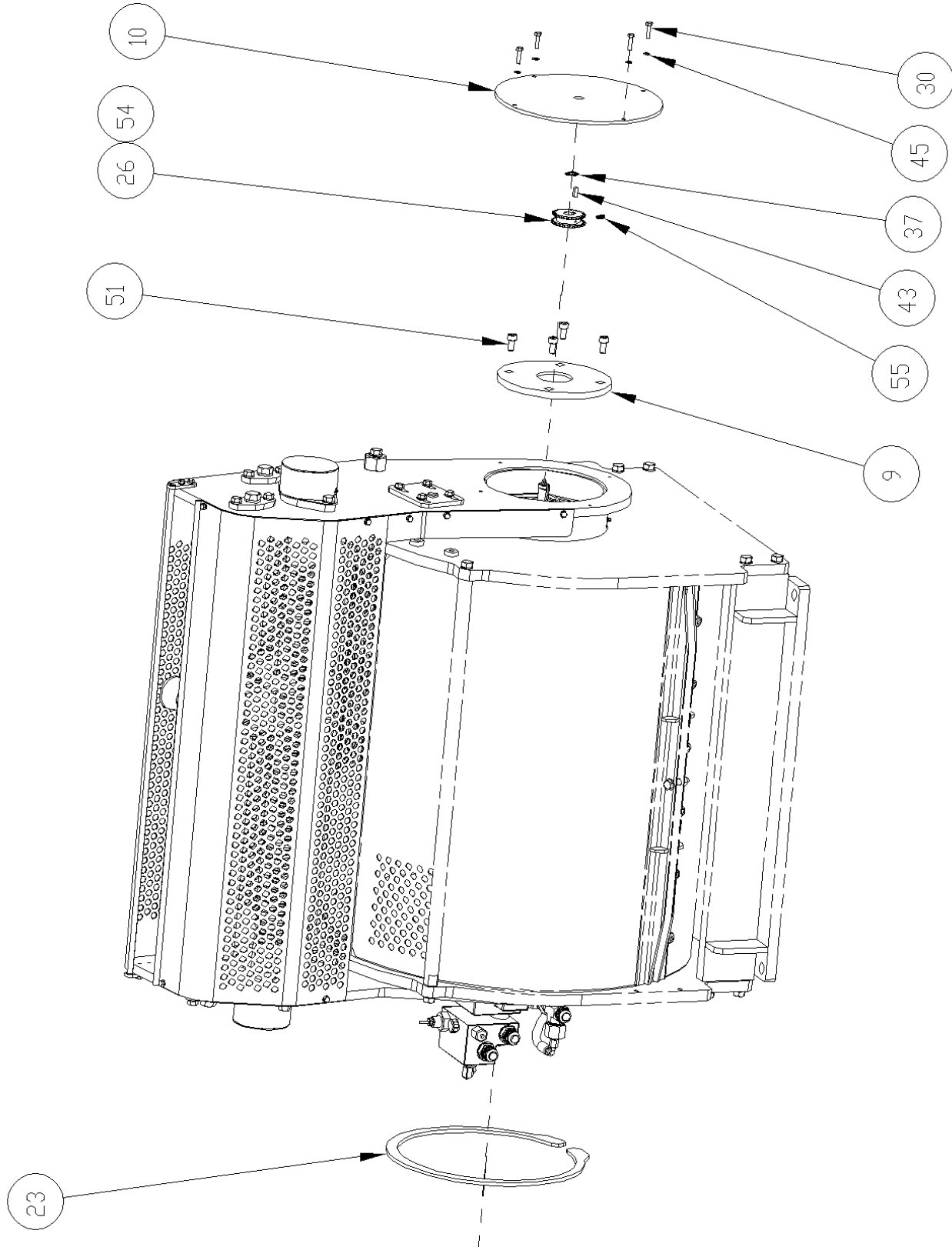
LF230 2007-193 Thru Current

Copyright © 2019 Boart Longyear. All rights reserved.

Boart Longyear is constantly striving to improve its products and must therefore, reserve the right to change designs, materials, specifications and price without notice.



3003870 SPOOLING DEVICE, WIRELINE



LF230 2007-193 Thru Current

Copyright © 2019 Boart Longyear. All rights reserved.

Boart Longyear is constantly striving to improve its products and must therefore, reserve the right to change designs, materials, specifications and price without notice.



Item	Part No.	Name	Qty	Service
1	3000557	PLATE, HINGE	2	B
2	5004467	ROLLER ASM, LONG CERAMIC	2	B
3	3003862	PLATE, KEEPER	4	C
4	3003867	BAR, TIE	2	C
5	3003868	SHAFT, SPOOLING	1	B
6	3003869	PLATE, LH SIDE	1	D
7	3003871	PLATE, RH SIDE	1	D
8	3003877	SHAFT, WELDMENT IDLER	1	C
9	3003895	PLATE, BEARING CAP	1	D
10	3003897	COVER, BEARING	1	D
11	3003898	GUARD, TOP	1	C
12	3003899	GUARD, BOTTOM	1	C
13	5004470	ROLLER ASM, SHORT CERAMIC	1	B
14	5404756	HOUSING, ASSEMBLY SPOOLING DEVICE	4	C
15	3003908	BLOCK, TRAVELLING	1	C
16	3003909	SPROCKET, 60T 3/8P	1	C
17	3003911	COVER	1	C
18	3003914	CHAIN, ROLLER 3/8P x 142 Lg.	1	A
19	3003916	FOLLOWER, SPOOLING DEVICE	1	B
20	3003926	FOLLOWER, THREAD SPOOLING DEVICE	1	C
21	3004326	GUARD, CHAIN	1	D
22	3004331	COVER, SPOOL SHAFT	2	D
23	3070407	RETAINING RING, 330 DIA	1	D
24	3070409	BEARING, FLANGE 35 ID Y-TYPE	2	B
25	89807	BEARING BALL 20ID	2	B
26	89733	SPROCKET, 22T 3/8P	1	B
27A	5404751	SPROCKET, COMPOUND 18T/19T	1	B
27B	5404752	SPROCKET, COMPOUND 20T/21T	1	B
28	59510	L/NUT, STOVER M24-3	2	F
29	68838	C/SCR, HH M6 X 1.0 X 20 G8.8	3	F
30	68839	C/SCR, HH M6-1.0 x 25	4	F
31	68863	C/SCR, HH M8 X 1.25 X 30 G8.8	4	F

LF230 2007-193 Thru Current

Copyright © 2019 Boart Longyear. All rights reserved.

Boart Longyear is constantly striving to improve its products and must therefore, reserve the right to change designs, materials, specifications and price without notice.



Item	Part No.	Name	Qty	Service
32	68886	C/SCR, HH M10 X 1.5 X 30 G8.8	8	F
33	68918	C/SCR, HH M12 X 1.75 X 30 G8.8	4	F
34	68928	C/SCR, HH M12-1.75 X 80 G8.8	1	F
35	68934	C/SCR, HH M12-1.75 x 120	1	F
36	68953	C/SCR, HH M16 X 2.0 X 45 G8.8	4	F
37	81777	CIRCLIP EXT 19 X 1.2	1	F
38	86514	C/SCR, HH M6-1 x 12	15	F
39	87171	NIPPLE, GREASE M-6 90 DEGREE	1	
40	87560	CIRCLIP EXT 20 X 1.2	1	F
41	89726	PIN, ROLLER	2	B
42	89738	SCREW, ADJ SHORT	1	B
43	89877	KEY 6 X 6 X 17	1	F
44	89878	KEY 7 X 8 X 25	1	F
45	93126	WASHER, SPRING M6	22	F
46	93127	LWASHER, M8 G2	20	F
47	93128	LWASHER, SPRING M10	8	F
48	93129	LWASHER, SPLIT SPRING M12	4	F
49	93130	LWASHER, SPRING M16	4	F
50	93251	WASHER, FLAT M8 SAE G2	4	F
51	93341	C/SCR, SH M10-1.5 x 20 GR12.9	4	F
52	93363	NIPPLE, GREASE M6-1 STR	4	
53	93375	C\SCR, HH M8-1.25 x 16	16	F
55	93019	S/SCR, SH M6 x 1 x 16	1	F

LF230 2007-193 Thru Current

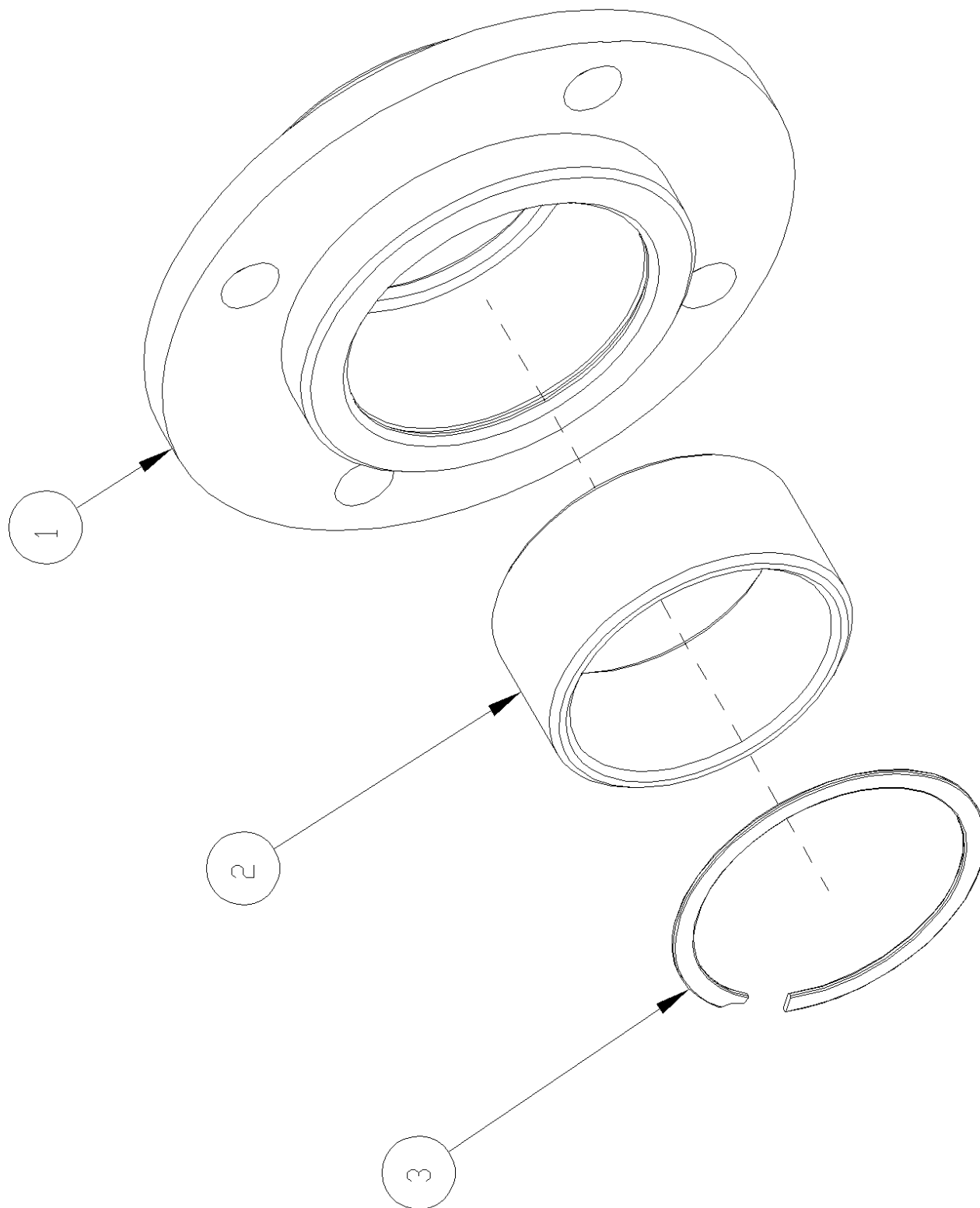
Copyright © 2019 Boart Longyear. All rights reserved.

Boart Longyear is constantly striving to improve its products and must therefore, reserve the right to change designs, materials, specifications and price without notice.



5404756 HOUSING ASM

3003870 SPOOLING DEVICE, WIRELINE



LF230 2007-193 Thru Current

Copyright © 2019 Boart Longyear. All rights reserved.

Boart Longyear is constantly striving to improve its products and must therefore, reserve the right to change designs, materials, specifications and price without notice.



Item	Part No.	Name	Qty	Service
1	5404754	HOUSING	1	D
2	5404755	BUSHING	1	B
3	5404757	SNAP RING, INTERNAL 1.75 DIA	1	B

LF230 2007-193 Thru Current

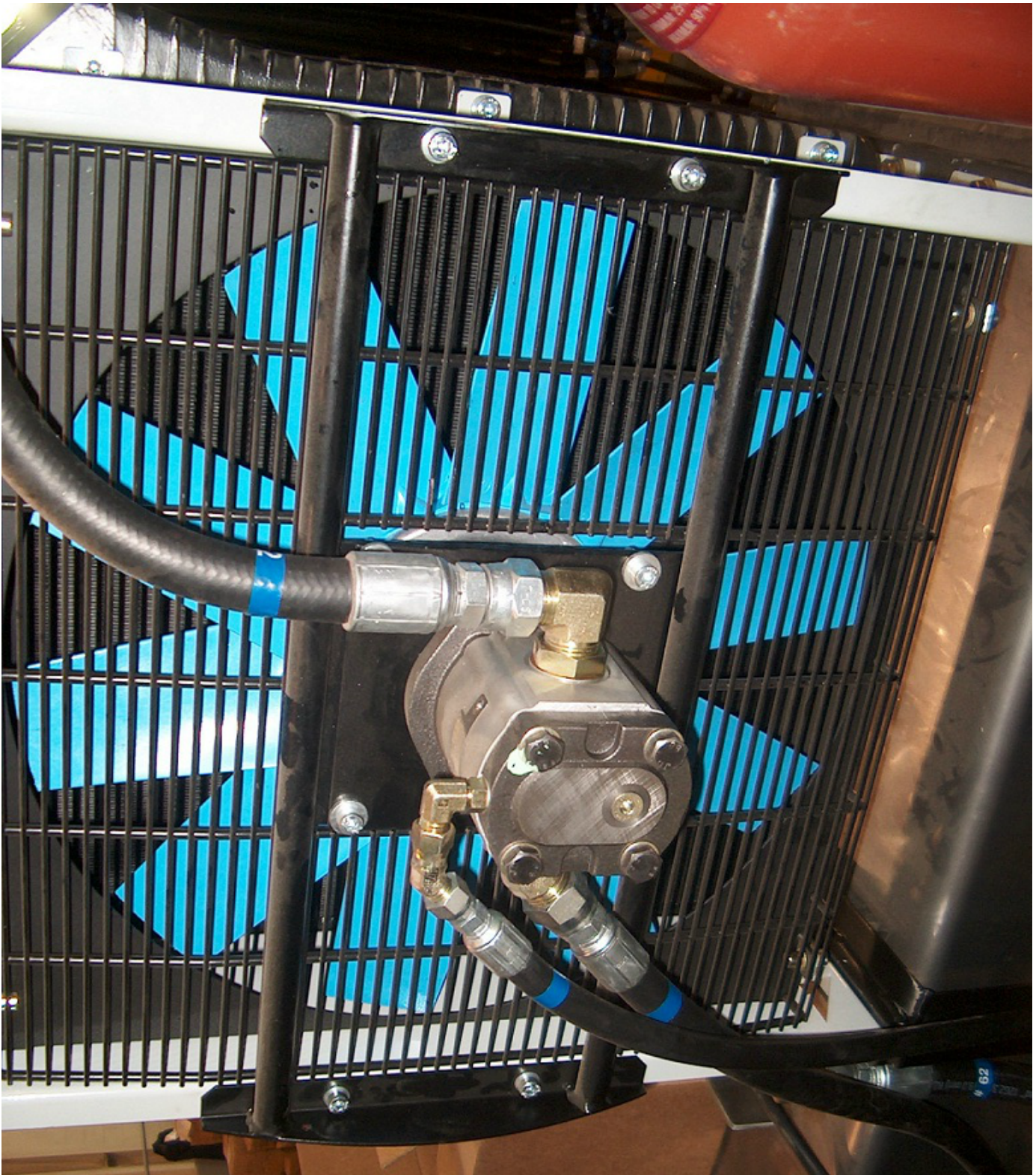
Copyright © 2019 Boart Longyear. All rights reserved.

Boart Longyear is constantly striving to improve its products and must therefore, reserve the right to change designs, materials, specifications and price without notice.



3546384 COOLER GRP, ASA TIER 1 ENGINE PRIOR TO 2009-007

HYD COOLERS PRIOR TO 2009-007



LF230 2007-193 Thru Current

Copyright © 2019 Boat Longyear. All rights reserved.

Boat Longyear is constantly striving to improve its products and must therefore, reserve the right to change designs, materials, specifications and price without notice.



Item	Part No.	Name	Qty	Service
1	3546729	MOTOR, LF230/90D OIL COOLER	1	
2	3546730	COOLER, HYDRAULIC OIL ASA C/W FAN	1	
Comments for Part Num. 3546730				
MOTOR NOT INCLUDED, MUST ORDER COMPLETE COOLER ASM 3546384				
FAN #5003524				
UNIBOSS #5003527				
3	3547425	GUARD, LF230/90D REMOTE COOLER	1	
4	19155	EYEBOLT, 3/8 UNC	2	
5	3547470	BUSHING, REMOTE COOLER FAN	1	
6	44512	C/SCR, HH 3/8 UNC X 1 G8	16	F
7	44859	WASHER, FLAT 3/8 SAE G8	18	F
8	44520	L/WASHER, 3/8 SAE G8	18	F
9	103968	NUT, HEX 3/8 UNC	12	F

LF230 2007-193 Thru Current

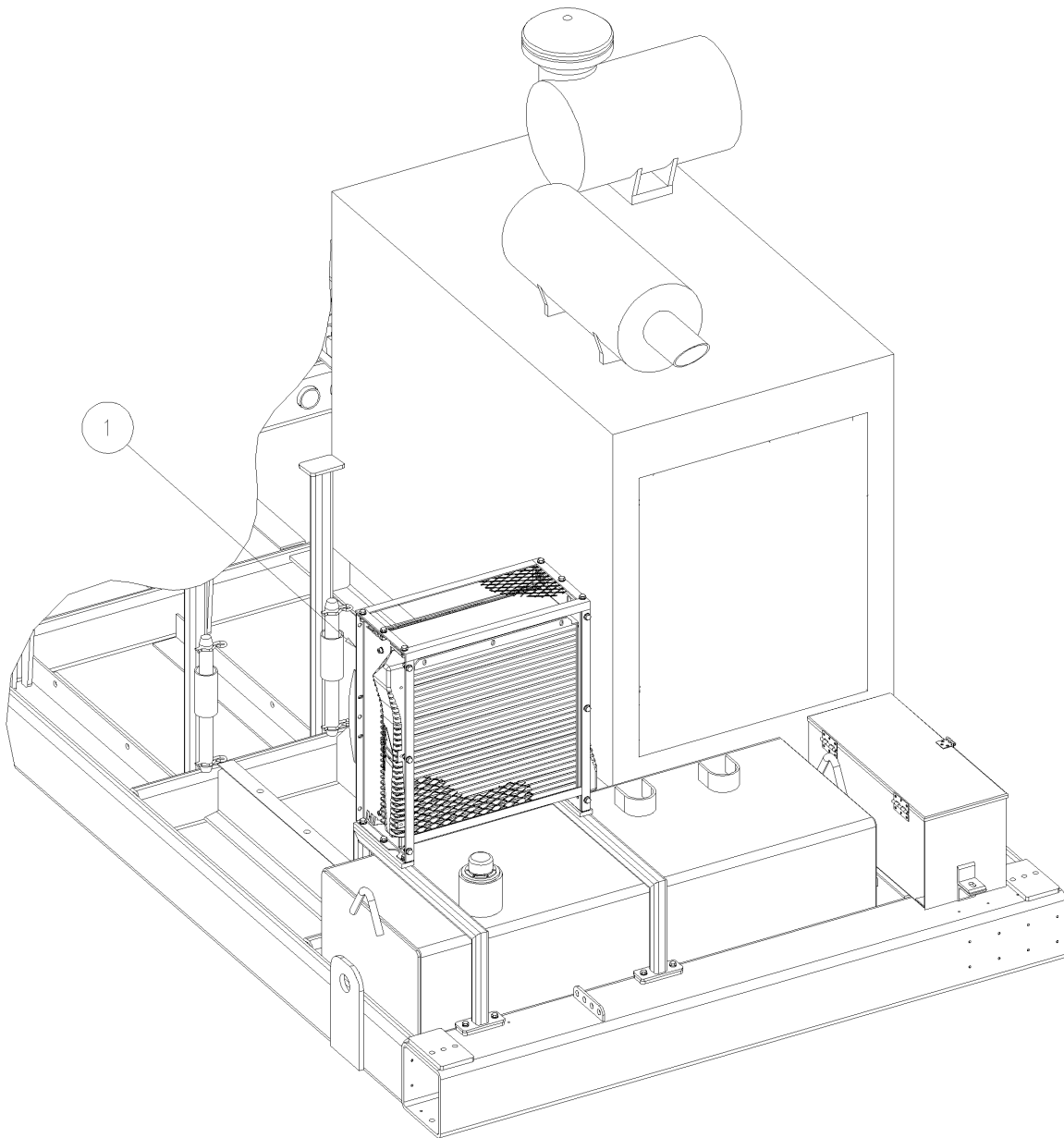
Copyright © 2019 Boart Longyear. All rights reserved.

Boart Longyear is constantly striving to improve its products and must therefore, reserve the right to change designs, materials, specifications and price without notice.



3548558 COOLER GRP, HYDAC ELH6 COMBO TIER 3 CUMMINS ENGINE ONLY

HYD COOLERS PRIOR TO 2009-007



LF230 2007-193 Thru Current

Copyright © 2019 Boat Longyear. All rights reserved.

Boat Longyear is constantly striving to improve its products and must therefore, reserve the right to change designs, materials, specifications and price without notice.



Item	Part No.	Name	Qty	Service
1	3548512	COOLER, HYD OIL DUAL CORE	1	B
2	44593	C/SCR, HH 3/8 UNC X 1-1/4 G8	4	F
3	44520	L/WASHER, 3/8 SAE G8	4	F
4	44859	WASHER, FLAT 3/8 SAE G8	4	F

LF230 2007-193 Thru Current

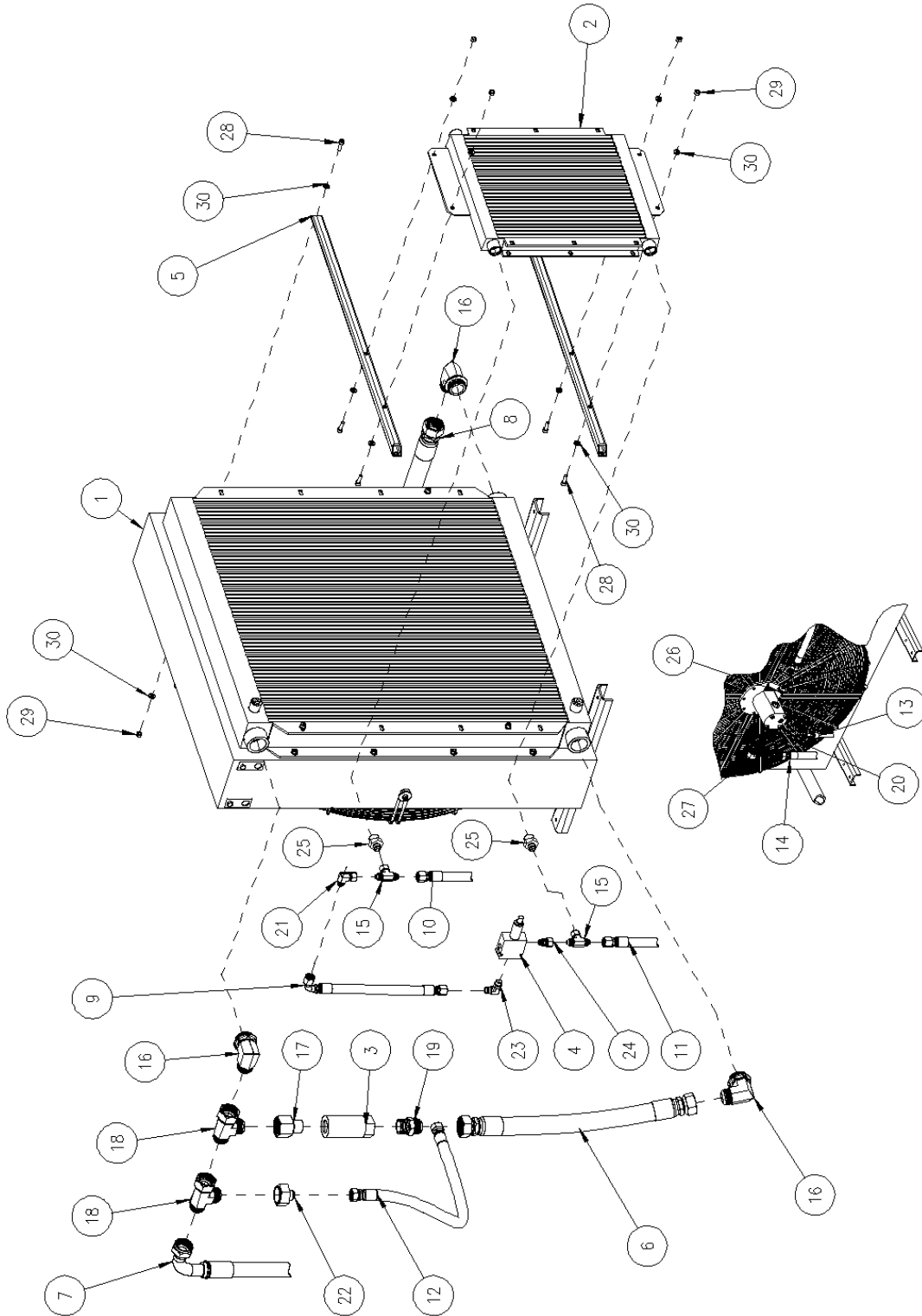
Copyright © 2019 Boart Longyear. All rights reserved.

Boart Longyear is constantly striving to improve its products and must therefore, reserve the right to change designs, materials, specifications and price without notice.



5000333 COOLER GRP, HEAVY DUTY ELH10 S/N 2009-007 AND UP

5000333 COOLER GRP, HEAVY DUTY ELH10 S/N 2009-007 AND UP



LF230 2007-193 Thru Current

Copyright © 2019 Boat Longyear. All rights reserved.

Boat Longyear is constantly striving to improve its products and must therefore, reserve the right to change designs, materials, specifications and price without notice.



Item	Part No.	Name	Qty	Service
1	3549249	COOLER, HYD ELH 10	1	C
2	5002389	COOLER, AUXILLARY	1	B
3	3549196	VALVE, HYD CHECK 72 PSI	1	
4	5004508	VALVE ASM, HYD RELIEF	1	
5	5004473	MOUNT, HEAD COOLER	2	D
6	5000550	HOSE ASM, 1-1/4 X 26	1	
7	5004480	HOSE ASM, 1-1/4 X 119	1	
8	5004511	HOSE ASM, 1-1/4 X	1	
9	5004497	HOSE ASM, #8 X 11-1/2	1	
10	5004509	HOSE ASM, #8 X 273	1	
11	5004510	HOSE ASM, #8 X	1	
12	5000551	HOSE ASM, #12 X 34	1	
13	5004532	HOSE ASM, # 4 X 150	1	
14	5004531	HOSE ASM, #12 X 102	1	
15	33087	ADAPT, TEE #8 JIC(F) x #8 JIC	2	F
16	3540682	ADAP, HYD 90Deg 20 JIC x 24 ORB	3	F
17	5002546	ADAP, HYD STR 20 NPT - 20 JIC F	1	
18	5002547	ADAP, HYD TEE 20 JIC	2	
19	25464	ADAP, HYD STR 20JIC 20NPTF	1	F
20	37015	ADAP, HYD 90 4JIC 4ORB	1	F
21	39690	ADAP, HYD 90 8JIC 8JIC-F	1	F
22	5004454	ADAP, HYD STR 20 JIC (F) 12 JIC	1	F
23	32556	ADAP, HYD 90 8JIC 6ORB	1	F
24	34198	ADAPT, #8 JIC SWIVEL x #6 ORB	1	
25	36491	ADAP, HYD STR 8JIC 12ORB	2	F
26	36960	ADAP, HYD STR 12JIC 10ORB	1	F
27	36967	ADAP, HYD 90 12JIC 10ORB	1	F
28	104293	C/SCR, SH M8 x 1.25 x 25	8	F
29	93114	NUT, HEX M8-1.25 CL8	8	F
30	93251	WASHER, FLAT M8 SAE G2	16	F

LF230 2007-193 Thru Current

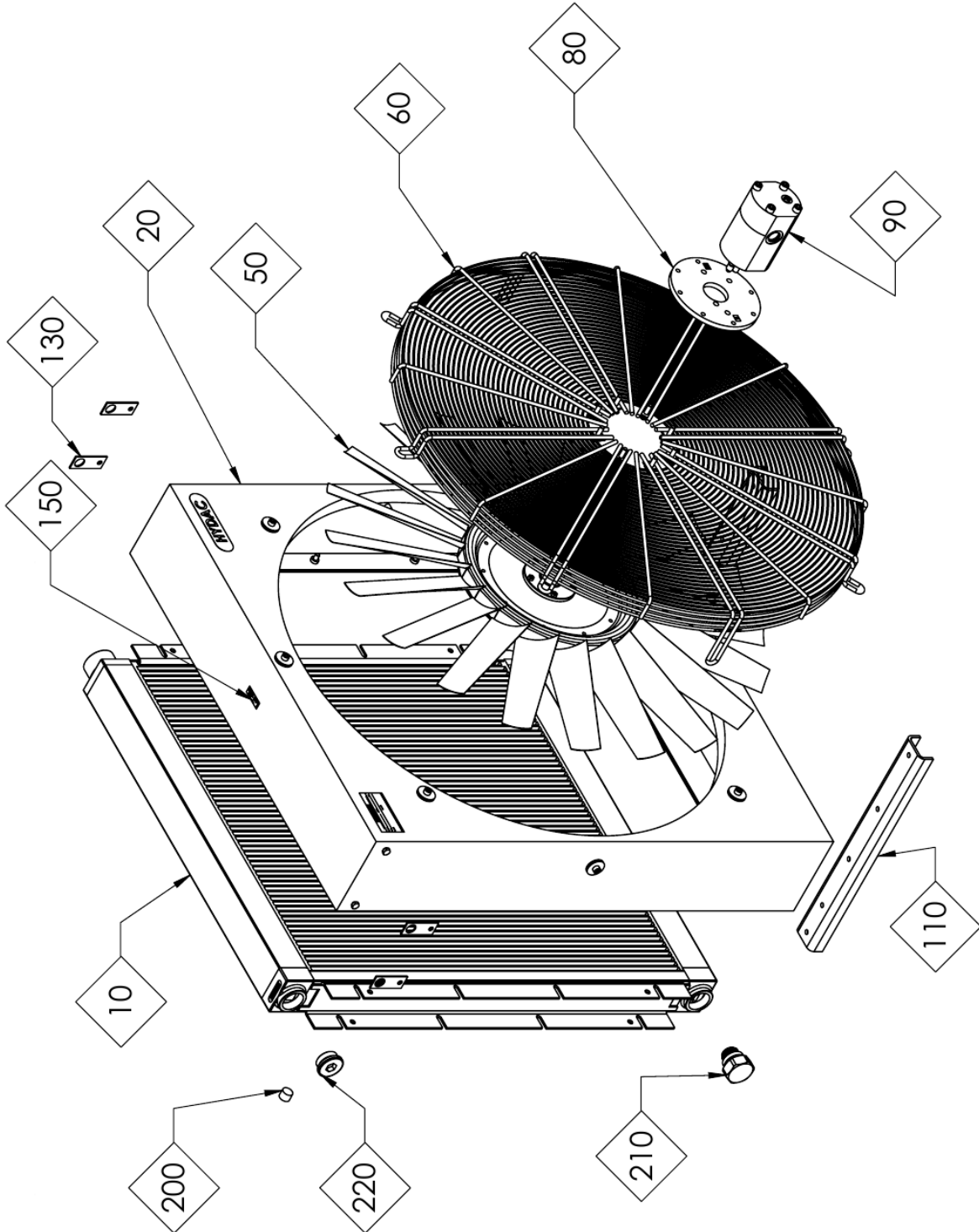
Copyright © 2019 Boart Longyear. All rights reserved.

Boart Longyear is constantly striving to improve its products and must therefore, reserve the right to change designs, materials, specifications and price without notice.



3549249 COOLER ASM, BARE

5000333 COOLER GRP, HEAVY DUTY ELH10 S/N 2009-007 AND UP



LF230 2007-193 Thru Current

Copyright © 2019 Boat Longyear. All rights reserved.

Boat Longyear is constantly striving to improve its products and must therefore, reserve the right to change designs, materials, specifications and price without notice.



Item	Part No.	Name	Qty	Service
50	5002665	FAN	REF	
90	5002666	MOTOR, HYD COOLER	REF	B

LF230 2007-193 Thru Current

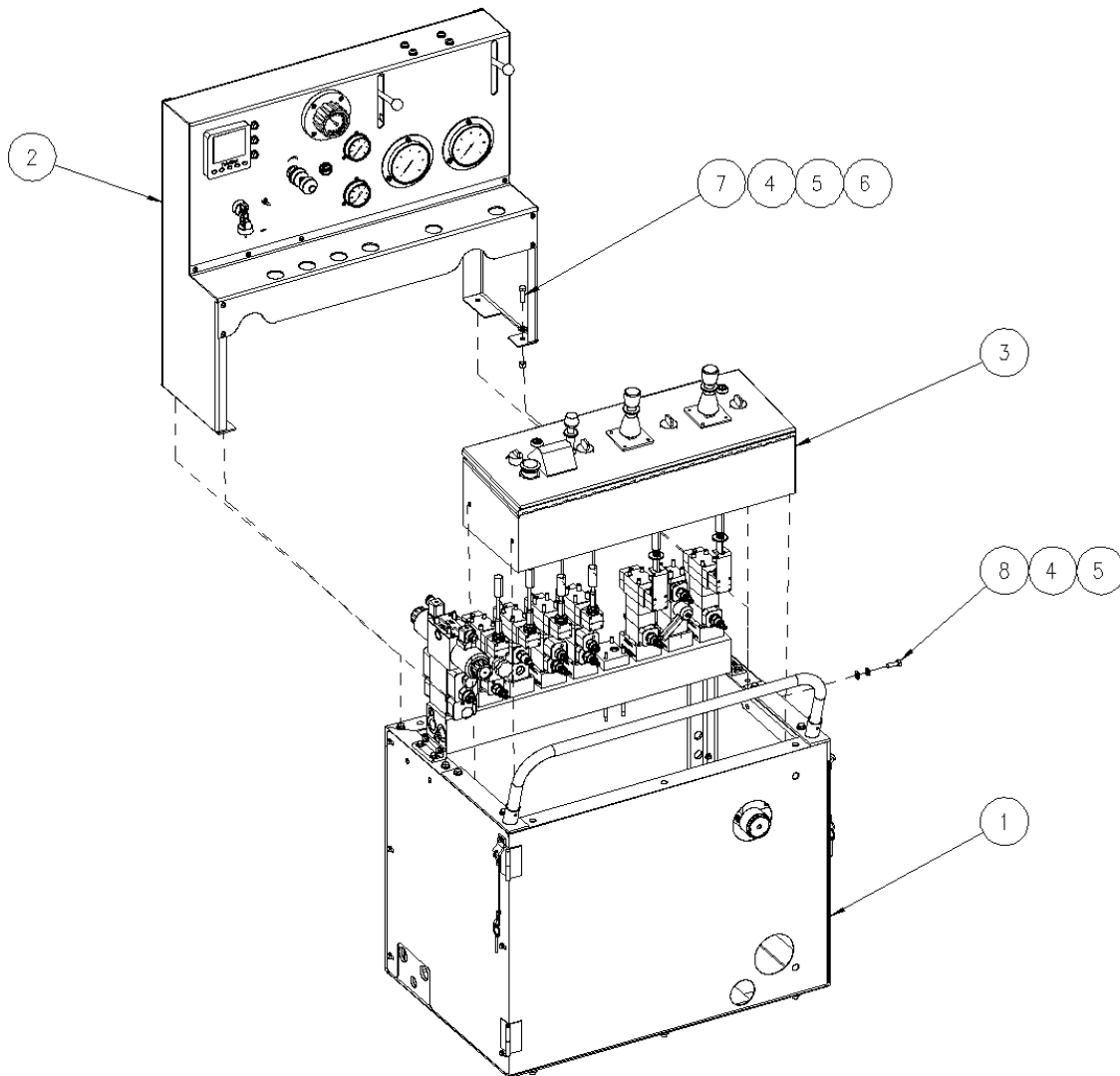
Copyright © 2019 Boart Longyear. All rights reserved.

Boart Longyear is constantly striving to improve its products and must therefore, reserve the right to change designs, materials, specifications and price without notice.



3549237 CONTROL CONSOLE ASM S/N 2007-193 AND UP

3549237 CONTROL CONSOLE ASM S/N 2007-193 AND UP



LF230 2007-193 Thru Current

Copyright © 2019 Boart Longyear. All rights reserved.

Boart Longyear is constantly striving to improve its products and must therefore, reserve the right to change designs, materials, specifications and price without notice.



Item	Part No.	Name	Qty	Service
1	5001471	CONSOLE ASM, LOWER	1	D
2	5001470	CONSOLE ASM, UPPER	1	D
3	3549455	CONTROL PANEL ASSEMBLY (OCP)	1	D
4	44859	WASHER, FLAT 3/8 SAE G8	8	F
5	44520	L/WASHER, 3/8 SAE G8	8	F
6	44527	NUT, HEX 3/8 UNC G8	4	F
7	44593	C/SCR, HH 3/8 UNC X 1-1/4 G8	4	F
8	44512	C/SCR, HH 3/8 UNC X 1 G8	4	F

LF230 2007-193 Thru Current

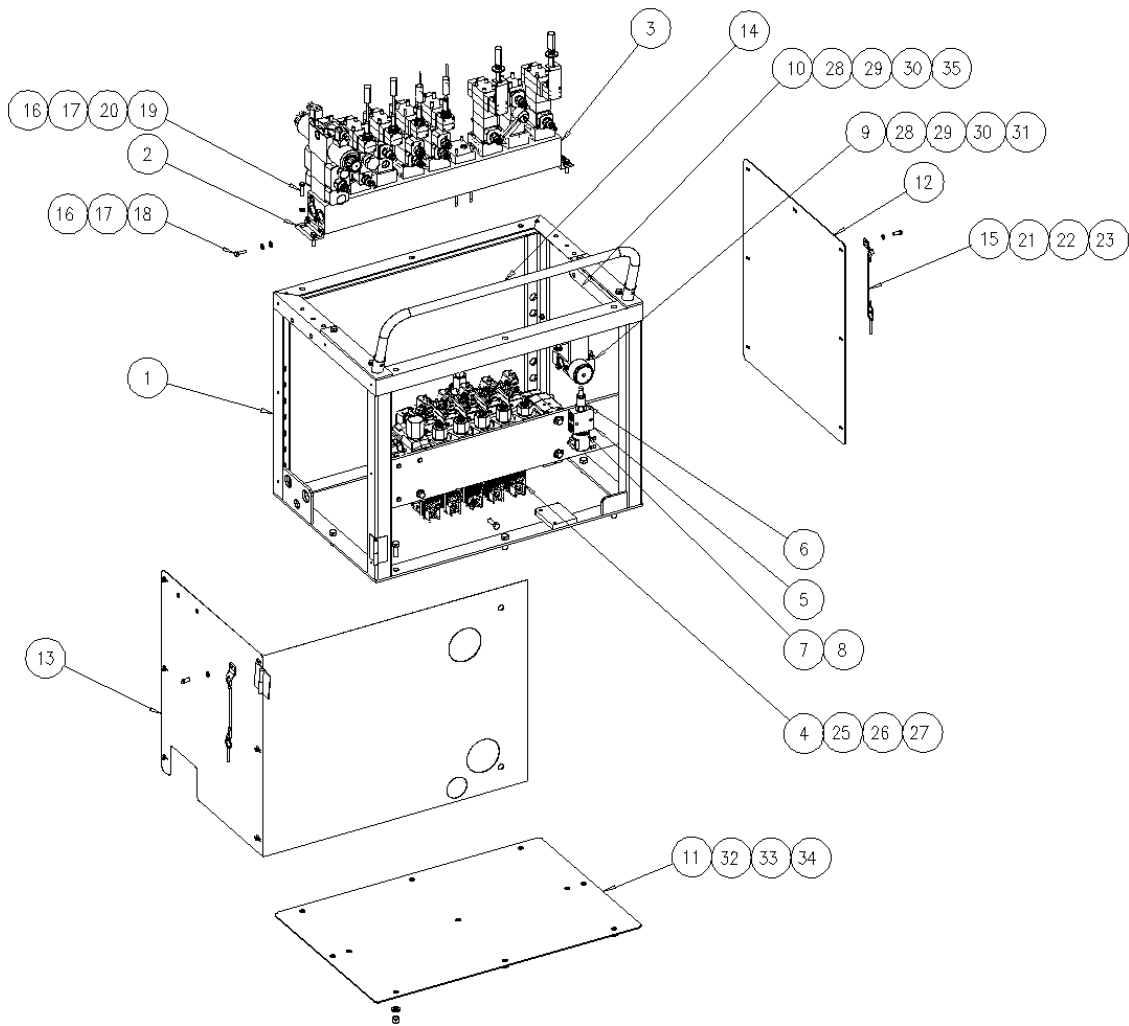
Copyright © 2019 Boart Longyear. All rights reserved.

Boart Longyear is constantly striving to improve its products and must therefore, reserve the right to change designs, materials, specifications and price without notice.



5001471 CONSOLE ASM, LOWER

5001471 CONSOLE ASM, LOWER



LF230 2007-193 Thru Current

Copyright © 2019 Boart Longyear. All rights reserved.

Boart Longyear is constantly striving to improve its products and must therefore, reserve the right to change designs, materials, specifications and price without notice.



Item	Part No.	Name	Qty	Service
1	3546959	FRAME, LOWER CONSOLE	1	D
2	3546987	BRACKET, AUXILIARY VALVE SUPPORT	2	D
3	3546800	MANIFOLD ASM, DO3/DO5	1	C
4A	3546900	VALVE, HYD 6 SPOOL	REF	
Comments for Part Num. 3546900 SPECIAL ORDER WITH HYDRAULIC ADAPTERS INSTALLED . ORDER VALVE 3546900 (NO FITTINGS) DRILL RIGS MANUFACTURED PRIOR TO S/N 2013-459 USE THIS 6 SPOOL VALVE ASM				
4B	5401691	VALVE ASM, HYD 5 SPOOL	1	D
Comments for Part Num. 5401691 SPECIAL ORDER WITH HYDRAULIC ADAPTERS INSTALLED . ORDER VALVE 5400750 (NO FITTINGS)DRILL RIGS MANUFACTURED AFTER S/N 2013-459 USE THIS 5 SPOOL VALVE ASM				
5	3546028	MANIFOLD, PRE-TORQUE VALVE	1	C
15	5001565	PIN ASM, QUICK RELEASE 1/4"	2	D
6	5403096	CARTRIDGE, HYD RELIEF	1	B
7	3547007	VALVE, SOLENOID	1	B
8	3547008	COIL, SOLENOID	1	B
9	5000379	VALVE, WATER PUMP CONTROL	1	B
Comments for Part Num. 5000379 SEAL KIT 5405906				
10	3546962	BRACKET, CONTROL PANEL SUPPORT	2	D
11	3546984	PANEL, LF230 CONSOLE BOTTOM	1	D
12	3546985	PANEL, LF230 CONSOLE SIDE	1	D
13	3546922	COVER, CONSOLE STAND ACCESS	1	D
Comments for Part Num. 3546922 COVER LOCK # 3541849 - QTY 2 REQUIRED				
14	5001566	BAR, SAFETY	1	D
16	46510	WASHER, FLAT 5/16 SAE G8	8	F
17	44519	L/WASHER, 5/16 SAE G8	8	F
18	44509	C/SCR, HH 5/16 UNC X 1 G8	4	F
19	44557	C/SCR, HH 5/16 UNC X 1-1/4 G8	4	F

LF230 2007-193 Thru Current

Copyright © 2019 Boart Longyear. All rights reserved.

Boart Longyear is constantly striving to improve its products and must therefore, reserve the right to change designs, materials, specifications and price without notice.



Item	Part No.	Name	Qty	Service
20	44552	NUT, HEX 5/16 UNC G8	4	F
21	46087	WASHER, FLAT 1/4 SAE G8	13	F
22	44518	L/WASHER, 1/4 SAE G8	9	F
23	44631	C/SCR, HH 1/4 UNC X 3/4	13	F
24	44567	NUT, HEX 1/4 UNC G8	9	F
25	45867	WASHER, FLAT 7/16 USS G2	4	F
26	44660	L/WASHER, 7/16 SAE G8	4	F
27	44659	C/SCR, HH 7/16 UNC X 1-1/4 G8	4	F
28	44859	WASHER, FLAT 3/8 SAE G8	6	F
29	44527	NUT, HEX 3/8 UNC G8	6	F
30	44520	L/WASHER, 3/8 SAE G8	6	F
31	44595	C/SCR, HH 3/8 UNC X 2-1/2 G8	2	F
32	44521	L/WASHER, 1/2 SAE G8	8	F
33	44525	NUT, HEX 1/2 UNC G8	8	F
34	44530	C/SCR, HH 1/2 UNC X 1-1/4 G8	8	F
35	44536	C/SCR, HH 3/8 UNC X 1-1/2 G8	4	F

LF230 2007-193 Thru Current

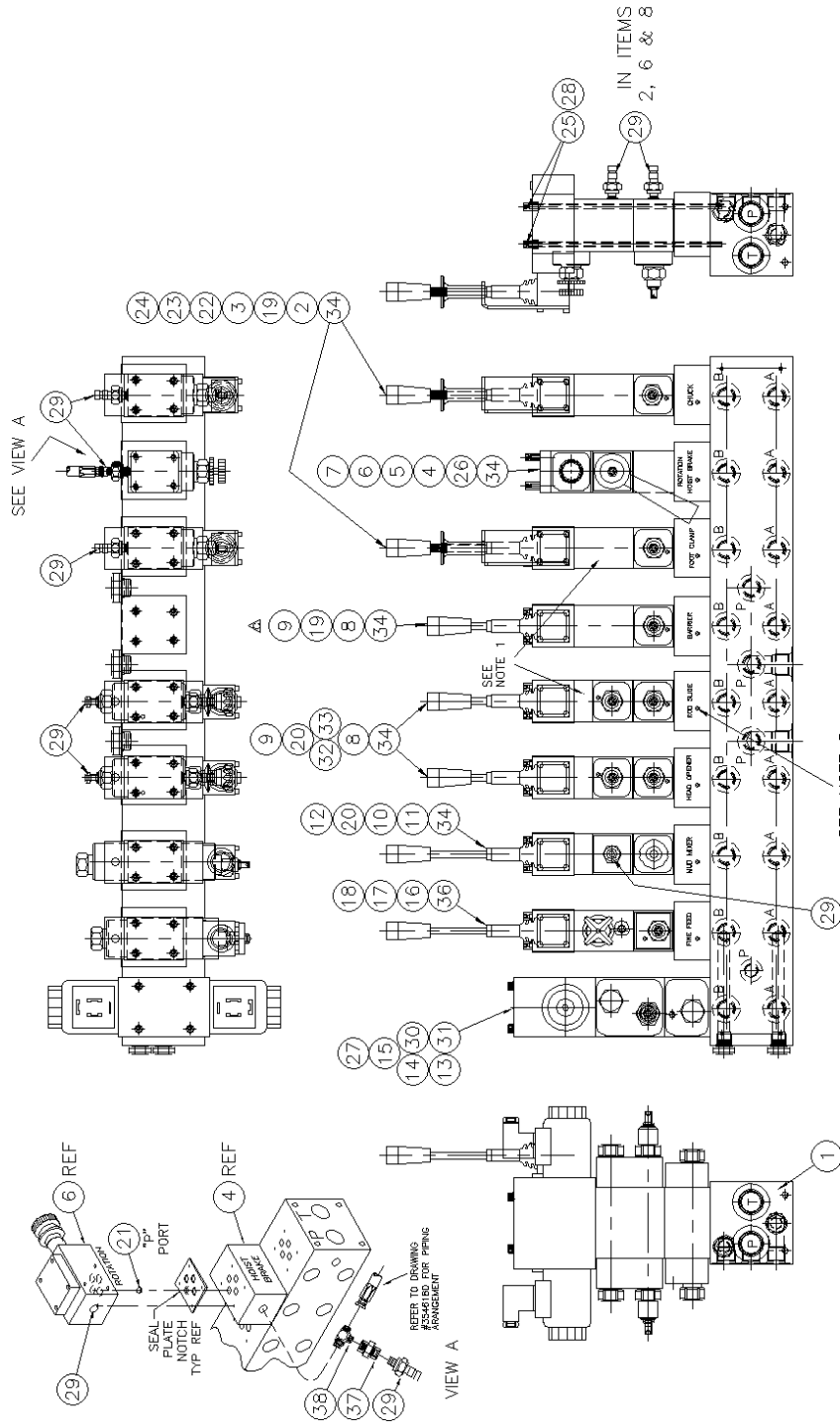
Copyright © 2019 Boart Longyear. All rights reserved.

Boart Longyear is constantly striving to improve its products and must therefore, reserve the right to change designs, materials, specifications and price without notice.



3546800 MANIFOLD ASM, DO3/DO5

5001471 CONSOLE ASM, LOWER



SEE NOTE 2

- NOTES:
1. ENSURE SPACERS, ITEMS 19 & 20 ARE ALIGNED CORRECTLY WITH VALVE PORTS.
 2. NOTE BALL LOCATIONS FOR CORRECT VALVE ORIENTATION.

LF230 2007-193 Thru Current

Copyright © 2019 Boat Longyear. All rights reserved.

Boat Longyear is constantly striving to improve its products and must therefore, reserve the right to change designs, materials, specifications and price without notice.



Item	Part No.	Name	Qty	Service
1	3546799	MANIFOLD, DO5 9 STATION	1	D
Comments for Part Num. 3546799 PACKAGE - O-RING, DO3 SIZE (100 PIECES) ORDER 3548596 PACKAGE - O-RING, D05 SIZE (100 PIECES) ORDER 5406364				
2	100231	VALVE ASM, HYD PRESSURE, CONTROL	2	C
Comments for Part Num. 100231 REPLACEMENT CARTRIDGE # 97003 CARTRIDGE SEAL KIT # 96770				
3	3544273	VALVE, CTRL CHUCK & ROD CLAMP	2	C
4	101664	VALVE, BODY HOIST BRAKE RELEASE	1	D
5	100705	CARTRIDGE, HYD CONTROL 2 POSITION 3 WAY	1	A
6	100229	VALVE, HYD PRESS. CONTROL (ROTATION)	1	C
Comments for Part Num. 100229 REPLACEMENT CARTRIDGE # 97004 CARTRIDGE SEAL KIT # 96772				
7	100230	PLATE, CROSSOVER	1	D
8	3543963	VALVE, PRESSURE REDUCING	3	C
Comments for Part Num. 3543963 REPLACEMENT CARTRIDGE # 97001				
9	3544275	VALVE, CONTROL 4 WAY 3 POSITION	3	B
10	101878	VALVE, HYD FEED MUD MIXER	1	C
Comments for Part Num. 101878 REPLACEMENT CARTRIDGE # 97005				
11	100226	VALVE, HYD SEQUENCE MUD MIXER	1	C
Comments for Part Num. 100226 REPLACEMENT CARTRIDGE # 97006 CARTRIDGE SEAL KIT #96770 ISO SEAL PLATE WITH ORINGS - 96653				
12	3544272	VALVE, CONTROL MUD MIXER	1	C
13	3543694	VALVE BODY, CHECK DUAL PO	1	B

LF230 2007-193 Thru Current

Copyright © 2019 Boart Longyear. All rights reserved.

Boart Longyear is constantly striving to improve its products and must therefore, reserve the right to change designs, materials, specifications and price without notice.



3546800 MANIFOLD ASM, DO3/DO5

Item	Part No.	Name	Qty	Service
14	3543693	CARTRIDGE, HYD PRESS REDUCING/RELIEVING	1	C
15	3546804	VALVE, D05/12V DIRECTIONAL	1	B
Comments for Part Num. 3546804 REPLACEMENT 12V COIL # 5406207				
16	104101	VALVE, PRESSURE REDUCING	1	B
Comments for Part Num. 104101 CARTRIDGE # 3541109				
17	3544270	VALVE, HYD FINE FEED RATE CONTROL	1	B
Comments for Part Num. 3544270 CARTRIDGE # 3547424				
18	3544271	VALVE, CONTROL HEAD FEED	1	C
19	3544263	SPACER, 2-1/2"	3	D
20	3544262	SPACER, 3/4"	3	D
21	3544264	ORIFICE, FIXED (.018") (PORT "P")	1	C
22	3544239	PLATE, LOCKING	2	C
23	3544240	PLUNGER, LOCKING	2	C
24	3544241	SPRING, COMPRESSION	2	C
25	3544252	STUD, #10-24UNC x 6.56 LG	32	D
26	3546805	SPACER, 1 3/4"	1	D
27	3543811	STUD KIT, 1/4-20UNC NUT & ROD	1	D
28	100608	NUT, STUD #10-24 NC	32	F
29	60093	ADAP, HYD DIAGNOSTIC COUPLER 1/4 NPT (M)	7	F
30	3543688	VALVE, REDUCING/RELIEVING	2	B
31	3543297	CARTRIDGE, HYD CHECK	2	B
32	103329	COUNTER BALANCE CARTRIDGE	4	B
33	103330	COUNTER BALANCE VALVE BODY	2	C
34	3546802	VALVE ADAPTER, D05 MANIFOLD	7	C
36	3546888	MANIFOLD SPACER, D03 REWORK	1	C
37	33681	ADAP, HYD #4 JIC x # 4 ORB TEE	1	F
38	306220	ADAP, HYD #4 JIC(F) x #4 NPT(F)	1	F

LF230 2007-193 Thru Current

Copyright © 2019 Boart Longyear. All rights reserved.

Boart Longyear is constantly striving to improve its products and must therefore, reserve the right to change designs, materials, specifications and price without notice.



3546800 MANIFOLD ASM, DO3/DO5

Comments for Page: 3546800 MANIFOLD ASM, DO3/DO5

(#2 100231)(#5 100705)(#6 100229)(#8 3543963)(#10 101878)(#11 100226)(#30 3543688)(#31 3543297)(#32 103329)INCLUDED IN SPARES KIT
3547262

LF230 2007-193 Thru Current

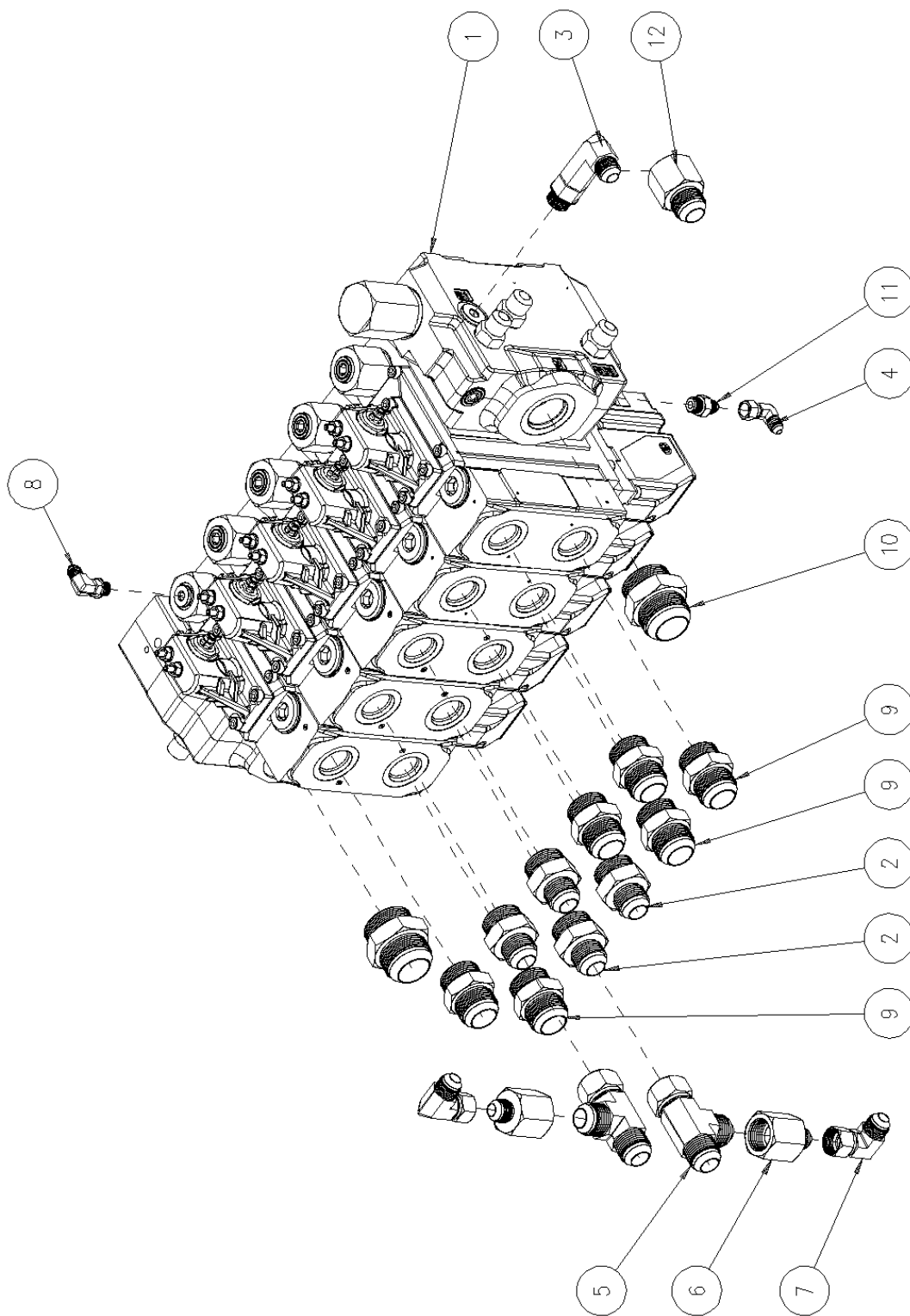
Copyright © 2019 Boart Longyear. All rights reserved.

Boart Longyear is constantly striving to improve its products and must therefore, reserve the right to change designs, materials, specifications and price without notice.



5401691 VALVE ASM, HYD 5 SPOOL

5001471 CONSOLE ASM, LOWER



LF230 2007-193 Thru Current

Copyright © 2019 Boart Longyear. All rights reserved.

Boart Longyear is constantly striving to improve its products and must therefore, reserve the right to change designs, materials, specifications and price without notice.

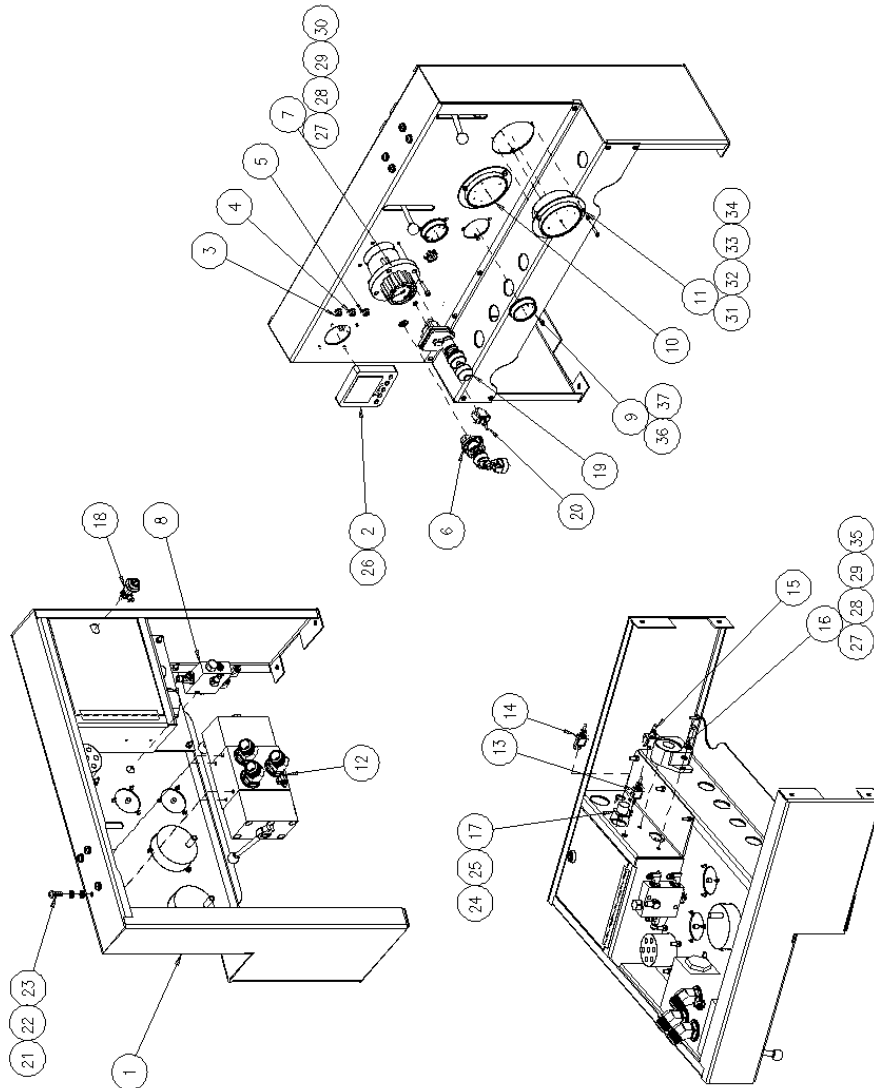


Item	Part No.	Name	Qty	Service
1	5400750	VALVE, HYD CONTROL 5 SPOOL	1	C
Comments for Part Num. 5400750 REPLACEMENT COIL # 5000114REPLACEMENT ROTATION SECTION # 5005939REPLACEMENT HANDLE PRIOR TO 2011 #5000160 REPLACEMENT HANDLE BASE AFTER 2011 # 5401951 (INTERNAL SET SCREW RETAINING TYPE)PVG120 CONTROL ACTIVATION REPAIR KIT # 3548425SPOOL CONTROL PIN # 5405368SEAL KIT, PVG120 (FOR REPAIR OF BASIC ONE SPOOL VALVE) # 5406029 (ORDER SOLENOID SEAL KIT SEPARATELY)SEAL KIT, SOLENOID # 563779MAIN RELIEF # 563705				
2	37839	ADAP, HYD STR 12JIC 16ORB	4	F
3	37000	ADAP, HYD 90 DEG 8 JIC 8 ORB	1	F
4	33214	ADAP, HYD 90 4JIC 4JIC-F	1	F
5	33794	TEE, 1-1/16 JIC M-FS-M	2	F
6	36452	ADAP, HYD STR 12JIC-F 8JIC	2	F
7	39690	ADAP, HYD 90 8JIC 8JIC-F	2	F
8	37015	ADAP, HYD 90 4JIC 4ORB	1	F
9	25470	ADAP, HYD STR 16JIC 16ORB	6	F
10	33108	ADAP, HYD STR 20 JIC x 20 ORB	2	F
11	3549285	ADAP, HYD STR 4 JIC x 5 ORB	1	F
12	5000497	ADAP, HYD STR 8 JIC (F) - 12 JIC	1	F



5001470 CONSOLE ASM, UPPER

5001470 CONSOLE ASM, UPPER



LF230 2007-193 Thru Current

Copyright © 2019 Boat Longyear. All rights reserved.

Boat Longyear is constantly striving to improve its products and must therefore, reserve the right to change designs, materials, specifications and price without notice.



Item	Part No.	Name	Qty	Service
1	3549222	WELDMNT, UPPER CONSOLE	1	D
2	5400438	DISPLAY, ENGINE MONITOR	1	C
Comments for Part Num. 5400438				
ORDER MONITOR # 5405236 IF RUSSIAN LANGUAGE IS REQUIRED				
3	3549103	INDICATOR LED, RED	1	C
4	3549118	INDICATOR LED, YELLOW	1	C
5	3549117	INDICATOR LED, BLUE	1	C
6	3549234	SWITCH, IGNITION	1	C
7	3548165	GAUGE ISOLATOR	1	B
8	3543400	MANIFOLD ASM, HOIST CONTROL	1	D
9	3548136	GAUGE, HYD PRESSURE 0-3000 PSI	2	A
10	3548533	GAUGE, PRESSURE 0-1500 psi	1	B
11	3548534	GAUGE, PRESSURE 0-5000 psi	1	B
12	3548540	CONTROL ASSEMBLY, WATER DIVERTER	1	C
13	3549489	SWITCH, SPDT MOMENTARY	1	C
14	3549488	SWITCH, SPST SPADE CONNECTOR	1	C
15	3549490	SWITCH, DPDT MOMENTARY	1	C
16	3549425	HORN	1	D
17	3549548	HARNESS, ELEC ENGINE CONTROL PANEL	1	C
18	3547340	LATCH, OPERATOR PANEL CAM	1	D
19	3547373	CONTROL, ELECTRONIC THROTTLE	1	B
20	3549485	SWITCH, SPST	1	C
21	44859	WASHER, FLAT 3/8 SAE G8	4	F
22	44520	L/WASHER, 3/8 SAE G8	4	F
23	3547792	C/SCR, BH 3/8-16 UNC x 1 Lg.	4	F
24	5001561	C/SCR, BH # 4-40 x 3/8"	4	F
25	5001562	NUT, HEX #4-40	4	F
26	5001555	C/SCR, PH M4 - .7 X 10 G8	4	F
27	46087	WASHER, FLAT 1/4 SAE G8	8	F
28	44518	L/WASHER, 1/4 SAE G8	6	F
29	44567	NUT, HEX 1/4 UNC G8	6	F
30	104477	C/SCR, SH 1/4-20 UNC x 1 1/4"	4	F

LF230 2007-193 Thru Current

Copyright © 2019 Boat Longyear. All rights reserved.

Boat Longyear is constantly striving to improve its products and must therefore, reserve the right to change designs, materials, specifications and price without notice.



5001470 CONSOLE ASM, UPPER

Item	Part No.	Name	Qty	Service
31	44771	WASHER, FLAT #10 SAE G8	6	F
32	44540	L/WASHER, #10 G2	6	F
33	3540822	L/NUT, NYLOK #10 UNC G5	6	F
34	44727	C/SCR, HH #10-24 X 3/4" LG	6	F
35	44566	C/SCR, HH 1/4 UNC X 1 G8	2	F
36	5001560	C/SCR, FH SH # 6-32 UNC X 5/9 G8	6	F
37	5001563	L/NUT, NYLOK #6-32 UNC	6	F

Comments for Page: 5001470 CONSOLE ASM, UPPER

(#2 5400438)(#3 3549103)(#4 3549118)(#5 3549117)(#6 3549234)(#7 3548165)(#9 3548136)(#10 3548533)(#11 3548534)(#13 3549489)(#14 3549488)(#15 3549490)(#19 3547373)(#20 3549485)INCLUDED IN SPARES KIT 5401633

LF230 2007-193 Thru Current

Copyright © 2019 Boart Longyear. All rights reserved.

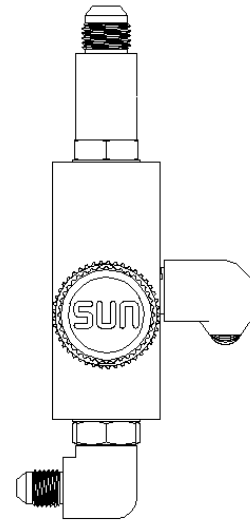
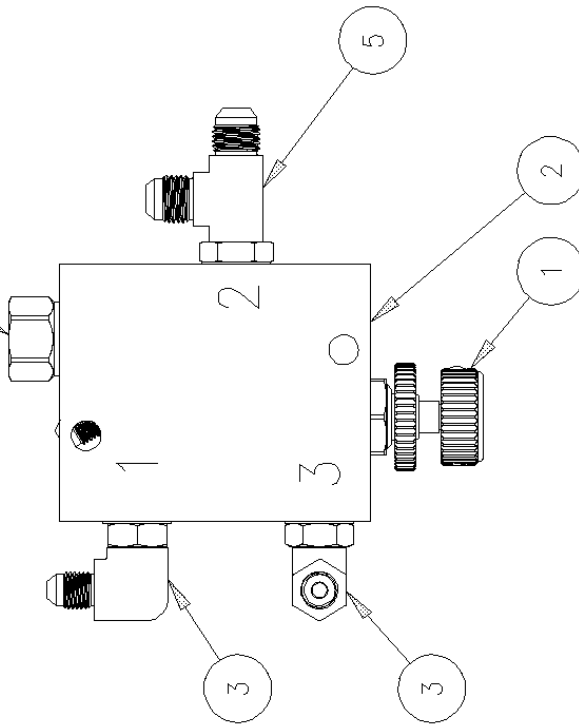
Boart Longyear is constantly striving to improve its products and must therefore, reserve the right to change designs, materials, specifications and price without notice.



3543400 MANIFOLD ASM, HOIST CONTROL

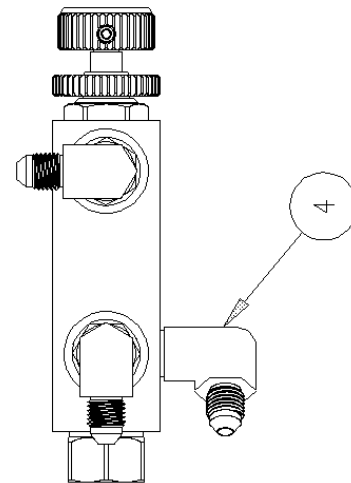
3543400 MANIFOLD ASM, HOIST CONTROL

NOTE: FREE FLOW CHECK
c/w MANIFOLD BODY (ITEM 2)



- PORT #1 - REDUCED PRESSURE
- PORT #2 - INLET PRESSURE
- PORT #3 - TANK

TORQUE ALL CARTIDGES
TO 30-35 ftlbs.



LF230 2007-193 Thru Current

Copyright © 2019 Boart Longyear. All rights reserved.

Boart Longyear is constantly striving to improve its products and must therefore, reserve the right to change designs, materials, specifications and price without notice.



3543400 MANIFOLD ASM, HOIST CONTROL

Item	Part No.	Name	Qty	Service
1	3543401	VALVE, PRESS REDUCING	1	B
2	3543402	MANIFOLD, HOIST CABLE TENSION	1	D
3	40237	ADAP, HYD 90 4JIC 6ORB	2	F
4	28917	ADAP, HYD 90 4JIC 4NPTF	1	F
5	36996	ADAP, HYD TEE 6JIC 6ORB	1	F

Comments for Page: 3543400 MANIFOLD ASM, HOIST CONTROL

(#1 3543401)INCLUDED IN HYD MANIFOLD SPARES KIT # 3547262

LF230 2007-193 Thru Current

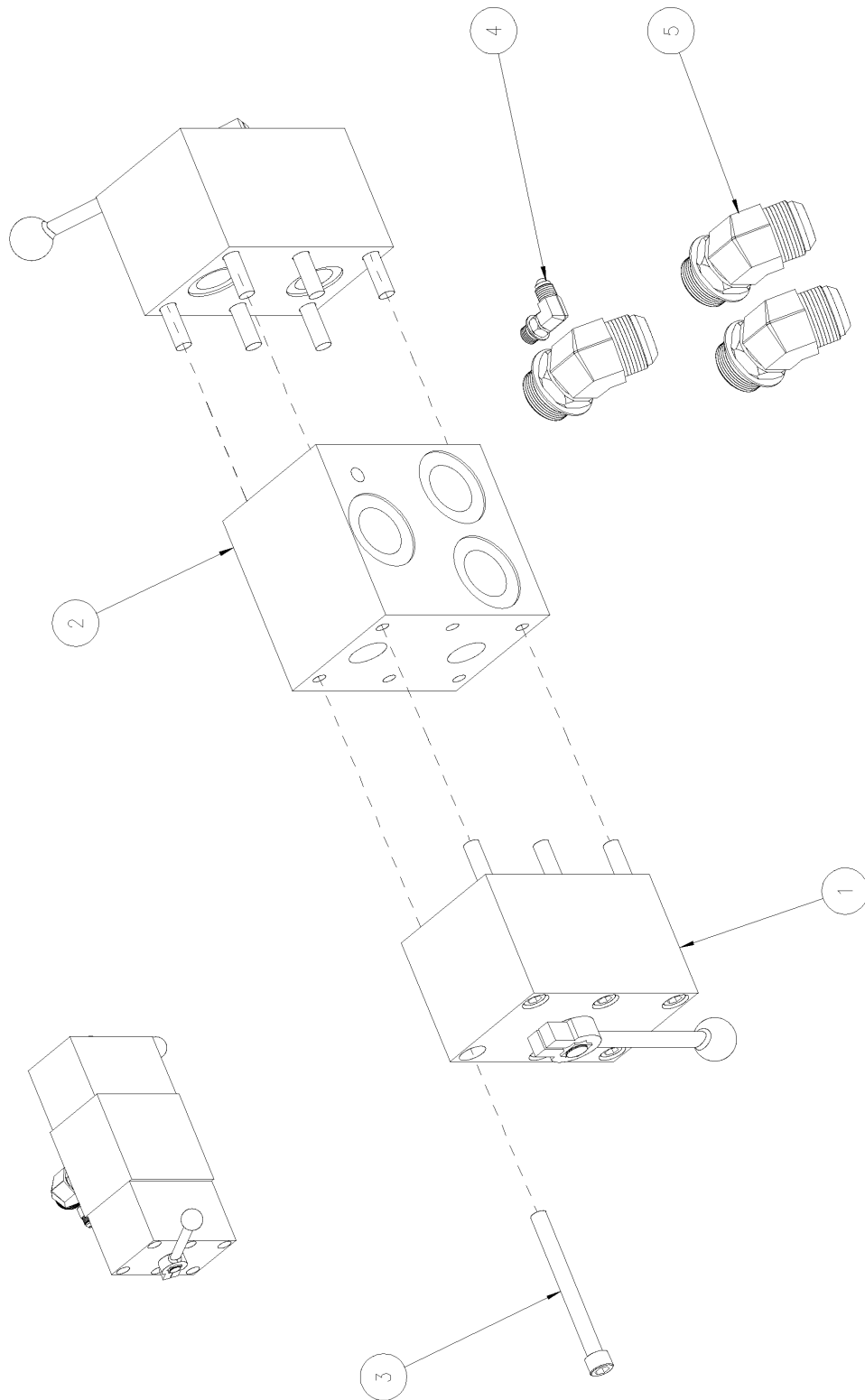
Copyright © 2019 Boart Longyear. All rights reserved.

Boart Longyear is constantly striving to improve its products and must therefore, reserve the right to change designs, materials, specifications and price without notice.



3548540 CONTROL ASSEMBLY, WATER DIVERTER

3548540 CONTROL ASSEMBLY, WATER DIVERTER



LF230 2007-193 Thru Current

Copyright © 2019 Boart Longyear. All rights reserved.

Boart Longyear is constantly striving to improve its products and must therefore, reserve the right to change designs, materials, specifications and price without notice.



3548540 CONTROL ASSEMBLY, WATER DIVERTER

Item	Part No.	Name	Qty	Service
1	3548541	VALVE, WATER DIVERTER	2	B
Comments for Part Num. 3548541				
REPLACEMENT HANDLE # 5404909				
2	3548542	MANIFOLD, WATER DIVERTER	1	D
3	3548556	C/SCR, SH 3/8-16 UNC x 3 3/4 Lg.	12	F
4	37015	ADAP, HYD 90 4JIC 4ORB	1	F
5	36431	ADAP, HYD 45 16JIC 16ORB	3	F

Comments for Page: 3548540 CONTROL ASSEMBLY, WATER DIVERTER

(#1 3548541)REPAIR KIT 5400611

LF230 2007-193 Thru Current

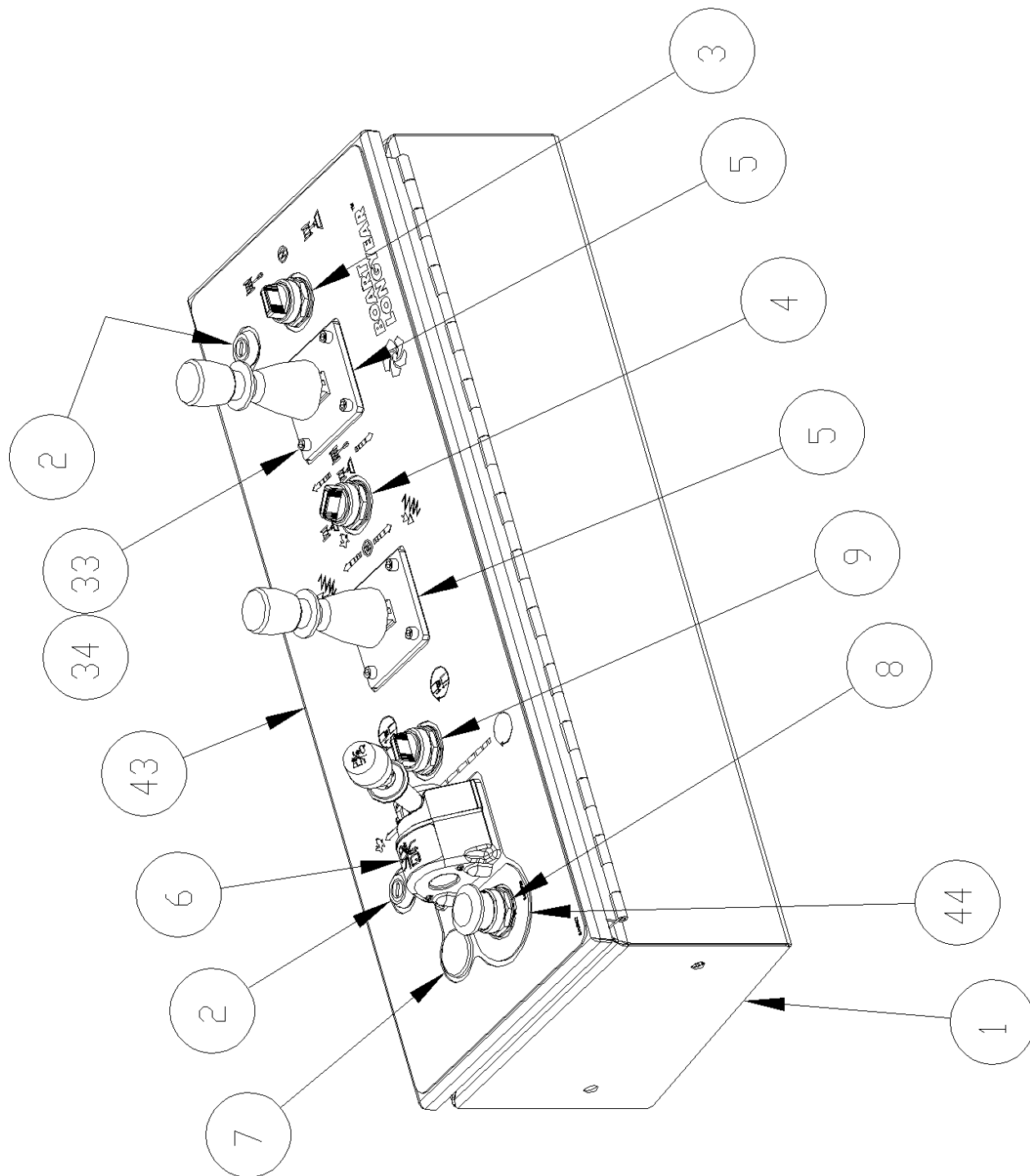
Copyright © 2019 Boart Longyear. All rights reserved.

Boart Longyear is constantly striving to improve its products and must therefore, reserve the right to change designs, materials, specifications and price without notice.



3549455 CONTROL PANEL ASSEMBLY (OCP)

3549455 CONTROL PANEL ASSEMBLY (OCP)



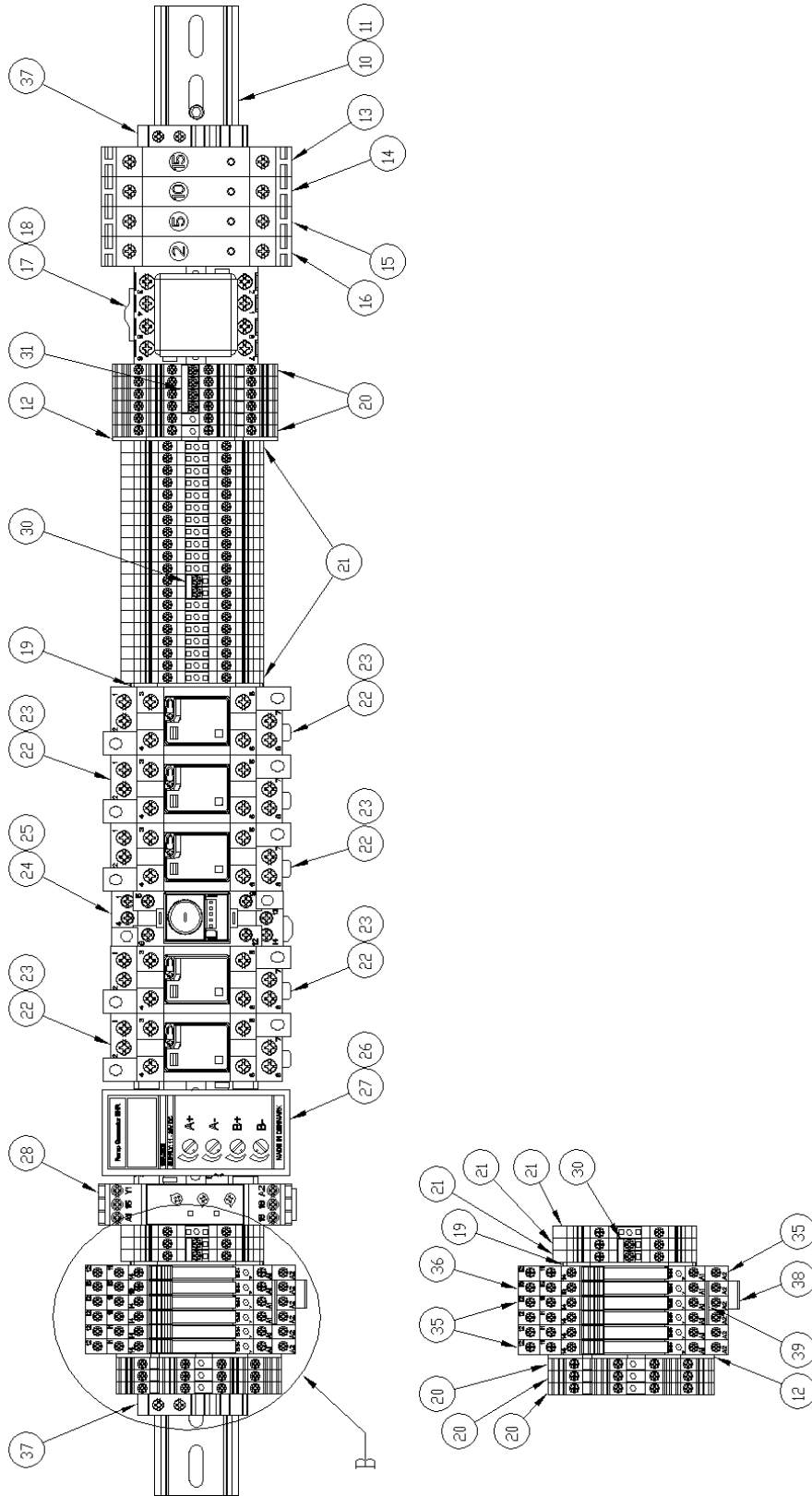
LF230 2007-193 Thru Current

Copyright © 2019 Boat Longyear. All rights reserved.

Boat Longyear is constantly striving to improve its products and must therefore, reserve the right to change designs, materials, specifications and price without notice.



3549455 CONTROL PANEL ASSEMBLY (OCP)



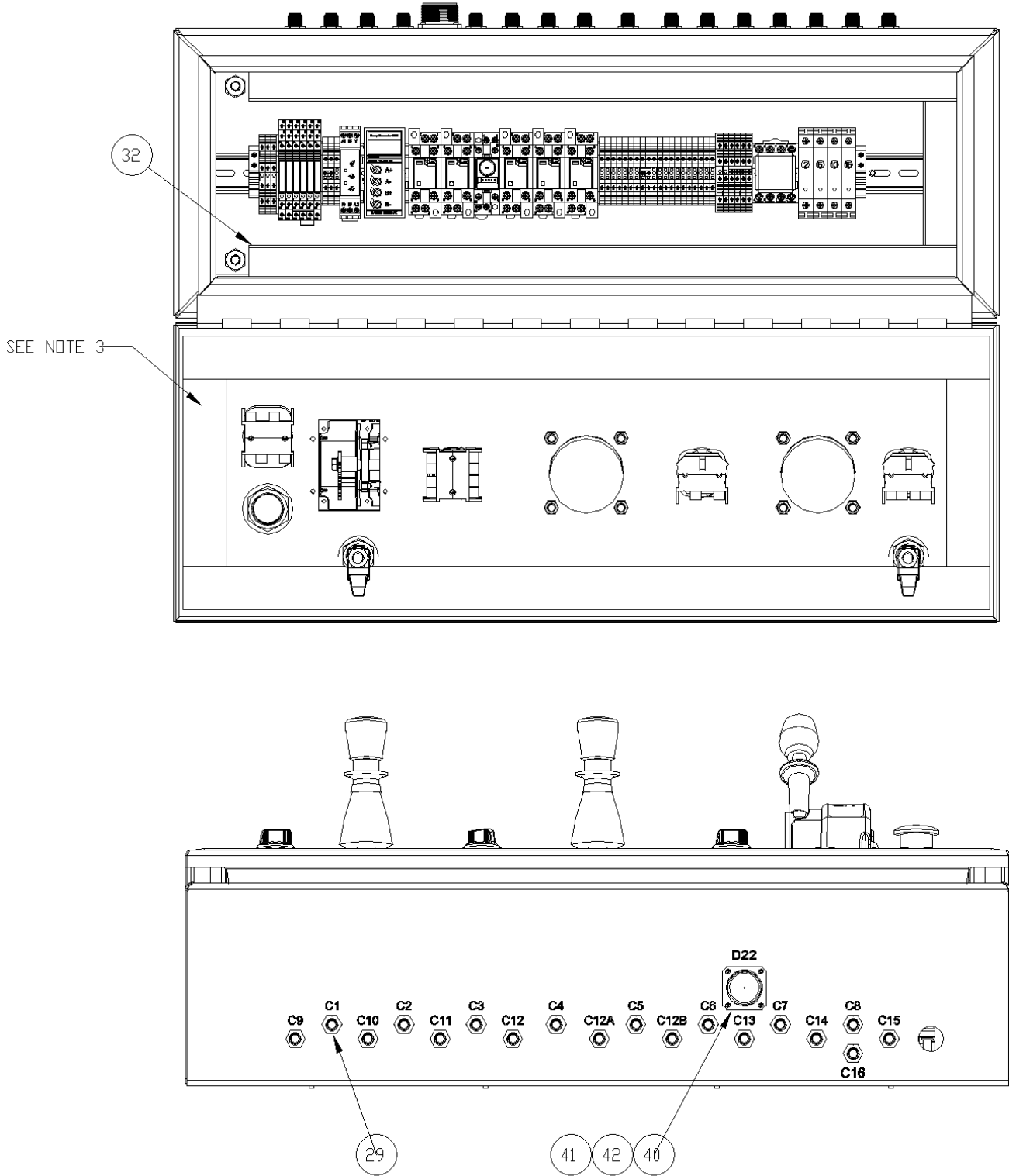
LF230 2007-193 Thru Current

Copyright © 2019 Boart Longyear. All rights reserved.

Boart Longyear is constantly striving to improve its products and must therefore, reserve the right to change designs, materials, specifications and price without notice.



3549455 CONTROL PANEL ASSEMBLY (OCP)



LF230 2007-193 Thru Current

Copyright © 2019 Boart Longyear. All rights reserved.

Boart Longyear is constantly striving to improve its products and must therefore, reserve the right to change designs, materials, specifications and price without notice.



Item	Part No.	Name	Qty	Service
1	3549278	HOUSING, OPERATOR PANEL	1	D
2	3547340	LATCH, OPERATOR PANEL CAM	2	D
3	3542112	SWITCH, SELECTOR 3-POSITION	1	B
4	3540067	SWITCH SELECTOR, 2 POSITION	1	B
5	3549293	JOYSTICK, DANFOSS SAFETY	2	B
6	3549307	JOYSTICK, ROTATION PQ SAFETY	1	B
8	3547298	BUTTON, EMERGENCY STOP	1	B
9	3549308	SWITCH ASM, 3 POSITION	1	B
11	5003501	C/SCR, SH SS 8-32 UNC X 1/2	4	F
13	3547303	BREAKER, 15 AMP	1	A
14	3541330	BREAKER, 10 AMP (MCB)	1	A
15	3541331	BREAKER, 5 AMP	1	B
16	3547302	BREAKER, 2 AMP	1	B
17	3549446	BASE, 8 PIN RELAY	1	D
18	3549445	CUBE, MAKE/BREAK CIRCUIT	1	A
20	3549448	TERMINAL BLOCK, 4 CIRCUIT	9	D
21	3549447	TERMINAL BLOCK, 2 CIRCUIT	23	D
22	3548410	BASE, 8 PIN RELAY	1	C
23	3548327	RELAY, 12VDC	1	A
24	3547920	BASE, 8 PIN RELAY	1	C
25	3547921	RELAY, TIMER	1	B
26	3070514	BASE, 11 PIN RELAY	1	C
27	3070513	RAMP MODULE WIRELINE	1	B
28	3070515	RELAY, TIMER, OFF DELAY	1	B
29	3549481	CONNECTOR, PANEL 4 PIN TURCK	18	C
30	5003474	JUMPER, 2 POLE	2	D
31	5003475	JUMPER, 4 POLE	1	D
35	5003569	RELAY, 12VDC DIN MOUNTED	5	C
36	5004309	RELAY, 12/24 V TIMED	1	B
40	5404714	CONNECTOR, PANEL MOUNT 14 PIN	1	D
43	5405627	DECAL, LF230 CONTROL	1	D
44	5402676	DECAL, CONTROL PANEL ESTOP	1	D

LF230 2007-193 Thru Current

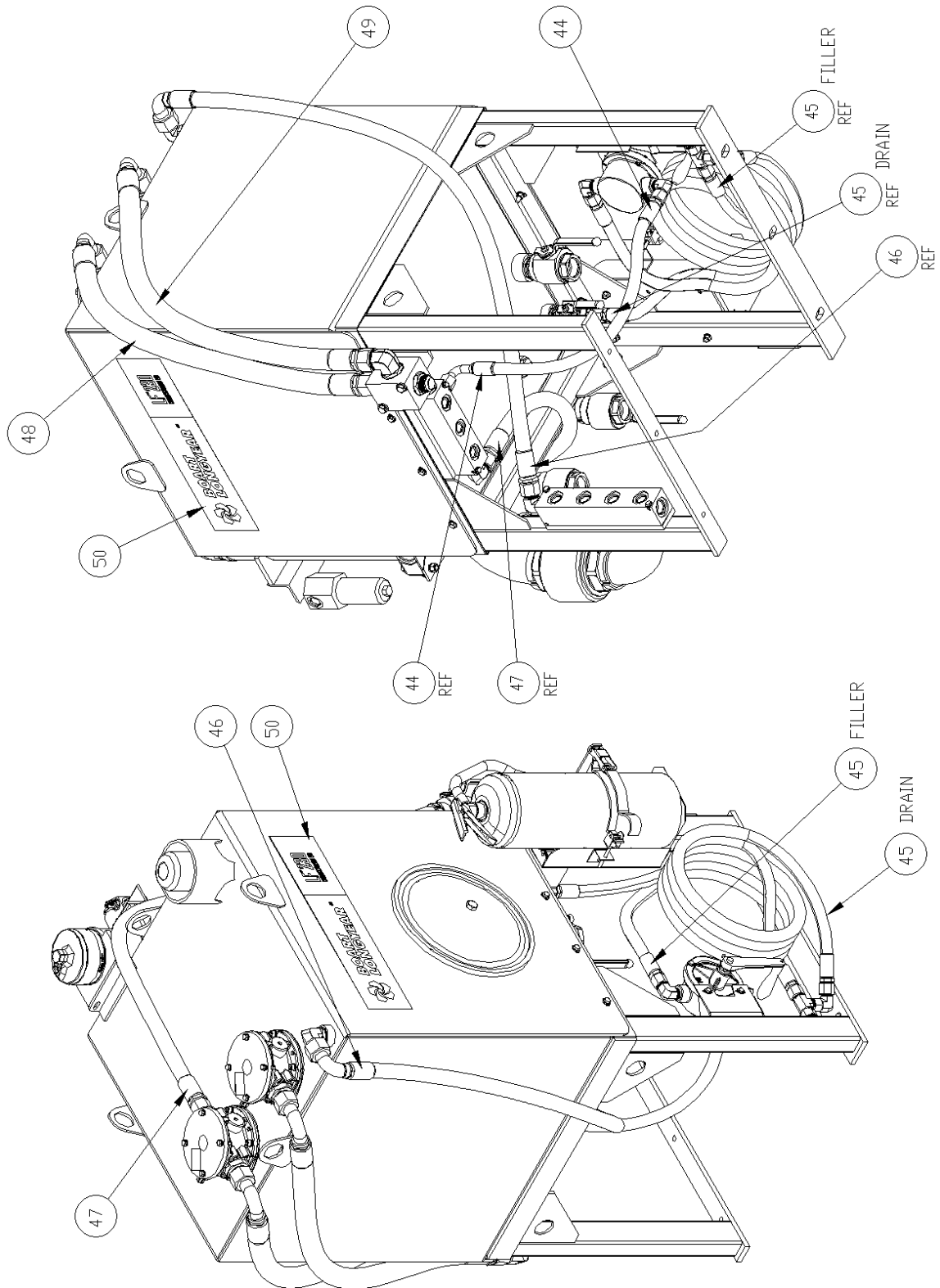
Copyright © 2019 Boart Longyear. All rights reserved.

Boart Longyear is constantly striving to improve its products and must therefore, reserve the right to change designs, materials, specifications and price without notice.



3549284 HYDRAULIC RESERVOIR ASM S/N 2008-15 AND UP

3549284 HYDRAULIC RESERVOIR ASM S/N 2008-15 AND UP



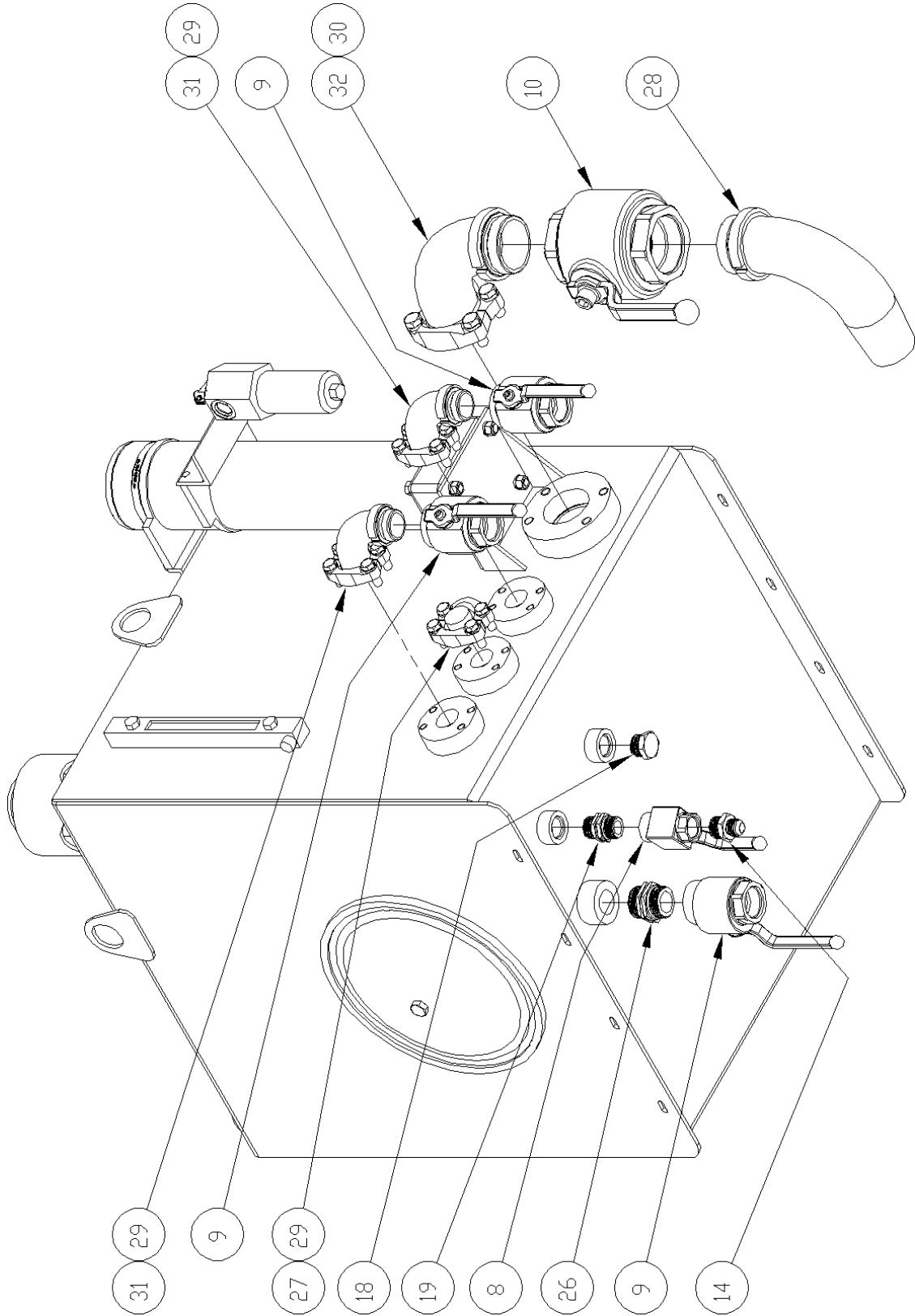
LF230 2007-193 Thru Current

Copyright © 2019 Boat Longyear. All rights reserved.

Boat Longyear is constantly striving to improve its products and must therefore, reserve the right to change designs, materials, specifications and price without notice.



3549284 HYDRAULIC RESERVOIR ASM S/N 2008-15 AND UP



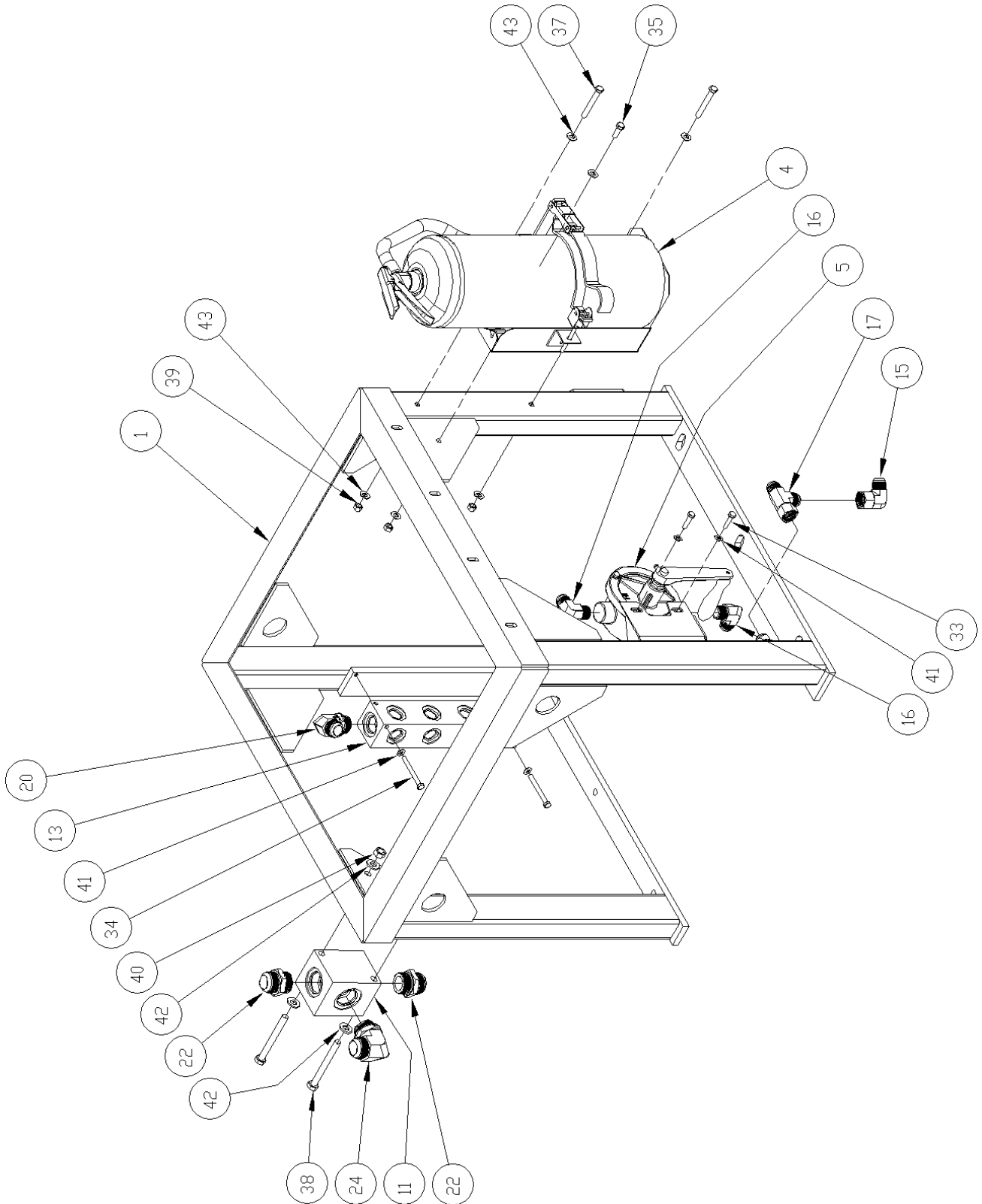
LF230 2007-193 Thru Current

Copyright © 2019 Boart Longyear. All rights reserved.

Boart Longyear is constantly striving to improve its products and must therefore, reserve the right to change designs, materials, specifications and price without notice.



3549284 HYDRAULIC RESERVOIR ASM S/N 2008-15 AND UP



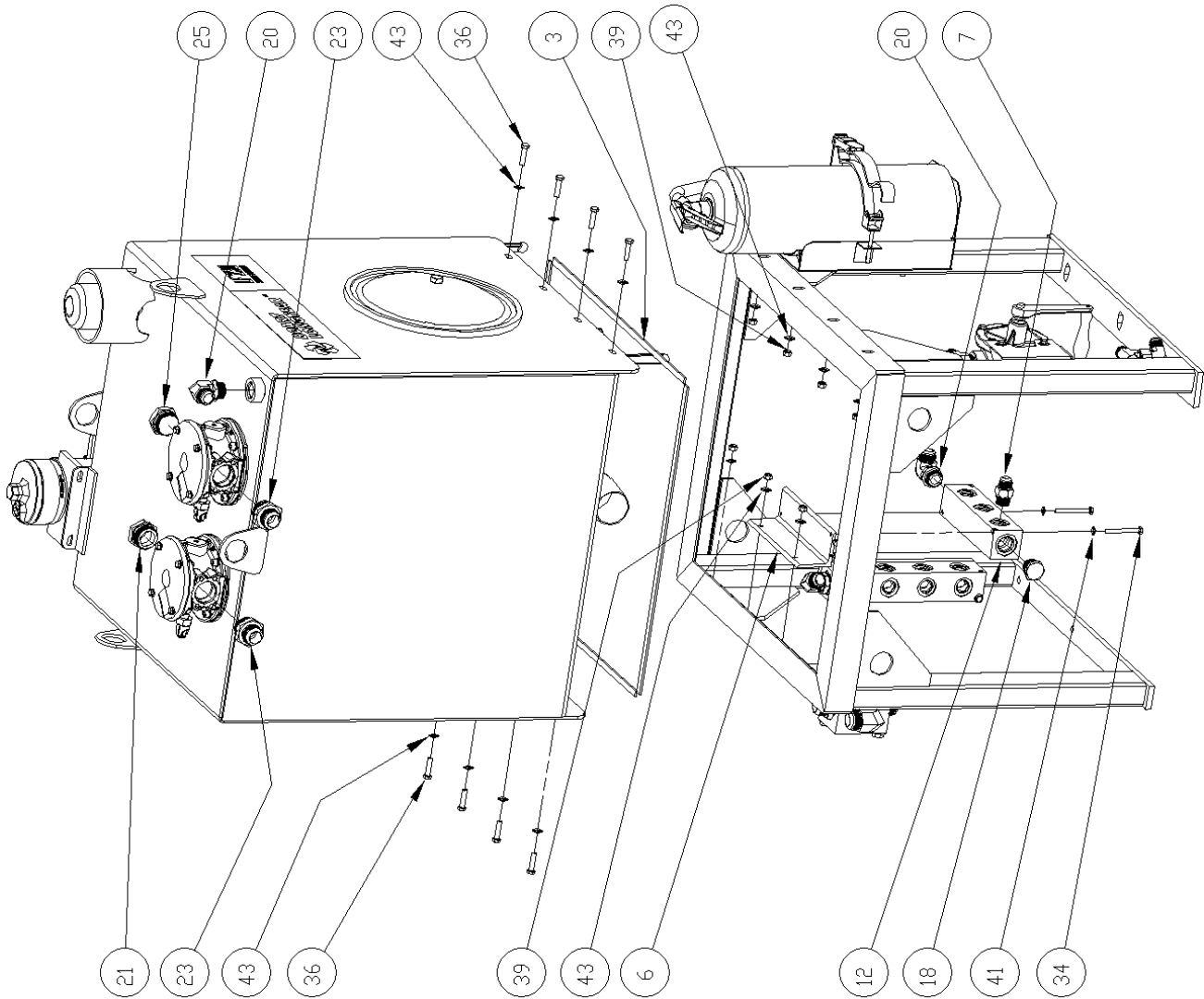
LF230 2007-193 Thru Current

Copyright © 2019 Boat Longyear. All rights reserved.

Boat Longyear is constantly striving to improve its products and must therefore, reserve the right to change designs, materials, specifications and price without notice.



3549284 HYDRAULIC RESERVOIR ASM S/N 2008-15 AND UP



LF230 2007-193 Thru Current

Copyright © 2019 Boart Longyear. All rights reserved.

Boart Longyear is constantly striving to improve its products and must therefore, reserve the right to change designs, materials, specifications and price without notice.



Item	Part No.	Name	Qty	Service
1	3546919	WLDMT, OIL RESERVOIR STAND	1	D
2	3549252	RESERVOIR ASM, 110 US GAL LF230	1	D
3	3541317	RUBBER	4	D
4	3548100	EXTINGUISHER GROUP, 20LB	1	D
5	60058	PUMP, ROTARY HAND	1	C
6	3546951	MOUNT, 3 PORT HEADER MANIFOLD	1	D
7	5404793	VALVE, HYD CHECK 1 PSI	1	D
8	3546945	VALVE, BALL 1" ORB	1	D
9	3546944	BALL VALVE, 1.5"	3	
10	3546943	VALVE, BALL 3" DIA ORB	1	D
11	5405637	MANIFOLD, 1 PORT HEADER	1	D
12	3544318	MANIFOLD, HEADER 3 STATION 90Deg	1	D
13	3546950	MANIFOLD, HEADER 4 STATION 90Deg	1	D
28	3546940	BARB TO THREAD, 3" x 90Deg	1	F
29	3549304	SPLIT FLANGE KIT, 1-1/2"	3	F
30	3540722	SPLIT FLANGE KIT, 3"	1	F
31	3546939	SPLIT TO THREAD, 1.5" x 90Deg	2	F
32	3546937	SPLIT TO THREAD, 3" x 90Deg	1	F
33	44557	C/SCR, HH 5/16 UNC X 1-1/4 G8	2	F
34	102525	C/SCR, HH 5/16 UNC X 3 G8	4	F
35	44512	C/SCR, HH 3/8 UNC X 1 G8	1	F
36	44536	C/SCR, HH 3/8 UNC X 1-1/2 G8	8	F
37	44638	C/SCR, HH 3/8 UNC X 2-3/4 G8	2	F
38	46124	C/SCR, HH 1/2-13 UNC x 4-1/2 - [L.C. #90214-340]	2	F
39	44527	NUT, HEX 3/8 UNC G8	11	F
40	44525	NUT, HEX 1/2 UNC G8	2	F
41	46510	WASHER, FLAT 5/16 SAE G8	6	F
42	44621	WASHER, FLAT 1/2 SAE G8	4	F
43	44859	WASHER, FLAT 3/8 SAE G8	22	F
50	3546918	DECAL, LF230 TANK/FUEL VINYL	2	D

LF230 2007-193 Thru Current

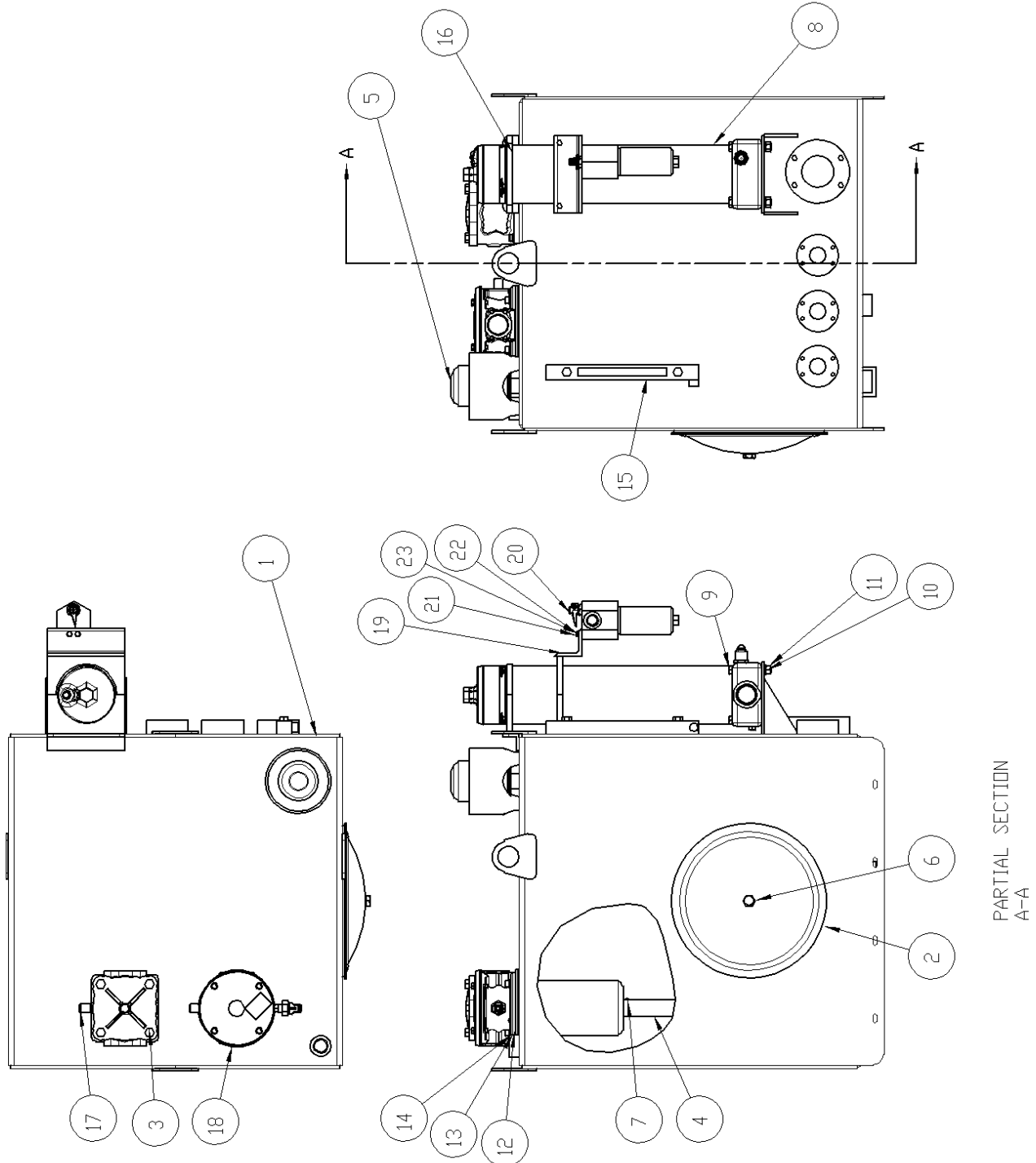
Copyright © 2019 Boart Longyear. All rights reserved.

Boart Longyear is constantly striving to improve its products and must therefore, reserve the right to change designs, materials, specifications and price without notice.



3549252 RESERVOIR ASM, 110 US GAL LF230

3549284 HYDRAULIC RESERVOIR ASM S/N 2008-15 AND UP



LF230 2007-193 Thru Current

Copyright © 2019 Boat Longyear. All rights reserved.

Boat Longyear is constantly striving to improve its products and must therefore, reserve the right to change designs, materials, specifications and price without notice.



Item	Part No.	Name	Qty	Service
1	3549251	WELDMNT, HYD RESERVOIR	1	D
2	104245	COVER, RESERVOIR END	1	D
Comments for Part Num. 104245 COVER SEAL # 96839 SEALING WASHER (CRUSH TYPE) # 180146				
3	3547602	FILTER, RETURN ASM	1	
Comments for Part Num. 3547602 REPLACEMENT ELEMENT # 100236 REPLACEMENT CLOG INDICATOR # 3549185 SEAL KIT # 5405752 (INCLUDES TANK MOUNTING GASKET)				
4	3549287	HOSE, RETURN FILTER	1	
5	3547605	FILTER ASM, BREATHER	1	C
Comments for Part Num. 3547605 SPIN ON FILTER ELEMENT # 100190				
6	47843	C/SCR HH 5/8-11NC x 3-1/4 LG	1	F
7	26046	P-CLAMP, HOSE SUPPORT	1	D
8	104847	FILTER ASM, HIGH PRESSURE	1	C
Comments for Part Num. 104847 REPLACEMENT ELEMENT # 100236 SEAL KIT # 5405895				
9	44560	C/SCR, HH 1/2 UNC X 3-1/2 G8	4	F
10	44521	L/WASHER, 1/2 SAE G8	4	F
11	44525	NUT, HEX 1/2 UNC G8	4	F
12	46749	C/SCR, SH 3/8 UNC X 1-1/2 G8	8	F
13	3547603	WASHER, SEALING	8	F
14	44520	L/WASHER, 3/8 SAE G8	8	F
15	3548020	GAUGE, FLUID LEVEL	1	B
Comments for Part Num. 3548020 REPLACEMENT TEMP SWITCH # 5405604				
16	3546936	FLAT BAND U-BOLT CLAMP	2	F

LF230 2007-193 Thru Current

Copyright © 2019 Boart Longyear. All rights reserved.

Boart Longyear is constantly striving to improve its products and must therefore, reserve the right to change designs, materials, specifications and price without notice.



Item	Part No.	Name	Qty	Service
17	3549185	INDICATOR, DIRTY FILTER	2	C
18	5000314	RETURN FILTER ASM, 18"	1	D
Comments for Part Num. 5000314 REPLACEMENT RETURN FILTER ELEMENT (2 REQUIRED) P/N 100236 SEAL KIT # 5405896				
19	3541651	BRACKET, FILTER	1	D
20	3542296	FILTER ASM, PRESSURE 25 MICRON	1	C
Comments for Part Num. 3542296 REPLACEMENT ELEMENT # 3542297 DIRTY FILTER INDICATOR # 5007295				
21	44631	C/SCR, HH 1/4 UNC X 3/4	2	F
22	44518	L/WASHER, 1/4 SAE G8	2	F
23	46087	WASHER, FLAT 1/4 SAE G8	2	F

LF230 2007-193 Thru Current

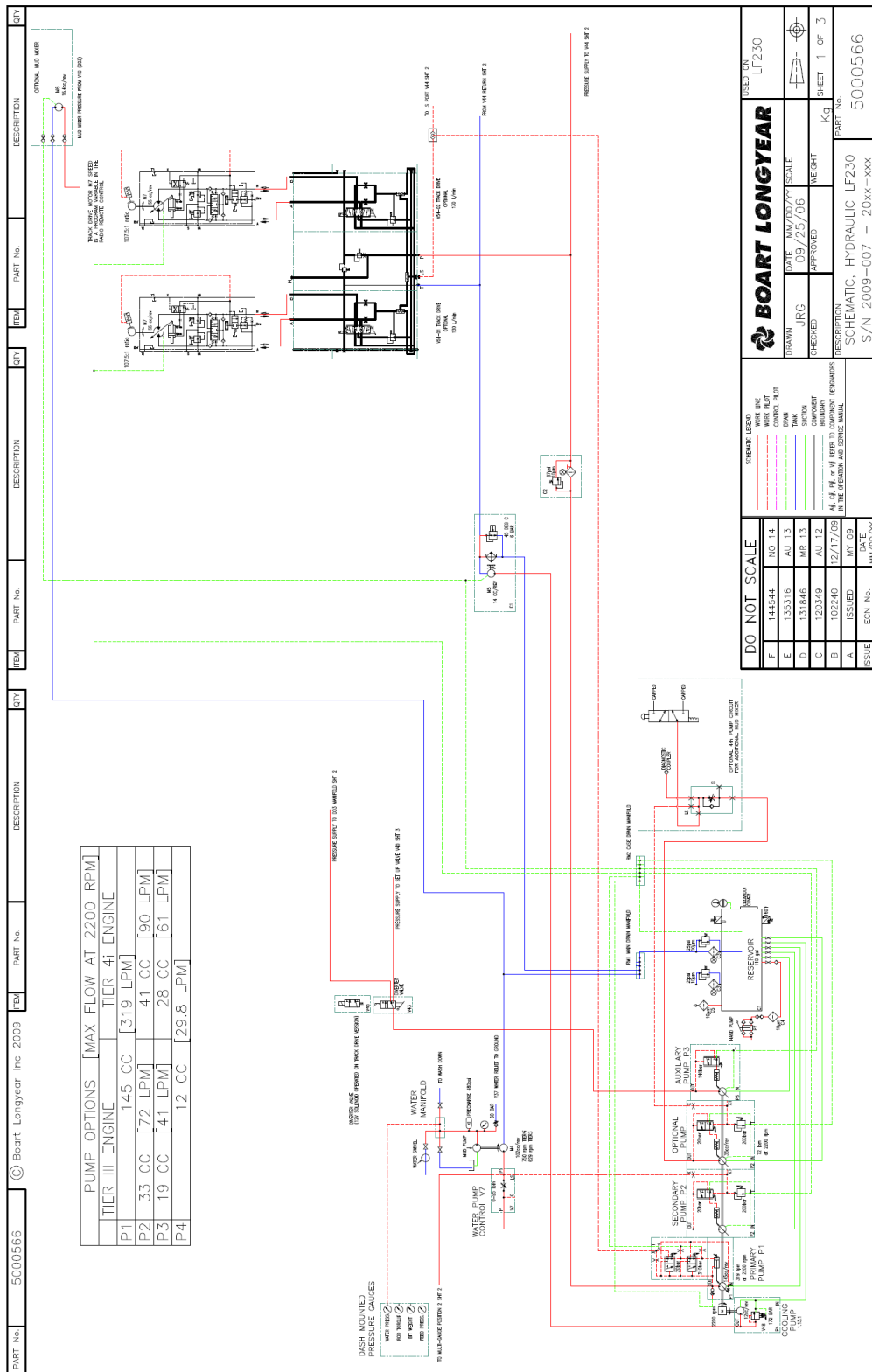
Copyright © 2019 Boart Longyear. All rights reserved.

Boart Longyear is constantly striving to improve its products and must therefore, reserve the right to change designs, materials, specifications and price without notice.



5000566_F HYDRAULIC SCHEMATIC, LF230 S/N 2009-007 THRU PRESENT

5000566 HYDRAULIC SCHEMATIC - SN 2009-007 THRU PRESENT



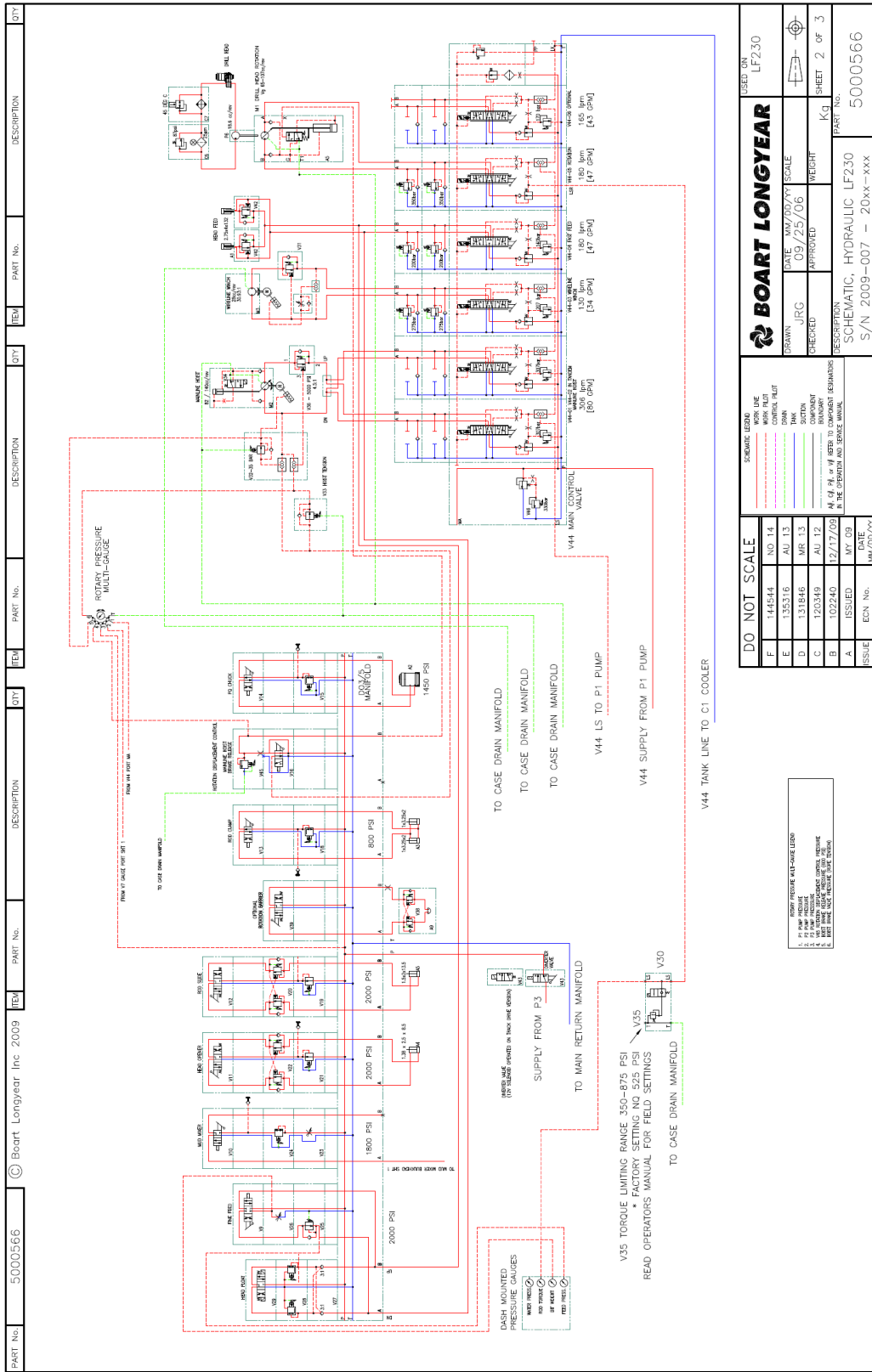
LF230 2007-193 Thru Current

Copyright © 2019 Boart Longyear. All rights reserved.

Boart Longyear is constantly striving to improve its products and must therefore, reserve the right to change designs, materials, specifications and price without notice.



5000566_F HYDRAULIC SCHEMATIC, LF230 S/N 2009-007 THRU PRESENT



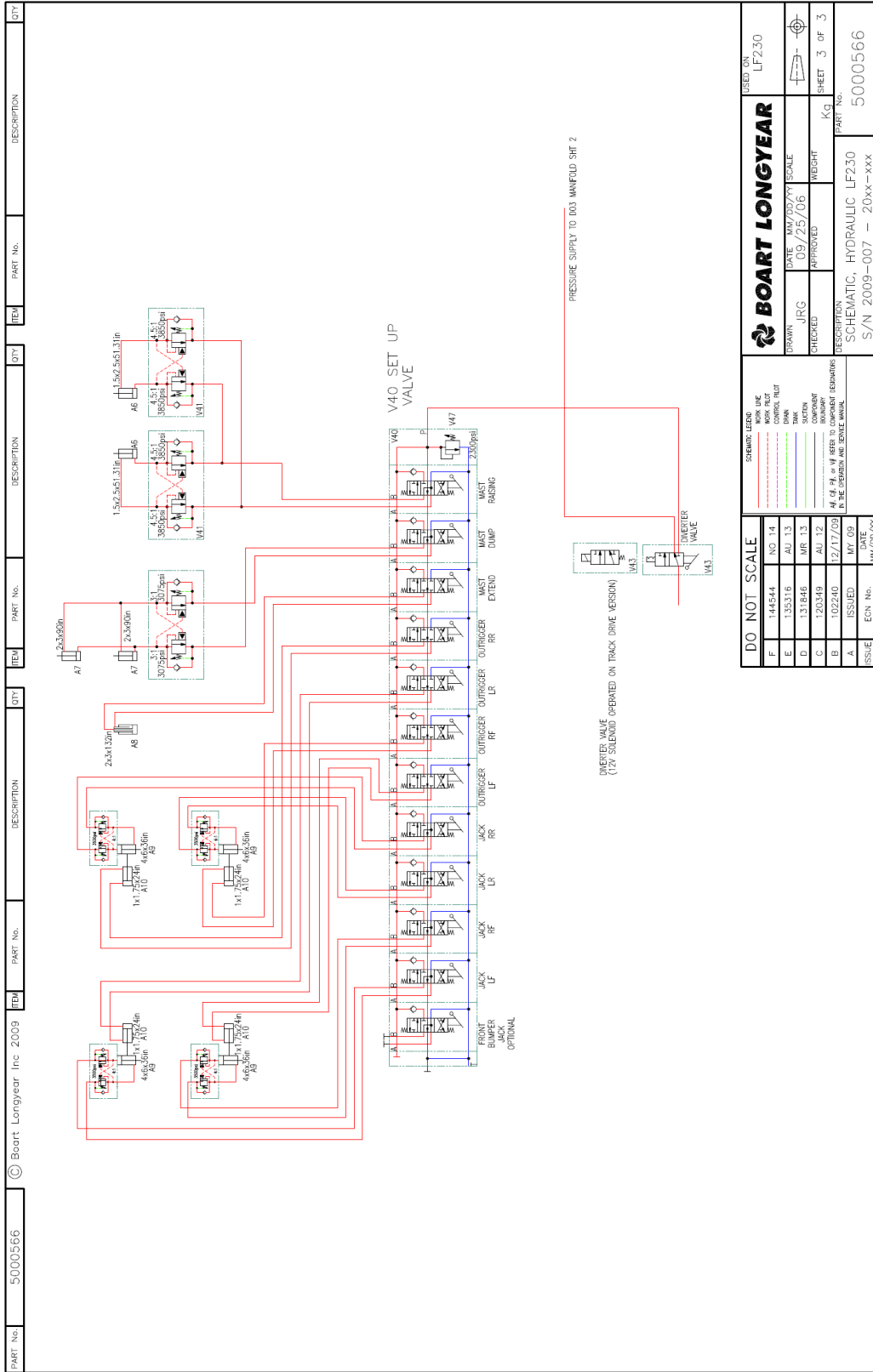
LF230 2007-193 Thru Current

Copyright © 2019 Boart Longyear. All rights reserved.

Boart Longyear is constantly striving to improve its products and must therefore, reserve the right to change designs, materials, specifications and price without notice.



5000566_F HYDRAULIC SCHEMATIC, LF230 S/N 2009-007 THRU PRESENT



LF230 2007-193 Thru Current

Copyright © 2019 Boart Longyear. All rights reserved.

Boart Longyear is constantly striving to improve its products and must therefore, reserve the right to change designs, materials, specifications and price without notice.



Item	Part No.	Name	Qty	Service
Ref	5000566	HYDRAULIC SCHEMATIC, LF230 S/N 2009-007 THRU PRESENT		

LF230 2007-193 Thru Current

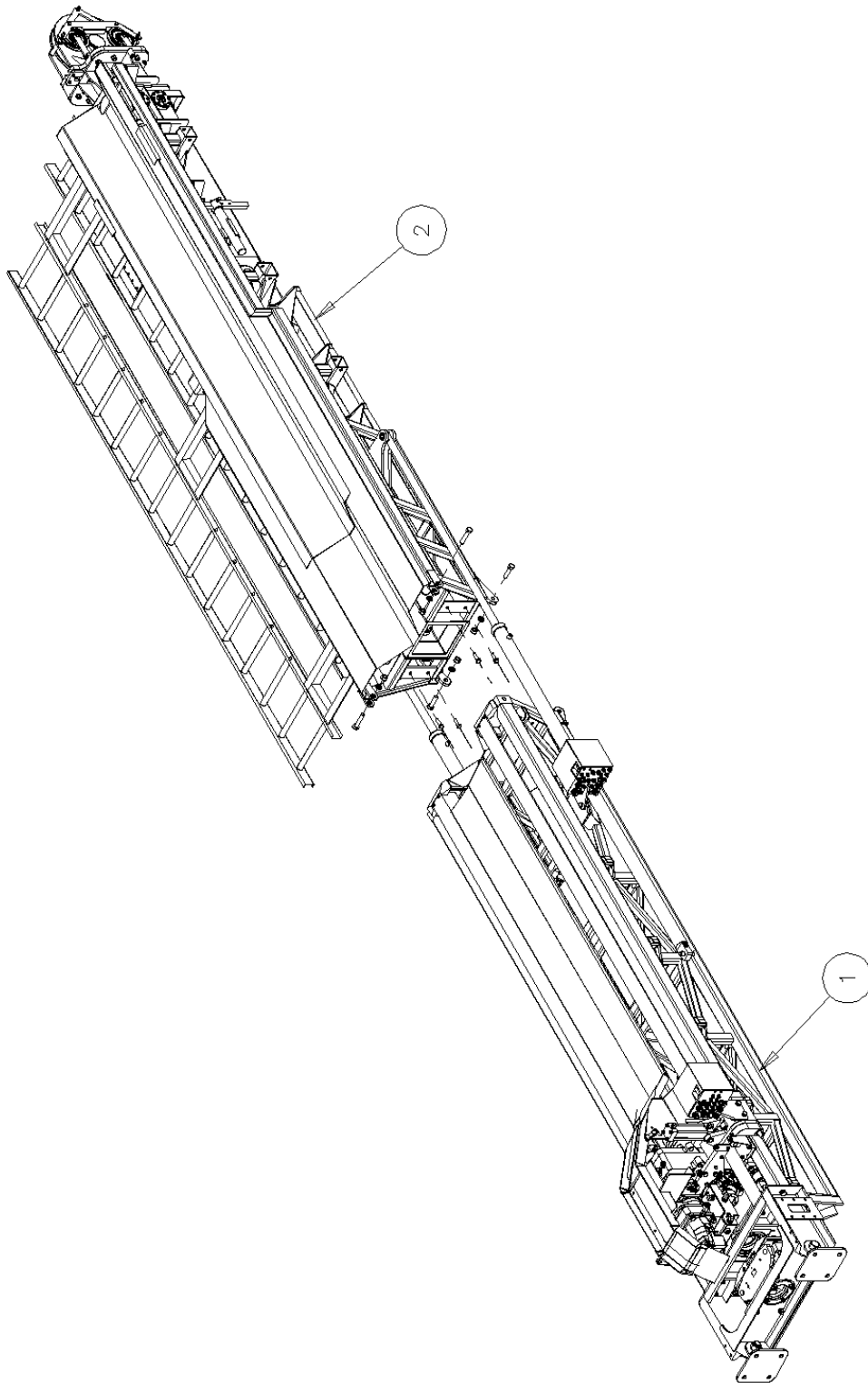
Copyright © 2019 Boart Longyear. All rights reserved.

Boart Longyear is constantly striving to improve its products and must therefore, reserve the right to change designs, materials, specifications and price without notice.



5003189 MAST ASM, LF230

5003189 MAST ASM, LF230



LF230 2007-193 Thru Current

Copyright © 2019 Boart Longyear. All rights reserved.

Boart Longyear is constantly striving to improve its products and must therefore, reserve the right to change designs, materials, specifications and price without notice.



Item	Part No.	Name	Qty	Service
Ref	3546719	MAST ASM, LF230	1	D
1	5003419	MAST ASM, LF230 LOWER	1	D
2	3546118	MAST ASM, LF230 UPPER	1	D

LF230 2007-193 Thru Current

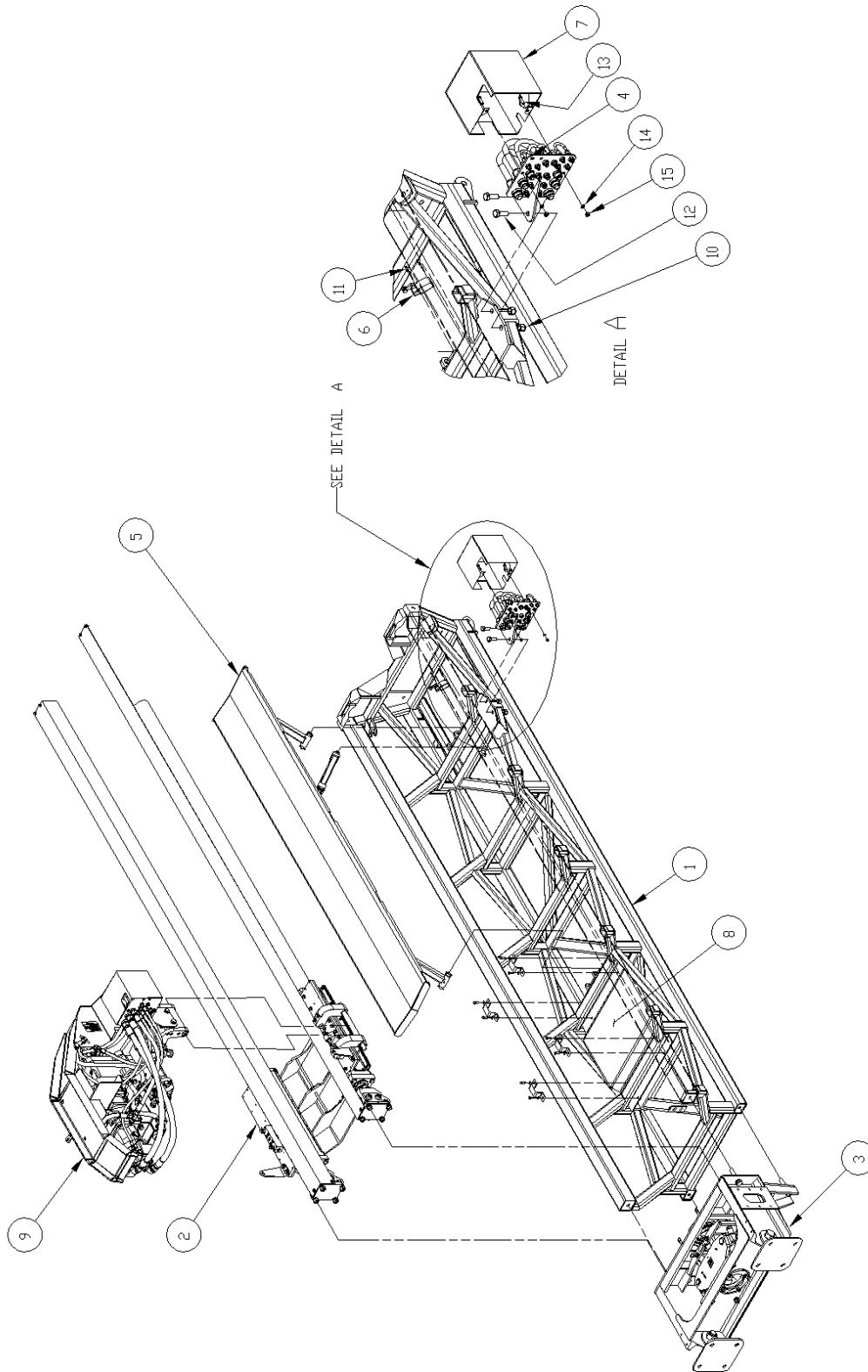
Copyright © 2019 Boart Longyear. All rights reserved.

Boart Longyear is constantly striving to improve its products and must therefore, reserve the right to change designs, materials, specifications and price without notice.



5003419 MAST ASM, LF230 LOWER

5003419 MAST ASM, LF230 LOWER



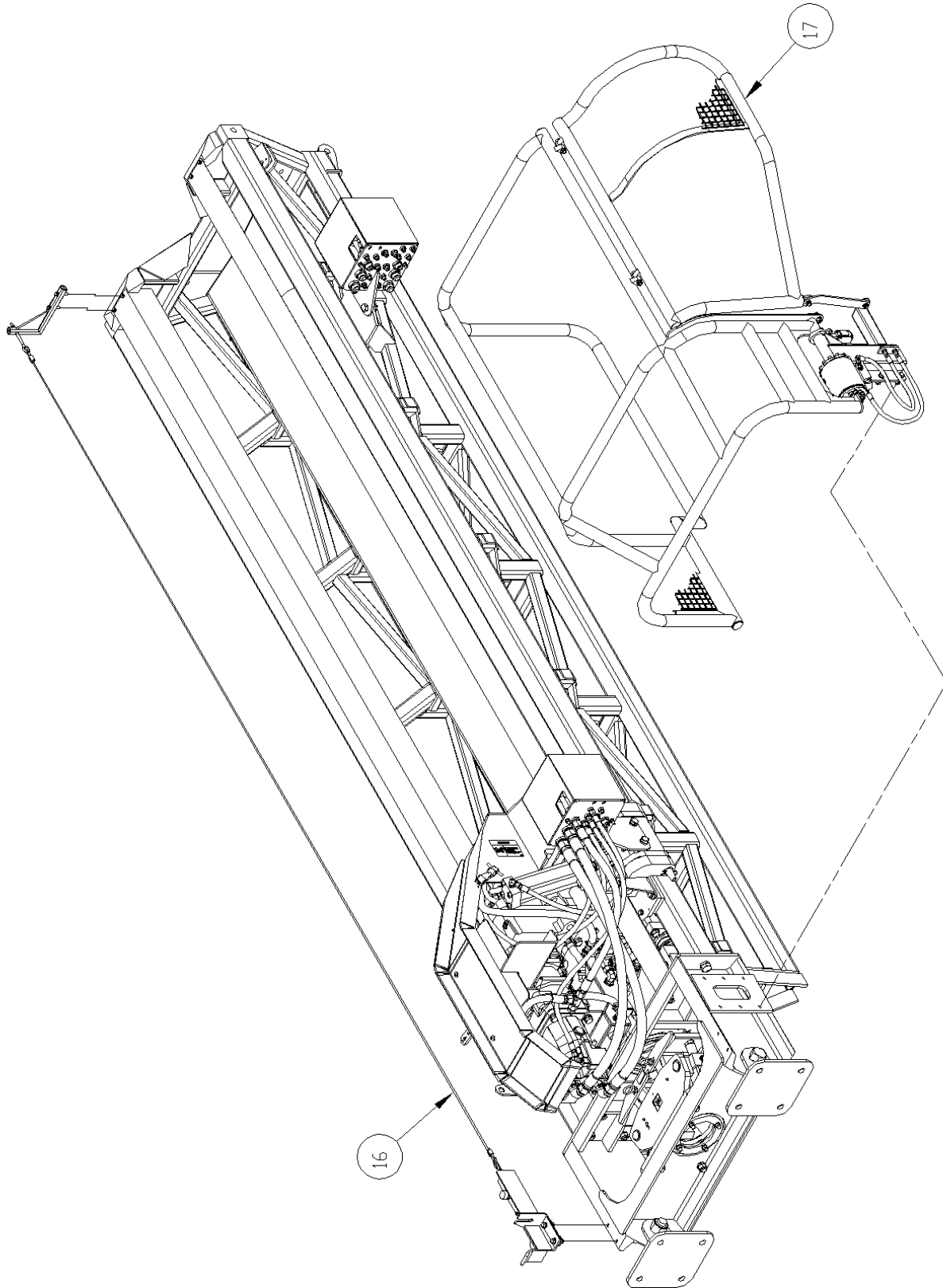
LF230 2007-193 Thru Current

Copyright © 2019 Boat Longyear. All rights reserved.

Boat Longyear is constantly striving to improve its products and must therefore, reserve the right to change designs, materials, specifications and price without notice.



5003419 MAST ASM, LF230 LOWER



LF230 2007-193 Thru Current

Copyright © 2019 Boart Longyear. All rights reserved.

Boart Longyear is constantly striving to improve its products and must therefore, reserve the right to change designs, materials, specifications and price without notice.



Item	Part No.	Name	Qty	Service
Ref	5003419	MAST ASM, LF230 LOWER	1	D
1	3546205	MAST, LF230 LOWER	1	D
2	3546603	SLIDE ASM, LF230 PQ HEAD	1	D
3	3546820	BASE ASM, ROD CLAMP & MAST LF230	1	D
4	3541161	HOSE HANGER, MAST SUB-ASM LF140/230	1	D
5	3546606	TRAY ASM, LF230 ROD SLIDE	1	D
6	3541214	SWITCH, LIMIT	1	B
7	3545102	GUARD, BULKHEAD HOSE	1	D
8	5404902	GUARD ASM	1	D
9	3546088	DRIVE MODULE, LF230 PQ	1	D
10	306283	L/NUT, 3/4 UNC NYLOCK G8	2	F
11	3540014	C/SCR, SH 10 UNC X 1 3/4 G8	4	F
12	44748	C/SCR, HH 3/4 UNC X 2 G8	2	F
13	44593	C/SCR, HH 3/8 UNC X 1-1/4 G8	2	F
14	44520	L/WASHER, 3/8 SAE G8	2	F
15	44527	NUT, HEX 3/8 UNC G8	2	F
16	5404298	ESTOP ASM	1	D
17	5404297	ROTATION BARRIER ASM	1	D

LF230 2007-193 Thru Current

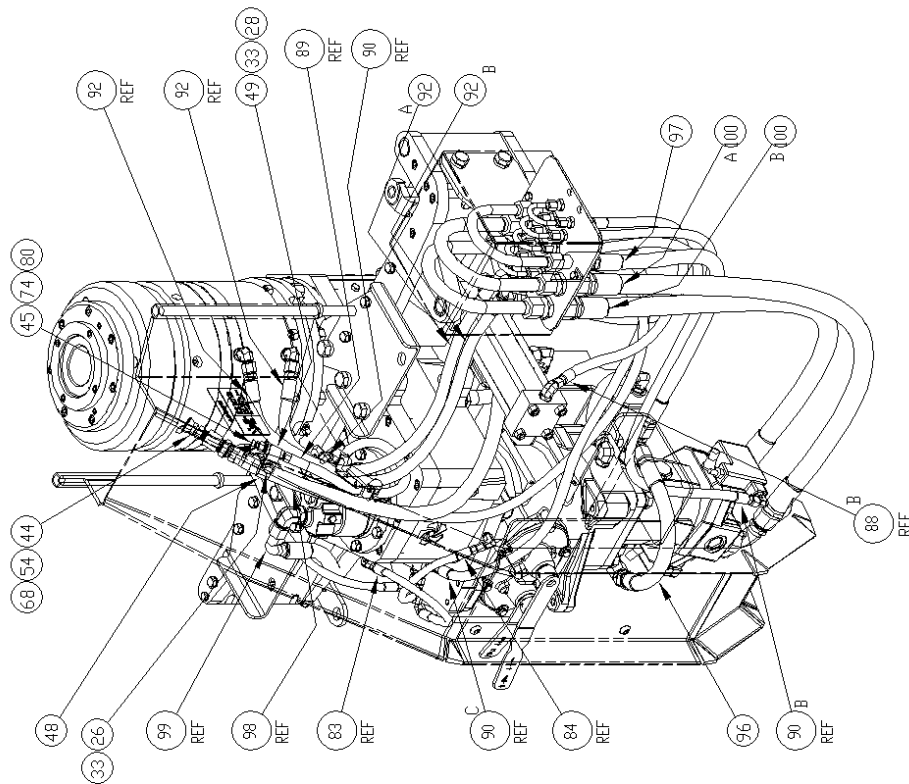
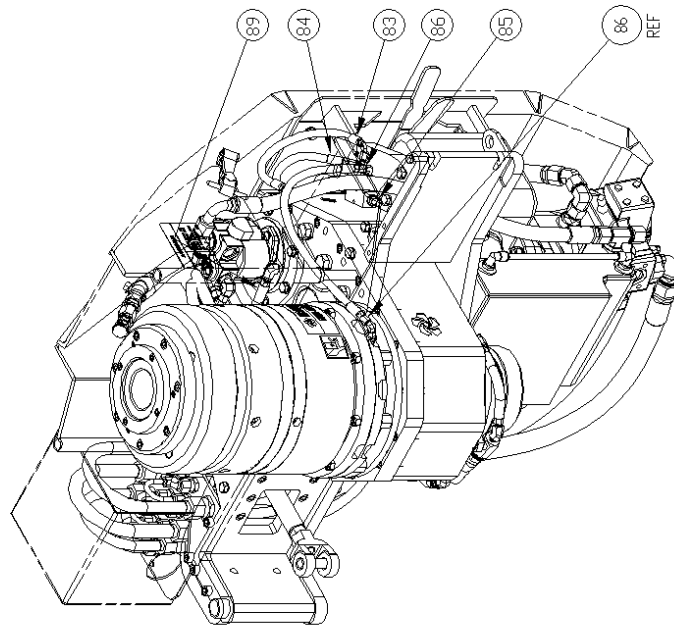
Copyright © 2019 Boart Longyear. All rights reserved.

Boart Longyear is constantly striving to improve its products and must therefore, reserve the right to change designs, materials, specifications and price without notice.



3546088 PQ HEAD ASM

3546088 PQ HEAD ASM



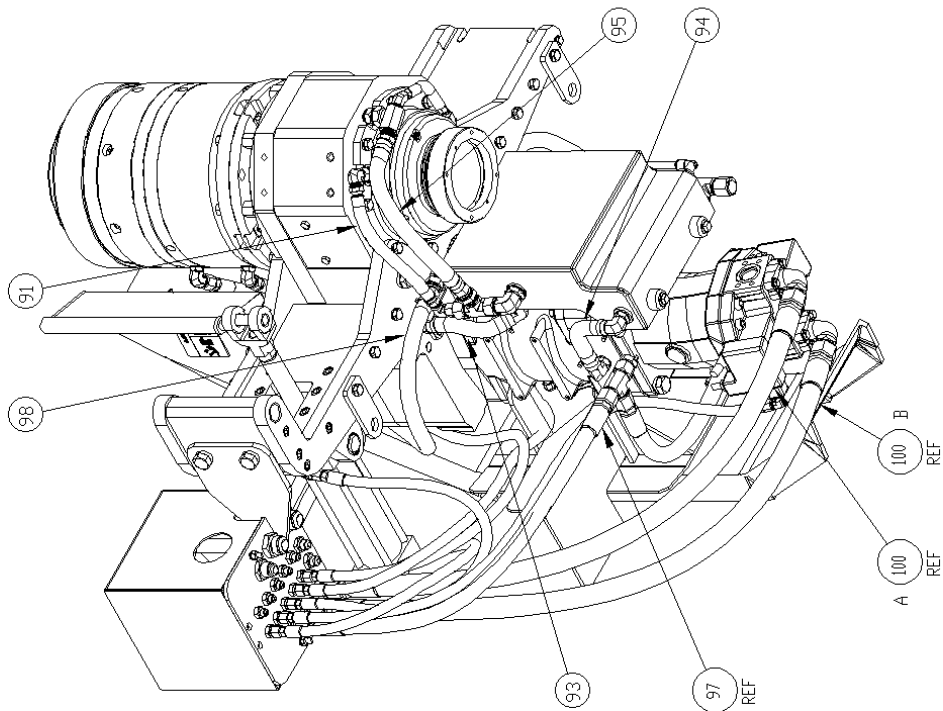
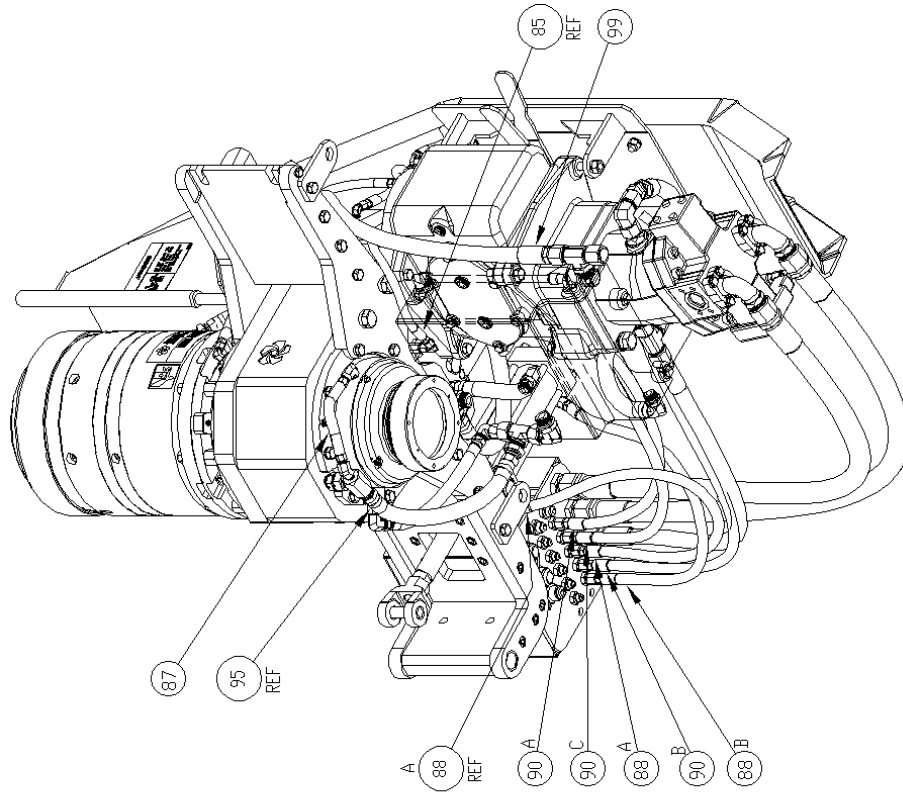
LF230 2007-193 Thru Current

Copyright © 2019 Boart Longyear. All rights reserved.

Boart Longyear is constantly striving to improve its products and must therefore, reserve the right to change designs, materials, specifications and price without notice.



3546088 PQ HEAD ASM



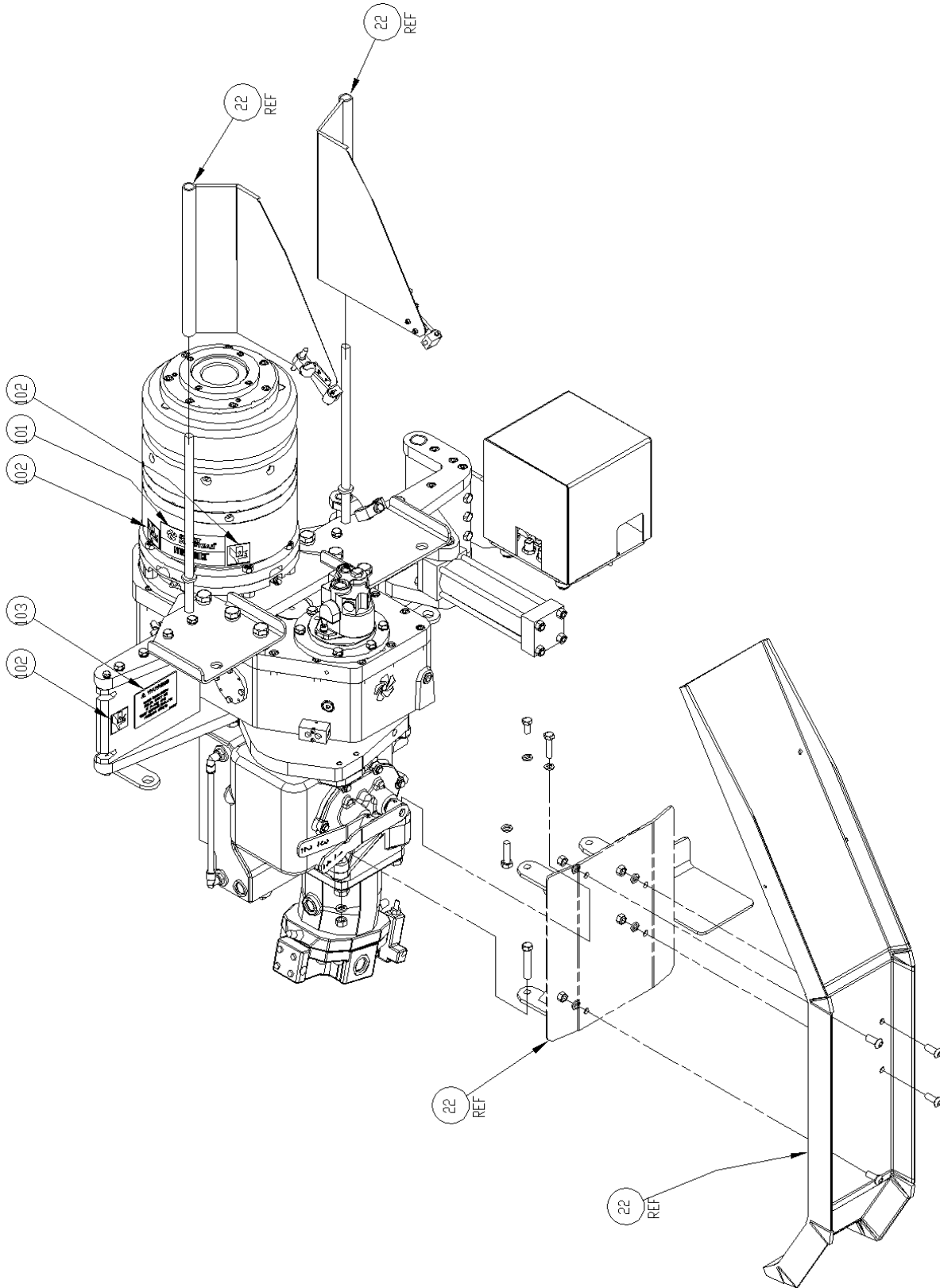
LF230 2007-193 Thru Current

Copyright © 2019 Boart Longyear. All rights reserved.

Boart Longyear is constantly striving to improve its products and must therefore, reserve the right to change designs, materials, specifications and price without notice.



3546088 PQ HEAD ASM



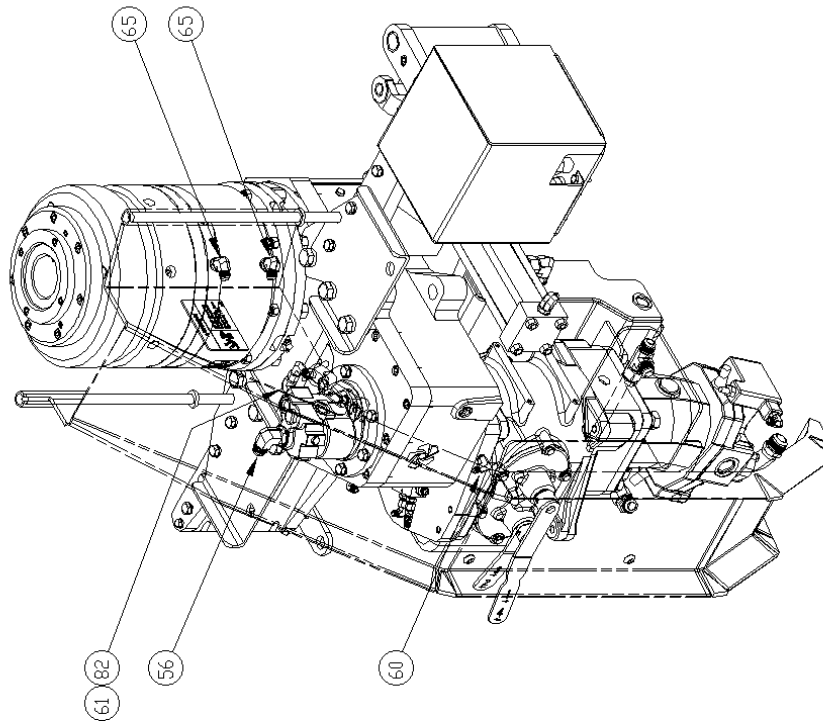
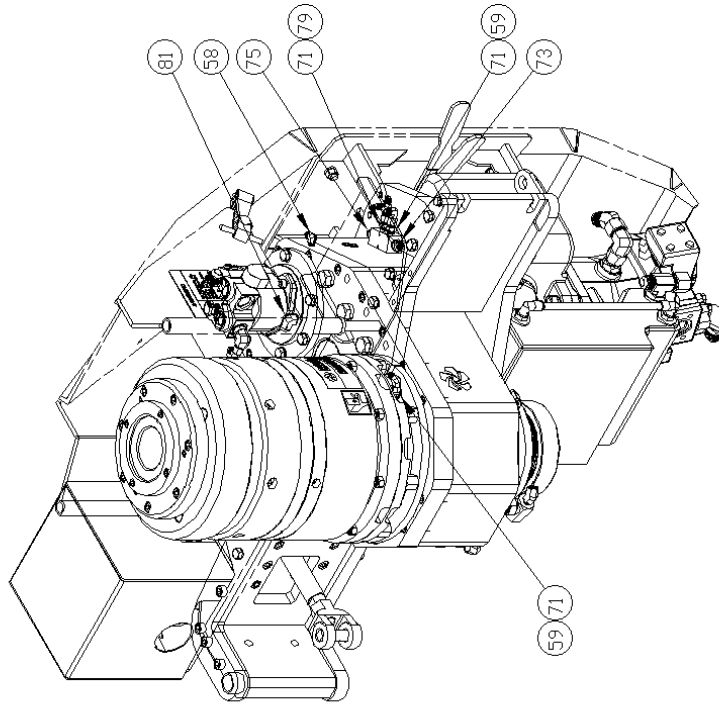
LF230 2007-193 Thru Current

Copyright © 2019 Boat Longyear. All rights reserved.

Boat Longyear is constantly striving to improve its products and must therefore, reserve the right to change designs, materials, specifications and price without notice.



3546088 PQ HEAD ASM



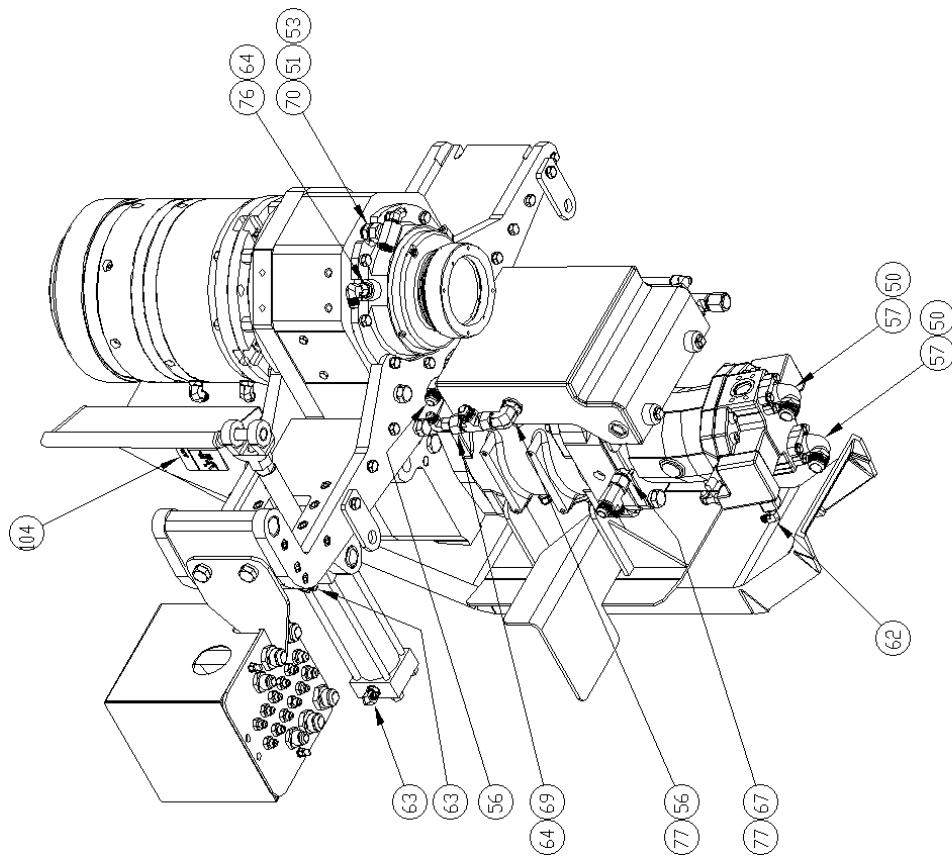
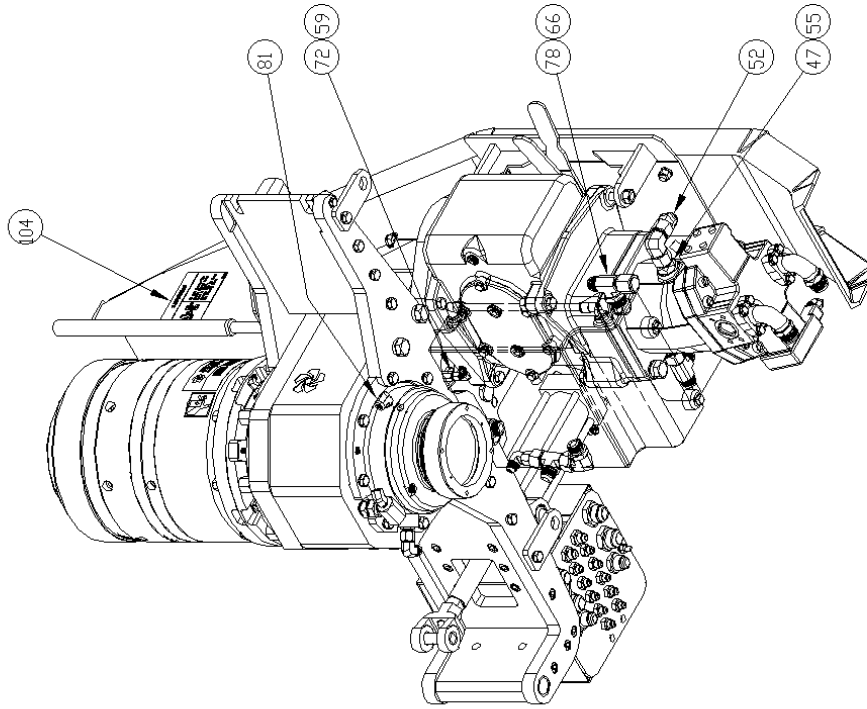
LF230 2007-193 Thru Current

Copyright © 2019 Boart Longyear. All rights reserved.

Boart Longyear is constantly striving to improve its products and must therefore, reserve the right to change designs, materials, specifications and price without notice.



3546088 PQ HEAD ASM



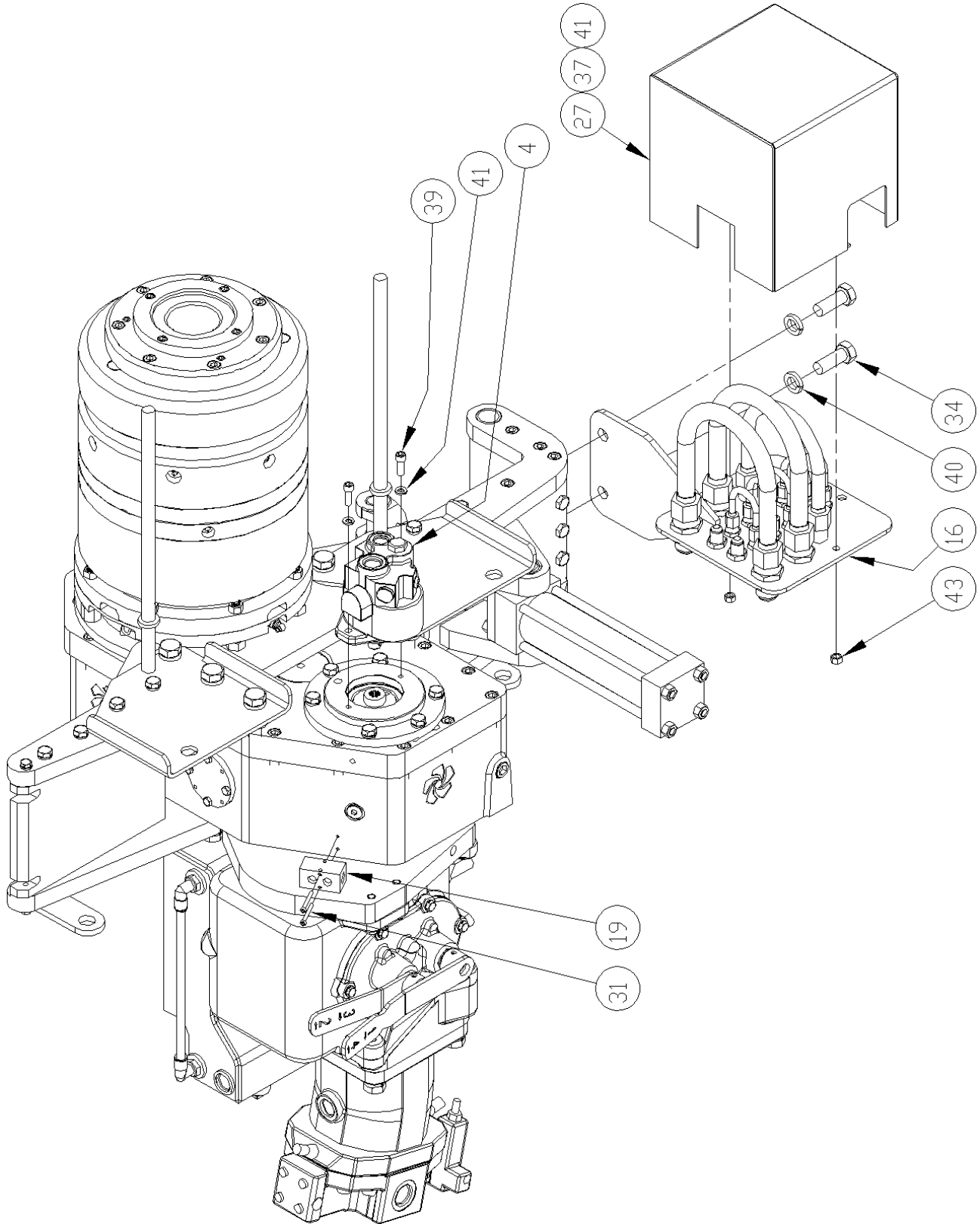
LF230 2007-193 Thru Current

Copyright © 2019 Boart Longyear. All rights reserved.

Boart Longyear is constantly striving to improve its products and must therefore, reserve the right to change designs, materials, specifications and price without notice.



3546088 PQ HEAD ASM



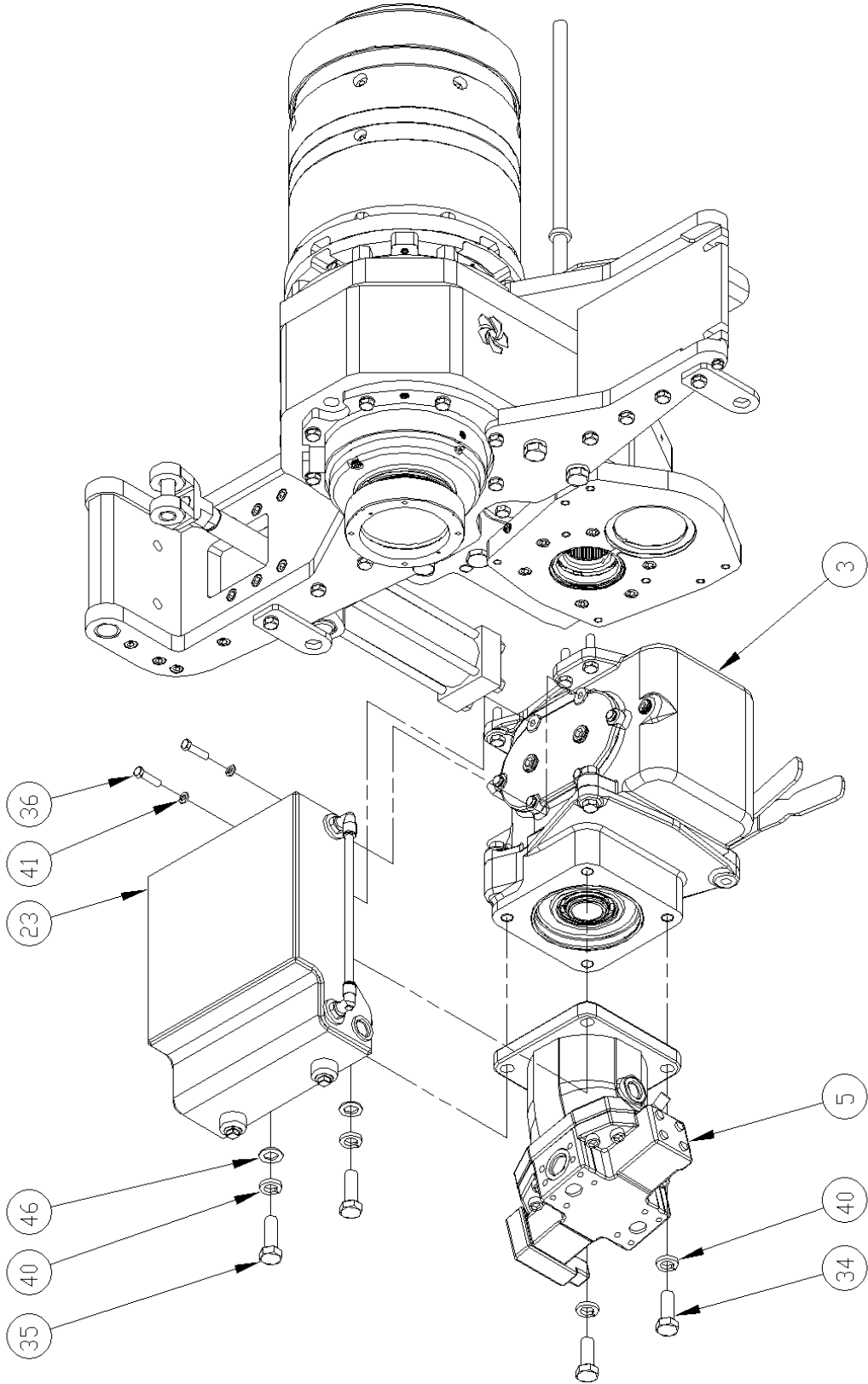
LF230 2007-193 Thru Current

Copyright © 2019 Boart Longyear. All rights reserved.

Boart Longyear is constantly striving to improve its products and must therefore, reserve the right to change designs, materials, specifications and price without notice.



3546088 PQ HEAD ASM



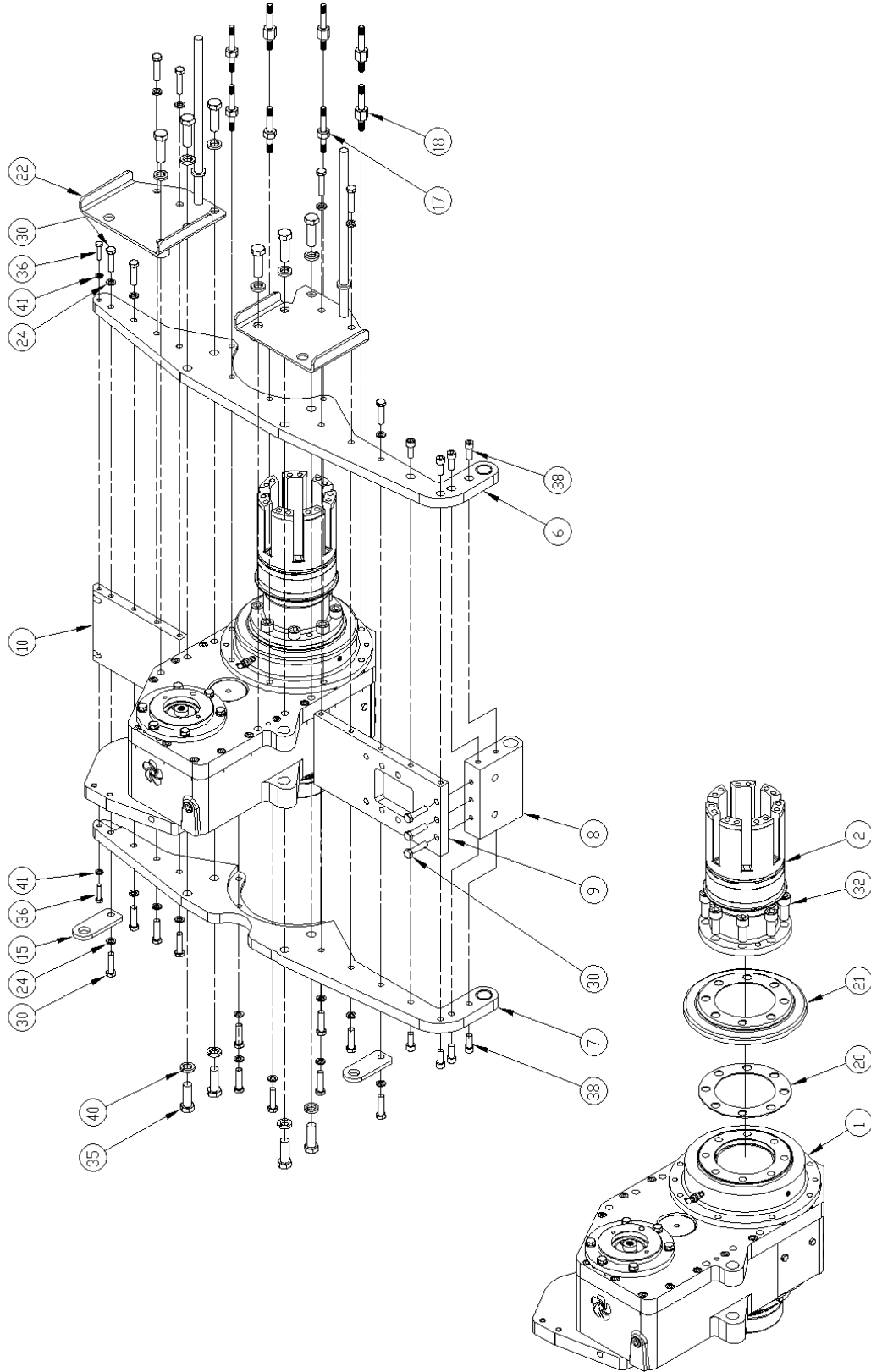
LF230 2007-193 Thru Current

Copyright © 2019 Boart Longyear. All rights reserved.

Boart Longyear is constantly striving to improve its products and must therefore, reserve the right to change designs, materials, specifications and price without notice.



3546088 PQ HEAD ASM



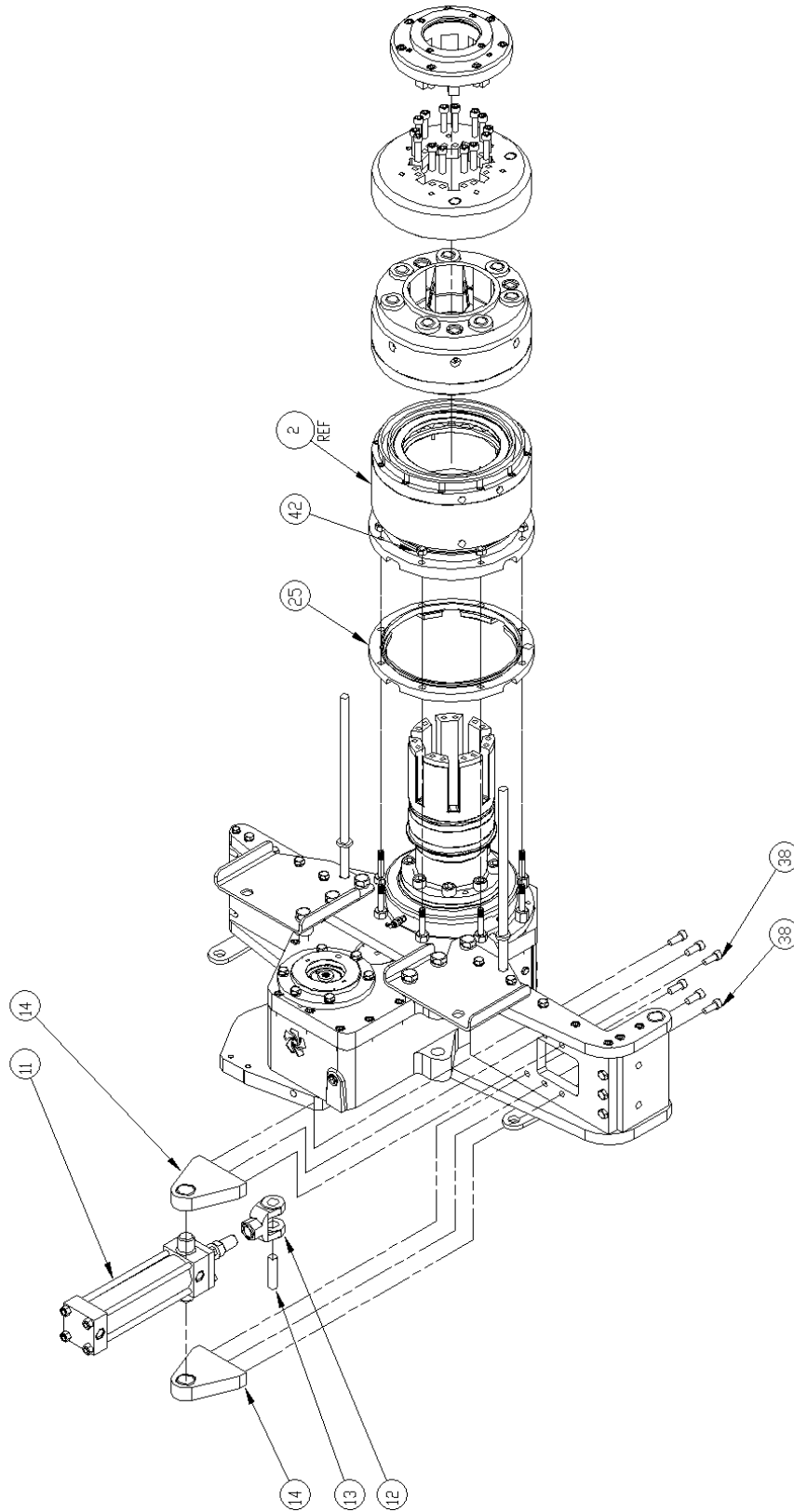
LF230 2007-193 Thru Current

Copyright © 2019 Boart Longyear. All rights reserved.

Boart Longyear is constantly striving to improve its products and must therefore, reserve the right to change designs, materials, specifications and price without notice.



3546088 PQ HEAD ASM



LF230 2007-193 Thru Current

Copyright © 2019 Boart Longyear. All rights reserved.

Boart Longyear is constantly striving to improve its products and must therefore, reserve the right to change designs, materials, specifications and price without notice.



Item	Part No.	Name	Qty	Service
Ref	3546088	DRIVE MODULE, LF230 PQ	1	D
1	3546087	HEAD ASM, BASIC PQ (134 ROD) 01	1	D
2	5404800	NITRO-CHUCK ASM, PQ	1	B
Comments for Part Num. 5404800 ALL LF DRILLS MANUFACTURED AFTER 2013 WERE SUPPLIED WITH THIS MODEL OF PQ CHUCK CHUCK SEAL KIT # 3543526				
3	3540635	TRANSMISSION, 4 SPEED REWORK	1	B
4	3547044	PUMP, HYD GEAR 4.92 LF230 PQ	1	A
5	3546689	MOTOR, LF230 PQ HEAD HYD	1	B
Comments for Part Num. 3546689 SEAL KIT # 3541832				
6	3546691	YOKE, LF230 UPPER MOUNTING	1	D
7	3546690	YOKE, LF230 LOWER MOUNTING	1	D
8	3546694	SPACER, HINGE SUPPORT	1	D
9	3546695	PLATE, P HEAD LATERAL SUPPORT	1	D
10	3546696	PLATE, P HEAD LATERAL SUPPORT	1	D
11	3546688	CYLINDER, LF230 HEAD OPENER	1	C
Comments for Part Num. 3546688 SEAL KIT # 5401783				
12	560034	ROD, CLEVIS	1	C
13	3544113	PIN, PIVOT MAST RAISING CYL	1	C
14	3546697	LUG, CYLINDER TRUNION	2	C
15	3547313	LUG, LF230 PQ HEAD LIFTING	2	D
16	3546647	HANGER ASM, LF230 HOSE	1	D
17	5405149	STUD, CHUCK SHORT HEX	4	D
18	5404330	STUD, CHUCK LONG HEX	4	D
19	3540055	MANIFOLD, 2 PORTS	1	D
20	5404329	SPACER	1	D
21	5403897	SHIELD, MUD	1	D
22	3546708	GUARD GROUP, LF230 PQ HEAD	1	D

LF230 2007-193 Thru Current

Copyright © 2019 Boart Longyear. All rights reserved.

Boart Longyear is constantly striving to improve its products and must therefore, reserve the right to change designs, materials, specifications and price without notice.



Item	Part No.	Name	Qty	Service
23	3546873	RESERVOIR ASM, PQ HEAD	1	C
24	102955	L/WASHER, 1/2ID SAE G8	14	F
25	5404327	ADAPTER, CHUCK	1	D
26	45767	C/SCR, HH 7/16 UNC X 1-1/2 G8	1	F
27	3545102	GUARD, BULKHEAD HOSE	1	D
28	44680	NUT, HEX 7/16 UNC G8	1	F
29	44530	C/SCR, HH 1/2 UNC X 1-1/4 G8	1	F
30	44585	C/SCR, HH 1/2 UNC X 2 G8	21	F
31	3540014	C/SCR, SH 10 UNC X 1 3/4 G8	2	F
32	103243	C/SCR, SH 3/4 UNC X 1-3/4 G8	8	F
33	40012	WASHER, FLAT 7/16 SAE G8	2	F
34	44748	C/SCR, HH 3/4 UNC X 2 G8	4	F
35	44517	C/SCR, HH 3/4 UNC X 2-1/4 G8	6	F
36	44536	C/SCR, HH 3/8 UNC X 1-1/2 G8	4	F
37	44593	C/SCR, HH 3/8 UNC X 1-1/4 G8	2	F
38	44550	C/SCR, SH 1/2 UNC X 1-1/4 G8	14	F
39	44630	C/SCR, SH 3/8 UNC X 1 G8	2	F
40	44523	L/WASHER, 3/4 SAE G8	10	F
41	44520	L/WASHER, 3/8 SAE G8	8	F
42	44525	NUT, HEX 1/2 UNC G8	8	F
43	44527	NUT, HEX 3/8 UNC G8	2	F
44	21393	BREATHER,	1	C
45	102803	BREATHER, 1/8 NPT	1	C
46	44612	WASHER, FLAT 3/4 USS G2	2	F
47	5404317	VALVE, HYD CHECK 5PSI	1	C
48	22811	SUPT, CLAMP	1	D
49	26046	P-CLAMP, HOSE SUPPORT	1	D
50	5405427	ADAP, HYD SPLIT FLANGE KIT 16 SAE CODE 61	2	F
51	3541297	ADAP, HYD (REWORK) 90 DEG.	1	F
52	33749	ADAP, HYD 45 12JIC 12JIC-F	1	F
53	36993	ADAP, HYD 45 4NPTF 4NPTF-F	1	F
54	31188	ADAP, HYD 8NPTF 6NPTF-F	1	F

LF230 2007-193 Thru Current

Copyright © 2019 Boart Longyear. All rights reserved.

Boart Longyear is constantly striving to improve its products and must therefore, reserve the right to change designs, materials, specifications and price without notice.



Item	Part No.	Name	Qty	Service
55	43072	ADAP, HYD 90 12JIC 12JIC-F	1	F
56	36980	ADAP, HYD 90 12JIC 12ORB	3	F
57	101531	ADAP, HYD 90 16JIC 16FLG61	2	F
58	19141	ADAP, HYD 90 4JIC 2NPTF	1	F
59	33214	ADAP, HYD 90 4JIC 4JIC-F	3	F
60	28917	ADAP, HYD 90 4JIC 4NPTF	1	F
61	36998	ADAP, HYD 90 6JIC 6JICFS	1	F
62	36478	ADAP, HYD 90 6JIC 6ORB	1	F
63	3541910	ADAP, HYD 90 6JIC 8ORB	2	F
64	39690	ADAP, HYD 90 8JIC 8JIC-F	2	F
65	36457	ADAP, HYD 90 08JIC 08ORB	2	F
66	40393	ADAP, HYD CAP NUT 12JIC-F	1	F
67	36960	ADAP, HYD STR 12JIC 10ORB	1	F
68	33504	ADAP, HYD STR 12JIC 8NPT-F	1	F
69	36452	ADAP, HYD STR 12JIC-F 8JIC	1	F
70	33065	ADAP, HYD STR 12NPTF	1	F
71	19972	ADAP, HYD STR 4JIC 1/4" NPTF	3	F
72	33477	ADAP, HYD STR 4JIC 4NPTF	1	F
73	39911	ADAP, HYD STR 4JIC 6NPTF	1	F
74	34075	ADAP, HYD STR 4NPTF 2NPTF-F	1	F
75	36469	ADAP, HYD STR 6JIC 6NPTF	1	F
76	36458	ADAP, HYD STR 08JIC 8ORB	1	F
77	33794	TEE, 1-1/16 JIC M-FS-M	2	F
78	33680	ADAP, HYD TEE 12JIC 12ORB	1	F
79	33791	ADAP, HYD TEE 4JIC 4JIC-F	1	F
80	19033	COUPLING, PIPE 1/4 NTP, 2000#	1	F
81	34123	ELBOW 90 1/4NPT M-F	2	F
82	33171	ADAP, HYD 90 6JIC 8 ORB	1	F
83	3540627	HOSE ASM, [1/4] x 23cm	1	D
84	3540628	HOSE ASM, [1/4] x 23cm	1	D
85	3540626	HOSE ASM, [1/4] x 41cm	1	D
86	61048	HOSE ASM, [1/4] x 66cm	1	D

LF230 2007-193 Thru Current

Copyright © 2019 Boart Longyear. All rights reserved.

Boart Longyear is constantly striving to improve its products and must therefore, reserve the right to change designs, materials, specifications and price without notice.



Item	Part No.	Name	Qty	Service
87	5405540	HOSE ASM, [3/8] x 20cm	1	D
88	62281	HOSE ASM, [3/8] x 61cm	2	D
89	5404933	HOSE ASM, [3/8] x 68cm	1	D
90	60483	HOSE ASM, [3/8] x 122cm	3	D
91	5405542	HOSE ASM, [1/2] x 29cm	1	D
92	63261	HOSE ASM, [1/2] x 91cm	2	D
93	5405538	HOSE ASM, [3/4] x 25cm	1	D
94	5405536	HOSE ASM, [3/4] x 33cm	1	D
95	5405537	HOSE ASM, [3/4] x 44cm	1	D
96	5405539	HOSE ASM, [3/4] x 48cm	1	D
97	63283	HOSE ASM, [3/4] x 91cm	1	D
98	5405541	HOSE ASM, [3/4] x 98cm	1	D
99	34569	HOSE ASM, [3/4] x 94cm	1	D
100	5005505	HOSE ASM, [1] x 130cm	2	D
101	5402618	DECAL, NITRO CHUCK	0	D
102	3548150	DECAL, PINCH POINTS	0	D
103	3541257	DECAL, HEAD LOCK DOWN WARNING	0	D
104	3549567	DECAL, ROTATION ENTANGLEMENT (ENG)	0	D

LF230 2007-193 Thru Current

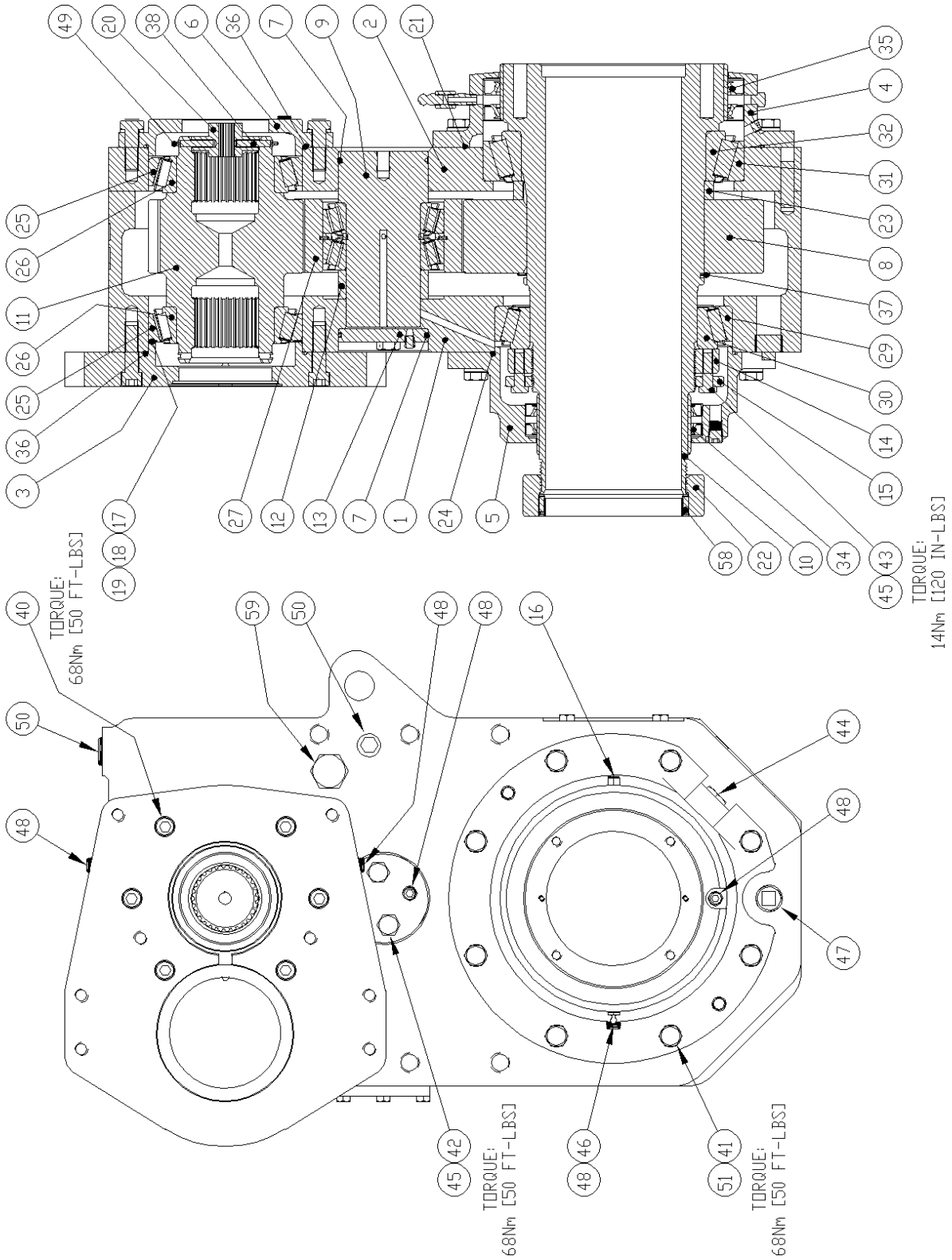
Copyright © 2019 Boart Longyear. All rights reserved.

Boart Longyear is constantly striving to improve its products and must therefore, reserve the right to change designs, materials, specifications and price without notice.



3546087 HEAD ASM, BASIC PQ (134 ROD) 01

3546087 HEAD ASM, BASIC PQ (134 ROD)



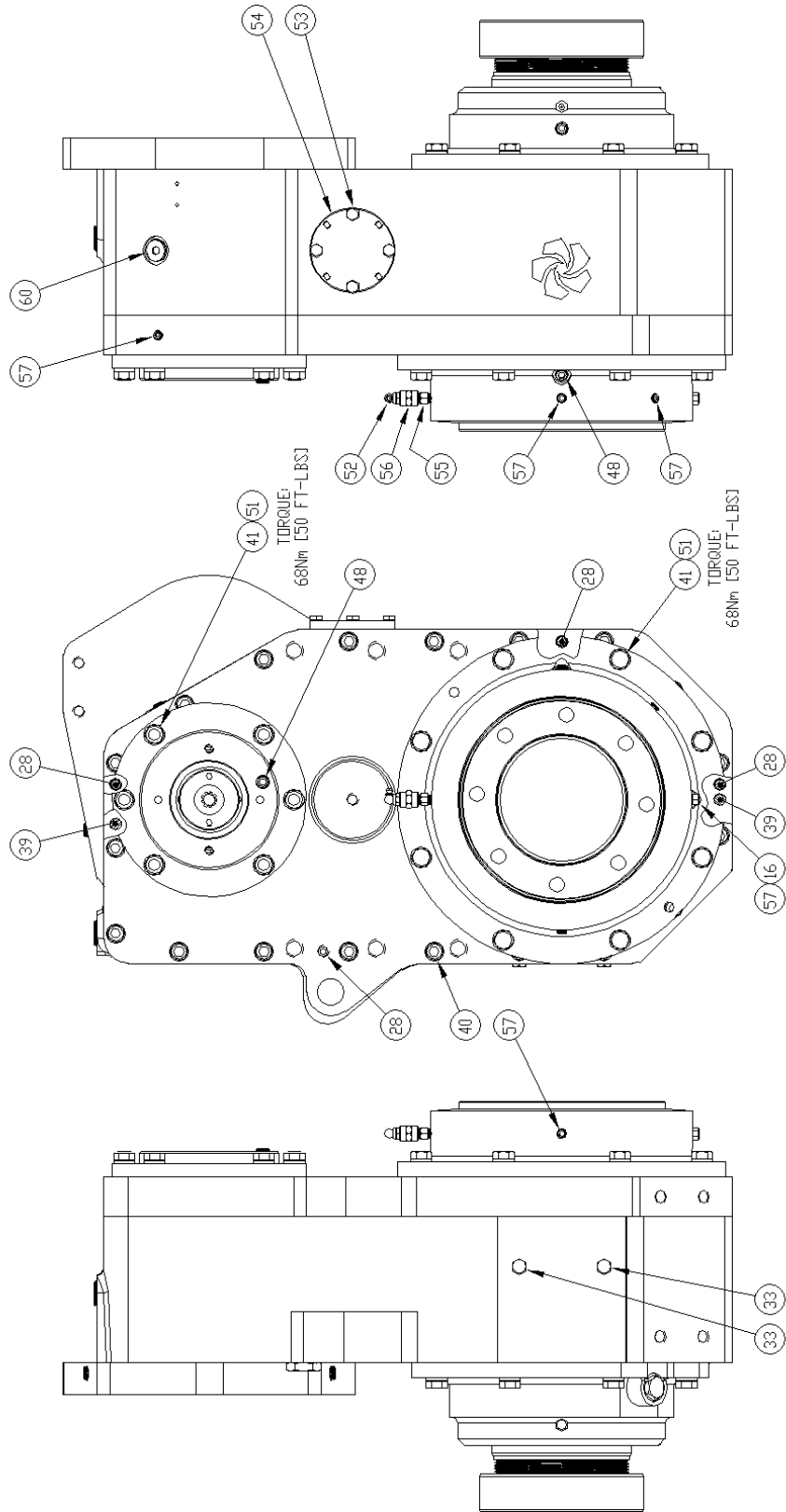
LF230 2007-193 Thru Current

Copyright © 2019 Boart Longyear. All rights reserved.

Boart Longyear is constantly striving to improve its products and must therefore, reserve the right to change designs, materials, specifications and price without notice.



3546087 HEAD ASM, BASIC PQ (134 ROD) 01



LF230 2007-193 Thru Current

Copyright © 2019 Boart Longyear. All rights reserved.

Boart Longyear is constantly striving to improve its products and must therefore, reserve the right to change designs, materials, specifications and price without notice.



Item	Part No.	Name	Qty	Service
Ref	3546087	HEAD ASM, BASIC PQ (134 ROD) 01	1	D
1	306473	HOUSING-MAIN	1	E
2	306474	COVER-HOUSING	1	E
3	306475	CARRIER-INPUT	1	D
4	306476	CAP- BEARING UPPER (OUTPUT)	1	D
5	306477	CAP- BEARING LOWER (OUTPUT)	1	D
6	3546714	COVER- LF230 PUMP MOUNTING	1	D
7	48761	O'RING, SHAFT INTERMEDIATE	2	A
8	306468	GEAR-OUTPUT	1	C
9	306479	SHAFT-INTERMEDIATE IDLER	1	C
10	3546756	SPINDLE ASM, PQ HEAD 5.06 ID	1	C
11	306466	PINION AND SHAFT-INPUT	1	C
12	306481	SPACER-INTERMEDIATE	1	D
13	306482	PLATE-INTERMEDIATE LOCK	1	C
14	306483	RING-INNER LOCK	1	C
15	306484	RING-OUTER LOCK	1	C
16	5006702	FITTING, GREASE 1/8 NPT PURGE	2	F
17	306487	SHIM-.005 THICK	3	A
18	306488	SHIM-.007 THICK	3	A
19	306489	SHIM-.020 THICK	1	A
20	3546712	ADAPTER ASM, PQ HEAD PUMP	1	B
21	3548734	O-RING, 276	1	A
22	3546085	NUT REWORK, SPINDLE PQ HEAD	1	C
23	306493	SPACER-OUTPUT	1	D
24	3548735	O-RING, 270	1	A
25	306585	CUP-BEARING, O.D. 5.75	2	C
26	306587	CONE-BEARING, I.D. 3.625"	2	C
27	3540433	GEAR, INTERMEDIATE ASSEMBLY (PQ HEAD)	1	C
28	45676	C/SCR, SH 1/2-13 NC x 3/4 Lg.	4	F
29	306590	CUP-BEARING, O.D. 8.875"	1	C
30	306592	CONE-BEARING, I.D. 6.25"	1	C
31	306593	CUP-BEARING, O.D. 9.75	1	C

LF230 2007-193 Thru Current

Copyright © 2019 Boart Longyear. All rights reserved.

Boart Longyear is constantly striving to improve its products and must therefore, reserve the right to change designs, materials, specifications and price without notice.



3546087 HEAD ASM, BASIC PQ (134 ROD) 01

Item	Part No.	Name	Qty	Service
32	306594	CONE-BEARING, I.D. 6.875"	1	C
33	44538	C/SCR, HH 3/8 UNC X 1/2 G8	2	F
34	306599	SEAL-OIL, ID 5.75" OD 6.625"	2	A
35	306600	SEAL, OIL ID 8.5" OD 9.75	2	A
36	3548736	O-RING, 257	2	A
37	306603	RING-SNAP, Dia6.75" SHAFT	1	C
38	3546713	PIN, 1/4 DIA. x 1 1/4 LG DOWEL	2	B
39	3540648	DOWEL-GROOVED Dia1/2" x 1.75"LG.	2	D
40	46102	C/SCR, SH 1/2 UNC X 1-3/4 G8	25	F
41	44510	C/SCR, HH 1/2 UNC X 1-1/2 G8	22	F
42	306606	C/SCR,HH 1/2-13x1-1/4 Lg (Rwk)	2	F
43	306608	C/SCR,HH 3/8-16x1-1/4 Lg (Rwk)	6	F
44	39572	ADAP, HYD HH PLUG 8 ORB	1	F
45	44766	WIRE, .047 DIA SAFETY	A/R	A
46	16634	GREASE NIPPLE, STR 1/8-27 NPT	1	F
47	3540054	PLUG-MAGNETIC PIPE [3/4 NPT]	1	D
48	22079	ADAP, HYD PLUG SH 1/4 NPT	7	F
49	306604	RING-SNAP, Dia3.625" SHAFT	1	C
50	28051	PLUG, 3/4 NPT HOLLOW HEX	2	F
51	44521	L/WASHER, 1/2 SAE G8	22	F
52	17273	FITTING, 90DEG 1/8"NPT GREASE	1	F
53	44551	C/SCR, HH 5/16 UNC X 3/4 G8	4	F
54	100327	COVER, SERVICE	1	C
55	34056	ADAP, HYD 1/8 NPT x 1/8 NPT	1	F
56	34099	ADAP, HYD 1/8NPT(F) x 1/8NPT(F)	1	F
57	38045	PLUG, 1/8 STEEL PIPE	4	D
58	44661	S/SCR, SH 1/4-UNC x 3/4 LG	2	F
59	36596	ADAP, HYD PLUG HH 12 ORB	1	F
60	49229	ADAP, HYD PLUG SH 8 ORB	1	F

Comments for Page: 3546087 HEAD ASM, BASIC PQ (134 ROD) 01

(#7 48761)(#17 306487)(#18 306488)(#19 306489)(#21 3548734)(#24 3548735)(#34 306599)(#35 306600)(#36 3548736)SUPPLIED IN BASIC HEAD

LF230 2007-193 Thru Current

Copyright © 2019 Boart Longyear. All rights reserved.

Boart Longyear is constantly striving to improve its products and must therefore, reserve the right to change designs, materials, specifications and price without notice.



3546087 HEAD ASM, BASIC PQ (134 ROD) 01

SEAL KIT # 5000405

LF230 2007-193 Thru Current

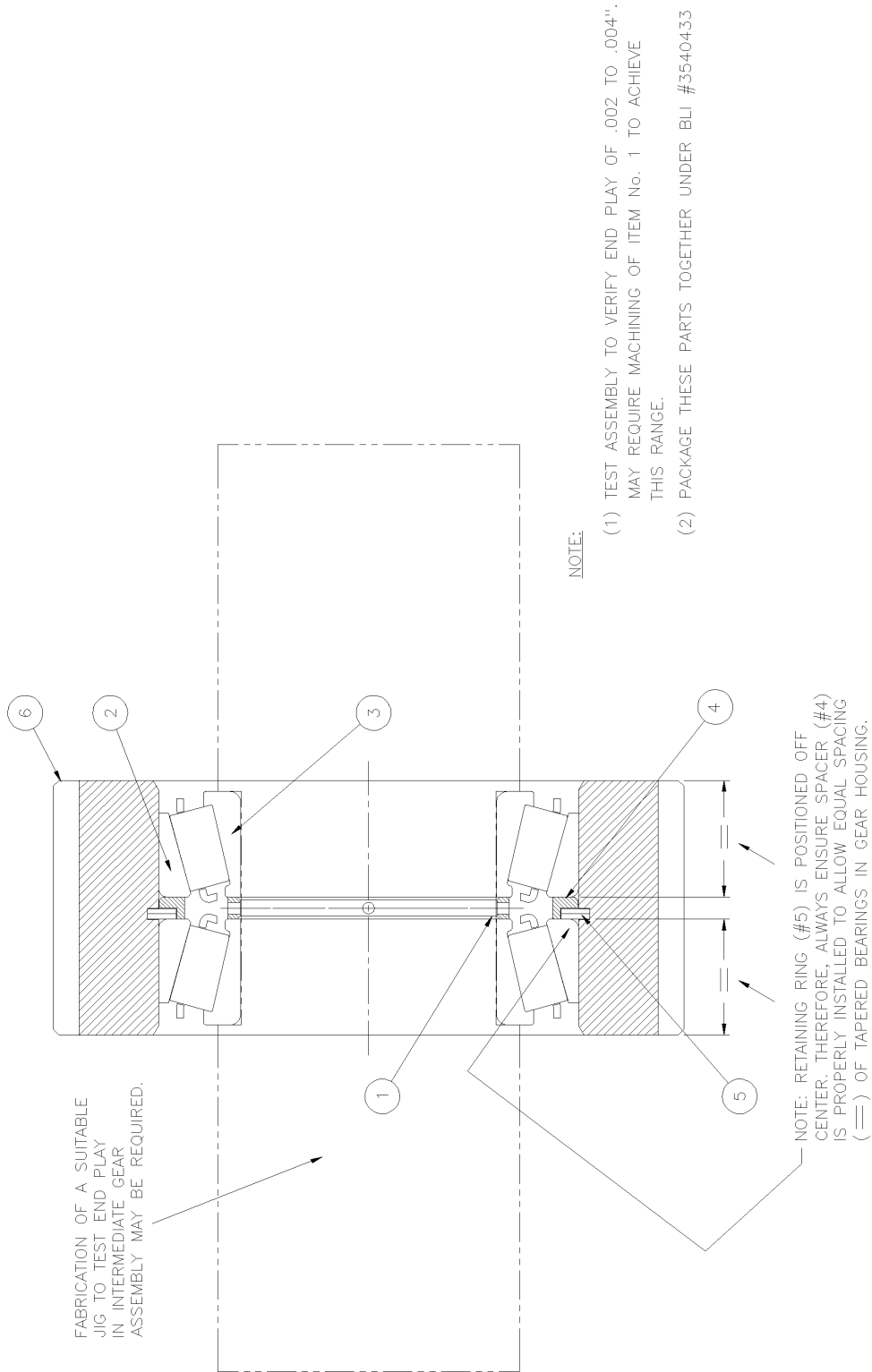
Copyright © 2019 Boart Longyear. All rights reserved.

Boart Longyear is constantly striving to improve its products and must therefore, reserve the right to change designs, materials, specifications and price without notice.



3540433 GEAR, INTERMEDIATE ASSEMBLY (PQ HEAD)

3546087 HEAD ASM, BASIC PQ (134 ROD)



LF230 2007-193 Thru Current

Copyright © 2019 Boat Longyear. All rights reserved.

Boat Longyear is constantly striving to improve its products and must therefore, reserve the right to change designs, materials, specifications and price without notice.



3540433 GEAR, INTERMEDIATE ASSEMBLY (PQ HEAD)

Item	Part No.	Name	Qty	Service
Ref	3540433	GEAR, INTERMEDIATE ASSEMBLY (PQ HEAD)	1	C
1	306492	SPACER, BEARING (REWORK)	1	C
2	306588	CUP, BEARING O.D. 4.5276	2	C
3	306589	CONE, BEARING I.D. 2.7559	2	C
4	306597	SPACER, CUP	1	D
5	3540005	RING, RETAINING Dia4.5" HOUSING	1	B
6	306469	GEAR, INTERMEDIATE	1	C

Comments for Page: 3540433 GEAR, INTERMEDIATE ASSEMBLY (PQ HEAD)

(#1 306492)(#2 306588)(#3 306589)(#5 3540005)INCLUDED IN GEARBOX OVERHAUL KIT # 5000545

LF230 2007-193 Thru Current

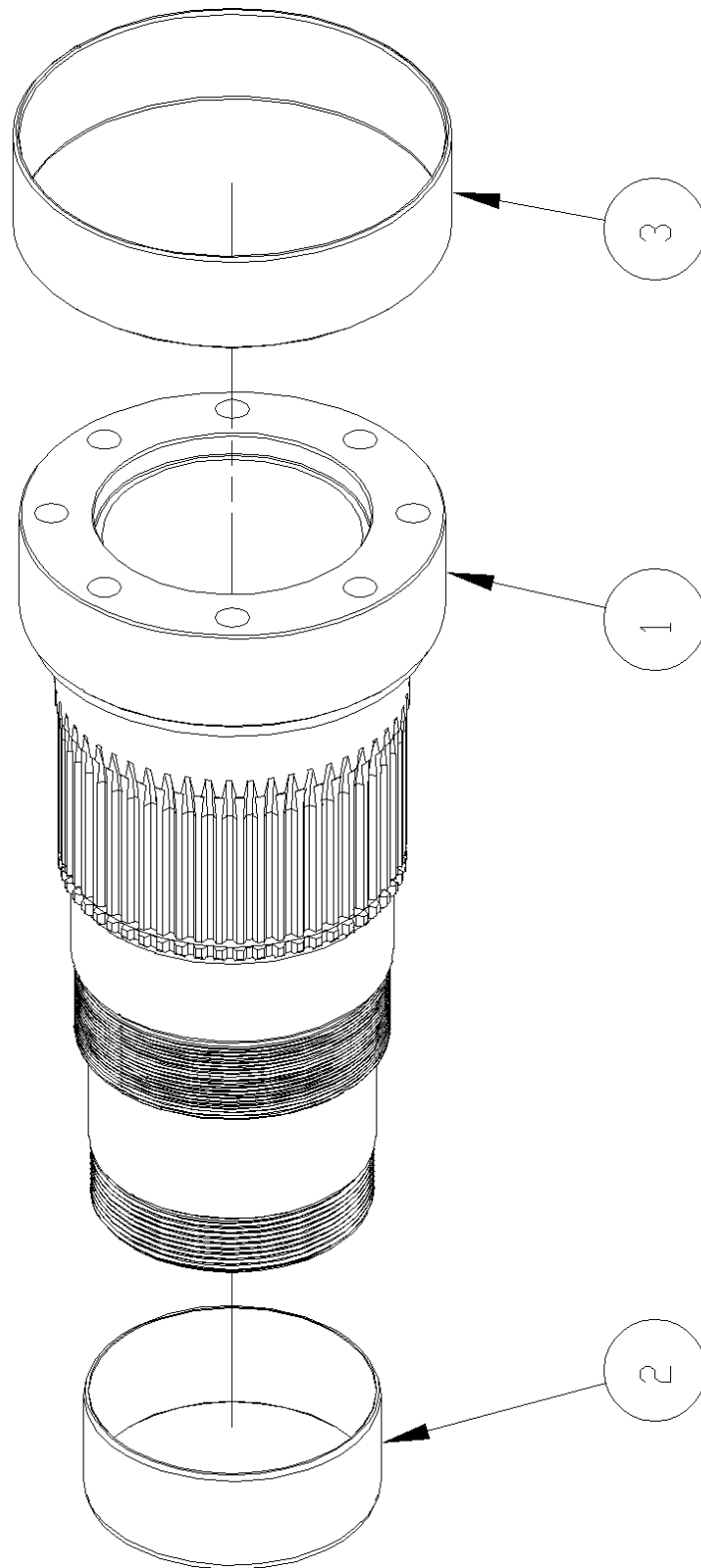
Copyright © 2019 Boart Longyear. All rights reserved.

Boart Longyear is constantly striving to improve its products and must therefore, reserve the right to change designs, materials, specifications and price without notice.



3546756 SPINDLE ASM, PQ HEAD 5.06 ID

3546087 HEAD ASM, BASIC PQ (134 ROD)



LF230 2007-193 Thru Current

Copyright © 2019 Boart Longyear. All rights reserved.

Boart Longyear is constantly striving to improve its products and must therefore, reserve the right to change designs, materials, specifications and price without notice.



Item	Part No.	Name	Qty	Service
Ref	3546756	SPINDLE ASM, PQ HEAD 5.06 ID	1	C
1	5404855	ORDER ASM 3546756	1	D
2	3546752	SLEEVE, PQ SPINDLE WEAR (LOWER SPINDLE)	1	A
3	306494	SLEEVE-OUTPUT WEAR	1	A

LF230 2007-193 Thru Current

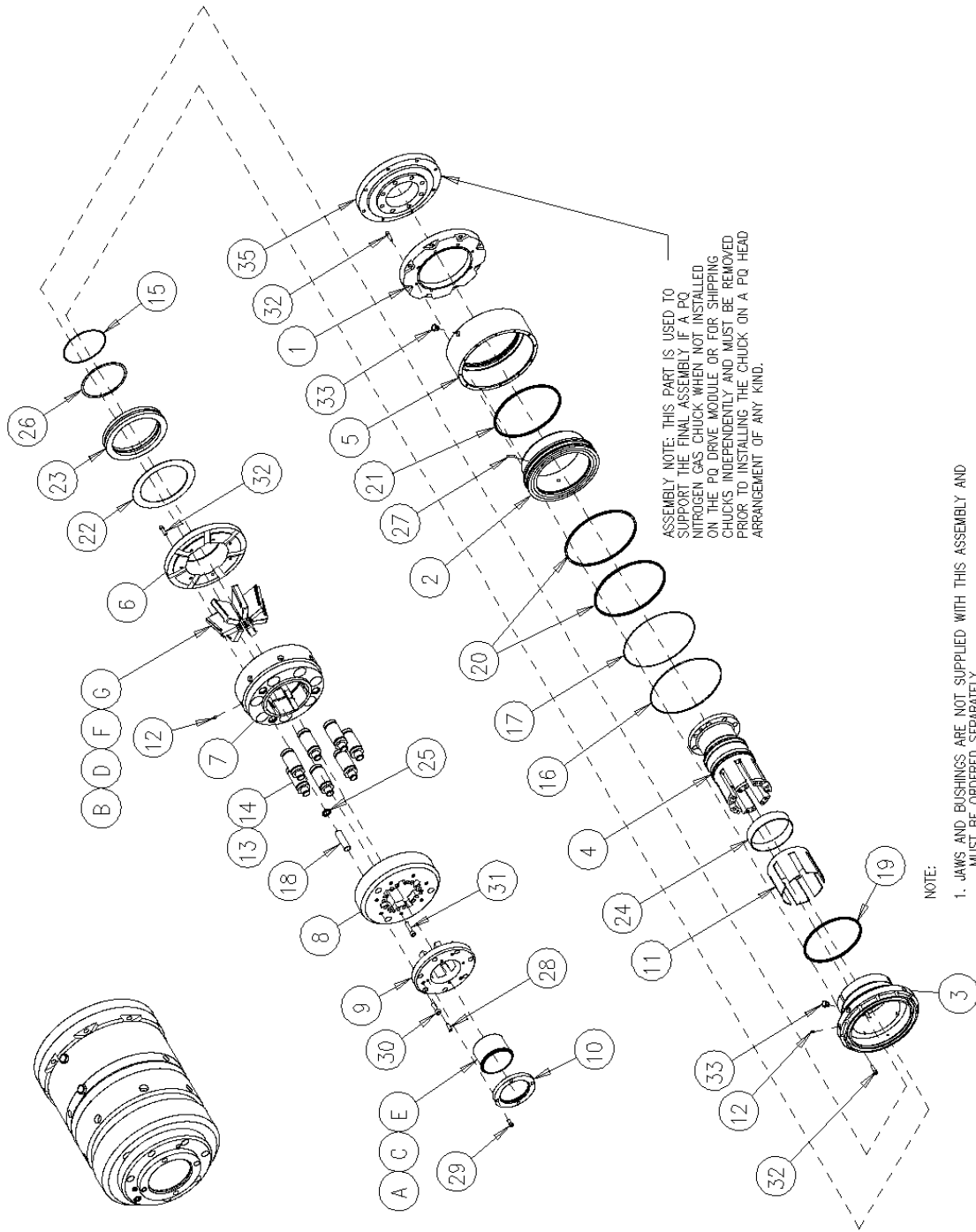
Copyright © 2019 Boart Longyear. All rights reserved.

Boart Longyear is constantly striving to improve its products and must therefore, reserve the right to change designs, materials, specifications and price without notice.



3546086 CHUCK ASM, PQ NITROGEN 5-1/16" SPINDLE 01

3546086 CHUCK ASM, PQ NITROGEN 5-1/16" SPINDLE



ASSEMBLY NOTE: THIS PART IS USED TO SUPPORT THE FINAL ASSEMBLY IF A PQ NITROGEN GAS CHUCK WHEN NOT INSTALLED ON THE PQ DRIVE MODULE OR FOR SHIPPING CHUCKS INDEPENDENTLY AND MUST BE REMOVED PRIOR TO INSTALLING THE CHUCK ON A PQ HEAD ARRANGEMENT OF ANY KIND.

- NOTE:
1. JAWS AND BUSHINGS ARE NOT SUPPLIED WITH THIS ASSEMBLY AND MUST BE ORDERED SEPARATELY.
 2. CHUCK MOUNTING HARDWARE IS NOT INCLUDED. REFER TO PQ HEAD DRIVE GROUPS FOR THE APPROPRIATE MOUNTING HARDWARE.

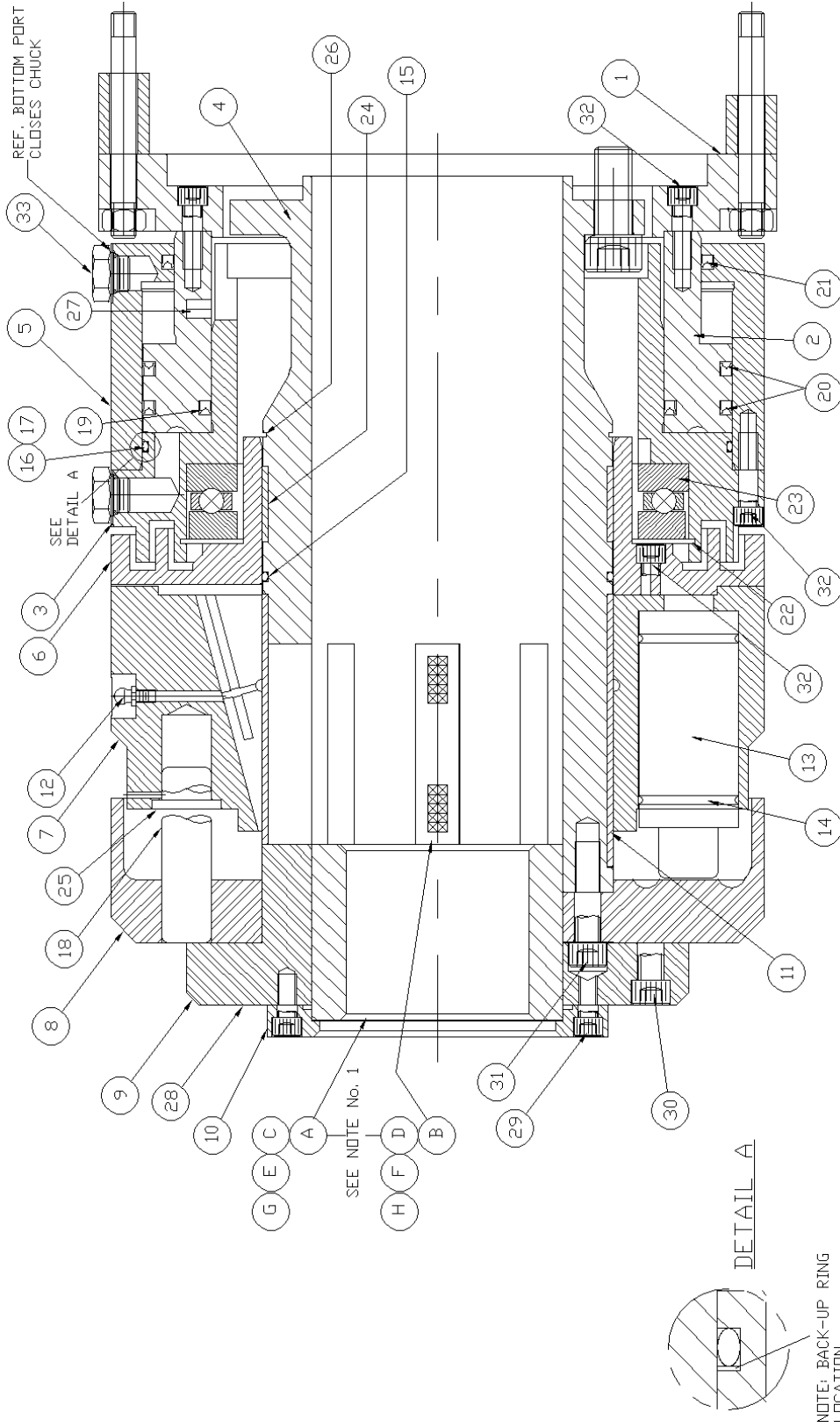
LF230 2007-193 Thru Current

Copyright © 2019 Boart Longyear. All rights reserved.

Boart Longyear is constantly striving to improve its products and must therefore, reserve the right to change designs, materials, specifications and price without notice.



3546086 CHUCK ASM, PQ NITROGEN 5-1/16" SPINDLE 01



LF230 2007-193 Thru Current

Copyright © 2019 Boart Longyear. All rights reserved.

Boart Longyear is constantly striving to improve its products and must therefore, reserve the right to change designs, materials, specifications and price without notice.



Item	Part No.	Name	Qty	Service
1	3543490	ADAPTER, MTG CHUCK NITRO	1	D
2	3543479	PISTON, PQ CHUCK NITRO	1	C
3	3543478	INNER CYLINDER, CHUCK NITRO	1	C
4	3546081	SPINDLE, PQ CHUCK 5.06 ID	1	C
5	3543480	CYLINDER, OUTER CHUCK NITRO	1	C
6	3543481	LABRINTH SEAL, CHUCK NITRO	1	C
7	3543515	BOWL, PQ CHUCK NITRO	1	C
8	3546083	RETAINER, SPRING PQ 5.06 ID	1	D
9	3546084	RETAINER, JAW PQ 5.06 ID	1	D
10	3543509	BUSHING, RETAINER GUIDE	1	B
11	3543514	SLEEVE, WEAR SPINDLE UPPER	1	B
12	17447	FITTING, HYD GREASE	9	F
13	5405230	GAS SPRING, NITROGEN	7	B
<p>Comments for Part Num. 5405230</p> <p>SEAL KIT # 5405231</p> <p>SERVICE TOOL KIT # 5404930</p> <p>THIS GAS SPRING REPLACES OLDER VERSION 3543497 SEAL KIT 3543498</p>				
14	3543519	O'RING, GAS SPRING PQ CHUCK	7	A
15	3543503	O'RING, PQ CHUCK SPINDLE	1	A
16	3543505	O-RING, SAE 276 BUNA-N 70D	1	A
17	3543506	RING, BACKUP PQ CHUCK CYLINDER	1	A
18	3543510	PIN, DOWEL 1"DIA X 3-1/2"LG	3	B
19	3543500	CUP SEAL, INNER URETHANE	1	A
20	3543501	CUP SEAL, OUTER URETHANE	2	A
21	3543502	CUP SEAL, PISTON URETHANE	1	A
22	3543499	RING, RETAINING INTERNAL	1	B
23	3543496	BEARING, BALL THRUST	1	B
24	3543507	RING, SPINDLE WEAR LOWER	1	B
25	3543508	SEAL, GUIDE PIN OIL	3	A
26	3543524	RING, RETAINING EXTERNAL	1	B
27	3547565	PIN, 3/8 DIA x 1 LG GROOVED	3	B
28	3543521	SCREW, SET 1/2-13UNC x 1 1/4	3	F

LF230 2007-193 Thru Current

Copyright © 2019 Boart Longyear. All rights reserved.

Boart Longyear is constantly striving to improve its products and must therefore, reserve the right to change designs, materials, specifications and price without notice.



3546086 CHUCK ASM, PQ NITROGEN 5-1/16" SPINDLE 01

Item	Part No.	Name	Qty	Service
29	44570	C/SCR, SH 3/8 UNC X 3/4 G8	4	F
30	44531	C/SCR, SH 1/2 UNC X 1-1/2 G8	7	F
31	47226	C/SCR, SH 1/2-20UNF x 2 LG	14	F
32	46527	C/SCR, SH 3/8 UNC X 1-1/4 G8	27	F
33	39572	ADAP, HYD HH PLUG 8 ORB	2	F
34	3543876	GREASE, ULTRA DUTY 14oz TUBE	1	E
35	3543774	SUPPORT PLT, PQ CHUCK	REF	
Comments for Part Num. 3543774				
THIS COMPONENT ONLY USED AS A FIXTURE TO SHIP A CHUCK ASSEMBLY- NOT REQUIRED ON DRILL				
A	3546862	BUSHING, GUIDE UPPER BQ	REF	B
B	3544188	JAW SET, BRQHP	REF	
C	3546861	BUSHING, GUIDE UPPER NQ	REF	B
D	3543471	JAW SET, BW CSG, NRQHP ROD	REF	
E	3546863	BUSHING, GUIDE UPPER HQ	REF	B
F	3543472	JAW SET, NW CSG, HRQHP ROD	REF	
G	3543473	JAW SET, HWT CSG, PQ ROD	REF	

Comments for Page: 3546086 CHUCK ASM, PQ NITROGEN 5-1/16" SPINDLE 01

(#13 3543497)GAS SPRING SEAL KIT P/N 3543498 - (7 REQUIRED)

(#14 3543519)(#15 3543503)(#16 3543505)(#17 3543506)(#19 3543500)(#20 3543501)(#21 3543502)(#25 3543508)SUPPLIED IN CHUCK SEAL KIT # 3543526

(#34 3543876)(#35 3543774)(#A 3546862)(#B 3544188)(#C 3546861)(#D 3543471)(#E 3546863)(#F 3543472)(#G 3543473)NOT SUPPLIED WITH THIS ASSEMBLY - MUST BE ORDERED SEPARATELY

(#34 3543876)Supplied w/Power Unit

LF230 2007-193 Thru Current

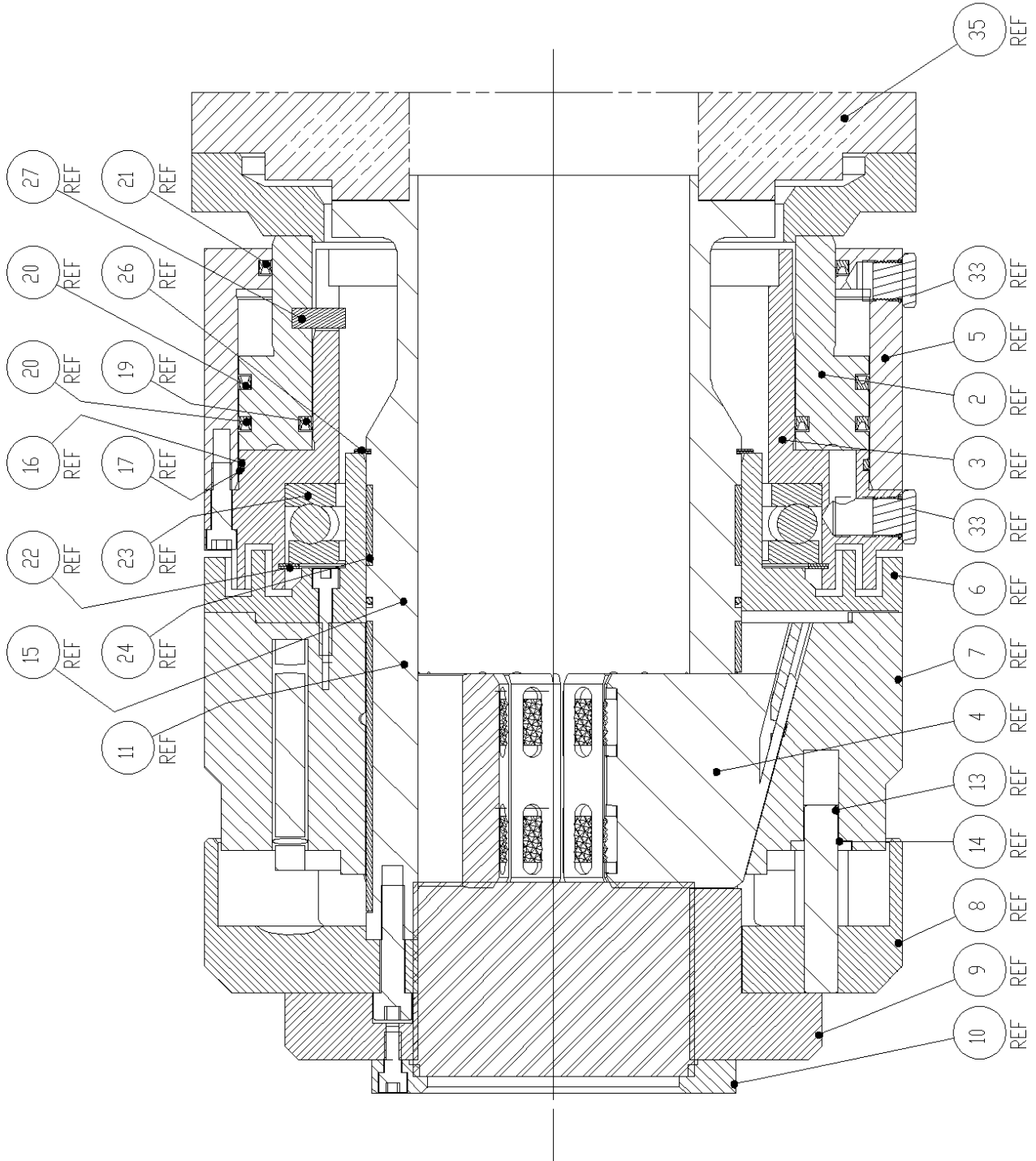
Copyright © 2019 Boart Longyear. All rights reserved.

Boart Longyear is constantly striving to improve its products and must therefore, reserve the right to change designs, materials, specifications and price without notice.



5404800 CHUCK ASM, PQ AFTER 2014

5404800 CHUCK ASM WITH MUD GUARD (S/N 2014-460 & UP)



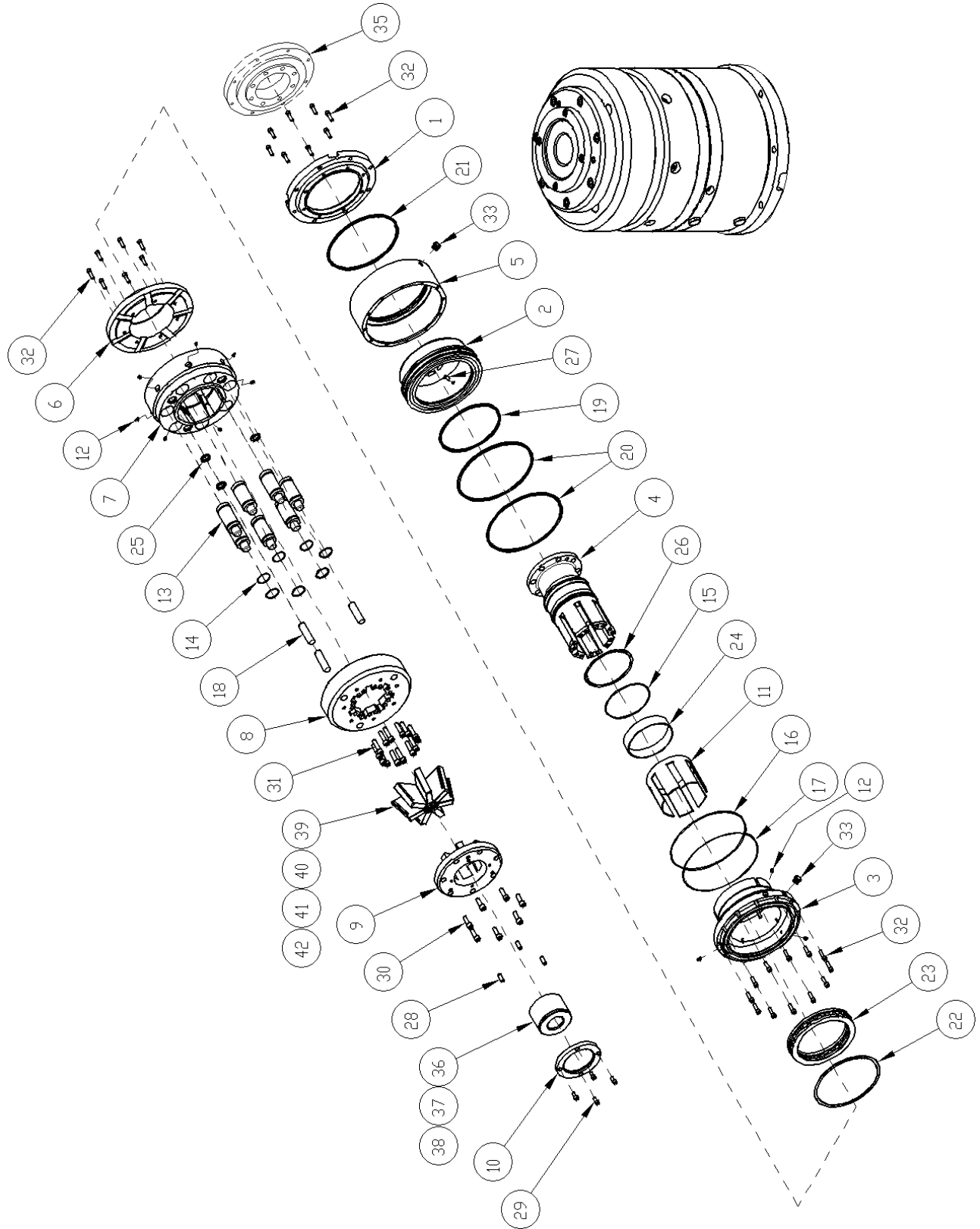
LF230 2007-193 Thru Current

Copyright © 2019 Boart Longyear. All rights reserved.

Boart Longyear is constantly striving to improve its products and must therefore, reserve the right to change designs, materials, specifications and price without notice.



5404800 CHUCK ASM, PQ AFTER 2014



LF230 2007-193 Thru Current

Copyright © 2019 Boart Longyear. All rights reserved.

Boart Longyear is constantly striving to improve its products and must therefore, reserve the right to change designs, materials, specifications and price without notice.



Item	Part No.	Name	Qty	Service
Ref	5404800	NITRO-CHUCK ASM, PQ	1	B
<p>Comments for Part Num. 5404800</p> <p>ALL LF DRILLS MANUFACTURED AFTER 2013 WERE SUPPLIED WITH THIS MODEL OF PQ CHUCK</p> <p>CHUCK SEAL KIT # 3543526</p>				
1	5404326	MOUNTING PLATE, CHUCK	1	C
2	3543479	PISTON, PQ CHUCK NITRO	1	C
3	3543478	INNER CYLINDER, CHUCK NITRO	1	C
4	3546081	SPINDLE, PQ CHUCK 5.06 ID	1	C
5	3543480	CYLINDER, OUTER CHUCK NITRO	1	C
6	3543481	LABRINTH SEAL, CHUCK NITRO	1	C
7	3543515	BOWL, PQ CHUCK NITRO	1	C
8	3546083	RETAINER, SPRING PQ 5.06 ID	1	D
9	3546084	RETAINER, JAW PQ 5.06 ID	1	D
10	3543509	BUSHING, RETAINER GUIDE	1	B
11	3543514	SLEEVE, WEAR SPINDLE UPPER	1	B
12	17447	FITTING, HYD GREASE	10	F
13	5405230	GAS SPRING, NITROGEN	7	B
<p>Comments for Part Num. 5405230</p> <p>SEAL KIT # 5405231</p> <p>SERVICE TOOL KIT # 5404930</p> <p>THIS GAS SPRING REPLACES OLDER VERSION 3543497 SEAL KIT 3543498</p>				
14	3543519	O'RING, GAS SPRING PQ CHUCK	7	A
15	3543503	O'RING, PQ CHUCK SPINDLE	1	A
16	3543505	O-RING, SAE 276 BUNA-N 70D	1	A
17	3543506	RING, BACKUP PQ CHUCK CYLINDER	1	A
18	3543510	PIN, DOWEL 1"DIA X 3-1/2"LG	3	B
19	3543500	CUP SEAL, INNER URETHANE	1	A
20	3543501	CUP SEAL, OUTER URETHANE	2	A
21	3543502	CUP SEAL, PISTON URETHANE	1	A
22	3543499	RING, RETAINING INTERNAL	1	B

LF230 2007-193 Thru Current

Copyright © 2019 Boart Longyear. All rights reserved.

Boart Longyear is constantly striving to improve its products and must therefore, reserve the right to change designs, materials, specifications and price without notice.



5404800 CHUCK ASM, PQ AFTER 2014

Item	Part No.	Name	Qty	Service
23	3543496	BEARING, BALL THRUST	1	B
24	3543507	RING, SPINDLE WEAR LOWER	1	B
25	3543508	SEAL, GUIDE PIN OIL	3	A
26	3543524	RING, RETAINING EXTERNAL	1	B
27	3547565	PIN, 3/8 DIA x 1 LG GROOVED	3	B
28	3543521	SCREW, SET 1/2-13UNC x 1 1/4	3	F
29	44570	C/SCR, SH 3/8 UNC X 3/4 G8	4	F
30	44531	C/SCR, SH 1/2 UNC X 1-1/2 G8	7	F
31	47226	C/SCR, SH 1/2-20UNF x 2 LG	14	F
32	46527	C/SCR, SH 3/8 UNC X 1-1/4 G8	27	F
33	39572	ADAP, HYD HH PLUG 8 ORB	2	F
39	3543494	JAW, BQ PQ-CHUCK	7	B
40	3543291	JAW, NQ PQ-CHUCK	7	B
41	3543290	JAW, HQ PQ-CHUCK	7	B
42	3543289	JAW, PQ PQ-CHUCK	7	B

Comments for Page: 5404800 CHUCK ASM, PQ AFTER 2014

ITEMS 14, 15, 16, 17, 19, 20, 21, 25 SUPPLIED IN CHUCK SEAL KIT # 3543526

ITEMS 34, 35, 39,40,41,42 NOT SUPPLIED WITH THIS ASSEMBLY - MUST BE ORDERED SEPARATELY

LUBRICATE CHUCK WITH ULTRA DUTY GREASE (14 OZ TUBE # 3543876)

LF230 2007-193 Thru Current

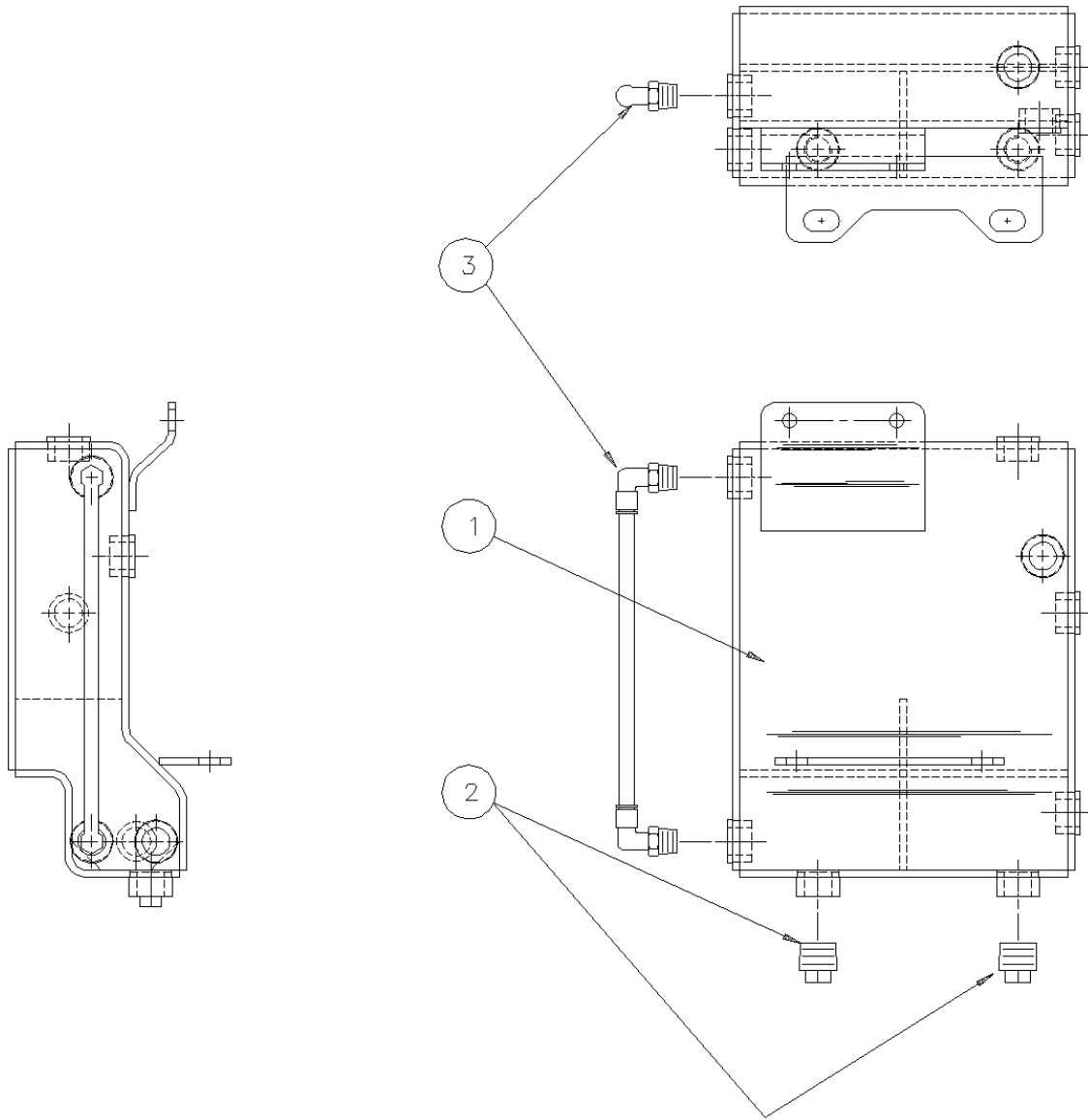
Copyright © 2019 Boart Longyear. All rights reserved.

Boart Longyear is constantly striving to improve its products and must therefore, reserve the right to change designs, materials, specifications and price without notice.



3546873 RESERVOIR, PQ HEAD HYDRAULIC

3546873 RESERVOIR, PQ HEAD HYDRAULIC



NOTE: TANK CAPACITY IS 2.6 GAL. (US)

LF230 2007-193 Thru Current

Copyright © 2019 Boart Longyear. All rights reserved.

Boart Longyear is constantly striving to improve its products and must therefore, reserve the right to change designs, materials, specifications and price without notice.



Item	Part No.	Name	Qty	Service
1	3546874	RESERVOIR, PQ HEAD HYDRAULIC	1	D
Comments for Part Num. 3546874				
ORDER ASSEMBLY P/N 3546873				
2	3540054	PLUG-MAGNETIC PIPE [3/4 NPT]	2	D
3	3541761	GAUGE, SIGHT	1	B

LF230 2007-193 Thru Current

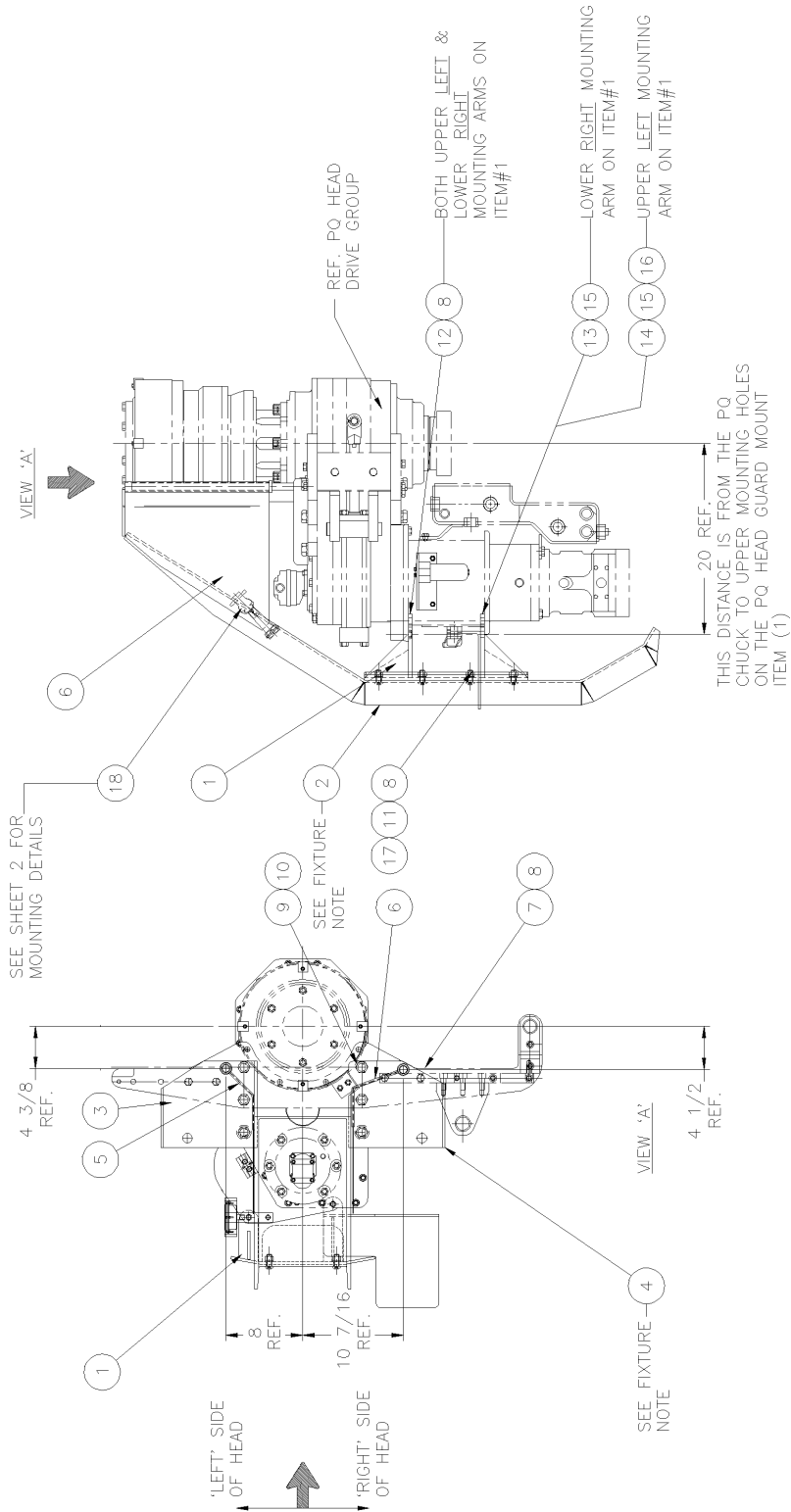
Copyright © 2019 Boart Longyear. All rights reserved.

Boart Longyear is constantly striving to improve its products and must therefore, reserve the right to change designs, materials, specifications and price without notice.



3546708 GUARD GRP, LF230 PQ HEAD

3546708 GUARD GRP, LF230 PQ HEAD



LF230 2007-193 Thru Current

Copyright © 2019 Boart Longyear. All rights reserved.

Boart Longyear is constantly striving to improve its products and must therefore, reserve the right to change designs, materials, specifications and price without notice.



Item	Part No.	Name	Qty	Service
1	3542075	MOUNT, PQ HEAD GUARD	1	D
2	3542076	SLIDE, PQ HEAD GUARD	1	D
3	3546709	STEP, PQ HEAD GUARD LEFT	1	D
4	3546710	STEP, PQ HEAD GUARD RIGHT	1	D
5	3542079	WING, PQ HEAD GUARD LEFT (LEFT)	1	D
6	3542080	WING, PQ HEAD GUARD RIGHT (RIGHT)	1	D
7	44651	C/SCR, HH 1/2 UNC X 2-1/4 G8	4	F
8	102955	L/WASHER, 1/2ID SAE G8	10	F
9	44505	C/SCR, HH 3/4 UNC X 2-1/2 G8	6	F
10	44523	L/WASHER, 3/4 SAE G8	6	F
11	3540856	C/SCR BTN HD SOC 1/2UNCx1-1/4	4	
12	44585	C/SCR, HH 1/2 UNC X 2 G8	2	F
13	3542266	C/SCR, HH 9/16 UNC x 2	1	
14	46088	C/SCR, HH 9/16 UNC x 3	1	F
15	46093	L/WASHER, SPRING 9/16 ID	2	
16	62904	NUT, HEX 9/16 UNC	1	F
17	44525	NUT, HEX 1/2 UNC G8	4	F
18	103010	FASTENER, HOOD	2	D
19	46074	C/SCR, HH 5/16 UNC X 1/2 G8	2	F
20	44610	WASHER, FLAT 5/16 USS G2	2	F
21	3542264	M/SCR, RND HD #10-24 x 1/2	4	
22	3542265	NUT, HEX #10-24 NYLOK	4	

LF230 2007-193 Thru Current

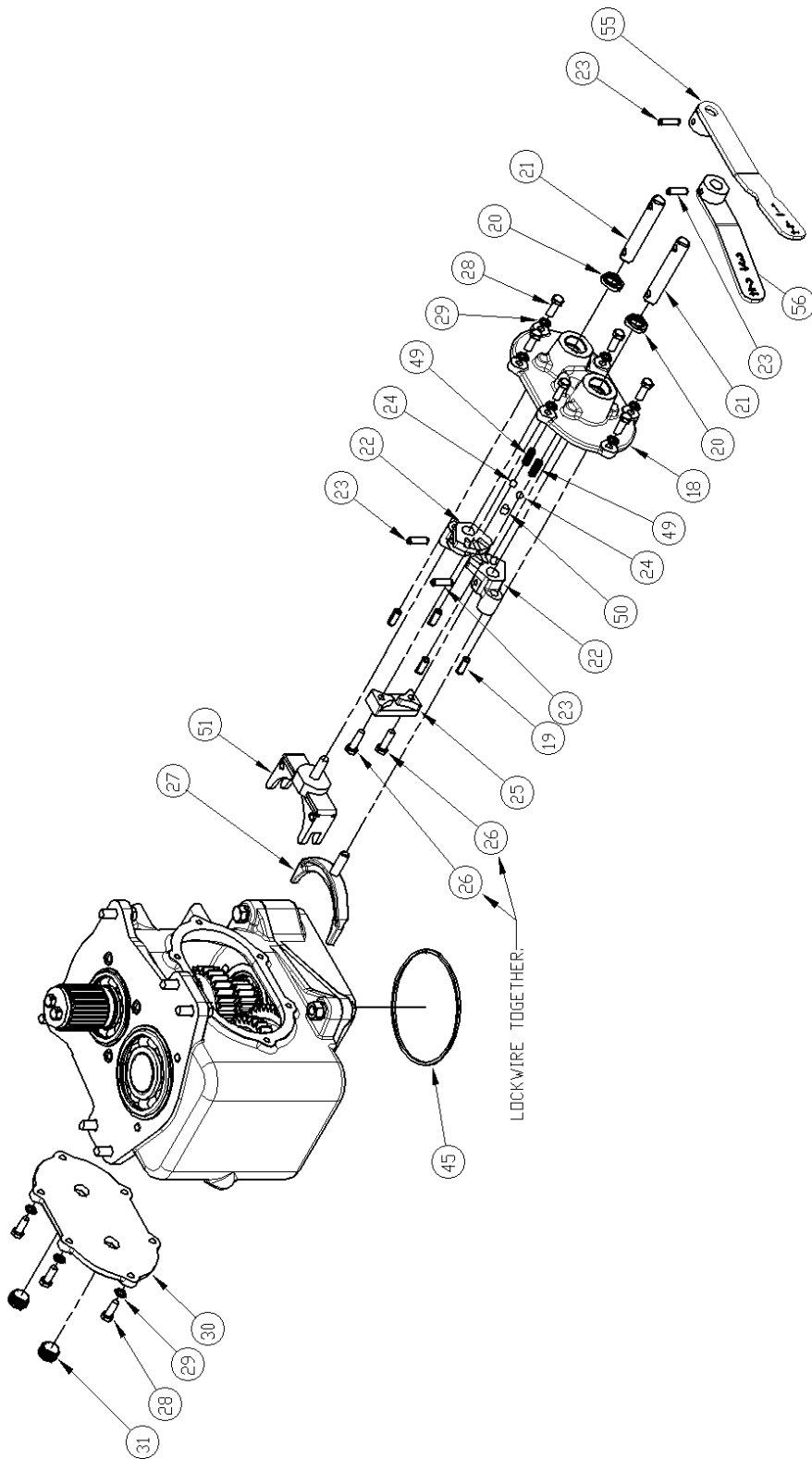
Copyright © 2019 Boart Longyear. All rights reserved.

Boart Longyear is constantly striving to improve its products and must therefore, reserve the right to change designs, materials, specifications and price without notice.



3540635 TRANSMISSION ASM

3540635 TRANSMISSION ASM, 4 SPEED



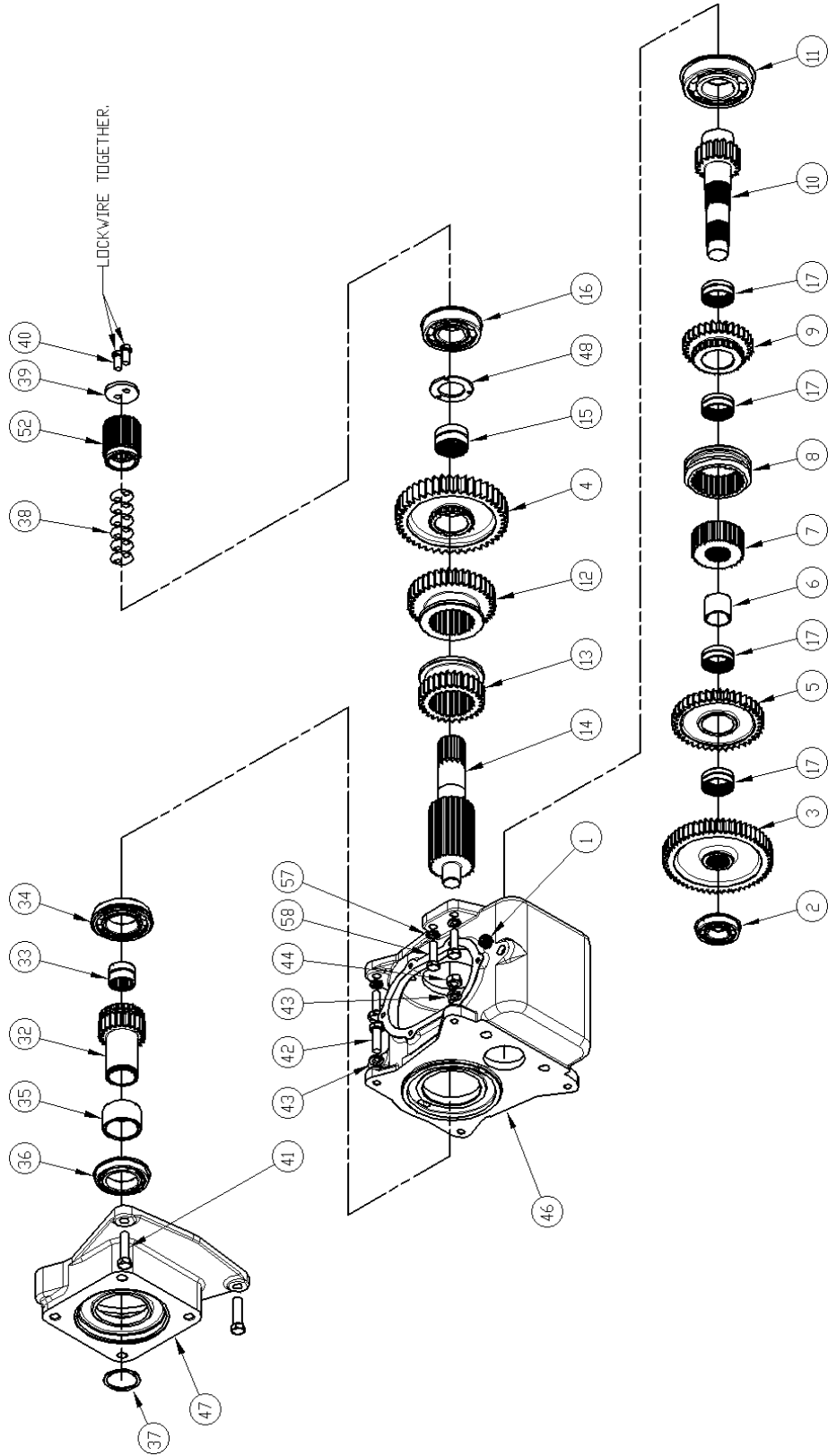
LF230 2007-193 Thru Current

Copyright © 2019 Boart Longyear. All rights reserved.

Boart Longyear is constantly striving to improve its products and must therefore, reserve the right to change designs, materials, specifications and price without notice.



3540635 TRANSMISSION ASM



LF230 2007-193 Thru Current

Copyright © 2019 Boat Longyear. All rights reserved.

Boat Longyear is constantly striving to improve its products and must therefore, reserve the right to change designs, materials, specifications and price without notice.



Item	Part No.	Name	Qty	Service
1	3540641	PIPE PLUG, MAGNETIC	1	D
2	3549020	BEARING, DEEP GROOVE BALL	1	B
3	95356	GEAR, COUNTERSHAFT	1	C
4	95366	GEAR	1	C
5	95362	GEAR	1	C
6	95357	SLEEVE, BEARING	1	B
7	95359	HUB, COLLAR SHAFT	1	C
8	95358	SHIFT COLLAR	1	C
9	95361	GEAR	1	C
10	95360	COUNTERSHAFT	1	C
11	95365	BEARING, DEEP GROVE BALL	1	B
12	95369	GEAR	1	C
13	95370	GEAR	1	C
14	95371	SHAFT, MAIN	1	C
15	95367	ROLLER, NEEDLE	1	A
16	95372	BEARING, DEEP GROOVE BALL	1	B
17	95363	BEARING, NEEDLE ROLLER	4	B
18	95402	COVER, TRANSMISSION SIDE	1	D
19	95410	ROLL PIN	4	B
20	95414	SEAL, OIL	2	B
21	95411	SHAFT, SECTOR	2	C
22	95405	SECTOR, SHIFTER	2	C
23	95413	ROLL PIN	4	B
24	95407	BALL	2	C
25	95406	BLOCK INHIBITOR	1	C
26	95409	C/SCR, HH 3/8-16 UNC x 1-1/4 DRILLED	2	F
27	95403	FORK, SHIFTER	1	C
28	44512	C/SCR, HH 3/8 UNC X 1 G8	12	F
29	96398	WASHER	12	
30	3540642	COVER	1	D
31	28051	PLUG, 3/4 NPT HOLLOW HEX	2	F
32	3540645	GEAR SHAFT, INPUT	1	B

LF230 2007-193 Thru Current

Copyright © 2019 Boart Longyear. All rights reserved.

Boart Longyear is constantly striving to improve its products and must therefore, reserve the right to change designs, materials, specifications and price without notice.



3540635 TRANSMISSION ASM

Item	Part No.	Name	Qty	Service
33	79792	BEARING, NEEDLE ROLLER	1	B
34	95418	BEARING, DEEP GROOVE BALL C/W SNAP RING	1	B
35	95419	SPACER, BEARING	1	B
36	95420	BEARING, DEEP GROOVE BALL	1	B
37	95421	SNAP RING, EXTERNAL	1	B
38	103281	SPACER, SHIM	A/R	B
39	95389	WASHER, SPLINED ADAPTER RETAINER	1	F
40	95390	C/SCR, HH 7/16-20 UNF x 1 DRILLED	2	F
41	46096	C/SCR, HH 9/16-12 UNC x 2-1/4 G8	2	F
42	45906	C/SCR, HH 9/16 -12 UNC x 1-3/4	2	F
43	45784	L/WASHER SPLIT SPRING 9/16	4	F
44	63159	NUT, PLAIN HEX 9/16-12 UNC	2	F
45	3540646	O-RING, SQ SAE 258 BUNA N 70D	1	A
46	5002674	HOUSING, TRANSMISSION REWORKED	1	E
47	3549314	ADAPTER HOUSING, MOTOR	1	C
48	3541202	THRUST WASHER, PQ HEAD	1	B
49	3546620	SPRING, EXTRA HEAVY GREEN DIE	2	A
50	3546622	DISC, TRANSMISSION INTERLOCK	1	A
51	3542442	FORK, EXTENDED SLIDING	1	B
52	3548809	SPLINED ADAPTER	1	B
53	44766	WIRE, .047 DIA SAFETY	A/R	A
54	5402352	GREASE, COUPLING	A/R	F
55	3541838	HANDLE, SHIFTER	1	C
56	3541839	HANDLE, SHIFTER	1	C
57	44521	L/WASHER, 1/2 SAE G8	6	F
58	44640	C/SCR, HH 1/2 UNC X 1-3/4 G8	6	F

Comments for Page: 3540635 TRANSMISSION ASM

OVERHAUL KIT # 3541060

LF230 2007-193 Thru Current

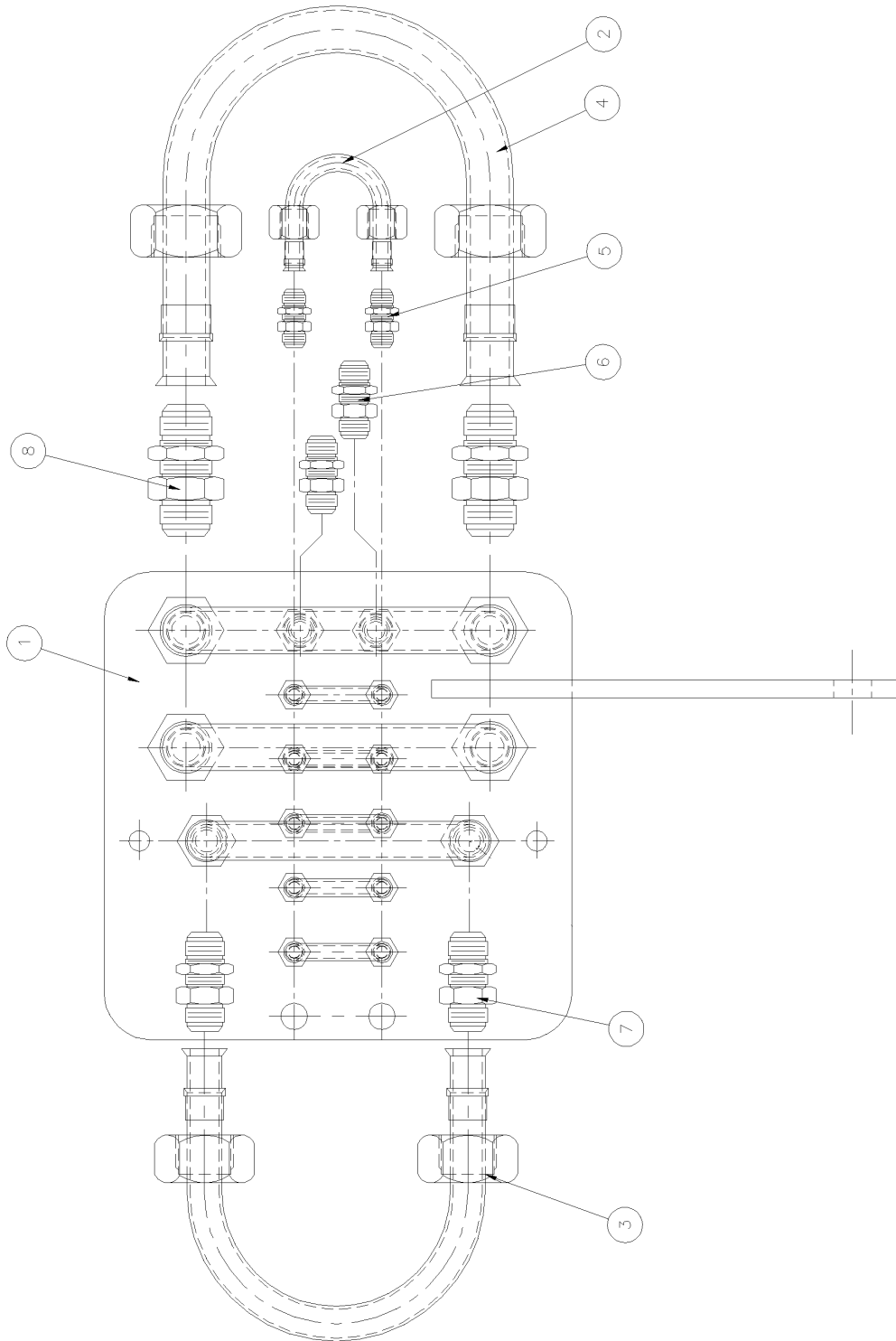
Copyright © 2019 Boat Longyear. All rights reserved.

Boat Longyear is constantly striving to improve its products and must therefore, reserve the right to change designs, materials, specifications and price without notice.



3546647 HANGER ASM, LF230 HOSE PQ HEAD DRIVE MODULE

3546647 HANGER ASM, LF230 HOSE PQ HEAD DRIVE MODULE



LF230 2007-193 Thru Current

Copyright © 2019 Boart Longyear. All rights reserved.

Boart Longyear is constantly striving to improve its products and must therefore, reserve the right to change designs, materials, specifications and price without notice.



Item	Part No.	Name	Qty	Service
1	3546648	BRACKET, LF230 HOSE HANGER	1	D
2	3541154	TUBE ASM, HYD 3/8" OD	5	D
3	3541156	TUBE ASM, HYD 3/4" OD	1	D
4	3541157	TUBE ASM, HYD 1" OD	2	D
5	36516	ADAP, HYD STR BULKHEAD 6 JIC	10	F
6	31185	ADAP, HYD STR BULKHEAD 8 JIC	2	
7	36514	ADAP, HYD STR BULKHEAD 12 JIC	2	
8	36511	ADAP, HYD STR BULKHEAD 16 JIC	4	F

LF230 2007-193 Thru Current

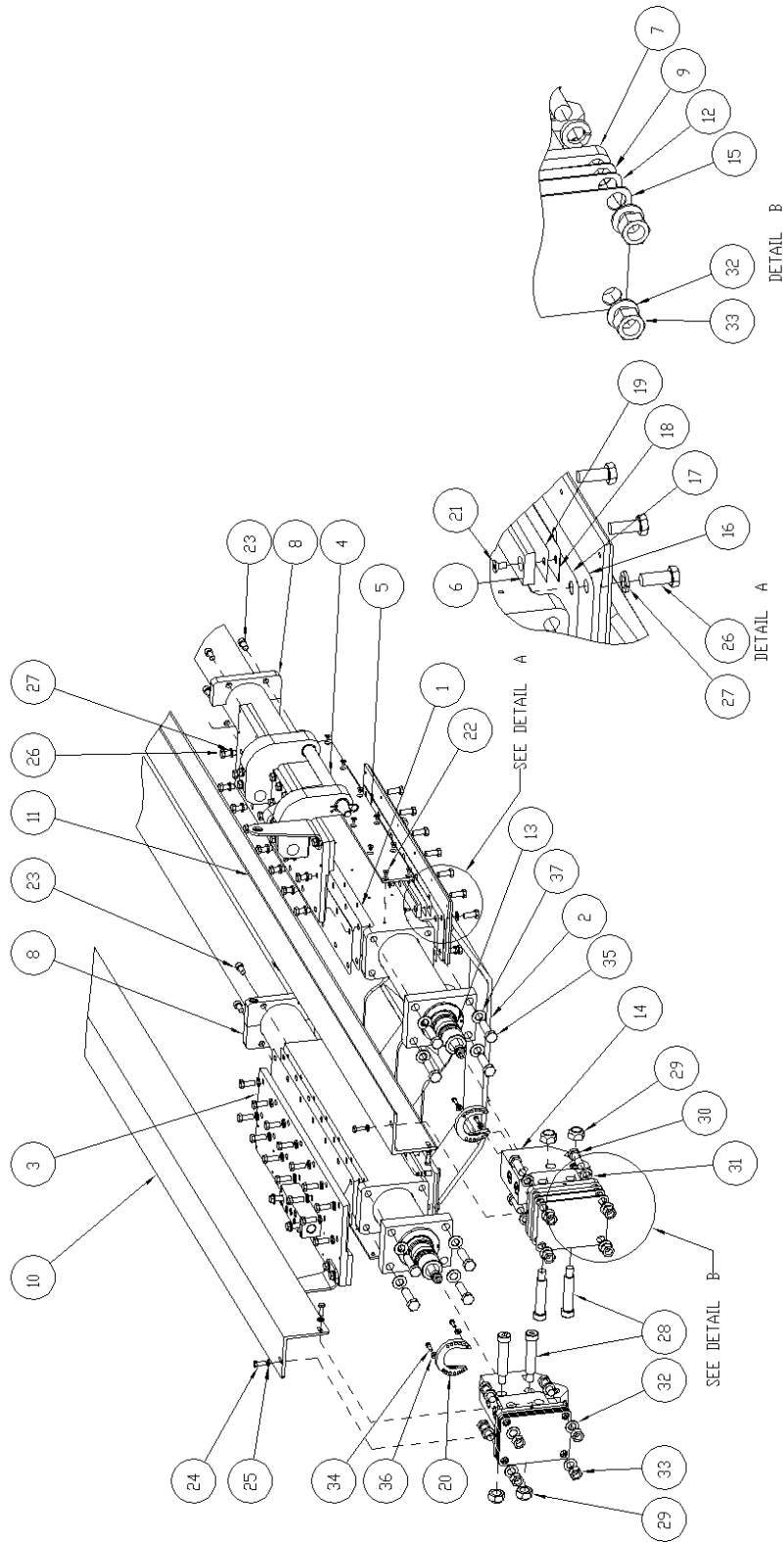
Copyright © 2019 Boart Longyear. All rights reserved.

Boart Longyear is constantly striving to improve its products and must therefore, reserve the right to change designs, materials, specifications and price without notice.



3546603 SLIDE ASM, LF230 PQ HEAD

3546603 SLIDE ASM, LF230 PQ HEAD



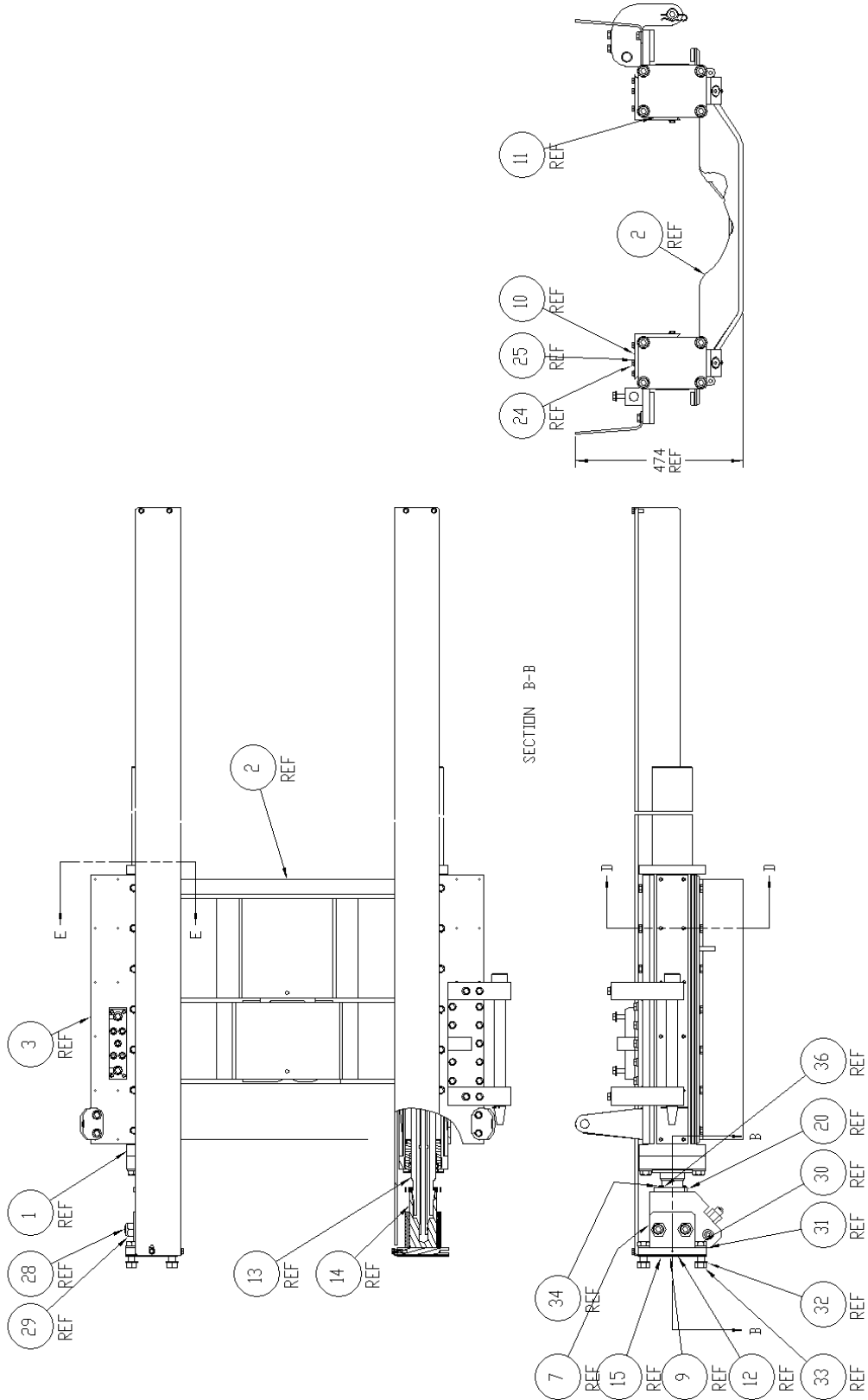
LF230 2007-193 Thru Current

Copyright © 2019 Boart Longyear. All rights reserved.

Boart Longyear is constantly striving to improve its products and must therefore, reserve the right to change designs, materials, specifications and price without notice.



3546603 SLIDE ASM, LF230 PQ HEAD



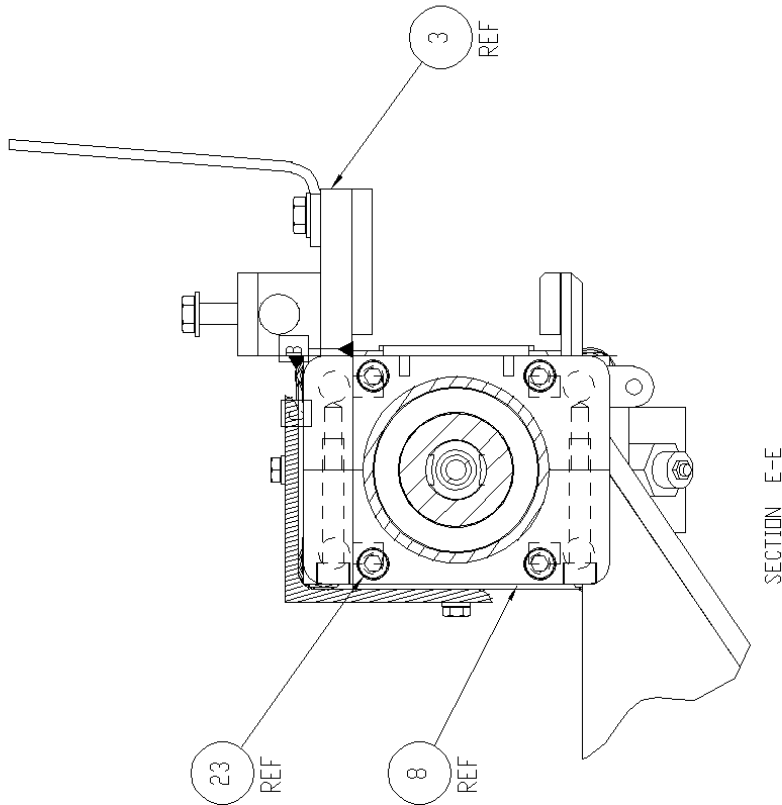
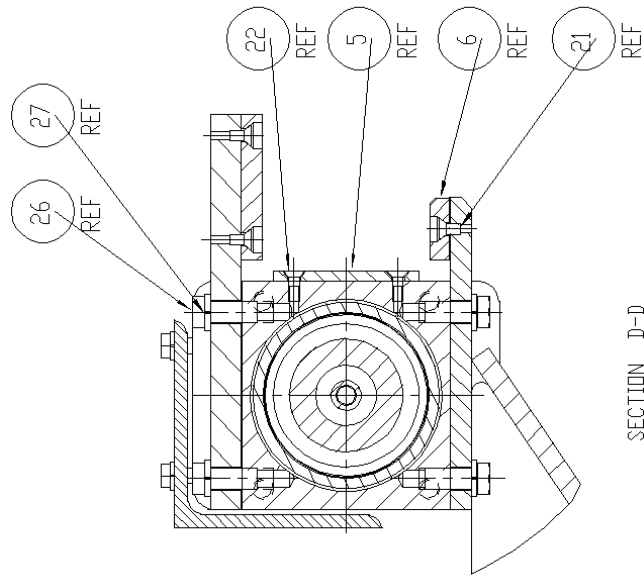
LF230 2007-193 Thru Current

Copyright © 2019 Boart Longyear. All rights reserved.

Boart Longyear is constantly striving to improve its products and must therefore, reserve the right to change designs, materials, specifications and price without notice.



3546603 SLIDE ASM, LF230 PQ HEAD



LF230 2007-193 Thru Current

Copyright © 2019 Boart Longyear. All rights reserved.

Boart Longyear is constantly striving to improve its products and must therefore, reserve the right to change designs, materials, specifications and price without notice.



Item	Part No.	Name	Qty	Service
1	3546391	SUPPORT, SLIDE FRAME CYLINDER	2	D
2	3546604	SUPPORT, PQ HEAD SLIDE	1	D
3	3546634	PLATE ASM, PQ HEAD LH SLIDE	1	D
4	3546615	PLATE ASM, PQ HEAD RH SLIDE	1	D
5	3546618	WEAR STRIP, CENTER	2	B
6	3546619	WEAR STRIP, LOWER	2	B
7	3546608	MOUNT, FEED CYL MANIFOLD	2	D
8	3546605	CLAMP ASM, LF230 FEED CYLINDER	2	D
9	3546643	SHIM, 22 GA FEED CYLINDER	2	D
10	3546609	GUARD, LH FEED CYLINDER	1	D
11	3546610	GUARD, RH FEED CYLINDER	1	D
12	3546641	SHIM, 1/16 THK MANIFOLD MTG	2	D
13	3546100	CYLINDER, FEED 132" STROKE [4" Bore, 2 3/4" Rod]	2	B
Comments for Part Num. 3546100				
CYLINDER SEAL KIT # 3546115				
14	3547769	MANIFOLD ASM, FEED CYLINDER	2	B
Comments for Part Num. 3547769				
COUNTERBALANCE VALVE CARTRIDGE # 104864				
15	3546642	SHIM, 1/8 THK MANIFOLD MTG	2	C
16	3546636	SHIM, .005 HEAD SLIDE	4	C
17	3546637	SHIM, .010 HEAD SLIDE	4	C
18	3546639	SHIM, 28GA (.018) HEAD SLIDE	2	C
19	3546640	SHIM, 30GA (.015) HEAD SLIDE	2	C
20	3546464	RING, FEED CYLINDER ROD LOCKING	2	C
21	102166	M/SCR, FLT HD 1/4UNC X 1/2 BRASS	12	F
22	3540735	M/SCR, SH 1/4 UNC X 3/8	24	B
23	44543	C/SCR, SH 1/2-13 UNC x 1" - [L.C. #90223-109]	8	F
24	44512	C/SCR, HH 3/8 UNC X 1 G8	8	F
25	44520	L/WASHER, 3/8 SAE G8	8	F
26	44530	C/SCR, HH 1/2 UNC X 1-1/4 G8	56	F
27	44521	L/WASHER, 1/2 SAE G8	56	F

LF230 2007-193 Thru Current

Copyright © 2019 Boart Longyear. All rights reserved.

Boart Longyear is constantly striving to improve its products and must therefore, reserve the right to change designs, materials, specifications and price without notice.



Item	Part No.	Name	Qty	Service
28	5003387	SHOULDER SCREW 1" X 4	4	F
29	103146	L/NUT, 1UNC STOVER	4	F
30	44517	C/SCR, HH 3/4 UNC X 2-1/4 G8	8	F
31	44523	L/WASHER, 3/4 SAE G8	8	F
32	44612	WASHER, FLAT 3/4 USS G2	8	F
33	44524	NUT, HEX 3/4 UNC G8	8	F
34	44566	C/SCR, HH 1/4 UNC X 1 G8	4	F
35	44569	C/SCR, HH 3/4 UNC X 2-3/4 G8	8	F
36	46087	WASHER, FLAT 1/4 SAE G8	4	F
37	46091	WASHER, FLAT 3/4 SAE G8	8	F

LF230 2007-193 Thru Current

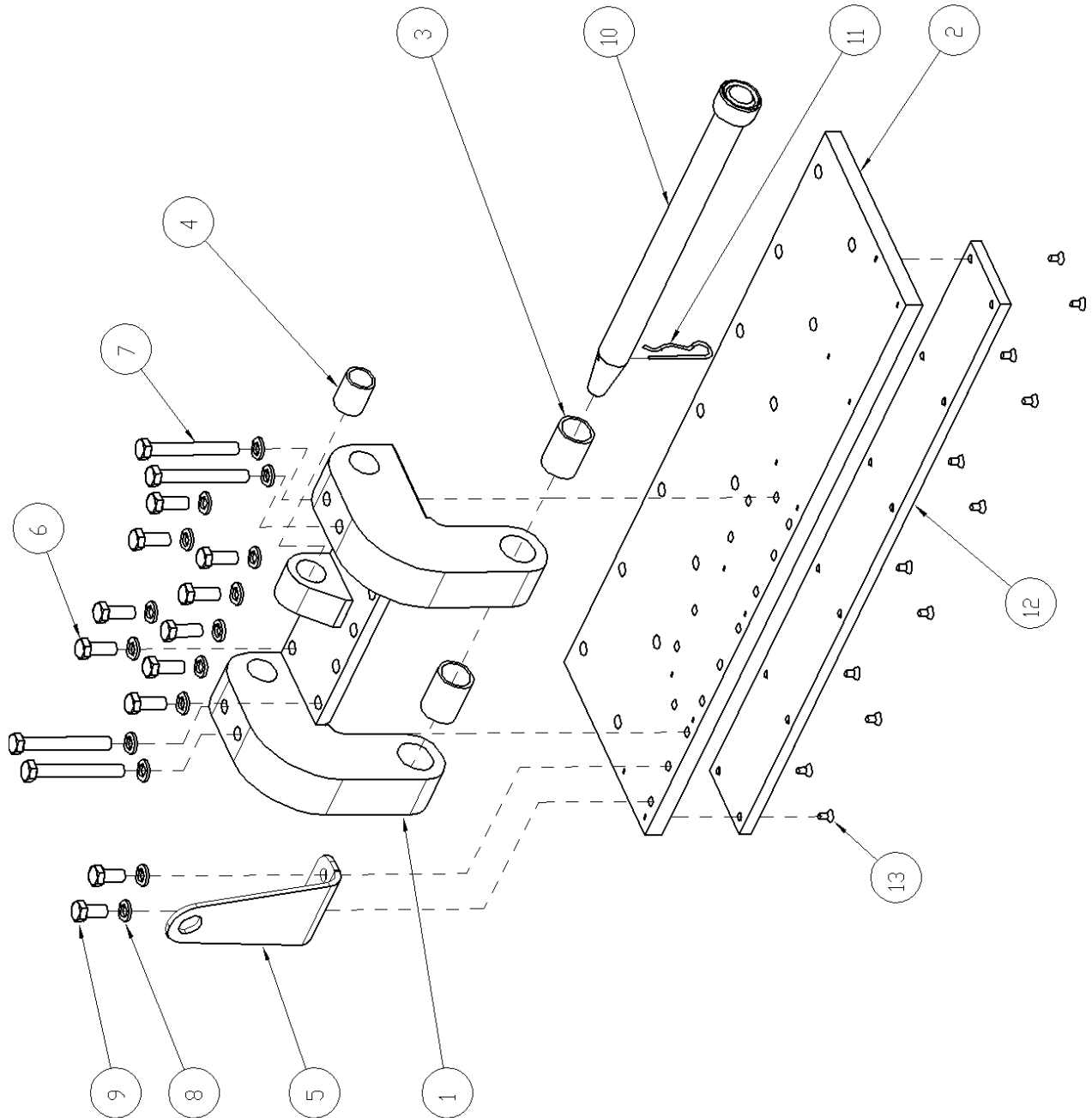
Copyright © 2019 Boart Longyear. All rights reserved.

Boart Longyear is constantly striving to improve its products and must therefore, reserve the right to change designs, materials, specifications and price without notice.



3546615 HINGE ASM, PQ HEAD SLIDE

3546603 SLIDE ASM, LF230 PQ HEAD



LF230 2007-193 Thru Current

Copyright © 2019 Boart Longyear. All rights reserved.

Boart Longyear is constantly striving to improve its products and must therefore, reserve the right to change designs, materials, specifications and price without notice.



Item	Part No.	Name	Qty	Service
1	3546611	HINGE PLATE, RH PQ HEAD	1	C
2	3546614	MTG PLATE, PQ HEAD RH	1	D
3	3546627	BUSHING, 1 1/4 ID x 1 1/2 OD x 2	2	B
4	3546631	BUSHING, 1 ID x 1 1/4 OD x 1 1/2	1	B
5	3546633	LUG, ROD GUARD CABLE	1	D
6	44530	C/SCR, HH 1/2 UNC X 1-1/4 G8	9	F
7	44578	C/SCR, HH 1/2 UNC X 4 G8	4	F
8	44521	L/WASHER, 1/2 SAE G8	15	F
9	44513	C/SCR, HH 1/2 UNC X 1 G8	2	F
10	3546616	PIN, PQ HEAD HINGE	1	B
11	49370	HAIRPIN COTTER, 1"	1	F
12	3546617	WEAR STRIP, PQ HEAD UPPER	1	B
13	102166	M/SCR, FLT HD 1/4UNC X 1/2 BRASS	12	F

LF230 2007-193 Thru Current

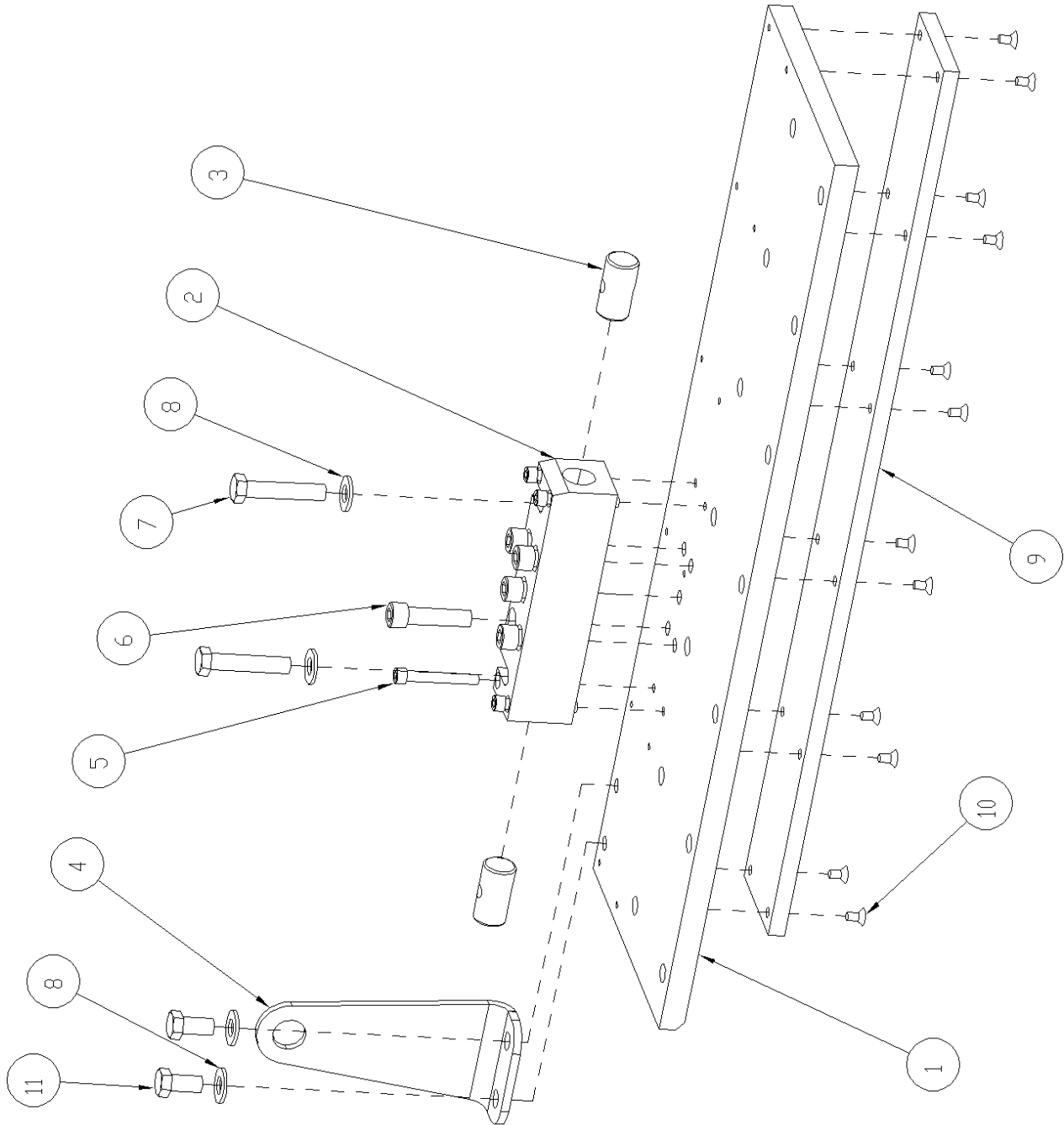
Copyright © 2019 Boart Longyear. All rights reserved.

Boart Longyear is constantly striving to improve its products and must therefore, reserve the right to change designs, materials, specifications and price without notice.



3546634 PLATE ASM, PQ HEAD LH SLIDE

3546603 SLIDE ASM, LF230 PQ HEAD



LF230 2007-193 Thru Current

Copyright © 2019 Boart Longyear. All rights reserved.

Boart Longyear is constantly striving to improve its products and must therefore, reserve the right to change designs, materials, specifications and price without notice.



Item	Part No.	Name	Qty	Service
1	3546612	MTG PLATE, PQ HEAD LH	1	D
2	3540665	BAR, LOCKING	1	B
3	3540666	PIN, LOCKING PIVOT	2	B
4	3546633	LUG, ROD GUARD CABLE	1	D
5	5003388	C/SCR, SH 5/16 UNC X 2-1/4 GR8	4	F
6	47568	C/SCR, SH 1/2 UNC X 2 G8	5	F
7	44547	C/SCR, HH 1/2 UNC X 2-1/2 G8	2	F
8	44621	WASHER, FLAT 1/2 SAE G8	4	F
9	3546617	WEAR STRIP, PQ HEAD UPPER	1	B
10	102166	M/SCR, FLT HD 1/4UNC X 1/2 BRASS	12	F
11	44513	C/SCR, HH 1/2 UNC X 1 G8	2	F

LF230 2007-193 Thru Current

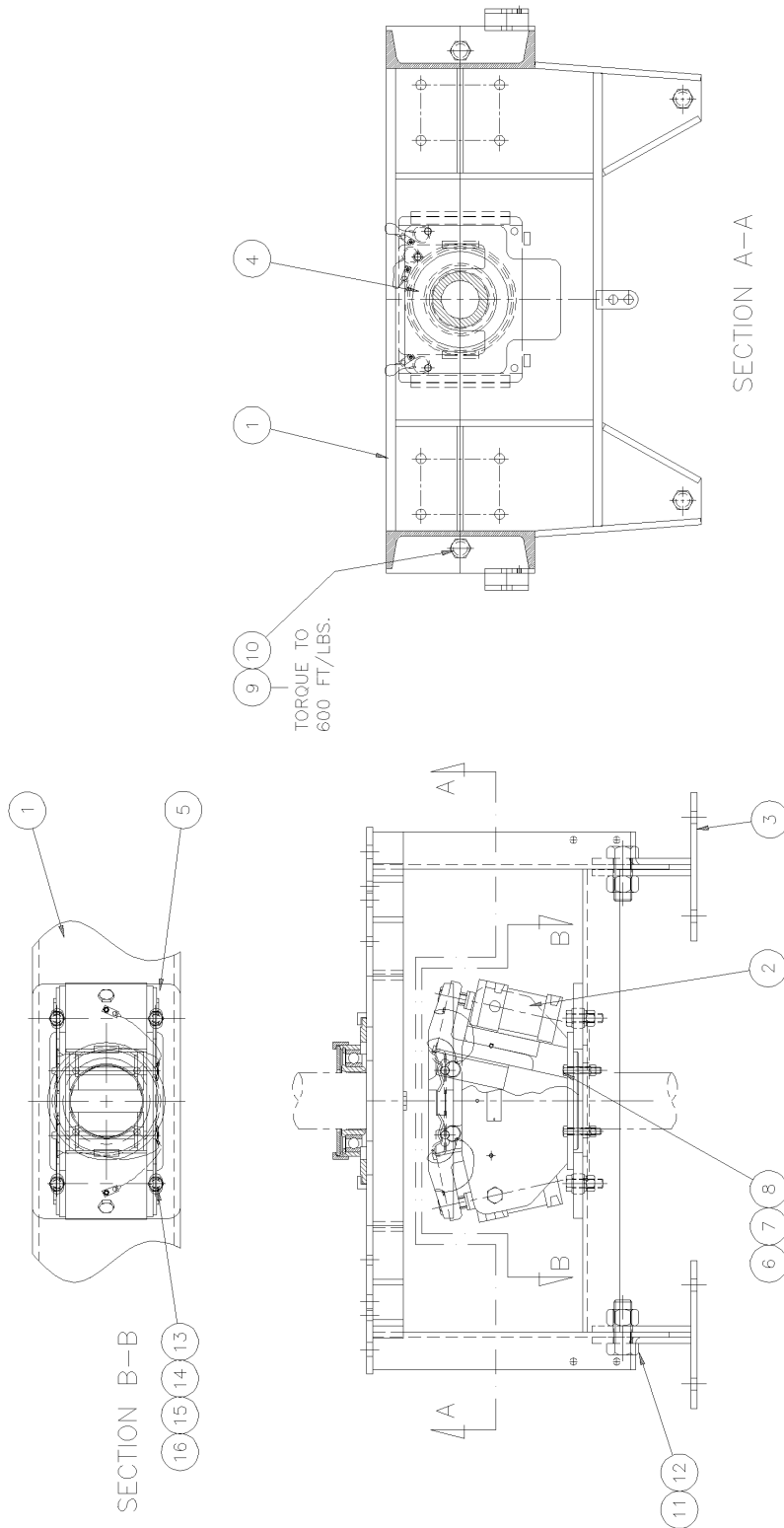
Copyright © 2019 Boart Longyear. All rights reserved.

Boart Longyear is constantly striving to improve its products and must therefore, reserve the right to change designs, materials, specifications and price without notice.



3546820 BASE ASM, ROD CLAMP & MAST LF230

3546820 BASE ASM, ROD CLAMP & MAST LF230



LF230 2007-193 Thru Current

Copyright © 2019 Boat Longyear. All rights reserved.

Boat Longyear is constantly striving to improve its products and must therefore, reserve the right to change designs, materials, specifications and price without notice.



Item	Part No.	Name	Qty	Service
1	3546646	BASE, ROD CLAMP MOUNTING	1	D
2	3540273	CLAMP ASM, ROD HWT	1	C
Comments for Part Num. 3540273 JAW SLIP SETS (SET OF 2 PIECES) MUST ORDER SEPARATELY 41613 BQ 41615 NQ 41617 HQ 50241 HWT CSG 3547272 PW CSG				
3	3546273	FOOT, ROD CLAMP BASE	2	C
4	3542600	BEARING ASM, ROD SUPPORT LF140	1	C
5	3546860	MOUNTING BASE, ROD CLAMP	1	C
6	44532	C/SCR, HH 1/2 UNC X 2-3/4 G8	4	F
7	102955	L/WASHER, 1/2ID SAE G8	4	F
8	44525	NUT, HEX 1/2 UNC G8	4	F
9	48653	C/SCR, HH 1 UNF x 5	4	F
10	102957	WASHER, LOCK 1 ID	4	E
11	3540280	C/SCR, HH 1-1/2 UNC x 3-1/2	2	F
12	3540275	L/NUT, NYLOK 1-1/2 UNC	2	F
13	44505	C/SCR, HH 3/4 UNC X 2-1/2 G8	4	F
14	44524	NUT, HEX 3/4 UNC G8	4	F
15	44612	WASHER, FLAT 3/4 USS G2	8	F
16	44523	L/WASHER, 3/4 SAE G8	4	F

LF230 2007-193 Thru Current

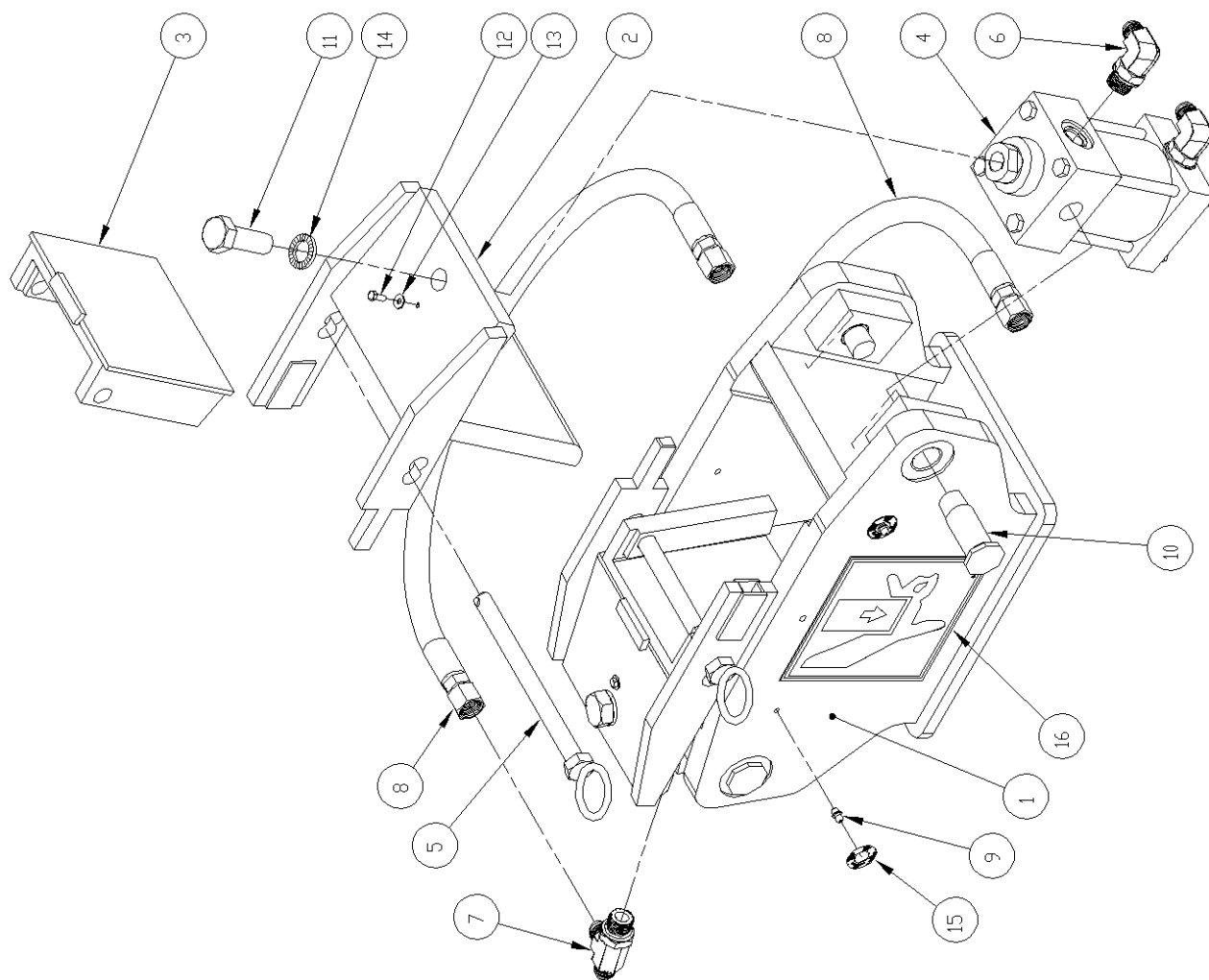
Copyright © 2019 Boart Longyear. All rights reserved.

Boart Longyear is constantly striving to improve its products and must therefore, reserve the right to change designs, materials, specifications and price without notice.



3540273 CLAMP ASM, ROD HWT

3546820 BASE ASM, ROD CLAMP & MAST LF230



LF230 2007-193 Thru Current

Copyright © 2019 Boat Longyear. All rights reserved.

Boat Longyear is constantly striving to improve its products and must therefore, reserve the right to change designs, materials, specifications and price without notice.



3540273 CLAMP ASM, ROD HWT

Item	Part No.	Name	Qty	Service
1	102806	BOWL, ROD CLAMP	1	D
2	5403148	GUIDE WELD'T, FOOTCLAMP	2	D
3	3540049	FOOT CLAMP ADAPTER	2	C
4A	41621	CYLINDER, HYDRAULIC (1" ROD NPT VERSION)	2	B
Comments for Part Num. 41621 CYLINDER SEAL KIT - PARKER VERSION # 43021 - EATON VERSION # 5405754				
4B	5403411	CYLINDER, HYD (1-3/8: ROD ORB VERSION)	2	
Comments for Part Num. 5403411 THIS CYLINDER INTRODUCED INTO PRODUCTION IN 2018 (SEAL KIT # 5406317)				
5	5403458	PIN , FOOTCLAMP	2	B
6	40082	ADAP, HYD 90 8 JIC x 10 ORB	2	F
7	5401957	ADAP, HYD TEE 8 JIC 10 ORB	2	F
8	40096	HOSE ASM, [1/2]ID X 740	2	D
9	17447	FITTING, HYD GREASE	4	F
10	50229	BOLT, TRUNION	4	F
11	43008	C/SCR, HH. 3/4-16 UNF x 2"Lg. 3/4-16 UNF x 2"	2	F
12	44954	SCR, #10 UNC x 1/2 LG	2	F
13	44771	WASHER, FLAT #10 SAE G8	2	F
14	5305846	WASHER, NORD-LOCK 3/4"	2	F
15	24587	DECAL, GREASE (CIRCULAR TYPE)	4	D
16	5404788	DECAL, PINCH POINT (LARGE)	1	D

Comments for Page: 3540273 CLAMP ASM, ROD HWT

HYDRAULIC ADAPTERS SHOW ARE O RING BOSS (PRODUCTION UPDATE FOR NEW ORB CYLINDERS 2018)

LF230 2007-193 Thru Current

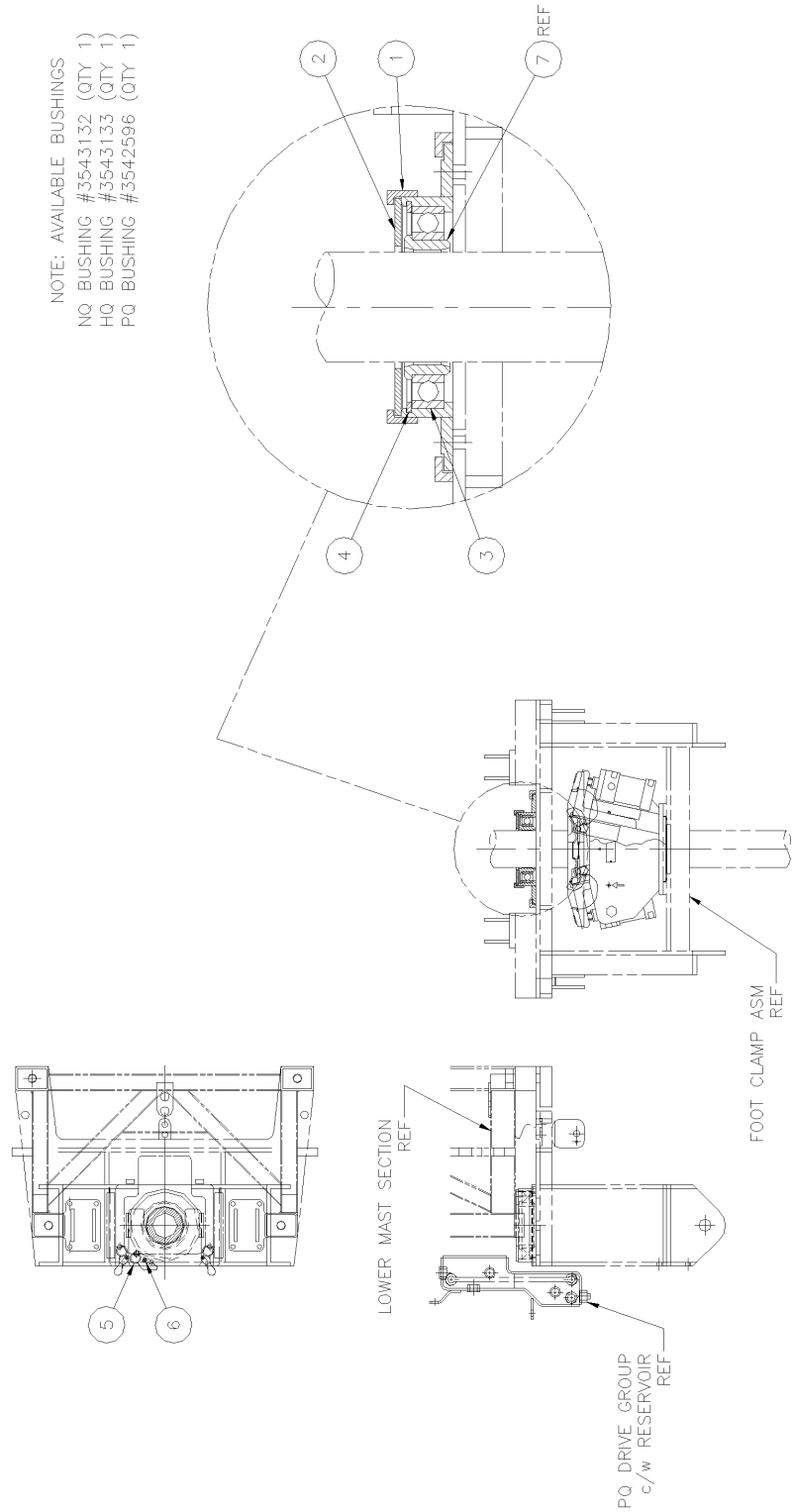
Copyright © 2019 Boart Longyear. All rights reserved.

Boart Longyear is constantly striving to improve its products and must therefore, reserve the right to change designs, materials, specifications and price without notice.



3542600 BEARING ASM, ROD SUPPORT LF140

3546820 BASE ASM, ROD CLAMP & MAST LF230



LF230 2007-193 Thru Current

Copyright © 2019 Boart Longyear. All rights reserved.

Boart Longyear is constantly striving to improve its products and must therefore, reserve the right to change designs, materials, specifications and price without notice.



Item	Part No.	Name	Qty	Service
1	3542595	HOUSING, BEARING SUPPORT	1	C
2	3542598	KEEPER, BUSHING	1	C
3	3543208	BEARING, BALL SINGLE DEEP GROOVE	1	C
4	3543210	RING, RETAINING	1	C
5	3543252	PIN, QUICK RELEASE	3	C
6	44539	M/SCR, #10UNC x 3/8 LG	3	F
7	SEE BELOW	BUSHING, ROD SUPPORT	REF	

LF230 2007-193 Thru Current

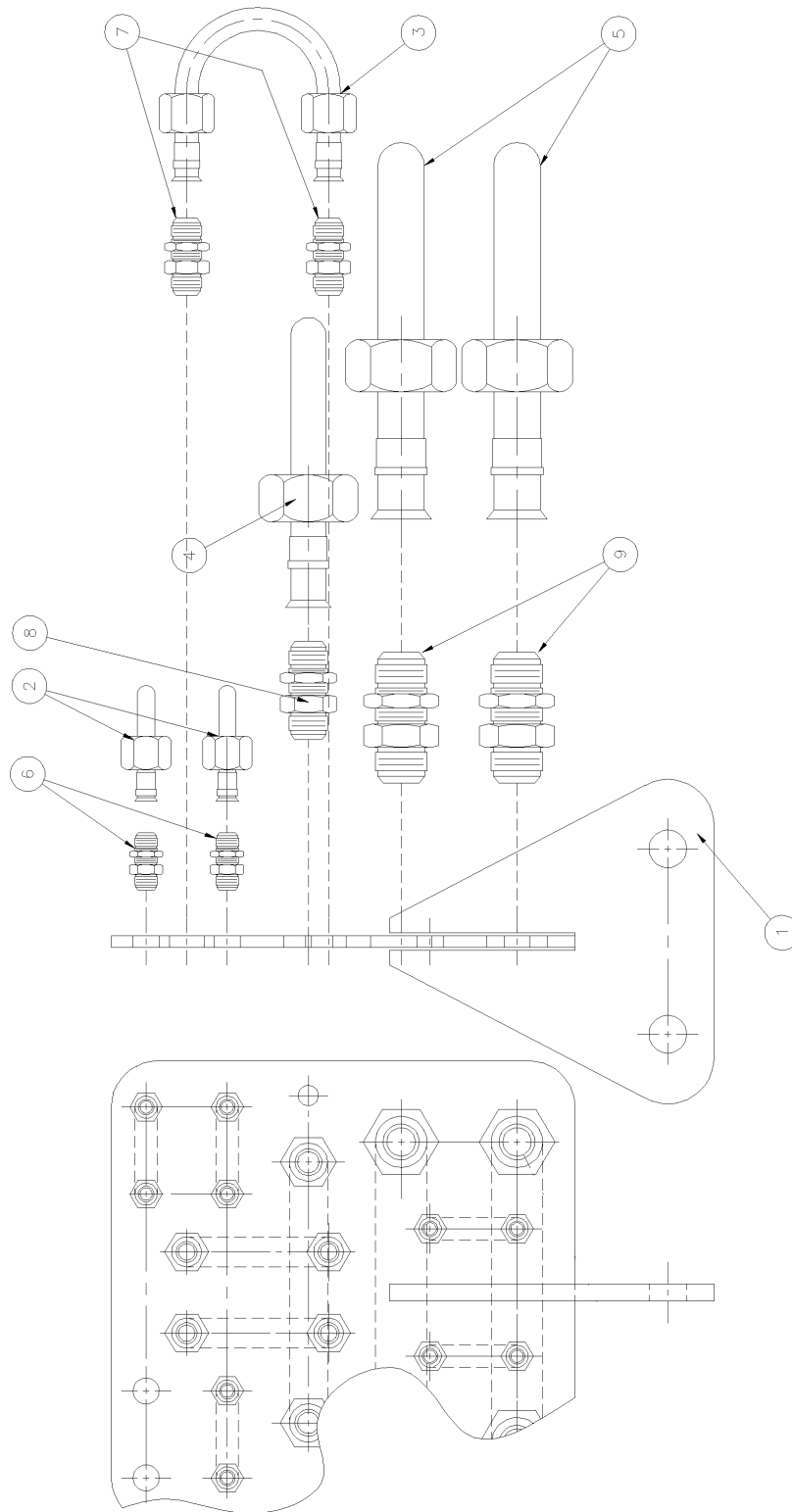
Copyright © 2019 Boart Longyear. All rights reserved.

Boart Longyear is constantly striving to improve its products and must therefore, reserve the right to change designs, materials, specifications and price without notice.



3541161 HOSE HANGER, MAST SUB-ASM LF140/230

3541161 HOSE HANGER, MAST SUB-ASM LF140/230



LF230 2007-193 Thru Current

Copyright © 2019 Boart Longyear. All rights reserved.

Boart Longyear is constantly striving to improve its products and must therefore, reserve the right to change designs, materials, specifications and price without notice.



Item	Part No.	Name	Qty	Service
1	3541158	BRACKET, HOSE HANGER(MAST)	1	D
2	3541154	TUBE ASM, HYD 3/8" OD	5	D
3	3541155	TUBE ASM, HYD 1/2" OD	2	D
4	3541156	TUBE ASM, HYD 3/4" OD	1	D
5	3541157	TUBE ASM, HYD 1" OD	2	D
6	36516	ADAP, HYD STR BULKHEAD 6 JIC	10	F
7	31185	ADAP, HYD STR BULKHEAD 8 JIC	4	
8	36514	ADAP, HYD STR BULKHEAD 12 JIC	2	
9	36511	ADAP, HYD STR BULKHEAD 16 JIC	4	F

LF230 2007-193 Thru Current

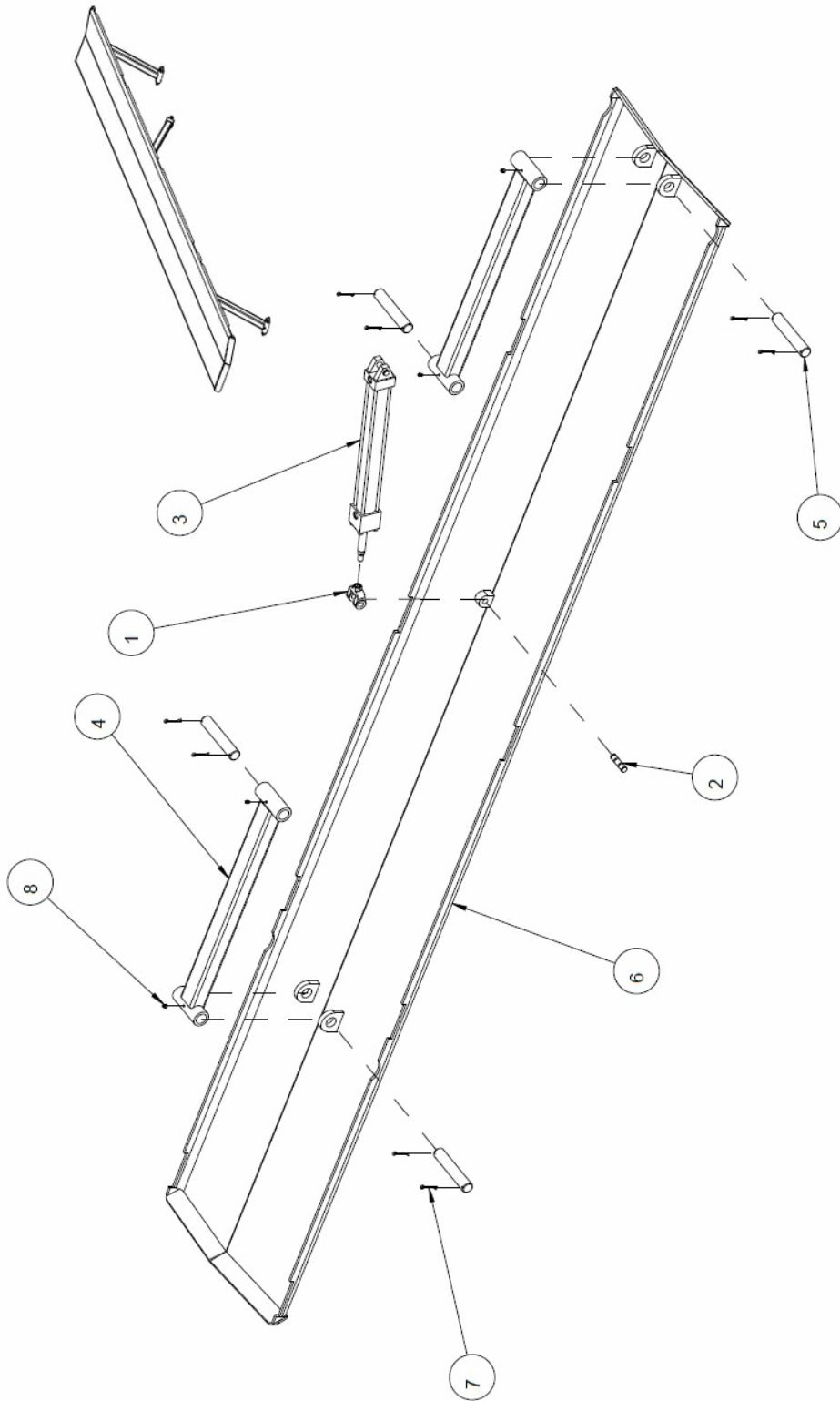
Copyright © 2019 Boart Longyear. All rights reserved.

Boart Longyear is constantly striving to improve its products and must therefore, reserve the right to change designs, materials, specifications and price without notice.



3546606 TRAY ASM, LF230 ROD SLIDE

3546606 TRAY ASM, LF230 ROD SLIDE



LF230 2007-193 Thru Current

Copyright © 2019 Boart Longyear. All rights reserved.

Boart Longyear is constantly striving to improve its products and must therefore, reserve the right to change designs, materials, specifications and price without notice.



Item	Part No.	Name	Qty	Service
1	62481	CLEVIS, HYD. CYL. FEMALE ROD	1	D
2	3540775	PIN, REWORK HYD. CYL.	1	C
3	3540776	CYLINDER, HYD ROD SLIDE	1	C
Comments for Part Num. 3540776				
SEAL KIT # 5404567				
4	3540777	BRACE, ROD SLIDE TRAY	2	D
5	3540778	PIN, BRACE ROD SLIDE TRAY	4	C
6	3546607	TRAY, LF230 ROD SLIDE	1	C
7	44881	PIN, COTTER 1/8 X 2-1/4 LG	8	F
8	28281	FITTING, GREASE Dia1/4-28 UNF	4	F

LF230 2007-193 Thru Current

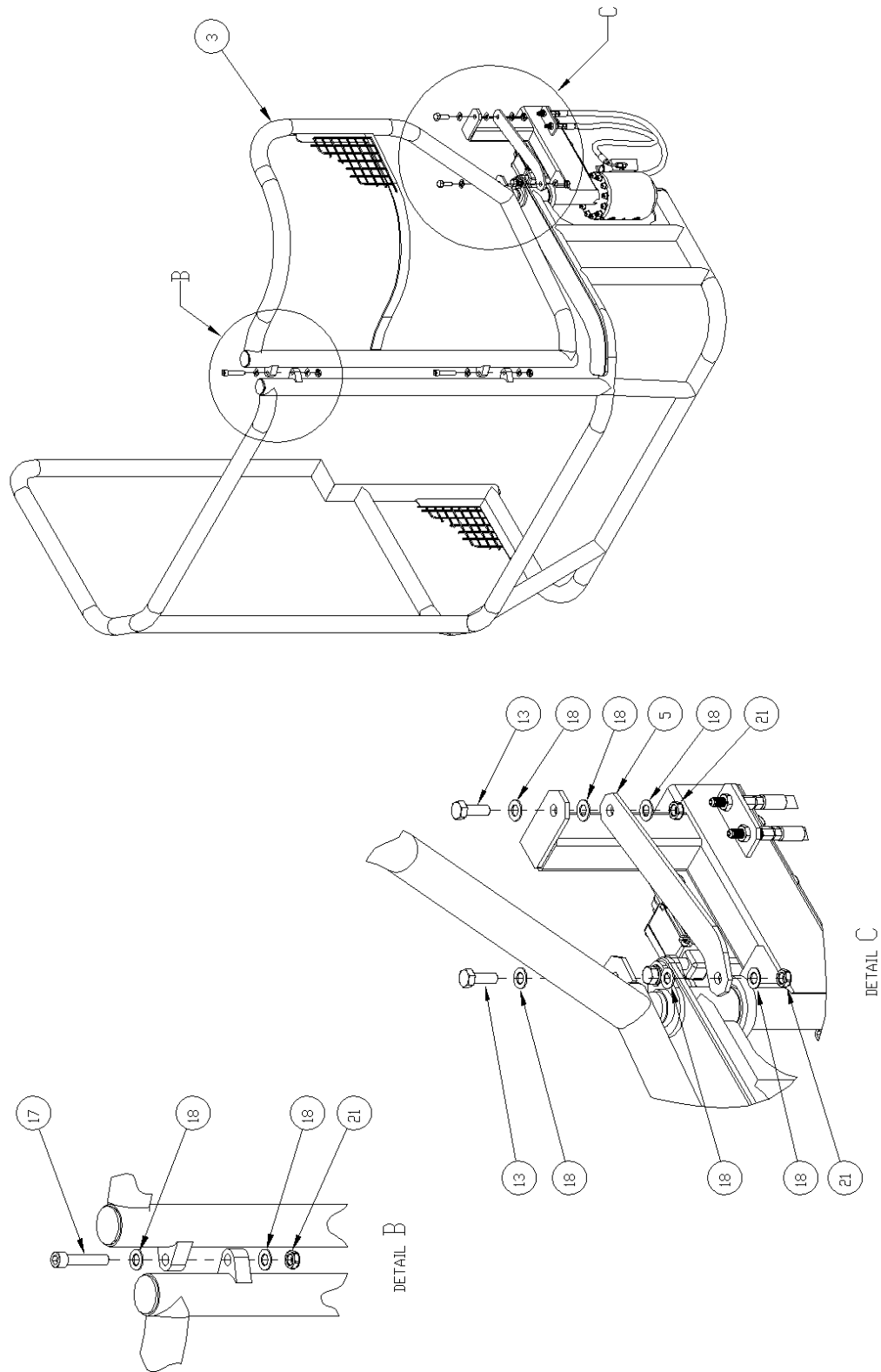
Copyright © 2019 Boart Longyear. All rights reserved.

Boart Longyear is constantly striving to improve its products and must therefore, reserve the right to change designs, materials, specifications and price without notice.



5404297 ROTATION BARRIER ASM

ROTATION BARRIER ASM, HYDRAULIC



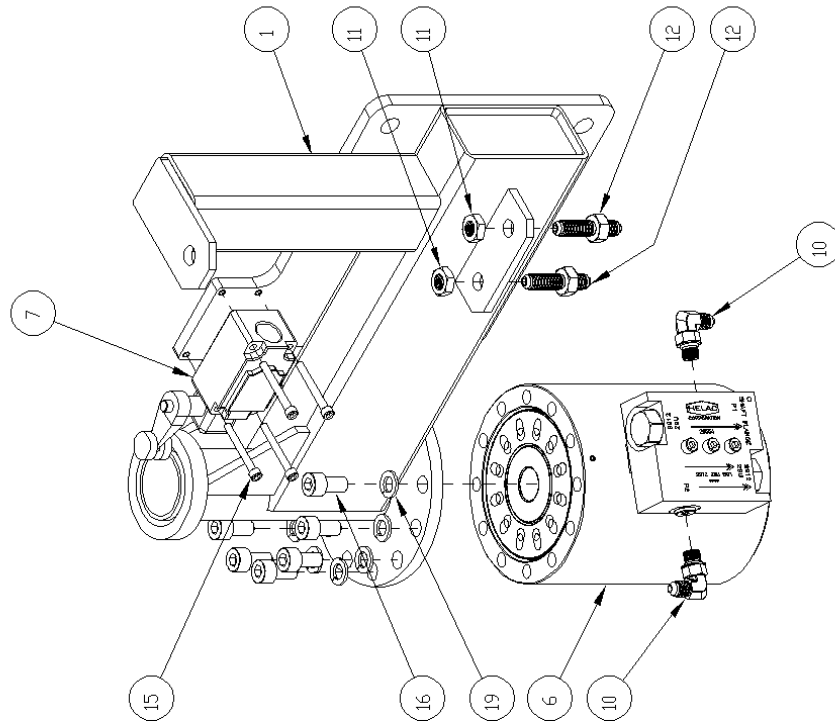
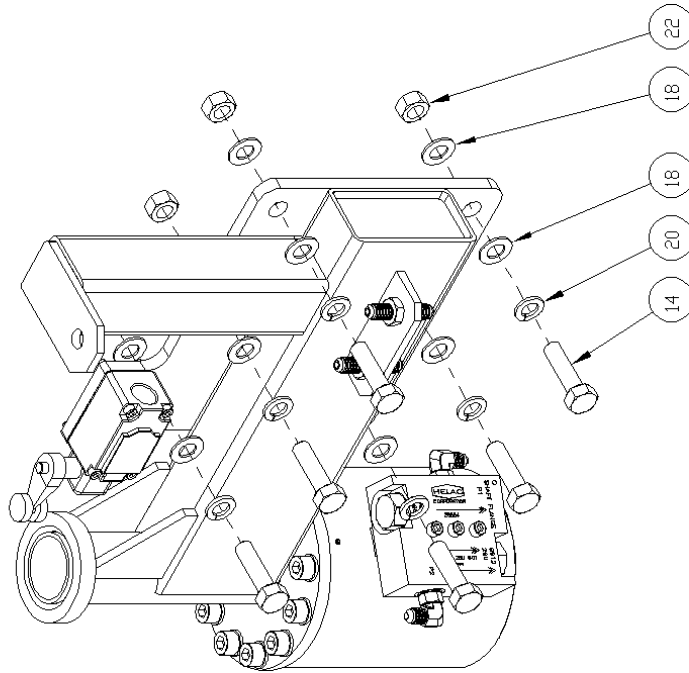
LF230 2007-193 Thru Current

Copyright © 2019 Boart Longyear. All rights reserved.

Boart Longyear is constantly striving to improve its products and must therefore, reserve the right to change designs, materials, specifications and price without notice.



5404297 ROTATION BARRIER ASM



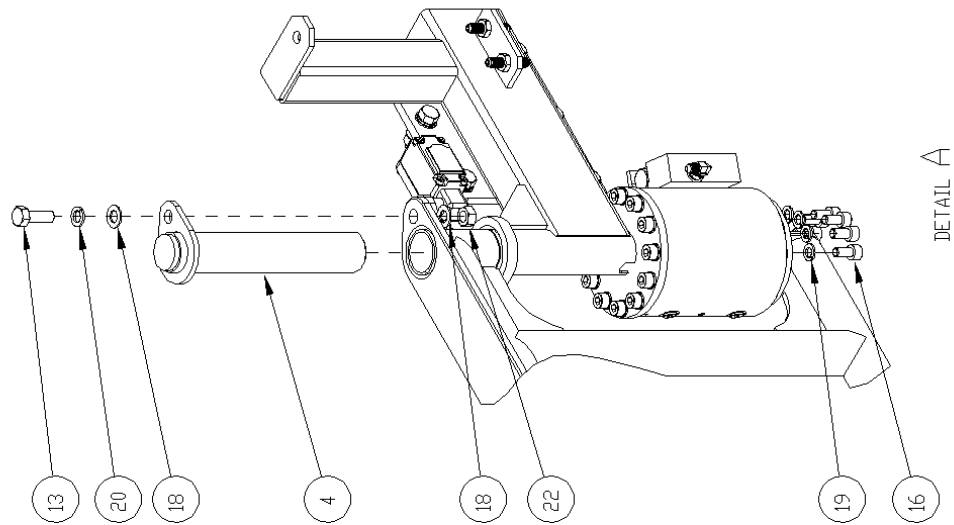
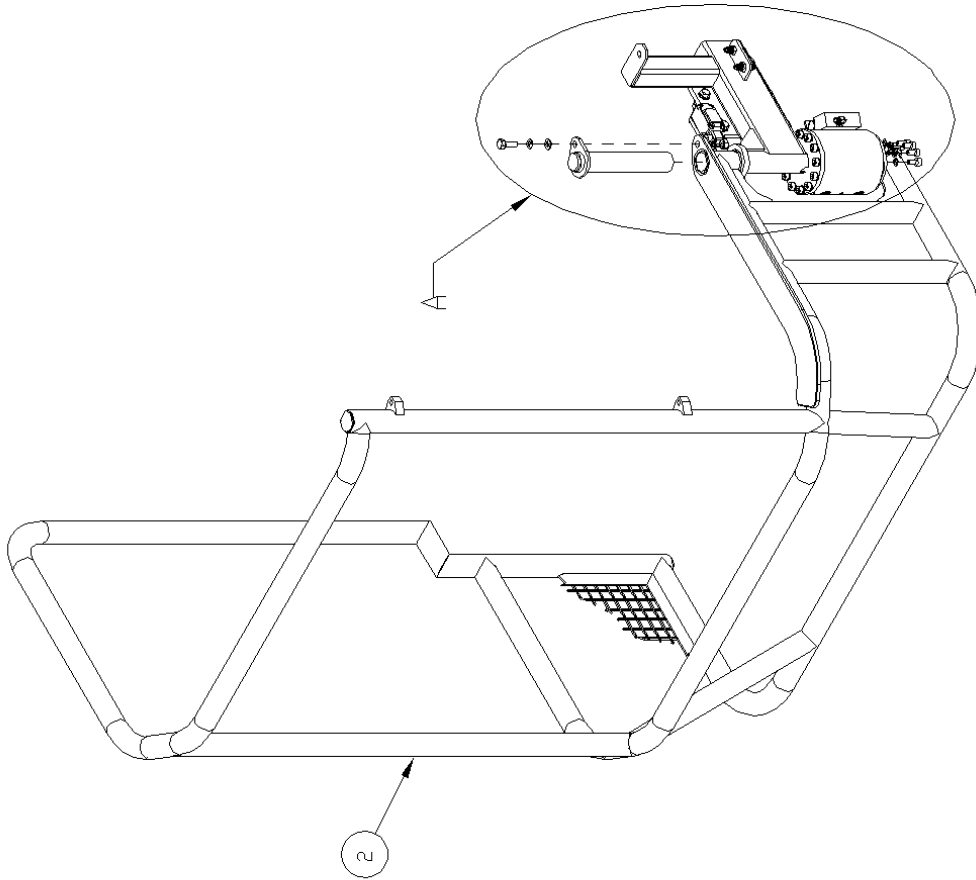
LF230 2007-193 Thru Current

Copyright © 2019 Boart Longyear. All rights reserved.

Boart Longyear is constantly striving to improve its products and must therefore, reserve the right to change designs, materials, specifications and price without notice.



5404297 ROTATION BARRIER ASM



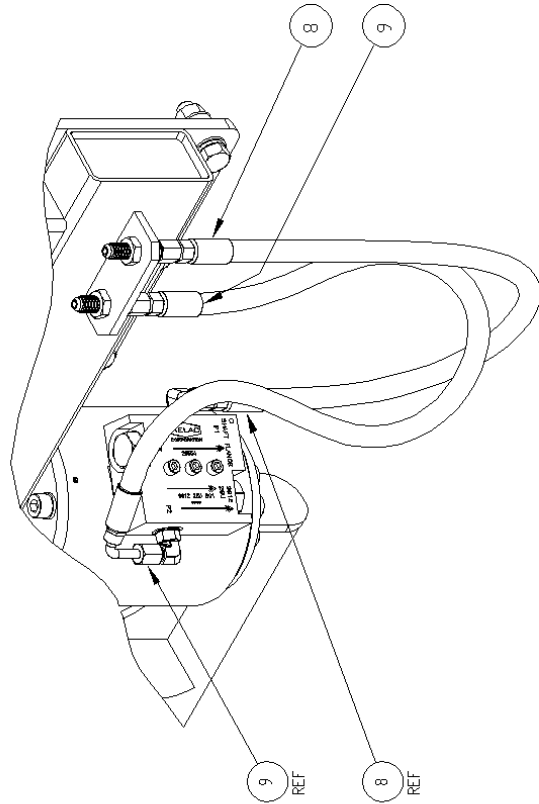
LF230 2007-193 Thru Current

Copyright © 2019 Boart Longyear. All rights reserved.

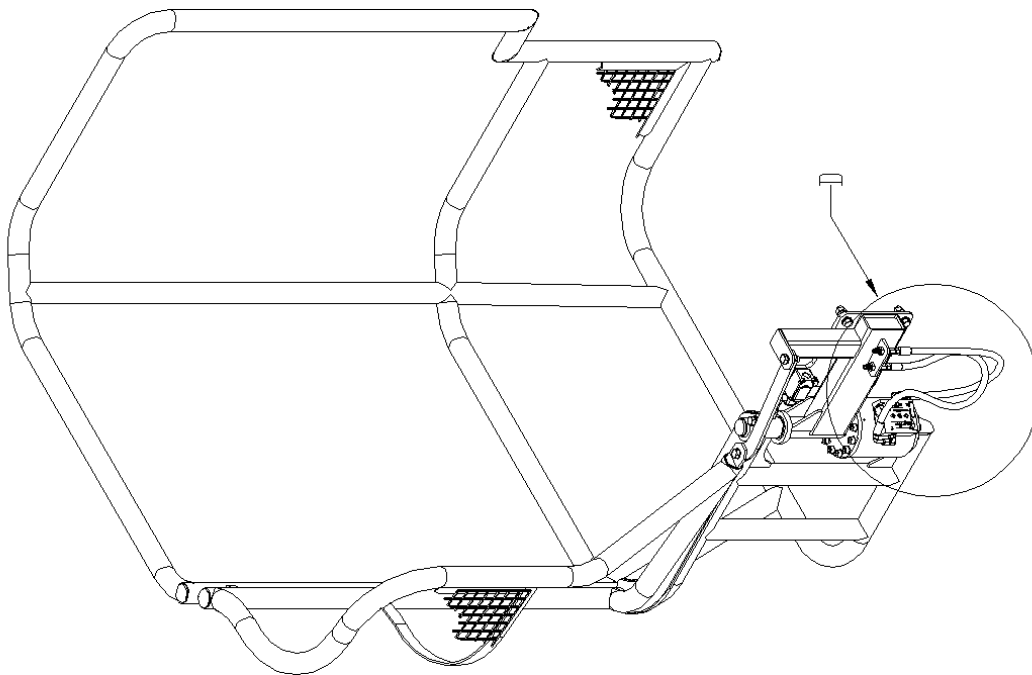
Boart Longyear is constantly striving to improve its products and must therefore, reserve the right to change designs, materials, specifications and price without notice.



5404297 ROTATION BARRIER ASM



DETAIL D



LF230 2007-193 Thru Current

Copyright © 2019 Boat Longyear. All rights reserved.

Boat Longyear is constantly striving to improve its products and must therefore, reserve the right to change designs, materials, specifications and price without notice.



Item	Part No.	Name	Qty	Service
1	5003554	SUPPORT, ROTATION BARRIER	1	D
2	5003568	BARRIER, ROTATION	1	D
3	5003583	BARRIER, SPRUNG	1	D
4	5003574	PIN, ROTATION BARRIER	1	C
5	5400321	LINKAGE	1	D
6	5000327	ACTUATOR, 180 DEG HELAC	1	D
7	3541214	SWITCH, LIMIT	1	B
8	36400	HOSE ASM, 1/4 I.D. x 30" LG.	1	D
9	63262	HOSE ASM, #4 SAE x31" LG	1	D
10	37015	ADAP, HYD 90 4JIC 4ORB	2	F
11	33879	ADAP, HYD LOCK NUT 04JIC	2	F
12	37757	ADAP, HYD STR 4JIC B/HEAD	2	
13	68919	C/SCR, HH M12 X 1.75 X 35 G8.8	3	F
14	68921	C/SCR, HH M12 X 1.75 X 45 G8.8	6	
15	3540014	C/SCR, SH 10 UNC X 1 3/4 G8	4	F
16	93341	C/SCR, SH M10-1.5 x 20 GR12.9	20	F
17	93187	C/SCR, SH M12 x 1.75 x 60	2	F
18	93253	WASHER, FLAT M12 SAE G2	24	F
19	93128	L/WASHER, SPRING M10	20	F
20	93129	L/WASHER, SPLIT SPRING M12	7	F
21	67605	L/NUT, NYLOK THIN M12 X 1.75 GR8.8 ZP	4	F
22	93116	NUT, HEX M12-1.75 CL8	7	F

LF230 2007-193 Thru Current

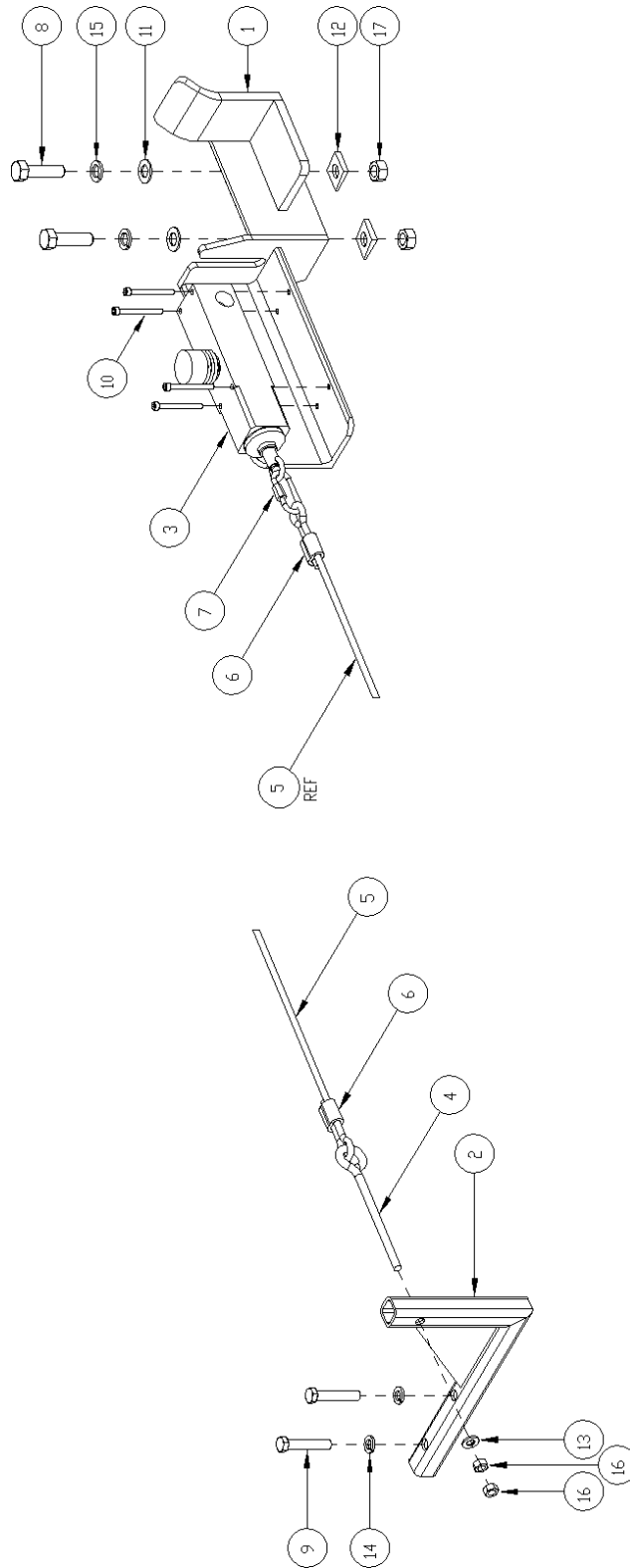
Copyright © 2019 Boart Longyear. All rights reserved.

Boart Longyear is constantly striving to improve its products and must therefore, reserve the right to change designs, materials, specifications and price without notice.



5404298 E STOP SUB ASSEMBLY

ROTATION BARRIER ASM, HYDRAULIC



LF230 2007-193 Thru Current

Copyright © 2019 Boart Longyear. All rights reserved.

Boart Longyear is constantly striving to improve its products and must therefore, reserve the right to change designs, materials, specifications and price without notice.



Item	Part No.	Name	Qty	Service
1	5003594	STRIKER, ROTATION BARRIER	1	D
2	3548445	BRACKET, TRIP WIRE	1	D
3	3549005	SWITCH, SAFETY PULL CORD	1	B
4	3549184	EYEBOLT, 5/16 - 18 UNC x 6	1	F
5	3549186	WIRE, 3/16 PVC COATED	1	E
6	3549187	SLEEVE, 1/8 OVAL	2	D
7	3549183	LINK, 3/16 QUICK	1	D
8	68921	C/SCR, HH M12 X 1.75 X 45 G8.8	2	
9	44600	C/SCR, HH 3/8 UNC X 2 G8	2	F
10	51784	C/SCR, SH #10 UNC X 2 G8	4	F
11	93253	WASHER, FLAT M12 SAE G2	2	F
12	5003623	WASHER, M12 BEVEL	2	F
13	46510	WASHER, FLAT 5/16 SAE G8	1	F
14	44520	L/WASHER, 3/8 SAE G8	2	F
15	93129	L/WASHER, SPLIT SPRING M12	2	F
16	44552	NUT, HEX 5/16 UNC G8	2	F
17	93116	NUT, HEX M12-1.75 CL8	2	F

LF230 2007-193 Thru Current

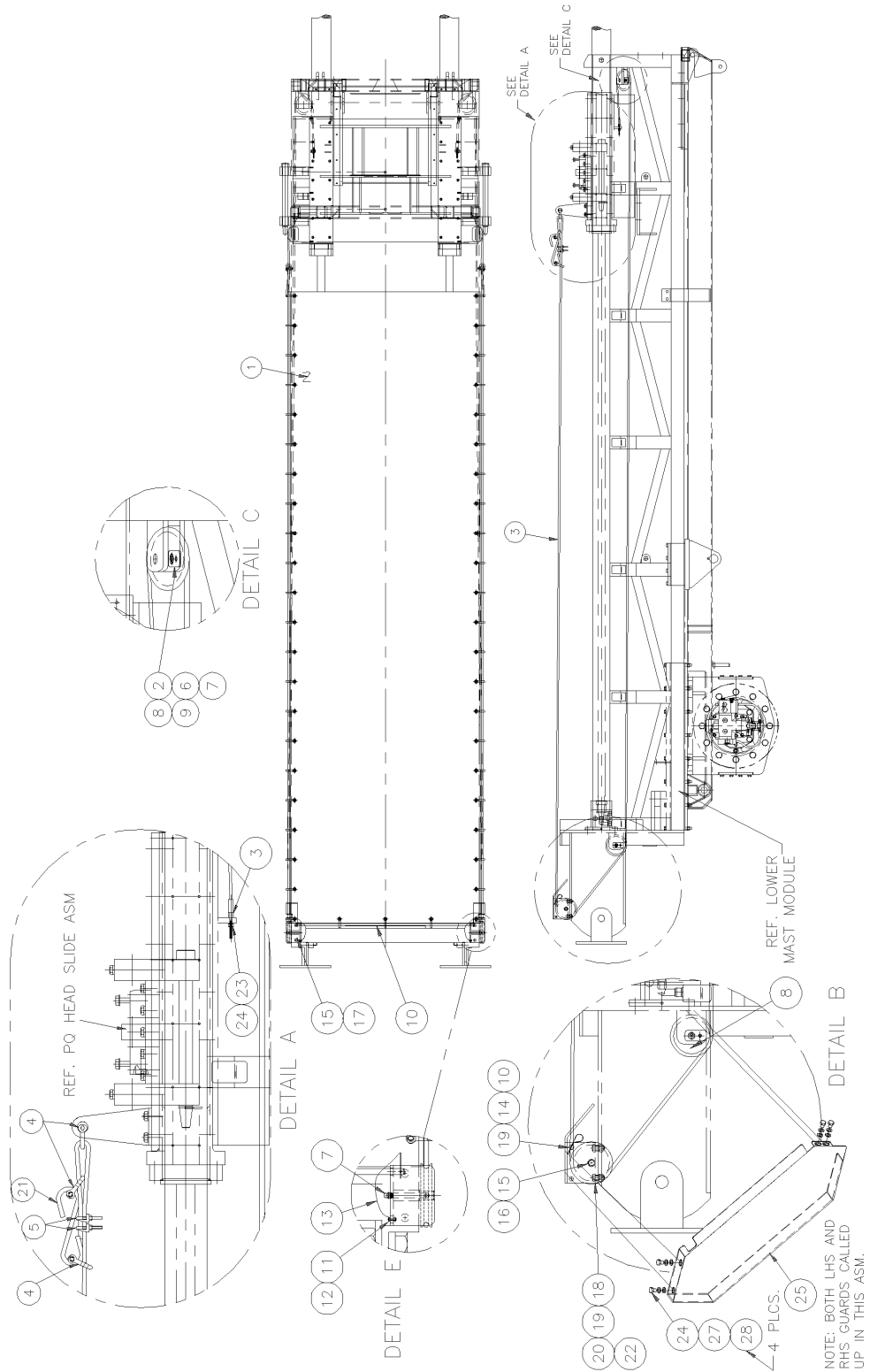
Copyright © 2019 Boart Longyear. All rights reserved.

Boart Longyear is constantly striving to improve its products and must therefore, reserve the right to change designs, materials, specifications and price without notice.



3546319 GUARD ASM, ROD ROTATION PRIOR TO 2013

ROTATION BARRIER ASM, (CURTAIN STYLE)



LF230 2007-193 Thru Current

Copyright © 2019 Boat Longyear. All rights reserved.

Boat Longyear is constantly striving to improve its products and must therefore, reserve the right to change designs, materials, specifications and price without notice.



Item	Part No.	Name	Qty	Service
1	3546259	GUARD, LF230 COVER	1	
2	3543236	SHEAVE, 5" O.D.	6	
3	3546789	CABLE ASM, LF230 ROD GUARD	2	
4	3540830	SHACKLE, 1/4"	57	
5	3540832	U-BOLT CLIP, 3/8	4	
6	3540833	PIN, ROD GUARD SHEAVE	4	
7	16634	GREASE NIPPLE, STR 1/8-27 NPT	6	F
8	78810	C/SCR, HH 5/16UNC x 7/8 LG	4	
9	44519	L/WASHER, 5/16 SAE G8	4	F
10	3546791	BAR, ROD GUARD HOLDDOWN	1	
11	100975	C/SCR, SH #10 UNC x 1/2 LG	2	F
12	3540822	L/NUT, NYLOK #10 UNC G5	2	F
13	3540861	LANDYARD, 6" LG	2	
14	47595	PIN, 1/2 COTTER	2	
15	3541893	RETAINING RING	2	
16	3541895	BRACKET, SHEAVE WHEEL	1	
17	3544189	BRACKET, SHEAVE WHEEL	1	
18	44640	C/SCR, HH 1/2 UNC X 1-3/4 G8	4	F
19	102955	L/WASHER, 1/2ID SAE G8	4	F
20	44525	NUT, HEX 1/2 UNC G8	4	F
21	3543140	HOOK, 'S'	2	
22	17121	WASHER, 1/2 BEVEL	4	F
23	44527	NUT, HEX 3/8 UNC G8	2	F
24	44520	L/WASHER, 3/8 SAE G8	6	F
25	3547477	GUARD, RHS SHEAVE WHELL	1	
26	3547469	GUARD, LHS SHEAVE WHEEL	1	
27	44538	C/SCR, HH 3/8 UNC X 1/2 G8	4	F
28	44859	WASHER, FLAT 3/8 SAE G8	4	F

LF230 2007-193 Thru Current

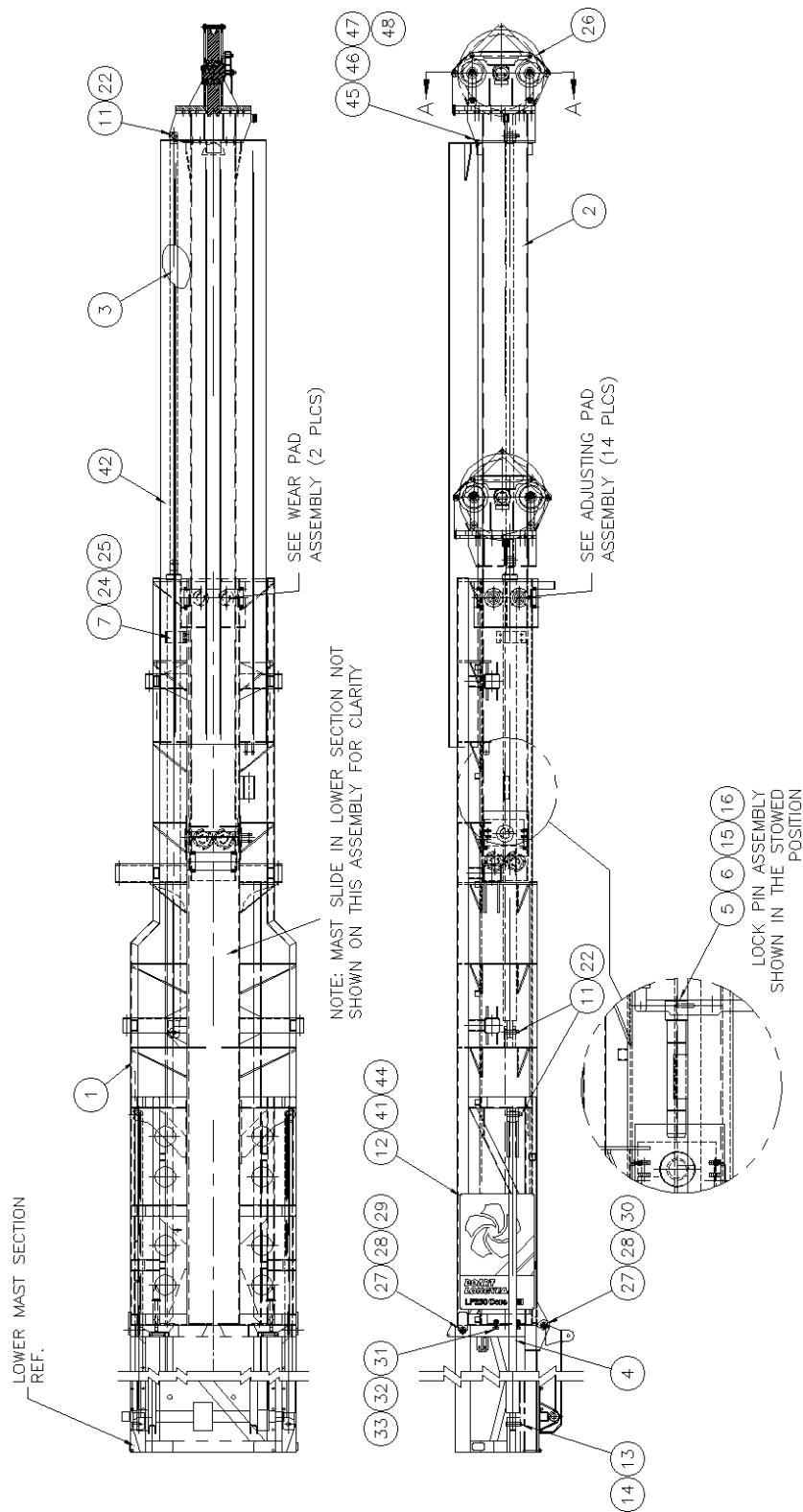
Copyright © 2019 Boat Longyear. All rights reserved.

Boat Longyear is constantly striving to improve its products and must therefore, reserve the right to change designs, materials, specifications and price without notice.



3546118 MAST ASM, LF230 UPPER

3546118 MAST ASM, LF230 UPPER



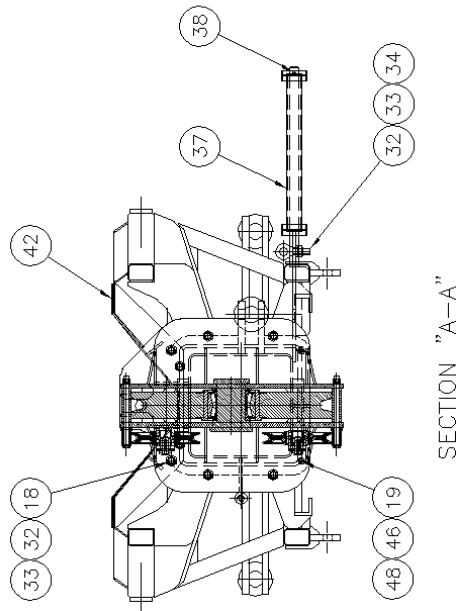
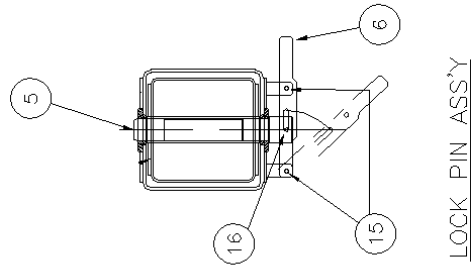
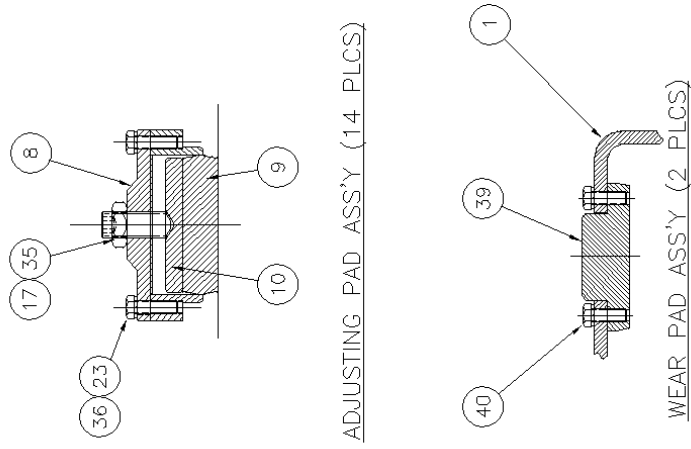
LF230 2007-193 Thru Current

Copyright © 2019 Boat Longyear. All rights reserved.

Boat Longyear is constantly striving to improve its products and must therefore, reserve the right to change designs, materials, specifications and price without notice.



3546118 MAST ASM, LF230 UPPER



LF230 2007-193 Thru Current

Copyright © 2019 Boart Longyear. All rights reserved.

Boart Longyear is constantly striving to improve its products and must therefore, reserve the right to change designs, materials, specifications and price without notice.



Item	Part No.	Name	Qty	Service
1	3546119	MAST, LOWER 40K TELESCOPIC	1	D
2	3542628	MAST, UPPER TELESCOPIC	1	D
3	3542629	CYLINDER, HYD MAST EXTEND	1	C
Comments for Part Num. 3542629				
SEAL KIT # 3547271				
4	3546266	CYLINDER, LF230 MAST DUMP	2	C
Comments for Part Num. 3546266				
SEAL KIT # 3547271				
5	3542650	PIN, MAST LOCK	1	C
6	3542651	LEVER, PIN REMOVAL	1	D
7	3542680	SUPPORT, CYL MAST EXTEND	1	D
8	3542685	COVER, PAD HOUSING	14	D
9	3542686	PAD, WEAR	14	C
10	3542687	PLATE, PAD BACKUP	14	C
11	3542794	PIN, CYL EXTEND	4	C
12	3546491	SIGN, LF230 IDENTIFICATION	2	D
13	3546490	PIN, TELSCOPIC MAST DUMP	2	D
14	NOPARTNUMBER	NO PART NUMBER	4	
15	3542693	PIN, QUICK REL 1/2 x 2.3 Lg	2	C
16	3542694	PIN, QUICK REL 1/2 x 3.3 Lg.	1	C
17	3542733	S/SCR, HS 3/4-16NF x 2.00 Lg.	14	F
18	44645	C/SCR, HH 3/4-10UNC x 3 LG	8	F
19	44532	C/SCR, HH 1/2 UNC X 2-3/4 G8	2	F
22	44619	PIN COTTER 1/8 X 1-1/2	4	F
23	44593	C/SCR, HH 3/8 UNC X 1-1/4 G8	112	F
24	44624	C/SCR, HH 5/8-11UNC x 1.00 LG	4	F
25	44522	L/WASHER, 5/8 SAE G8	4	F
26	3546740	CROWN BLOCK ASM, 24" SHEAVE LF230	1	C
27	44573	NUT, HEX 1" UNC G8	4	F
28	44575	L/WASHER, 1" SAE G8	4	F
29	102935	C/SCR, HH 1" UNC x 4 1/2 Lg.	2	F

LF230 2007-193 Thru Current

Copyright © 2019 Boart Longyear. All rights reserved.

Boart Longyear is constantly striving to improve its products and must therefore, reserve the right to change designs, materials, specifications and price without notice.



Item	Part No.	Name	Qty	Service
30	103457	C/SCR, HH 1" UNC x 3 1/2 LG	2	F
31	44517	C/SCR, HH 3/4 UNC X 2-1/4 G8	4	F
32	44523	L/WASHER, 3/4 SAE G8	13	F
33	44524	NUT, HEX 3/4 UNC G8	13	F
34	3541238	EYEBOLT, 3/4-10 X 2 LG	1	D
35	44582	NUT, JAM 3/4-16 UNF	14	F
36	44520	L/WASHER, 3/8 SAE G8	116	F
37	3543918	LADDER, EXT. TYPE 1A 300 LBS	1	D
38	3543377	PIN, HITCH 1/4"	8	F
39	3546189	PAD, TELESCOPIC MAST	2	D
40	44512	C/SCR, HH 3/8 UNC X 1 G8	4	F
41	44611	WASHER, FLAT 3/8 USS G2	8	F
42	3546120	SLIDE, UPPER 40K MAST	1	D
44	104024	L/NUT, NYLOK 3/8 UNC G5	8	F
45	44640	C/SCR, HH 1/2 UNC X 1-3/4 G8	4	F
46	44521	L/WASHER, 1/2 SAE G8	6	F
47	44621	WASHER, FLAT 1/2 SAE G8	4	F
48	44525	NUT, HEX 1/2 UNC G8	6	F

LF230 2007-193 Thru Current

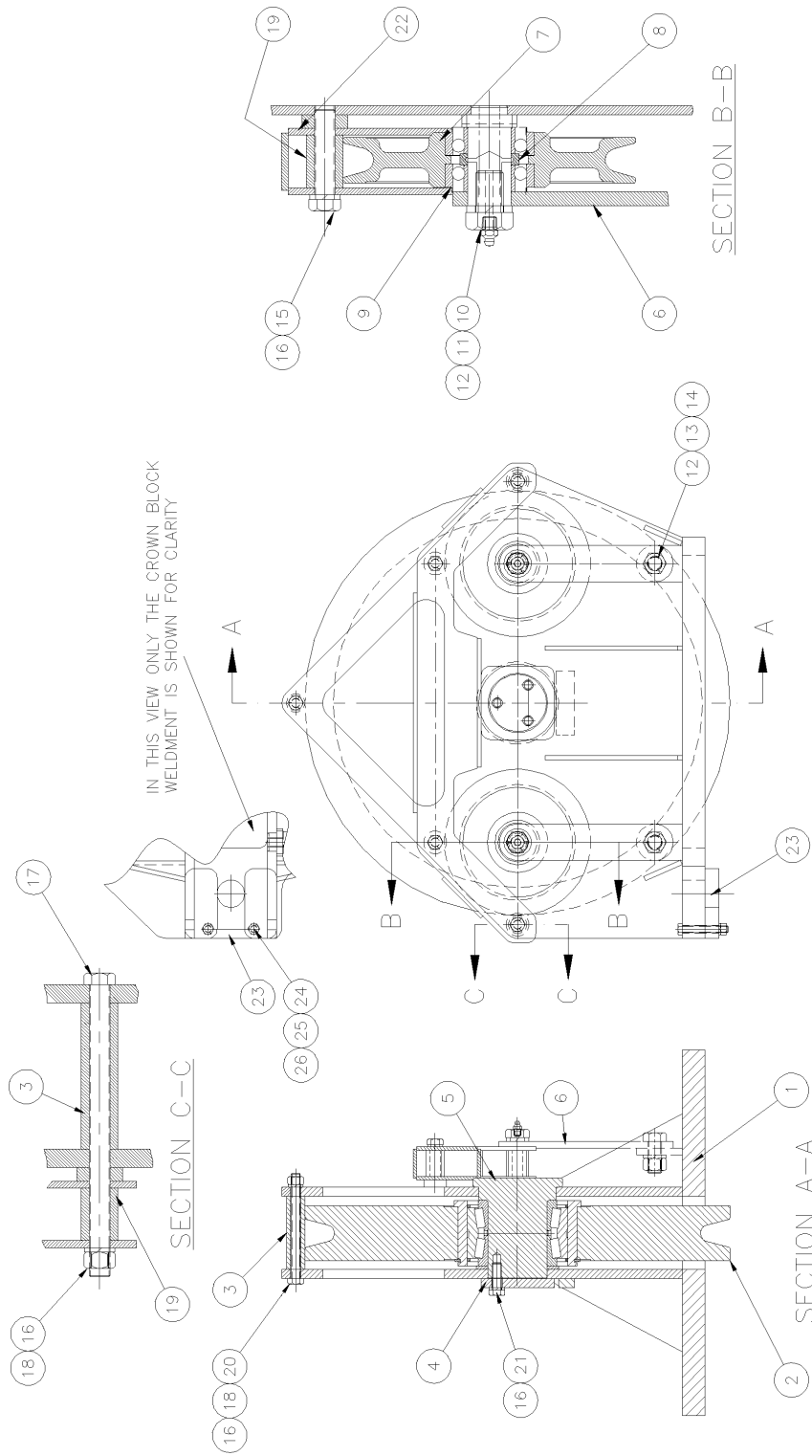
Copyright © 2019 Boart Longyear. All rights reserved.

Boart Longyear is constantly striving to improve its products and must therefore, reserve the right to change designs, materials, specifications and price without notice.



3546740 CROWN BLOCK ASM, 24" SHEAVE LF230

3546740 CROWN BLOCK ASM, 24" SHEAVE LF230



LF230 2007-193 Thru Current

Copyright © 2019 Boart Longyear. All rights reserved.

Boart Longyear is constantly striving to improve its products and must therefore, reserve the right to change designs, materials, specifications and price without notice.



3546740 CROWN BLOCK ASM, 24" SHEAVE LF230

Item	Part No.	Name	Qty	Service
1	3546738	BLOCK, 24" SHEAVE WHEEL	1	
2	3546732	SHEAVE ASM, LF230 CROWN BLOCK	1	
3	3546741	TUBE, W/L CABLE RETAINER	3	
4	3546739	RETAINER, SHAFT	1	
5	3546742	SHAFT, SHEAVE BLOCK	1	
6	3540261	SUPPORT BAR, WIRELINE SHEAVE	2	
7	104141	W/L SHEAVE, 8" (REWORK)	2	B
8	104171	BEARING SPACER	2	B
9	3547038	BEARING, LF230 W/L SHEAVE BALL	4	
10	104586	AXLE, BOLT (REWORK)	2	B
11	16634	GREASE NIPPLE, STR 1/8-27 NPT	2	F
12	44523	L/WASHER, 3/4 SAE G8	4	F
13	102231	NUT, HEX 3/4 UNC	2	F
14	103825	C/SCR, HH 3/4 UNC x 1 3/4" Lg.	2	
15	44547	C/SCR, HH 1/2 UNC X 2-1/2 G8	2	F
16	102955	L/WASHER, 1/2ID SAE G8	8	F
17	NOPARTNUMBER	NO PART NUMBER	2	
18	44525	NUT, HEX 1/2 UNC G8	3	F
19	3543447	TUBE, RETAINER W/L CABLE	4	
20	NOPARTNUMBER	NO PART NUMBER	1	
21	44510	C/SCR, HH 1/2 UNC X 1-1/2 G8	3	F
22	3543332	GUARD, WIRELINE SHEAVE WHEEL	1	
23	3546743	STOP PLATE, HOIST PLUG	1	
24	44595	C/SCR, HH 3/8 UNC X 2-1/2 G8	2	F
25	44520	L/WASHER, 3/8 SAE G8	2	F
26	44527	NUT, HEX 3/8 UNC G8	2	F

Comments for Page: 3546740 CROWN BLOCK ASM, 24" SHEAVE LF230

(#2 3546732)(#7 104141)(#9 3547038)INCLUDED IN CROWN BLOCK SPARES KIT # 3547259

LF230 2007-193 Thru Current

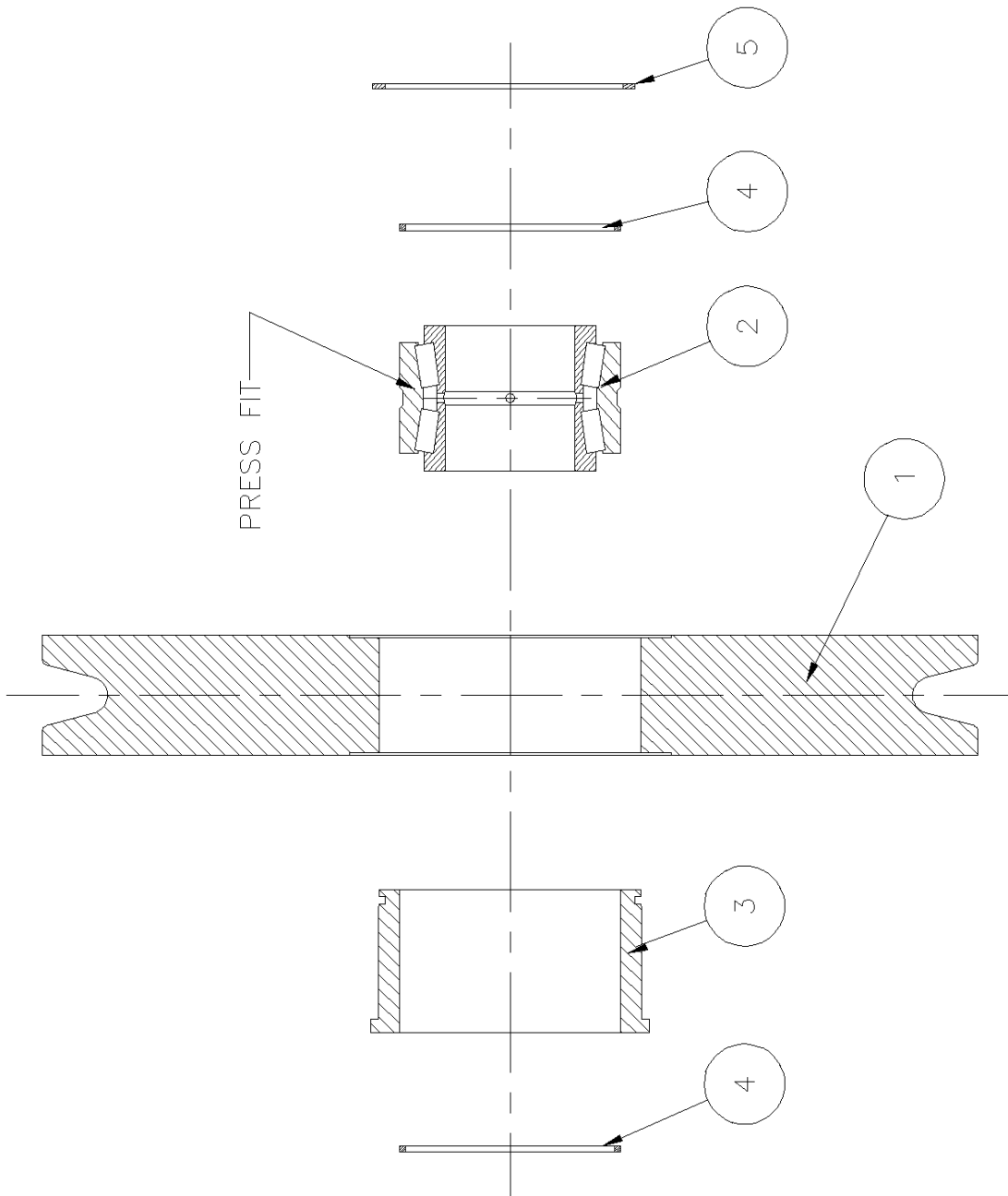
Copyright © 2019 Boart Longyear. All rights reserved.

Boart Longyear is constantly striving to improve its products and must therefore, reserve the right to change designs, materials, specifications and price without notice.



3546732 SHEAVE ASM, LF230 CROWN BLOCK

3546740 CROWN BLOCK ASM, 24" SHEAVE LF230



LF230 2007-193 Thru Current

Copyright © 2019 Boart Longyear. All rights reserved.

Boart Longyear is constantly striving to improve its products and must therefore, reserve the right to change designs, materials, specifications and price without notice.



3546732 SHEAVE ASM, LF230 CROWN BLOCK

Item	Part No.	Name	Qty	Service
1	3546733	WHEEL, 7/8" CABLE SHEAVE LF230 CROWN BLOCK ASM	1	
2	3546736	BEARING, SPEC (CUP & CONE)	1	
3	3546735	BUSHING	1	
4	3546737	SEAL	2	
5	5402852	RETAINING RING	1	

Comments for Page: 3546732 SHEAVE ASM, LF230 CROWN BLOCK

(#1 3546733)INCLUDED IN CROWN BLOCK SPARES KIT # 3547259

LF230 2007-193 Thru Current

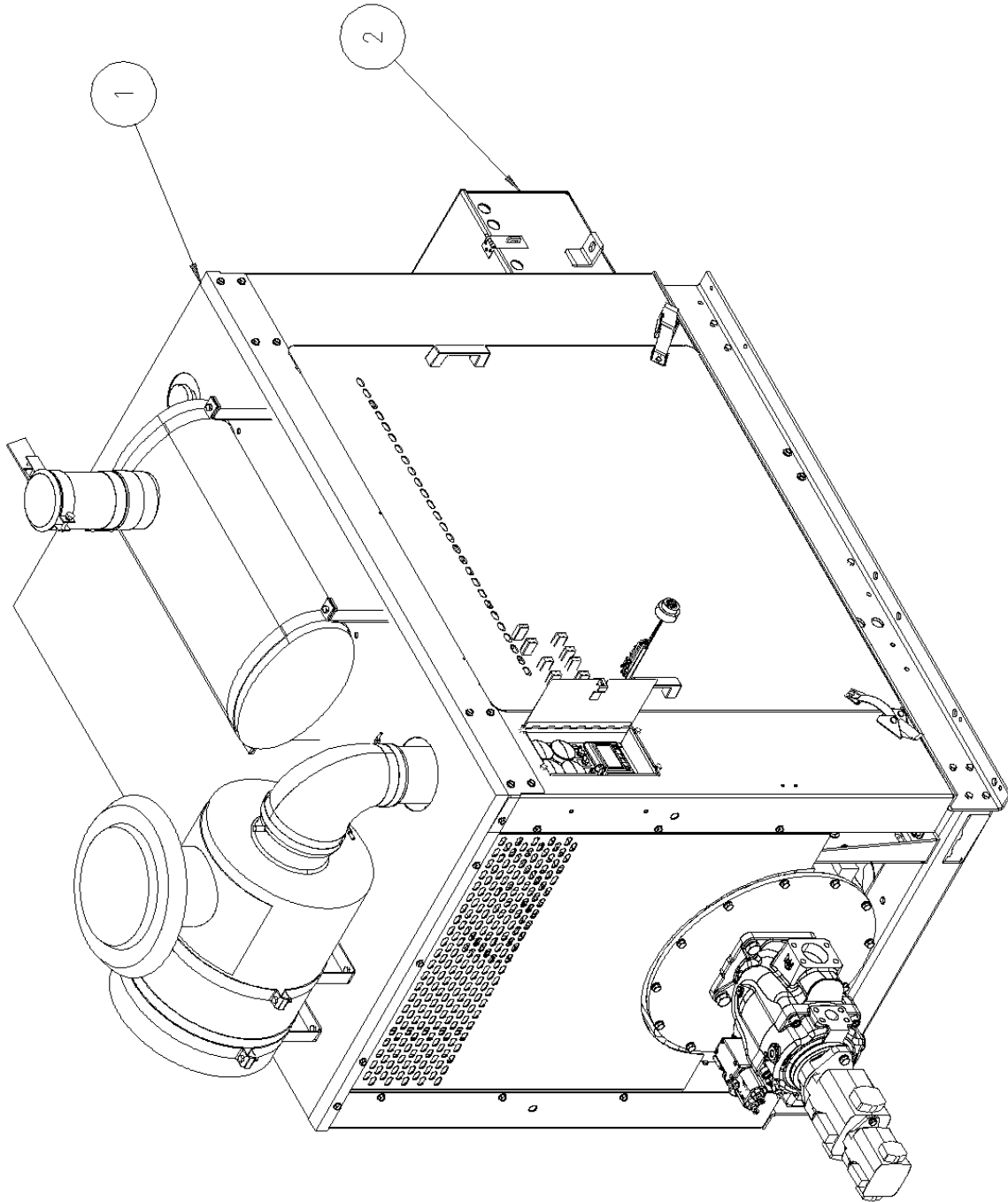
Copyright © 2019 Boart Longyear. All rights reserved.

Boart Longyear is constantly striving to improve its products and must therefore, reserve the right to change designs, materials, specifications and price without notice.



5003254 ENGINE GRP, CUMMINS QSC8.3 TIER III

5003254 ENGINE GRP, CUMMINS QSC8.3 TIER III



LF230 2007-193 Thru Current

Copyright © 2019 Boat Longyear. All rights reserved.

Boat Longyear is constantly striving to improve its products and must therefore, reserve the right to change designs, materials, specifications and price without notice.



Item	Part No.	Name	Qty	Service
1	5003256	ENGINE ASM, CUMMINS QSC 8.3	1	D
2	5003255	ELECTRICAL GRP, 12V CUMMINS	1	D

LF230 2007-193 Thru Current

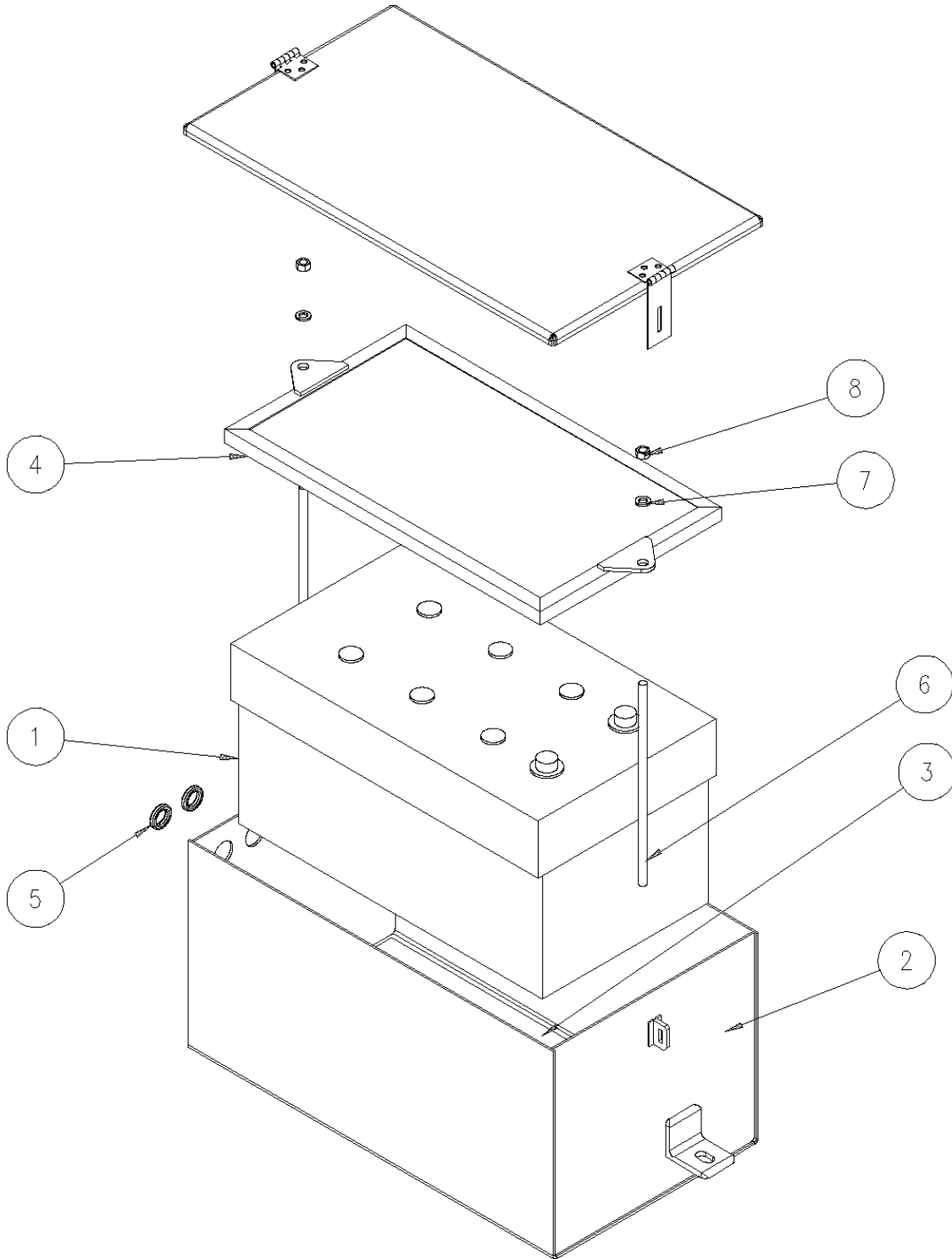
Copyright © 2019 Boart Longyear. All rights reserved.

Boart Longyear is constantly striving to improve its products and must therefore, reserve the right to change designs, materials, specifications and price without notice.



3548505 BATTERY GROUP TIER 3

5003254 ENGINE GRP, CUMMINS QSC8.3 TIER III



LF230 2007-193 Thru Current

Copyright © 2019 Boat Longyear. All rights reserved.

Boat Longyear is constantly striving to improve its products and must therefore, reserve the right to change designs, materials, specifications and price without notice.



Item	Part No.	Name	Qty	Service
1	3546762	BATTERY, 8D SERIES 12V	1	D
2	3546764	BOX, 12V BATTERY	1	D
3	3546769	PAD, 12V BATTERY ISOLATOR	1	D
4	3546765	RETAINER, 12V BATTERY	1	D
5	3541367	GROMMET, 3/4 ID	6	D
6	5002864	ROD, THREADED	2	D
7	44520	L/WASHER, 3/8 SAE G8	2	F
8	44527	NUT, HEX 3/8 UNC G8	2	F

LF230 2007-193 Thru Current

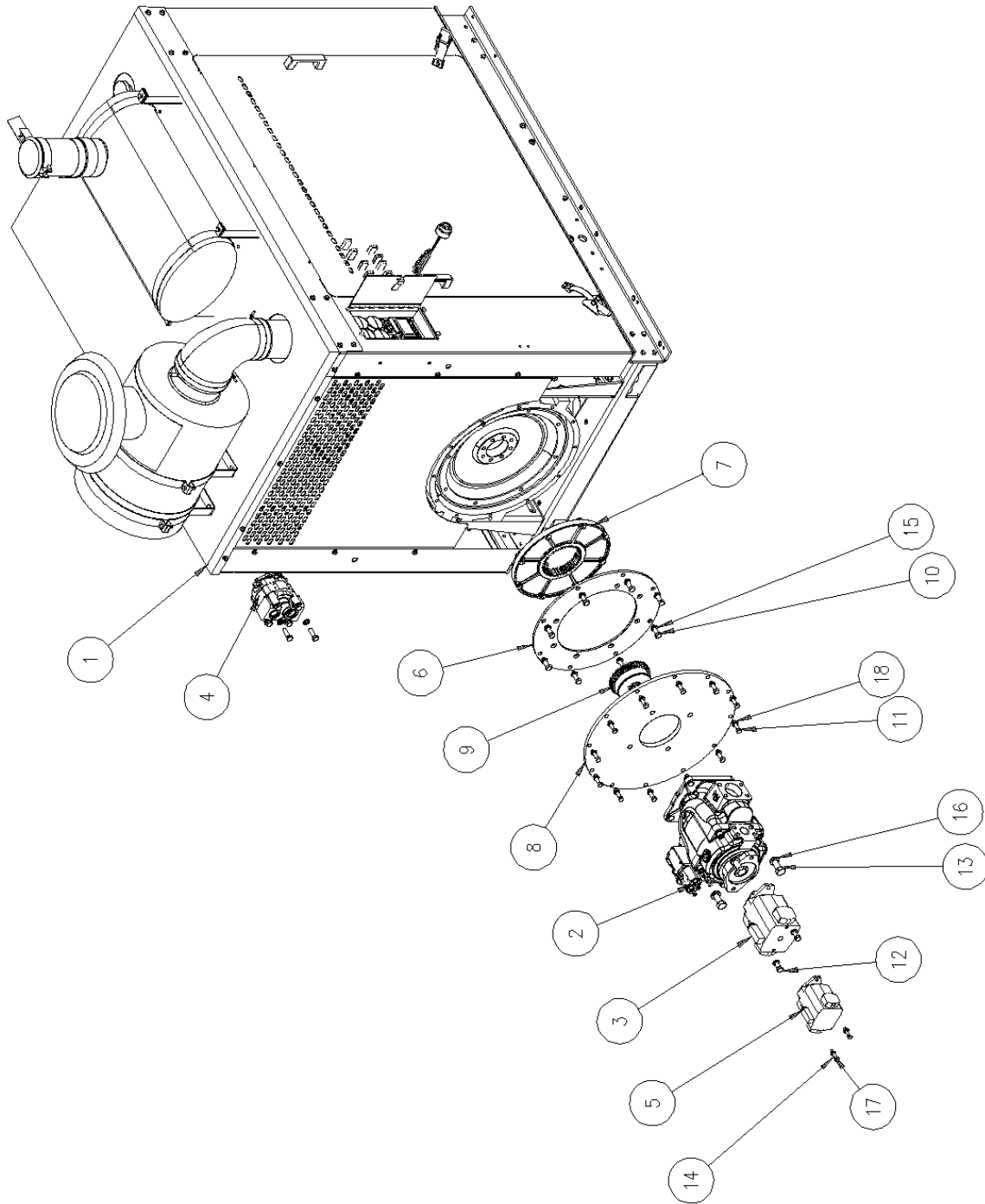
Copyright © 2019 Boart Longyear. All rights reserved.

Boart Longyear is constantly striving to improve its products and must therefore, reserve the right to change designs, materials, specifications and price without notice.



5003256 ENGINE ASM, CUMMINS QSC 8.3

5003254 ENGINE GRP, CUMMINS QSC8.3 TIER III



LF230 2007-193 Thru Current

Copyright © 2019 Boat Longyear. All rights reserved.

Boat Longyear is constantly striving to improve its products and must therefore, reserve the right to change designs, materials, specifications and price without notice.



5003256 ENGINE ASM, CUMMINS QSC 8.3

Item	Part No.	Name	Qty	Service
1	3547581	ENGINE, CUMMINS QSC 8.3 TIER III (BARE)	1	D
2	3546726	PUMP, HYD PISTON 145 CC	1	C
Comments for Part Num. 3546726 PUMP SEAL KIT # 3547284 PUMP COMPENSATOR # 5004038 PUMP COUPLING # 5405512				
3	3544140	PUMP, HYD PISTON 33 CC	1	B
Comments for Part Num. 3544140 SEAL KIT # 3547283 DRIVE COUPLING (THRU DRIVE) # 5405513 COMPENSATOR # 5406201				
4	5004349	PUMP, HYD GEAR 12 CC	1	C
5	100184	PUMP, HYD PISTON 19 CC	1	B
Comments for Part Num. 100184 SEAL KIT # 3540345				
6	3548593	FLANGE, FLYWHEEL DRIVE CPLG	1	D
7	3548592	ADAPTER, 14" NYLON	1	B
8	3546722	PLATE, PUMP MOUNTING SAE 1	1	D
9	5000318	HUB, SAE D SPLINE	1	B
10	44510	C/SCR, HH 1/2 UNC X 1-1/2 G8	10	F
11	45767	C/SCR, HH 7/16 UNC X 1-1/2 G8	12	F
12	44530	C/SCR, HH 1/2 UNC X 1-1/4 G8	2	F
13	44748	C/SCR, HH 3/4 UNC X 2 G8	4	F
14	44536	C/SCR, HH 3/8 UNC X 1-1/2 G8	2	F
15	44521	L/WASHER, 1/2 SAE G8	12	F
16	44523	L/WASHER, 3/4 SAE G8	4	F
17	44520	L/WASHER, 3/8 SAE G8	2	F
18	44660	L/WASHER, 7/16 SAE G8	12	F

Comments for Page: 5003256 ENGINE ASM, CUMMINS QSC 8.3

(#4 5004349)(USED WITH ELH 10 COOLER ONLY S/N 2009-007 & UP). FOR 23 CC PUMP ORDER 3549381

LF230 2007-193 Thru Current

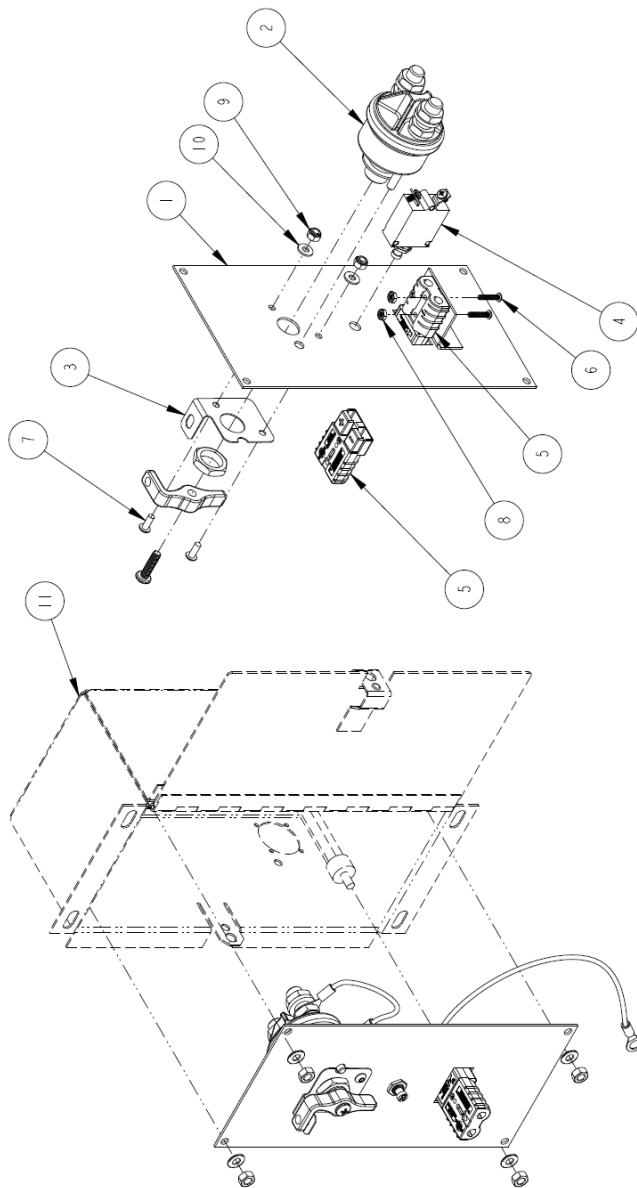
Copyright © 2019 Boart Longyear. All rights reserved.

Boart Longyear is constantly striving to improve its products and must therefore, reserve the right to change designs, materials, specifications and price without notice.



3548035 MASTER DISCONNECT PANEL

5003254 ENGINE GRP, CUMMINS QSC8.3 TIER III



LF230 2007-193 Thru Current

Copyright © 2019 Boat Longyear. All rights reserved.

Boat Longyear is constantly striving to improve its products and must therefore, reserve the right to change designs, materials, specifications and price without notice.



3548035 MASTER DISCONNECT PANEL

Item	Part No.	Name	Qty	Service
Ref	3548035	PANEL ASM, CUMMINS TIER III	1	D
1	3548033	DISCONNECT PANEL	1	D
2	3548351	SWITCH, 2000AMP DISCONNECT	1	C
3	3548039	LEVER, LOCKOUT	1	C
4	3548036	CIRCUIT BREAKER, 20A THERMAL	1	C
5	3548356	PLUG ASM, ELECT 2 PIN (RED)	2	C
6	5405672	M/SCR, BHD #6-32 x 3/4 G8	2	F
7	47234	M/SCR, BHD 10 UNC X 1/2 G8	2	F
8	5001563	L/NUT, NYLOK #6-32 UNC	2	F
9	3540822	L/NUT, NYLOK #10 UNC G5	2	F
10	44771	WASHER, FLAT #10 SAE G8	2	F

Comments for Page: 3548035 MASTER DISCONNECT PANEL

ITEM 11 ENCLOSURE NOT INCLUDED

LF230 2007-193 Thru Current

Copyright © 2019 Boart Longyear. All rights reserved.

Boart Longyear is constantly striving to improve its products and must therefore, reserve the right to change designs, materials, specifications and price without notice.



5003255 ELECTRICAL GRP, 12V CUMMINS

5003254 ENGINE GRP, CUMMINS QSC8.3 TIER III

**NO DRAWING
AVAILABLE
FOR THIS BOM**

LF230 2007-193 Thru Current

Copyright © 2019 Boart Longyear. All rights reserved.

Boart Longyear is constantly striving to improve its products and must therefore, reserve the right to change designs, materials, specifications and price without notice.



Item	Part No.	Name	Qty	Service
1	5003260	SCHEMATIC, BATTERY GRP	1	E
2	5003259	CABLE GRP, 12V QSC8.3	1	E
3	3548035	PANEL ASM, CUMMINS TIER III	1	D
4	3548505	BATTERY GROUP TIER 3	1	D

LF230 2007-193 Thru Current

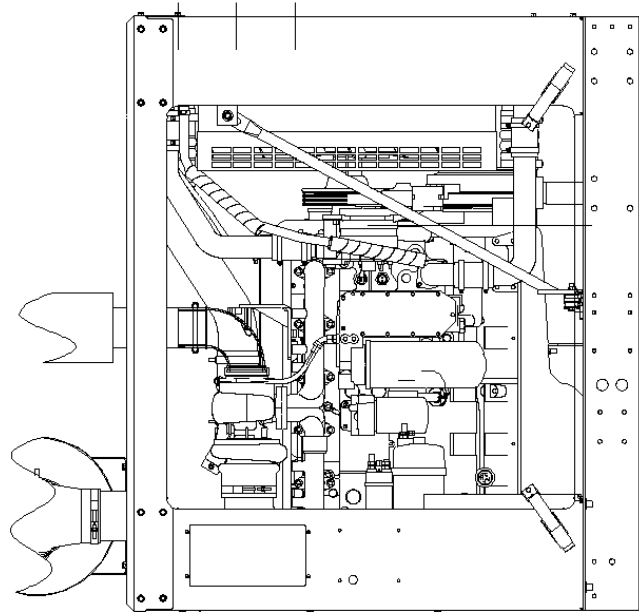
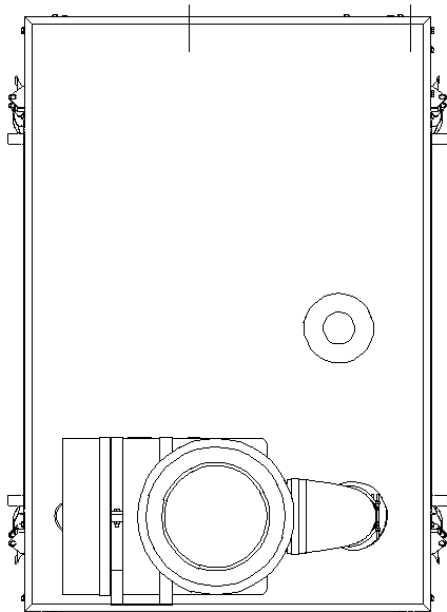
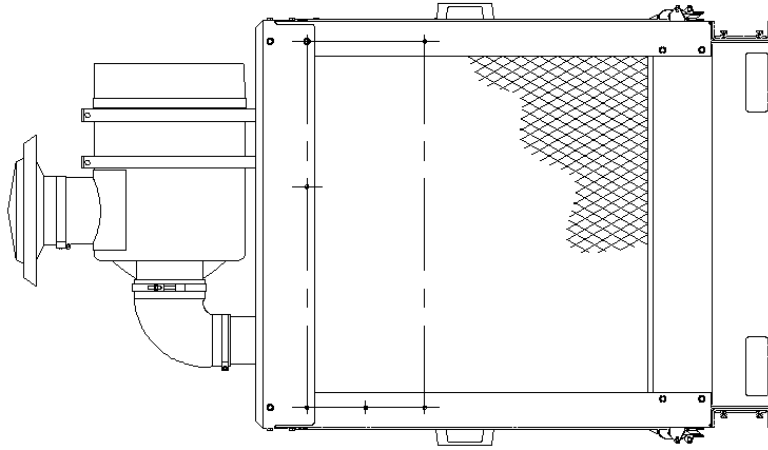
Copyright © 2019 Boart Longyear. All rights reserved.

Boart Longyear is constantly striving to improve its products and must therefore, reserve the right to change designs, materials, specifications and price without notice.



3547581 ENGINE, CUMMINS QSC 8.3 TIER III (BARE)

5003254 ENGINE GRP, CUMMINS QSC8.3 TIER III



LF230 2007-193 Thru Current

Copyright © 2019 Boat Longyear. All rights reserved.

Boat Longyear is constantly striving to improve its products and must therefore, reserve the right to change designs, materials, specifications and price without notice.



Item	Part No.	Name	Qty	Service
1A	5401431	FILTER KIT, CUMMINS QSC8.3 1000HRS	1	
Comments for Part Num. 5401431 USED ON TIER 3 ENGINES UP TO S/N 2012-XXX (FLEETGUARD AIR FILTER TYPE)				
1B	5405128	FILTER KIT, CUMMINS 8.3L 1000 HR	1	
Comments for Part Num. 5405128 USED ON TIER 3 ENGINES FROM S/N 2012-XXX THRU CURRENT (NELSON AIR FILTER TYPE)				
2	5401432	KIT, QSC8.3 TIER3 SPARES	1	
3	5000357	ALTERNATOR, CUMMINS QSC 8.3 TIER 3	1	
4	5401455	THERMOSTAT, CUMMINS QSC 8.3 TIER 3	1	
5	5005191	FAN BELT, CUMMINS	1	A
6	5401458	TENSIONER, BELT QSC 8.3L	1	
7	3547358	STARTER, QSC 8.3L TIER 3	1	
8	5401457	WATER PUMP, CUMMINS QSC 8.3 L TIER 3	1	
9	5401462	FUSE, 5 AMP TYPE 0	1	
10	5401463	FUSE, 15 AMP	1	A
11	5401464	FUSE. 30 AMP	1	A

LF230 2007-193 Thru Current

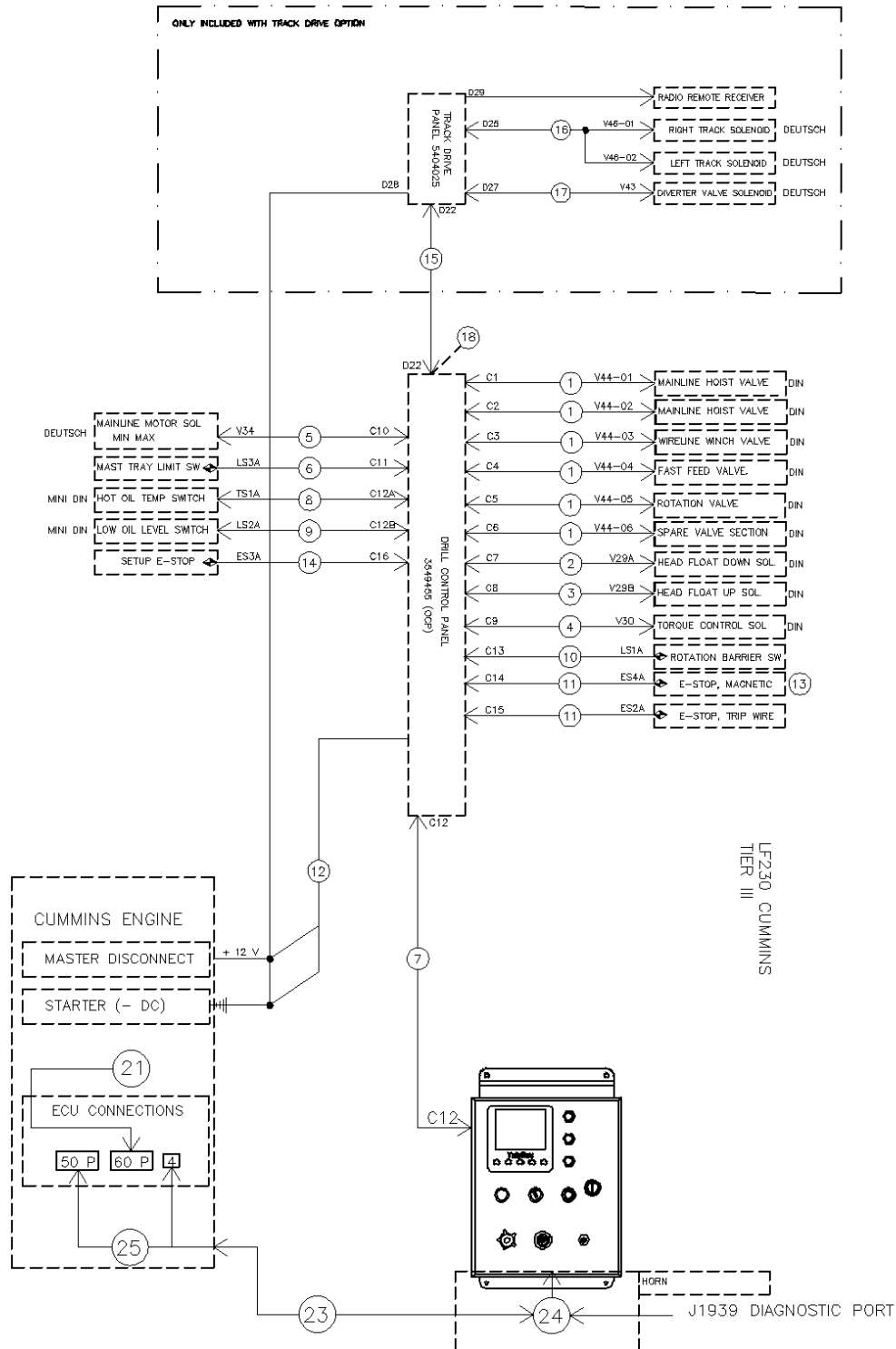
Copyright © 2019 Boart Longyear. All rights reserved.

Boart Longyear is constantly striving to improve its products and must therefore, reserve the right to change designs, materials, specifications and price without notice.



5003559 INTERCONNECTING GRP, LF230 02

5003254 ENGINE GRP, CUMMINS QSC8.3 TIER III



LF230 2007-193 Thru Current

Copyright © 2019 Boat Longyear. All rights reserved.

Boat Longyear is constantly striving to improve its products and must therefore, reserve the right to change designs, materials, specifications and price without notice.



5003559 INTERCONNECTING GRP, LF230 02

Item	Part No.	Name	Qty	Service
1	5003452	CABLE ASM, TURK / DIN 1400 OAL	6	D
2	5003453	CABLE ASM, TURK / DIN 995 OAL	1	D
3	5003515	CABLE ASM, TURK / DIN 1400 OAL	1	D
4	3547347	CABLE ASM, TURK / DIN 1096 OAL	1	D
5	5402910	CABLE ASM, TURCK/DEUTSCH 3432 OAL	1	D
6	3547349	CABLE ASM, TURK / DIN 5974 OAL	1	D
7	3547350	CABLE ASM, TURK / DIN 2062 OAL	1	
8	5003454	CABLE ASM, TURK / DIN 3128 OAL	1	D
9	5003455	CABLE ASM, TURK / DIN 3115 OAL	1	D
10	3547353	CABLE ASM, TURK / DIN 2032 OAL	1	D
11	5003456	CABLE ASM, TURK / DIN 9194 OAL	2	D
12	5003557	CABLE ASM, POWER	REF	
13	3549272	EMERGENCY STOP, MAGNETIC REMOTE	1	C
14	5402737	CABLE, SETUP E-STOP C16	1	D
15	5404013	CABLE ASM, 14 PIN, x 56 LG	REF	D
16	5404014	CABLE ASM, TRACTION VALVE	REF	D
17	5404015	CABLE ASM, DIVERTER VALVE	REF	D

Comments for Page: 5003559 INTERCONNECTING GRP, LF230 02

(#15 5404013)(#16 5404014)(#17 5404015)(#18 NOPARTNUMBER)(#19 NOPARTNUMBER)ONLY INCLUDED WITH TRACK DRIVE OPTION

LF230 2007-193 Thru Current

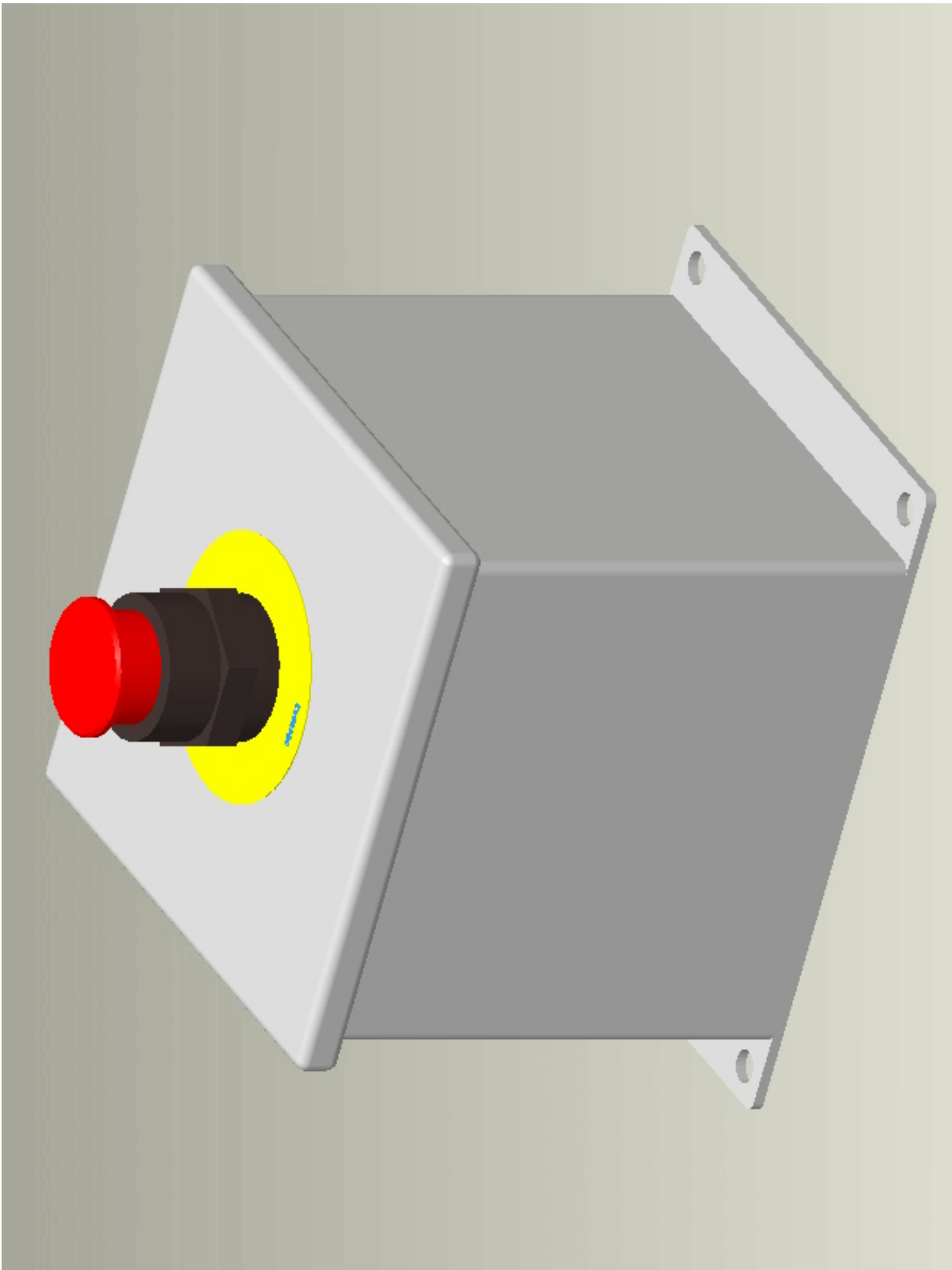
Copyright © 2019 Boart Longyear. All rights reserved.

Boart Longyear is constantly striving to improve its products and must therefore, reserve the right to change designs, materials, specifications and price without notice.



3549272 EMERGENCY STOP, MAGNETIC REMOTE

5003254 ENGINE GRP, CUMMINS QSC8.3 TIER III



LF230 2007-193 Thru Current

Copyright © 2019 Boart Longyear. All rights reserved.

Boart Longyear is constantly striving to improve its products and must therefore, reserve the right to change designs, materials, specifications and price without notice.



Item	Part No.	Name	Qty	Service
1	3549464	ENCLOSURE, E-STOP MAGNETIC	1	D
2	3549458	STRAIN RELIEF	1	
3	3549462	CABLE, 2 CONDUCTOR	1	
4	3549463	E-STOP BUTTON	1	C
5	3549456	BLOCK, CONTACT N.O.	1	D
6	3549457	BLOCK, CONTACT N.C.	1	D

LF230 2007-193 Thru Current

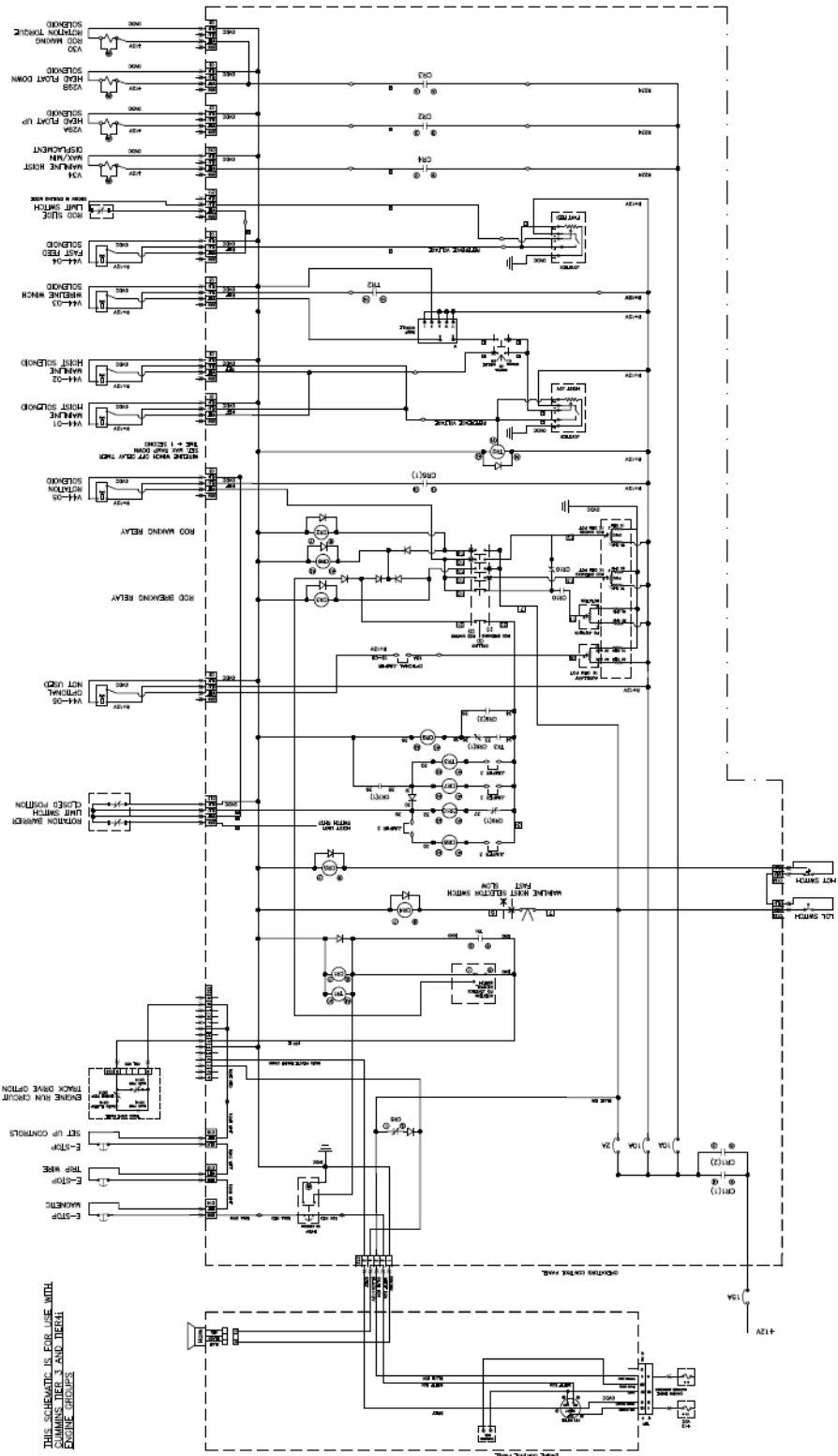
Copyright © 2019 Boart Longyear. All rights reserved.

Boart Longyear is constantly striving to improve its products and must therefore, reserve the right to change designs, materials, specifications and price without notice.



5003500 SCHMATIC LF230 ELECTRIC CONTROL

5003254 ENGINE GRP, CUMMINS QSC8.3 TIER III



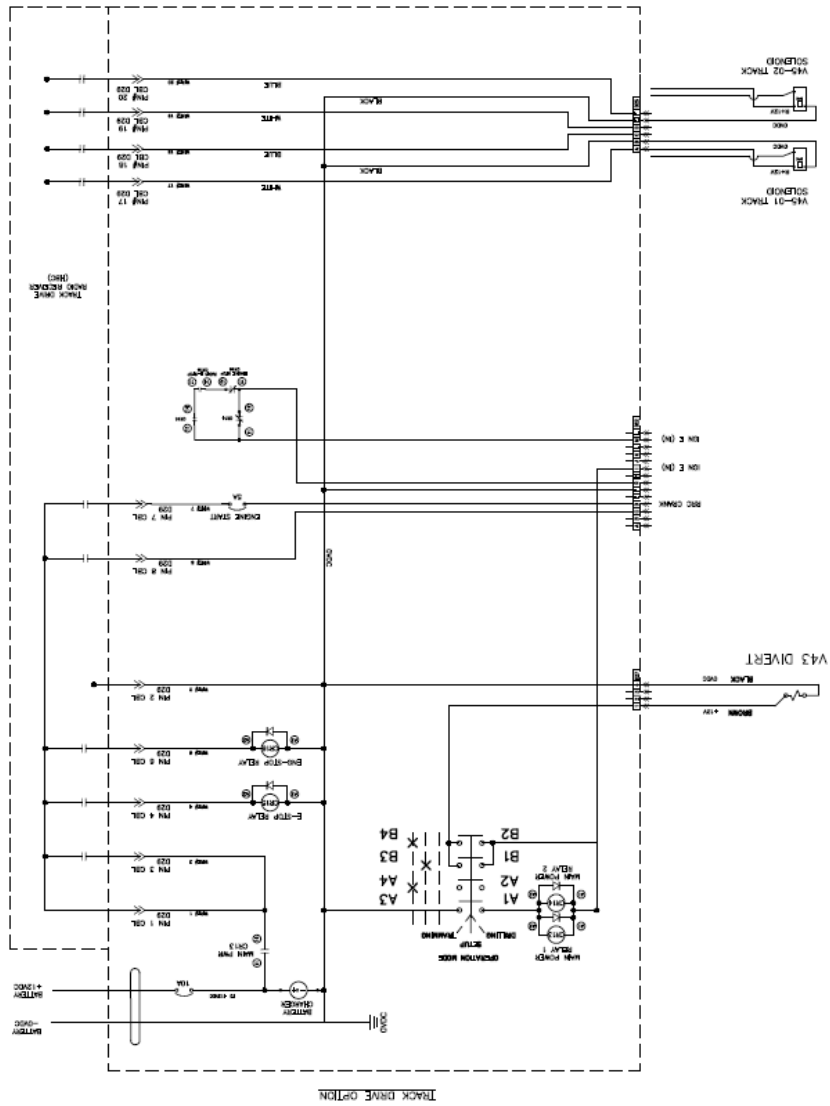
LF230 2007-193 Thru Current

Copyright © 2019 Boat Longyear. All rights reserved.

Boat Longyear is constantly striving to improve its products and must therefore, reserve the right to change designs, materials, specifications and price without notice.



5003500 SCHEMATIC LF230 ELECTRIC CONTROL



LF230 2007-193 Thru Current

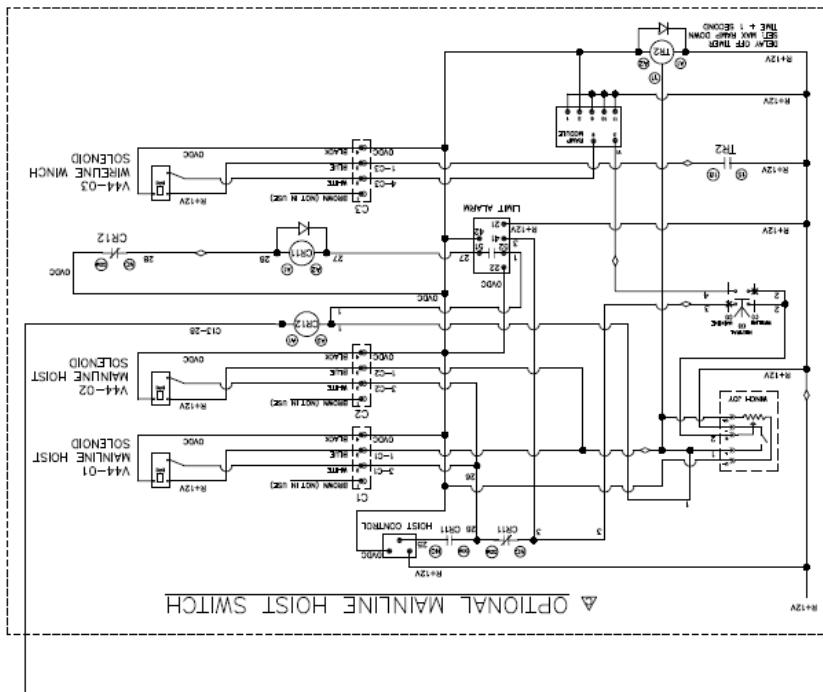
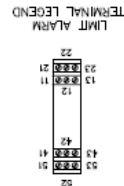
Copyright © 2019 Boat Longyear. All rights reserved.

Boat Longyear is constantly striving to improve its products and must therefore, reserve the right to change designs, materials, specifications and price without notice.



5003500 SCHEMATIC LF230 ELECTRIC CONTROL

PIN	DESCRIPTION
52	N.O. Relay B
51	Com. Relay B
49	N.O. Relay A
48	Com. Relay A
47	N.O. VDC Excitation (+)
46	DC Excitation (-)
45	DC Excitation (+)
44	DC Excitation (-)
43	DC Excitation (+)
42	DC Excitation (-)
41	DC Excitation (+)
40	DC Excitation (-)
39	DC Excitation (+)
38	DC Excitation (-)
37	DC Excitation (+)
36	DC Excitation (-)
35	DC Excitation (+)
34	DC Excitation (-)
33	DC Excitation (+)
32	DC Excitation (-)
31	DC Excitation (+)
30	DC Excitation (-)
29	DC Excitation (+)
28	DC Excitation (-)
27	DC Excitation (+)
26	DC Excitation (-)
25	DC Excitation (+)
24	DC Excitation (-)
23	DC Excitation (+)
22	DC Excitation (-)
21	DC Excitation (+)
20	DC Excitation (-)
19	DC Excitation (+)
18	DC Excitation (-)
17	DC Excitation (+)
16	DC Excitation (-)
15	DC Excitation (+)
14	DC Excitation (-)
13	DC Excitation (+)
12	DC Excitation (-)
11	DC Excitation (+)
10	DC Excitation (-)
9	DC Excitation (+)
8	DC Excitation (-)
7	DC Excitation (+)
6	DC Excitation (-)
5	DC Excitation (+)
4	DC Excitation (-)
3	DC Excitation (+)
2	DC Excitation (-)
1	DC Excitation (+)



LF230 2007-193 Thru Current

Copyright © 2019 Boat Longyear. All rights reserved.

Boat Longyear is constantly striving to improve its products and must therefore, reserve the right to change designs, materials, specifications and price without notice.



Item	Part No.	Name	Qty	Service
Ref	5003500	SCHEMATIC LF230 ELECTRIC CONTROL sn 2007-193 THRU CURRENT		

LF230 2007-193 Thru Current

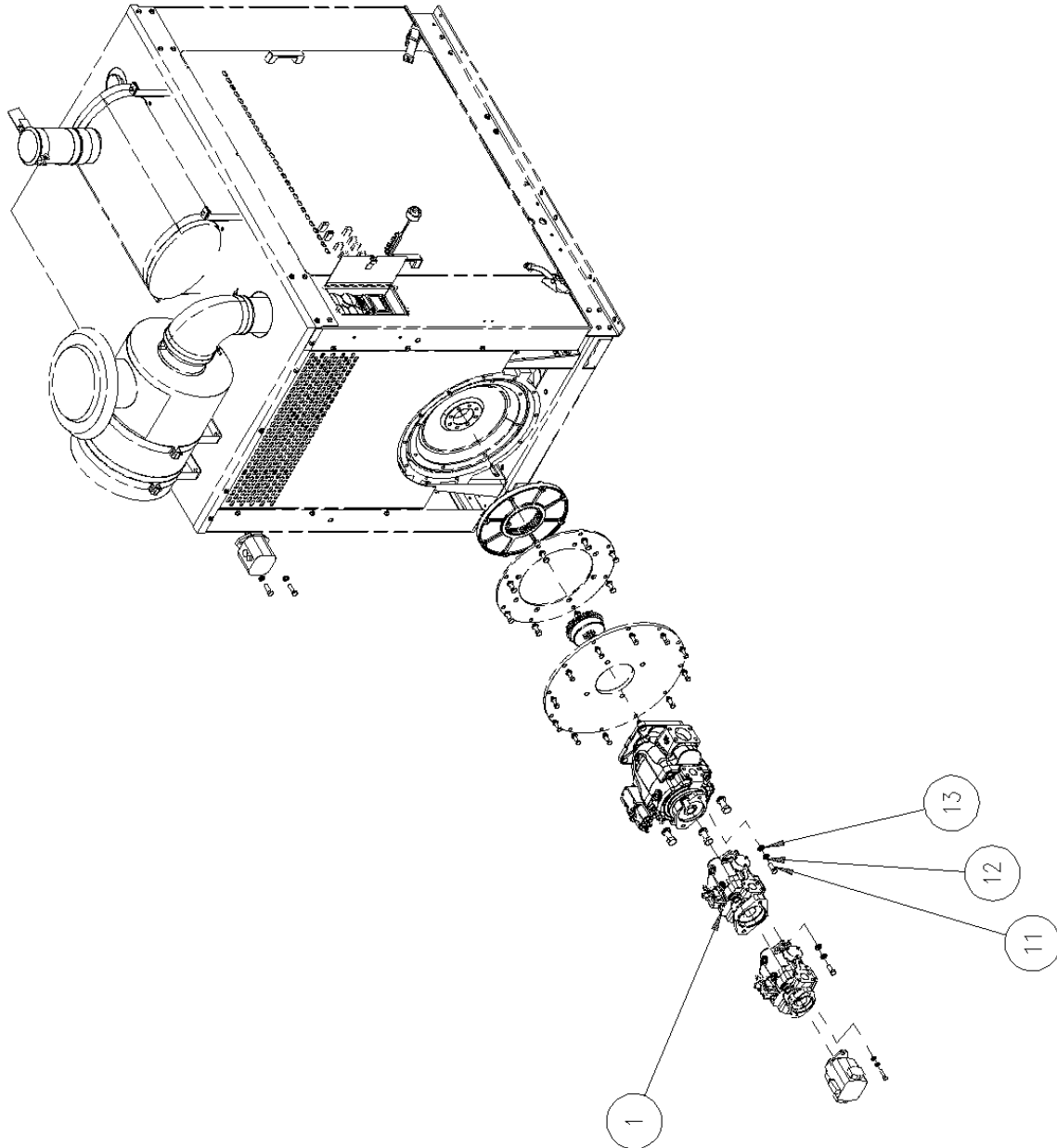
Copyright © 2019 Boart Longyear. All rights reserved.

Boart Longyear is constantly striving to improve its products and must therefore, reserve the right to change designs, materials, specifications and price without notice.



5400531 PUMP DRIVE GRP, 4 STACK TIER III 01

5400531 PUMP DRIVE GRP, 4 STACK TIER III



LF230 2007-193 Thru Current

Copyright © 2019 Boart Longyear. All rights reserved.

Boart Longyear is constantly striving to improve its products and must therefore, reserve the right to change designs, materials, specifications and price without notice.

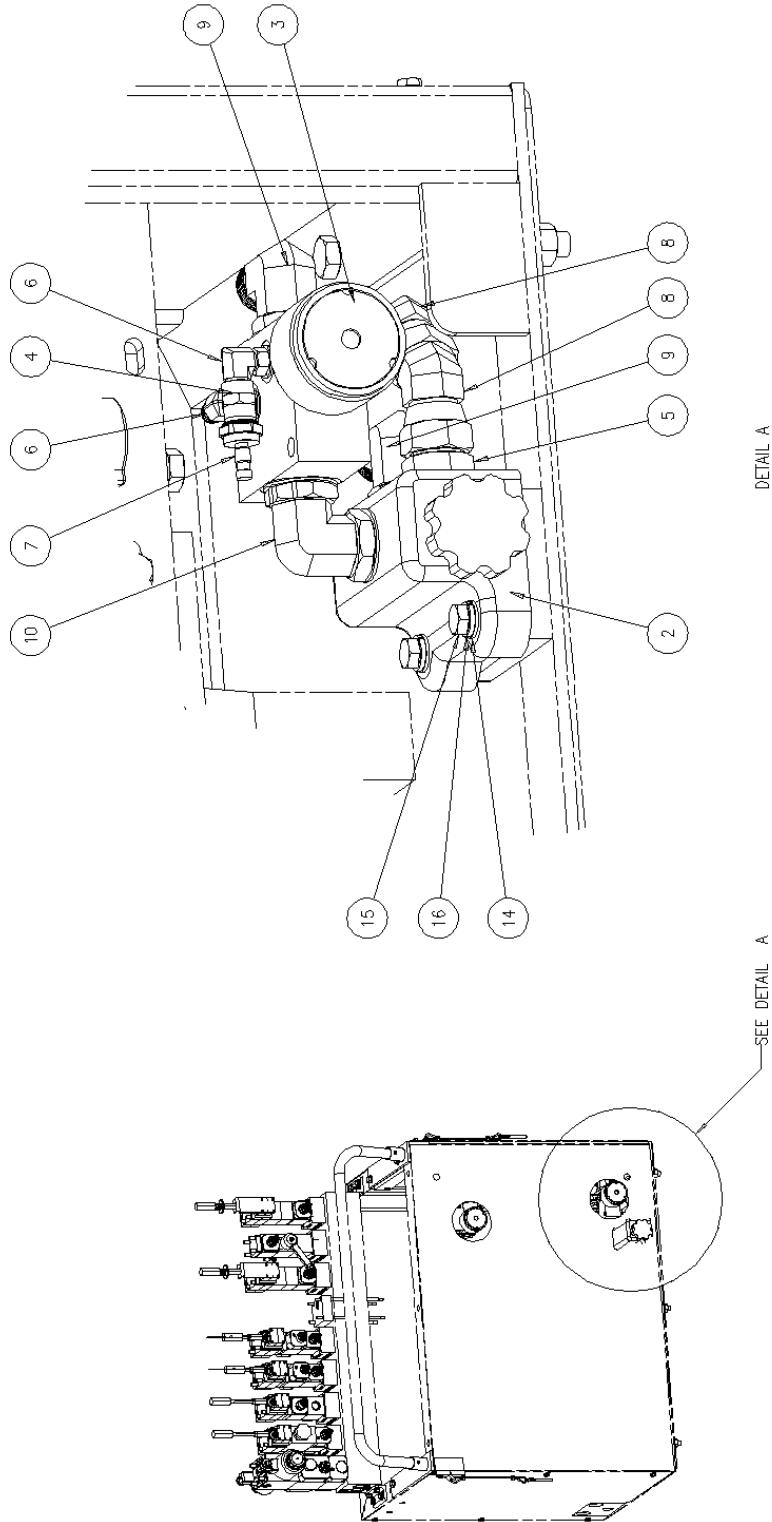


Item	Part No.	Name	Qty	Service
1	3546401	PUMP, HYD AXIAL PISTON 33CC OPTIONAL EQUIPMENT	1	
Comments for Part Num. 3546401 COUPLING, HYD PUMP THRU DRIVE 15T 5406397ROLL PIN, PUMP COUPLING 5406398				
2	3541599	VALVE, HYD THREE-WAY SELECTOR 12 ORB	1	C
Comments for Part Num. 3541599 REPLACEMENT KNOB KIT AVAILABLE UNDER P/N 5402692				
3	5000379	VALVE, WATER PUMP CONTROL	1	B
Comments for Part Num. 5000379 SEAL KIT 5405906				
4	3549286	ADAP, HYD STR 4 JIC(F) x 4 NPT(F)	1	F
5	36463	ADAP, HYD STR 12JIC 12ORB	1	F
6	37015	ADAP, HYD 90 4JIC 4ORB	2	F
7	5000483	ADAP, HYD DIAGNOSTIC 1/4 NPT (F)	1	F
8	33749	ADAP, HYD 45 12JIC 12JIC-F	2	F
9	36980	ADAP, HYD 90 12JIC 12ORB	2	F
10	5401629	ADAP, HYD 90 12 ORB 12 ORB	1	
11	44530	C/SCR, HH 1/2 UNC X 1-1/4 G8	2	F
12	44521	L/WASHER, 1/2 SAE G8	2	F
13	44621	WASHER, FLAT 1/2 SAE G8	2	F
14	44859	WASHER, FLAT 3/8 SAE G8	2	F
15	44536	C/SCR, HH 3/8 UNC X 1-1/2 G8	2	F
16	44520	L/WASHER, 3/8 SAE G8	2	F



5400531 PUMP DRIVE GRP, 4 STACK TIER III 02

5400531 PUMP DRIVE GRP, 4 STACK TIER III



LF230 2007-193 Thru Current

Copyright © 2019 Boat Longyear. All rights reserved.

Boat Longyear is constantly striving to improve its products and must therefore, reserve the right to change designs, materials, specifications and price without notice.



5400531 PUMP DRIVE GRP, 4 STACK TIER III 02

Item	Part No.	Name	Qty	Service
1	3546401	PUMP, HYD AXIAL PISTON 33CC OPTIONAL EQUIPMENT	1	
Comments for Part Num. 3546401				
COUPLING, HYD PUMP THRU DRIVE 15T 5406397ROLL PIN, PUMP COUPLING 5406398				
2	3541599	VALVE, HYD THREE-WAY SELECTOR 12 ORB	1	C
Comments for Part Num. 3541599				
REPLACEMENT KNOB KIT AVAILABLE UNDER P/N 5402692				
3	5000379	VALVE, WATER PUMP CONTROL	1	B
Comments for Part Num. 5000379				
SEAL KIT 5405906				
4	3549286	ADAP, HYD STR 4 JIC(F) x 4 NPT(F)	1	F
5	36463	ADAP, HYD STR 12JIC 12ORB	1	F
6	37015	ADAP, HYD 90 4JIC 4ORB	2	F
7	5000483	ADAP, HYD DIAGNOSTIC 1/4 NPT (F)	1	F
8	33749	ADAP, HYD 45 12JIC 12JIC-F	2	F
9	36980	ADAP, HYD 90 12JIC 12ORB	2	F
10	5401629	ADAP, HYD 90 12 ORB 12 ORB	1	
11	44530	C/SCR, HH 1/2 UNC X 1-1/4 G8	2	F
12	44521	L/WASHER, 1/2 SAE G8	2	F
13	44621	WASHER, FLAT 1/2 SAE G8	2	F
14	44859	WASHER, FLAT 3/8 SAE G8	2	F
15	44536	C/SCR, HH 3/8 UNC X 1-1/2 G8	2	F
16	44520	L/WASHER, 3/8 SAE G8	2	F

Comments for Page: 5400531 PUMP DRIVE GRP, 4 STACK TIER III 02

(#2 3541599)5402692 KNOB KIT REF

LF230 2007-193 Thru Current

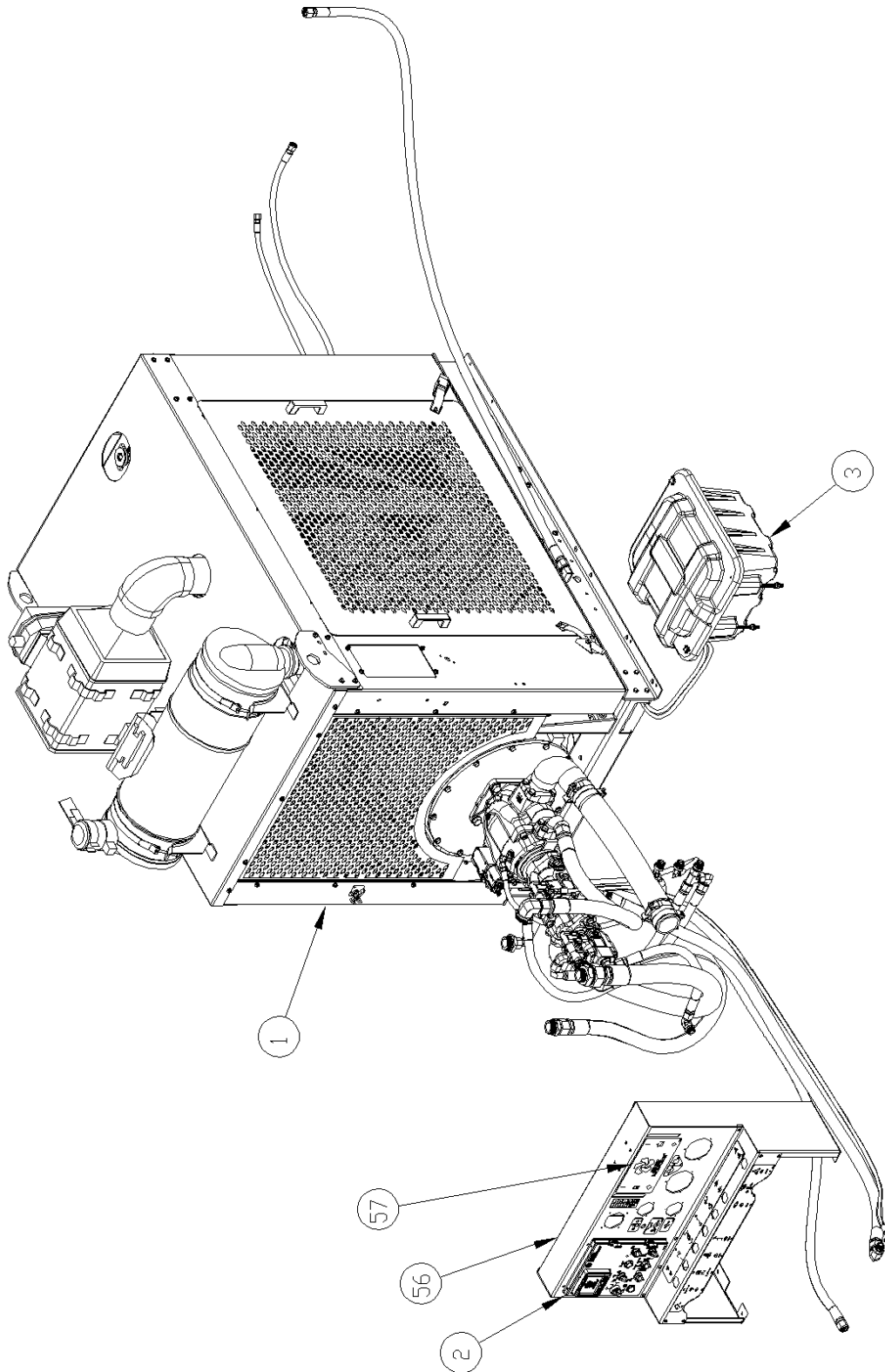
Copyright © 2019 Boart Longyear. All rights reserved.

Boart Longyear is constantly striving to improve its products and must therefore, reserve the right to change designs, materials, specifications and price without notice.



5405279 ENGINE GRP, LF230 QSL 9L TIER4i

5405279 ENGINE GRP, CUMMINS TIER 4i



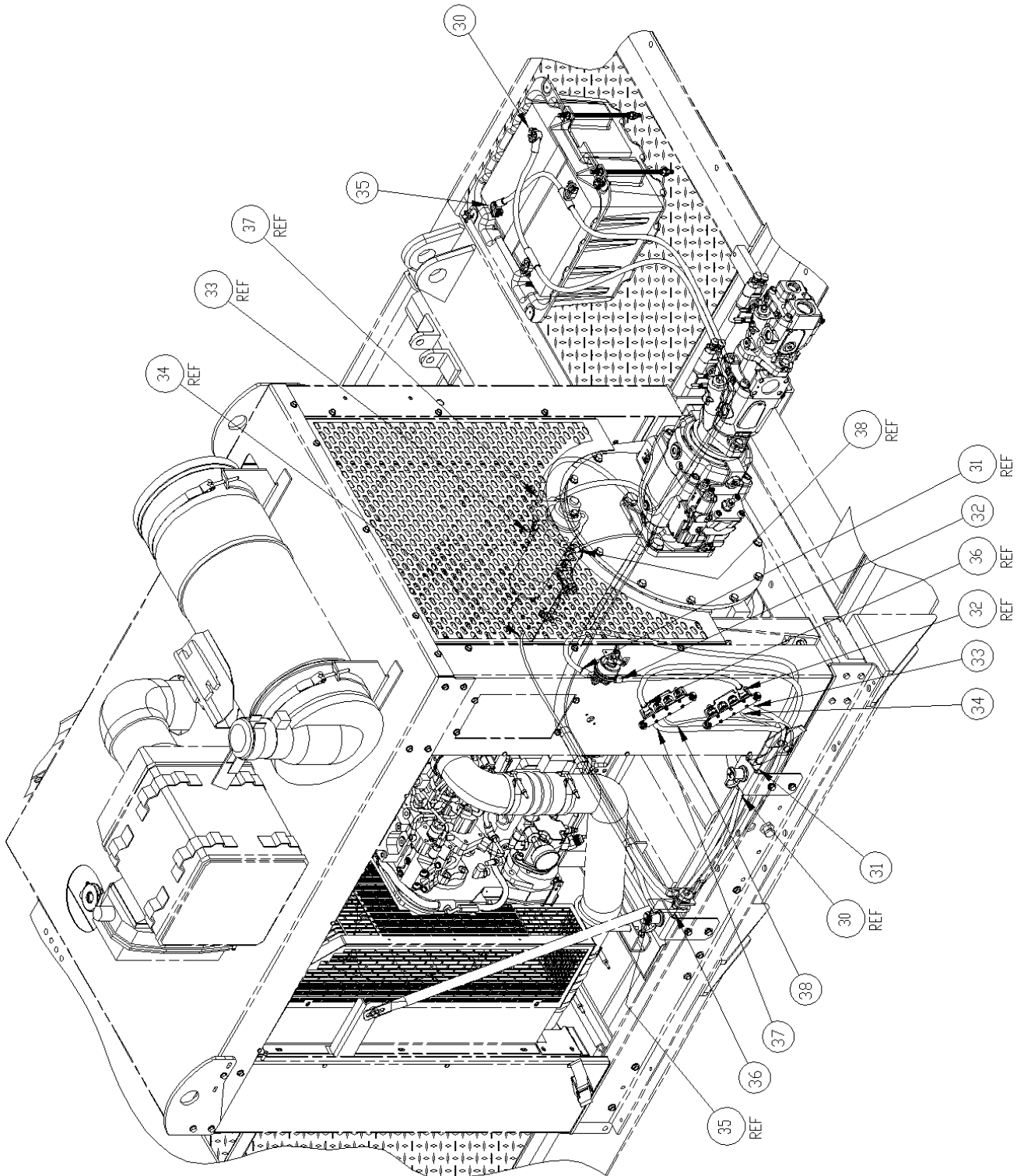
LF230 2007-193 Thru Current

Copyright © 2019 Boart Longyear. All rights reserved.

Boart Longyear is constantly striving to improve its products and must therefore, reserve the right to change designs, materials, specifications and price without notice.



5405279 ENGINE GRP, LF230 QSL 9L TIER4i



LF230 2007-193 Thru Current

Copyright © 2019 Boart Longyear. All rights reserved.

Boart Longyear is constantly striving to improve its products and must therefore, reserve the right to change designs, materials, specifications and price without notice.



Item	Part No.	Name	Qty	Service
1	5404906	ENGINE ASM, QSL9L TIER4i	1	D
2	5405237	INTERCONNECTING GRP, LF230 TIER4i	1	D
3	5405628	BATTERY GROUP, LF230 Tier 4i	1	D
4	5405427	ADAP, HYD SPLIT FLANGE KIT 16 SAE CODE 61	1	F
5	3541047	SPLIT FLANGE KIT, 1 1/4" (CODE 62)	1	F
28	3540724	CLAMP, HOSE 3"	4	F
30	5405399	CABLE ASM, BATTERY TO CHARGE LUG	1	D
31	5405400	CABLE ASM, CHARGE LUG TO DISCONNECT	1	D
32	5405401	CABLE ASM, DISCONNECT TO BUSS	1	D
33	5405402	CABLE ASM, BUSS TO STARTER	1	D
34	5405403	CABLE ASM, BUSS TO ECM	1	D
35	5405404	CABLE ASM, BATTERY TO CHAGE LUG	1	D
36	5405406	CABLE ASM, CHARGE LUG TO BUSS	1	D
37	5405405	CABLE ASM, BUSS TO STARTER	1	D
38	5405407	CABLE ASM, BUSS TO ECM	1	D
56	5405104	UPPER CONSOLE WELDMENT	1	D
57	5405176	DECAL GRP, LF230 UPPER CONSOLE	1	

LF230 2007-193 Thru Current

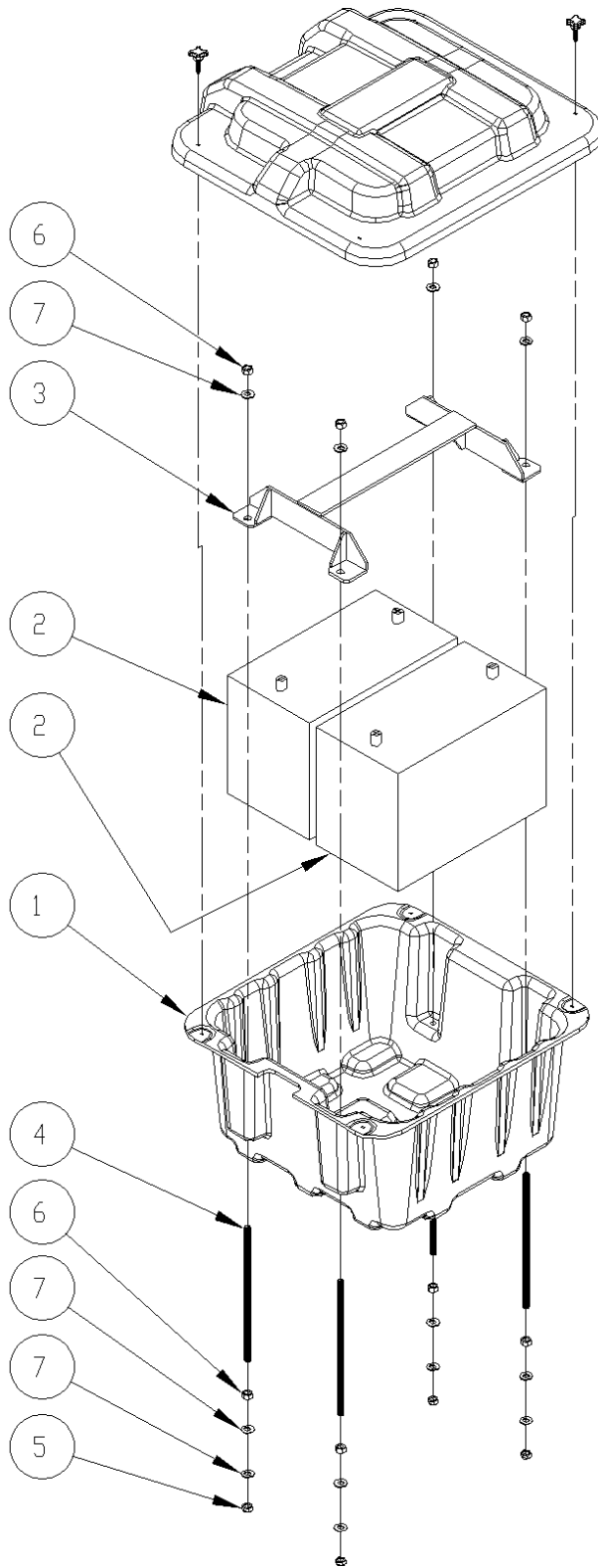
Copyright © 2019 Boart Longyear. All rights reserved.

Boart Longyear is constantly striving to improve its products and must therefore, reserve the right to change designs, materials, specifications and price without notice.



5405628 BATTERY GRP, LF230 TIER4i

5405279 ENGINE GRP, CUMMINS TIER 4i



LF230 2007-193 Thru Current

Copyright © 2019 Boart Longyear. All rights reserved.

Boart Longyear is constantly striving to improve its products and must therefore, reserve the right to change designs, materials, specifications and price without notice.



Item	Part No.	Name	Qty	Service
1	5405391	BATTERY BOX, DUAL TYPE 31	1	D
2	5405392	BATTERY, 12V 950 CCA	2	D
3	5405393	RETAINER, BATTERY	1	D
4	5405629	THREADED ROD, 3/8-16 UNC x 254	4	D
5	22915	L/NUT, HEX STOVER 3/8-16 UNC	4	F
6	44527	NUT, HEX 3/8 UNC G8	8	F
7	44859	WASHER, FLAT 3/8 SAE G8	12	F

LF230 2007-193 Thru Current

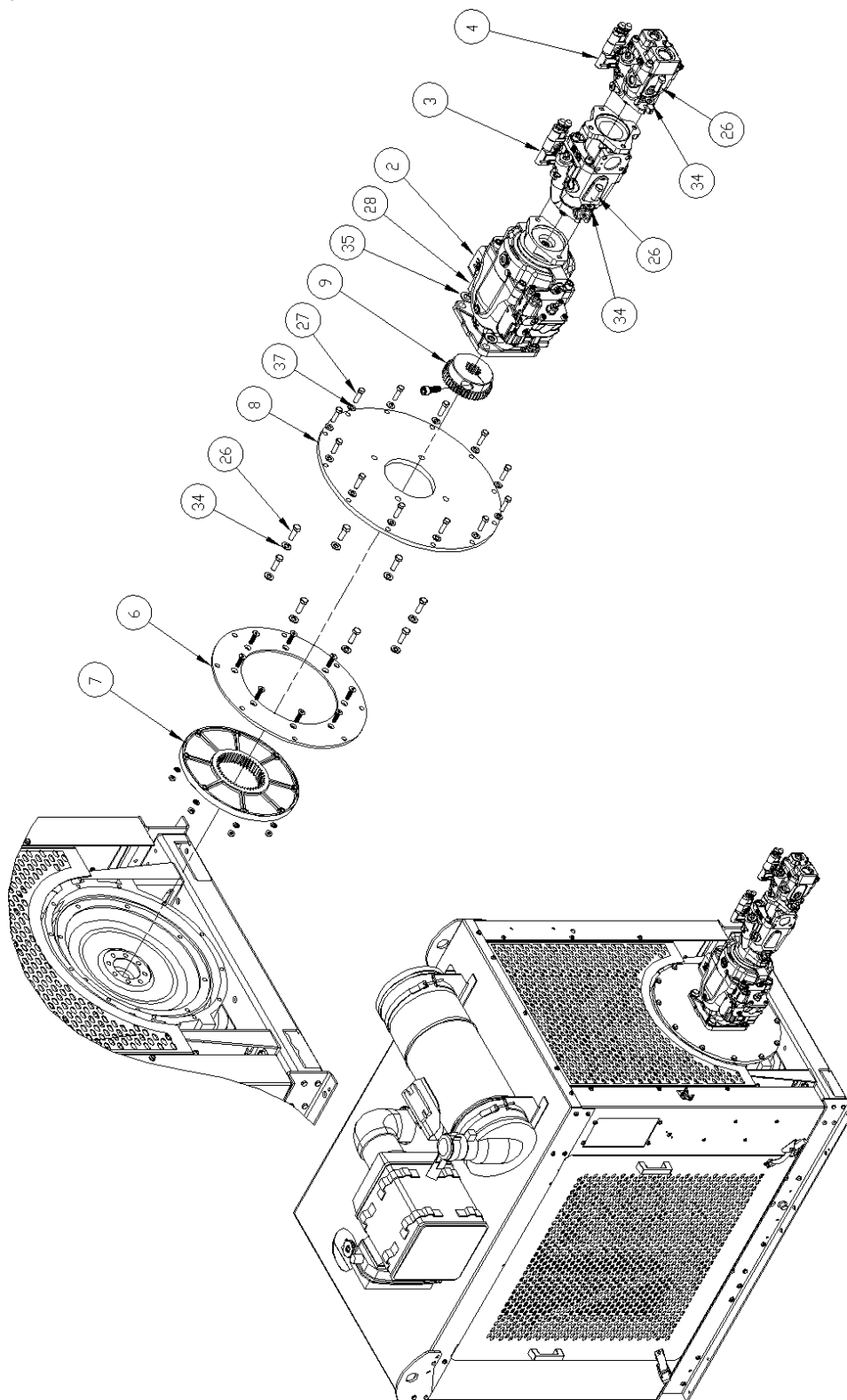
Copyright © 2019 Boart Longyear. All rights reserved.

Boart Longyear is constantly striving to improve its products and must therefore, reserve the right to change designs, materials, specifications and price without notice.



5404906 ENGINE ASM, QSL9L TIER 4i

5405279 ENGINE GRP, CUMMINS TIER 4i



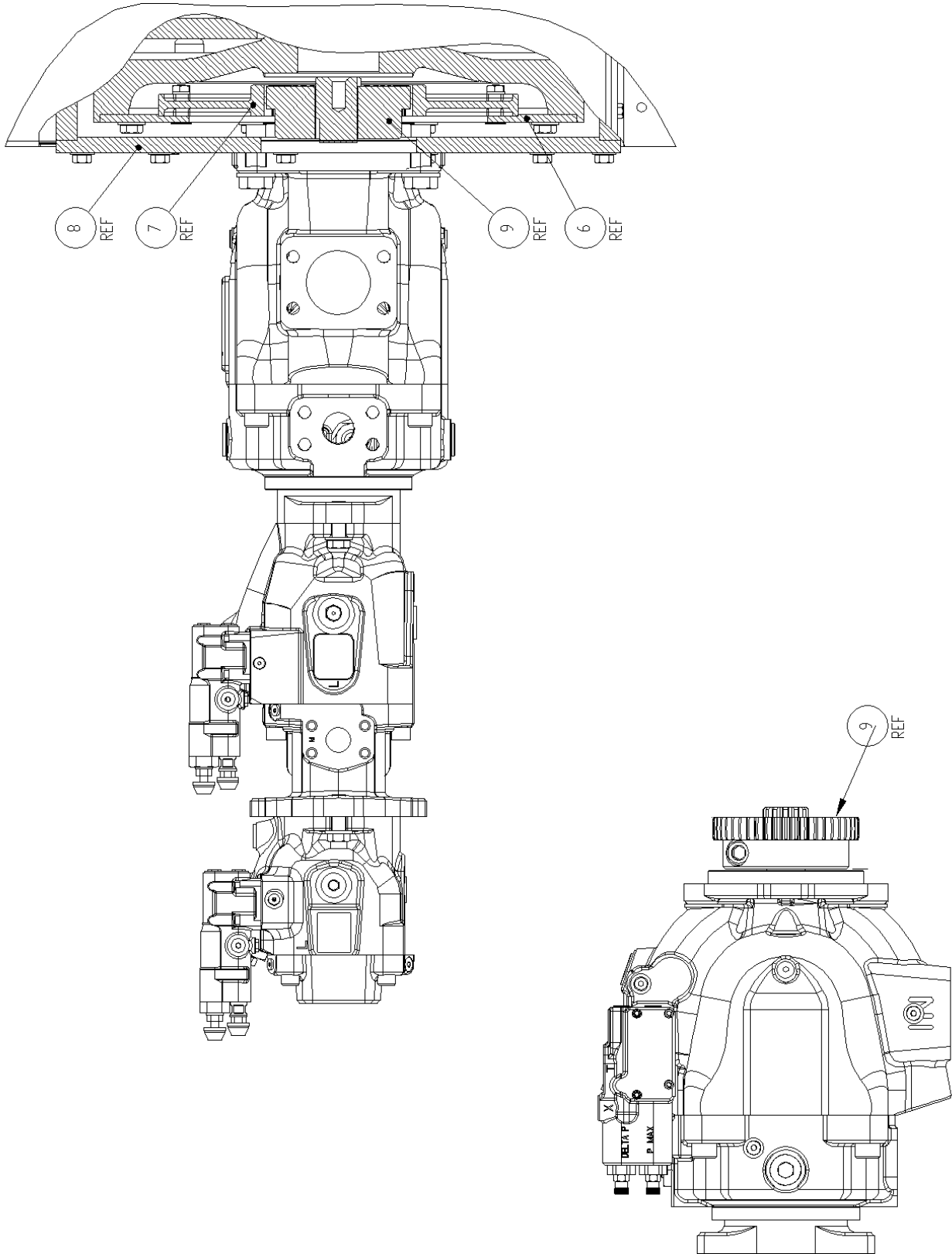
LF230 2007-193 Thru Current

Copyright © 2019 Boart Longyear. All rights reserved.

Boart Longyear is constantly striving to improve its products and must therefore, reserve the right to change designs, materials, specifications and price without notice.



5404906 ENGINE ASM, QSL9L TIER 4i



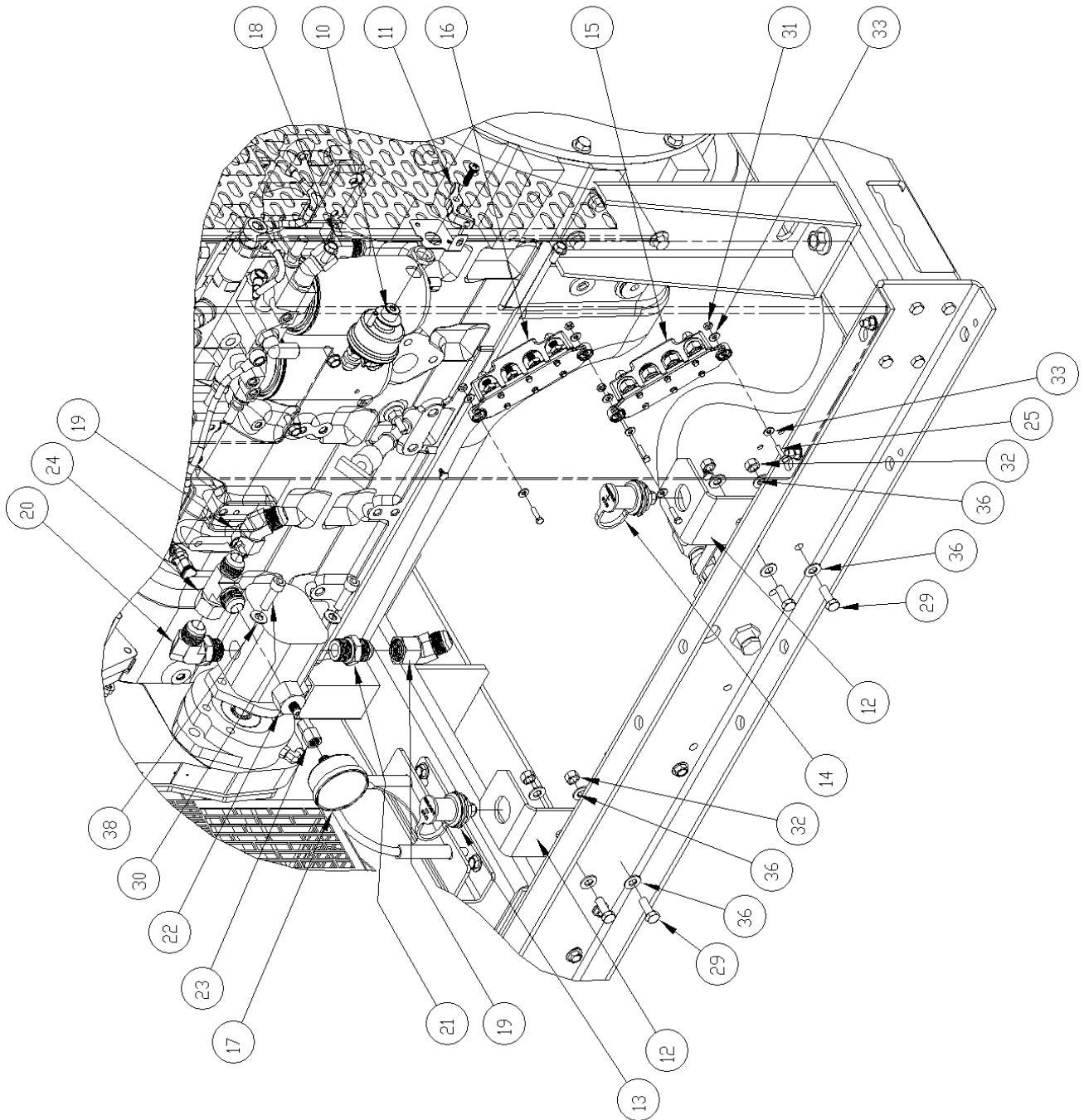
LF230 2007-193 Thru Current

Copyright © 2019 Boart Longyear. All rights reserved.

Boart Longyear is constantly striving to improve its products and must therefore, reserve the right to change designs, materials, specifications and price without notice.



5404906 ENGINE ASM, QSL9L TIER 4i



LF230 2007-193 Thru Current

Copyright © 2019 Boart Longyear. All rights reserved.

Boart Longyear is constantly striving to improve its products and must therefore, reserve the right to change designs, materials, specifications and price without notice.



Item	Part No.	Name	Qty	Service
1	5404383	ENGINE, CUMMINS QSL 9.0 TIER 4i (BARE)	1	D
2	3546726	PUMP, HYD PISTON 145 CC	1	C
Comments for Part Num. 3546726 PUMP SEAL KIT # 3547284 PUMP COMPENSATOR # 5004038 PUMP COUPLING # 5405512				
3	5404396	PUMP, HYD AXIAL PISTON 41 CC	1	C
Comments for Part Num. 5404396 SHAFT SEAL # 5405518				
4	5404397	PUMP, HYD AXIAL PISTON 28 CC	1	C
Comments for Part Num. 5404397 SHAFT SEAL # 5405519 PILOT O-RING # 5405613				
5	5004349	PUMP, HYD GEAR 12 CC	1	C
6	3548593	FLANGE, FLYWHEEL DRIVE CPLG	1	D
7	3548592	ADAPTER, 14" NYLON	1	B
8	3546722	PLATE, PUMP MOUNTING SAE 1	1	D
9	5000318	HUB, SAE D SPLINE	1	B
10	3548351	SWITCH, 2000AMP DISCONNECT	1	C
11	3548039	LEVER, LOCKOUT	1	C
12	5405398	BRACKET, CHARGING LUG	2	D
13	5405395	CHARGING LUG, NEGATIVE	1	D
14	5405394	CHARGING LUG, POSITIVE	1	D
15	5405396	BUSS BAR, POSITIVE (RED)	1	D
16	5405397	BUSS BAR, NEGATIVE (BLACK)	1	D
17	3548136	GAUGE, HYD PRESSURE 0-3000 PSI	1	A
18	38975	ELBOW 45° 7/8" JIF M-F SWIVEL	1	F
19	33749	ADAP, HYD 45 12JIC 12JIC-F	2	F
20	36980	ADAP, HYD 90 12JIC 12ORB	1	F
21	36463	ADAP, HYD STR 12JIC 12ORB	1	F
22	60831	ADAP, #12 JIC (F) x #4 JIC	1	F

LF230 2007-193 Thru Current

Copyright © 2019 Boart Longyear. All rights reserved.

Boart Longyear is constantly striving to improve its products and must therefore, reserve the right to change designs, materials, specifications and price without notice.



Item	Part No.	Name	Qty	Service
23	306220	ADAP, HYD #4 JIC(F) x #4 NPT(F)	1	F
24	33749	ADAP, HYD 45 12JIC 12JIC-F	1	F
25	44707	C/SCR, HH 10-24 UNC x 3/4	4	F
26	44510	C/SCR, HH 1/2 UNC X 1-1/2 G8	12	F
27	45767	C/SCR, HH 7/16 UNC X 1-1/2 G8	12	F
28	44748	C/SCR, HH 3/4 UNC X 2 G8	4	F
29	44512	C/SCR, HH 3/8 UNC X 1 G8	4	F
30	93280	C/SCR, SH M10-1.5 X 35 G12.9	2	F
31	44541	NUT, HEX #10 UNC G2	4	F
32	44527	NUT, HEX 3/8 UNC G8	4	F
33	44771	WASHER, FLAT #10 SAE G8	8	F
34	44621	WASHER, FLAT 1/2 SAE G8	12	F
35	46091	WASHER, FLAT 3/4 SAE G8	4	F
36	44859	WASHER, FLAT 3/8 SAE G8	8	F
37	40012	WASHER, FLAT 7/16 SAE G8	12	F
38	93252	WASHER, FLAT M10 SAE G2	2	F

LF230 2007-193 Thru Current

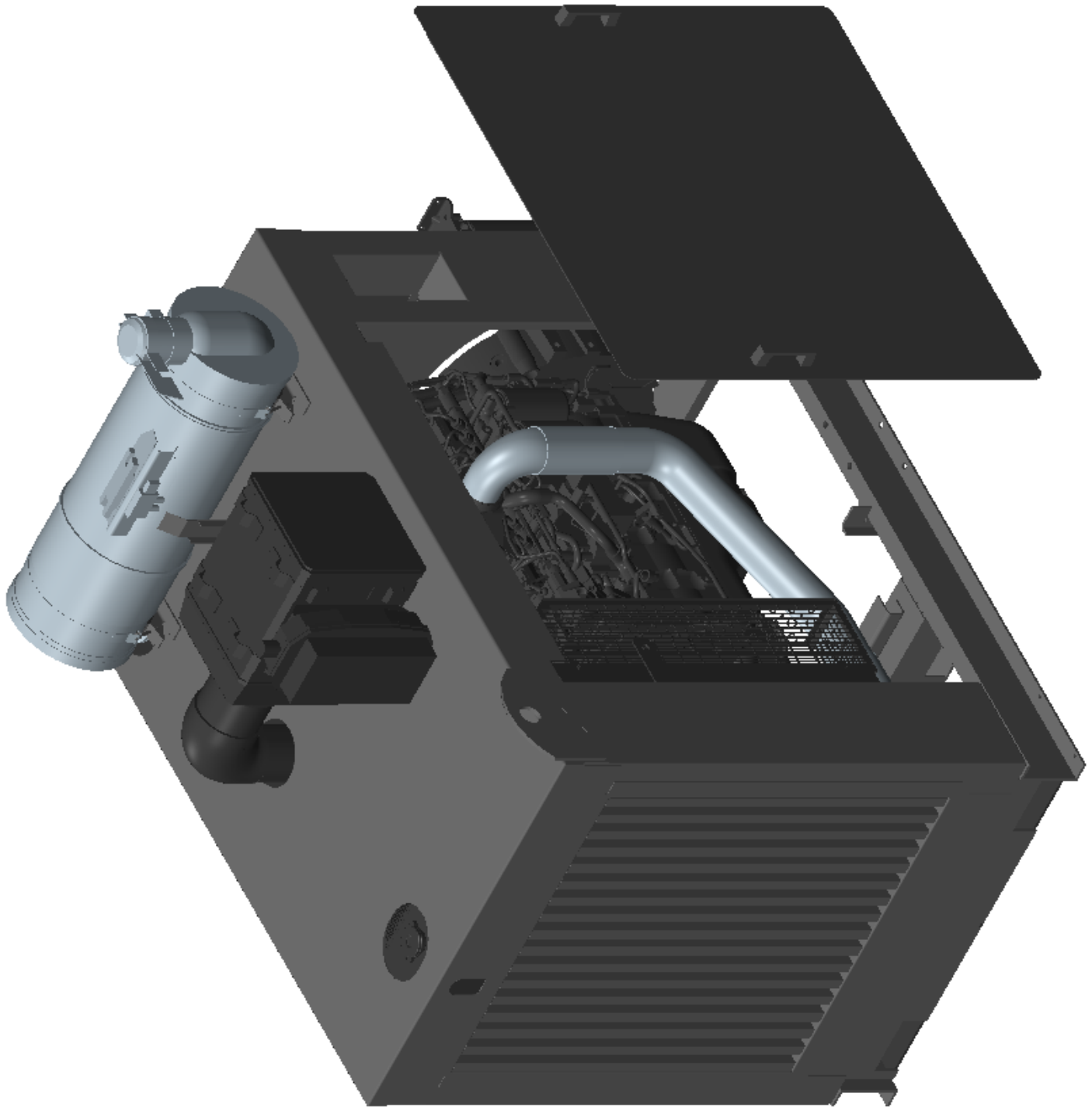
Copyright © 2019 Boart Longyear. All rights reserved.

Boart Longyear is constantly striving to improve its products and must therefore, reserve the right to change designs, materials, specifications and price without notice.



5404383 ENGINE , CUMMINS QSL 9.0L TIER 4i (BARE)

5405279 ENGINE GRP, CUMMINS TIER 4i



LF230 2007-193 Thru Current

Copyright © 2019 Boat Longyear. All rights reserved.

Boat Longyear is constantly striving to improve its products and must therefore, reserve the right to change designs, materials, specifications and price without notice.



Item	Part No.	Name	Qty	Service
1	5405223	KIT, CUMMINS QSL FILTER SPARES 1000 HR	REF	E
2	5405498	FAN, ENGINE BLOWER 30 IN	REF	C
3	5405499	ALTERNATOR, CUMMINS QSL 9 L 12VDC	REF	A
4	5405501	THERMOSTAT, CUMMINS QSL9L	REF	C
5	5405502	BELT. V RIBBED	REF	A
6	5405503	TENSIONER, BELT	REF	C
7	5405504	STARTER, CUMMINS QSL 9L 12VDC	REF	C
8	5405505	WATER PUMP, CUMMINS QSL 9L	REF	C
9	5405506	SENSOR, COOLANT LEVEL	REF	A
10	5405507	RADIATOR, C/W CHARGE AIR COOLER	REF	C
11	5401463	FUSE, 15 AMP	REF	A
12	5401464	FUSE. 30 AMP	REF	A

LF230 2007-193 Thru Current

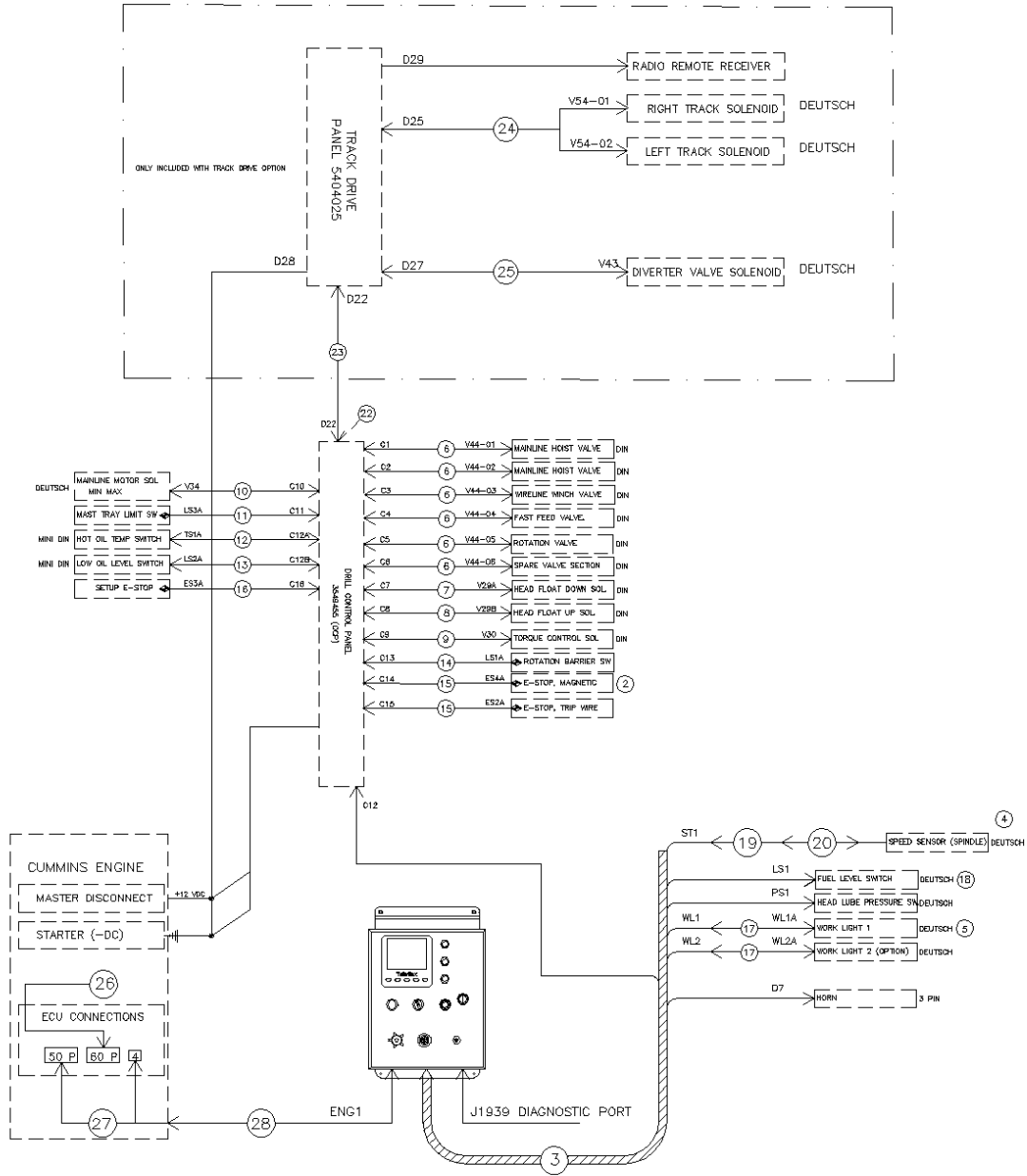
Copyright © 2019 Boat Longyear. All rights reserved.

Boat Longyear is constantly striving to improve its products and must therefore, reserve the right to change designs, materials, specifications and price without notice.



5405279 INTERCONNECTING GRP, LF230 TIER 4i

5405279 ENGINE GRP, CUMMINS TIER 4i



5405237 REV A
LF230
CUMMINS TIER 4i

LF230 2007-193 Thru Current

Copyright © 2019 Boat Longyear. All rights reserved.

Boat Longyear is constantly striving to improve its products and must therefore, reserve the right to change designs, materials, specifications and price without notice.



Item	Part No.	Name	Qty	Service
1	5404972	PANEL ASM, ENGINE CONTROL TIER 4i	1	D
Comments for Part Num. 5404972				
PANEL SPARES KIT # 5405891				
2	3549272	EMERGENCY STOP, MAGNETIC REMOTE	1	C
3	5405379	HARNES ASM, LF230 OCP	1	D
4	5405035	SENSOR, HALL EFFECT	1	C
5	5405375	WORK LIGHT ASM, 12V LED	1	D
6	5003452	CABLE ASM, TURK / DIN 1400 OAL	6	D
7	5003453	CABLE ASM, TURK / DIN 995 OAL	1	D
8	5003515	CABLE ASM, TURK / DIN 1400 OAL	1	D
9	3547347	CABLE ASM, TURK / DIN 1096 OAL	1	D
10	5402910	CABLE ASM, TURCK/DEUTSCH 3432 OAL	1	D
11	3547349	CABLE ASM, TURK / DIN 5974 OAL	1	D
12	5003454	CABLE ASM, TURK / DIN 3128 OAL	1	D
13	5003455	CABLE ASM, TURK / DIN 3115 OAL	1	D
14	3547353	CABLE ASM, TURK / DIN 2032 OAL	1	D
15	5003456	CABLE ASM, TURK / DIN 9194 OAL	2	D
16	5402737	CABLE, SETUP E-STOP C16	1	D
17	5405360	CABLE ASM, WORK LIGHT	1	D
18	5405376	SENDER, FUEL TANK	1	D
19	5405363	TACH CABLE ASM, X1	1	D
20	5405364	TACH CABLE ASM, X2	1	D
23	5404013	CABLE ASM, 14 PIN, x 56 LG	REF	D
24	5404014	CABLE ASM, TRACTION VALVE	REF	D
25	5404015	CABLE ASM, DIVERTER VALVE	REF	D

LF230 2007-193 Thru Current

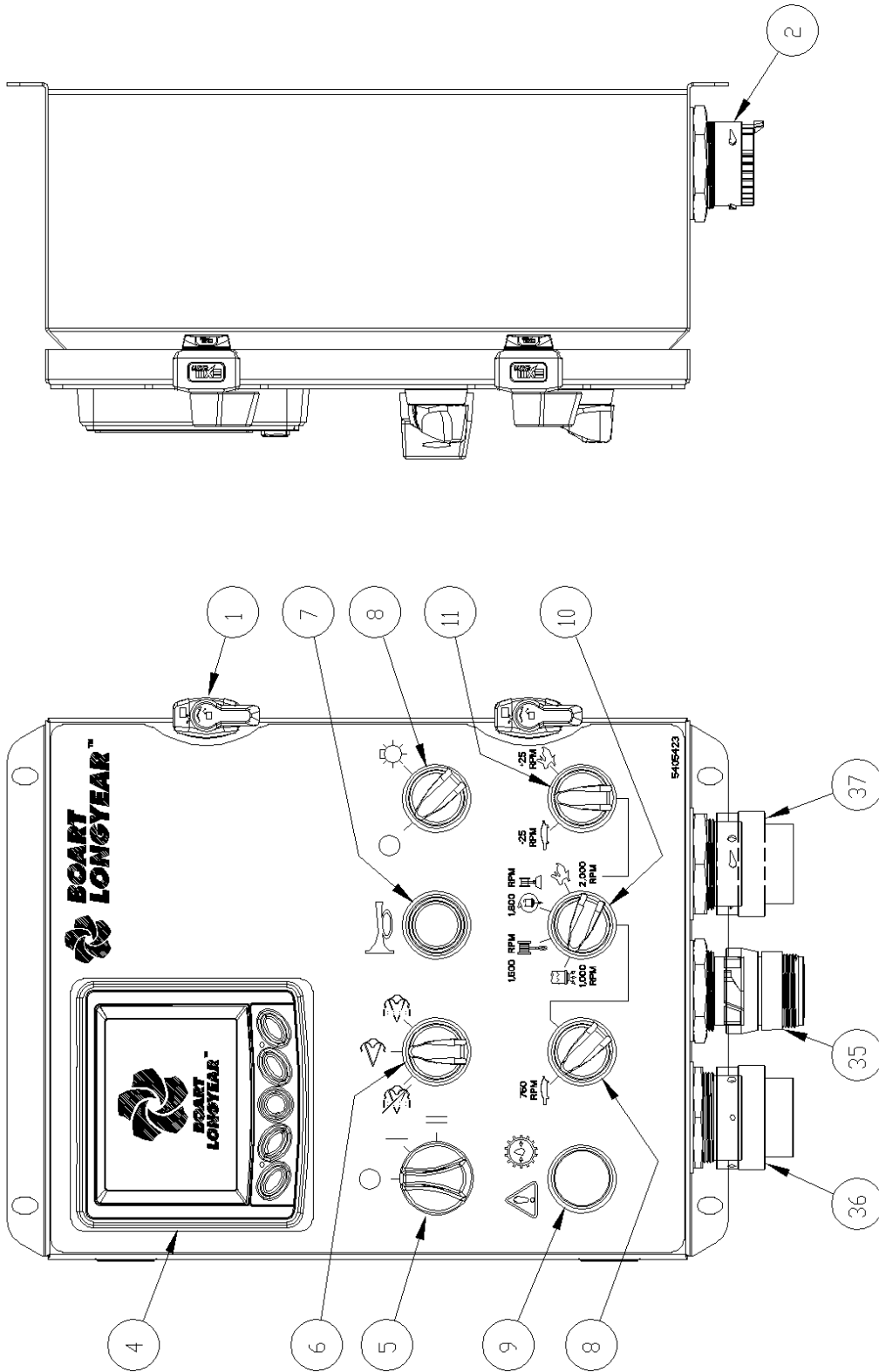
Copyright © 2019 Boart Longyear. All rights reserved.

Boart Longyear is constantly striving to improve its products and must therefore, reserve the right to change designs, materials, specifications and price without notice.



5404972 PANEL ASM, ENGINE CONTROL TIER 4i

5405279 ENGINE GRP, CUMMINS TIER 4i



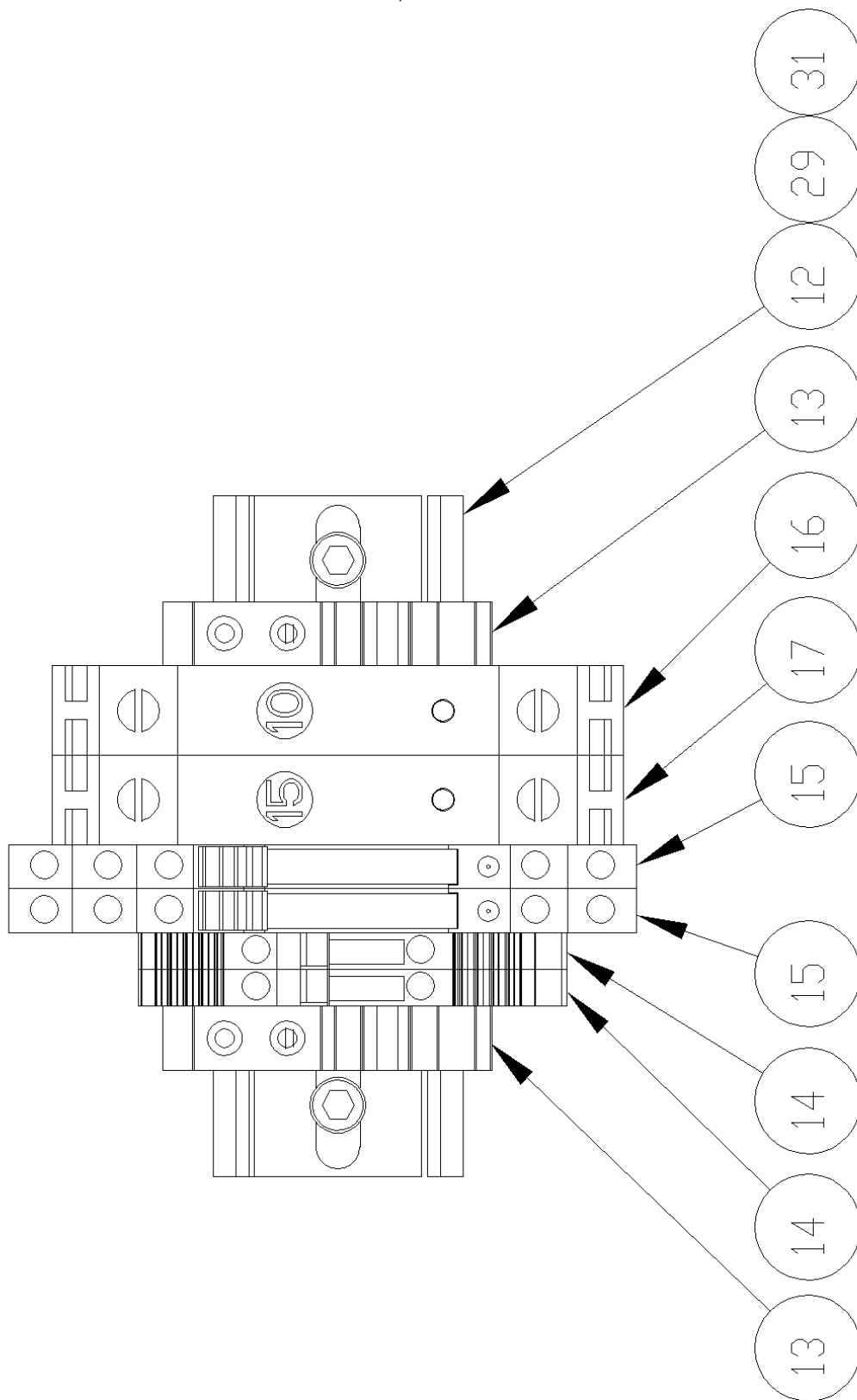
LF230 2007-193 Thru Current

Copyright © 2019 Boat Longyear. All rights reserved.

Boat Longyear is constantly striving to improve its products and must therefore, reserve the right to change designs, materials, specifications and price without notice.



5404972 PANEL ASM, ENGINE CONTROL TIER 4i



LF230 2007-193 Thru Current

Copyright © 2019 Boart Longyear. All rights reserved.

Boart Longyear is constantly striving to improve its products and must therefore, reserve the right to change designs, materials, specifications and price without notice.



Item	Part No.	Name	Qty	Service
4	5405235	DISPLAY, ENGINE MONITOR	1	A
5	3549234	SWITCH, IGNITION	1	C
6	5405280	SWITCH ASM, 3 POSITION	1	A
7	5405283	BUTTON ASM, GREEN	1	A
8	5405285	SWITCH ASM, 2 POSITION	2	A
9	5405287	LIGHT ASM, RED LED	1	A
10	5405290	SWITCH ASM, 4 POSITION	1	A
11	5405292	SWITCH ASM, 3 POSITION	1	A
15	5003569	RELAY, 12VDC DIN MOUNTED	2	C
16	3541330	BREAKER, 10 AMP (MCB)	1	A
17	3547303	BREAKER, 15 AMP	1	A
33A	5405278	DECAL, ENGINE CONTROL PANEL LF230	REF	D
33B	5405423	DECAL, ENGINE CONTROL PANEL LF90D	REF	D

LF230 2007-193 Thru Current

Copyright © 2019 Boart Longyear. All rights reserved.

Boart Longyear is constantly striving to improve its products and must therefore, reserve the right to change designs, materials, specifications and price without notice.



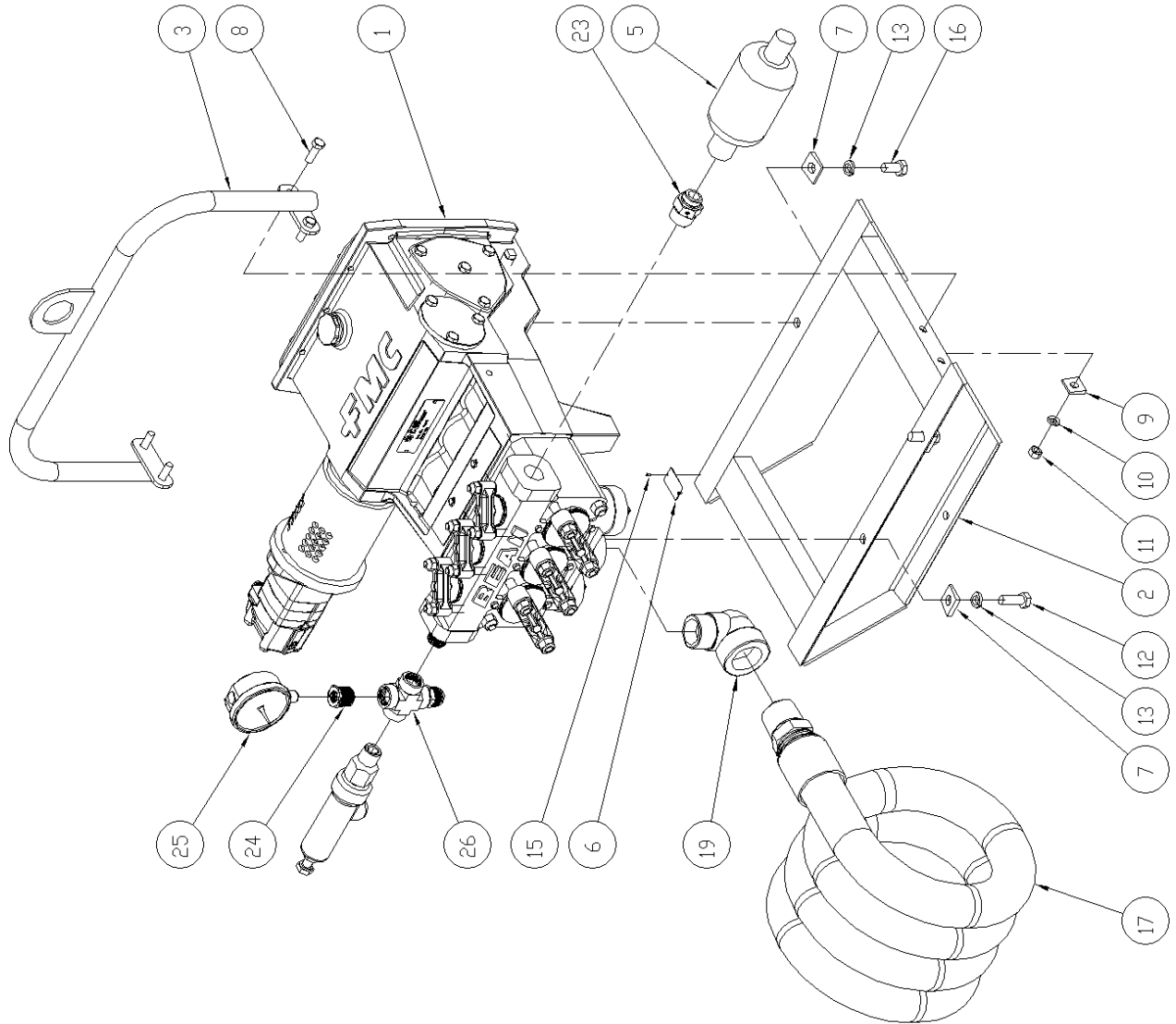
Referenced Pages

5003500 SCHMATIC LF230 ELECTRIC CONTROL 175



3547029 W11 CIRCULATION PUMP

3547029 W11 CIRCULATION PUMP



LF230 2007-193 Thru Current

Copyright © 2019 Boat Longyear. All rights reserved.

Boat Longyear is constantly striving to improve its products and must therefore, reserve the right to change designs, materials, specifications and price without notice.



Item	Part No.	Name	Qty	Service
REF	3547029	WATER PUMP ASM, HYD 535 c/w SKID	REF	D
1	3549549	WATER PUMP ASM, HYD 535 FLUID CIRCULATION	1	D
2	3543281	SKID, WATER PUMP (W11)	1	D
3	3543282	BAR, LIFTING (W11) PUMP	1	D
5	3544479	ACCUMULATOR, 1 QUART	1	
6	38298	PLATE, ASSEMBLY IDENTIFICATION	1	E
7	19325	WASHER, BEVEL 5/8ID G2	3	F
8	44510	C/SCR, HH 1/2 UNC X 1-1/2 G8	4	F
9	17121	WASHER, 1/2 BEVEL	4	F
10	44521	L/WASHER, 1/2 SAE G8	4	F
11	44525	NUT, HEX 1/2 UNC G8	4	F
12	44514	C/SCR, HH 5/8 UNC X 1-3/4 G8	2	F
13	44522	L/WASHER, 5/8 SAE G8	3	F
15	23183	SCREW, DRIVE	2	E
16	44544	C/SCR, HH 5/8 UNC X 1-3/4 G8	1	F
17	14570	HOSE ASM, SUCTION 2" X 20FT	1	D
19	28020	INTAKE ASSEMBLY, SUCTION 18682A	1	F
23	5406603	ADAP, HYD STR 1-1/4 NPT 16 ORB	1	
24	34081	ADAP HYD 1" NPT x 1/2 NPT-F	1	
25	3548141	GAUGE, PRESSURE	1	B
26	34197	ADAP HYD CROSS 1" NPT	1	

LF230 2007-193 Thru Current

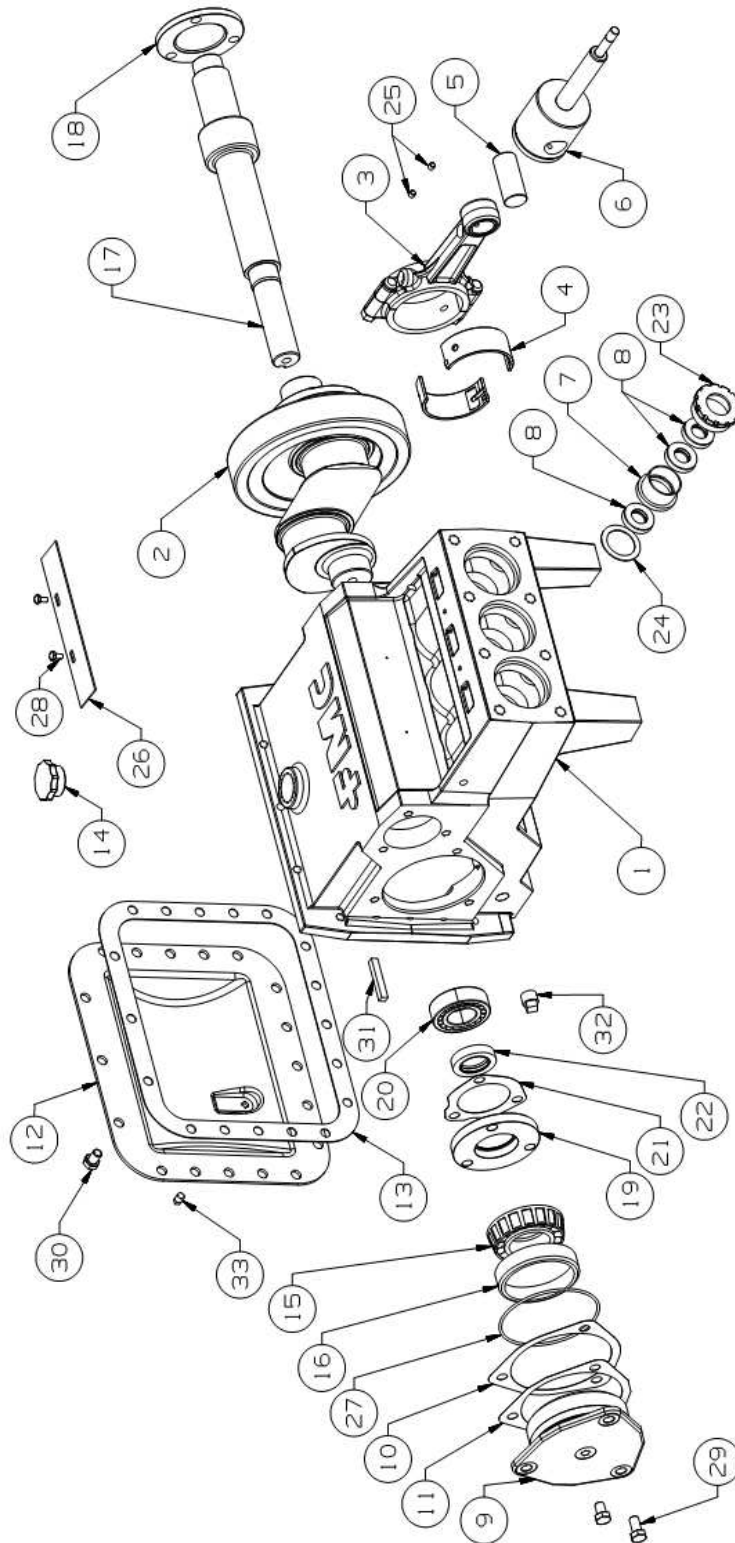
Copyright © 2019 Boat Longyear. All rights reserved.

Boat Longyear is constantly striving to improve its products and must therefore, reserve the right to change designs, materials, specifications and price without notice.



24821 PUMP ASSEMBLY, WATER 35GPM

3547029 W11 CIRCULATION PUMP



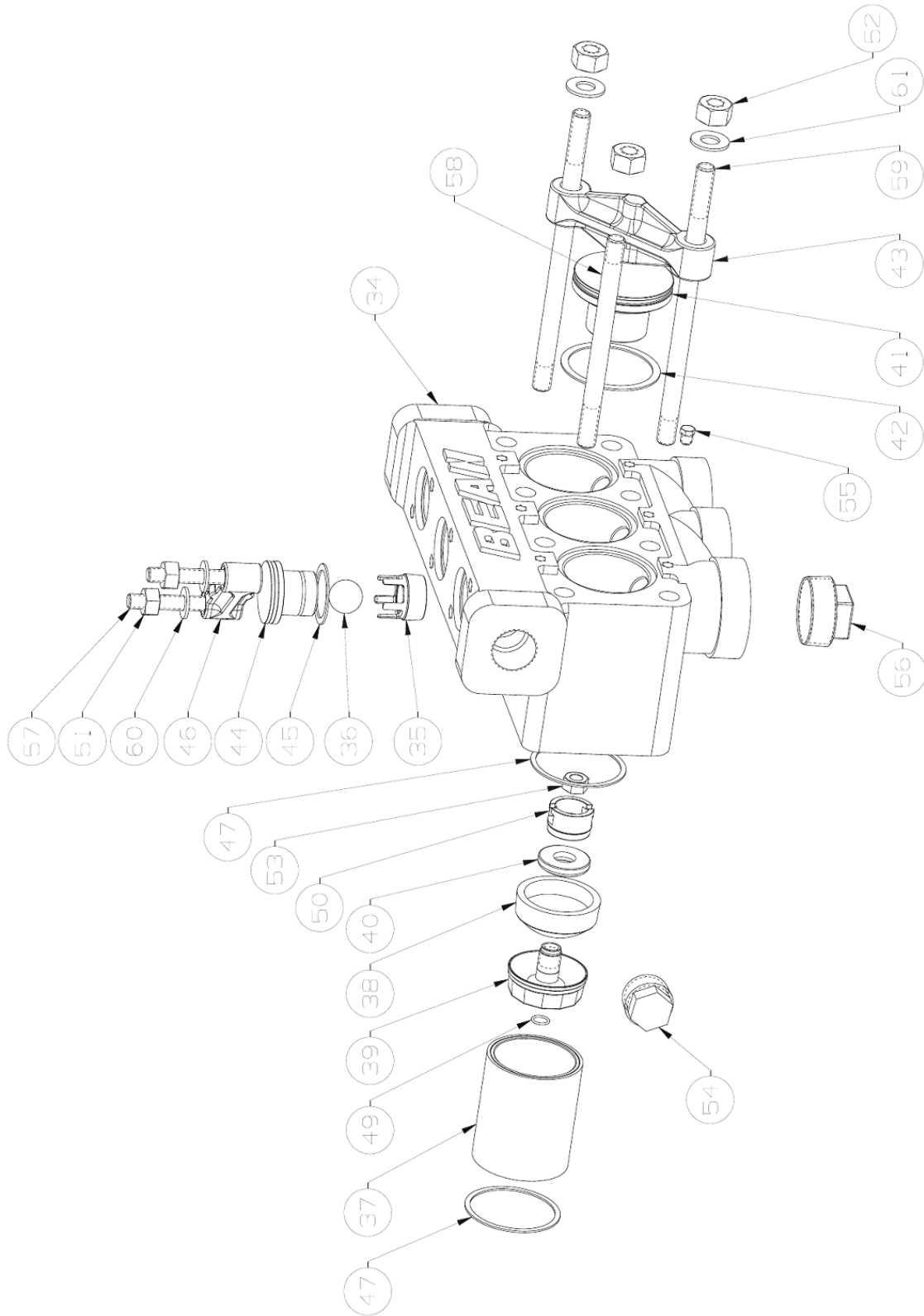
LF230 2007-193 Thru Current

Copyright © 2019 Boat Longyear. All rights reserved.

Boat Longyear is constantly striving to improve its products and must therefore, reserve the right to change designs, materials, specifications and price without notice.



24821 PUMP ASSEMBLY, WATER 35GPM



LF230 2007-193 Thru Current

Copyright © 2019 Boat Longyear. All rights reserved.

Boat Longyear is constantly striving to improve its products and must therefore, reserve the right to change designs, materials, specifications and price without notice.



Item	Part No.	Name	Qty	Service
1	79105	PUMP CASE	1	D
2	79122	CRANKSHAFT	1	C
3	75077	CONNECTING ROD	3	C
3a	75032	BUSHING, CONNECTING ROD	3	B
3b	78547	BOLT, CONNECTING ROD	6	F
3c	60899	NUT, ELASTIC STOP 1/2-20 UNF	6	F
4	75033	BEARING INSERT 1 PR 1284709	3	B
5	75076	PIN, WRIST	3	C
6	75072	CROSSHEAD & ROD ASSEMBLY	3	C
7	79320	SLEEVE, PACKING NUT	3	
8	79321	SEAL, OIL CROSSHEAD W11 AND L16 PUMPS	9	B
9	79114	HOUSING, CRANKSHAFT BEARING	2	C
10	75044	GASKET, CRANKSHAFT BEARING	2	B
11	79113	SHIM .005" THICK	2	B
12	79123	COVER, PLATE	1	D
13A	75045	GASKET, COVER	1	B
13B	3548244	GASKET, COVER 18 HOLE	1	C
14	79081	CAP, OIL FILLER	1	C
15	79121	CONE, BEARING	2	B
16	79120	CUP, BEARING	2	B
17	79116	PINION SHAFT	1	C
<p>Comments for Part Num. 79116</p> <p>Replacement 5405387 PINION SHAFT. Bearing set changed, 4033641 BEARING, SPERICAL ROLLER. Order PTO Kit - 5405389 PINION SHAFT, FIELD KIT UPGRADE. Includes 5405387 and 4033641.</p>				
18	79108	CAP, PINION BEARING	1	C
19	3670370	CAP-BEARING, PINION(OPEN)	1	D
20	18208	BALL BEARING, CRANKSHAFT	2	B
21	75043	GASKET, PINION BEARING	2	B
22	3670327	SEAL, SHAFT	1	B
23	79326	NUT, OIL SEAL RETAINING	3	B
24	3670508	GASKET, PACKING NUT	3	B
25	79904	S/SCR, SH 5/16-18 UNC x 5/16"	6	F

LF230 2007-193 Thru Current

Copyright © 2019 Boart Longyear. All rights reserved.

Boart Longyear is constantly striving to improve its products and must therefore, reserve the right to change designs, materials, specifications and price without notice.



Item	Part No.	Name	Qty	Service
29	44530	C/SCR, HH 1/2 UNC X 1-1/4 G8	12	F
30	44529	C/SCR, HH 1/2 UNC X 3/4 G8	18	F
32	79112	PLUG, MAGNETIC 1/2"NPT	2	C
34	79325	VALVE, CHAMBER	1	B
35	79324	SEAT, W11 VALVE	6	B
36	26157	BALL, 1-1/8 S/S	6	B
37	79103	CERAMIC LINED STEEL	3	B
38A	79606	CUP, PLUNGER W11 TYPE A	3	B
Comments for Part Num. 79606 STANDARD STYLE PISTON CUP - EASY INSTALLATION				
38B	75003	CUP, PLUNGER W11 TYPE B	3	
Comments for Part Num. 75003 OLDER STYLE PISTON CUP FOR HIGH ABRASIVE / SEVERE CONDITIONS - MORE DIFFICULT INSTALLATION- REFER TO OPERATORS MANUAL FOR DETAILED INSTALLATION INSTRUCTIONS				
39	75037	HOLDER, PISTON CUP	3	B
40	75062	WASHER, PLUNGER CUP	3	B
41	63684	COVER, CYLINDER	3	B
42A	79323	GASKET, CYLINDER HEAD (KEVLAR) NEW STYLE	3	B
42B	75071	GASKET, CYLINDER HEAD (COPPER) OLD STYLE	REF	E
43	79101	CLAMP, CYLINDER HEAD	3	B
44	79882	COVER, VALVE	3	B
45A	79334	GASKET, VALVE COVER KEVLAR	3	B
45B	75069	GASKET, VALVE COVER (COPPER) OLD STYLE	REF	B
46	78541	CLAMP, VALVE COVER	3	B
47A	79322	GASKET, CYL JOINT NITRILE	6	B
47B	75070	GASKET, CYLINDER JOINT (COPPER) OLD STYLE	REF	E
49	79327	O-RING, PACK HOLDER	3	A
50	75012	NUT, PACKING	3	A
51	44525	NUT, HEX 1/2 UNC G8	6	F
52	44526	NUT, HEX 5/8 UNC G8	8	F
53	75027	NUT, PLUNGER	3	B

LF230 2007-193 Thru Current

Copyright © 2019 Boart Longyear. All rights reserved.

Boart Longyear is constantly striving to improve its products and must therefore, reserve the right to change designs, materials, specifications and price without notice.



24821 PUMP ASSEMBLY, WATER 35GPM

Item	Part No.	Name	Qty	Service
54	18183	ADAP, HYD PLUG HH 1 -1/4 NPT	1	F
55	94411	PLUG, LM37 1/8 NPT	6	F
56	28097	PLUG, 2" NPT SQ HD	2	C
57	75022	STUD 1/2 x 3-1/4" Lg.	6	B
58	75042	STUD, CYLINDER	2	B
59	75041	STUD, LONG 5/8" DIA.	6	B
100	75019	TOOL, PLUNGER / PACKING SERVICE	1	B
101	79333	TOOL, VALVE SEAT REMOVER	1	B

Comments for Page: 24821 PUMP ASSEMBLY, WATER 35GPM

36686 KIT, 435 BEAN W11 SPARES

LF230 2007-193 Thru Current

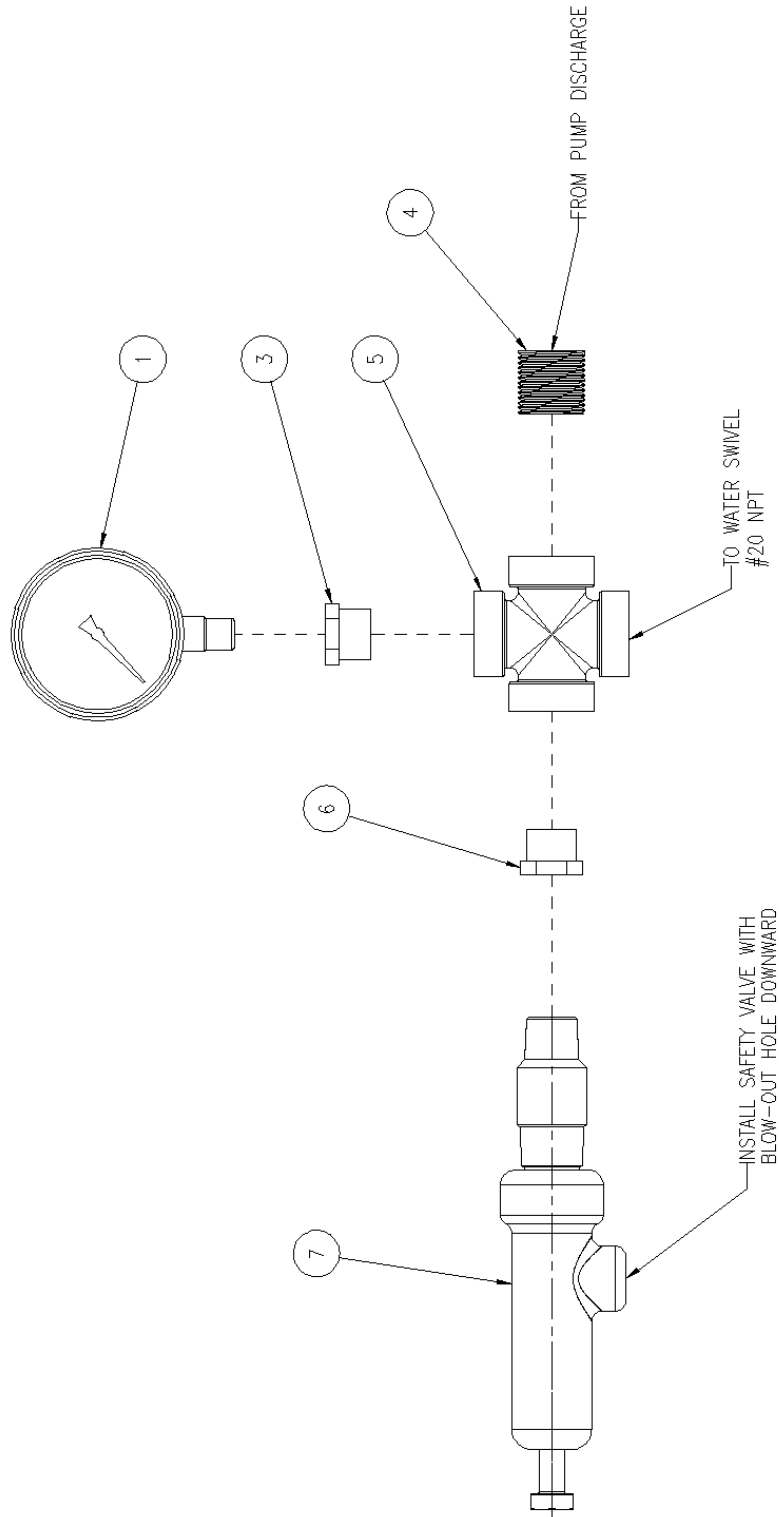
Copyright © 2019 Boart Longyear. All rights reserved.

Boart Longyear is constantly striving to improve its products and must therefore, reserve the right to change designs, materials, specifications and price without notice.



18185 DISCHARGE ASM, PUMP #20 NPT

3547029 W11 CIRCULATION PUMP



LF230 2007-193 Thru Current

Copyright © 2019 Boart Longyear. All rights reserved.

Boart Longyear is constantly striving to improve its products and must therefore, reserve the right to change designs, materials, specifications and price without notice.



18185 DISCHARGE ASM, PUMP #20 NPT

Item	Part No.	Name	Qty	Service
1	3548141	GAUGE, PRESSURE	1	B
3	18922	BUSHING, HEX PIPE #20 x #8 NPT	1	B
4	20720	NIPPLE, #20 NPT x 2 LG XH	1	F
5	21063	CROSS, PIPE #20 NPT	1	C
6	17944	BUSHING, HEX PIPE #20 x #16 NPT	1	B
7	3546492	VALVE ASM, WATER PRESSURE RELIEF	1	B

Comments for Page: 18185 DISCHARGE ASM, PUMP #20 NPT

(#1 3548141)INCLUDED IN FLUID CIRCULATION SPARES KIT 5401789

LF230 2007-193 Thru Current

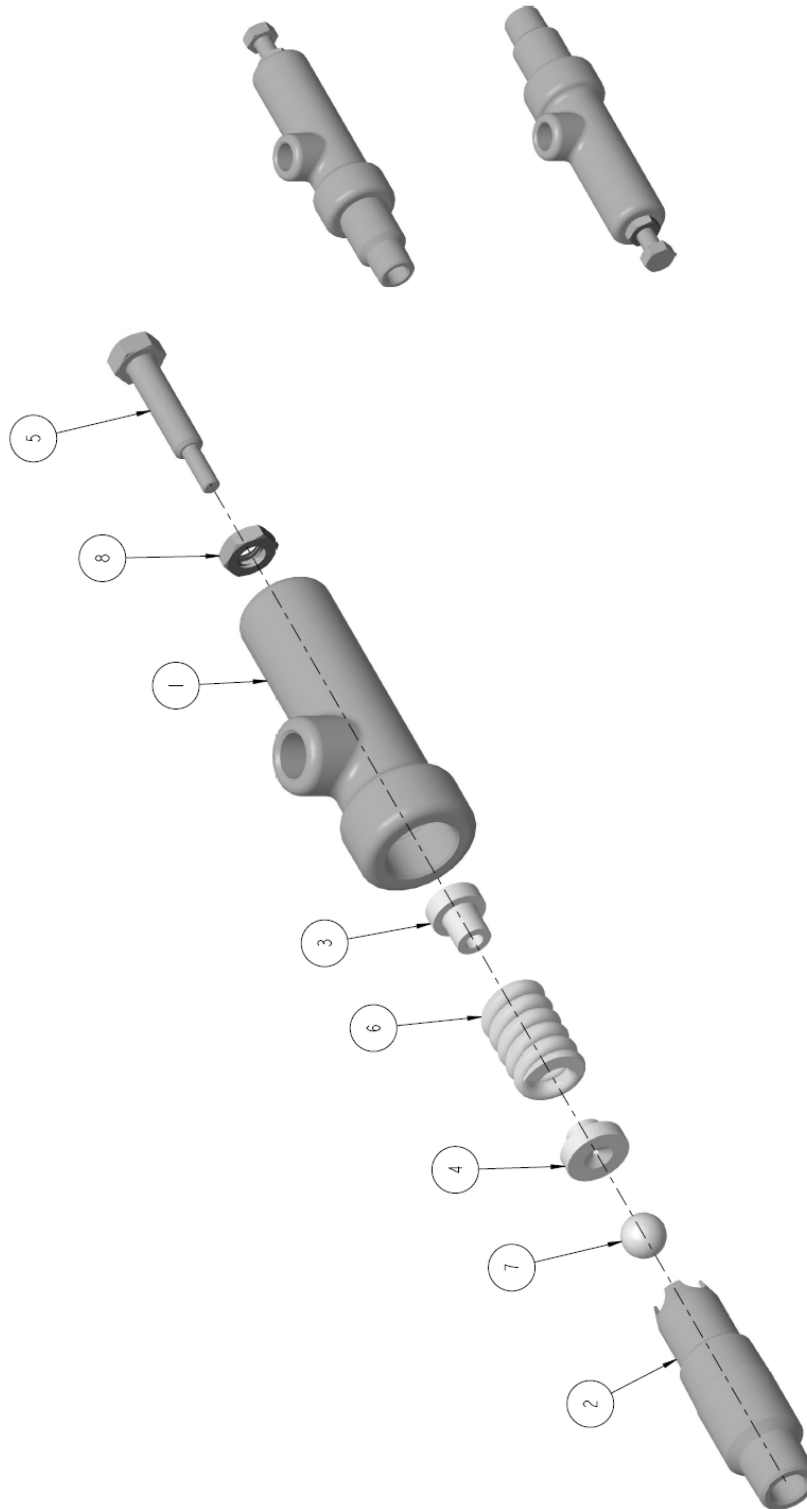
Copyright © 2019 Boart Longyear. All rights reserved.

Boart Longyear is constantly striving to improve its products and must therefore, reserve the right to change designs, materials, specifications and price without notice.



3546492 VALVE, PRESSURE RELIEF

3547029 W11 CIRCULATION PUMP



LF230 2007-193 Thru Current

Copyright © 2019 Boart Longyear. All rights reserved.

Boart Longyear is constantly striving to improve its products and must therefore, reserve the right to change designs, materials, specifications and price without notice.



Item	Part No.	Name	Qty	Service
Ref	3546492	VALVE ASM, WATER PRESSURE RELIEF	1	B
1	3546493	BODY, RELIEF VALVE	1	B
2	5406235	SEAT, RELIEF VALVE	1	B
3	3546494	GUIDE, RELIEF VALVE SPRING	1	B
4	3546495	HOLDER, RELIEF VALVE BALL	1	B
5	21841	C/SCR, RELIEF VALVE ADJ	1	B
6	24313	SPRING, COMPRESSION NQ	1	B
7	21837	BALL, 15/16" S/S	1	B
8	22179	NUT, JAM HEX 5/8 UNC BRASS	1	F

LF230 2007-193 Thru Current

Copyright © 2019 Boart Longyear. All rights reserved.

Boart Longyear is constantly striving to improve its products and must therefore, reserve the right to change designs, materials, specifications and price without notice.



5004472 HOISTING GROUP, LF230

5004472 HOISTING GROUP, LF230

**NO DRAWING
AVAILABLE
FOR THIS BOM**

LF230 2007-193 Thru Current

Copyright © 2019 Boart Longyear. All rights reserved.

Boart Longyear is constantly striving to improve its products and must therefore, reserve the right to change designs, materials, specifications and price without notice.



Item	Part No.	Name	Qty	Service
1	3546809	CABLE ASM, HOIST 7/8 DIA	1	C
2	5003978	PIN ASM, HOIST	1	C
3	5004353	HOIST PLUG, HEAVY DUTY	1	C

LF230 2007-193 Thru Current

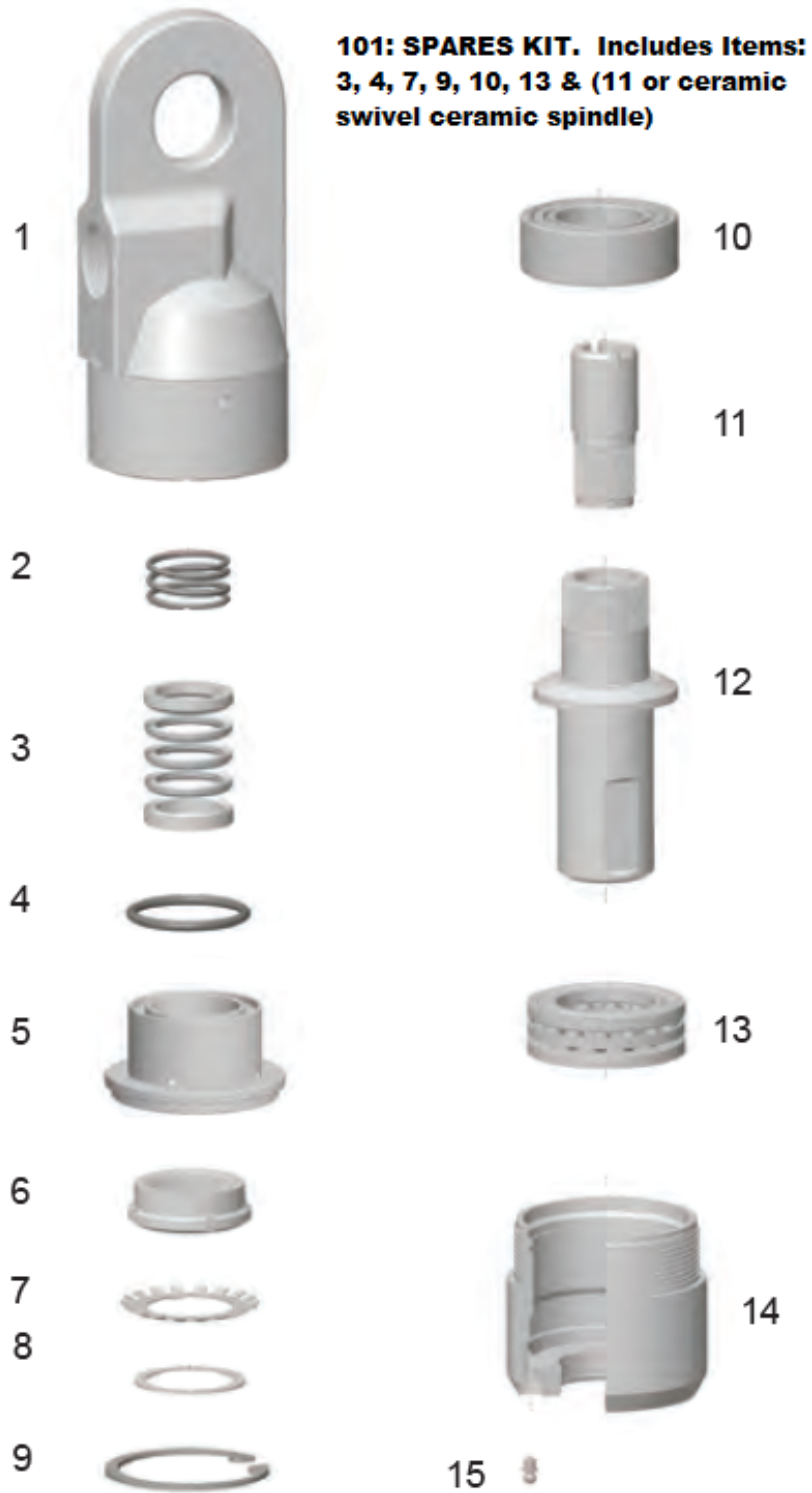
Copyright © 2019 Boart Longyear. All rights reserved.

Boart Longyear is constantly striving to improve its products and must therefore, reserve the right to change designs, materials, specifications and price without notice.



67321 WATER-SWIVEL, UNIVERSAL

5004472 HOISTING GROUP, LF230



LF230 2007-193 Thru Current

Copyright © 2019 Boart Longyear. All rights reserved.

Boart Longyear is constantly striving to improve its products and must therefore, reserve the right to change designs, materials, specifications and price without notice.

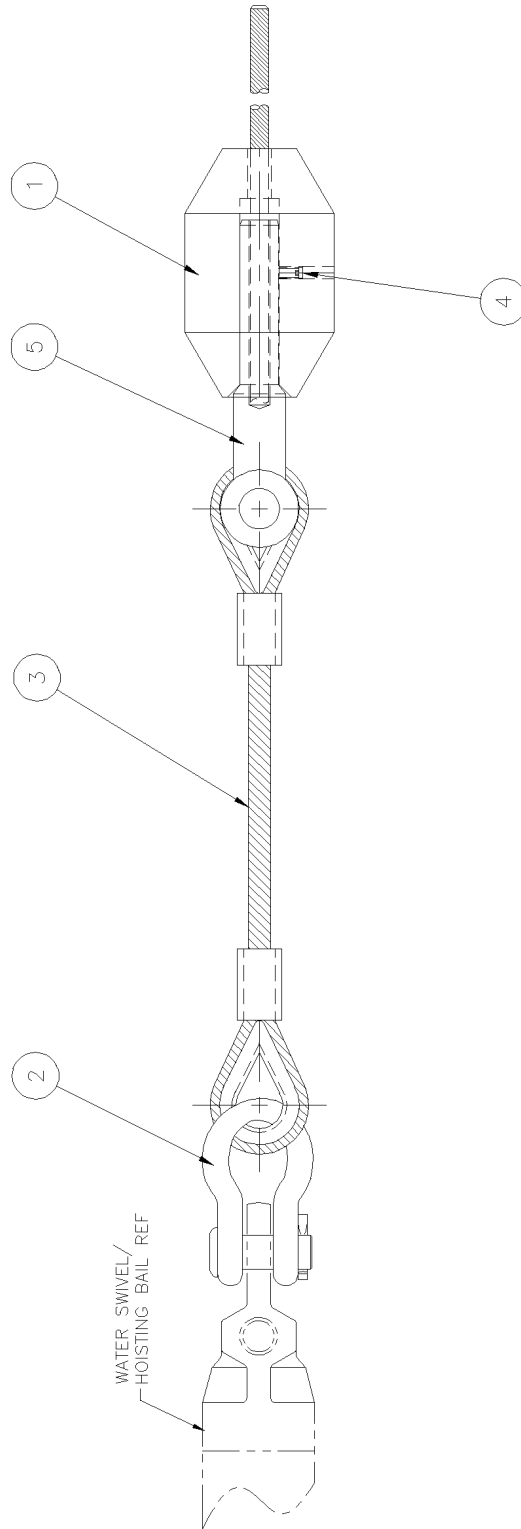


Item	Part No.	Name	Qty	Service
Ref	67321	W/SWIV, STANDARD DUTY		A
Comments for Part Num. 67321				
WATER SWIVEL SPARE PARTS KIT # 67628				
1	39169	CAP, UNIVERSAL W/SWIV	1	B
2	39168	SPRING, COMPRESSION	1	B
3	39171	PACKING, STD W/SWIV	1	B
4	29737	O-RING, SAE 332 BUNA-N 70D(10)	1	B
5	39172	HOUSING, STD DUTY W/SWIV PACKING	1	B
6	67325	NUT, UNIVERSAL W/SWIV SPINDLE	1	B
7	67186	L/WASHER, STD W/SWIV	1	B
8	67322	SPACER, UNIVERSAL W/SWIV	1	B
9	40965	RING, RETAINING	1	B
10	19906	BEARING, ANGULAR CONTACT BALL	1	B
11	39170	EXTN, STD W/SWIV SPINDLE	1	B
12	67324	SPINDLE, UNIVERSAL W/SWIV	1	B
13	67187	BEARING, THRUST	1	B
14	67631	BODY, UNIVERSAL W/SWIV	1	B
15	17447	FITTING, HYD GREASE	1	F
REF	88111	OPTIONAL SPINDLE EXTENSION	1	
101	67628	SPARES PARTS KIT, UNIVERSAL SWIVEL	1	A



3546809 CABLE ASM, HOIST 7/8 DIA

5004472 HOISTING GROUP, LF230



LF230 2007-193 Thru Current

Copyright © 2019 Boart Longyear. All rights reserved.

Boart Longyear is constantly striving to improve its products and must therefore, reserve the right to change designs, materials, specifications and price without notice.



3546809 CABLE ASM, HOIST 7/8 DIA

Item	Part No.	Name	Qty	Service
1	3546812	WEIGHT, LF230 HOIST CABLE	1	
2	3546811	SHACKLE, 25 TON	1	
3	3546810	PIGTAIL, 7/8 HOIST CABLE	1	
4	45676	C/SCR, SH 1/2-13 NC x 3/4 Lg.	1	F
5	3548582	CABLE, 22mm X 96' HOIST	1	

Comments for Page: 3546809 CABLE ASM, HOIST 7/8 DIA

(#5 3548582)REF 5400556 - 34M LONG CABLE FOR USE IN APAC REGION TO ACCOMMODATE THEIR ROD HANDLING (NOT INCLUDED IN THIS ASSEMBLY)

LF230 2007-193 Thru Current

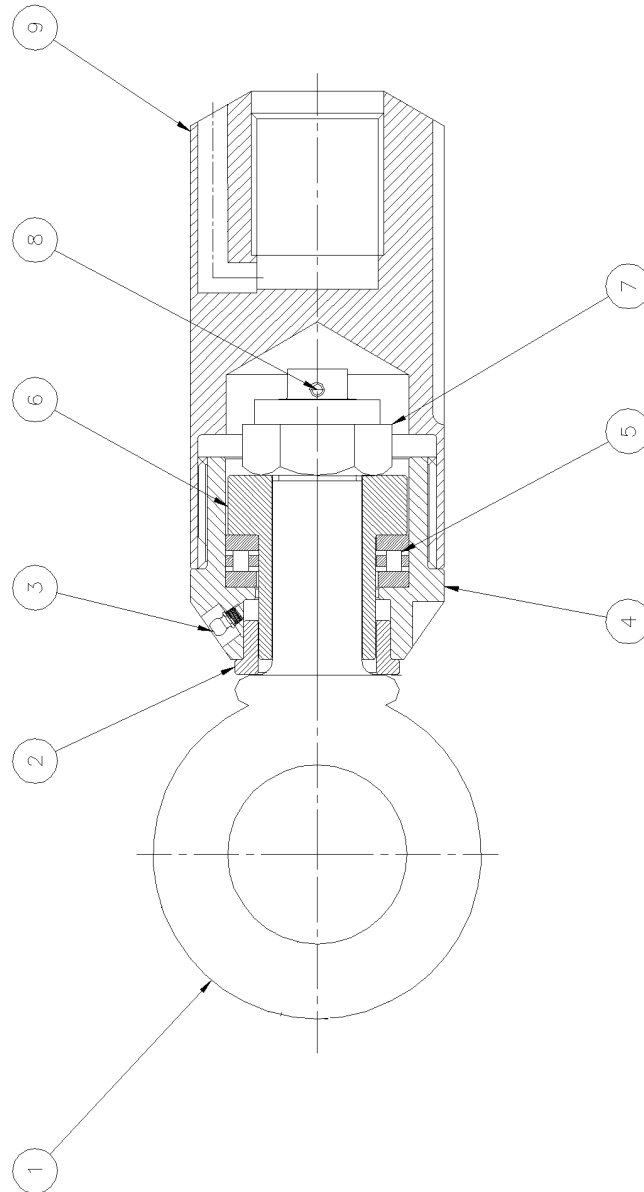
Copyright © 2019 Boart Longyear. All rights reserved.

Boart Longyear is constantly striving to improve its products and must therefore, reserve the right to change designs, materials, specifications and price without notice.



3542898 HOIST PLUG ASM, HEAVY DUTY

HOIST PLUG, HEAVY DUTY (2 VERSIONS)



LF230 2007-193 Thru Current

Copyright © 2019 Boart Longyear. All rights reserved.

Boart Longyear is constantly striving to improve its products and must therefore, reserve the right to change designs, materials, specifications and price without notice.



Item	Part No.	Name	Qty	Service
1	3542899	BOLT, EYE REWORK 30K HOIST PLUG	1	
2	3542900	SLEEVE, WEAR 30K HOIST PLUG	1	C
3	17447	FITTING, HYD GREASE	1	F
4	3542901	BEARING HOUSING, 30K HOIST PLUG	1	
5	3542902	BEARING, 30K HOIST PLUG	1	C
6	3542903	SLEEVE, SHAFT 30K HOIST PLUG	1	B
7	3542914	L/NUT, 1-1/2 UNF STOVER GR 8	1	B
8	24307	PIN, SPRING 1/4 x 2 LG	1	
9	3542904	LOWER HOUSING, 30K HOIST PLUG	1	

LF230 2007-193 Thru Current

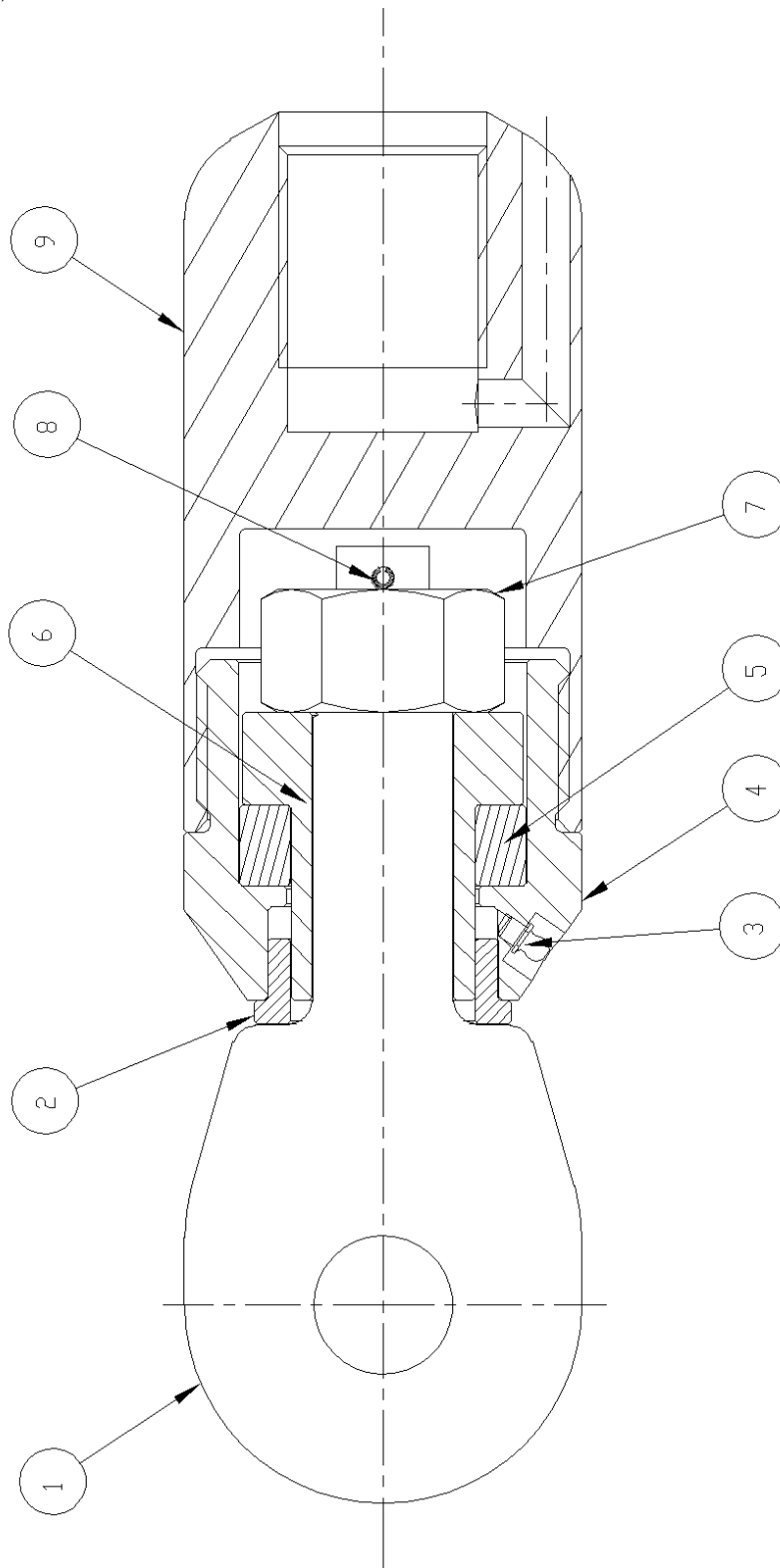
Copyright © 2019 Boart Longyear. All rights reserved.

Boart Longyear is constantly striving to improve its products and must therefore, reserve the right to change designs, materials, specifications and price without notice.



5004353 HOIST PLUG ASM

HOIST PLUG, HEAVY DUTY (2 VERSIONS)



LF230 2007-193 Thru Current

Copyright © 2019 Boart Longyear. All rights reserved.

Boart Longyear is constantly striving to improve its products and must therefore, reserve the right to change designs, materials, specifications and price without notice.



Item	Part No.	Name	Qty	Service
1	5003668	EYEBOLT, HOIST PLUG	1	C
2	3542900	SLEEVE, WEAR 30K HOIST PLUG	1	C
3	17447	FITTING, HYD GREASE	1	F
4	5004355	HOUSING, BEARING	1	C
5	3542902	BEARING, 30K HOIST PLUG	1	C
6	3542903	SLEEVE, SHAFT 30K HOIST PLUG	1	B
7	3542914	L/NUT, 1-1/2 UNF STOVER GR 8	1	B
8	3542936	PIN, SPRING 1/4 x 2 LG	1	B
9	5004354	HOUSING, LOWER HOIST PLUG	1	C

LF230 2007-193 Thru Current

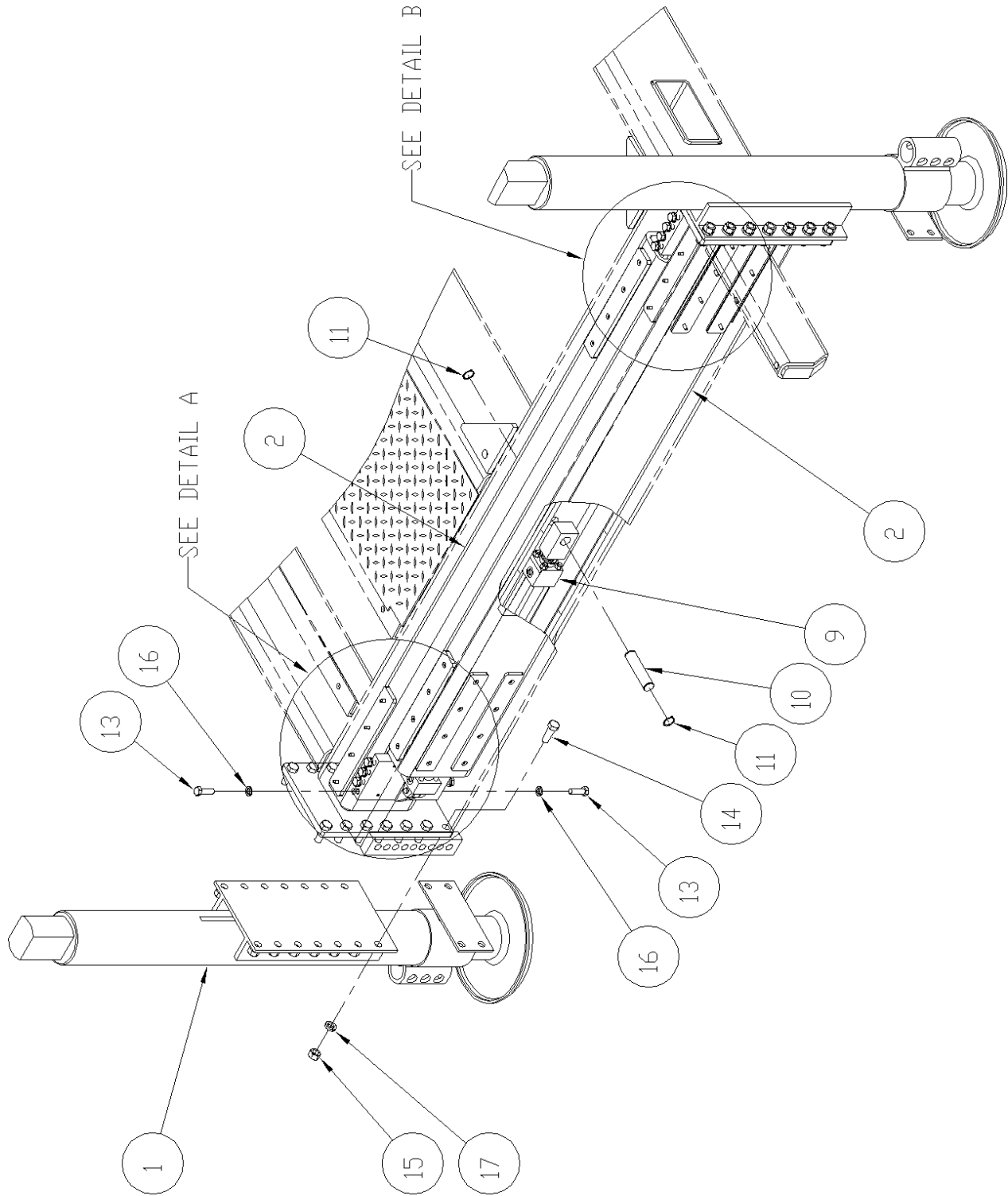
Copyright © 2019 Boart Longyear. All rights reserved.

Boart Longyear is constantly striving to improve its products and must therefore, reserve the right to change designs, materials, specifications and price without notice.



3546719 OUTRIGGER ASM LF230 (OPTIONAL)

3546719 OUTRIGGER ASM LF230 (OPTIONAL)



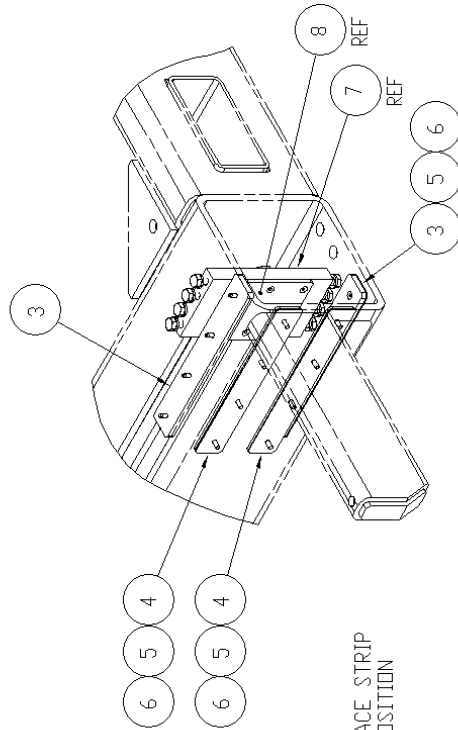
LF230 2007-193 Thru Current

Copyright © 2019 Boat Longyear. All rights reserved.

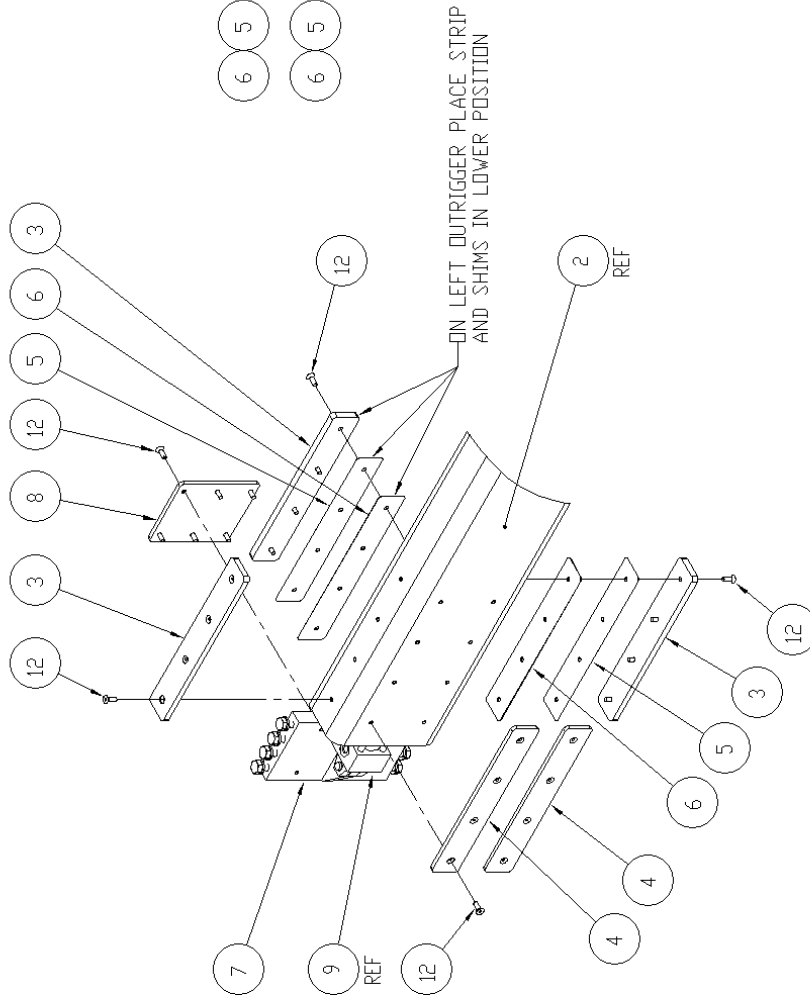
Boat Longyear is constantly striving to improve its products and must therefore, reserve the right to change designs, materials, specifications and price without notice.



3546719 OUTRIGGER ASM LF230 (OPTIONAL)



DETAIL B
ENLARGED VIEW
OUTRIGGER, BASE FRAME AND
LEG, STABILIZER OUTRIGGER
HIDDEN FOR CLARITY



LF230 2007-193 Thru Current

Copyright © 2019 Boat Longyear. All rights reserved.

Boat Longyear is constantly striving to improve its products and must therefore, reserve the right to change designs, materials, specifications and price without notice.



Item	Part No.	Name	Qty	Service
1	3541598	JACK, HYD RIG STABILIZER (39" STROKE)	4	D
Comments for Part Num. 3541598 JACK SEAL KIT P/N 5000082 COUNTERBALANCE VALVE CARTRIDGE P/N 5405238 (USED AFTER JANUARY 2012) MANIFOLD ASM FIELD KIT P/N 5404370 (USED AFTER JANUARY 2012)				
2A	5406383	OUTRIGGER WELDMENT	4	D
Comments for Part Num. 5406383 JACK MOUNTING PAD CENTERED AFTER S/N XXXXX				
2B	3542422	OUTRIGGER WELDMENT	REF	D
Comments for Part Num. 3542422 JACK MOUNTING PAD OFFSET ON PRODUCTION RIGS MANUFACTURED PRIOR TO 2018-XXX				
3	3542426	STRIP, WEAR OUTRIGGER	20	C
4	3542427	STRIP, WEAR OUTRIGGER	16	C
5	3544096	SHIM, (.030 THK)	20	C
6	3544095	SHIM, (.060 THK)	20	C
7	3542423	MOUNT, CYLINDER OUTRIGGER	4	D
8	3542428	STRIP, WEAR OUTRIGGER	4	C
9	3541601	CYLINDER, HYDRAULIC OUTRIGGER	4	C
10	3542425	PIN, CYLINDER OUTRIGGER	4	C
11	3542429	RETAINING RING, EXT 1.00 "	8	D
12	3543350	M/SCR, FLT HD 1/4-20UNC x 3/4 BRASS	168	F
13	44510	C/SCR, HH 1/2 UNC X 1-1/2 G8	16	F
14	44514	C/SCR, HH 5/8 UNC X 1-3/4 G8	56	F
15	44526	NUT, HEX 5/8 UNC G8	56	F
16	44521	L/WASHER, 1/2 SAE G8	32	F
17	44522	L/WASHER, 5/8 SAE G8	56	F
18	3546892	PIPING GRP, OUTRIGGER LF230	1	E

LF230 2007-193 Thru Current

Copyright © 2019 Boart Longyear. All rights reserved.

Boart Longyear is constantly striving to improve its products and must therefore, reserve the right to change designs, materials, specifications and price without notice.



3546892 PIPING GRP, OUTRIGGER LF230 01

3546892 PIPING GRP, OUTRIGGER LF230

HOSE END LEGEND

- A** - Female JIC Swivel **B** - Female JIC Swivel 90°
- C** - Female JIC Swivel 90° (Extra Long) **D** - Male NPT **E** - Male JIC
- F** - 90° Split Flange (Code 61) **G** - 90° Split Flange (Code 62)
- H** - Female Swivel 45°

HOSE ASSEMBLIES

<u>No</u>	<u>SIZE</u>	<u>LENGTH</u>	<u>END</u>	<u>TYPE</u>	<u>QTY</u>
1	#6	40"	A-B	100R2AT	1
2	#6	40"	A-B	100R1AT	1
3	#6	39 3/8"	A-C	100R2AT	1
4	#6	39 3/8"	A-B	100R1AT	1
5	#6	64"	A-C	100R2AT	2
6	#6	62"	A-B	100R2AT	2
7	#6	156"	A-C	100R2AT	2
8	#6	156"	A-B	100R2AT	2
9	#6	183"	A-C	100R2AT	2
10	#6	183"	A-B	100R1AT	2
11	#6	51"	A-A	100R1AT	4
12	#6	24"	A-A	100R1AT	4
13	#6	75"	A-B	100R2AT	8
14	#6	TBA"	A-B	100R2AT	1
15	#12	25 1/2"	A-B	100R4	1
16	#12	32"	A-B	100R17	1
17	#12	26 1/2"	A-B	100R17	1
18	#12	59"	A-A	100R17	1
19	#12	TBA"	A-A	100R2AT	1
20	#12	TBA"	A-A	100R2AT	1

LF230 2007-193 Thru Current

Copyright © 2019 Boart Longyear. All rights reserved.

Boart Longyear is constantly striving to improve its products and must therefore, reserve the right to change designs, materials, specifications and price without notice.



3546892 PIPING GRP, OUTRIGGER LF230 02

3546892 PIPING GRP, OUTRIGGER LF230

ADAPTERS

<u>No</u>	<u>PART NO</u>	<u>DESCRIPTION</u>	<u>QTY</u>
21	36478	Adap, Hyd #6 JIC x #6 ORB x 90°	9
22	36465	Adap, Hyd #6 JIC x #6 ORB	8
23	39224	Adap, Hyd #6 JIC x #8 ORB	16
24	36967	Adap, Hyd #12 JIC x #10 ORB x 90°	2
25	36463	Adap, Hyd #12 ORB x #12 JIC	4
26	36980	Adap, Hyd #12 JIC x 12 ORB x 90°	3
27	33644	Adap, Hyd #6 JIC x 12 ORB	1
28	36960	Adap, Hyd #12 JIC x 10 ORB	1
29	36516	Adap, Hyd #6 JIC x #6 JIC BULKHEAD	12
30	33726	Adap, Hyd #6 JIC x #6 JIC x 45° BULK	4
31	39572	Adap, Hyd #8 ORB Plug	2
32		Adap, Hyd #12 ORB (F) x #24 ORB (M)	1
33	36445	Adap, Hyd #12 JIC x #12 ORB x 45°	2

MISCELLANEOUS COMPONENTS

<u>No</u>	<u>PART NO</u>	<u>DESCRIPTION</u>	<u>QTY</u>
34	27878	CLAMP, HOSE	4

LF230 2007-193 Thru Current

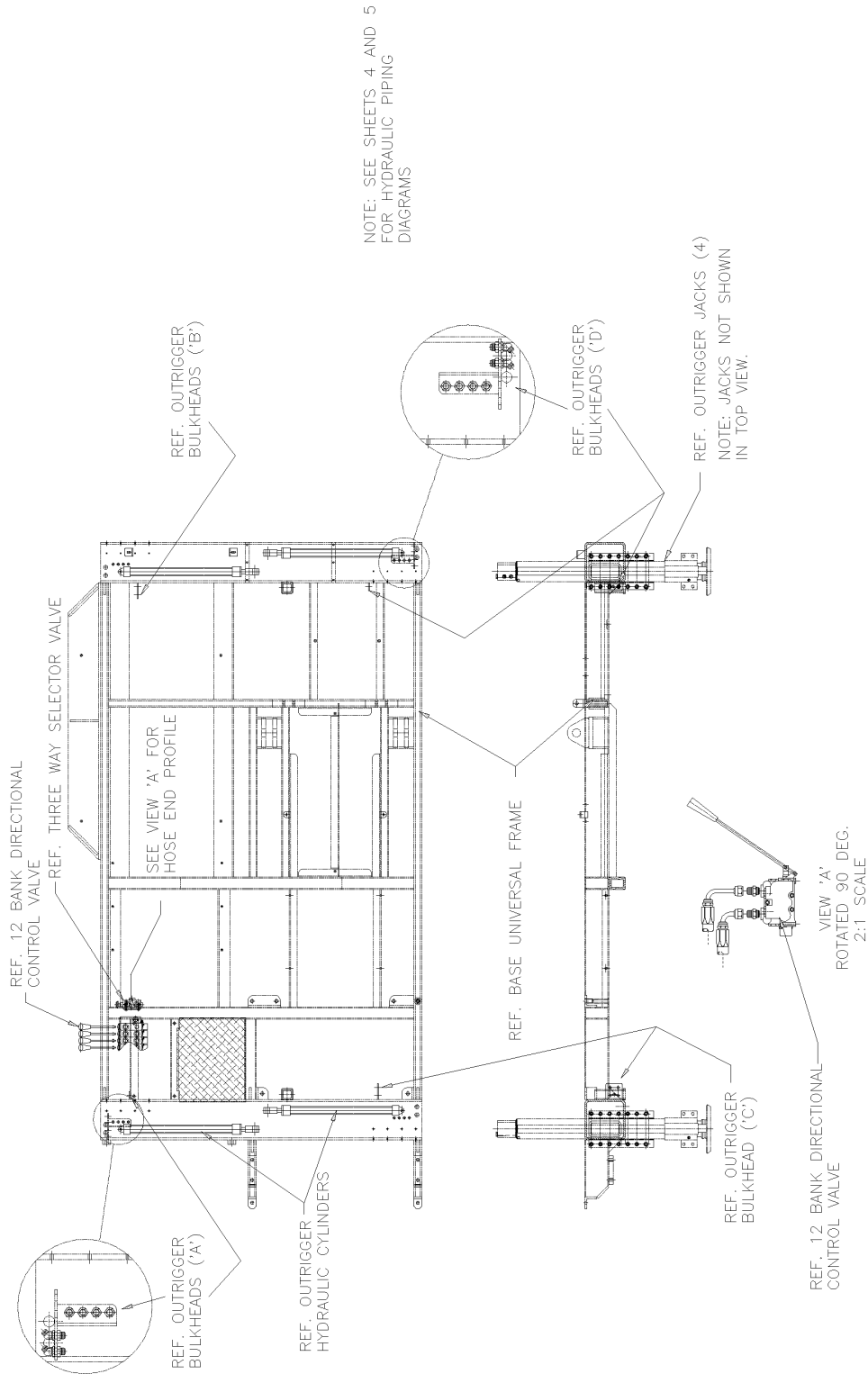
Copyright © 2019 Boart Longyear. All rights reserved.

Boart Longyear is constantly striving to improve its products and must therefore, reserve the right to change designs, materials, specifications and price without notice.



3546892 PIPING GRP, OUTRIGGER LF230 03

3546892 PIPING GRP, OUTRIGGER LF230



LF230 2007-193 Thru Current

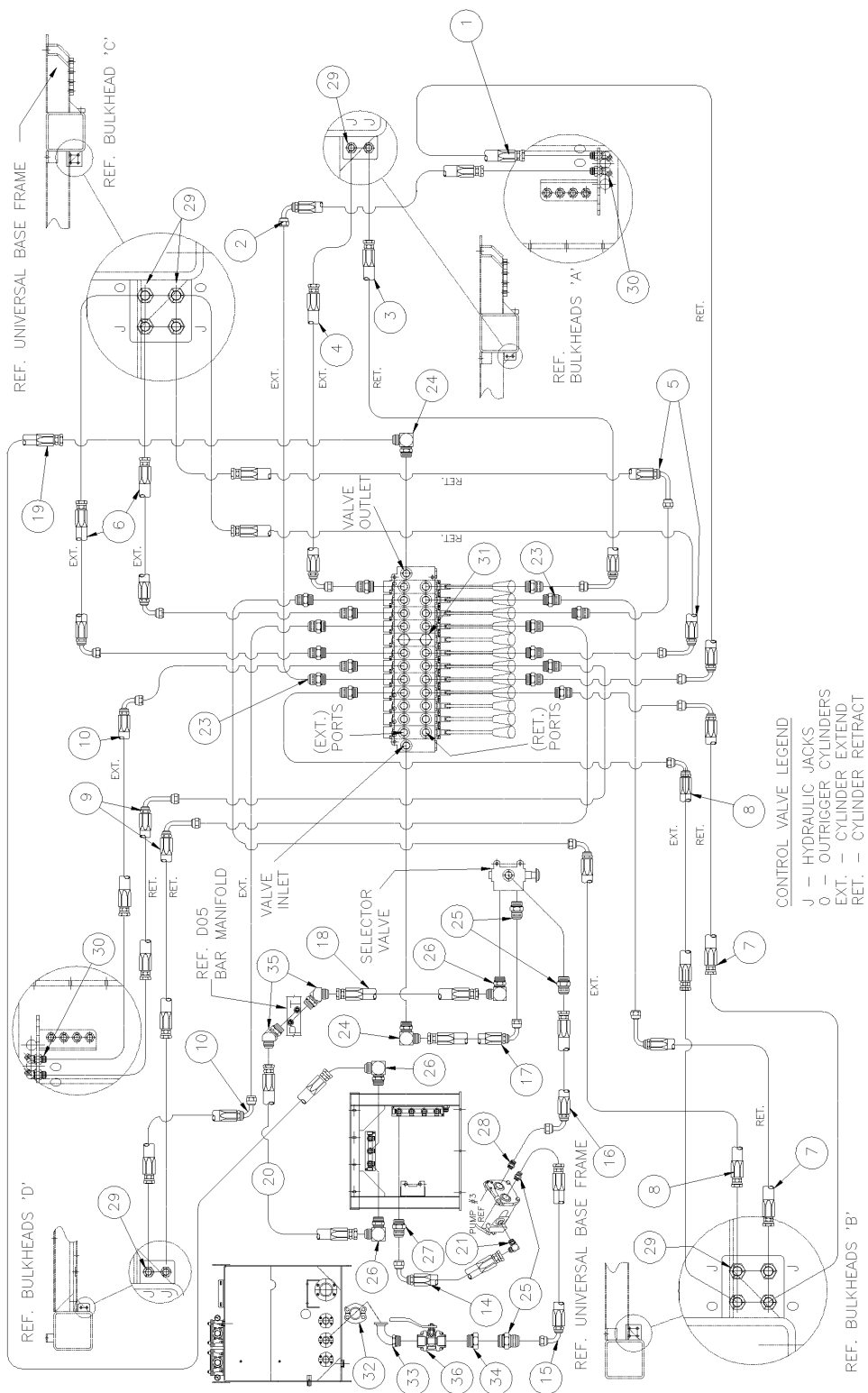
Copyright © 2019 Boat Longyear. All rights reserved.

Boat Longyear is constantly striving to improve its products and must therefore, reserve the right to change designs, materials, specifications and price without notice.



3546892 PIPING GRP, OUTRIGGER LF230 04

3546892 PIPING GRP, OUTRIGGER LF230



LF230 2007-193 Thru Current

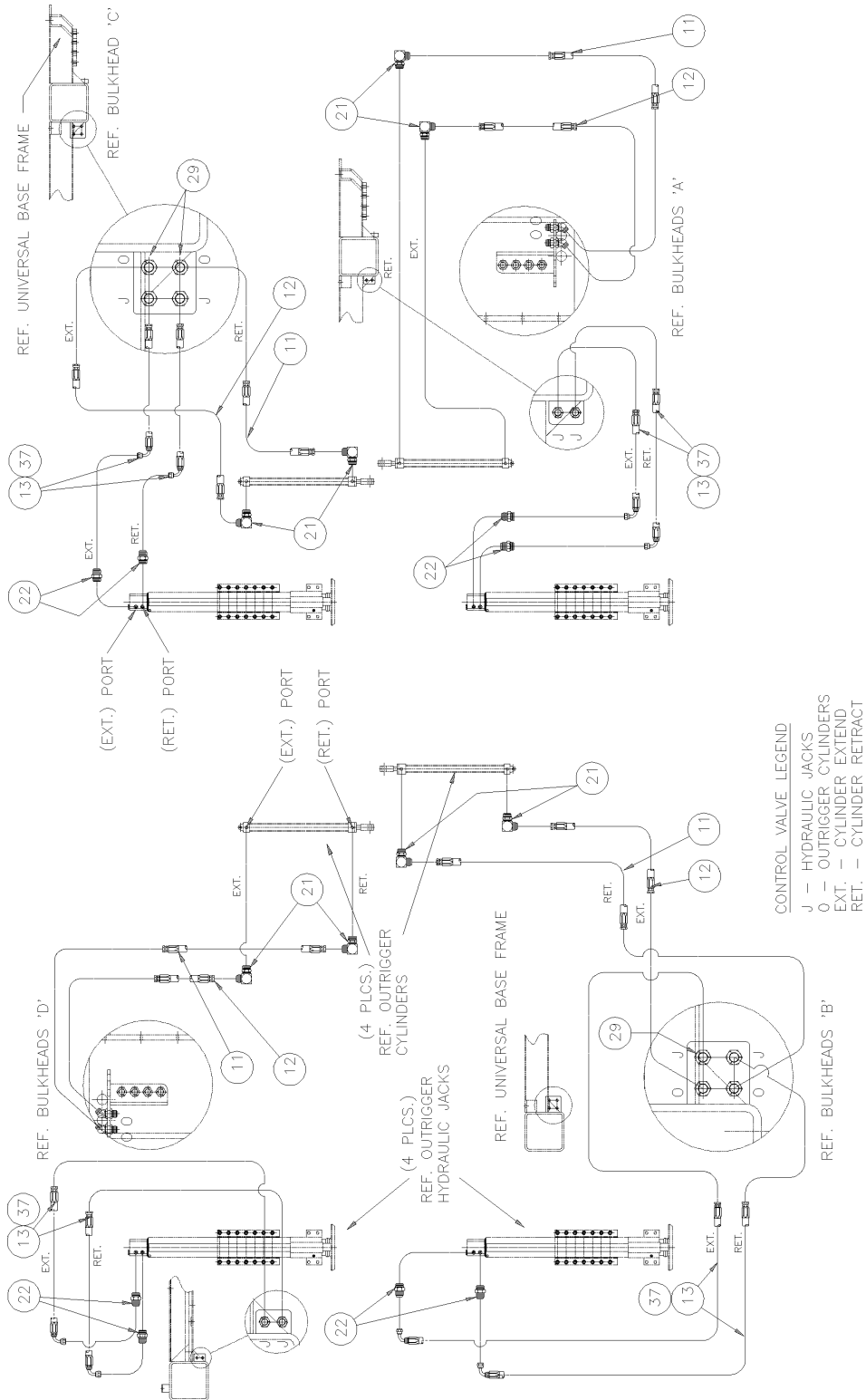
Copyright © 2019 Boat Longyear. All rights reserved.

Boat Longyear is constantly striving to improve its products and must therefore, reserve the right to change designs, materials, specifications and price without notice.



3546892 PIPING GRP, OUTRIGGER LF230 05

3546892 PIPING GRP, OUTRIGGER LF230



LF230 2007-193 Thru Current

Copyright © 2019 Boat Longyear. All rights reserved.

Boat Longyear is constantly striving to improve its products and must therefore, reserve the right to change designs, materials, specifications and price without notice.



5003424 MAINLINE HOIST LIMITER (OPTIONAL)

5003424 MAINLINE HOIST LIMITER (OPTIONAL)

**NO DRAWING
AVAILABLE
FOR THIS BOM**

LF230 2007-193 Thru Current

Copyright © 2019 Boart Longyear. All rights reserved.

Boart Longyear is constantly striving to improve its products and must therefore, reserve the right to change designs, materials, specifications and price without notice.



Item	Part No.	Name	Qty	Service
1	3004168	KIT, LF230 MAIN HOIST LIMITER	1	D

LF230 2007-193 Thru Current

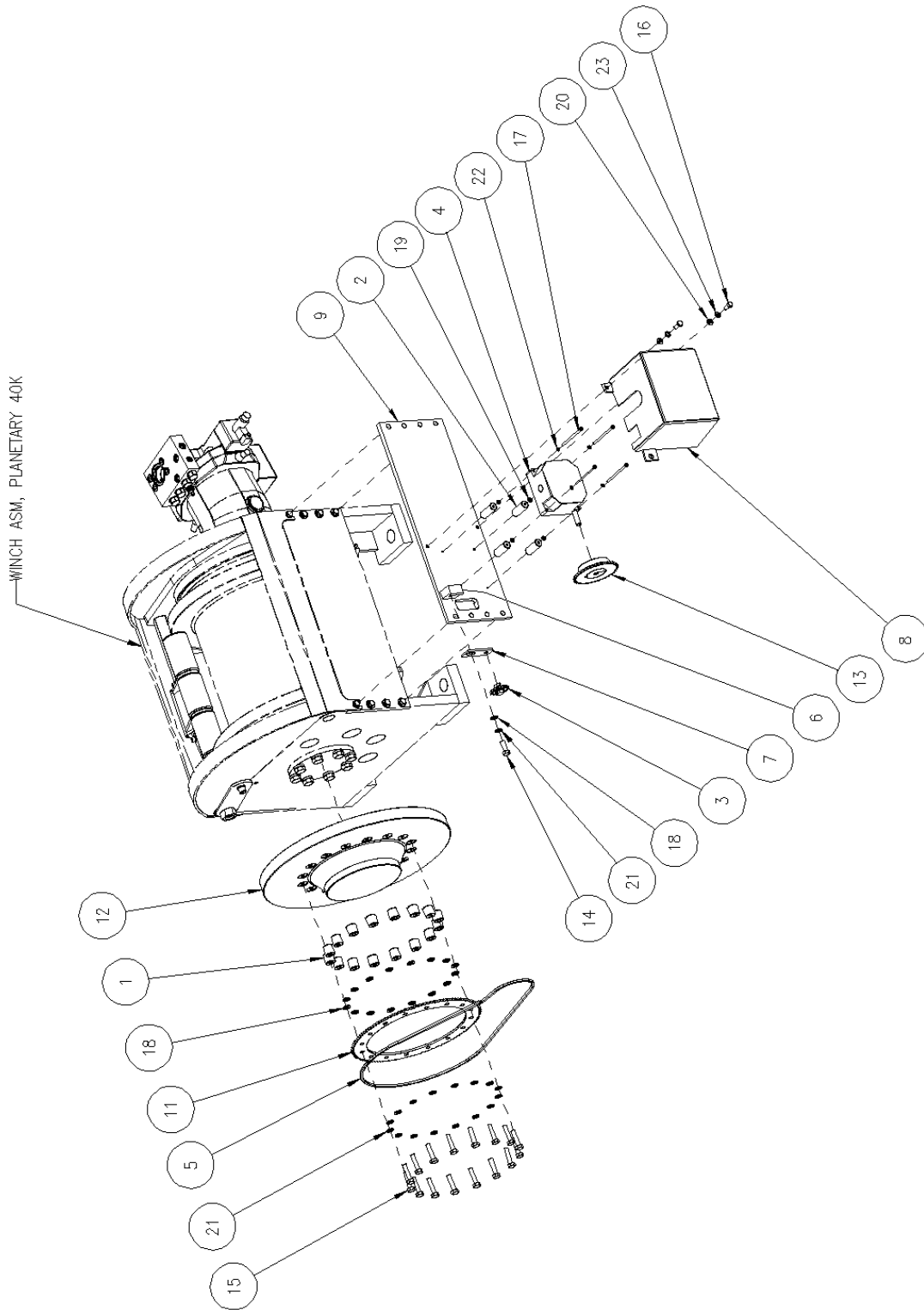
Copyright © 2019 Boart Longyear. All rights reserved.

Boart Longyear is constantly striving to improve its products and must therefore, reserve the right to change designs, materials, specifications and price without notice.



3004168 KIT, HOIST LIMITER 40K

3004168 KIT, HOIST LIMITER 40K



LF230 2007-193 Thru Current

Copyright © 2019 Boat Longyear. All rights reserved.

Boat Longyear is constantly striving to improve its products and must therefore, reserve the right to change designs, materials, specifications and price without notice.



Item	Part No.	Name	Qty	Service
Ref	3004168	KIT, LF230 MAIN HOIST LIMITER	1	D
1	3004180	SPACER 25 OD x 11 ID x 20	16	
2	3004181	SPACER 20 OD x 6 ID x 50	4	
3	3004185	SPROCKET, IDLER 15T	1	
4	3004186	SWITCH, 40:1 ROTARY LIMIT	1	
5	3004187	CHAIN 3/8 PITCH x 6.5 FT	1	
6	3004188	BLOCK, ADJUSTING IDLER	1	
7	3004189	ARM, ADJUSTING IDLER	1	
8	5003972	COVER, SWITCH	1	
9	3004192	PLATE, TIE REWORK	1	
11	3004194	SPROCKET, 114T x 3/8 PITCH	1	
12	3004373	FLANGE REWORK, WINCH	1	
13	5003523	SPROCKET, 38 T x 3/8 PITCH	1	
14	68886	C/SCR, HH M10 X 1.5 X 30 G8.8	1	F
15	68889	C/SCR, HH M10 x 1.5 x 45	16	F
16	68861	C/SCR, HH M8 X 1.25 X 20 G8.8	2	F
17	93360	C/SCR, SH M5-0.8 X 90 G12.9	4	F
18	93252	WASHER, FLAT M10 SAE G2	17	F
19	93249	WASHER FLAT 5ID P	4	F
20	93251	WASHER, FLAT M8 SAE G2	2	F
21	93128	LWASHER, SPRING M10	17	F
22	93125	LWASHER, M5 G2	4	F
23	93127	LWASHER, M8 G2	2	F

LF230 2007-193 Thru Current

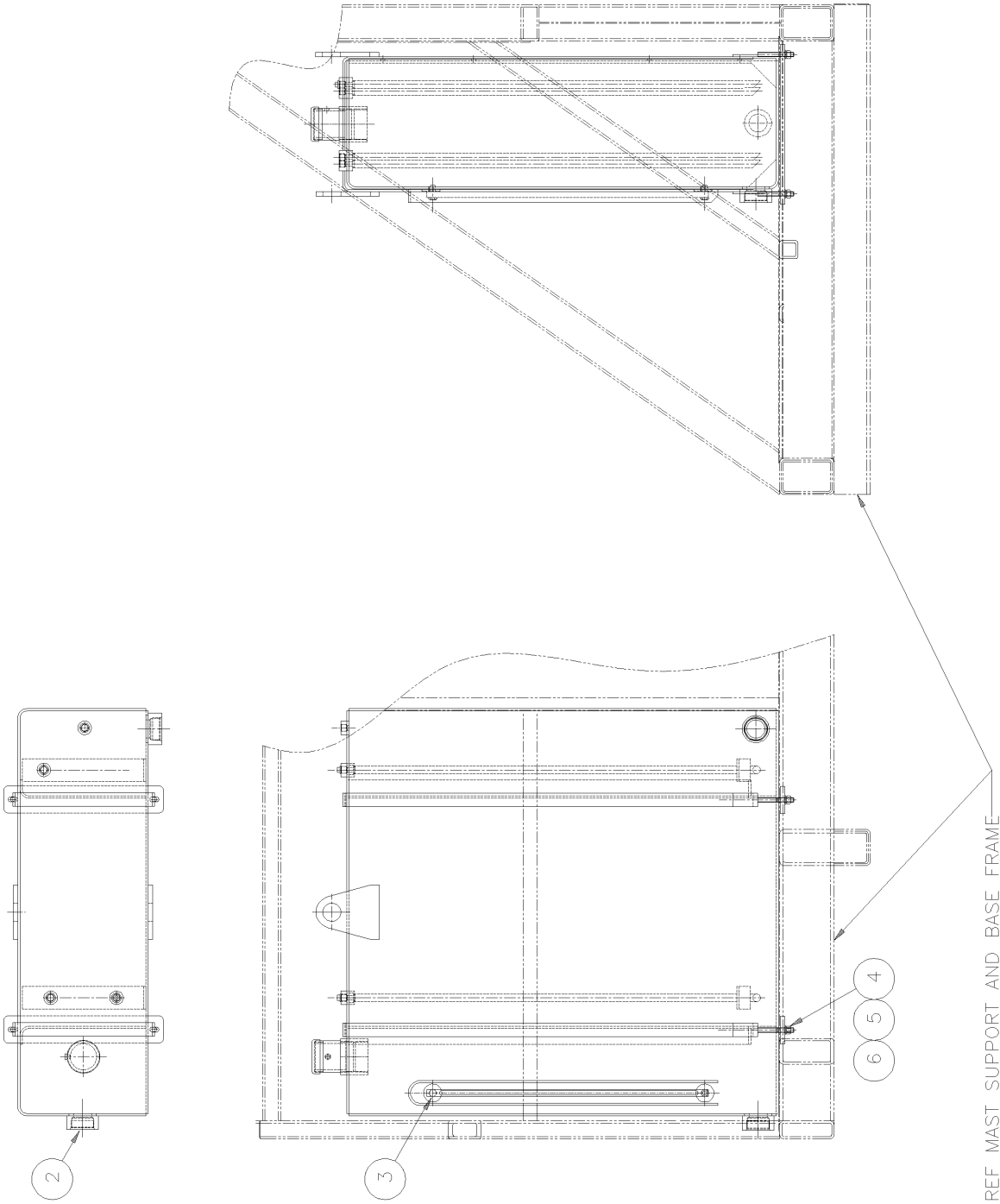
Copyright © 2019 Boart Longyear. All rights reserved.

Boart Longyear is constantly striving to improve its products and must therefore, reserve the right to change designs, materials, specifications and price without notice.



3547006 TANK ASM, 128 GAL FUEL LF230

3547006 TANK ASM, 128 GAL FUEL LF230



LF230 2007-193 Thru Current

Copyright © 2019 Boat Longyear. All rights reserved.

Boat Longyear is constantly striving to improve its products and must therefore, reserve the right to change designs, materials, specifications and price without notice.



3547006 TANK ASM, 128 GAL FUEL LF230

Item	Part No.	Name	Qty	Service
1	34347	ADAP, HYD PLUG HH 32 ORB	1	F
2	3543931	GAUGE, FLUID LEVEL	1	
3	44621	WASHER, FLAT 1/2 SAE G8	4	F
4	44521	L/WASHER, 1/2 SAE G8	4	F
5	44525	NUT, HEX 1/2 UNC G8	4	F

Comments for Page: 3547006 TANK ASM, 128 GAL FUEL LF230

(#5 44525)Supplied w/Power Unit

LF230 2007-193 Thru Current

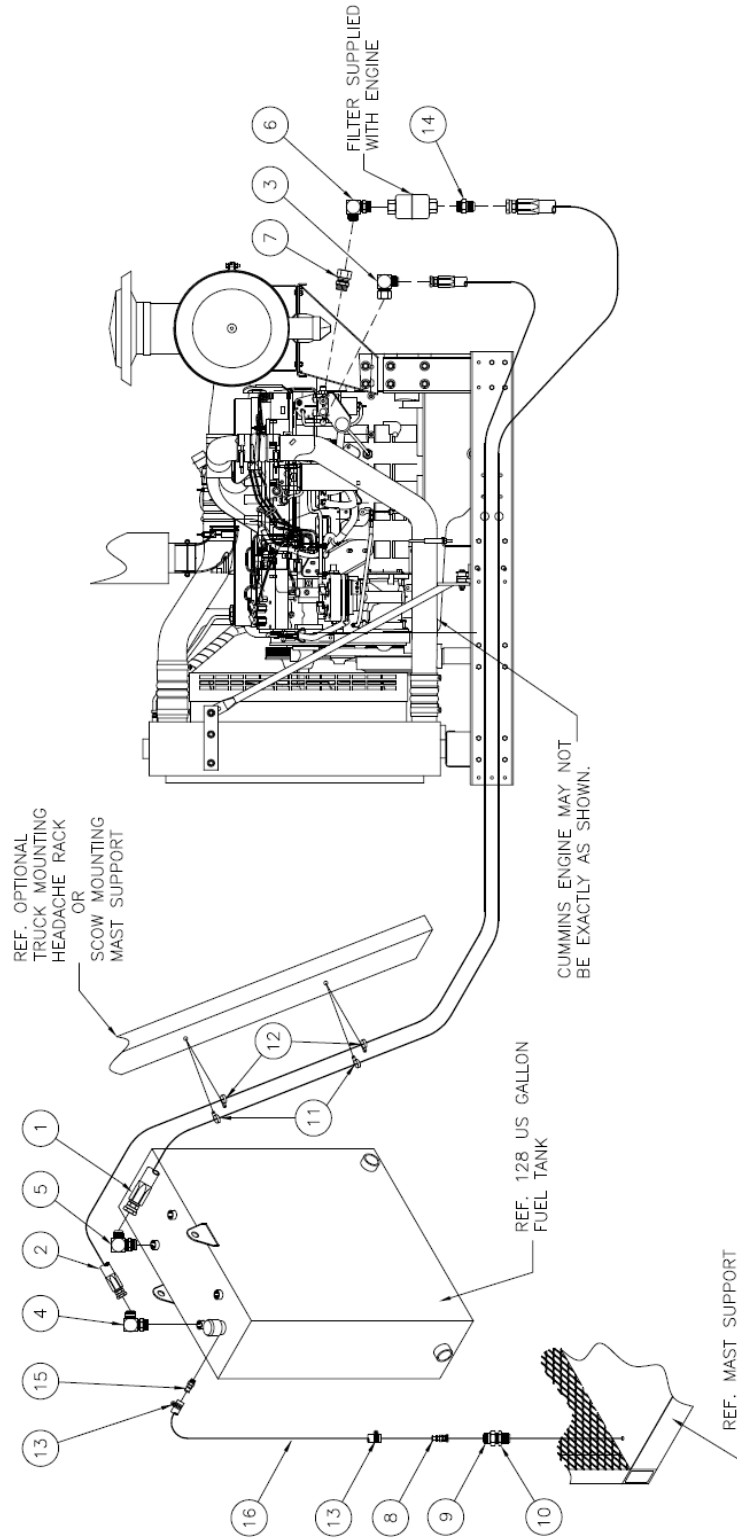
Copyright © 2019 Boart Longyear. All rights reserved.

Boart Longyear is constantly striving to improve its products and must therefore, reserve the right to change designs, materials, specifications and price without notice.



3547454 PIPING, LF230 FUEL TANK 128 US GALLON

3547006 TANK ASM, 128 GAL FUEL LF230



LF230 2007-193 Thru Current

Copyright © 2019 Boat Longyear. All rights reserved.

Boat Longyear is constantly striving to improve its products and must therefore, reserve the right to change designs, materials, specifications and price without notice.

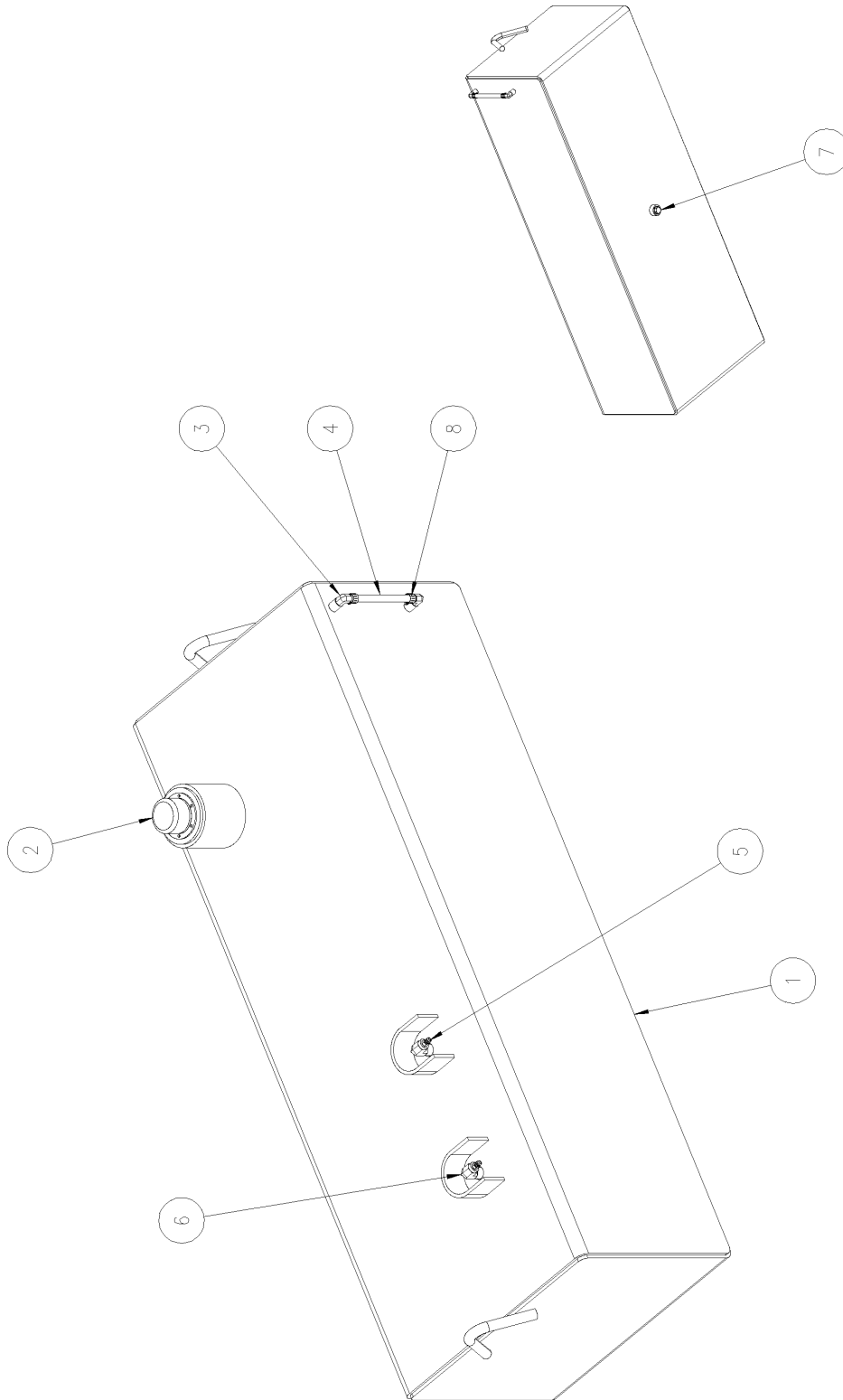


Item	Part No.	Name	Qty	Service
1	NOPARTNUMBER	HOSE ASM, 5/8" HOSE X 168" LG.	1	
2	NOPARTNUMBER	HOSE ASM, 1/2" HOSE X 192" LG.	1	
3	39690	ADAP, HYD 90 8JIC 8JIC-F	2	F
4	36457	ADAP, HYD 90 08JIC 08ORB	1	F
5	36404	ADAP, HYD 90 10JIC 8ORB	1	
6	35895	ADAP, HYD 12 JIC - 12 ORB x 90°	1	
7	103289	ADAP, HYD #10 ORB x #10JIC(F)	1	
8	NOPARTNUMBER	ADAP, 1/4 JIC(F) X 1/4 TUBE	1	
9	37757	ADAP, HYD STR 4JIC B/HEAD	1	
10	33879	ADAP, HYD LOCK NUT 04JIC	1	F
11	NOPARTNUMBER	CLAMP, 1" ID HOSE	2	
12	NOPARTNUMBER	CLAMP, 7/8 ID HOSE	2	
13	50392	CLAMP, HOSE	1	
14	33648	ADAP, HYD STR 10JIC 10ORB	1	F
15	101581	ADAPT, 1/4" NPTx 1/4" TUBE	1	
16	104552	HOSE, LOW PRESSURE [1/4]	1	



3548571 TANK GROUP, 225 GAL FUEL LF230

3548571 TANK GROUP, 225 GAL FUEL LF230



LF230 2007-193 Thru Current

Copyright © 2019 Boart Longyear. All rights reserved.

Boart Longyear is constantly striving to improve its products and must therefore, reserve the right to change designs, materials, specifications and price without notice.



Item	Part No.	Name	Qty	Service
1	3548628	FUEL TANK, 225 US GAL	1	
2	100290	FILLER, BREATHER CAP	1	A
3	100996	FITTING, HOSE END	1	
4	102017	HOSE, CLEAR PLASTIC 3/8 ID	1	F
5	NOPARTNUMBER	NO PART NUMBER	1	
6	NOPARTNUMBER	NO PART NUMBER	1	
8	NOPARTNUMBER	NO PART NUMBER	1	

LF230 2007-193 Thru Current

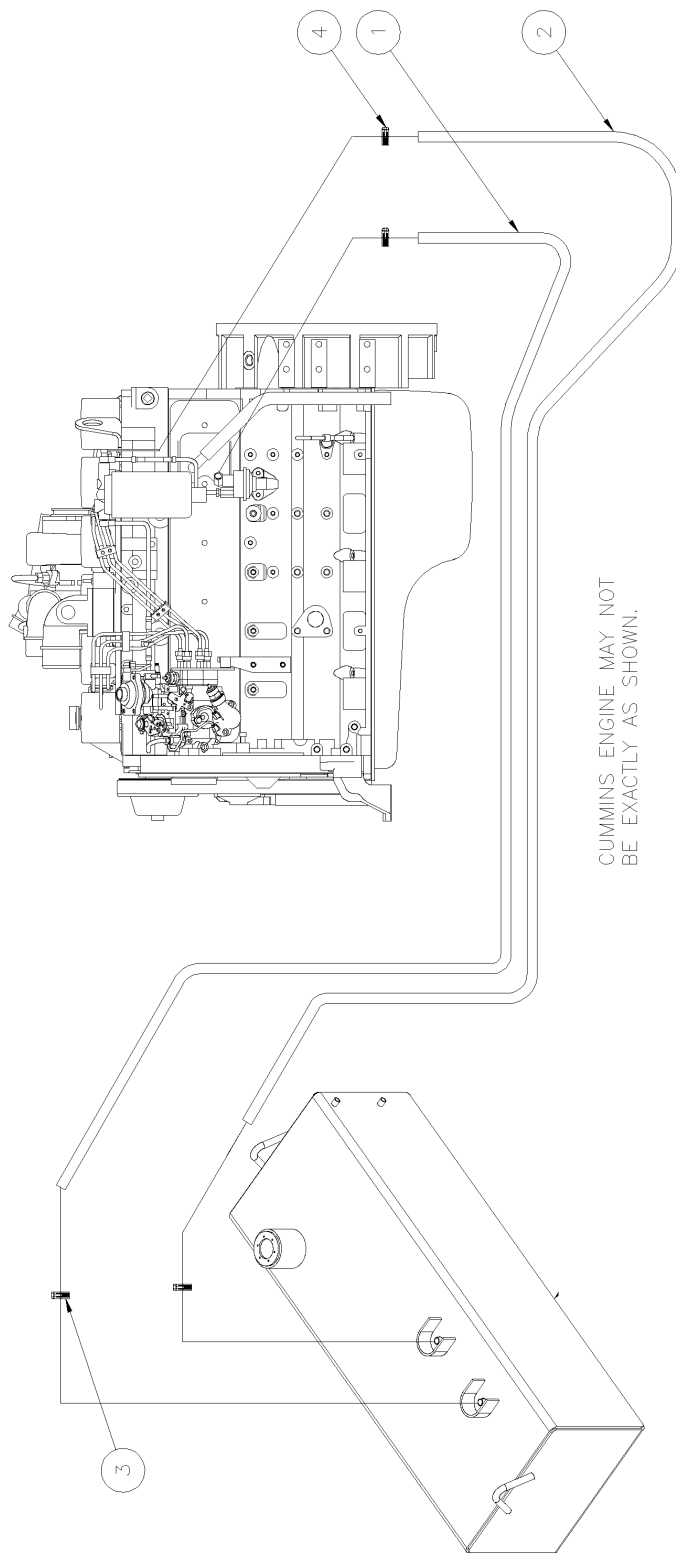
Copyright © 2019 Boat Longyear. All rights reserved.

Boat Longyear is constantly striving to improve its products and must therefore, reserve the right to change designs, materials, specifications and price without notice.



3548254 FUEL PIPING GROUP 225 GAL TANK

3548571 TANK GROUP, 225 GAL FUEL LF230



LF230 2007-193 Thru Current

Copyright © 2019 Boat Longyear. All rights reserved.

Boat Longyear is constantly striving to improve its products and must therefore, reserve the right to change designs, materials, specifications and price without notice.



Item	Part No.	Name	Qty	Service
1	3542252	HOSE Ø1/2 X 120" Lg.	1	
2	3544544	HOSE, 5/16 ID SAE30R7	1	
3	8500435	CLAMP. HOSE SIZE 8	2	
4	306143	CLAMP, HOSE 5/8 OD	2	F

LF230 2007-193 Thru Current

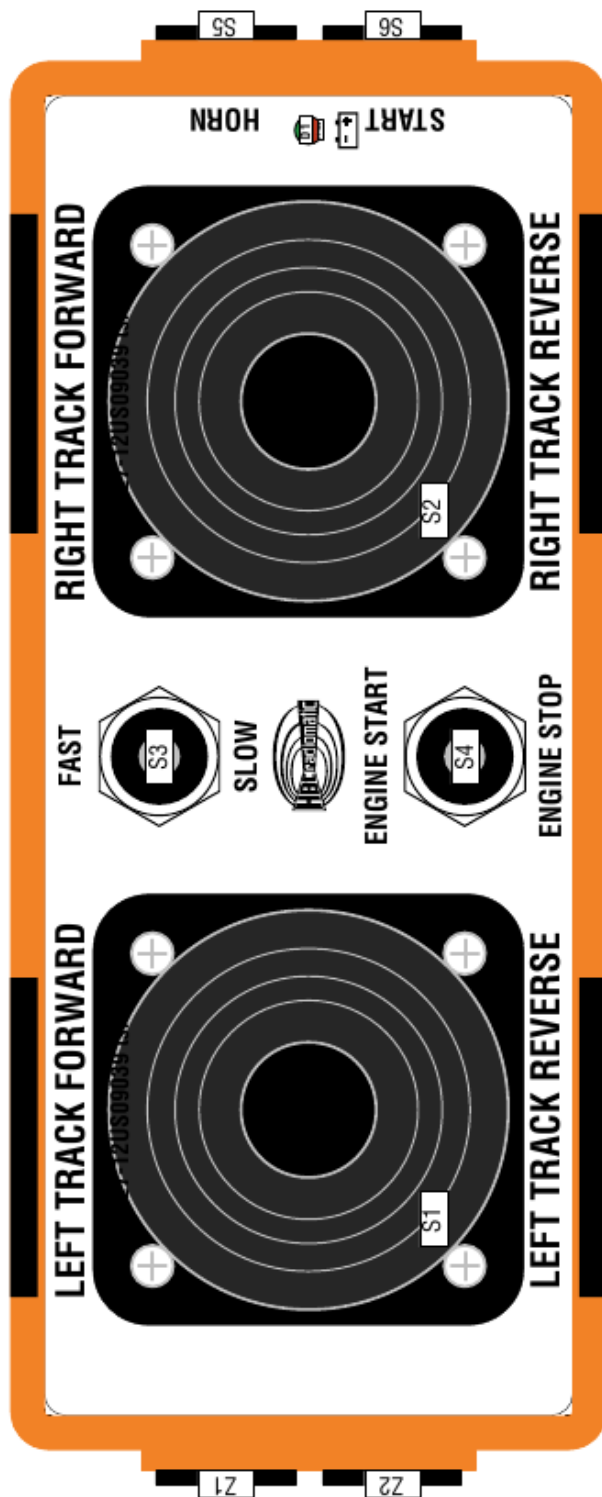
Copyright © 2019 Boart Longyear. All rights reserved.

Boart Longyear is constantly striving to improve its products and must therefore, reserve the right to change designs, materials, specifications and price without notice.



RADIO REMOTE CONTROL OPTIONS

RADIO REMOTE OPTIONS



LF230 2007-193 Thru Current

Copyright © 2019 Boat Longyear. All rights reserved.

Boat Longyear is constantly striving to improve its products and must therefore, reserve the right to change designs, materials, specifications and price without notice.



Item	Part No.	Name	Qty	Service
1A	5401547	SYSTEM, RADIO REMOTE CONTROL CE (PRIOR TO 2017-508)		D
Comments for Part Num. 5401547				
REPLACEMENT BATTERY # 8501177				
REPLACEMENT BATTERY CHARGER 5405644				
REPLACEMENT DATA CABLE (TETHER) 5405645				
REPLACEMENT ANTENNAE CABLE 5405646				
REPLACEMENT ANTENNAE 5405647				
1B	5401556	SYSTEM, RADIO REMOTE CONTROL FCC		D
Comments for Part Num. 5401556				
THIS RADIO FREQUENCY IS ONLY FOR USE IN USA, CANADA , AND MEXICO				
REPLACEMENT BATTERY # 8501177				
REPLACEMENT BATTERY CHARGER 5405644				
REPLACEMENT DATA CABLE (TETHER) 5405645				
REPLACEMENT ANTENNAE CABLE 5405646				
REPLACEMENT ANTENNAE 5405647				
1C	5406025	SYSTEM, RADIO REMOTE CONTROL CE 2.4 GHz		
Comments for Part Num. 5406025				
THIS RADIO FREQUENCY (2.4 GHz) IS FOR USE IN ALL COUNTRIES				
REPLACEMENT BATTERY # 8501177				
REPLACEMENT BATTERY CHARGER 5405644				
REPLACEMENT DATA CABLE (TETHER) 5405645				
REPLACEMENT ANTENNAE CABLE TBA				
REPLACEMENT ANTENNAE TBA				

LF230 2007-193 Thru Current

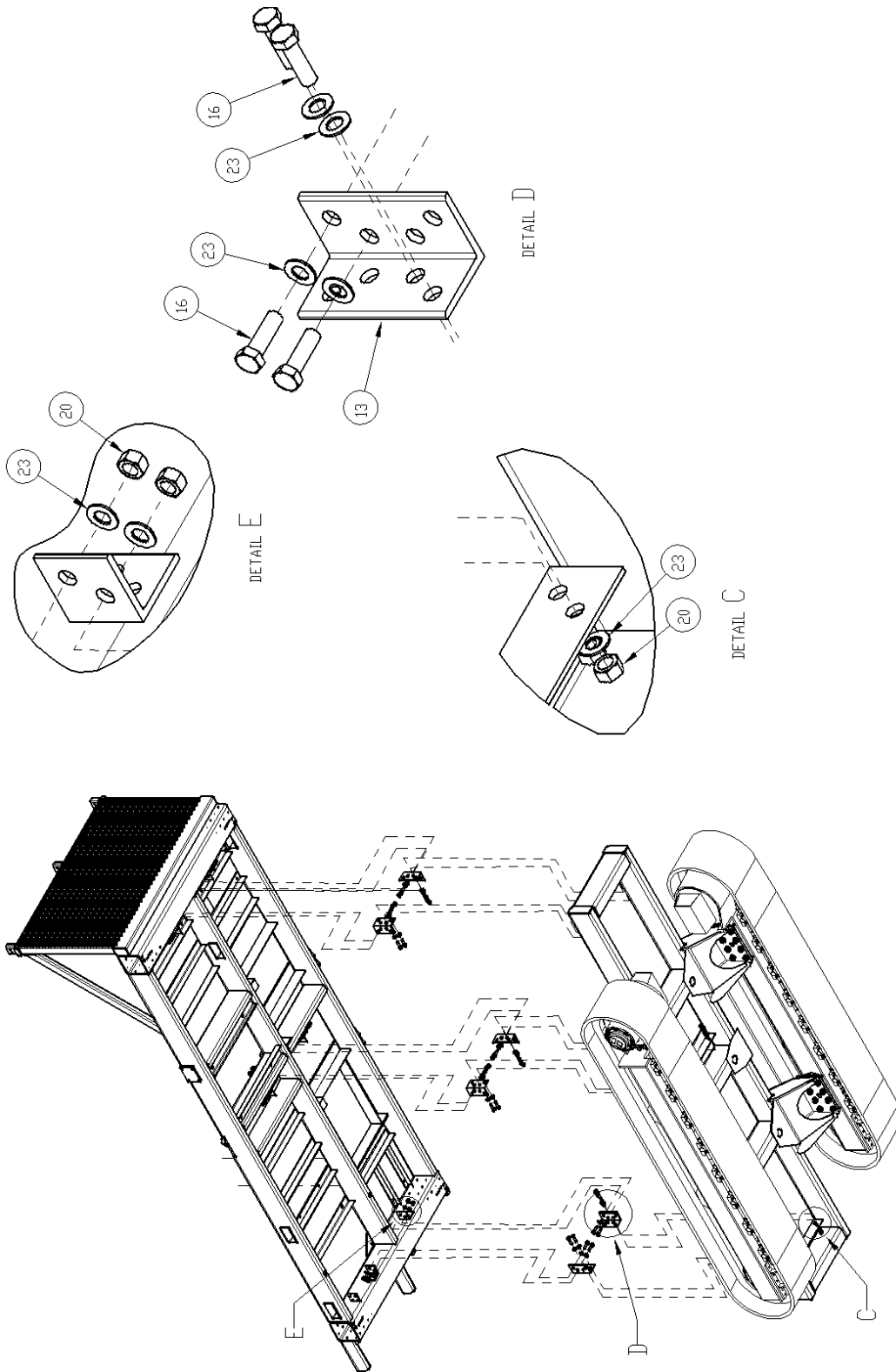
Copyright © 2019 Boart Longyear. All rights reserved.

Boart Longyear is constantly striving to improve its products and must therefore, reserve the right to change designs, materials, specifications and price without notice.



5403120 TRACK DRIVE GRP, LF230 BASIC

5403120 TRACK DRIVE GRP, LF230 BASIC



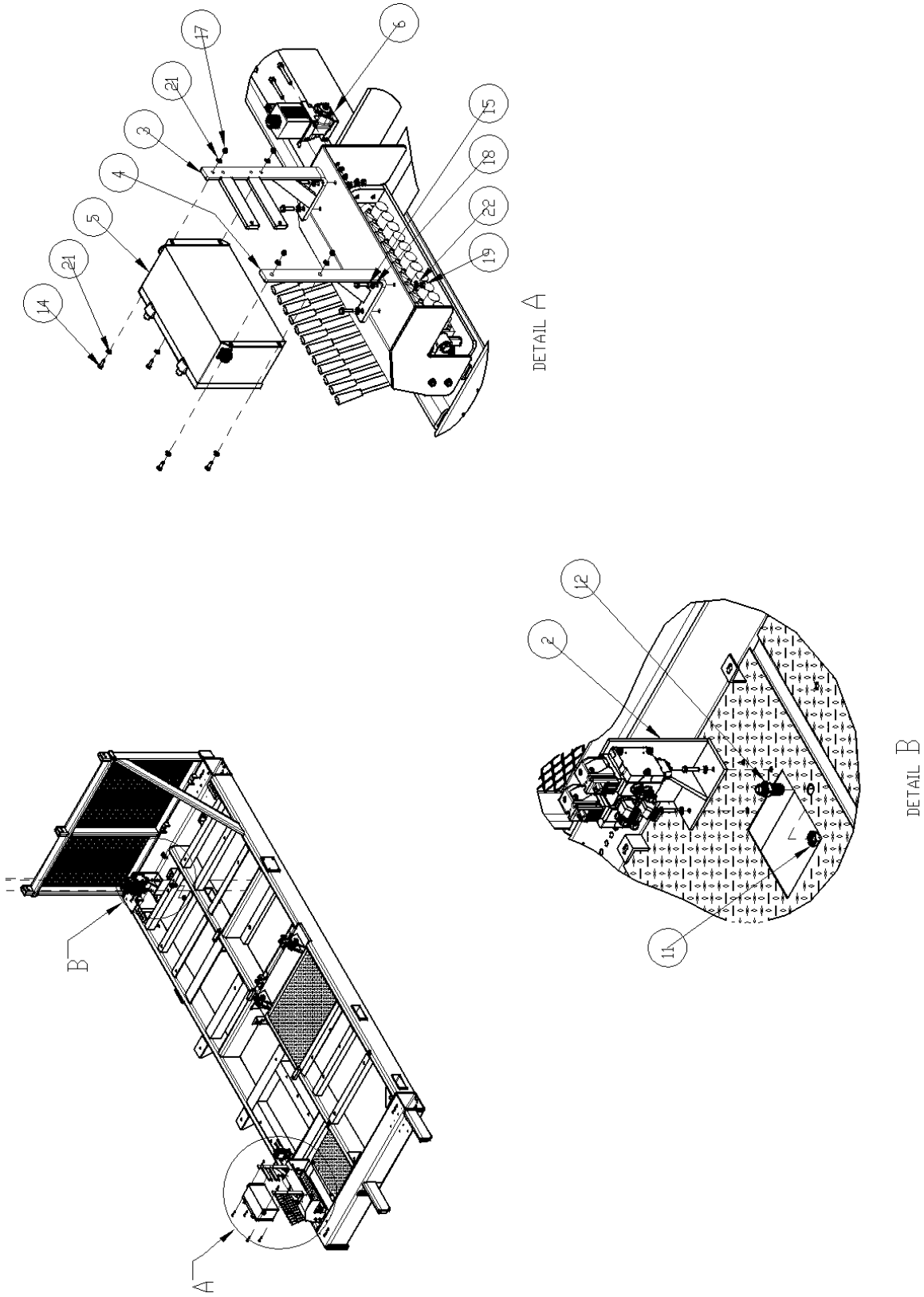
LF230 2007-193 Thru Current

Copyright © 2019 Boart Longyear. All rights reserved.

Boart Longyear is constantly striving to improve its products and must therefore, reserve the right to change designs, materials, specifications and price without notice.



5403120 TRACK DRIVE GRP, LF230 BASIC



LF230 2007-193 Thru Current

Copyright © 2019 Boart Longyear. All rights reserved.

Boart Longyear is constantly striving to improve its products and must therefore, reserve the right to change designs, materials, specifications and price without notice.



Item	Part No.	Name	Qty	Service
REF	5403120	TRACK DRIVE GRP, LF230 BASIC	1	D
1	5401837	TRACK MOUNT, LF230	1	D
2	5404315	VALVE ASM, TRACK DRIVE	1	D
3	5402885	BRACKET, ENCLOSURE MOUNTING LH	1	D
4	5402886	BRACKET, ENCLOSURE MOUNTING RH	1	D
5	5404025	ENCLOSURE, ELECTRICAL	1	D
6	5403090	VALVE ASM, HYD 3-WAY 12VDC	1	D
7	43516	VALVE, HYD SHUTTLE 6 ORB	1	D
8	5404013	CABLE ASM, 14 PIN, x 56 LG	1	D
9	5404014	CABLE ASM, TRACTION VALVE	1	D
10	5404015	CABLE ASM, DIVERTER VALVE	1	D
11	33884	ADAP, HYD LOCK NUT 12JIC	1	F
12	36514	ADAP, HYD STR BULKHEAD 12 JIC	1	
13	5404368	BRACKET, TIE-DOWN	6	D
14	68838	C/SCR, HH M6 X 1.0 X 20 G8.8	4	F
15	68863	C/SCR, HH M8 X 1.25 X 30 G8.8	4	F
16	44505	C/SCR, HH 3/4 UNC X 2-1/2 G8	24	F
17	93340	L/NUT, NYLOK M6-1 G8.8 ZP	4	F
18	93127	L/WASHER, M8 G2	4	F
19	93114	NUT, HEX M8-1.25 CL8	4	F
20	22918	L/NUT, 3/4" UNC GR8 SLOTTED ESL	24	F
21	93250	WASHER, FLAT M6 SAE G2	8	F
22	93251	WASHER, FLAT M8 SAE G2	4	F
23	46091	WASHER, FLAT 3/4 SAE G8	48	F

LF230 2007-193 Thru Current

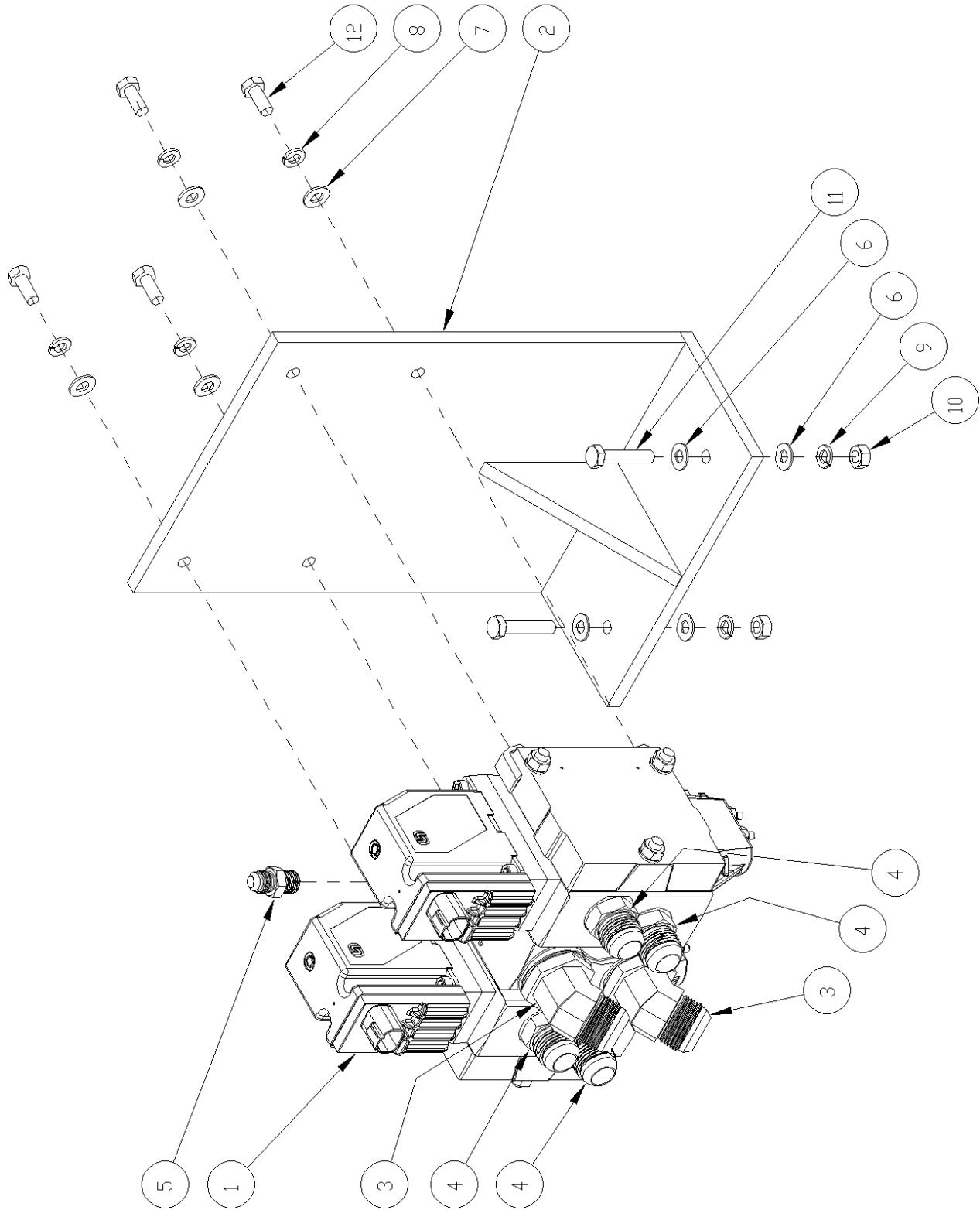
Copyright © 2019 Boart Longyear. All rights reserved.

Boart Longyear is constantly striving to improve its products and must therefore, reserve the right to change designs, materials, specifications and price without notice.



5404315 VALVE ASM, LF230 TRACK DRIVE

5403120 TRACK DRIVE GRP, LF230 BASIC



LF230 2007-193 Thru Current

Copyright © 2019 Boart Longyear. All rights reserved.

Boart Longyear is constantly striving to improve its products and must therefore, reserve the right to change designs, materials, specifications and price without notice.



Item	Part No.	Name	Qty	Service
1	5403098	VALVE, HYD 2 SPOOL 11-32V	1	
Comments for Part Num. 5403098				
REPLACEMENT VALVE SOLENOID 11-32V DEUTSCH 5403099				
2	5403865	BRACKET, LF230 TRACTION VALVE MOUNTING	1	
3	36431	ADAP, HYD 45 16JIC 16ORB	2	F
4	36960	ADAP, HYD STR 12JIC 10ORB	4	F
5	36465	ADAP, HYD STR 6JIC 6ORB	1	F
6	93251	WASHER, FLAT M8 SAE G2	6	F
7	46510	WASHER, FLAT 5/16 SAE G8	4	F
8	44519	L/WASHER, 5/16 SAE G8	4	F
9	93127	L/WASHER, M8 G2	3	F
10	93114	NUT, HEX M8-1.25 CL8	3	F
11	68865	C/SCR, HH M8 X 1.25 X 40	3	F
12	44551	C/SCR, HH 5/16 UNC X 3/4 G8	4	F

LF230 2007-193 Thru Current

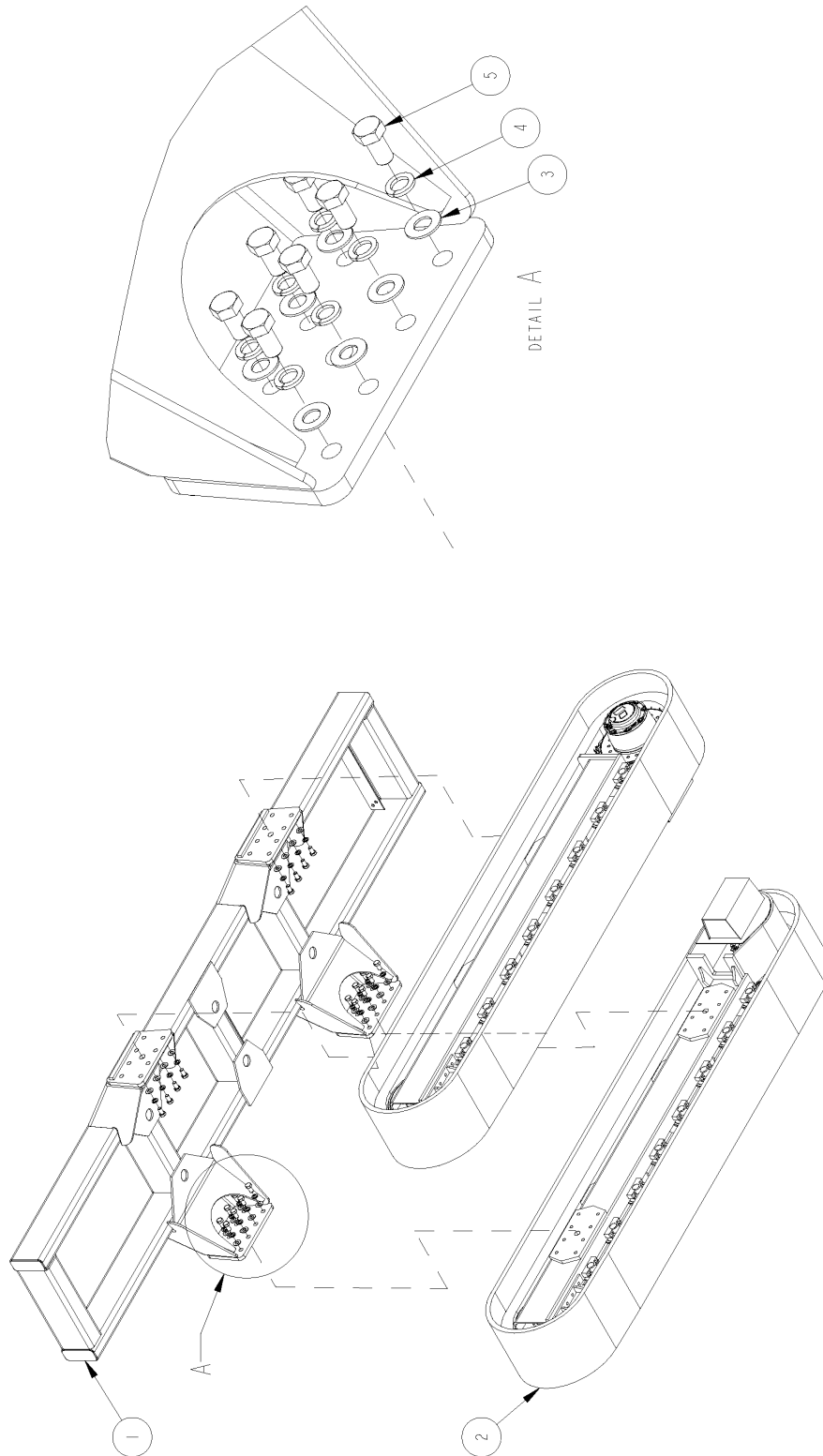
Copyright © 2019 Boart Longyear. All rights reserved.

Boart Longyear is constantly striving to improve its products and must therefore, reserve the right to change designs, materials, specifications and price without notice.



5401837 TRACK MOUNT, LF230

5401837 TRACK MOUNT, LF230



LF230 2007-193 Thru Current

Copyright © 2019 Boat Longyear. All rights reserved.

Boat Longyear is constantly striving to improve its products and must therefore, reserve the right to change designs, materials, specifications and price without notice.



Item	Part No.	Name	Qty	Service
REF	5401837	TRACK MOUNT, LF230	1	D
1	5401834	ADAPTER, LF230 TRACK	1	D
2	5401833	TRACK ASM, WELDED	1	D
Comments for Part Num. 5401833				
SEE PARTS BREAKDOWN UNDER P/N 5401552				
3	59528	WASHER SAFETY 24ID	32	F
4	5003069	L/WASHER, M24 GR10.9	32	
5	93557	C/SCR HH M24-3 X 45 G8.8	32	F

LF230 2007-193 Thru Current

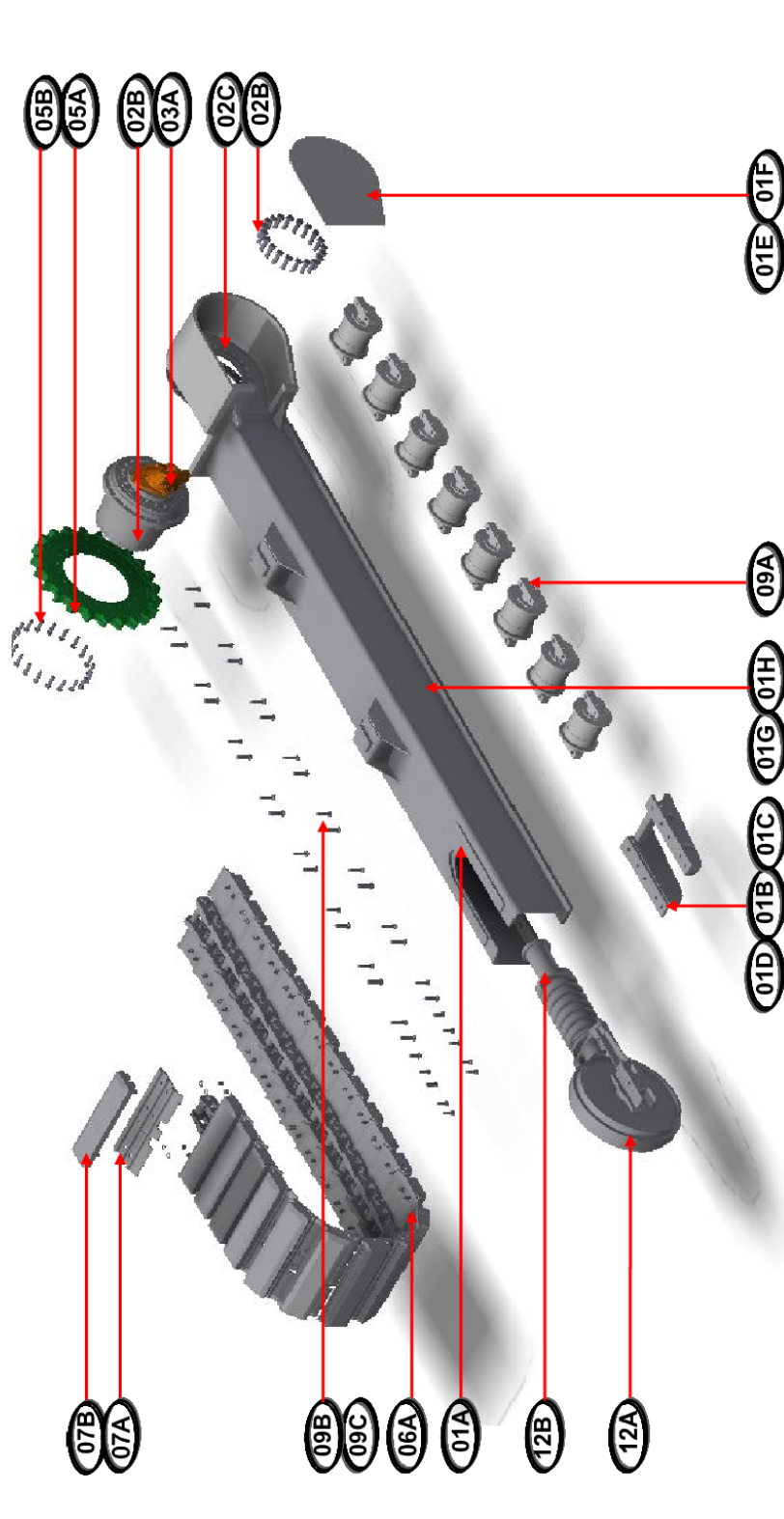
Copyright © 2019 Boart Longyear. All rights reserved.

Boart Longyear is constantly striving to improve its products and must therefore, reserve the right to change designs, materials, specifications and price without notice.



5401552 TRACK FRAME ASM

5401837 TRACK MOUNT, LF230



LF230 2007-193 Thru Current

Copyright © 2019 Boart Longyear. All rights reserved.

Boart Longyear is constantly striving to improve its products and must therefore, reserve the right to change designs, materials, specifications and price without notice.



Item	Part No.	Name	Qty	Service
REF	5401552	TRACK FRAME ASM, (BARE)	REF	D
Comments for Part Num. 5401552 BARE TRACKS NOT AVAILABLE WITHOUT MOUNTING PLATES - ORDER # 5401833				
2B	5404767	FINAL DRIVE, BREVINI CTU3200 LF230	REF	D
3A	5404766	MOTOR, TRACK FRAME LF230	REF	D
5A	5404768	SPROCKET, TRACK FRAME LF230	REF	D
6A	5404771	LINK ASM, TRACK FRAME LF230	REF	D
7A	5404770	SHOE, TRACK FRAME LF230	REF	D
9A	5404769	ROLLER, TRACK FRAME LF230	REF	D
12A	5404764	IDLER GRP, TRACK FRAME LF230	REF	D
12B	5404763	VALVE, TRACK ADJUSTER GREASE LF90D	REF	D
12C	5403899	COUPLER, GREASE GUN (FOR BUTTON HEAD TYPE FITTING)	REF	D
REF2	5404765	VALVE, MC TRACK FRAME LF230	REF	D

LF230 2007-193 Thru Current

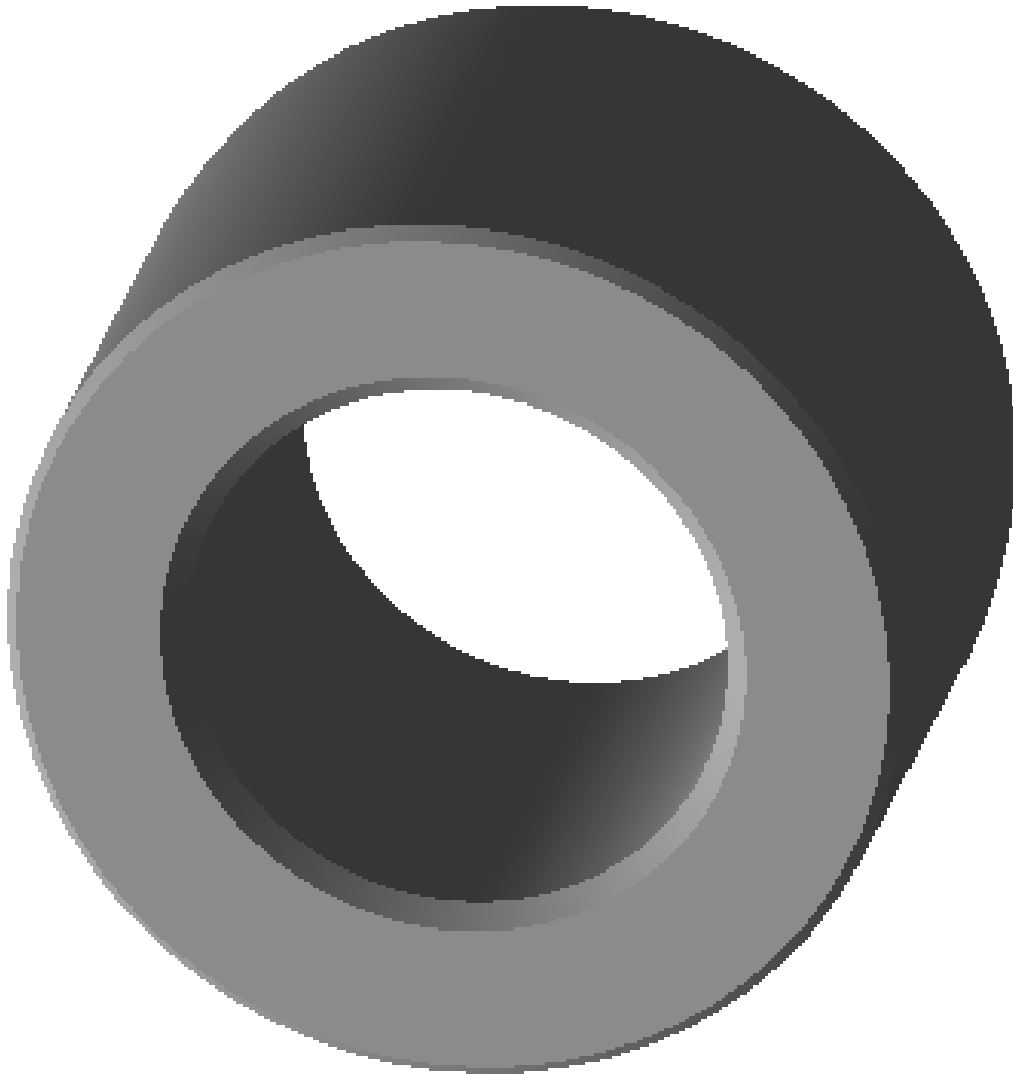
Copyright © 2019 Boart Longyear. All rights reserved.

Boart Longyear is constantly striving to improve its products and must therefore, reserve the right to change designs, materials, specifications and price without notice.



3546455M-F070 OC UPPER GUIDE BUSHING (5.06 SPINDLE)

CHUCK UPPER GUIDE BUSHING



LF230 2007-193 Thru Current

Copyright © 2019 Boart Longyear. All rights reserved.

Boart Longyear is constantly striving to improve its products and must therefore, reserve the right to change designs, materials, specifications and price without notice.



Item	Part No.	Name	Qty	Service
1	3546862	BUSHING, GUIDE UPPER BQ	1	B
2	3546861	BUSHING, GUIDE UPPER NQ	1	B
3	3546863	BUSHING, GUIDE UPPER HQ	1	B

LF230 2007-193 Thru Current

Copyright © 2019 Boart Longyear. All rights reserved.

Boart Longyear is constantly striving to improve its products and must therefore, reserve the right to change designs, materials, specifications and price without notice.



3548366-F050 OC PQ CHUCK JAW

PQ CHUCK JAWS



LF230 2007-193 Thru Current

Copyright © 2019 Boart Longyear. All rights reserved.

Boart Longyear is constantly striving to improve its products and must therefore, reserve the right to change designs, materials, specifications and price without notice.



Item	Part No.	Name	Qty	Service
1	3543494	JAW, BQ PQ-CHUCK	7	B
2	3543291	JAW, NQ PQ-CHUCK	7	B
3	3543290	JAW, HQ PQ-CHUCK	7	B
4	3543289	JAW, PQ PQ-CHUCK	7	B

LF230 2007-193 Thru Current

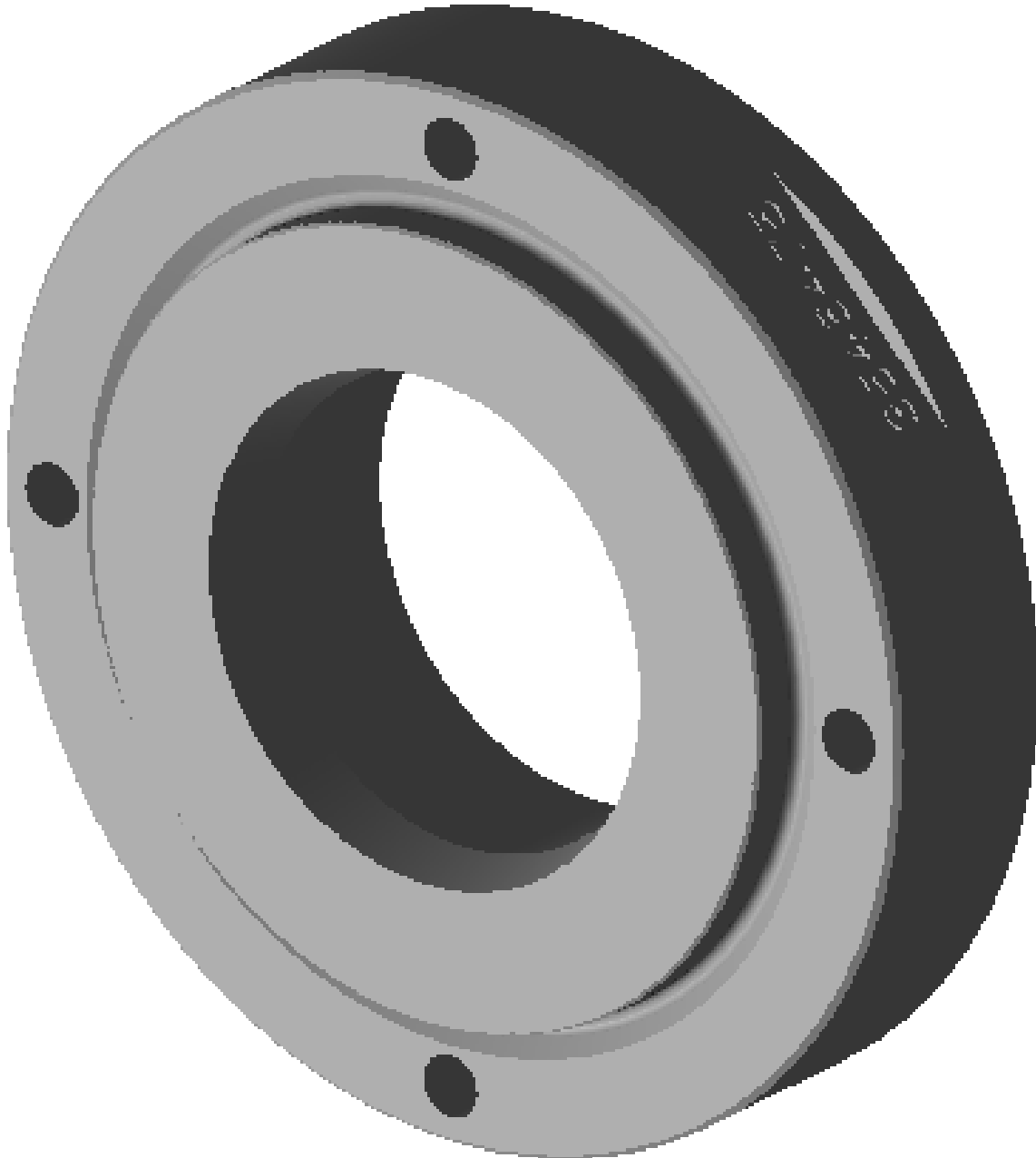
Copyright © 2019 Boart Longyear. All rights reserved.

Boart Longyear is constantly striving to improve its products and must therefore, reserve the right to change designs, materials, specifications and price without notice.



3546455M-F060 OC HEAD LOWER SPINDLE BUSHING (5.06 SPINDLE)

HEAD LOWER SPINDLE BUSHINGS



LF230 2007-193 Thru Current

Copyright © 2019 Boart Longyear. All rights reserved.

Boart Longyear is constantly striving to improve its products and must therefore, reserve the right to change designs, materials, specifications and price without notice.



Item	Part No.	Name	Qty	Service
1	3546867	BUSHING, BQ SPINDLE	1	B
2	3546475	BUSHING, NQ SPINDLE	1	B
3	3546476	BUSHING, HQ SPINDLE	1	B

LF230 2007-193 Thru Current

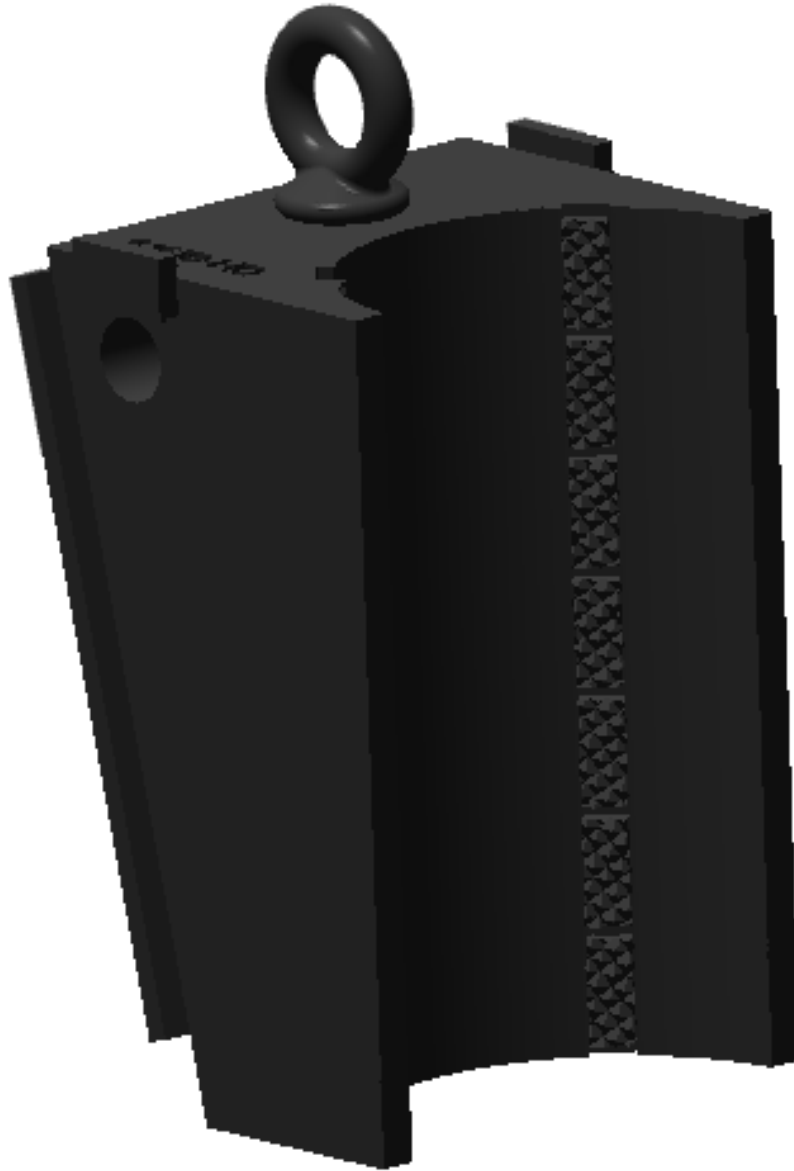
Copyright © 2019 Boart Longyear. All rights reserved.

Boart Longyear is constantly striving to improve its products and must therefore, reserve the right to change designs, materials, specifications and price without notice.



101752-F050 OC ROD CLAMP JAWS

ROD CLAMP SLIP SETS



LF230 2007-193 Thru Current

Copyright © 2019 Boart Longyear. All rights reserved.

Boart Longyear is constantly striving to improve its products and must therefore, reserve the right to change designs, materials, specifications and price without notice.



Item	Part No.	Name	Qty	Service
1	41614	JAW, SLIP BOT BQ FT CLAMP (41613 SET OF 2)	2	B
2	41616	JAW, SLIP BOT NQ FT CLAMP (41615 SET OF 2)	2	B
3	41618	JAW, SLIP BOT HQ FT CLAMP (41617 SET OF 2)	2	B
4	50240	JAW, SLIP HWT CSG (50241 SET OF 2)	2	B
5	3546644	JAW, SLIP PW CSG (3547272 SET OF 2)	2	B

LF230 2007-193 Thru Current

Copyright © 2019 Boart Longyear. All rights reserved.

Boart Longyear is constantly striving to improve its products and must therefore, reserve the right to change designs, materials, specifications and price without notice.



3546455M-F080 OC ROD SUPPORT BUSHING

ROD SUPPORT BUSHING



LF230 2007-193 Thru Current

Copyright © 2019 Boart Longyear. All rights reserved.

Boart Longyear is constantly striving to improve its products and must therefore, reserve the right to change designs, materials, specifications and price without notice.



Item	Part No.	Name	Qty	Service
Ref	3546455M-F080	OC ROD SUPPORT BUSHING	1	E
65	3544176	BUSHING, BQ ROD SUPPORT	1	B
66	3543132	BUSHING, NQ ROD SUPPORT	1	B
67	3543133	BUSHING, HQ ROD SUPPORT	1	B
68	3542596	BUSHING, PQ ROD SUPPORT	1	B

LF230 2007-193 Thru Current

Copyright © 2019 Boart Longyear. All rights reserved.

Boart Longyear is constantly striving to improve its products and must therefore, reserve the right to change designs, materials, specifications and price without notice.



101752-F040 OC MUDFUNNEL ADAPTER

101752-F040 OC MUDFUNNEL ADAPTER

**NO DRAWING
AVAILABLE
FOR THIS BOM**

LF230 2007-193 Thru Current

Copyright © 2019 Boart Longyear. All rights reserved.

Boart Longyear is constantly striving to improve its products and must therefore, reserve the right to change designs, materials, specifications and price without notice.



Item	Part No.	Name	Qty	Service
1	3546650	ADAPTER, BRQ MUDFUNNEL	1	D
2	3545366	ADAPTER, NQ MUDFUNNEL	1	D
3	3546196	ADAPTER, HQ MUDFUNNEL	1	D
4	3546204	ADAPTER, HWT MUDFUNNEL	1	D

LF230 2007-193 Thru Current

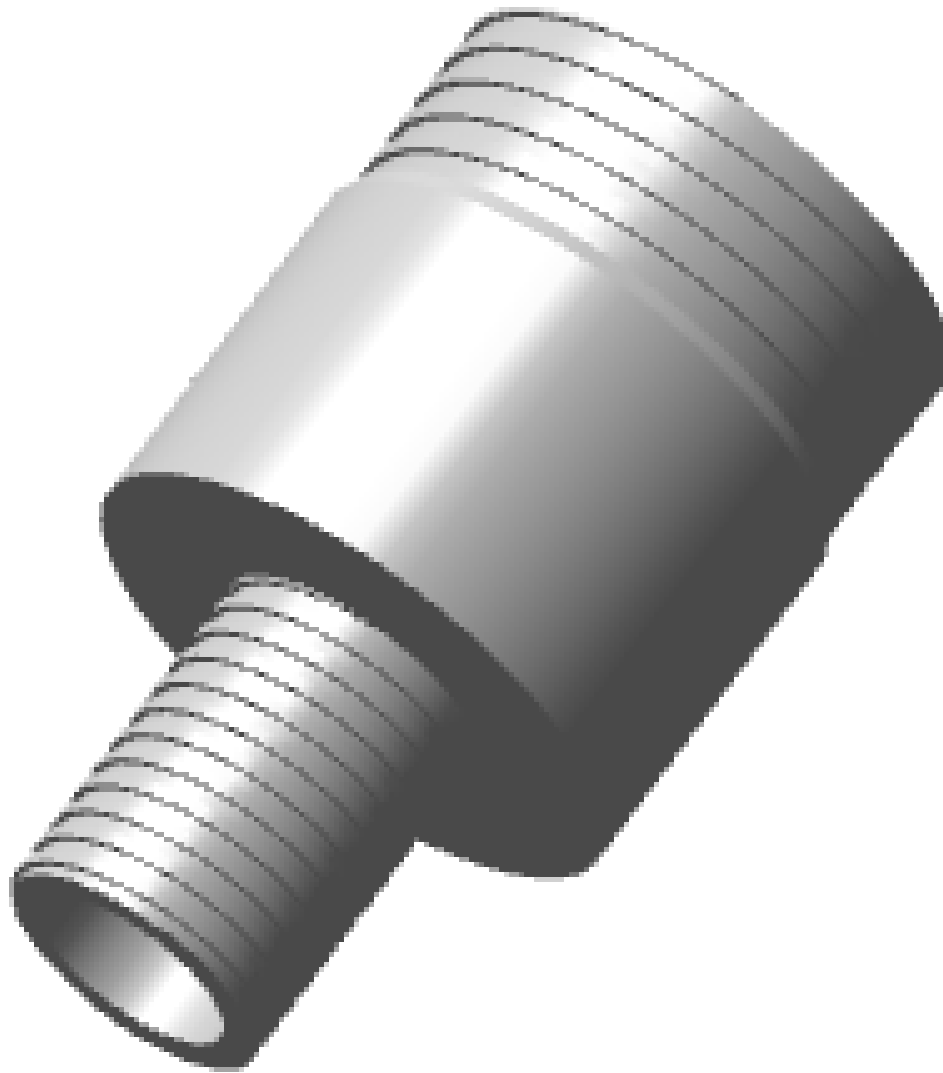
Copyright © 2019 Boart Longyear. All rights reserved.

Boart Longyear is constantly striving to improve its products and must therefore, reserve the right to change designs, materials, specifications and price without notice.



101752-F060 OC HOIST PLUG ADAPTER SUBS

101752-F060 OC HOIST PLUG ADAPTER SUBS



LF230 2007-193 Thru Current

Copyright © 2019 Boart Longyear. All rights reserved.

Boart Longyear is constantly striving to improve its products and must therefore, reserve the right to change designs, materials, specifications and price without notice.



Item	Part No.	Name	Qty	Service
1	3542883	SUB, NW R/P BRQ R/P BULLNOSE	1	B
2	3542934	SUB, NW R/P BQ R/P BULLNOSE	1	B
3	3542884	SUB, NW R/P NRQ R/P BULLNOSE	1	B
4	3542932	SUB, NW R/P NQ R/P BULLNOSE	1	B
5	3542885	SUB, NW R/P HRQ R/P BULLNOSE	1	B
6	3542933	SUB, NW R/P HQ R/P BULLNOSE	1	B
7	102912	SUB, NW R/P PHD/HWT R/P	1	B
8	3544177	SUB, NW R/P SHD/PWT R/P	1	B

LF230 2007-193 Thru Current

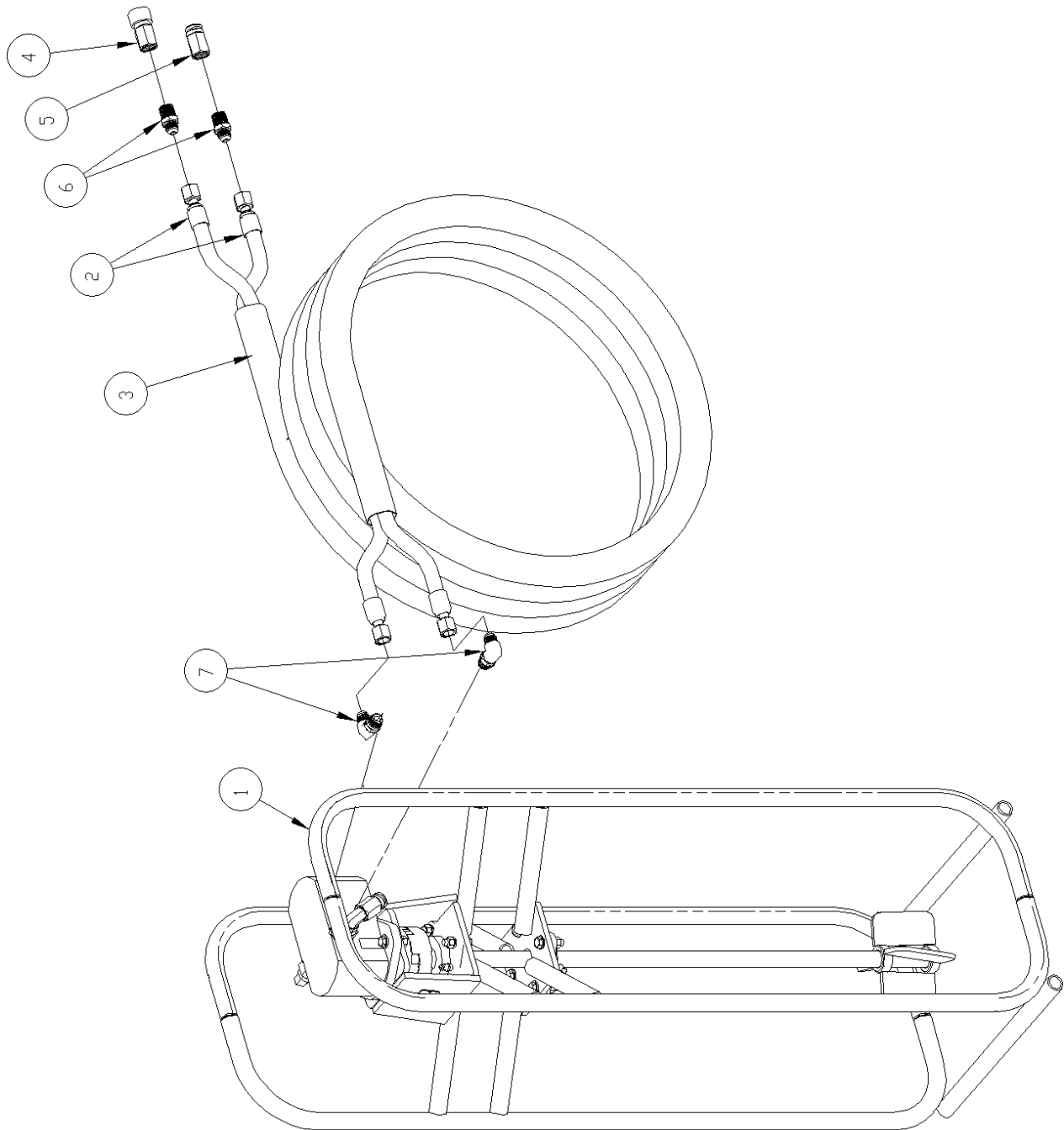
Copyright © 2019 Boart Longyear. All rights reserved.

Boart Longyear is constantly striving to improve its products and must therefore, reserve the right to change designs, materials, specifications and price without notice.



MUD MIXER GROUP

5405142 MUD MIXER GRP (OPTIONAL)



LF230 2007-193 Thru Current

Copyright © 2019 Boat Longyear. All rights reserved.

Boat Longyear is constantly striving to improve its products and must therefore, reserve the right to change designs, materials, specifications and price without notice.



Item	Part No.	Name	Qty	Service
1	102306	MUD MIXER, HYD PORTABLE	1	C
2	5405330	HOSE ASM, 1/2" ID X 25 FT	2	C
3	101871	SLEEVE, HOSE 2" ID x (LGTH. in FEET)	24	E
4	101536	COUPLER, QD 1/2 NPTF	1	F
5	101537	NIPPLE, QD 1/2 NPTF	1	F
6	18891	ADAP, HYD STR 8JIC 8NPTF	2	F
7	36457	ADAP, HYD 90 08JIC 08ORB	2	F

LF230 2007-193 Thru Current

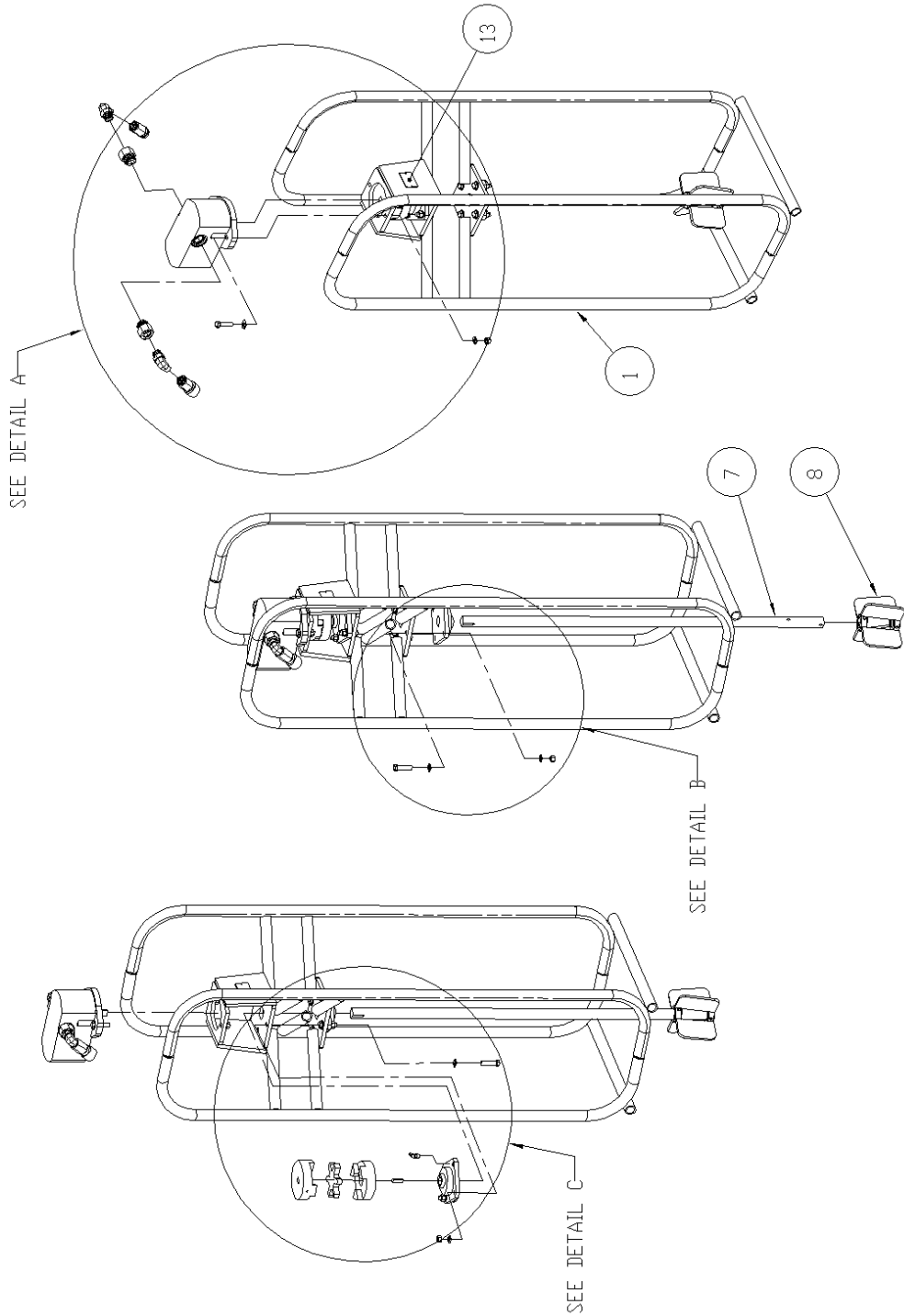
Copyright © 2019 Boart Longyear. All rights reserved.

Boart Longyear is constantly striving to improve its products and must therefore, reserve the right to change designs, materials, specifications and price without notice.



102306 MUD MIXER ASSEMBLY

5405142 MUD MIXER GRP (OPTIONAL)



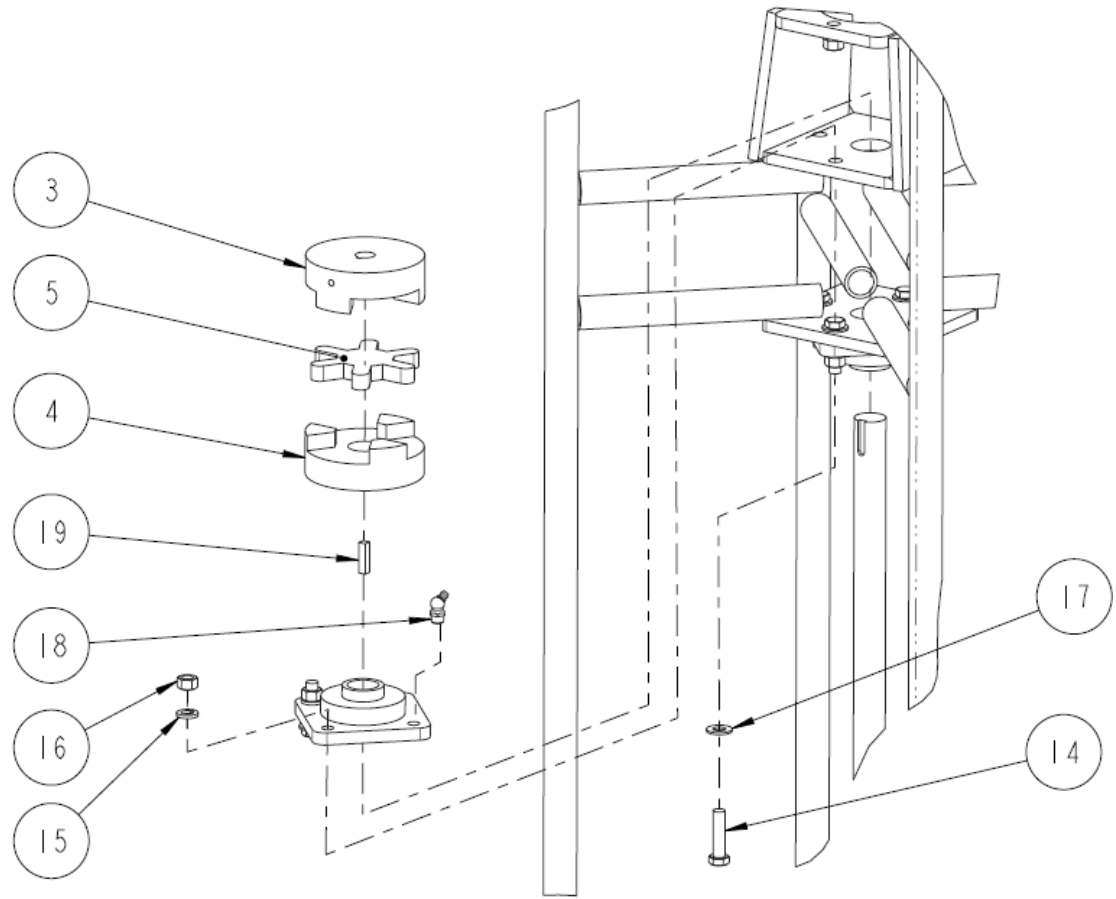
LF230 2007-193 Thru Current

Copyright © 2019 Boat Longyear. All rights reserved.

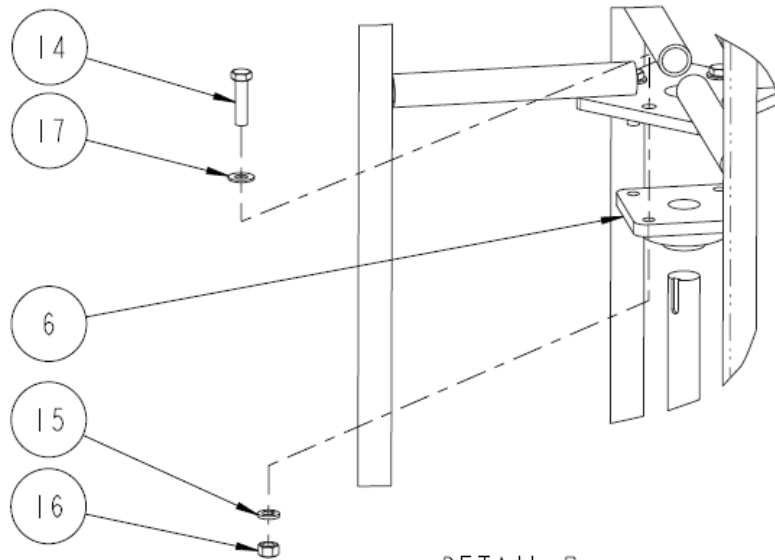
Boat Longyear is constantly striving to improve its products and must therefore, reserve the right to change designs, materials, specifications and price without notice.



102306 MUD MIXER ASSEMBLY



DETAIL C



DETAIL B

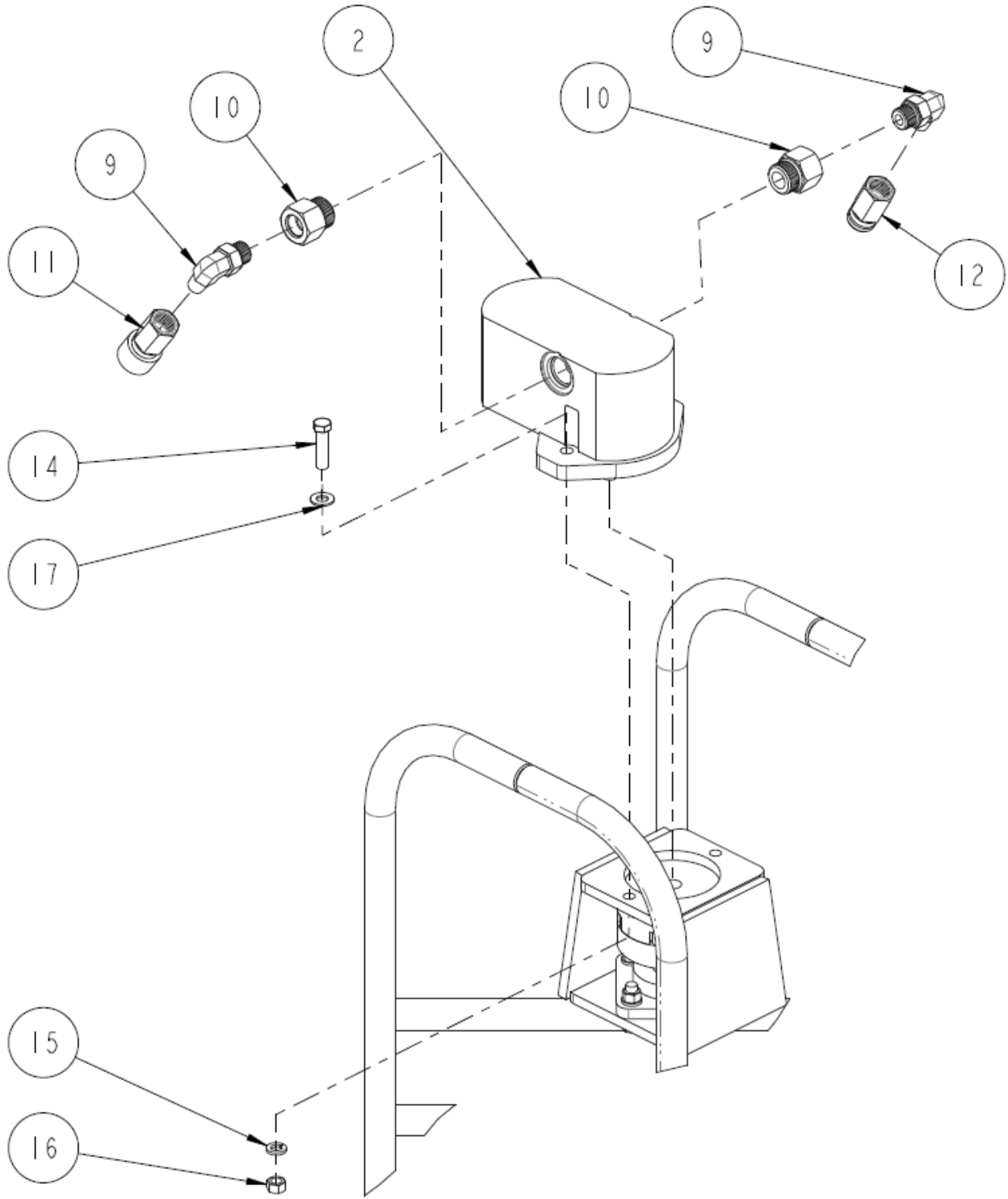
LF230 2007-193 Thru Current

Copyright © 2019 Boart Longyear. All rights reserved.

Boart Longyear is constantly striving to improve its products and must therefore, reserve the right to change designs, materials, specifications and price without notice.



102306 MUD MIXER ASSEMBLY



DETAIL A

LF230 2007-193 Thru Current

Copyright © 2019 Boat Longyear. All rights reserved.

Boat Longyear is constantly striving to improve its products and must therefore, reserve the right to change designs, materials, specifications and price without notice.



102306 MUD MIXER ASSEMBLY

Item	Part No.	Name	Qty	Service
1	101486	FRAME ASM, PORTABLE MUD MIXER	1	D
2	5402303	MOTOR, HYD MUD MIXER	1	C
Comments for Part Num. 5402303				
MOTOR SEAL KIT # 5402415 SHAFT SEAL # 3549579				
3	101557	CPLG, JAW 5/8 BORE	1	A
4	101490	CPLG, 1 JAW	1	A
5	101494	SPIDER, RUBBER	1	A
6	101493	BEARING, BALL FLANGE	2	B
7	101488	SHAFT, MUD MIXER	1	C
8	101492	PROPELLER ASM, MUD MIXER	1	C
9	102190	ADAP, HYD 90 8ORB x 8NPT	2	F
10	34214	ADAP, HYD STR 12ORB 8ORBF	2	F
11	101536	COUPLER, QD 1/2 NPTF	1	F
12	101537	NIPPLE, QD 1/2 NPTF	1	F
13	38298	PLATE, ASSEMBLY IDENTIFICATION	1	E
14	44536	C/SCR, HH 3/8 UNC X 1-1/2 G8	10	F
15	44520	L/WASHER, 3/8 SAE G8	10	F
16	44527	NUT, HEX 3/8 UNC G8	10	F
17	44859	WASHER, FLAT 3/8 SAE G8	2	F
18	19917	FITTING, GREASE 1/8 NPT 45 DEG	2	F
19	46152	KEY, 1/4 SQ X 1 LG	1	F

Comments for Page: 102306 MUD MIXER ASSEMBLY

MUD MIXER SPARES KIT # 102633

OLD MOTOR SPARES ARE AS FOLLOWS:

EATON MOTOR - 3549626 NO LONGER AVAILABLE

SEAL KIT 3549578

SHAFT SEAL 3549579

CROSS MOTOR - 101491 NO LONGER AVAILABLE

LF230 2007-193 Thru Current

Copyright © 2019 Boart Longyear. All rights reserved.

Boart Longyear is constantly striving to improve its products and must therefore, reserve the right to change designs, materials, specifications and price without notice.



102306 MUD MIXER ASSEMBLY

SEAL KIT 180133

SHAFT SEAL 96983

LF230 2007-193 Thru Current

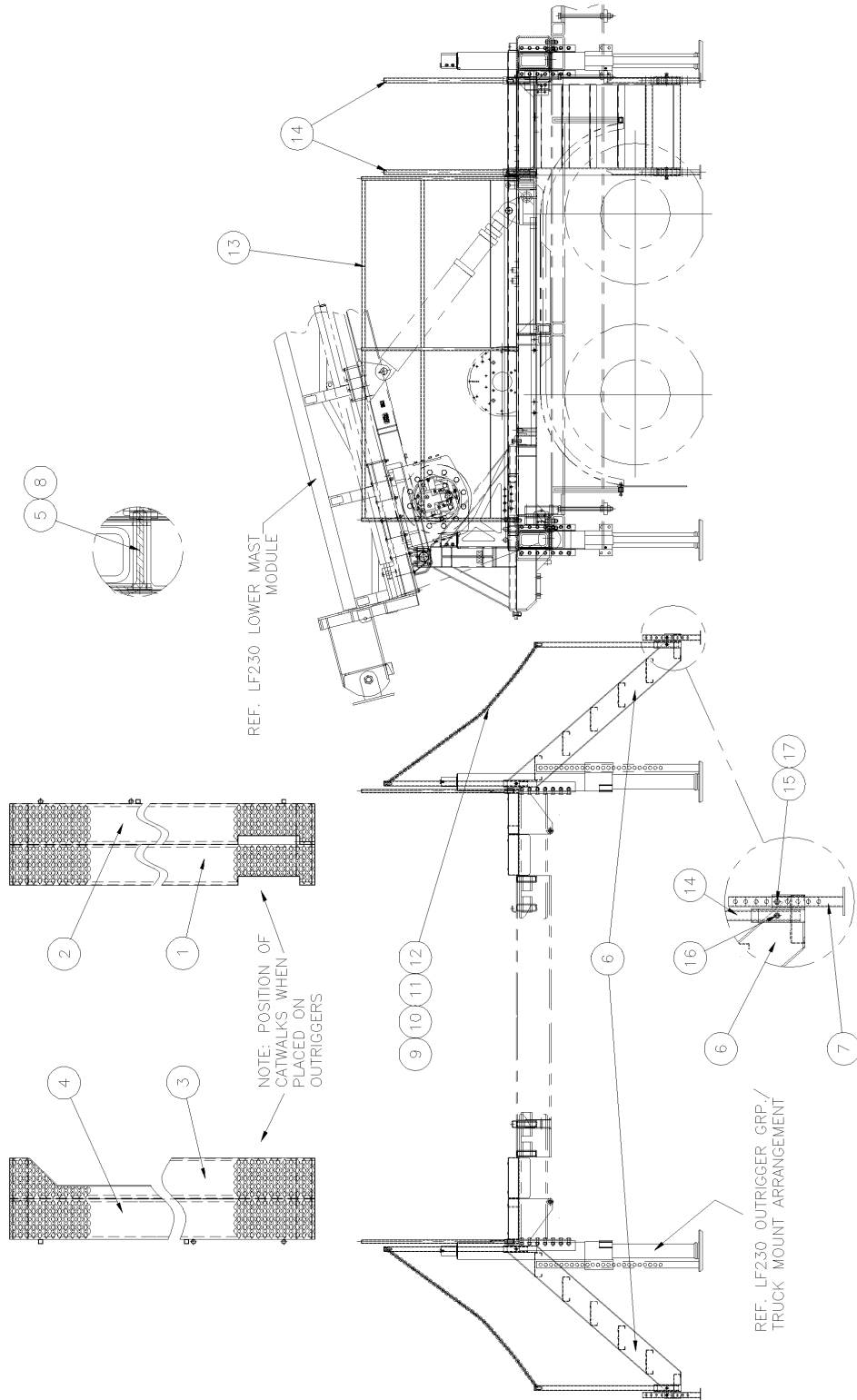
Copyright © 2019 Boart Longyear. All rights reserved.

Boart Longyear is constantly striving to improve its products and must therefore, reserve the right to change designs, materials, specifications and price without notice.



3546871 CATWALK GRP, STAIRS & RAILING PRIOR TO S/N 2010-065

CATWALK GRP, STAIRS & RAILINGS



LF230 2007-193 Thru Current

Copyright © 2019 Boart Longyear. All rights reserved.

Boart Longyear is constantly striving to improve its products and must therefore, reserve the right to change designs, materials, specifications and price without notice.



Item	Part No.	Name	Qty	Service
1	3543351	CATWALK, OUTRIGGER RIGHT SIDE	1	
2	3543352	CATWALK, OUTRIGGER RIGHT SIDE	1	
3	3546870	CATWALK, OUTRIGGER LEFT SIDE	1	
4	3546869	CATWALK, OUTRIGGER LEFT SIDE	1	
5	3543353	PIN, LOCKING CATWALK	4	D
6	3544094	STAIRS, CATWALK (DYNATEC)	2	D
7	3544114	SUPPORT LEG, STAIRS (DYNATEC)	4	D
8	102113	CLIP, HITCH PIN	4	F
9	24964	CHAIN, 1/4" (30.5" LONG QTY 2)	5.5	E
10	24964	CHAIN, 1/4" (30.5" LONG QTY 2)	5.5	E
11	24964	CHAIN, 1/4" (30.5" LONG QTY 2)	5.5	E
12	24964	CHAIN, 1/4" (30.5" LONG QTY 2)	5.5	E
13	3544153	RAILING, CATWALK LF140	2	
14	3544154	POST, RAILING (STAIRS) LF140	8	D
15	44532	C/SCR, HH 1/2 UNC X 2-3/4 G8	4	F
16	44513	C/SCR, HH 1/2 UNC X 1 G8	8	F
17	23936	L/NUT, NYLOK 1/2 UNC G8	4	F

LF230 2007-193 Thru Current

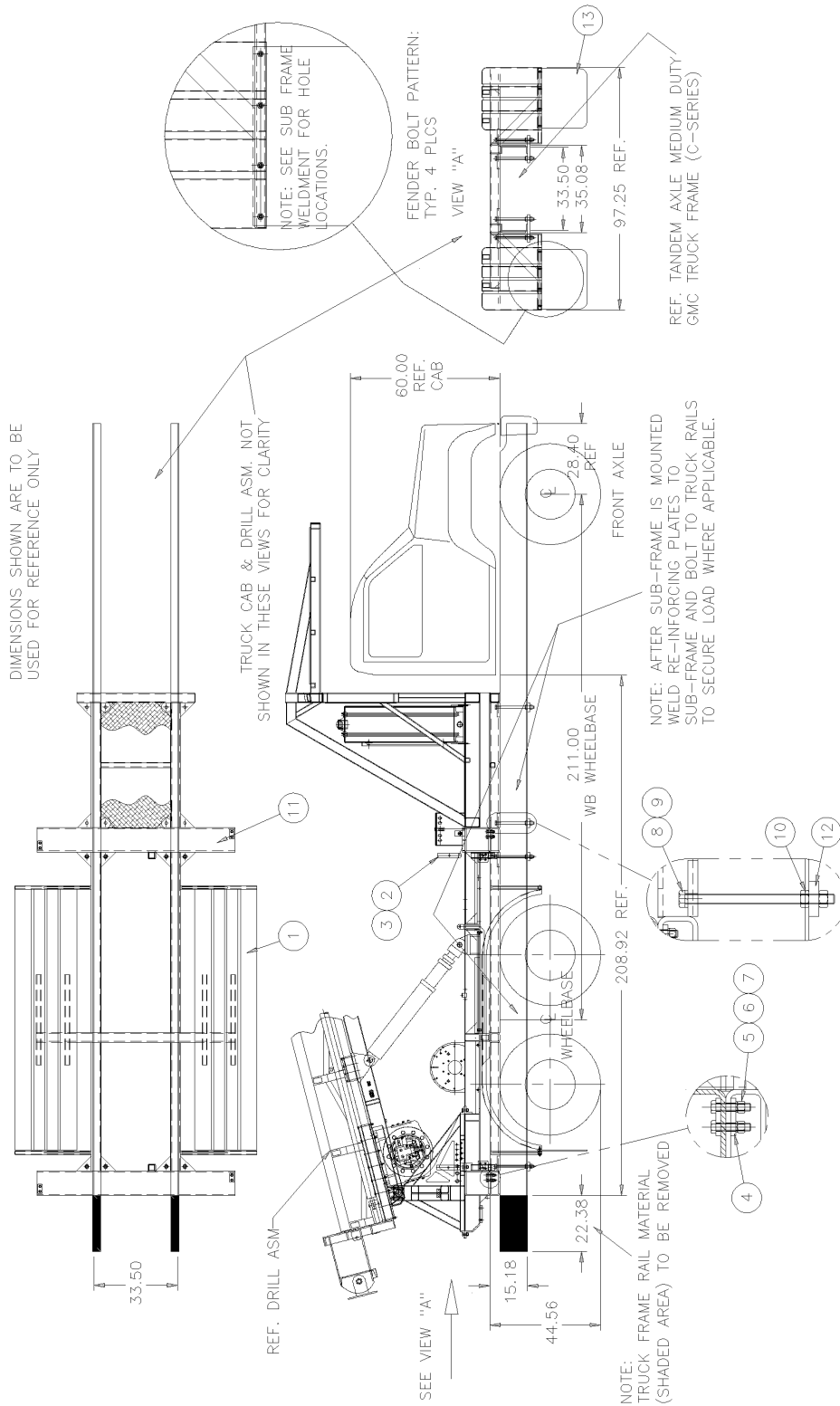
Copyright © 2019 Boart Longyear. All rights reserved.

Boart Longyear is constantly striving to improve its products and must therefore, reserve the right to change designs, materials, specifications and price without notice.



3542304 TRUCK MOUNT SUB-FRAME ASM PRIOR TO S/N 2010-065

3542304 TRUCK MOUNT SUB-FRAME ASM PRIOR TO S/N 2010-065



LF230 2007-193 Thru Current

Copyright © 2019 Boart Longyear. All rights reserved.

Boart Longyear is constantly striving to improve its products and must therefore, reserve the right to change designs, materials, specifications and price without notice.



Item	Part No.	Name	Qty	Service
1	3543104	FENDER, ALUMINUM	2	
2	3543256	PIN, BULL UNIVERSAL BASE FRAME	2	
3	3542351	PIN, BENT PULL 1/2 DIA	2	
4	3543273	SPACER, UNIVERSAL BASE FRAME	8	
5	37628	C/SCR, HH 3/4 UNC X 3-1/2	8	F
6	44523	L/WASHER, 3/4 SAE G8	8	F
7	44524	NUT, HEX 3/4 UNC G8	8	F
8	TBA	ENGINE PIPING GPR	16	
9	44575	L/WASHER, 1" SAE G8	16	F
10	44573	NUT, HEX 1" UNC G8	32	F
11	3546850	FRAME, SUB-BASE TRUCK	1	
12	3546851	PLATE, TRUCK MOUNT CLAMPING	8	
13	3546852	MUD FLAP, LF230 TRUCK MOUNT	2	

LF230 2007-193 Thru Current

Copyright © 2019 Boart Longyear. All rights reserved.

Boart Longyear is constantly striving to improve its products and must therefore, reserve the right to change designs, materials, specifications and price without notice.



LFTM 230 RECOMMENDED SPARES LIST

The following spare kits are recommended to help maximize your drilling up-time. Please contact your Boart Longyear sales representative for more information.



Drill Serial Number Range: LF230-2011-001 thru current

For Drill Build: DRILL MODULE, LF230 (3546455 Rev: L)
 Document Number: 5400781 Rev. C
 Effective Date: 1-May-2017

KIT SUMMARY

Level	1	2	3	Description	QTY	For Base Drill / Option
1	3547262			KIT, HYD MANIFOLD SPARES	1	Basic Drill Assembly (5003188)
1	5401433			KIT, W/L HOIST SPARES LF230	1	Basic Drill Assembly (5003188)
1	3546954			KIT, 40K BRADEN HOIST SPARES	1	Basic Drill Assembly (5003188)
1	5401479			KIT, LF230 CTRL PANEL SPARES	1	Basic Drill Assembly (5003188)
1	5401398			KIT, LF230 HYD FILTER 1000HRS	1	Basic Drill Assembly (5003188)
1	3547260			KIT, HYDRAULIC TANK SPARES	1	Basic Drill Assembly (5003188)
1	3547257			KIT, LOWER MAST SPARES	1	Basic Drill Assembly (5003188)
1	3548175			KIT, PARKER P3 SEAL	1	Basic Drill Assembly (5003188)
1	3547271			KIT, MAST SLIDE CYLINDER SEAL (DUMP)	1	Basic Drill Assembly (5003188)
1	3547259			KIT, CROWN BLOCK SPARES	1	Basic Drill Assembly (5003188)
1	3547258			KIT, PQ HEAD SPARES LF230	1	PQ Nitro Chuck™ Head (3546088)
1	3544255			VALVE ASM, LOCK LEVELING JACK	1	Hydraulic Leveling Jacks (3546719)
1	3544256			KIT, LOCK VALVE ASM SEAL	1	Hydraulic Leveling Jacks (3546719)
1	5401431			KIT, QSC8.3 TIER 3 FILTER 1000HRS	1	TIER 3 Engine / Pump Module (5003254)
1	5401432			KIT, QSC8.3 TIER 3 SPARES	1	TIER 3 Engine / Pump Module (5003254)
1	5401633			KIT, UPPER CONSOLE SPARES TIER 3	1	TIER 3 Engine / Pump Module (5003254)
1	5405223			KIT, QSL9.0 TIER 4i FILTER 1000 HRS	1	TIER 4i Engine / Pump Module (5405279)
1	5405517			KIT, QSL9.0 TIER 4i SPARES	1	TIER 4i Engine / Pump Module (5405279)
1	5405516			KIT, UPPER CONSOLE SPARES QSL9.0 TIER 4i	1	TIER 4i Engine / Pump Module (5405279)
1	102631			KIT, W11 SPARES	1	W11 Fluid Circulation Pump (3547029)
1	5401289			KIT, L09 PUMP MODULE SPARES	1	Diesel Powered Supply Pump (3670446)
1	102633			KIT, MUD MIXER PORTABLE SPARES	1	Portable Mud Mixer (102306)
1	3541118			KIT, MUD MIXER 250GAL SPARES	1	Mud Tank & Mixer (3540997)

Level 1 - Part numbers to order for a complete kit.

Level 2 & 3 - Part numbers represent the items included in complete kits. They are also available for individual purchase. (Some exceptions apply)

SPARES FOR BASIC DRILL ASSEMBLY - DETAIL

Level	1	2	3	Description	QTY	For Base Drill / Option
1	3547262			KIT, HYD MANIFOLD SPARES	1	Basic Drill Assembly (5003188)
2		3543401		VALVE, PRESS REDUCING	1	
2		100705		VALVE, 2 POS 3-WAY CARTRIDGE	1	
2		3543688		VALVE, REDUCING/RELIEVING	1	
2		3543297		CARTRIDGE, HYD CHECK	1	
2		97001		VALVE, CARTRIDGE	1	
2		97003		CARTRIDGE, RELIEF VALVE	1	
2		97004		VALVE, CARTRIDGE RELIEF	1	
2		97005		CARTRIDGE, NEEDLE VALVE	1	
2		97006		CARTRIDGE, VALVE SEQUENCE	1	
2		103329		CARTRIDGE, COUNTER BALANCE	2	
2		3547013		CARTRIDGE, SHUTTLE VALVE	1	
2		103316		VALVE, CARTRIDGE CHECK	1	
2		3543453		VALVE, PRESSURE REDUCING	1	
OTHER SERVICE PARTS						
1	3544255			VALVE ASM, LOCK LEVELING JACK	1	Hydraulic Leveling Jacks (3546719)
1	3544256			KIT, LOCK VALVE ASM SEAL	1	Hydraulic Leveling Jacks (3546719)
1	5000082			KIT, JACK CYL. REBUILD		
1	5401433			KIT, W/L HOIST SPARES LF230	1	Basic Drill Assembly (5003188)
2		89807		BEARING BALL 20ID	2	
2		3003914		CHAIN, 3/8P X 142P ROLLER	1	
2		3070409		BEARING, FLANGE 35ID Y-TYPE	2	
2		3070406		BRG, BALL DEEP GROOVE BALL	1	
OTHER SERVICE PARTS						
1	3069480			VALVE, SHUTTLE	1	
1	3070567			CARTRIDGE, COUNTERBALANCE	1	
1	3070718			CARTRIDGE, FLOW CTRL	1	



LFTM 230 RECOMMENDED SPARES LIST

The following spare kits are recommended to help maximize your drilling up-time. Please contact your Boart Longyear sales representative for more information.



1	3546942		KIT, 40K BRADEN HOIST SEAL	1	Basic Drill Assembly (5003188)
1	3547276		KIT, 40K M/L HOIST MOTOR SEAL	1	Basic Drill Assembly (5003188)



LFTM 230 RECOMMENDED SPARES LIST

The following spare kits are recommended to help maximize your drilling up-time. Please contact your Boart Longyear sales representative for more information.



SPARES FOR BASIC DRILL ASSEMBLY - DETAIL (continued)

Level	1	2	3	Description	QTY	For Base Drill / Option
1	3546954			KIT, 40K BRADEN HOIST SPARES	1	Basic Drill Assembly (5003188)
2		NA		WASHER, THRUST	1	
2		NA		WASHER, THRUST	6	
2		NA		ROLLER	51	
2		NA		SPIROL PIN	6	
2		NA		ROLLER	42	
2		NA		WASHER, THRUST	6	
2		NA		BEARING SPACER	3	
2		NA		BEARING CUP	6	
2		NA		BEARING CONE	6	
2		NA		ROLL PIN	3	
2		NA		FRICTION DISC	9	
2		NA		BRAKE DISC	9	
2		NA		SPRING	1	
2		NA		SIGHT GAUGE	1	
2		NA		BEARING CUP	1	
2		NA		BEARING CONE	1	
2		NA		HOSE ASSY	1	
2		NA		HOSE ASSY	1	
2		3547275		SPRAG CLUTCH ASSY	1	
2		NA		BEARING CUP	1	
2		NA		BEARING CONE	1	
2		NA		WASHER, THRUST	1	
2		NA		WASHER, THRUST	1	
2		5400938		ANCHOR, CABLE	1	
2		NA		SPHERIAL ROLLER BEARING	1	
2		NA		LOCKWASHER	4	
2		NA		CAPSCREW	4	
1	5401479			KIT, LF230 CTRL PANEL SPARES	1	Basic Drill Assembly (5003188)
2		3542112		SWITCH, SELECTOR 3 POSITION	1	
2		3540067		SWITCH, SELECTOR (2-POSITION)	1	
2		3549293		JOYSTICK, DANFOSS SAFETY	1	
2		3549307		JOYSTICK, PQ ROTATION C/W LOCK	1	
2		3541292		POTENTIOMETER, 1K	1	
2		3547298		BUTTON, EMERGENCY STOP PUSH	1	
2		3549308		SWITCH ASM, LF230 MAKE/BREAK	1	
2		3547303		BREAKER, 15 AMP	1	
2		3541330		BREAKER, 10AMP CIRCUIT	1	
2		3541331		BREAKER, 5AMP CIRCUIT	1	
2		3547302		BREAKER, 2 AMP	1	
2		3549445		CUBE, MAKE/BREAK CIRCUIT	1	
2		3548327		RELAY, 12VDC	1	
2		3547921		RELAY, TIMER	1	
2		3070513		RAMP GENERATOR, WIRELINE	1	
2		3070515		TIMER, DELAY ON RELEASE	1	
2		3549481		CONNECTOR, TURCK 4 PIN	4	
2		5003569		RELAY, 12VDC TERMINAL BLOCK	1	
2		5004309		RELAY, 12/24V TIMED	1	
2		5003459		CABLE, 2M LG MICRO M12	1	
2		3542393		CONNECTOR, ELECT DIN LED	1	
2		5003464		CONNECTOR, ELECT DIN MINI	1	
2		5003465		CONNECTOR, ELECT DIN MICRO	1	
1	5401398			KIT, LF230 HYD FILTER 1000HRS	1	Basic Drill Assembly (5003188)
2		100236		ELEMENT, HYD FILTER OIL RETURN (High Pressure)	4	
2		3542297		ELEMENT, MEDIUM PRESS FILTER (Head)	4	
2		100190		ELEMENT, SPIN-ON FILTER	3	
OTHER SERVICE PARTS						
1	5007295			INDICATOR, DIRTY FILTER (Head)	1	
1	3549185			INDICATOR, DIRTY FILTER (Return Filter)	1	
1	5405752			SEAL KIT, RETURN FILTER	1	
1	3547260			KIT, HYDRAULIC TANK SPARES	1	Basic Drill Assembly (5003188)
2		3548020		GAUGE, FLUID LEVEL	1	
2		100236		ELEMENT, HYD FILTER OIL RETURN	6	
OTHER SERVICE PARTS HYDRAULIC TANK						
1	96839			SEAL, 14" RESERVOIR COVER	1	
1	180146			WASHER, 5/8 CRUSH	1	



LFTM 230 RECOMMENDED SPARES LIST

The following spare kits are recommended to help maximize your drilling up-time. Please contact your Boart Longyear sales representative for more information.



SPARES FOR BASIC DRILL ASSEMBLY - DETAIL (continued)

Level	1	2	3	Description	QTY	For Base Drill / Option
1	3547257			KIT, LOWER MAST SPARES	1	Basic Drill Assembly (5003188)
2		3541889		SEAL KIT, TELESCOPIC CYLINDER (Mast Raise)	2	
2		3546115		SEAL KIT, HYDRAULIC CYLINDER (Feed)	2	
2		43021		SEAL KIT, HYD CYLINDER (Parker)	2	
2		3546617		WEAR STRIP, UPPER	2	
2		3546618		WEAR STRIP, CENTER	2	
2		3546619		WEAR STRIP, LOWER	2	
2		3546631		BUSHING, 1"ID 1-1/4"OD 1-1/2	1	
2		3546627		BUSHING, 1-1/4"ID 1-1/2 2"LG	2	
2		3541120		WEAR STRIP, TOP MAST SLIDE	2	
2		3541119		WEAR STRIP, BOTTOM MAST SLIDE	2	
2		3540670		WEAR STRIP,UPPER MAST SLIDE AS	2	
2		3540671		WEAR STRIP,LOWER MAST SLIDE AS	2	
2		3540783		WEAR STRIP, UPPER MAST RAISING	2	
2		3540786		WEAR STRIP, LOWER MAST RAISING	2	
OTHER SERVICE PARTS						
1	104864			CARTRIDGE, HYD CB 3:1	1	Used in Feed Cyliner
1	5404567			SEAL KIT, ROD SLIDE CYLINDER	1	
1	96770			KIT, CARTRIDGE SEAL	1	
1	5405754			SEAL KIT, ROD CLAMP CYLINDER (EATON)	1	
1	3548175			KIT, PARKER P3 SEAL	1	Basic Drill Assembly (5003188)
1	3547271			KIT, MAST SLIDE CYLINDER SEAL (DUMP)	1	Basic Drill Assembly (5003188)
1	3547259			KIT, CROWN BLOCK SPARES	1	Basic Drill Assembly (5003188)
2		3546732		SHEAVE ASM, LF230 CROWN BLOCK	1	
2		104141		SHEAVE, W/L 8" REWORK	2	
2		3547038		BEARING, DOUBLE SHEILD BALL	4	
1	3547258			KIT, PQ HEAD SPARES LF230	1	PQ Nitro Chuck™ Head (3546088)
2		3541832		SEAL KIT, PQ ROTATION MOTOR	1	
2		3543526		SEAL KIT, PQ N/CHUCK	1	
3			3543500	CUP SEAL, INNER URETHANE	1	
3			3543501	CUP SEAL, OUTER URETHANE	2	
3			3543502	CUP SEAL, PISTON URETHANE	1	
3			3543503	O'RING, PQ CHUCK SPINDLE	1	
3			3543505	O'RING, PQ CHUCK CYLINDER	1	
3			3543506	RING, BACK-UP PQ CHUCK CYLINDER	1	
3			3543508	SEAL, OIL GUIDE PIN	3	
3			3543519	O'RING, GAS SPRING PQ CHUCK	7	
2		5000405		SEAL KIT, PQ HEAD	1	
3			3547404	O-RING, SAE 237 BUNA-N 70D	1	
3			306487	SHIM, .005 THICK	3	
3			306488	SHIM, .007 THICK	3	
3			306489	SHIM, .020 THICK	1	
3			3548734	O-RING, SAE 276 VITON 75D	1	
3			3548735	O-RING, SAE 270 VITON 75D	1	
3			306599	SEAL, ID 5.75" OD 6.625" OIL	2	
3			306600	SEAL, ID 8.5" OD 9.75" OIL	2	
3			48761	O-RING, SAE 235 BUNA-N 70D	1	
3			3548736	O-RING, SAE 257 VITON 75D	2	
3			44766	WIRE, O.47 DIA SAFETY (TRAX6")	6 IN	
2		3541060		KIT, FUNK TRANS OVERHAUL	1	
3			95357	SLEEVE, BEARING	1	
3			95363	BEARING, 2ND,3RD CENTER SHFT	4	
3			3549020	BEARING, FUNK TRANS	1	
3			95365	BRG, REAR	1	
3			95367	ROLLER, 34 PER SET	34	
3			3541202	WASHER, PQ HEAD THRUST REWORK	1	
3			95372	BEARING,	1	
3			95377	GASKET,	2	
3			5402352	GREASE, COUPLING	1	
3			3546622	DISC, TRANSMISSION INTERLOCK	1	
3			3546620	SPRING, EXTRA HEAVY GREEN DIE	2	
3			95410	PIN, ROLL	4	
3			95413	PIN, ROLL	4	
3			95414	SEAL, OIL	2	
3			3540646	SEAL, RING FUNK TRANS LF140	1	
3			79792	PILOT, BEARING TRANS	1	
3			95418	BEARING, BALL	1	
3			95419	SPACER,	1	
3			95420	BEARING, FUNK TRANSMISSION	1	
3			95421	SNAP RING	1	
3			103281	SPACER, SHIM	6	
3			44766	WIRE, O.47 DIA SAFETY (TRAX6")	36 IN	
2		3547044		PUMP, HYD GEAR 4.92 LF230 PQ	1	
2		3546626		BUSHING, 1.25"ID 1.5"OD 1"LG	2	



LFTM 230 RECOMMENDED SPARES LIST

The following spare kits are recommended to help maximize your drilling up-time. Please contact your Boart Longyear sales representative for more information.



2		3549290		KIT, SPLINED ADAPTOR	1
2		306494		WEAR SLEEVE, OUTPUT	1
2		306602		SLEEVE, 5.75" DIA	2
2		3546752		SLEEVE, PQ SPINDLE WEAR	1
OTHER SERVICE PARTS					
1	3543498			Gas Spring Seal Kit (Old)	1
1	5405231			Gas Spring Seal Kit (New)	1
1	5404930			TOOL KIT, GAS SPRING SERVICE - (gas spring 5405230 & 3543497)	

Nitro Spring (3543497) (Service Tool 5404930)
 Nitro Spring (5405230) (Service Tool 5404930)



LF™ 230 RECOMMENDED SPARES LIST

The following spare kits are recommended to help maximize your drilling up-time. Please contact your Boart Longyear sales representative for more information.



SPARES FOR OPTIONAL EQUIPMENT - CUMMINS QSC 8.3 TIER 3 ENGINE

Level	1	2	3	Description	QTY	For Base Drill / Option
1	5401431			KIT, QSC8.3 Tier 3 FILTER 1000HRS	1	TIER 3 Engine / Pump Module (5003254)
2		3548440		FILTER, PRIMARY FUEL 3 MICRON	2	
2		3548470		SEPARATOR, QSB6.7 TIER 3 FUEL	2	
2		3548441		FILTER, LUBE OIL	4	
2		3548442		FILTER, COOLANT	2	
2		3548443		FILTER, INNER AIR	2	
2		3548444		FILTER, OUTER AIR	2	
OTHER SERVICE PARTS						
1		3070356		ELEMENT, SEPERATOR, WATER	1	Optional Racor Separator
1	5401432			KIT, QSC8.3 TIER 3 SPARES	1	TIER 3 Engine / Pump Module (5003254)
2		5401455		THERMOSTAT, QSC8.3 TIER3	1	
2		5000357		ALTERNATOR, CUMMINS QSC8.3 TIER III	1	
2		5400741		SUPPORT, FAN HUB ASM QSC8.3-P	1	
2		5401456		PUMP, TRANSFER FUEL QSC8.3	1	
2		5001979		HOSE, CHARGE AIR COOLER 4"ID	4	
2		5001983		CLAMP, HOSE 4" CAC	8	
2		3547358		STARTER, QSC CUMMINS ENGINE	1	
2		5401457		PUMP, WATER QSC8.3 TIER3	1	
2		5005191		FAN BELT, CUMMINS	1	
2		5401458		TENSIONER, BELT QSC8.3	1	
2		5001976		CLAMP, RAD HOSE #40	8	
2		5001981		HOSE, RAD LOWER	4	
2		5001977		CLAMP, RAD HOSE #10	2	
2		5401459		HOSE, FILL LINE 3/4 ID X 4 FT	1	
2		5401460		HOSE, VENT LINE 3/8 ID X 3 FT	1	
2		5401461		CLAMP, VENT LINE HOSE QSC8.3	2	
2		5401462		FUSE, 5 AMP TYPE 0	2	
2		5401463		FUSE, 15 AMP TYPE 0	2	
2		5401464		FUSE, 30 AMP TYPE 0	2	
2		3548592		ADAPTER, 14" NYLON FLYWHEEL	1	
1	5401633			KIT, UPPER CONSOLE SPARES QSC8.3 TIER 3	1	TIER 3 Engine / Pump Module (5003254)
2		5405236		MONITOR, CUMMINS ENGINE CONTROL TIER III	1	
2		3549103		INDICATOR, LED RED 10MM	1	
2		3549118		INDICATOR, YELLOW LED 10MM	1	
2		3549117		INDICATOR, BLUE LED 10MM	1	
2		3549234		KEY SWITCH, IGNITION	1	
2		3548165		GAUGE, ISOLATOR	1	
2		3548136		GAUGE, PRESSURE 0-3000 PSI BAR	1	
2		3548533		GAUGE, PRESSURE (0-1500 PSI)	1	
2		3548534		GAUGE, PRESSURE (0-5000 PSI)	1	
2		3549489		SWITCH, SPDT MOMENTARY	1	
2		3549488		SWITCH, SPST	1	
2		3549490		SWITCH,DPDT MOMENTARY	1	
2		3547373		THROTTLE CONTROL, MANUAL ENGINE	1	
2		3549485		SWITCH, SPST	1	
OTHER SERVICE PARTS						
1	3547283			KIT, PVP33 ROXROTH PUMP SEAL	1	TIER 3 Engine / Pump Module (5003254)
1	3547284			KIT, PVP3 ROXROTH PUMP SEAL	1	TIER 3 Engine / Pump Module (5003254)
1	3540345			SEAL KIT, HYD PUMP 19CC	1	TIER 3 Engine / Pump Module (5003254)
1	5405512			DRIVE COUPLING, PUMP P3	1	TIER 3 Engine / Pump Module (5003254)
1	5405513			DRIVE COUPLING, PUMP P33	1	TIER 3 Engine / Pump Module (5003254)

SPARES FOR BASIC DRILL ASSEMBLY - DETAIL (continued)

Level	1	2	3	Description	QTY	For Base Drill / Option
1	102631			KIT, W11 SPARES	1	W11 Fluid Circulation Pump (3547029)
2		100625		COUPLING HUB, 1" BORE	1	
2		100627		INSERT, COUPLING	1	
2		102136		COUPLING HUB, 1.5 BORE	1	
2		19163		GAUGE, PRESSURE	1	
2		36686		SPARE PARTS KIT, BEAN W1122B	1	
3			79321	SEAL, OIL	6	
3			79103	LINER, CYL CERAMIC / STEEL	3	
3			75070	GASKET, CYL JOINT	3	
3			75071	GASKET, HEAD CYL COPPER	24	
3			79324	SEAT, W11 VALVE	6	
3			26157	BALL, 1 1/8 SS	6	
3			75069	GASKET, VALVE COVER COPPER	12	
3			79606	PACKING, W11 CARBOX & POLY/COT	12	
3			75012	NUT, PACKING	3	
3			79327	O-RING, PACK HOLDER	3	
OTHER SERVICE PARTS						



LFTM 230 RECOMMENDED SPARES LIST

The following spare kits are recommended to help maximize your drilling up-time. Please contact your Boart Longyear sales representative for more information.



1	75045		GASKET, PUMP CASE COVER (16 HOLE)	1	Note bolt pattern hole quantity (Old Pump - confirm)
1	3548244		GASKET, W11 WATER PUMP COVER (18 HOLE)	1	Note bolt pattern hole quantity (Current Build)
1	3544481		SEAL KIT, MOTOR	1	W11 Fluid Circulation Pump (3547029)



LFTM 230 RECOMMENDED SPARES LIST

The following spare kits are recommended to help maximize your drilling up-time. Please contact your Boart Longyear sales representative for more information.



SPARES FOR BASIC DRILL ASSEMBLY - DETAIL (continued)

Level	1	2	3	Description	QTY	For Base Drill / Option
1	5401289			KIT, L09 PUMP MODULE SPARES	1	Diesel Powered Supply Pump (3670446)
2		19163		GAUGE, PRESSURE	1	
2		36685		KIT, 420/520 L09 PUMP SPARES	1	
3			79321	SEAL, OIL	6	
3			79066	CYLINDER, CERAMIC STEEL BACKED	3	
3			75066	GASKET, CYL NITRILE	3	
3			75068	GASKET, CYL HEAD NITRILE	24	
3			79614	SEAT, L09 VALVE	6	
3			25307	BALL, 7/8" S/S	6	
3			75067	GASKET, VALVE COVER NITRILE	12	
3			79607	PACKING, L09 CARBOX & POLY/COT	12	
3			75012	NUT, PACKING	3	
3			79327	O-RING, PACK HOLDER	3	
3			79335	HOLDER, 2-1/4 CYL SEAL	3	
2		3670443		BELT, DRIVE	1	
1	102633			KIT, MUD MIXER PORTABLE SPARES	1	Portable Mud Mixer (102306)
2		101557		CPLG, JAW 5/8 BORE	1	
2		101494		SPIDER, RUBBER	1	
2		101490		CPLG, 1 JAW	1	
2		96770		KIT, CARTRIDGE SEAL	1	
2		96653		KIT, PLATE SEAL	1	
OTHER SERVICE PARTS						
1	3549578			KIT, MUD MIXER MOTOR SEAL (Eaton Motor)	1	
1	3549579			SHAFT SEAL, MUD MIXER MOTOR (Eaton Motor)	1	
1	3541118			KIT, MUD MIXER 250GAL SPARES	1	Mud Tank & Mixer (3540997)
2		3548491		MOTOR, HYDRAULIC MUD MIXER	1	
2		34424		HUB, WOODS MODEL 6/J	1	
2		34425		HUB, WOODS MODEL 6/J	1	
2		34426		INSERT, COUPLING	2	
2		3540349		SHAFT, ARBOR (MUD MIXER)	1	
2		20324		BEARING, THRUST	4	
2		3540353		SEAL, GREASE	6	
2		34949		RETAINING RING,	4	

SPARES DETAIL FOR PQ CHUCK JAWS & BUSHINGS, FOOTCLAMP SLIP JAWS

Level	1	2	3	Description	QTY	For Base Drill / Option
1	3544188			JAW SET, BQ JAWS PQ CHUCK	1	PQ Nitro Chuck™ Head
2		3543494		JAW, BQ PQ-CHUCK	7	
1	3543471			KIT, NQ JAWS PQ CHUCK	1	PQ Nitro Chuck™ Head
2		3543291		JAW, NQ PQ-CHUCK	7	
1	3543472			KIT, HQ JAWS PQ CHUCK	1	PQ Nitro Chuck™ Head
2		3543290		JAW, HQ PQ-CHUCK	7	
1	3543473			KIT, PQ JAWS PQ CHUCK JAW	1	PQ Nitro Chuck™ Head
2		3543289		JAW, PQ PQ-CHUCK	7	
1	3546862			BUSHING, GUIDE UPPER BQ	1	PQ Nitro Chuck™ Head (5.06 inch Spindle)
1	3546861			BUSHING, GUIDE UPPER NQ	1	PQ Nitro Chuck™ Head (5.06 inch Spindle)
1	3546863			BUSHING, GUIDE UPPER HQ	1	PQ Nitro Chuck™ Head (5.06 inch Spindle)
1	3546867			BUSHING, BQ SPINDLE SPECIAL (LOWER - SPINDLE TO ROD)	1	PQ Head (5.06 inch Spindle)
1	3546475			BUSHING, NQ SPINDLE SPECIAL (LOWER - SPINDLE TO ROD)	1	PQ Head (5.06 inch Spindle)
1	3546476			BUSHING, HQ SPINDLE SPECIAL (LOWER - SPINDLE TO ROD)	1	PQ Head (5.06 inch Spindle)
1	41613			SLIP SET, BQ ROD AW CSG BOT	1	3540273 Clamp Assembly
2	41614			JAW, SLIP BOT BQ FT CLAMP	2	
1	41615			SLIP SET, NQ ROD BW CSG BOT	1	3540273 Clamp Assembly
2	41616			JAW, SLIP BOT NQ FT CLAMP	2	
1	41617			SLIP SET, HQ ROD NW CSG BOT	1	3540273 Clamp Assembly
2	41618			JAW, SLIP BOT HQ FT CLAMP	2	
1	50241			SLIP SET, HWT CSG / PQ ROD	1	3540273 Clamp Assembly
2	50240			JAW, SLIP HWT CSG	2	
1	3547272			SLIP SET, PW CSG	1	3540273 Clamp Assembly
2	3546644			JAW, SLIP PW CSG	2	



LFTM 230 RECOMMENDED SPARES LIST

The following spare kits are recommended to help maximize your drilling up-time. Please contact your Boart Longyear sales representative for more information.



SPARES FOR OPTIONAL EQUIPMENT - CUMMINS QSL 9.0 TIER 4i ENGINE

Level	1	2	3	Description	QTY	For Base Drill / Option
1	5405223			KIT, QSL9.0 TIER 4i FILTER 1000 HRS		TIER 4i Engine / Pump Module (5405279)
2		5405228		ELEMENT, SECONDARY AIR	2	
2		5405229		ELEMENT, PRIMARY AIR	2	
2		3548442		FILTER, ENGINE COOLANT	2	
2		5405227		FILTER, FUEL SEPARATOR	2	
2		5405224		ELEMENT, ENGINE CRANKCASE BREATHER	2	
2		3548440		FILTER, PRIMARY FUEL 3 MICRON	2	
2		3548441		FILTER, ENGINE OIL	4	
1	5405517			KIT, QSL9.0 TIER 4i SPARES		TIER 4i Engine / Pump Module (5405279)
2		5405498		FAN, ENGINE BLOWER 30 IN	1	
2		5405499		ALTERNATOR, CUMMINS QSL 9 L 12VDC	1	
2		5405501		THERMOSTAT, CUMMINS QSL 9L	1	
2		5405502		BELT, V RIBBED	1	
2		5405503		TENSIONER, BELT	1	
2		5405504		STARTER, QSL 9L 12VDC	1	
2		5405505		WATER PUMP, CUMMINS QSL 9 L	1	
2		5405506		SENSOR, COOLANT LEVEL	1	
2		5405507		RADIATOR, C/W CHARGE AIR COOLER QSL 9 L	1	
2		5401463		FUSE, 15 AMP TYPE 0	2	
2		5401464		FUSE, 30 AMP TYPE 0	2	
1	5405518			Pump 2 Shaft Seal	1	TIER 4i Engine / Pump Module (5405279)
1	5405519			Pump 3 Shaft Seal	1	TIER 4i Engine / Pump Module (5405279)
1	5405516			KIT, UPPER CONSOLE SPARES QSL9.0 TIER 4i	1	TIER 4i Engine / Pump Module (5405279)
2		5405235		DISPLAY, ENGINE MURPHY	1	
2		3549234		KEY SWITCH, IGNITION	1	
2		5405280		SWITCH ASM, 3 POSITION	1	
2		5405283		BUTTON ASM, GREEN	1	
2		5405285		SWITCH ASM, 2 POSITION	1	
2		5405287		LIGHT ASM, RED	1	
2		5405290		SWITCH ASM, 4 POSITION	1	
2		5405292		SWITCH ASM, 3 POSITION	1	
2		5003569		RELAY, 12VDC DIN MOUNTED	1	
2		3541330		BREAKER, 10 A	1	
2		3547303		BREAKER, 15 AMP	1	
OTHER SERVICE PARTS						
1		3548136		GAUGE, PRESSURE 0-3000 PSI BAR	1	Remove?
1		3548533		GAUGE, PRESSURE (0-1500 PSI)	1	Remove?
1		3548534		GAUGE, PRESSURE (0-5000 PSI)	1	Remove?



Appendix B:Parts Index

100184	164	103243	93
100226	50	103281	120
100229	50	103289	237
100230	50	103316	20
100231	50	103329	22, 51
100290	239	103330	51
100327	99	103457	154
100608	51	103825	156
100705	50	103968	37
100975	150	104024	154
100996	239	104101	51
101420	3	104141	156
101486	272	104171	156
101488	272	104245	72
101490	272	104293	41
101492	272	104477	56
101493	272	104552	237
101494	272	104586	156
101531	94	104847	72
101536	268, 272	14570	202
101537	268, 272	16634	99, 150, 156
101557	272	17121	150, 202
101581	237	17273	99
101664	50	17447	107, 111, 135, 215, 219, 221
101871	268	17944	209
101878	50	17958	2, 26
102017	239	18183	207
102113	275	18208	205
102166	126, 129, 131	18891	268
102190	272	18922	209
102229	2	19033	94
102231	156	19141	94
102306	268	19155	37
102525	70	19325	202
102803	93	19906	215
102806	135	19917	272
102912	266	19972	94
102935	153	20720	209
102955	8, 93, 116, 133, 150, 156	21063	209
102957	133	21393	93
103010	116	21837	211
103146	127	21841	211
		22079	99



22179	211	3003911	32
22811	93	3003914	32
22915	187	3003916	32
22918	246	3003926	32
23183	202	3003981	2
23936	275	3004168	231, 233
24307	219	3004180	233
24313	211	3004181	233
24587	135	3004185	233
24964	275, 275, 275, 275	3004186	233
25464	41	3004187	233
25470	54	3004188	233
26046	72, 93	3004189	233
26157	206	3004192	233
28020	202	3004194	233
28051	99, 119	3004326	32
28097	207	3004331	32
28281	141	3004373	233
28917	59, 94	306143	241
29737	215	306220	51, 192
3000557	32	306283	3, 82
3003856	26	306466	98
3003857	26	306468	98
3003858	26	306469	102
3003859	26	306473	98
3003860	24	306474	98
3003861	26	306475	98
3003862	32	306476	98
3003867	32	306477	98
3003868	32	306479	98
3003869	32	306481	98
3003870	24	306482	98
3003871	32	306483	98
3003872	26	306484	98
3003873	26	306487	98
3003877	32	306488	98
3003894	26	306489	98
3003895	32	306492	102
3003897	32	306493	98
3003898	32	306494	104
3003899	32	306585	98
3003908	32	306587	98
3003909	32	306588	102



306589	102	34081	202
306590	98	34099	99
306592	98	34123	94
306593	98	34197	202
306594	99	34198	41
306597	102	34214	272
306599	99	34347	235
306600	99	34569	95
306603	99	3540005	102
306604	99	3540014	82, 93, 146
306606	99	3540049	135
306608	99	3540054	99, 114
3069480	29	3540055	92
3070406	26	3540067	65
3070407	32	3540261	156
3070409	32	3540273	133
3070423	26	3540275	133
3070513	65	3540280	133
3070514	65	3540387	10
3070515	65	3540433	98, 102
3070567	29	3540626	94
3070718	29	3540627	94
3071120	26	3540628	94
31185	122, 139	3540635	92
31188	93	3540641	119
32556	41	3540642	119
33065	94	3540645	119
33087	41	3540646	120
33108	54	3540648	99
33171	94	3540665	131
33214	54, 94	3540666	131
33477	94	3540670	8
33504	94	3540671	8
33648	237	3540682	41
33680	94	3540722	70
33681	51	3540724	185
33749	93, 180, 182, 191, 192	3540735	126
33791	94	3540775	141
33794	54, 94	3540776	141
33879	146, 237	3540777	141
33884	246	3540778	141
34056	99	3540783	8
34075	94	3540784	8



3540786	8	3542116	8
3540822	57, 150, 166	3542252	241
3540830	150	3542264	116
3540832	150	3542265	116
3540833	150	3542266	116
3540856	116	3542296	73
3540861	150	3542351	277
3541047	185	3542422	224
3541119	2	3542423	224
3541120	2	3542425	224
3541154	122, 139	3542426	224
3541155	139	3542427	224
3541156	122, 139	3542428	224
3541157	122, 139	3542429	224
3541158	139	3542442	120
3541161	82	3542446	6
3541202	120	3542595	137
3541214	82, 146	3542596	262
3541238	154	3542598	137
3541257	95	3542600	133
3541297	93	3542628	153
3541317	70	3542629	153
3541330	65, 199	3542650	153
3541331	65	3542651	153
3541367	162	3542680	153
3541598	224	3542685	153
3541599	4, 180, 182	3542686	153
3541601	224	3542687	153
3541651	73	3542693	153
3541761	114	3542694	153
3541834	2	3542733	153
3541835	2	3542794	153
3541838	120	3542883	266
3541839	120	3542884	266
3541887	2	3542885	266
3541893	150	3542899	219
3541895	150	3542900	219, 221
3541910	94	3542901	219
3542075	116	3542902	219, 221
3542076	116	3542903	219, 221
3542079	116	3542904	219
3542080	116	3542914	219, 221
3542112	65	3542932	266



3542933	266	3543496	107, 112
3542934	266	3543499	107, 111
3542936	221	3543500	107, 111
3543104	277	3543501	107, 111
3543118	8	3543502	107, 111
3543119	8	3543503	107, 111
3543132	262	3543505	107, 111
3543133	262	3543506	107, 111
3543140	150	3543507	107, 112
3543208	137	3543508	107, 112
3543210	137	3543509	107, 111
3543236	150	3543510	107, 111
3543252	137	3543514	107, 111
3543256	277	3543515	107, 111
3543259	3	3543519	107, 111
3543273	277	3543521	107, 112
3543281	202	3543524	107, 112
3543282	202	3543668	14
3543289	112, 256	3543688	51
3543290	112, 256	3543693	51
3543291	112, 256	3543694	50
3543297	51	3543774	108
3543332	156	3543811	51
3543350	224	3543876	108
3543351	275	3543918	154
3543352	275	3543931	235
3543353	275	3543963	50
3543377	154	3544067	2
3543400	56	3544094	275
3543401	59	3544095	224
3543402	59	3544096	224
3543406	2	3544113	92
3543447	156	3544114	275
3543453	20	3544140	164
3543471	108	3544153	275
3543472	108	3544154	275
3543473	108	3544176	262
3543478	107, 111	3544177	266
3543479	107, 111	3544182	2
3543480	107, 111	3544183	2
3543481	107, 111	3544188	108
3543490	107	3544189	150
3543494	112, 256	3544239	51



3544240	51	3546391	126
3544241	51	3546401	180, 182
3544252	51	3546455M-F080	262
3544262	51	3546464	126
3544263	51	3546475	258
3544264	51	3546476	258
3544270	51	3546490	153
3544271	51	3546491	153
3544272	50	3546492	209, 211
3544273	50	3546493	211
3544275	50	3546494	211
3544318	70	3546495	211
3544479	202	3546538	14
3544544	241	3546603	82
3545064	2	3546604	126
3545102	82, 93	3546605	126
3545152	12	3546606	82
3545366	264	3546607	141
3546028	47	3546608	126
3546045	12	3546609	126
3546081	107, 111	3546610	126
3546083	107, 111	3546611	129
3546084	107, 111	3546612	131
3546085	98	3546614	129
3546087	92, 98	3546615	126
3546088	82, 92	3546616	129
3546100	126	3546617	129, 131
3546118	79	3546618	126
3546119	153	3546619	126
3546120	154	3546620	120
3546189	154	3546622	120
3546191	2	3546627	129
3546196	264	3546631	129
3546204	264	3546633	129, 131
3546205	82	3546634	126
3546206	2	3546636	126
3546259	150	3546637	126
3546266	153	3546639	126
3546273	133	3546640	126
3546315	2	3546641	126
3546386	2	3546642	126
3546388	10	3546643	126
3546390	10	3546644	260



3546646	133	3546769	162
3546647	92	3546789	150
3546648	122	3546791	150
3546649	2	3546799	50
3546650	264	3546800	47
3546683	8	3546802	51
3546684	8	3546804	51
3546688	92	3546805	51
3546689	92	3546809	213
3546690	92	3546810	217
3546691	92	3546811	217
3546694	92	3546812	217
3546695	92	3546820	82
3546696	92	3546850	277
3546697	92	3546851	277
3546708	92	3546852	277
3546709	116	3546860	133
3546710	116	3546861	108, 254
3546712	98	3546862	108, 254
3546713	99	3546863	108, 254
3546714	98	3546867	258
3546719	79	3546869	275
3546720	4	3546870	275
3546722	164, 191	3546873	93
3546726	164, 191	3546874	114
3546729	37	3546888	51
3546730	37	3546890	3
3546732	156	3546892	224
3546733	158	3546893	4
3546735	158	3546894	4
3546736	158	3546900	47
3546737	158	3546918	70
3546738	156	3546919	70
3546739	156	3546922	47
3546740	153	3546936	72
3546741	156	3546937	70
3546742	156	3546939	70
3546743	156	3546940	70
3546752	104	3546943	70
3546756	98, 104	3546944	70
3546762	162	3546945	70
3546764	162	3546950	70
3546765	162	3546951	70



3546959	47	3548035	166, 168
3546962	47	3548036	166
3546984	47	3548039	166, 191
3546985	47	3548047	2
3546987	47	3548100	70
3547007	47	3548136	56, 191
3547008	47	3548141	202, 209
3547012	20	3548150	95
3547013	20	3548165	56
3547014	12	3548244	205
3547029	202	3548327	65
3547038	156	3548351	166, 191
3547044	92	3548356	166
3547274	14	3548410	65
3547275	14	3548445	148
3547298	65	3548497	8
3547302	65	3548498	8
3547303	65, 199	3548505	168
3547313	92	3548506	8
3547340	56, 65	3548507	8
3547347	172, 196	3548512	39
3547349	172, 196	3548533	56
3547350	172	3548534	56
3547353	172, 196	3548540	56
3547358	170	3548541	61
3547373	56	3548542	61
3547425	37	3548556	61
3547469	150	3548582	217
3547470	37	3548592	164, 191
3547477	150	3548593	164, 191
3547565	107, 112	3548628	239
3547581	164	3548734	98
3547602	72	3548735	98
3547603	72	3548736	99
3547605	72	3548809	120
3547703	2	3549005	148
3547707	12	3549020	119
3547769	126	3549103	56
3547792	56	3549117	56
3547920	65	3549118	56
3547921	65	3549183	148
3548020	72	3549184	148
3548033	166	3549185	73



3549186	148	36431	61, 248
3549187	148	36452	54, 94
3549196	41	36457	94, 237, 268
3549222	56	36458	94
3549234	56, 199	36463	180, 182, 191
3549237	3	36465	248
3549249	41	36469	94
3549251	72	36478	94
3549252	70	36491	41
3549272	172, 196	36511	122, 139
3549278	65	36514	122, 139, 246
3549284	3	36516	122, 139
3549285	54	36596	99
3549286	180, 182	3670327	205
3549287	72	3670370	205
3549293	65	3670508	205
3549304	70	36960	26, 41, 94, 248
3549307	65	36967	26, 41
3549308	65	36980	94, 180, 182, 191
3549314	120	36993	93
3549425	56	36996	59
3549445	65	36998	94
3549446	65	37000	54
3549447	65	37015	41, 54, 61, 146, 180, 182
3549448	65	37628	277
3549455	45	37757	146, 237
3549456	174	37839	54
3549457	174	38045	99
3549458	174	38298	2, 202, 272
3549462	174	38975	191
3549463	174	39168	215
3549464	174	39169	215
3549481	65	39170	215
3549485	56	39171	215
3549488	56	39172	215
3549489	56	39511	29
3549490	56	39572	99, 108, 112
3549548	56	39690	41, 54, 94, 237
3549549	202	39911	94
3549567	95	40012	93, 192
35895	237	40082	135
36400	146	40096	135
36404	237	40237	59



40393	94	44547	131, 156
40965	215	44550	93
41614	260	44551	99, 248
41616	260	44552	4, 48, 148
41618	260	44557	47, 70
41621	135	44560	72
43008	135	44566	57, 127
43072	94	44567	4, 48, 56
43516	246	44569	2, 127
44302	29	44570	108, 112
44505	3, 116, 133, 246	44573	153, 277
44508	2	44575	153, 277
44509	47	44576	3
44510	3, 99, 156, 164, 192, 202, 224	44578	129
44512	4, 37, 45, 70, 119, 126, 154, 192	44582	154
44513	129, 131, 275	44585	93, 116
44514	14, 202, 224	44593	39, 45, 82, 93, 153
44516	2	44595	48, 156
44517	3, 93, 127, 154	44600	148
44518	4, 48, 56, 73	44610	116
44519	47, 150, 248	44611	3, 154
44520	3, 37, 39, 45, 48, 56, 72, 82, 93, 126, 148, 150, 154, 156, 162, 164, 180, 182, 272	44612	93, 127, 133
44521	3, 14, 48, 72, 99, 120, 126, 129, 154, 164, 180, 182, 202, 224, 235	44619	153
44522	14, 153, 202, 224	44621	3, 70, 131, 154, 180, 182, 192, 235
44523	3, 93, 116, 127, 133, 154, 156, 164, 277	44624	153
44524	3, 127, 133, 154, 277	44630	93
44525	4, 8, 48, 70, 72, 93, 116, 133, 150, 154, 156, 202, 206, 235	44631	48, 73
44526	206, 224	44636	2
44527	45, 48, 70, 82, 93, 150, 156, 162, 187, 192, 272	44638	70
44529	206	44640	120, 150, 154
44530	4, 48, 93, 126, 129, 164, 180, 182, 206	44641	8
44531	3, 12, 108, 112	44643	14
44532	133, 153, 275	44645	153
44533	3	44651	3, 116
44536	12, 48, 70, 93, 164, 180, 182, 272	44659	48
44538	99, 150	44660	48, 164
44539	137	44661	99
44540	57	44668	3
44541	192	44680	93
44543	126	44707	192
44544	202	44727	57
		44748	2, 14, 82, 93, 164, 192
		44766	99, 120



44771	57, 135, 166, 192	5000551	41
44859	4, 12, 37, 39, 45, 48, 56, 70, 150, 180, 182, 187, 192, 272	5000566	77
44881	141	5000581	14
44954	135	5001470	45
45676	98, 217	5001471	45
45767	93, 164, 192	5001555	56
45784	120	5001560	57
45867	48	5001561	56
45906	120	5001562	56
46074	116	5001563	57, 166
46087	48, 56, 73, 127	5001565	47
46088	116	5001566	47
46091	4, 127, 192, 246	5002389	41
46093	116	5002546	41
46096	120	5002547	41
46099	3	5002665	43
46102	99	5002666	43
46124	70	5002674	120
46152	272	5002864	162
46510	3, 47, 70, 148, 248	5003069	250
46527	14, 108, 112	5003255	160
46749	72	5003256	160
46755	4	5003259	168
47226	108, 112	5003260	168
47234	166	5003387	127
47528	8	5003388	131
47568	131	5003419	79, 82
47595	150	5003452	172, 196
47843	72	5003453	172, 196
48653	133	5003454	172, 196
48761	98	5003455	172, 196
49229	99	5003456	172, 196
49370	129	5003470	18
5000157	2	5003471	18
5000314	73	5003474	65
5000318	164, 191	5003475	65
5000327	146	5003481	18
5000333	2	5003498	12
5000357	170	5003500	178
5000379	47, 180, 182	5003501	65
5000483	180, 182	5003510	12
5000497	54	5003511	12
5000550	41	5003515	172, 196



5003523	233	5007235	3
5003554	146	50229	135
5003557	172	50240	260
5003568	146	50392	237
5003569	65, 199	51784	148
5003574	146	5305846	135
5003583	146	5400248	26
5003594	148	5400249	26
5003623	148	5400321	146
5003668	221	5400438	56
5003861	18	5400750	54
5003972	233	5400938	14
5003978	213	5401431	170
5004295	18	5401432	170
5004296	18	5401455	170
5004298	18	5401457	170
5004309	65	5401458	170
5004349	164, 191	5401462	170
5004353	213	5401463	170, 194
5004354	221	5401464	170, 194
5004355	221	5401547	243
5004454	41	5401552	252
5004467	32	5401556	243
5004470	32	5401629	180, 182
5004473	41	5401691	47
5004480	41	5401833	250
5004497	41	5401834	250
5004508	41	5401837	246, 250
5004509	41	5401957	135
5004510	41	5402303	272
5004511	41	5402352	120
5004531	41	5402618	95
5004532	41	5402676	65
5005191	170	5402737	172, 196
5005505	95	5402748	4
5006702	98	5402768	4
5006866	3	5402852	158
5006871	3	5402885	246
5007033	3	5402886	246
5007060	3	5402910	172, 196
5007173	2	5403090	246
5007174	3	5403096	47
5007175	3	5403098	248



5403120	246	5404800	92, 111
5403148	135	5404855	104
5403411	135	5404902	82
5403424	14	5404906	185
5403458	135	5404933	95
5403865	248	5404972	196
5403897	92	5405035	196
5403899	252	5405104	185
5404013	172, 196, 246	5405128	170
5404014	172, 196, 246	5405149	92
5404015	172, 196, 246	5405176	185
5404025	246	5405223	194
5404297	82	5405230	107, 111
5404298	82	5405235	199
5404315	246	5405237	185
5404317	93	5405278	199
5404326	111	5405280	199
5404327	93	5405283	199
5404329	92	5405285	199
5404330	92	5405287	199
5404368	246	5405290	199
5404380	16	5405292	199
5404383	191	5405330	268
5404396	191	5405360	196
5404397	191	5405363	196
5404714	65	5405364	196
5404751	32	5405375	196
5404752	32	5405376	196
5404754	35	5405379	196
5404755	35	5405391	187
5404756	32	5405392	187
5404757	35	5405393	187
5404763	252	5405394	191
5404764	252	5405395	191
5404765	252	5405396	191
5404766	252	5405397	191
5404767	252	5405398	191
5404768	252	5405399	185
5404769	252	5405400	185
5404770	252	5405401	185
5404771	252	5405402	185
5404788	135	5405403	185
5404793	70	5405404	185



5405405	185	62541	26
5405406	185	62904	116
5405407	185	63159	120
5405423	199	63261	95
5405427	93, 185	63262	146
5405498	194	63283	95
5405499	194	63684	206
5405501	194	67186	215
5405502	194	67187	215
5405503	194	67321	215
5405504	194	67322	215
5405505	194	67324	215
5405506	194	67325	215
5405507	194	67605	18, 146
5405536	95	67628	215
5405537	95	67631	215
5405538	95	68838	32, 246
5405539	95	68839	32
5405540	95	68861	233
5405541	95	68863	32, 246
5405542	95	68865	248
5405627	65	68886	33, 233
5405628	185	68889	233
5405629	187	68890	26
5405637	70	68918	33
5405672	166	68919	146
5406025	243	68921	26, 146, 148
5406235	211	68922	26
5406383	224	68928	33
5406603	202	68934	33
560034	92	68953	33
57401	18	75003	206
58938	26	75012	206
59510	32	75019	207
59528	250	75022	207
60058	70	75027	206
60093	51	75032	205
60483	95	75033	205
60831	191	75037	206
60899	205	75041	207
61048	94	75042	207
62281	95	75043	205
62481	141	75044	205



75045	205	87560	33
75062	206	88111	215
75069	206	89726	33
75070	206	89733	32
75071	206	89738	33
75072	205	89807	32
75076	205	89877	33
75077	205	89878	33
78541	206	93019	33
78547	205	93114	41, 246, 248
78810	150	93115	26
79081	205	93116	146, 148
79101	206	93125	233
79103	206	93126	4, 33
79105	205	93127	4, 33, 233, 246, 248
79108	205	93128	26, 33, 146, 233
79112	206	93129	26, 33, 146, 148
79113	205	93130	26, 33
79114	205	93158	18
79116	205	93168	26
79120	205	93187	146
79121	205	93199	4
79122	205	93232	26
79123	205	93236	26
79320	205	93247	18
79321	205	93249	233
79322	206	93250	4, 246
79323	206	93251	4, 18, 33, 41, 233, 246, 248
79324	206	93252	26, 192, 233
79325	206	93253	18, 146, 148
79326	205	93256	18
79327	206	93280	192
79333	207	93340	246
79334	206	93341	33, 146
79606	206	93346	18
79792	120	93359	4
79882	206	93360	233
79904	205	93363	26, 33
81777	33	93375	4, 33
8500435	241	93557	250
85271	26	94411	207
86514	33	94598	26
87171	33	95356	119



95357 119
95358 119
95359 119
95360 119
95361 119
95362 119
95363 119
95365 119
95366 119
95367 119
95369 119
95370 119
95371 119
95372 119
95389 120
95390 120
95402 119
95403 119
95405 119
95406 119
95407 119
95409 119
95410 119
95411 119
95413 119
95414 119
95418 120
95419 120
95420 120
95421 120
96398 119
NOPARTNUMBER 6, 6, 6, 6, 6, 6
NPPA 29
SEE BELOW 137
TBA 277